

HAYMAN REESE
PART No: 03186RW
TOYOTA LANDCRUISER 70 SERIES CL4
INSTALLATION INSTRUCTIONS

PLEASE ENSURE THAT INSTRUCTIONS ARE UNDERSTOOD PRIOR TO FITMENT
PLACE THESE INSTRUCTIONS IN THE VEHICLE'S GLOVEBOX AFTER INSTALLATION IS COMPLETED



Installation Time: Approx. 60 Mins

Towbar Installation Instructions

Towbar capacity

TOYOTA LANDCRUISER 70 SERIES CL4

Part Number 03186RW	Max Towing Braked	3500 kg
	Max Towing Unbraked	750 kg
	Max Static Ball Load	350 kg

Tail Harness Length Required: 1200mm

RPA Override Switch Part No: 04848 (If Fitted)

Hayman Reese (Cequent)
PO Box 4050, Dandenong South VIC 3164
Phone 1800 812 017 Email info@haymanreese.com.au

www.haymanreese.com.au



HAYMAN REESE

PART No: 03186RW

TOYOTA LANDCRUISER 70 SERIES CL4

INSTALLATION INSTRUCTIONS

PLEASE ENSURE THAT INSTRUCTIONS ARE UNDERSTOOD PRIOR TO FITMENT
PLACE THESE INSTRUCTIONS IN THE VEHICLE'S GLOVEBOX AFTER INSTALLATION IS COMPLETED

Warning:

1. Do not, drill, cut, weld or otherwise modify the towbar.
2. If you are using electric welding on a motor vehicle, **always** check that the vehicle is not equipped with electronic engine or instrument management equipment. Failure to do so could **destroy** any on board computers. If in doubt, check with the vehicle's manufacturer.
3. If TBM is used in inverted position tow ball may make contact with rear tailgate when lowered, which could cause damage.

General:

1. Ensure all hardware items have been included refer to assembly diagram.
2. It is recommended that the instructions are read through and completely understood before making any attempt to fit this product.
3. Be wary of any changes to vehicle designs or other accessories that may conflict with the installation of this product.
4. Before drilling ensure that the area is clear of fuel, electrical & other components.
5. All holes drilled into the body panels shall have all burrs & swarf removed then coated with a suitable rust preventative paint.
6. The high tensile fasteners supplied with this product were used to achieve the specified rating. If replacement is required ensure that fasteners of the same rating & quality are used. Contact an authorised **Hayman Reese** dealer if further information is required.
7. Ensure that all hardware is fastened to torque list below check fasteners on regular basis.
8. Towbar load rating sticker provided with this product shall be conspicuously located on inside rear end of the driver's door. **(See diagram below).**
9. Hayman Reese recommends that you check your tow ball to ensure that it complies with the Australian standards **AS 4177.2**.
10. **PLEASE NOTE:** It is advised to remove your LUG or TBM when not actually towing so as to produce a clear view of the vehicles registration plate if obscured, and to also provide maximum available departure angle.

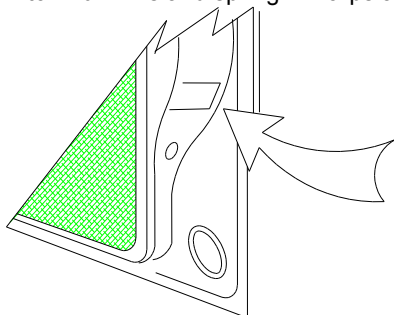
Tow bar Maintenance and Care.

Hayman Reese recommends that bolt torque's, as listed below, are routinely and regularly inspected and checked for correct tension. Replace any worn or defective parts.

We recommended to remove Tow Ball Mounts (TBM's, tongues or lugs) when not being used for any considerable length of time.

So as to avoid injury, when not towing it is suggested that the tongue, Pull Pin and R-clip are removed then stored in a safe, clean and dry place, away from excessive moisture.

Hitch Pull Pins and spring "R" clips are regularly checked for proper installation. Replace any worn or defective parts.



Place load rating sticker
inside driver's door here

FOR TOWING PURPOSES ONLY
For towing capacity details please refer to vehicle
owner's manual or to the manufacturer. Overloading can
void your warranties.

Hayman Reese (Cequent)
PO Box 4050, Dandenong South VIC 3164
Phone 1800 812 017 Email info@haymanreese.com.au

www.haymanreese.com.au



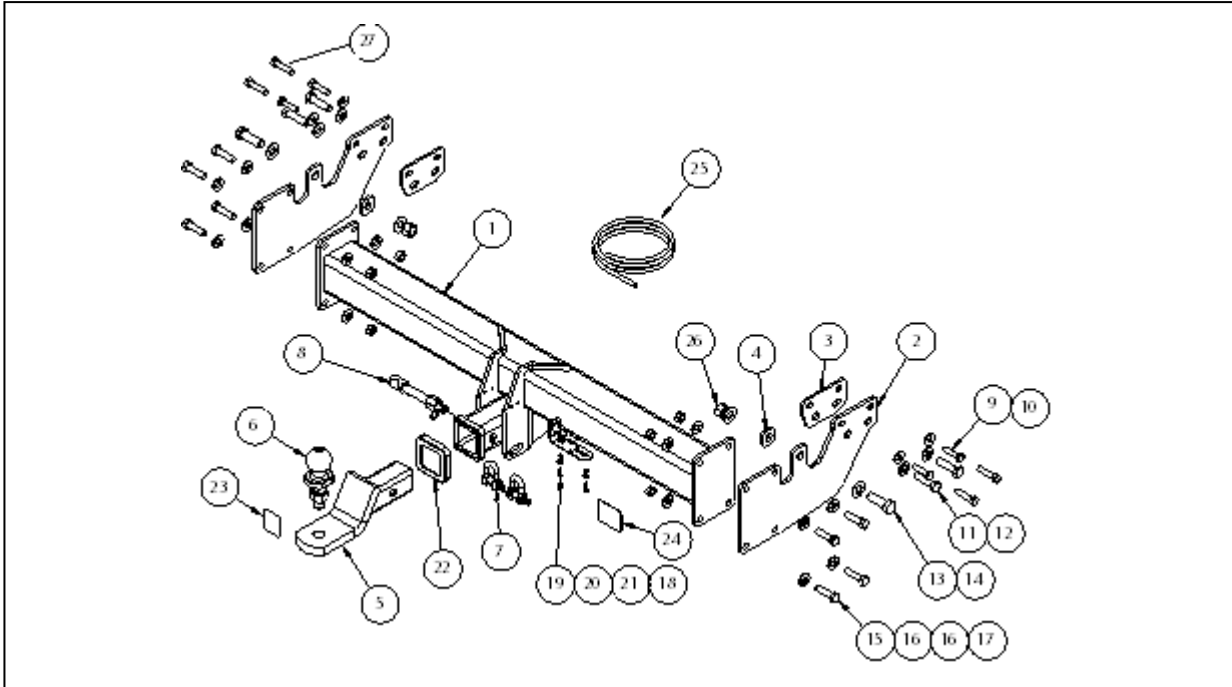
HAYMAN REESE

PART No: 03186RW

TOYOTA LANDCRUISER 70 SERIES CL4

INSTALLATION INSTRUCTIONS

PLEASE ENSURE THAT INSTRUCTIONS ARE UNDERSTOOD PRIOR TO FITMENT
PLACE THESE INSTRUCTIONS IN THE VEHICLE'S GLOVEBOX AFTER INSTALLATION IS COMPLETED



ITEM	DESCRIPTION	QTY
1	TOWBAR WELDED ASSEMBLY	1
2	SIDE ARM	2
3	FORWARD SPACER PLATE	2
4	REAR SPACER PLATE	2
5	CLASS 4 TBM	1
6	HR TOWBALL	1
7	10MM "D" SHACKLE	2
8	ANTI-RATTLE PULL PIN ASSY GOLD	1
9	BOLT M10x1.25x40	4
10	WASHER FT M10x25.4x3	4
11	BOLT HEX HD M14-1.5x50MM Z/P	4
12	FT WASHER M14x28x3 Z/P	4
13	BOLT M16x1.5Px50	2
14	FLAT WASHER M16x33.5x2.5 Z/P	4

ITEM	DESCRIPTION	QTY
15	SET SCREW M12x45x1.25P	8
16	WASHER FLAT 1/2"x1 1/8"x1/8"	16
17	HEX NUT PC8 M12x1.25	8
18	UNIVERSAL PLUG BRACKER KIT	1
19	SCREW PAN XR MTS M4-0.7x16 Z/P	2
20	F/WASHER ZP 3/16x1/2	2
21	NUT NYLOC M4-0.7 Z/P	2
22	HITCH BOX COLLAR COVER	1
23	H.R STICKER	1
24	ACRYLIC CP LABEL	1
25	WIRING LOOM	1
26	HEXAGONAL NUT M16X1.5	2
27	SET SCREW HEX HD M10X45X1.5P	4

Hayman Reese (Cequent)
PO Box 4050, Dandenong South VIC 3164
Phone 1800 812 017 Email info@haymanreese.com.au

www.haymanreese.com.au



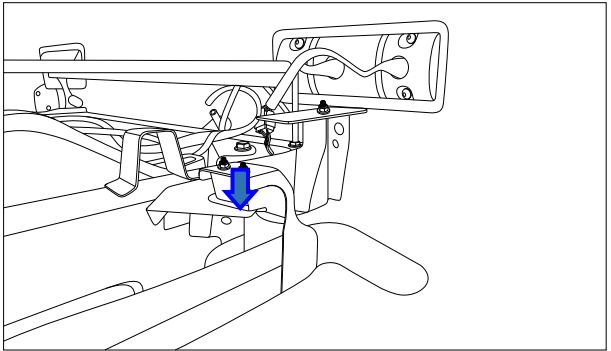
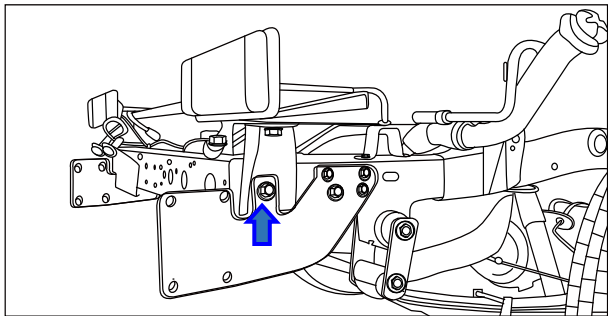
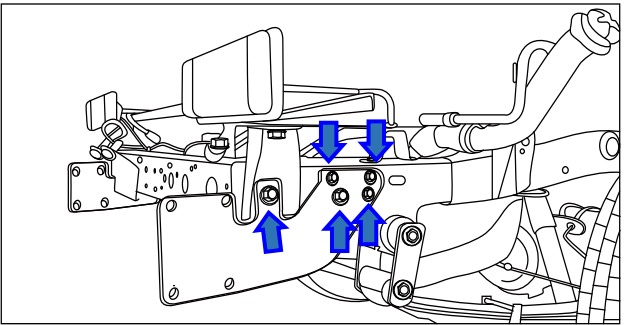
HAYMAN REESE

PART No: 03186RW

TOYOTA LANDCRUISER 70 SERIES CL4

INSTALLATION INSTRUCTIONS

PLEASE ENSURE THAT INSTRUCTIONS ARE UNDERSTOOD PRIOR TO FITMENT
PLACE THESE INSTRUCTIONS IN THE VEHICLE'S GLOVEBOX AFTER INSTALLATION IS COMPLETED

<p>1. Remove and retain 2 x screws securing rear section of exhaust to exhaust mount.</p> <p>This is to allow for greater tool access for installation of towbar.</p>	
<p>FOR DUAL CAB MODEL.</p> <p>2. Using the side arm as a template for the rear chassis mount, mark off and drill a Ø16.5mm hole in the chassis.</p> <p>3. Spray with rust inhibitor.</p> <p>Repeat steps 2-3 for opposite side of vehicle.</p>	
<p>4. Loosely secure side arm and forward spacer plate to upper holes on outside face of chassis rail using 2 x M10 x 1.25 bolts (Single cab) or 2 x M10 x 1.5 (Dual cab), complete with 1 x flat washer per bolt.</p> <p>5. Loosely secure side arm and forward spacer plate to lower holes on outside face of chassis rail using 2 x M14 bolts, complete with 1 x flat washer per bolt.</p> <p>6. Loosely secure side arm and rear spacer plate to tray mounting point using 1 x M16 screw, complete with 1 x flat washer. For the Dual Cab complete the fitment with the addition of 1x flat washer and 1 x M16 Nut.</p> <p>Repeat steps 4-6 for opposite side of vehicle.</p>	

Hayman Reese (Cequent)
PO Box 4050, Dandenong South VIC 3164
Phone 1800 812 017 Email info@haymanreese.com.au

www.haymanreese.com.au



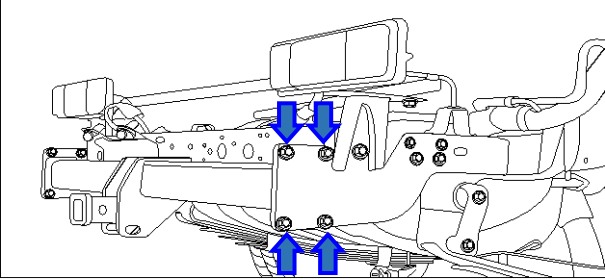
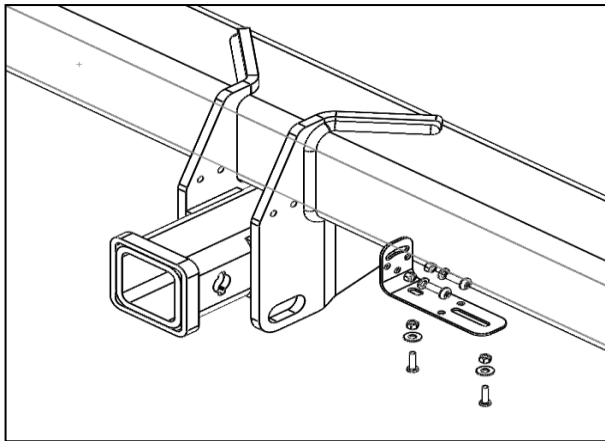
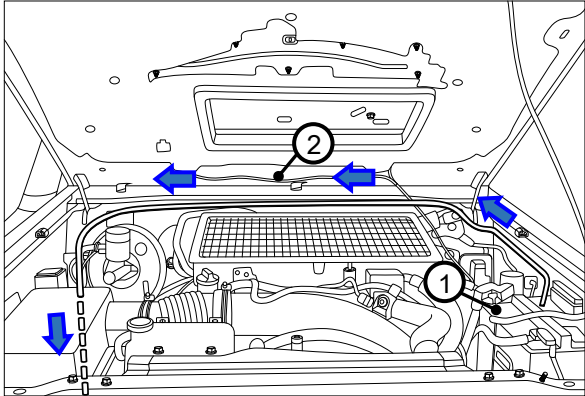
HAYMAN REESE

PART No: 03186RW

TOYOTA LANDCRUISER 70 SERIES CL4

INSTALLATION INSTRUCTIONS

PLEASE ENSURE THAT INSTRUCTIONS ARE UNDERSTOOD PRIOR TO FITMENT
PLACE THESE INSTRUCTIONS IN THE VEHICLE'S GLOVEBOX AFTER INSTALLATION IS COMPLETED

<p>7. Loosely secure towbar welded assembly to side arms using 8 x M12 hex head screws (4 per side), complete with 2 x flat washers and 1 x M12 nut per screw.</p> <p>8. Tighten all fasteners to torques listed below:</p> <table style="margin-left: 20px; border: none;"> <tr> <td style="padding-right: 20px;">M10:</td> <td>68N.m</td> </tr> <tr> <td>M12:</td> <td>125N.m</td> </tr> <tr> <td>M14:</td> <td>140N.m</td> </tr> <tr> <td>M16:</td> <td>209N.m</td> </tr> </table>	M10:	68N.m	M12:	125N.m	M14:	140N.m	M16:	209N.m	
M10:	68N.m								
M12:	125N.m								
M14:	140N.m								
M16:	209N.m								
<p>9. Secure plug bracket to centre section of towbar using 2 x M5 screws, complete with 1 x M5 flat washer and 1 x M5 nyloc nut per screw.</p> <p>10. Secure trailer plug to plug bracket using 2 x M4 screws, complete with 1 x M4 flat washer and 1 x M4 nyloc nut per screw.</p> <p>11. Reattach rear section of exhaust to exhaust mount using the 2 screws removed (step 1).</p>									
<p>12. In the engine bay, locate the vehicle battery (1).</p> <p>13. Route the Power Harness (04825) (2) from the battery, along the firewall and down towards the vehicle undercarriage.</p> <p>Note: Do not connect the Power Harness to the battery at this point.</p>									

Hayman Reese (Cequent)
PO Box 4050, Dandenong South VIC 3164
Phone 1800 812 017 Email info@haymanreese.com.au

www.haymanreese.com.au

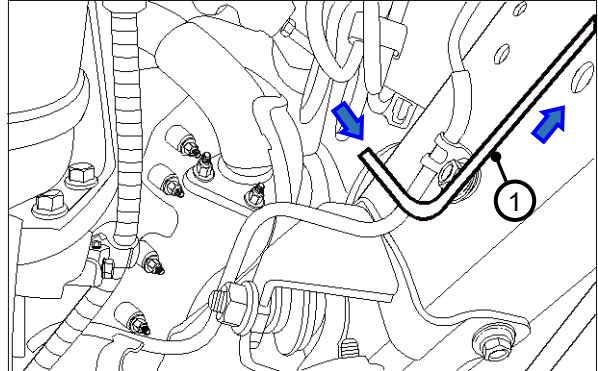


HAYMAN REESE
PART No: 03186RW
TOYOTA LANDCRUISER 70 SERIES CL4
INSTALLATION INSTRUCTIONS

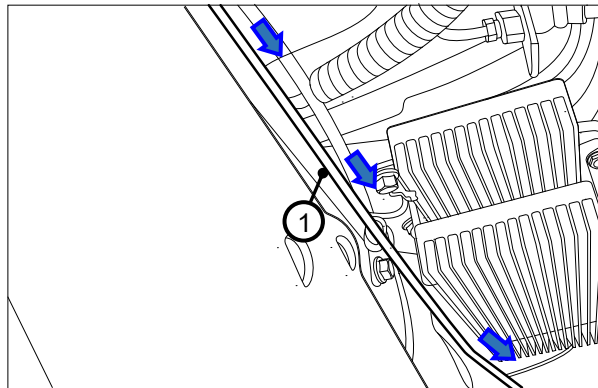
PLEASE ENSURE THAT INSTRUCTIONS ARE UNDERSTOOD PRIOR TO FITMENT
PLACE THESE INSTRUCTIONS IN THE VEHICLE'S GLOVEBOX AFTER INSTALLATION IS COMPLETED

14. From the vehicle undercarriage, locate the Power Harness (1).
15. Route the Power Harness along the RHS chassis rail and towards the rear of the vehicle. *Note: The Power Harness can be routed along either the RHS or the LHS chassis rail. The RHS is preferable as the vehicle exhaust is located on the LHS.*

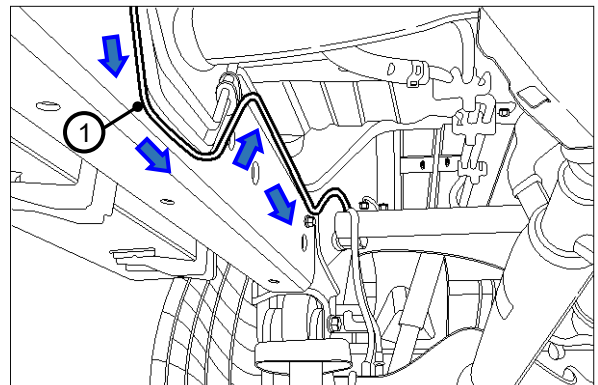
Note: When routing any harnesses underneath the vehicle, ensure to avoid all moving parts, sources of heat and sharp objects.



16. Continue routing the Power Harness (1) along the top of the RHS chassis rail and towards the rear of the vehicle.



17. Following the path of the hydraulic lines, route the Power Harness (1) along the RHS chassis rail and towards the rear of the vehicle.



Hayman Reese (Cequent)
PO Box 4050, Dandenong South VIC 3164
Phone 1800 812 017 Email info@haymanreese.com.au

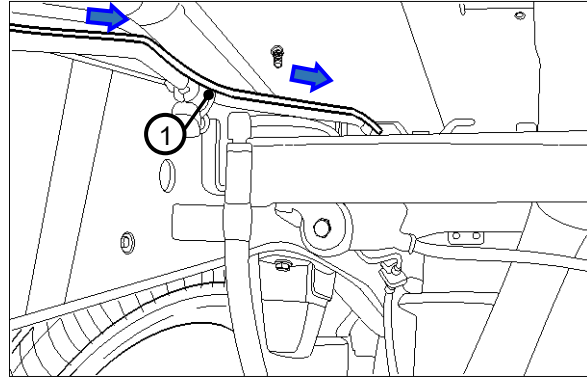
www.haymanreese.com.au



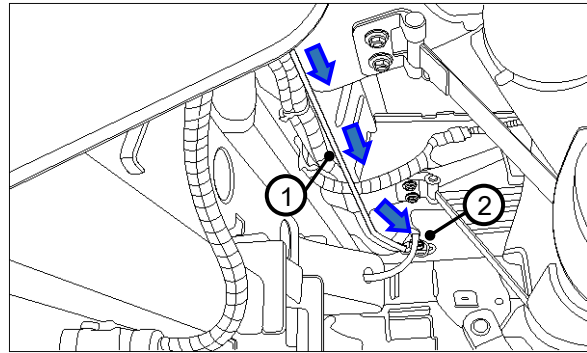
HAYMAN REESE
PART No: 03186RW
TOYOTA LANDCRUISER 70 SERIES CL4
INSTALLATION INSTRUCTIONS

PLEASE ENSURE THAT INSTRUCTIONS ARE UNDERSTOOD PRIOR TO FITMENT
PLACE THESE INSTRUCTIONS IN THE VEHICLE'S GLOVEBOX AFTER INSTALLATION IS COMPLETED

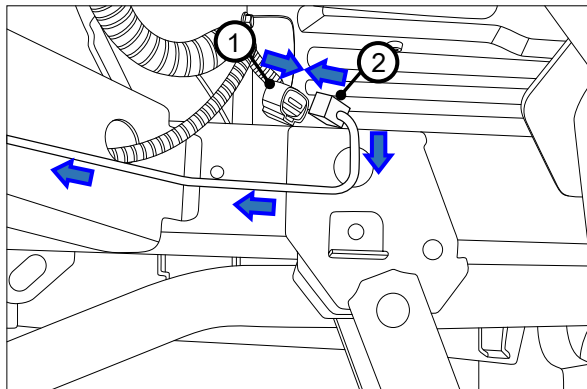
18. Keeping clear of the rear suspension components, continue routing the Power Harness (1) along the RHS chassis rail and towards the rear of the vehicle.



19. Route the Power Harness (1) along the rear of the vehicle and towards the vehicle 8-way breakout connector (2).



20. On the rear of the LHS chassis rail, locate the 8-way vehicle breakout connector (1).
21. Remove the blanking plug from the vehicle breakout connector (1).
22. Connect the Trailer Harness (P/No: 100038-WL) 8-way connector (2) to the vehicle 8-way breakout connector (1).
23. Connect the Power Harness 1-way connector to the Trailer Harness 1-way mating connector.



Hayman Reese (Cequent)
PO Box 4050, Dandenong South VIC 3164
Phone 1800 812 017 Email info@haymanreese.com.au

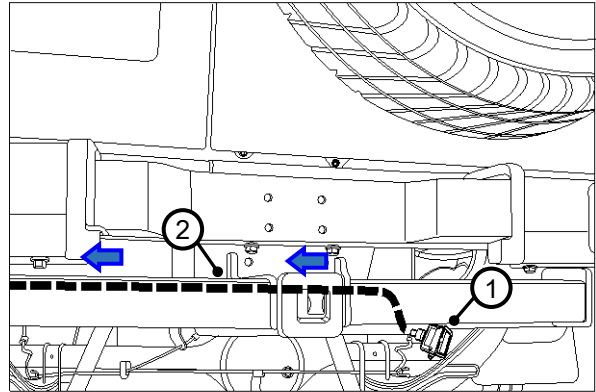
www.haymanreese.com.au



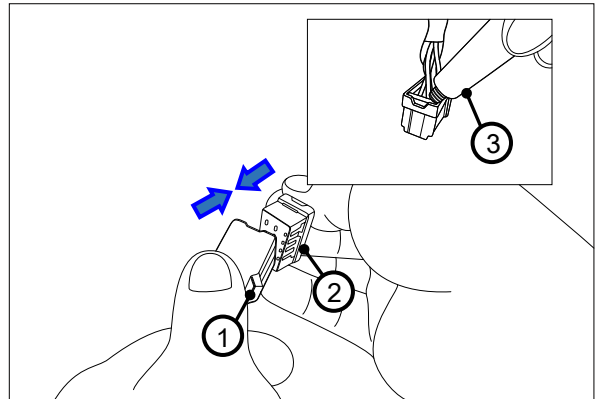
HAYMAN REESE
PART No: 03186RW
TOYOTA LANDCRUISER 70 SERIES CL4
INSTALLATION INSTRUCTIONS

PLEASE ENSURE THAT INSTRUCTIONS ARE UNDERSTOOD PRIOR TO FITMENT
PLACE THESE INSTRUCTIONS IN THE VEHICLE'S GLOVEBOX AFTER INSTALLATION IS COMPLETED

24. Mount the trailer socket (1) to the towbar mounting bracket using M4 fasteners (not supplied).
25. Route the Tail Harness (tail length 1200mm) (2) across the towbar and towards the LHS of the vehicle.



26. Connect the Tail Harness 8-way connector (1) to the Trailer Harness mating 8-way connector (2).
27. Waterproof the connectors by applying electrical grease or silicone (3) to the back of each connector.



28. Test the trailer harness function using a light board or multimeter.
29. Secure all harnesses using cables ties (not supplied).
30. Re-fit all removed parts and secure all fasteners, ensuring there are no squeaks or rattles.
31. Place instructions in glove box after fitment.

Hayman Reese (Cequent)
PO Box 4050, Dandenong South VIC 3164
Phone 1800 812 017 Email info@haymanreese.com.au

www.haymanreese.com.au





FITTING INSTRUCTIONS

Smart Pin (55070BL)

• These fitting instructions are supplied to ensure understanding of how the SMART PIN should be fitted and used correctly.

• Once installed, we recommend **ALL** instructions are kept and placed in the vehicle glove box.

NOTE: Routine maintenance and inspection of the towbar & SMART PIN is required. Regularly inspect for wear and check the tightness of the SMART PIN NUT. Follow instructions below to retighten the nut when necessary.

***Do not tow with your vehicle if the R CLIP or the SMART PIN NUT is loose or missing. Replacement parts are available from your Hayman Reese Distributor.**

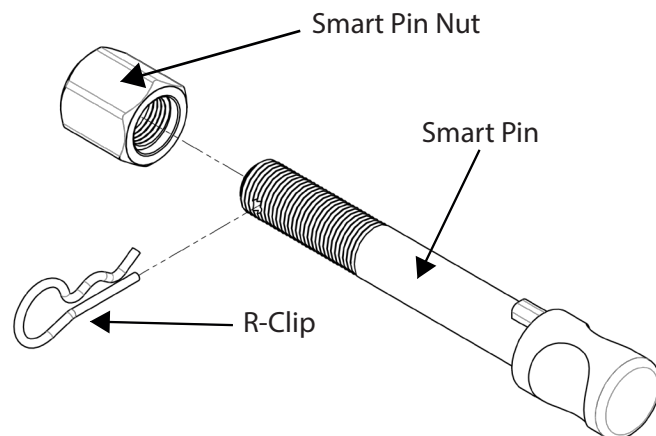
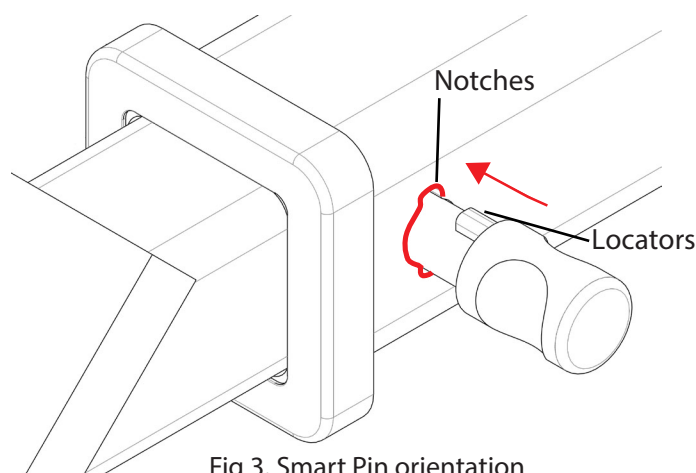
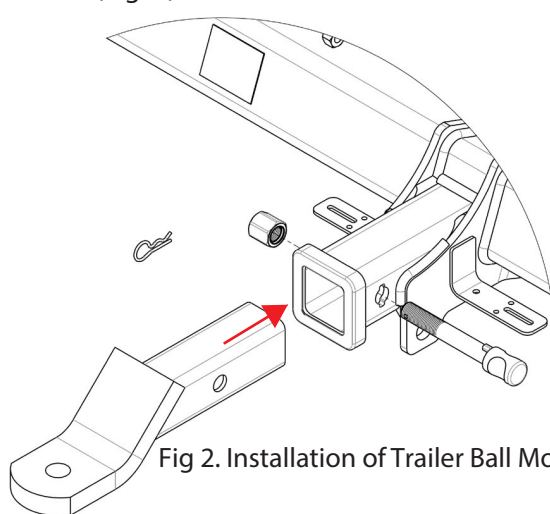


Fig 1. Smart Pin assembly

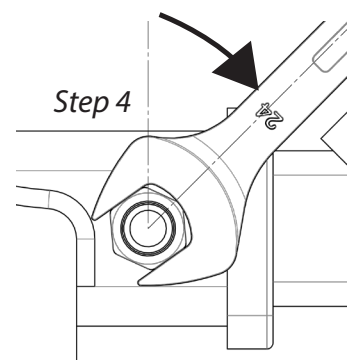
STEP 1 Insert Trailer Ball Mount (TBM) into towbar HITCHBOX, aligning hole in TBM SHANK with hole in HITCHBOX (Fig. 2).



STEP 2 Insert SMART PIN through hole in HITCHBOX and hole in TBM SHANK; ensure the LOCATORS are inserted into the NOTCHES in the HITCHBOX (Fig. 3).

STEP 3 Screw SMART PIN NUT onto SMART PIN; tighten SMART PIN NUT until finger tight, ensuring TBM is restrained from movement.

STEP 4 Tighten SMART PIN NUT by turning nut a further 1/8th of a turn in the clockwise direction using a 24mm spanner (Fig 4).



STEP 5 Install SMART PIN R CLIP through the hole on the SMART PIN (Fig. 1).

