

HAYMAN REESE

PART No: **03218RW**
HYUNDAI i30 PD CL4

INSTALLATION INSTRUCTIONS

PLEASE ENSURE THAT INSTRUCTIONS ARE UNDERSTOOD PRIOR TO
FITMENT



Installation Time: Approx **190** Mins

Towbar Installation Instructions

Towbar capacity

HYUNDAI i30 PD CL4

Part Number **03218RW**

Max Towing Braked **1300** kg

Max Towing Unbraked **700** kg

Max Static Ball Load **75** kg

ECU: 04826 (Non Branded if available)

Tail Harness Part No: 04936

RPA Disable Information: Via Console

Electric Brake Wire Location: Blue Wire Near ECU Connector

Hayman Reese (Cequent)
PO Box 4050, Dandenong South VIC 3164
Phone 1800 812 017 Email info@haymanreese.com.au

www.haymanreese.com.au



HAYMAN REESE

PART No: 03218RW
HYUNDAI i30 PD CL4

INSTALLATION INSTRUCTIONS

PLEASE ENSURE THAT INSTRUCTIONS ARE UNDERSTOOD PRIOR TO FITMENT

Warning:

1. Do not, drill, cut, weld or otherwise modify the towbar.
2. If you are using electric welding on a motor vehicle, **always** check that the vehicle is not equipped with electronic engine or instrument management equipment. Failure to do so could **destroy** any on board computers. If in doubt, check with the vehicle's manufacturer.
3. If TBM is used in inverted position tow ball may make contact with rear tailgate when lowered, which could cause damage.

General:

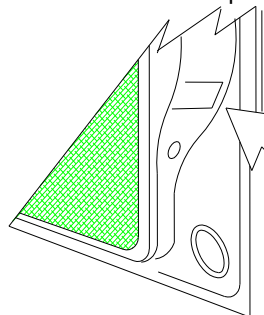
1. Ensure all hardware items have been included refer to assembly diagram.
2. It is recommended that the instructions are read through and completely understood before making any attempt to fit this product.
3. Be wary of any changes to vehicle designs or other accessories that may conflict with the installation of this product.
4. Before drilling ensure that the area is clear of fuel, electrical & other components.
5. All holes drilled into the body panels shall have all burrs & swarf removed then coated with a suitable rust preventative paint.
6. The high tensile fasteners supplied with this product were used to achieve the specified rating. If replacement is required ensure that fasteners of the same rating & quality are used. Contact an authorised **Hayman Reese** dealer if further information is required.
7. Ensure that all hardware is fastened to torque list below check fasteners on regular basis.
8. Towbar load rating sticker provided with this product shall be conspicuously located on inside rear end of the driver's door. **(See diagram below).**
9. Hayman Reese recommends that you check your tow ball to ensure that it complies with the Australian standards **AS 4177.2**.
10. **PLEASE NOTE:** It is advised to remove your LUG or TBM when not actually towing so as to produce a clear view of the vehicles registration plate if obscured, and to also provide maximum available departure angle.

Tow bar Maintenance and Care.

Hayman Reese recommends that bolt torque's, as listed below, are routinely and regularly inspected and checked for correct tension. Replace any worn or defective parts.

We recommended to remove Tow Ball Mounts (TBM's, tongues or lugs) when not being used for any considerable length of time. So as to avoid injury, when not towing it is suggested that the tongue, Pull Pin and R-clip are removed then stored in a safe, clean and dry place, away from excessive moisture.

Hitch Pull Pins and spring "R" clips are regularly checked for proper installation. Replace any worn or defective parts.



Place load rating sticker
inside driver's door here

RECOMMENDED ASSEMBLY TORQUE LISTING

Diameter Grade 8.8 Bolt

M6	9.5 Nm
M8	21.7 Nm
M10	43.4 Nm
M12	77.3 Nm
M14	146 Nm
M16	189.8 Nm

FOR TOWING PURPOSES ONLY

For towing capacity details please refer to vehicle owner's manual or to the manufacturer. Overloading can void your warranties.

Hayman Reese (Cequent)
PO Box 4050, Dandenong South VIC 3164
Phone 1800 812 017 Email info@haymanreese.com.au

www.haymanreese.com.au

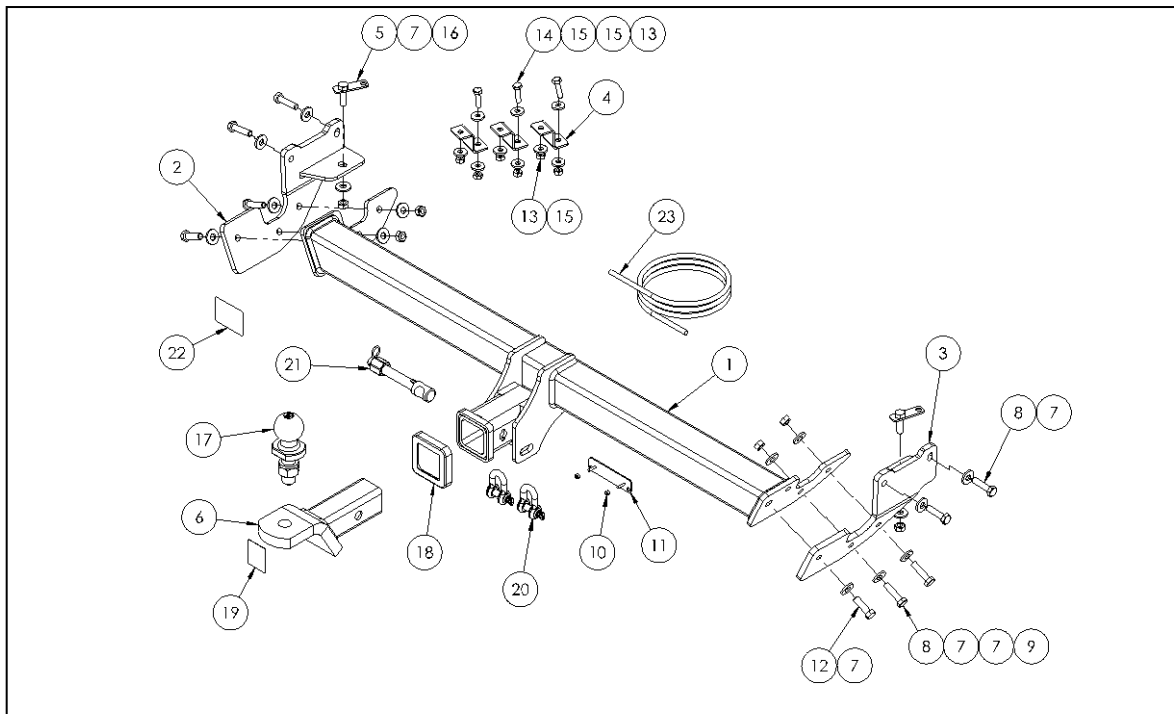


HAYMAN REESE

PART No: 03218RW
HYUNDAI i30 PD CL4

INSTALLATION INSTRUCTIONS

PLEASE ENSURE THAT INSTRUCTIONS ARE UNDERSTOOD PRIOR TO FITMENT



ITEM	DESCRIPTION	QTY
1	HYUNDAI I30 PD CL4 WELDED ASSY	1
2	SIDE ARM ASSY LH	1
3	SIDE ARM ASSY RH	1
4	TANK BRACKET	3
5	T BOLT ASSEMBLY	2
6	TRAILER BALL MOUNT	1
7	WASHER PLAIN M10 X 25 X 3	16
8	BOLT HEX HD M10 X 40 X 1.25P G10.9	8
9	NUT HEX HD M10 X 1.25P G8	4
10	VE PLUG BRACKET	1
11	NUT NYLON LOCK HEX HD M4X0.7P G8	2
12	BOLT M10-1.50 x 35 10.9	2

ITEM	DESCRIPTION	QTY
13	M8 - 1.25 NUT	6
14	SETSCREW HEX HD M8X30X1.25P G8.8	3
15	WASHER PLAIN M8 X 22 X 3	9
16	HEX NUT M10x1.5	2
17	HR TOWBALL	1
18	HITCH BOX COLLAR COVER	1
19	H.R STICKER	1
20	10mm "D" SHACKLE	2
21	ANTI-RATTLE PULL PIN ASSY GOLD	1
22	ACRYLIC COMPLIANCE LABEL	1
23	WIRING LOOM	1

Hayman Reese (Cequent)
PO Box 4050, Dandenong South VIC 3164
Phone 1800 812 017 Email info@haymanreese.com.au

www.haymanreese.com.au



HAYMAN REESE

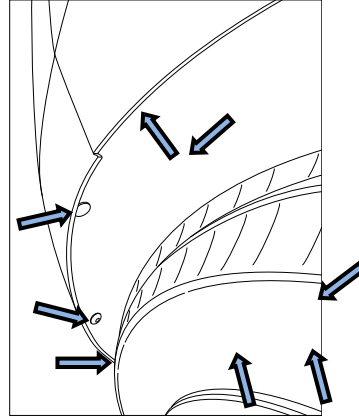
PART No: 03218RW
HYUNDAI i30 PD CL4

INSTALLATION INSTRUCTIONS

PLEASE ENSURE THAT INSTRUCTIONS ARE UNDERSTOOD PRIOR TO FITMENT

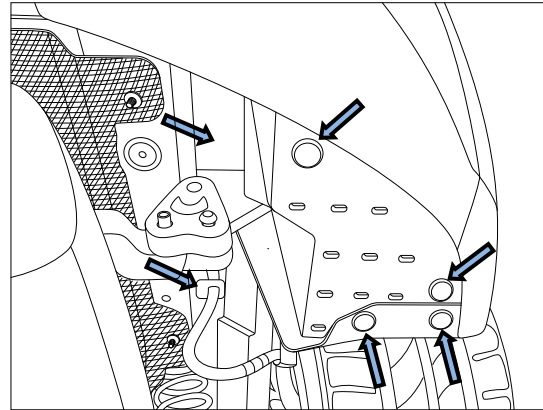
1. Inside wheel arch remove 3 x screws and 1 x scrivet.

Repeat for other side



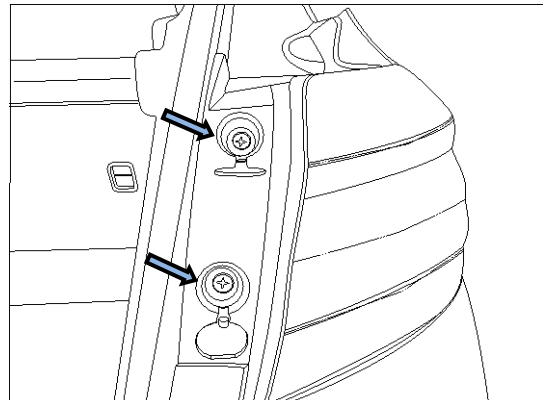
2. Under bumper remove 4 x scrivets securing plastic protector.

Repeat for other side.



3. Open tailgate to expose the taillight assembly securing screw covers. Open 2 x covers and remove the exposed screw.

Repeat for other side.



Hayman Reese (Cequent)
PO Box 4050, Dandenong South VIC 3164
Phone 1800 812 017 Email info@haymanreese.com.au

www.haymanreese.com.au



HAYMAN REESE

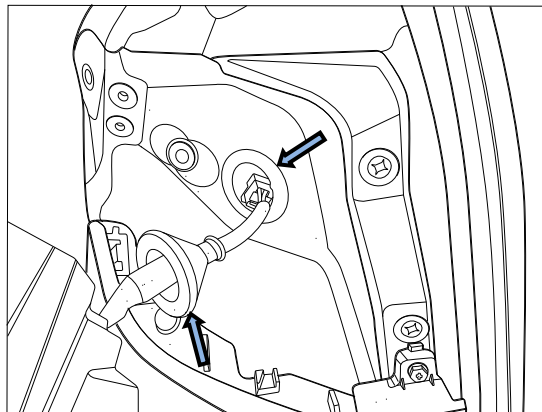
PART No: 03218RW
HYUNDAI i30 PD CL4

INSTALLATION INSTRUCTIONS

PLEASE ENSURE THAT INSTRUCTIONS ARE UNDERSTOOD PRIOR TO FITMENT

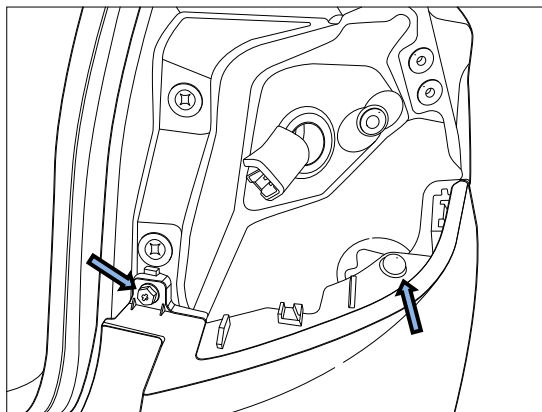
4. Remove taillight assembly by applying force rearwards.
5. Pull out the harness grommet from the body panel and disconnect the taillight assembly harness.

Repeat for other side.



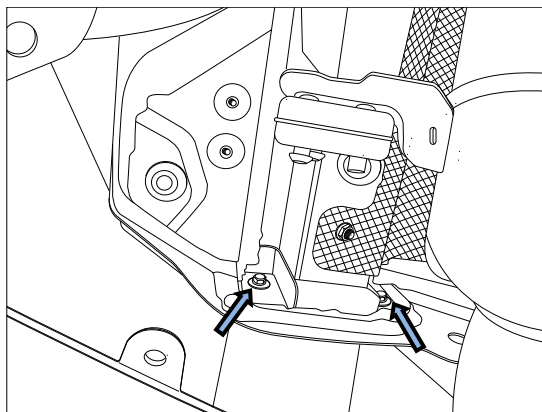
6. In the light cavity, remove 1 x scrivet and 1 x screw.

Repeat for other side.



7. Under vehicle remove 4 x bolts securing the impact beam to the vehicle. (2 x LH and 2 x RH side).

Retain the bolts for fitment.



Hayman Reese (Cequent)
PO Box 4050, Dandenong South VIC 3164
Phone 1800 812 017 Email info@haymanreese.com.au

www.haymanreese.com.au



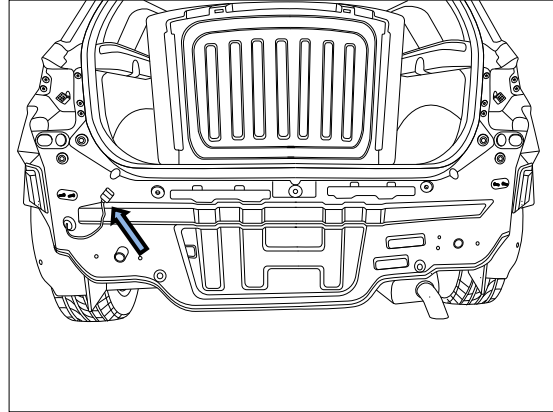
HAYMAN REESE

PART No: 03218RW
HYUNDAI i30 PD CL4

INSTALLATION INSTRUCTIONS

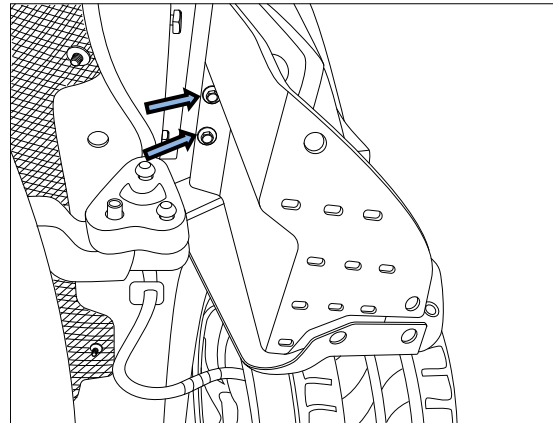
PLEASE ENSURE THAT INSTRUCTIONS ARE UNDERSTOOD PRIOR TO FITMENT

8. Peel away from sides and remove bumper. Disconnect wiring harness located on the LH side.

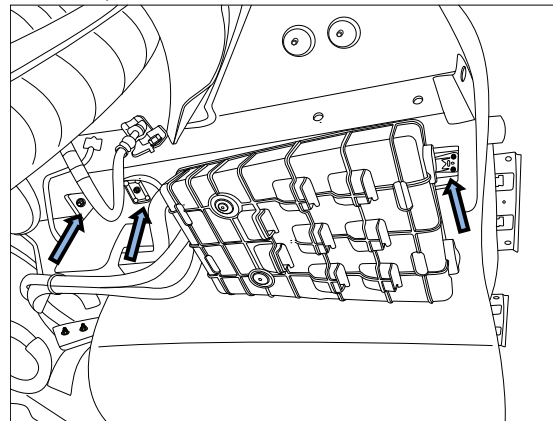


9. Under vehicle, to assist with clearance for towbar fitment, remove plastic protector secured with 2 x push on nut retainers.

Repeat for other side.



10. Under vehicle on LH side temporarily remove the tank from the chassis rail, secured with 3 x push on retainers. Do not disconnect any of the tubing.



Hayman Reese (Cequent)
PO Box 4050, Dandenong South VIC 3164
Phone 1800 812 017 Email info@haymanreese.com.au

www.haymanreese.com.au



HAYMAN REESE

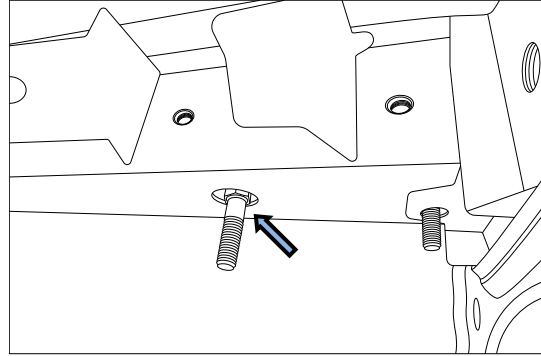
PART No: 03218RW
HYUNDAI i30 PD CL4

INSTALLATION INSTRUCTIONS

PLEASE ENSURE THAT INSTRUCTIONS ARE UNDERSTOOD PRIOR TO FITMENT

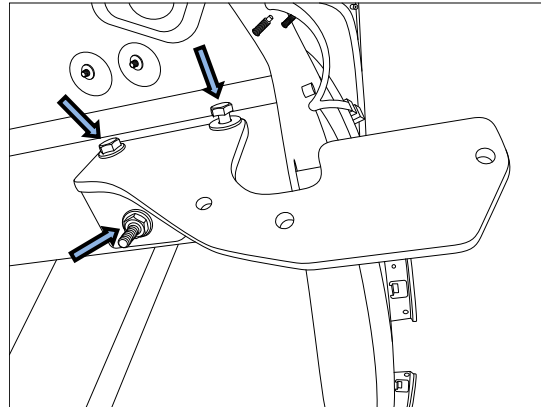
11. On chassis rail, remove rubber grommet and insert the T Bolt assembly.
12. Scrape away excessive rubber sealant from the chassis side between the weld nut holes where required.

Repeat for other side.



13. Loosely secure side arm assembly to the vehicle with 2 x M10 bolts complete with 1 x washer per bolt and 1 x M10 nut complete with 1 x washer.

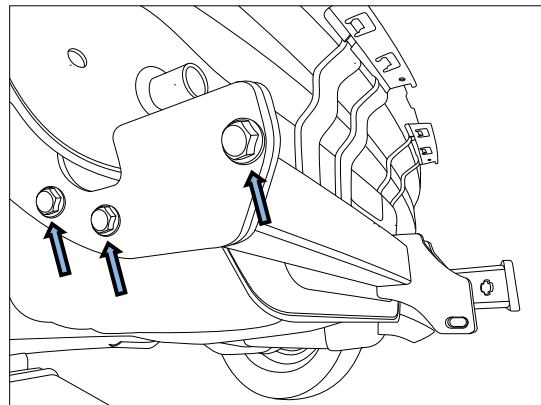
Repeat for other side.



14. Lift crosstube to side arms and secure each side with 3 x M10 bolts complete with 2 x washers and 1 x M10 nut per bolt.

Position the towbar and torque all fasteners accordingly:

M10: 70Nm



Hayman Reese (Cequent)
PO Box 4050, Dandenong South VIC 3164
Phone 1800 812 017 Email info@haymanreese.com.au

www.haymanreese.com.au



HAYMAN REESE

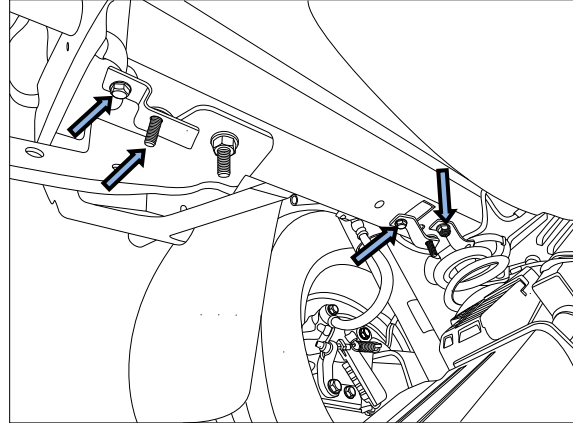
PART No: 03218RW
HYUNDAI i30 PD CL4

INSTALLATION INSTRUCTIONS

PLEASE ENSURE THAT INSTRUCTIONS ARE UNDERSTOOD PRIOR TO FITMENT

15. Under LH chassis loosely secure 3 x tank brackets to the chassis studs with 1 x M8 nut complete with 1 x washer.

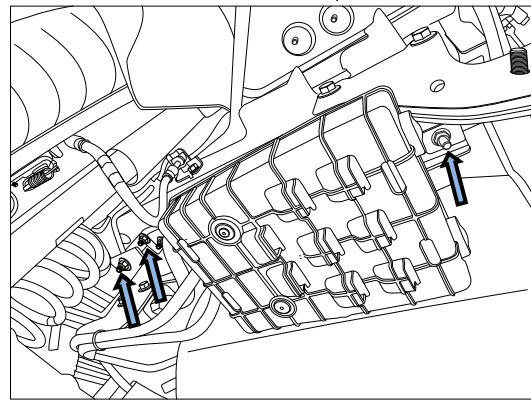
16. Fit 1 x M8 bolt complete with 1 x washer to the open hole on the 3 x tank brackets.



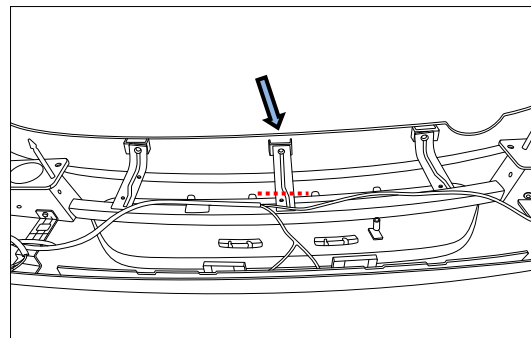
17. Align the mounting holes and loosely secure the tank to the 3 x brackets with 1 x M8 nut complete with 1x washer.

Position the tank and ensure no fouling conditions can to the tank or other components (tubes/piping) specifically in the coilspring area.

Tighten all fasteners to 22Nm.



18. On inside of bumper, remove the centre bumper bracket scrivet and cut off the centre bracket from the impact beam.



Hayman Reese (Cequent)
PO Box 4050, Dandenong South VIC 3164
Phone 1800 812 017 Email info@haymanreese.com.au

www.haymanreese.com.au



HAYMAN REESE

PART No: 03218RW

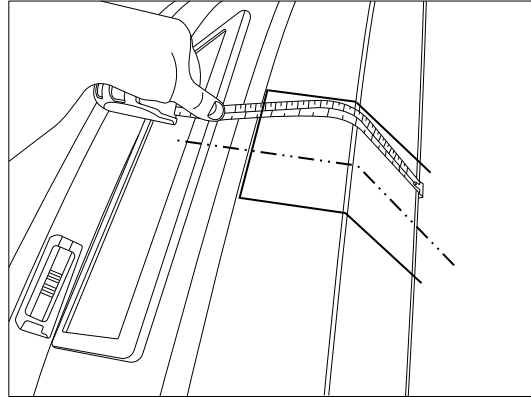
HYUNDAI i30 PD CL4

INSTALLATION INSTRUCTIONS

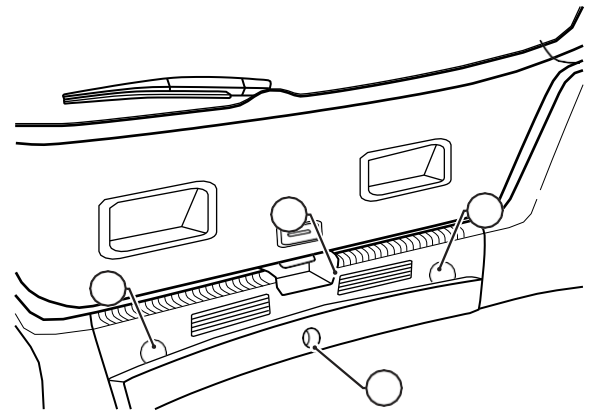
PLEASE ENSURE THAT INSTRUCTIONS ARE UNDERSTOOD PRIOR TO FITMENT

19. On the outside of the bumper locate the centre, mark out and cut 90mm wide by 210 length measured from the bottom edge of the bumper.

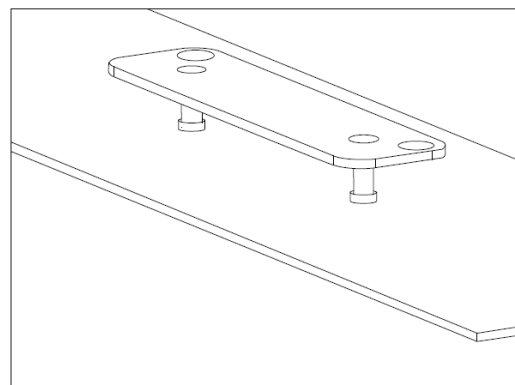
NOTE: The cut should end just below the bumper lower style line.



20. Reattach removed components by following steps 1-9 in reverse.



21. On the bumper locate a suitable position, mark out and drill 2 x \varnothing 5mm holes 69mm apart on bumper skin to support plug bracket.



Hayman Reese (Cequent)
PO Box 4050, Dandenong South VIC 3164
Phone 1800 812 017 Email info@haymanreese.com.au

www.haymanreese.com.au



HAYMAN REESE

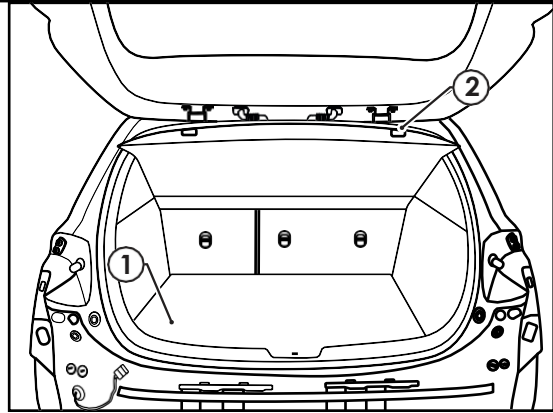
PART No: 03218RW
HYUNDAI i30 PD CL4

INSTALLATION INSTRUCTIONS

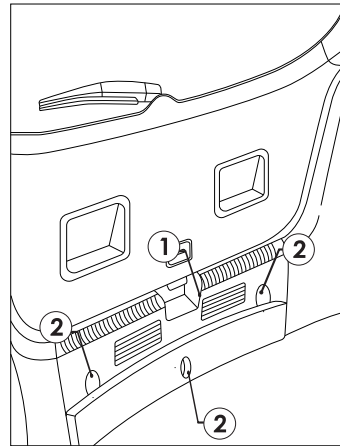
PLEASE ENSURE THAT INSTRUCTIONS ARE UNDERSTOOD PRIOR TO FITMENT

Note: Note down the clock and radio settings.

22. Disconnect the negative battery terminal.
23. In the luggage compartment, remove the carpet (1).
24. Remove the parcel shelf (2).

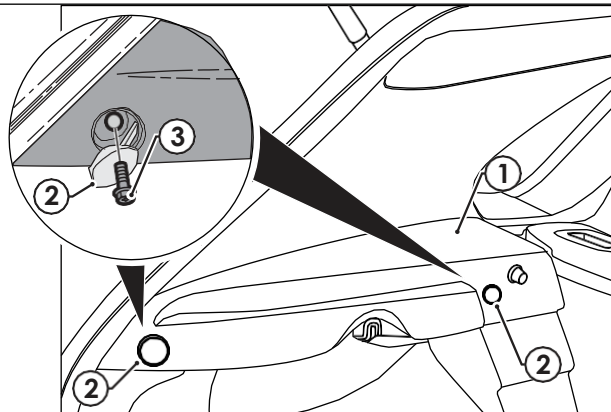


25. Remove the luggage compartment scuff plate (1), by first removing the three tree clips (2) and pulling trim in an upwards direction



26. On the LHS on the upper compartment trim (1), remove the two plastic caps (2).
27. Remove the two 10mm bolts (3).
28. Remove the upper trim (1), by pulling towards the centre of the vehicle.

Repeat for the RHS.



Hayman Reese (Cequent)
PO Box 4050, Dandenong South VIC 3164
Phone 1800 812 017 Email info@haymanreese.com.au

www.haymanreese.com.au



HAYMAN REESE

PART No: 03218RW

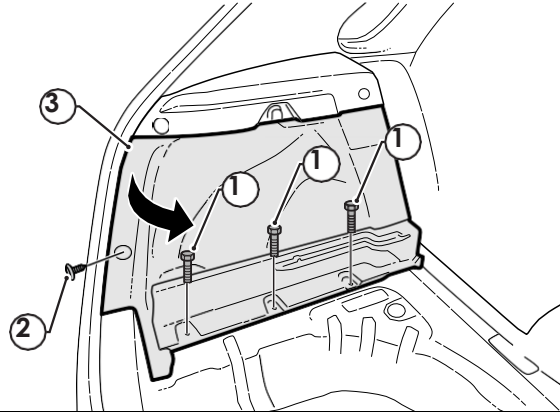
HYUNDAI i30 PD CL4

INSTALLATION INSTRUCTIONS

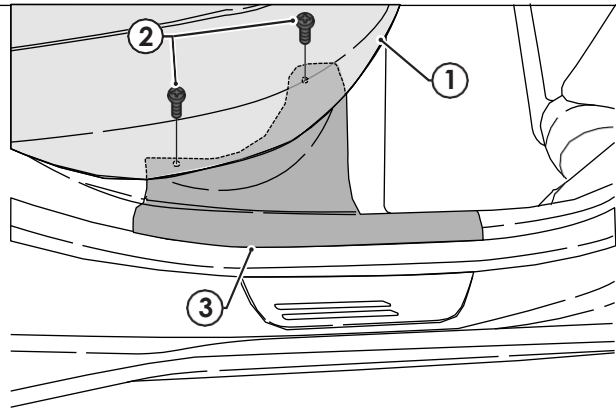
PLEASE ENSURE THAT INSTRUCTIONS ARE UNDERSTOOD PRIOR TO FITMENT

29. Remove the bolts (1) and tree clip (2) from the LHS lower luggage compartment trim (3).
30. Carefully flex the LHS lower luggage compartment trim (3) towards the middle of the vehicle.

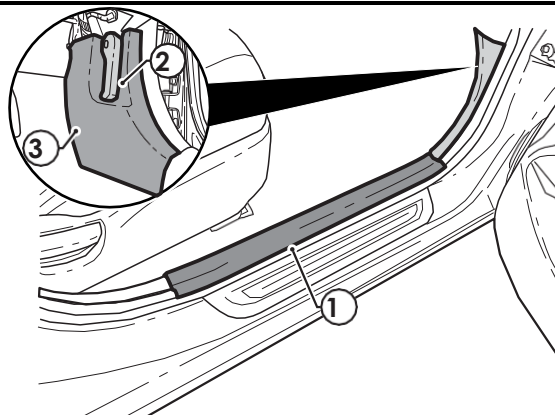
Repeat for the RHS.



31. Lift the bottom of the seat, pulling in an upwards direction.
32. Release the two screws (2) and remove the RHS rear door sill trim (3).



33. Remove the RHS front door sill trim (1).
34. Remove the bonnet release handle (2).
35. Remove the RHS kick panel trim (3).



Hayman Reese (Cequent)
PO Box 4050, Dandenong South VIC 3164
Phone 1800 812 017 Email info@haymanreese.com.au

www.haymanreese.com.au

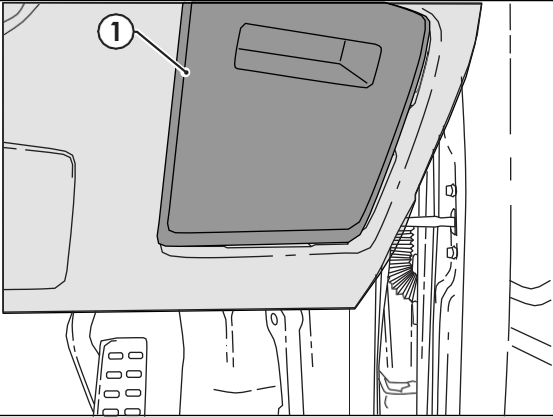
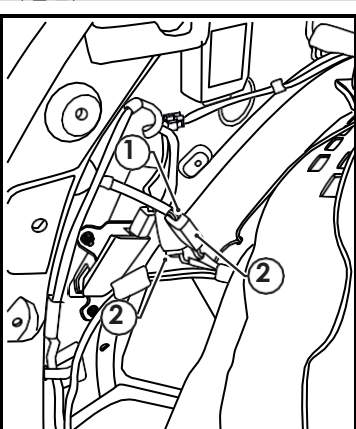
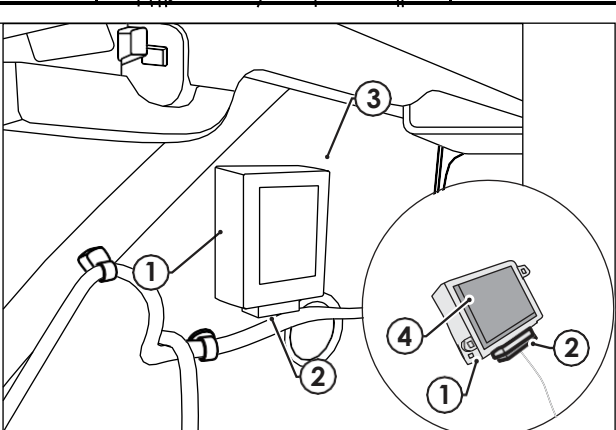


HAYMAN REESE

PART No: 03218RW
HYUNDAI i30 PD CL4

INSTALLATION INSTRUCTIONS

PLEASE ENSURE THAT INSTRUCTIONS ARE UNDERSTOOD PRIOR TO FITMENT

<p>36. Remove the fuse access panel</p>	
<p>37. In the LHS of the luggage compartment, disconnect the vehicle tail light 6-way connector (1) and patch in the trailer wiring mating connectors (2).</p>	
<p>38. Connect the Trailer Lamp ECU (1) to the 12-way connector (2).</p> <p>39. Adhere the Double Sided Tape (4) to the back of the ECU (1).</p> <p>40. Mount the ECU (1) to the sheet metal (3) below the LHS luggage compartment trim.</p>	

Hayman Reese (Cequent)
PO Box 4050, Dandenong South VIC 3164
Phone 1800 812 017 Email info@haymanreese.com.au

www.haymanreese.com.au



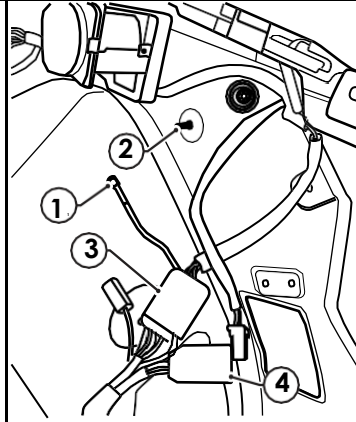
HAYMAN REESE

PART No: 03218RW
HYUNDAI i30 PD CL4

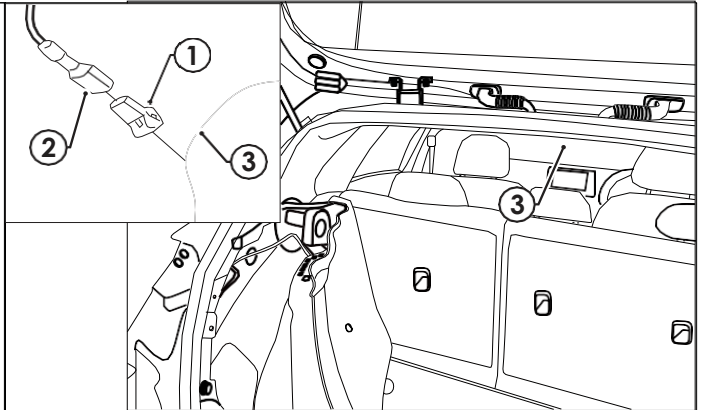
INSTALLATION INSTRUCTIONS

PLEASE ENSURE THAT INSTRUCTIONS ARE UNDERSTOOD PRIOR TO FITMENT

41. Route the trailer wiring harness to the RHS.
42. On the RHS of the luggage compartment, secure Trailer Harness ground ring terminal (1) to the stud (2) using an M6 Flange Nut (not supplied).
43. Disconnect the vehicle tail light connector (3) and in the trailer wiring mating connectors (4).



44. For reverse connection, route the trailer patch black/white wire branch up to the rear head lining. Locate the harness that runs towards the vehicle tailgate then, following the table below, connect the ezy-tap (1) to the mating harness wire (2). Then connect the trailer patch wire (3) to the ezy-tap (1).

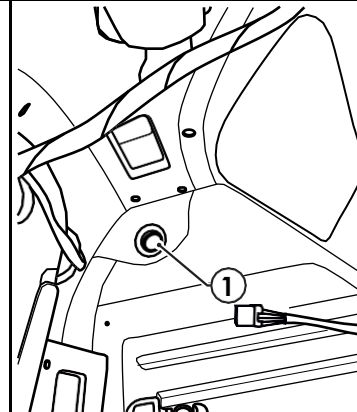


Function	Trailer Patch	Vehicle Harness
Reverse	BLACK/WHITE	BLUE

Note: Test the vehicle wires first to confirm the functions.

45. Locate and remove the vehicle grommet (1). Drill out to 30mm
46. Route the Blue Connector (2) through the vehicle grommet hole in the LHS rear quarter panel of the luggage compartment and seat the grommet in the 30mm hole.

Note: Ensure the grommet is seated correctly and makes a good seal.



Hayman Reese (Cequent)
PO Box 4050, Dandenong South VIC 3164
Phone 1800 812 017 Email info@haymanreese.com.au

www.haymanreese.com.au



HAYMAN REESE

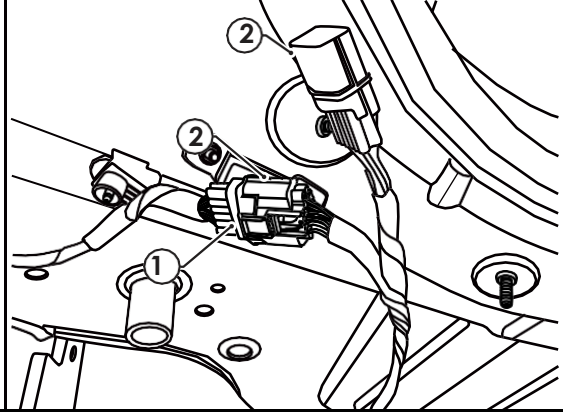
PART No: 03218RW

HYUNDAI i30 PD CL4

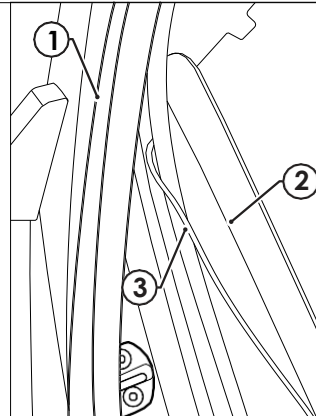
INSTALLATION INSTRUCTIONS

PLEASE ENSURE THAT INSTRUCTIONS ARE UNDERSTOOD PRIOR TO FITMENT

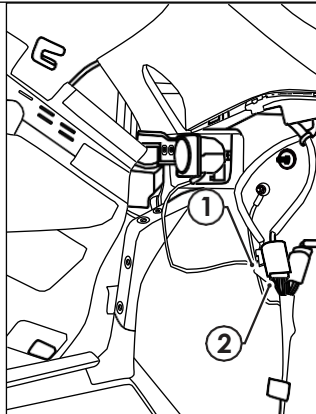
47. Disconnect the vehicle 12-way connector (1) from the rear bumper fascia and patch the RPA Cut-off Harness 12-way connectors (2) in between.



48. In the RHS passenger seat remove the door seal (1).
49. Flex rear trim (2) slightly to allow enough across to route power harness.
50. Route the female connector on the supplied power harness (3) through to the rear of the vehicle.



51. On the RHS of the luggage compartment, connect the Trailer Wiring Harness 1-way male connector (1) to the Power Cable 1-way female mating connector (2).



Hayman Reese (Cequent)

PO Box 4050, Dandenong South VIC 3164

Phone 1800 812 017 Email info@haymanreese.com.au

www.haymanreese.com.au



HAYMAN REESE

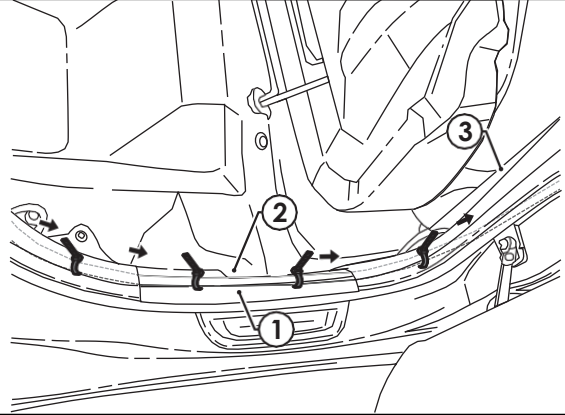
PART No: 03218RW

HYUNDAI i30 PD CL4

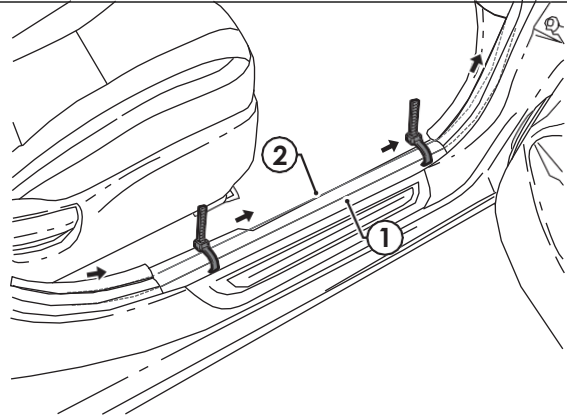
INSTALLATION INSTRUCTIONS

PLEASE ENSURE THAT INSTRUCTIONS ARE UNDERSTOOD PRIOR TO FITMENT

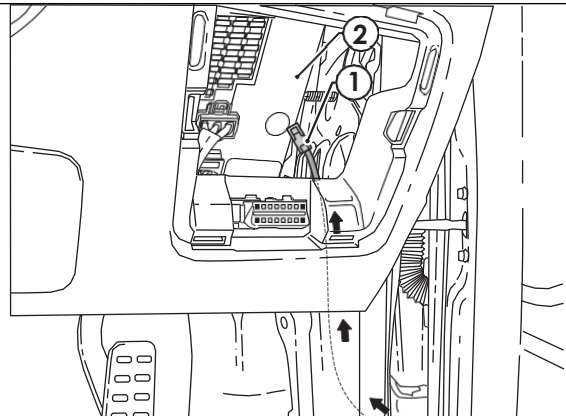
52. Following the existing vehicle harness (1), route the Trailer Wiring Harness Power Cable (2) along the RHS rear passenger door sill and past the "B" pillar (3), ensuring the Trailer Wiring Harness Power Cable is tucked under the 'B' pillar trim (3).



53. Following the existing vehicle harness (1), continue routing the Trailer Wiring Harness Power Cable (2) past the RHS driver's door sill and towards the fuse panel.



54. Continue routing the Trailer Wiring Harness Power Cable (1) up towards the fuse panel (2).



Hayman Reese (Cequent)
PO Box 4050, Dandenong South VIC 3164
Phone 1800 812 017 Email info@haymanreese.com.au

www.haymanreese.com.au



HAYMAN REESE

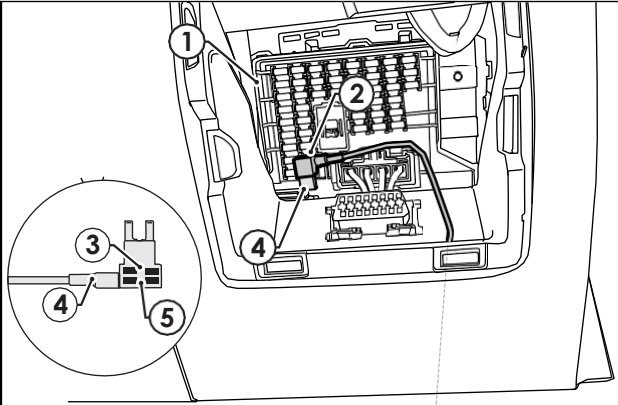
PART No: 03218RW

HYUNDAI i30 PD CL4

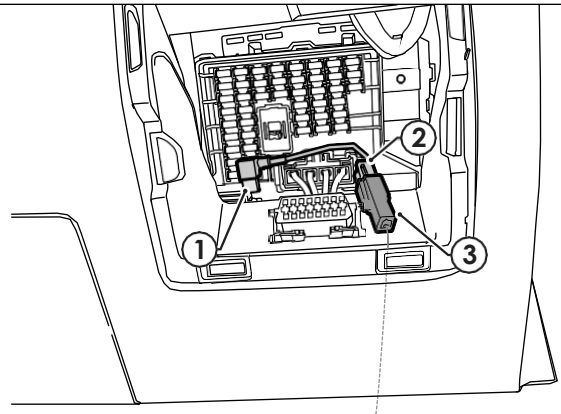
INSTALLATION INSTRUCTIONS

PLEASE ENSURE THAT INSTRUCTIONS ARE UNDERSTOOD PRIOR TO FITMENT

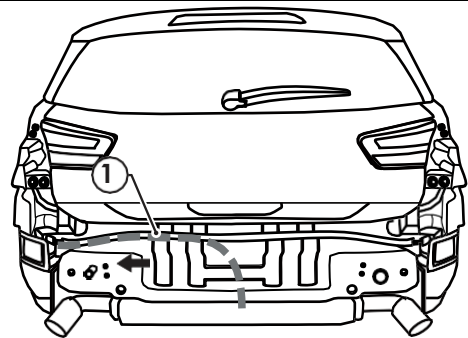
55. On the fuse panel (1), locate and remove the highlighted vehicle 20A fuse (2).
56. Insert the vehicle 20A fuse into the upper slot (3) of the supplied Add-a-Fuse (4).
57. Insert the supplied 20A Fuse into the lower slot (5) of the Add-a-Fuse (4).
58. Insert the supplied Add-a-Fuse (4), in the orientation shown, into the location previously occupied by the vehicle 20A fuse (2).
Note: To maintain correct electrical operation, ensure you insert the Add-a-Fuse (4) into the allocated slot in the orientation shown.



59. Connect the Add-a-Fuse (1) 1-way female connector (2) to its mating 1-way male connector (3) on the Trailer Wiring Harness Power Cable.



60. With the rear bumper removed, secure tail harness (04936) to towbar.
61. Route tail harness (1) up towards LHS rear quarter.



Hayman Reese (Cequent)
PO Box 4050, Dandenong South VIC 3164
Phone 1800 812 017 Email info@haymanreese.com.au

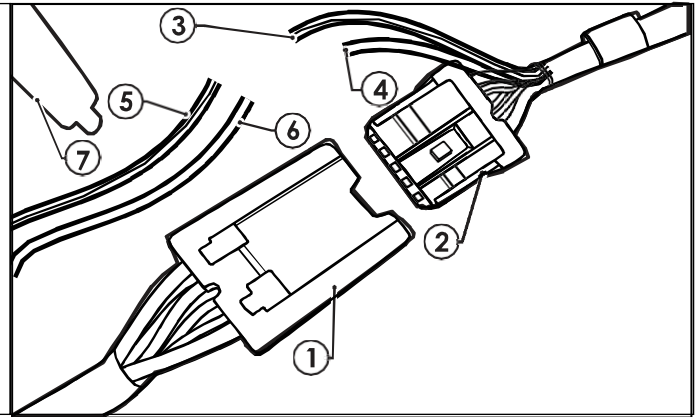
www.haymanreese.com.au



HAYMAN REESE
PART No: 03218RW
HYUNDAI i30 PD CL4
INSTALLATION INSTRUCTIONS

PLEASE ENSURE THAT INSTRUCTIONS ARE UNDERSTOOD PRIOR TO FITMENT
PLACE THESE INSTRUCTIONS IN THE VEHICLE'S GLOVEBOX AFTER INSTALLATION IS COMPLETED

65. Connect the tail harness 8-way connector (1) to the trailer patch 8-way mating connector (2).
63. Connect wires with crimp, GREY (3) and GREY/Black (4) wires to the RPA patch matching PURPLE (5) and PINK (6) wires and insulate connections.
64. Apply silicone grease (7) to waterproof the connector.



65. Refit tail lights.
66. The RPA function can be disabled via a switch on the dash.
67. Test the trailer patch function using a light board or multi-meter.
68. Secure harness using cable ties (not supplied).
69. Re-fit all removed parts and secure all fasteners, ensuring there are no squeaks or rattles.
70. Place the fitting instructions in the glove box after fitment

Hayman Reese (Cequent)
PO Box 4050, Dandenong South VIC 3164
Phone 1800 812 017 Email info@haymanreese.com.au

www.haymanreese.com.au





FITTING INSTRUCTIONS

Smart Pin (55070BL)

• These fitting instructions are supplied to ensure understanding of how the SMART PIN should be fitted and used correctly.

• Once installed, we recommend **ALL** instructions are kept and placed in the vehicle glove box.

NOTE: Routine maintenance and inspection of the towbar & SMART PIN is required. Regularly inspect for wear and check the tightness of the SMART PIN NUT. Follow instructions below to retighten the nut when necessary.

***Do not tow with your vehicle if the R CLIP or the SMART PIN NUT is loose or missing. Replacement parts are available from your Hayman Reese Distributor.**

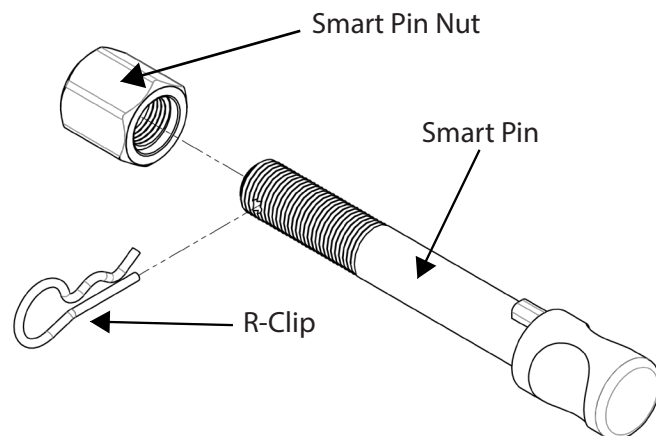
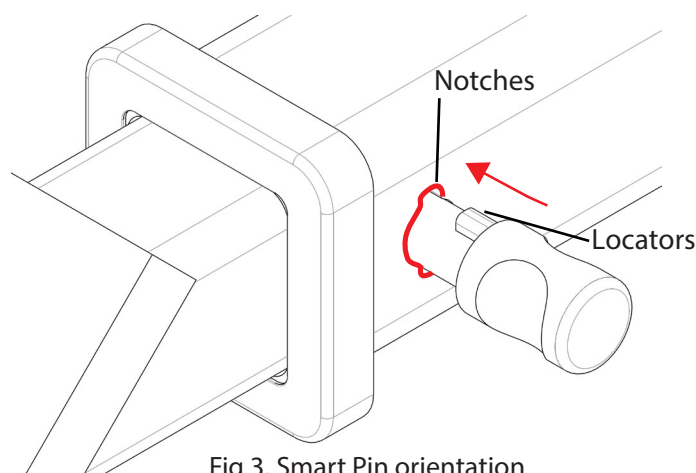
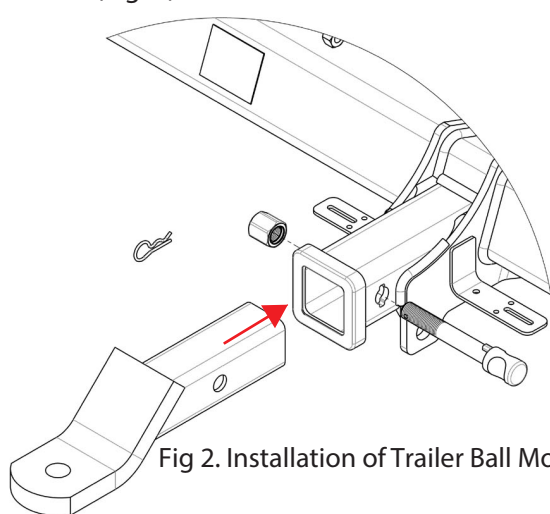


Fig 1. Smart Pin assembly

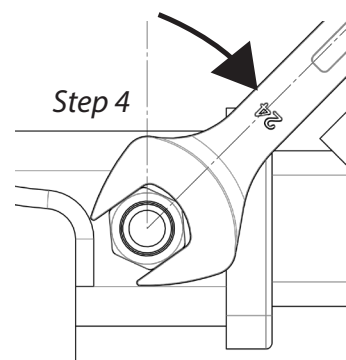
STEP 1 Insert Trailer Ball Mount (TBM) into towbar HITCHBOX, aligning hole in TBM SHANK with hole in HITCHBOX (Fig. 2).



STEP 2 Insert SMART PIN through hole in HITCHBOX and hole in TBM SHANK; ensure the LOCATORS are inserted into the NOTCHES in the HITCHBOX (Fig. 3).

STEP 3 Screw SMART PIN NUT onto SMART PIN; tighten SMART PIN NUT until finger tight, ensuring TBM is restrained from movement.

STEP 4 Tighten SMART PIN NUT by turning nut a further 1/8th of a turn in the clockwise direction using a 24mm spanner (Fig 4).



STEP 5 Install SMART PIN R CLIP through the hole on the SMART PIN (Fig. 1).

