

HAYMAN REESE
PART No: **03220RW**
RENAULT KOLEOS HZG CL4
INSTALLATION INSTRUCTIONS

PLEASE ENSURE THAT ALL INSTRUCTIONS ARE UNDERSTOOD PRIOR TO FITMENT
PLACE THESE INSTRUCTIONS IN THE VEHICLE'S GLOVEBOX AFTER INSTALLATION IS COMPLETED



Installation Time: Approx **100** Mins

Towbar Installation Instructions

Towbar capacity

RENAULT KOLEOS HZG CL4

Part Number 03220RW	Max Towing Braked	2000 kg
	Max Towing Unbraked	750 kg
	Max Static Ball Load	200 kg

ECU: 04836

Tail Harness Length Required: 1200mm

Tail Harness Part Number Req'd: 04817 – Required for vehicles equipped with Smart City Brake Support

RPA Disable Information: RPA Disable on Dash

Electric Brake Input Location: Blue Wire Near Blue Tail Connector

Hayman Reese (Cequent)
PO Box 4050, Dandenong South VIC 3164
Phone 1800 812 017 Email info@haymanreese.com.au

www.haymanreese.com.au



HAYMAN REESE
PART No: 03220RW
RENAULT KOLEOS HZG CL4
INSTALLATION INSTRUCTIONS

PLEASE ENSURE THAT ALL INSTRUCTIONS ARE UNDERSTOOD PRIOR TO FITMENT
PLACE THESE INSTRUCTIONS IN THE VEHICLES'S GLOVEBOX AFTER INSTALLATION IS COMPLETED

Warning:

1. Do not, drill, cut, weld or otherwise modify the towbar.
2. If you are using electric welding on a motor vehicle, **always** check that the vehicle is not equipped with electronic engine or instrument management equipment. Failure to do so could **destroy** any onboard computers. If in doubt, check with the vehicle's manufacturer.
3. If TBM is used in inverted position tow ball may make contact with rear tailgate when lowered, which could cause damage.

General:

1. Ensure all hardware items have been included refer to assembly diagram.
2. It is recommended that the instructions are read through and completely understood before making any attempt to fit this product.
3. Be wary of any changes to vehicle designs or other accessories that may conflict with the installation of this product.
4. Before drilling ensure that the area is clear of fuel, electrical & other components.
5. All holes drilled into the body panels shall have all burrs & swarf removed then coated with a suitable rust preventative paint.
6. The high tensile fasteners supplied with this product were used to achieve the specified rating. If replacement is required ensure that fasteners of the same rating & quality are used. Contact an authorised **Hayman Reese** dealer if further information is required.
7. Ensure that all hardware is fastened to torque list below check fasteners on regular basis.
8. Towbar load rating sticker provided with this product shall be conspicuously located on inside rear end of the driver's door. **(See diagram below).**
9. Hayman Reese recommends that you check your tow ball to ensure that it complies with the Australian standards **AS 4177.2**.
10. **PLEASE NOTE:** It is advised to remove your lug or tbn when not actually towing so as to produce a clear view of the vehicles registration plate if obscured, and to also provide maximum available departure angle.
11. Pull Pin must be fit in down position.

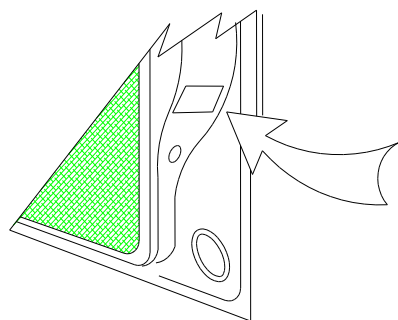
Tow bar Maintenance and Care.

Hayman Reese recommends that bolt torque's, as listed below, are routinely and regularly inspected and checked for correct tension. Replace any worn or defective parts.

We recommended to remove Tow Ball Mounts (TBM's, tongues or lugs) when not being used for any considerable length of time.

So as to avoid injury, when not towing it is suggested that the tongue, Pull Pin and R-clip are removed then stored in a safe, clean and dry place, away from excessive moisture.

Hitch Pull Pins and spring "R" clips are regularly checked for proper installation. Replace any worn or defective parts.



**Place load rating sticker
inside driver's door here**

**RECOMMENDED ASSEMBLY TORQUE
LISTING**

Diameter Grade 8.8 Bolt

M6	9.5 Nm
M8	21.7 Nm
M10	43.4 Nm
M12	77.3 Nm
M14	146 Nm
M16	189.8 Nm

FOR TOWING PURPOSES ONLY

For towing capacity details please refer to vehicle
owner's manual or to the manufacturer. Overloading can
void your warranties.

Hayman Reese (Cequent)
PO Box 4050, Dandenong South VIC 3164
Phone 1800 812 017 Email info@haymanreese.com.au

www.haymanreese.com.au



HAYMAN REESE

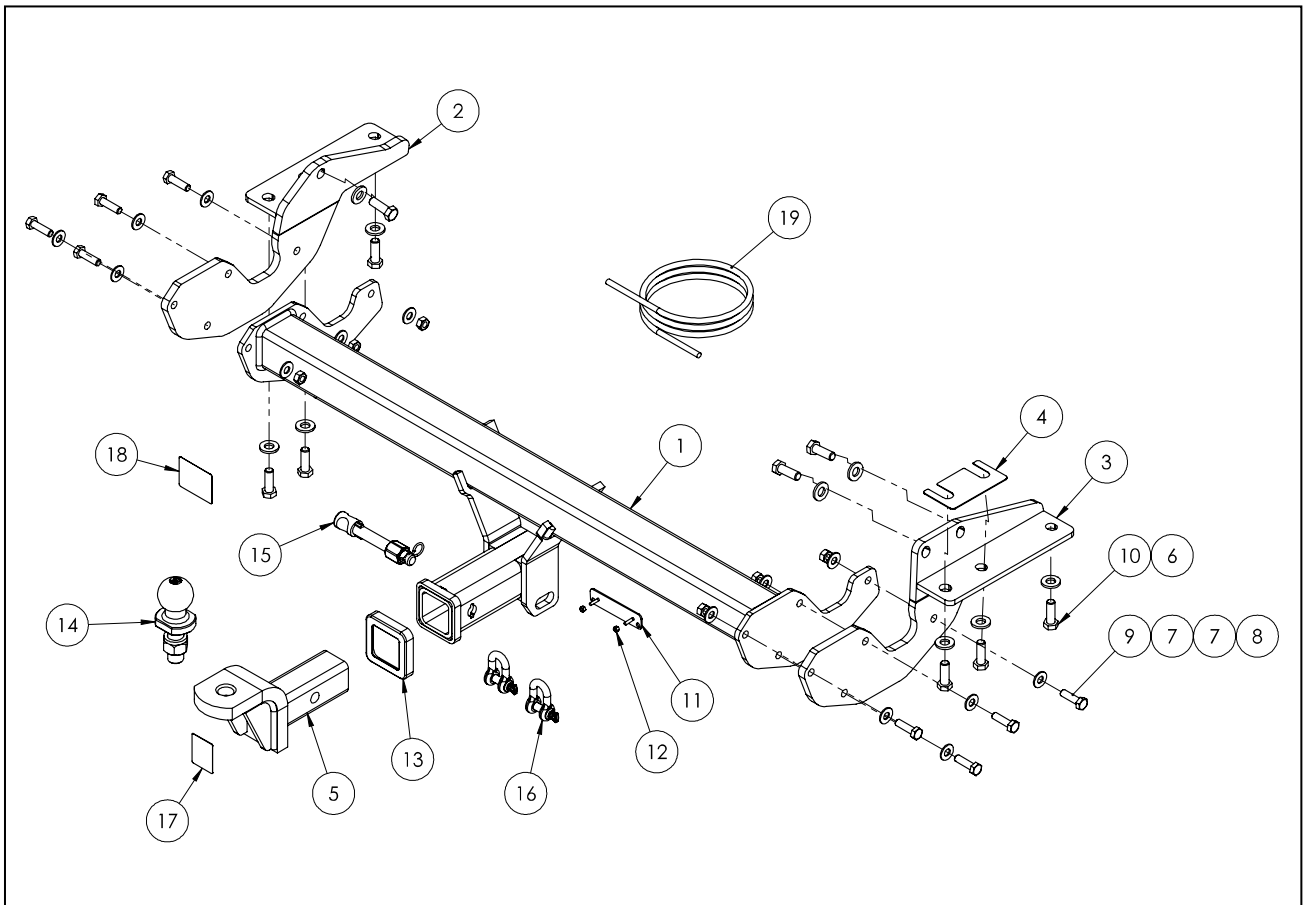
PART No: 03220RW

RENAULT KOLEOS HZG CL4

INSTALLATION INSTRUCTIONS

PLEASE ENSURE THAT ALL INSTRUCTIONS ARE UNDERSTOOD PRIOR TO FITMENT

PLACE THESE INSTRUCTIONS IN THE VEHICLES'S GLOVEBOX AFTER INSTALLATION IS COMPLETED



ITEM	DESCRIPTION	QTY	ITEM	DESCRIPTION	QTY
1	RENAULT KOLEOS HZG CL4	1	13	HITCH BOX COLLAR COVER	1
2	SIDE ARM ASSY LH	1	14	TOWBALL 50MM FLAT CHROME	1
3	SIDE ARM ASSY RH	1	15	SMART PIN ASSY CLASS 4 - GOLD	1
4	SPACER RH	1	16	10mm "D" SHACKLE	2
5	BMW X5/X6 CLASS TBM	1	17	HAYMAN REESE LOGO STICKER	1
6	WASHER PLAIN 1/2X1-1/8X16G	9	18	ACRYLIC COMPLIANCE LABEL	1
7	WASHER FLAT M10 X 23 X 2 Z/P	16	19	WIRING LOOM	1
8	NUT HEX HD M10 X 1.25P G8	8			
9	SET SCREW HEX HD M10x35x1.25P	8			
10	SET SCREW M12-1.25x35 GR 8.8	9			
11	VE PLUG BRACKET	1			
12	NUT NYLON LOCK HEX HD M4X0.7P	2			

Hayman Reese (Cequent)
PO Box 4050, Dandenong South VIC 3164
Phone 1800 812 017 Email info@haymanreese.com.au

www.haymanreese.com.au



HAYMAN REESE

PART No: 03220RW

RENAULT KOLEOS HZG CL4

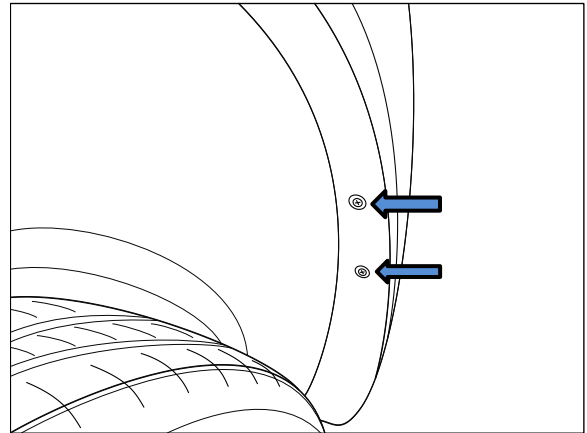
INSTALLATION INSTRUCTIONS

PLEASE ENSURE THAT ALL INSTRUCTIONS ARE UNDERSTOOD PRIOR TO FITMENT

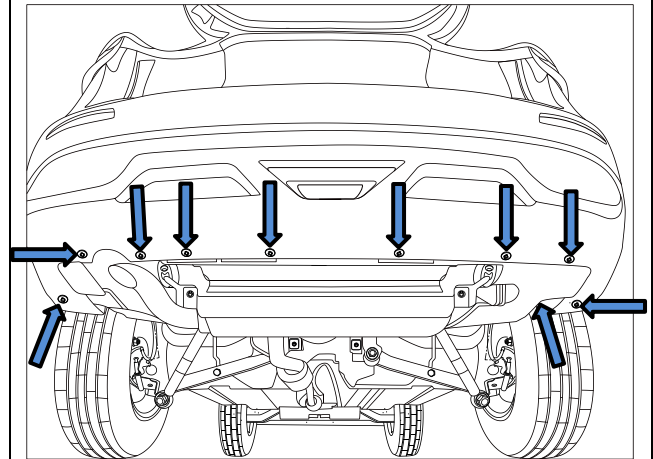
PLACE THESE INSTRUCTIONS IN THE VEHICLES'S GLOVEBOX AFTER INSTALLATION IS COMPLETED

1. In wheel arch, remove 2 x Torx screws.

Repeat for opposite side.

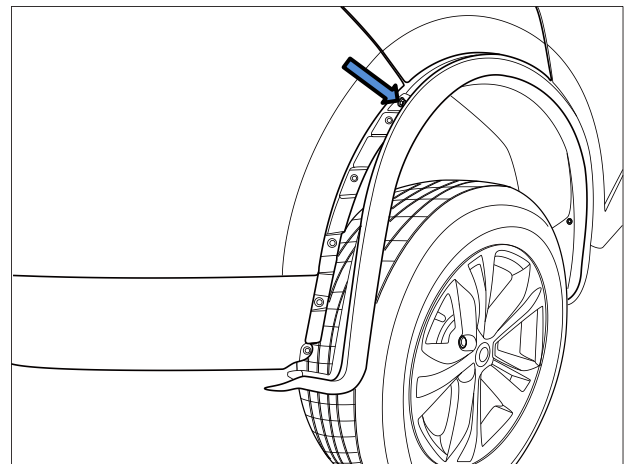


2. Under the width of the bumper, remove 8 x scrivets and 2 x bolts



3. Peel away wheel arch skirt to reveal bolt.
Remove 1x bolt.

Repeat for opposite side.



Hayman Reese (Cequent)
PO Box 4050, Dandenong South VIC 3164
Phone 1800 812 017 Email info@haymanreese.com.au

www.haymanreese.com.au

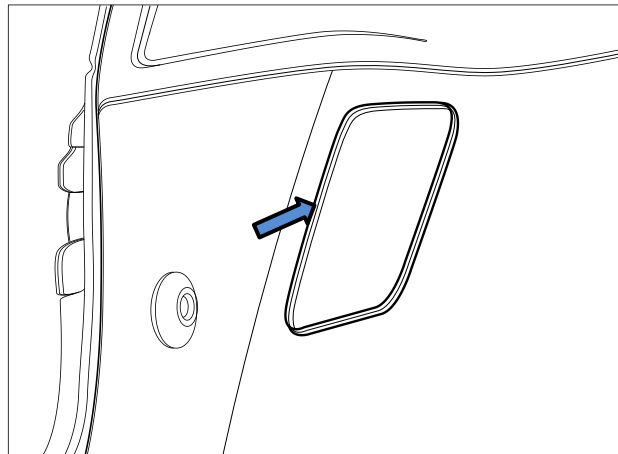


HAYMAN REESE
PART No: **03220RW**
RENAULT KOLEOS HZG CL4
INSTALLATION INSTRUCTIONS

PLEASE ENSURE THAT ALL INSTRUCTIONS ARE UNDERSTOOD PRIOR TO FITMENT
PLACE THESE INSTRUCTIONS IN THE VEHICLES'S GLOVEBOX AFTER INSTALLATION IS COMPLETED

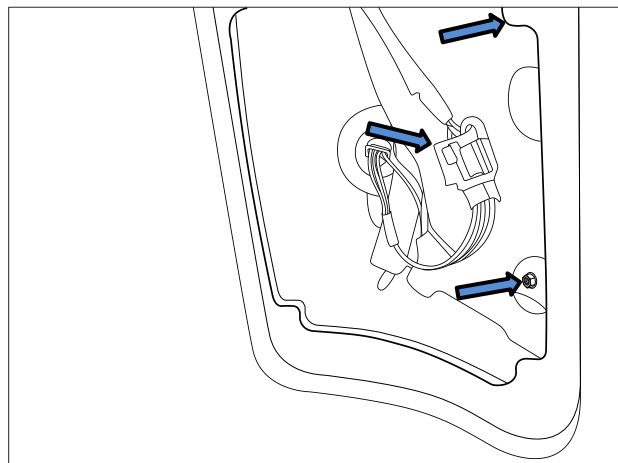
4. In the luggage compartment, remove cover to gain access to the tail light.

Repeat for other side.



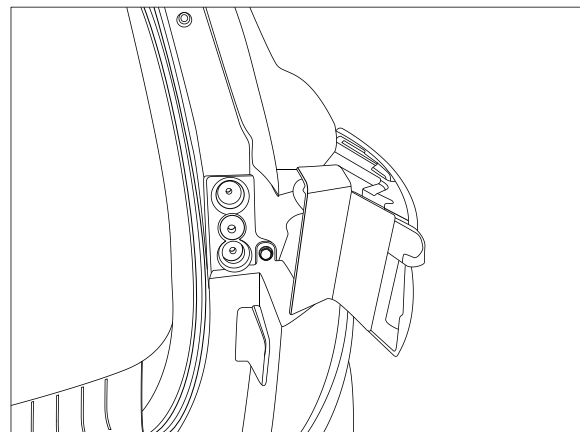
5. Remove 2 x nuts securing the tail light.
6. Disconnect the tail light wiring harness.

Repeat for other side



7. Remove tail light by pulling rearwards (This could be extremely tight).

Repeat for other side.



Hayman Reese (Cequent)
PO Box 4050, Dandenong South VIC 3164
Phone 1800 812 017 Email info@haymanreese.com.au

www.haymanreese.com.au



HAYMAN REESE

PART No: 03220RW

RENAULT KOLEOS HZG CL4

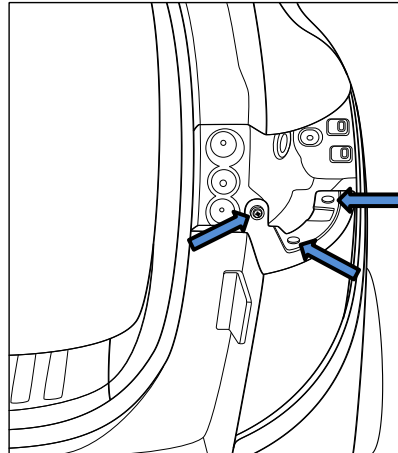
INSTALLATION INSTRUCTIONS

PLEASE ENSURE THAT ALL INSTRUCTIONS ARE UNDERSTOOD PRIOR TO FITMENT

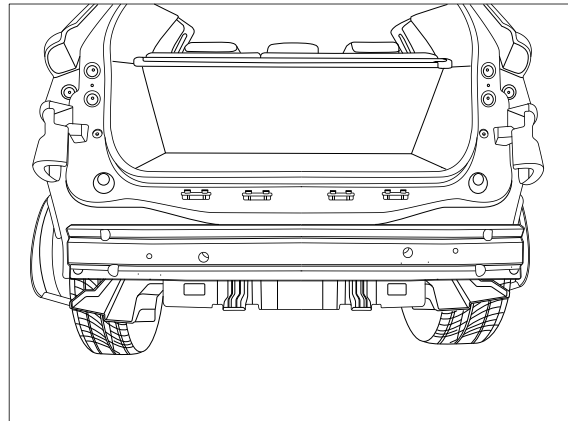
PLACE THESE INSTRUCTIONS IN THE VEHICLES'S GLOVEBOX AFTER INSTALLATION IS COMPLETED

8. In tail light cavity, remove 1 x bolt and 2 x scrivenets.

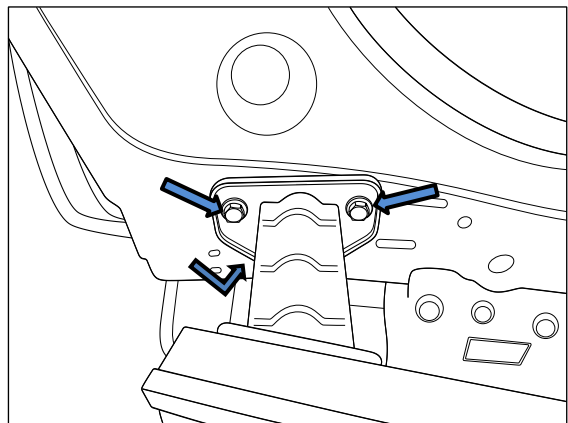
Repeat for other side



9. Remove bumper from vehicle. Ensure to disconnect wiring harness located on the LH side.



10. Remove and discard the impact beam, secured with 3 x bolts per side.



Hayman Reese (Cequent)
PO Box 4050, Dandenong South VIC 3164
Phone 1800 812 017 Email info@haymanreese.com.au

www.haymanreese.com.au



HAYMAN REESE

PART No: 03220RW

RENAULT KOLEOS HZG CL4

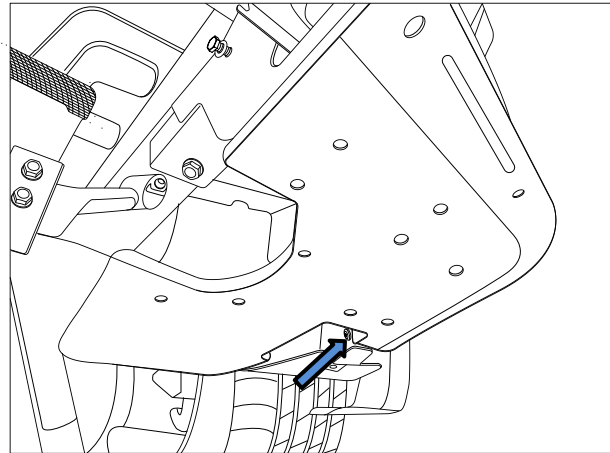
INSTALLATION INSTRUCTIONS

PLEASE ENSURE THAT ALL INSTRUCTIONS ARE UNDERSTOOD PRIOR TO FITMENT

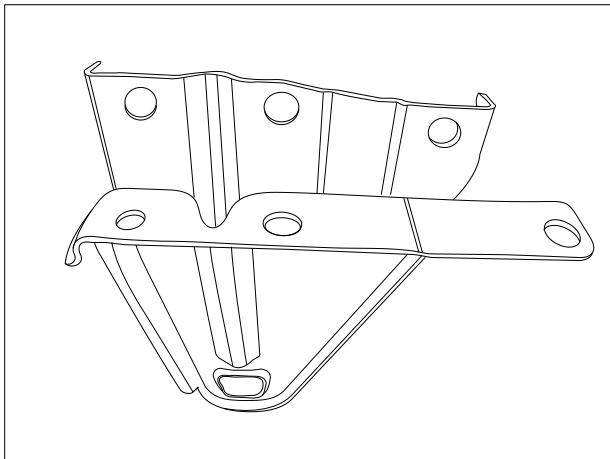
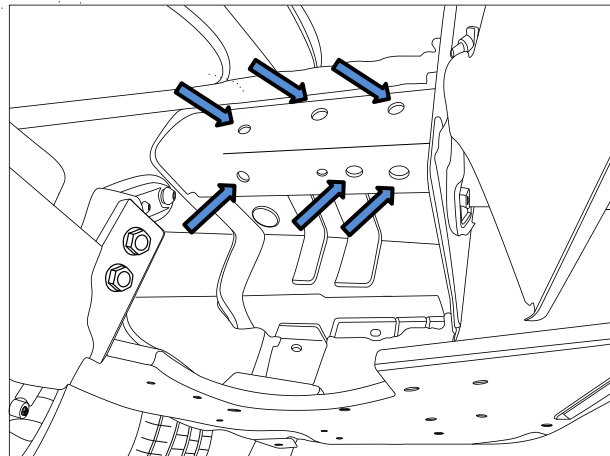
PLACE THESE INSTRUCTIONS IN THE VEHICLES'S GLOVEBOX AFTER INSTALLATION IS COMPLETED

11. On RH side remove the underbody protector secured with 1 x scrivet.

Repeat for LH side.



12. Remove and discard the recovery hook, located on RH side, secured with 6 x bolts.



Hayman Reese (Cequent)
PO Box 4050, Dandenong South VIC 3164
Phone 1800 812 017 Email info@haymanreese.com.au

www.haymanreese.com.au



HAYMAN REESE

PART No: 03220RW

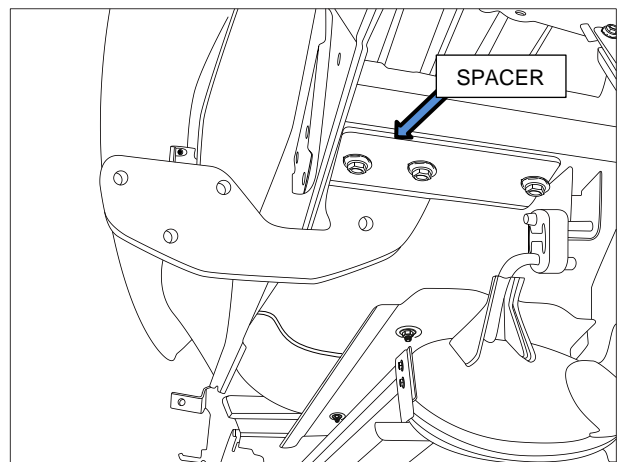
RENAULT KOLEOS HZG CL4

INSTALLATION INSTRUCTIONS

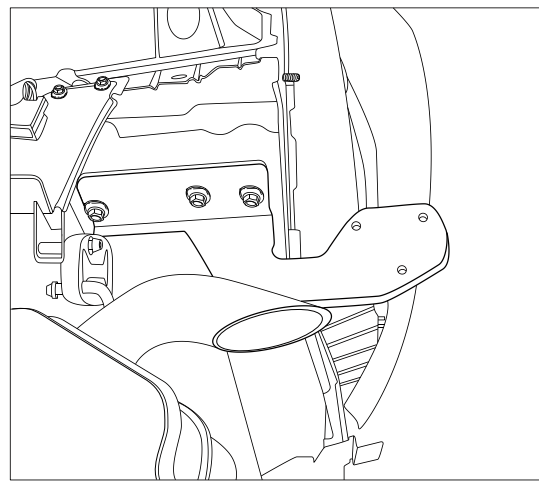
PLEASE ENSURE THAT ALL INSTRUCTIONS ARE UNDERSTOOD PRIOR TO FITMENT

PLACE THESE INSTRUCTIONS IN THE VEHICLES'S GLOVEBOX AFTER INSTALLATION IS COMPLETED

13. Fit RH Side arm along with the spacer to chassis rail and loosely secure with 5 x bolts (3 x under chassis and 2 x side of chassis) complete with 1 x washer per bolt.



14. Fit LH side arm to the chassis and loosely secure with 4 x M12 bolts (3 x under chassis and 1 x side of chassis) complete with 1 x washer per bolt.

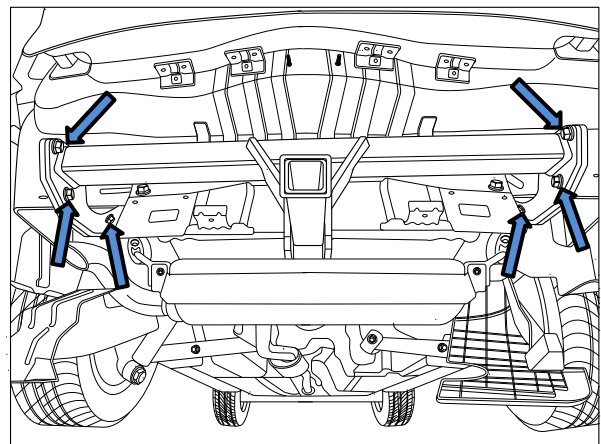


15. Fit the crosstube to the side arms and secure with 8 x M10 bolts (4 per side) complete with 2 x washers and 1 x nut per bolt.

Torque all fasteners as specified.

M10 : 48Nm

M12 : 89Nm



Hayman Reese (Cequent)
PO Box 4050, Dandenong South VIC 3164
Phone 1800 812 017 Email info@haymanreese.com.au

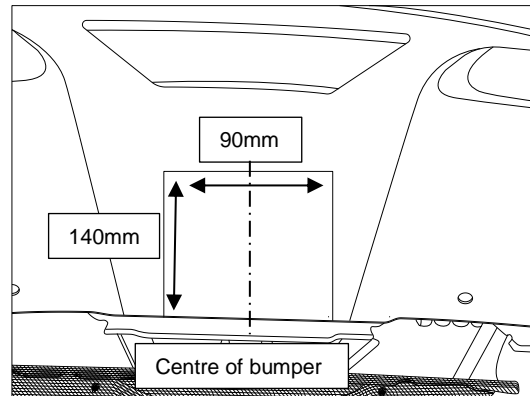
www.haymanreese.com.au



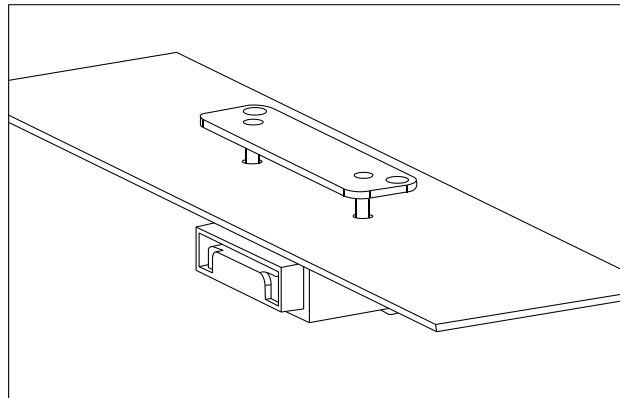
HAYMAN REESE
PART No: 03220RW
RENAULT KOLEOS HZG CL4
INSTALLATION INSTRUCTIONS

PLEASE ENSURE THAT ALL INSTRUCTIONS ARE UNDERSTOOD PRIOR TO FITMENT
PLACE THESE INSTRUCTIONS IN THE VEHICLES'S GLOVEBOX AFTER INSTALLATION IS COMPLETED

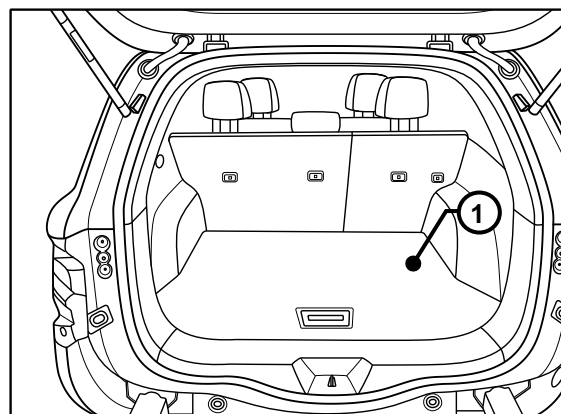
16. For the bumper cut.
Locate the centre of the bumper and mark off 90mm wide by 140mm long measured from the bottom edge of the bumper.



17. Determine an appropriate position for the plug bracket. Mark out and drill 2x \varnothing 5mm holes 69mm apart on bumper skin to support plug bracket.



18. Disconnect negative battery terminal.
19. Remove boot liner (1).
20. Remove rear sunshade.



Hayman Reese (Cequent)
PO Box 4050, Dandenong South VIC 3164
Phone 1800 812 017 Email info@haymanreese.com.au

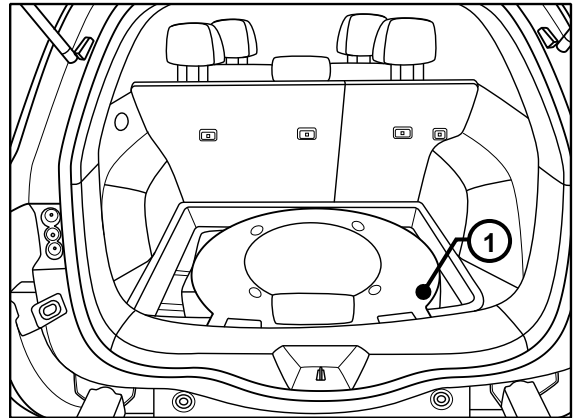
www.haymanreese.com.au



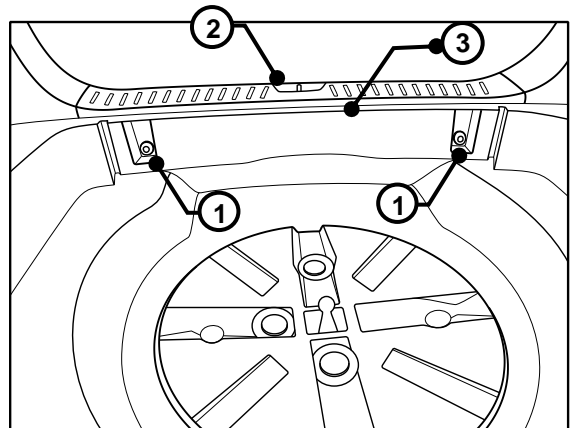
HAYMAN REESE
PART No: 03220RW
RENAULT KOLEOS HZG CL4
INSTALLATION INSTRUCTIONS

PLEASE ENSURE THAT ALL INSTRUCTIONS ARE UNDERSTOOD PRIOR TO FITMENT
PLACE THESE INSTRUCTIONS IN THE VEHICLES'S GLOVEBOX AFTER INSTALLATION IS COMPLETED

21. Remove foam tray(1)
22. Remove spare tyre (not shown).

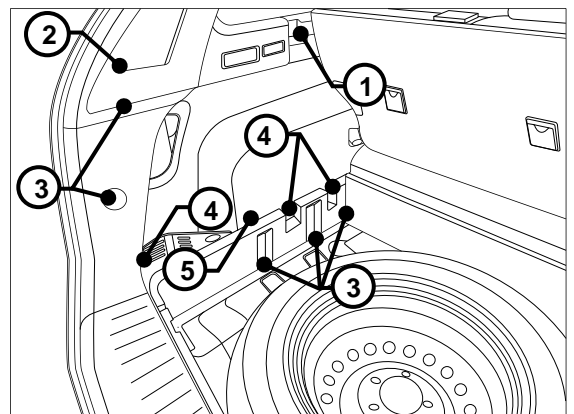


23. Remove scrivets (1).
24. Remove Boot lock cover (2)
25. Remove boot liner (3).



26. Remove 10mm bolt (1).
27. Dislodge upper LHS trim (2).
28. Remove 3 scrivets (3).
29. Remove 3 bolts (4).
30. Dislodge lower trim (5).

Repeat for RHS.



Hayman Reese (Cequent)
PO Box 4050, Dandenong South VIC 3164
Phone 1800 812 017 Email info@haymanreese.com.au

www.haymanreese.com.au

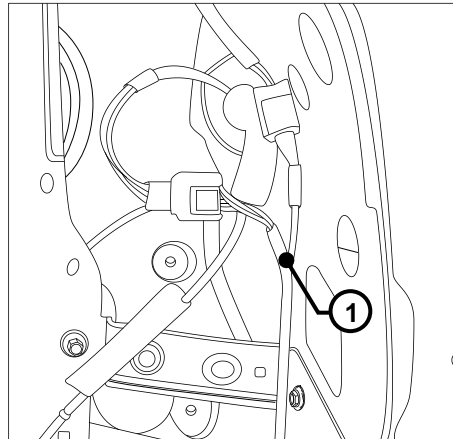


HAYMAN REESE
PART No: **03220RW**
RENAULT KOLEOS HZG CL4
INSTALLATION INSTRUCTIONS

PLEASE ENSURE THAT ALL INSTRUCTIONS ARE UNDERSTOOD PRIOR TO FITMENT
PLACE THESE INSTRUCTIONS IN THE VEHICLES'S GLOVEBOX AFTER INSTALLATION IS COMPLETED

31. Connect the long T-patch (1) from harness (101875-WL) between taillight RHS and vehicle harness.

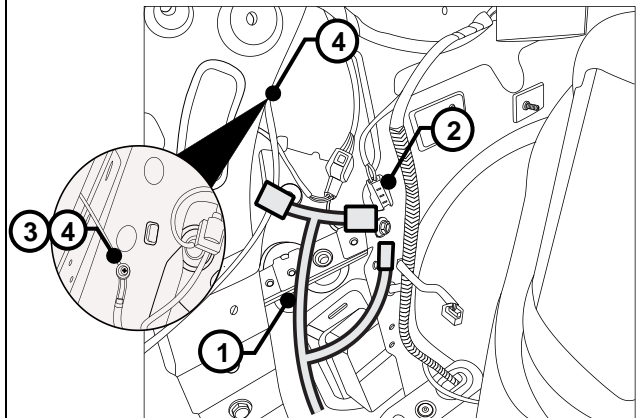
32. Route harness across the inside of the rear bumper toward the LHS.



33. Connect T-patch (1) between taillight LHS and vehicle harness.

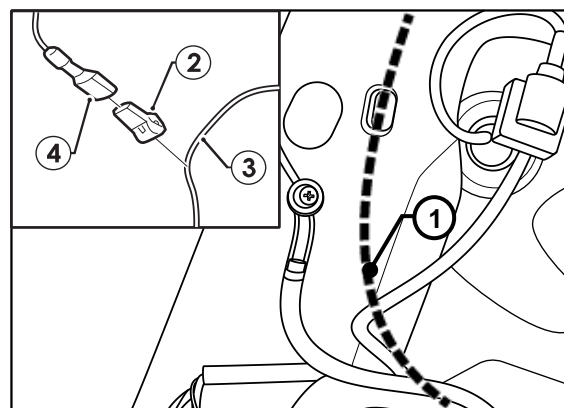
34. Connect 12V line to mating white 4-way connector (2).

35. Connect ground ring terminal (3) to existing vehicle ground (4).



36. For reverse connection, route the trailer patch BLACK/WHITE wire branch (1) up toward the rear head lining and locate the vehicle connector. Use a multi-meter to determine the wire for reverse.

37. Connect the BLACK/WHITE wire ezy-tap (2) to the corresponding vehicle wire (3), then connect the trailer patch terminal (4) to the ezy-tap (2).



Hayman Reese (Cequent)
PO Box 4050, Dandenong South VIC 3164
Phone 1800 812 017 Email info@haymanreese.com.au

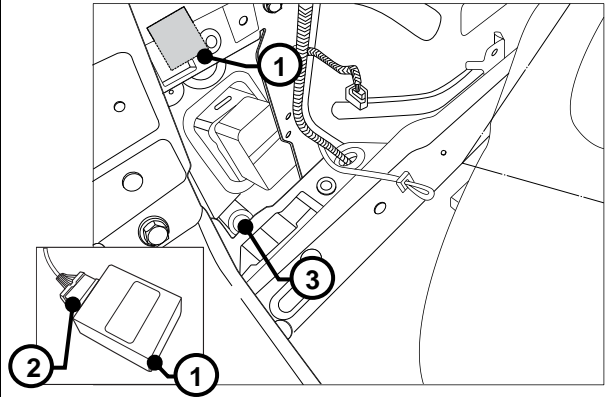
www.haymanreese.com.au



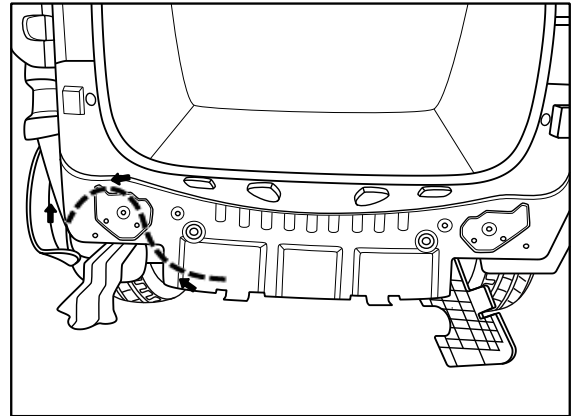
HAYMAN REESE
PART No: 03220RW
RENAULT KOLEOS HZG CL4
INSTALLATION INSTRUCTIONS

PLEASE ENSURE THAT ALL INSTRUCTIONS ARE UNDERSTOOD PRIOR TO FITMENT
PLACE THESE INSTRUCTIONS IN THE VEHICLES'S GLOVEBOX AFTER INSTALLATION IS COMPLETED

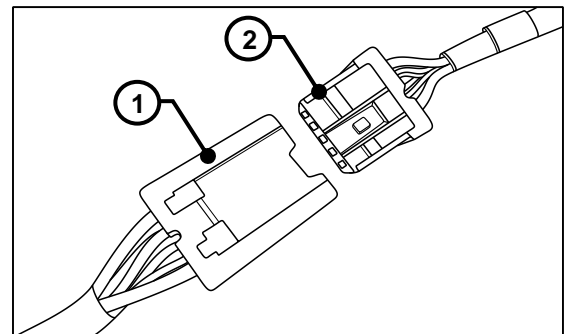
38. Connect ECU Connector (2).
39. Mount ECU (04836) (1) behind the panel in location shown.
Ensure ECU connector is facing down.
40. Remove and discard vehicle grommet (3).



41. Fasten Trailer socket to towbar using M4 fasteners (not supplied).
42. Route Tail (1200) across to the LHS and up through the previously removed grommet.
Ensure Tail is routed such that it is at least 100mm away from exhaust.



43. Rear park assist system can be disabled via infotainment system.
44. Connect the tail harness 8-way connector (1) to the trailer patch 8-way mating connector (2).



Hayman Reese (Cequent)
PO Box 4050, Dandenong South VIC 3164
Phone 1800 812 017 Email info@haymanreese.com.au

www.haymanreese.com.au



HAYMAN REESE
PART No: **03220RW**
RENAULT KOLEOS HZG CL4
INSTALLATION INSTRUCTIONS

PLEASE ENSURE THAT ALL INSTRUCTIONS ARE UNDERSTOOD PRIOR TO FITMENT
PLACE THESE INSTRUCTIONS IN THE VEHICLES'S GLOVEBOX AFTER INSTALLATION IS COMPLETED

45. Re-connect negative battery terminal.
46. Test the trailer patch function using a light board or multi-meter.
47. Secure all harnesses using cable ties (not supplied).
48. Re-fit all removed parts and secure all fasteners, ensuring there are no squeaks or rattles.
50. Place the fitting instructions in the glove box after fitment.

Hayman Reese (Cequent)
PO Box 4050, Dandenong South VIC 3164
Phone 1800 812 017 Email info@haymanreese.com.au

www.haymanreese.com.au





FITTING INSTRUCTIONS

Smart Pin (55070BL)

• These fitting instructions are supplied to ensure understanding of how the SMART PIN should be fitted and used correctly.

• Once installed, we recommend **ALL** instructions are kept and placed in the vehicle glove box.

NOTE: Routine maintenance and inspection of the towbar & SMART PIN is required. Regularly inspect for wear and check the tightness of the SMART PIN NUT. Follow instructions below to retighten the nut when necessary.

***Do not tow with your vehicle if the R CLIP or the SMART PIN NUT is loose or missing. Replacement parts are available from your Hayman Reese Distributor.**

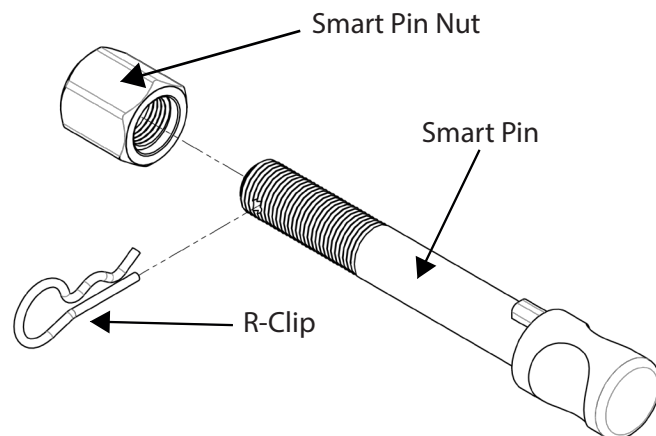
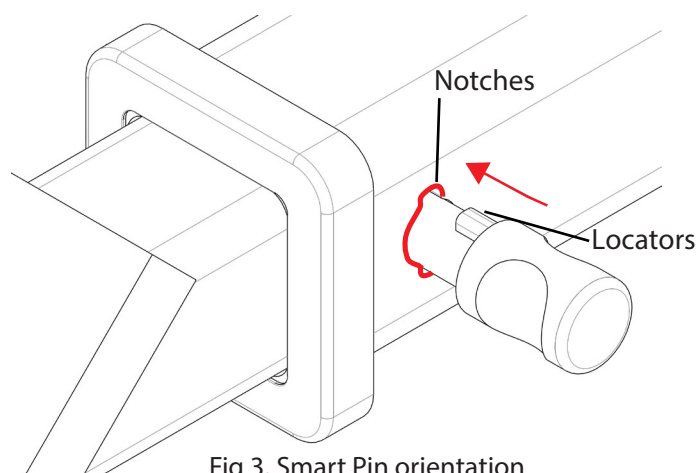
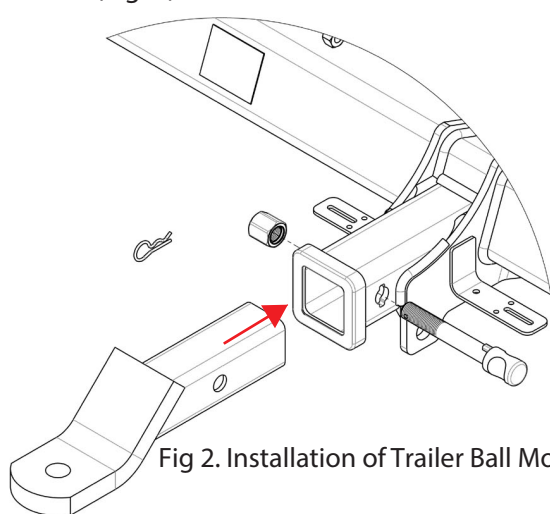


Fig 1. Smart Pin assembly

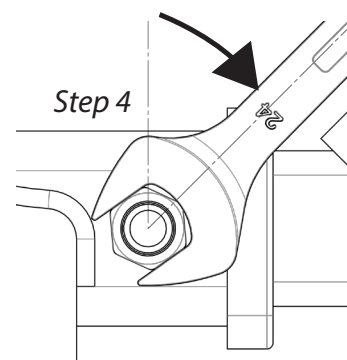
STEP 1 Insert Trailer Ball Mount (TBM) into towbar HITCHBOX, aligning hole in TBM SHANK with hole in HITCHBOX (Fig. 2).



STEP 2 Insert SMART PIN through hole in HITCHBOX and hole in TBM SHANK; ensure the LOCATORS are inserted into the NOTCHES in the HITCHBOX (Fig. 3).

STEP 3 Screw SMART PIN NUT onto SMART PIN; tighten SMART PIN NUT until finger tight, ensuring TBM is restrained from movement.

STEP 4 Tighten SMART PIN NUT by turning nut a further 1/8th of a turn in the clockwise direction using a 24mm spanner (Fig 4).



STEP 5 Install SMART PIN R CLIP through the hole on the SMART PIN (Fig. 1).

