



TOWBAR INSTALLATION INSTRUCTIONS

PART NUMBER 03299XW

ISUZU D-MAX X-BAR



PRODUCT DETAILS:

Part Number:	03299XW	Maximum Towing Braked:	3500	kg
ECU Number:	04835	Maximum Towing Unbraked:	750	kg
Tail Harness Length Required:	1200mm	Maximum Static Ball Load:	350	kg
TBM/Lug Part Number:	21366			
Wiring Part Number:	100055-WL			

FITTING DETAILS:

Towbar Installation Time:	120 mins.	Vehicle Coding Required:	NO
Wiring Installation Time:	30 mins.	RPA Disable/Other:	NO
Total Installation Time:	150 mins		
Bumper Cut Required:	No		



TOWBAR INSTALLATION INSTRUCTIONS

PART NUMBER 03299XW

ISUZU D-MAX X-BAR

ENSURE THAT INSTRUCTIONS ARE UNDERSTOOD PRIOR TO FITMENT.

i BEFORE YOU START:

Hayman Reese recommends that instructions are read completely prior to fitment. Check all hardware items have been included refer to assembly diagram. Please ensure this towbar is only fitted to vehicle models as per Hayman Reese application guide (www.haymanreese.com.au).

Bumper Cuts



Vehicle and bumper variations can and do occur during vehicle manufacture after initial towbar design. Fitment of towbar to vehicle and accuracy of bumper cut must be assessed prior to any bumper modifications made. Incorrect bumper cuts are not covered under Hayman Reese warranty.

NOTE: Bumper cuts need to be approached with care, refer to notes below.

- Bumper centreline – where the centreline of the bumper needs to be determined, the installer must assess centre point by measurement of bumper width or determining two symmetrical reference points to give centreline.
- Bumper edge – To assist with accurate bumper cut measurement, reference to the start of the bumper edge is now being commonly used.
 - Measure from bottom edge along bumper and around corner to the 70 mm point (Figure 1).
 - Do not measure from visible bumper front of corner, upwards (Figure 2).

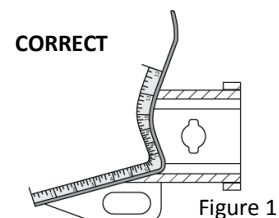


Figure 1

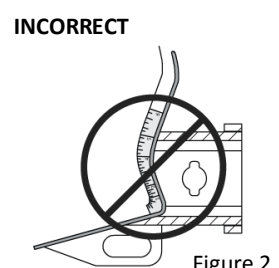


Figure 2

Drilling

- For any required drilling during installation, ensure that the area is clear of fuel, electrical & other components that may be damaged.
- All holes drilled into the body panels shall have all burrs & swarf removed then coated with a suitable rust preventative paint.

Bolts/Fasteners

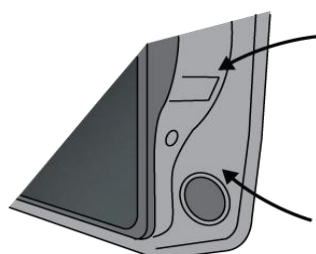
- Ensure that all hardware is fastened to correct torque as specified in this fitting instruction.
- All fasteners supplied with this product are used to achieve a specified clamp loading. If replacement is required ensure that fasteners of the same grade and class are used.



NOTE: Achieving correct torque is critical to proper installation and responsibility of the installer. Towbar failures attributed to tension issues from over tightening or under tightening are not covered by Hayman Reese warranty.

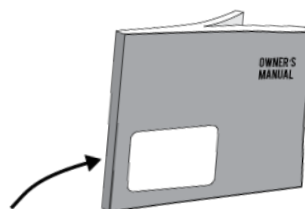
Product Labels

- a. Towbar load rating sticker provided with this product shall be conspicuously located on inside rear end of the driver's door.
- b. Powertrain Control Module (PCM)/Body Control Module (BCM) upgrade warning label will be provided in towbar kit for vehicles as required. Affix warning label in door and owner's handbook.



Place **Load Rating sticker** inside driver's door here

Place **Vehicle PCM/ BCM upgrade warning label** in door AND on front cover of owner's service handbook



WARNING:

Do not, drill, cut, weld or otherwise modify the towbar.

FOR TOWING PURPOSES ONLY - This towbar is designed and tested by Hayman Reese to adhere to ADR 62/02 which provides only for the expected load demands of towing.

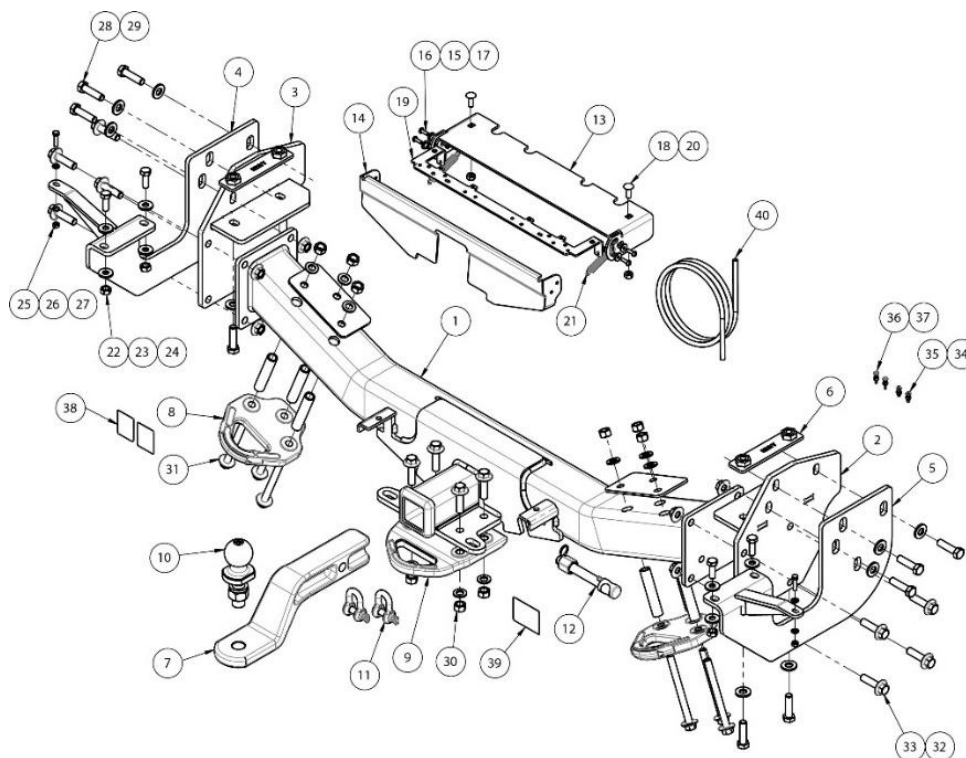


TOWBAR INSTALLATION INSTRUCTIONS

PART NUMBER 03299XW

ISUZU D-MAX X-BAR

i TOWBAR ASSEMBLY DIAGRAM



ITEM	DESCRIPTION	QTY
1	ISUZU DMAX WELDED ASSEMBLY	1
2	ISUZU DMAX SIDE ARM RHS	1
3	ISUZU DMAX SIDE ARM LHS	1
4	LHS STEP BRACKET	1
5	RHS STEP BRACKET	1
6	NUT PLATE	2
7	FORGED TBM 65MM DROP 3.5T	1
8	FORGED SIDE RECOVERY HOOK	2
9	FORGED CENTRE RECOVERY HOOK	1
10	HR TOWBALL	1
11	"D" SHACKLE 10mm	2
12	ANTI-RATTLE PULL PIN ASSY GOLD	1
13	WIRING HOUSING	1
14	XBAR REAR COVER	1
15	BUSH 15ODx8Lx5ID	4
16	SET SCREW HEX HD M5x16x0.8P	4
17	NUT NYLOC INS HEX M5x0.8P	4
18	BOLT COACH M8x20x1.25P	2
19	PLUG PLATE	1
20	NUT NYLOC HEX M8x1.25P	2

ITEM	DESCRIPTION	QTY
21	XBAR COVER SPRING 60Lx100Dx1P	2
22	NUT HEX M10x1.5P	4
23	WASHER PLAIN M10x25x3	8
24	SET SCREW HEX HD M10x30x1.5P	4
25	NUT HEX M6x1.0P	2
26	WASHER PLAIN M6x12.5x1.2	4
27	SET SCREW HEX HD M6x25x1P	2
28	SET SCREW HEX HD M12x45x1.25P	10
29	WASHER PLAIN 1/2x1-1/8x16	10
30	CENTRE RECOVERY HOOK BOLT KIT	1
31	SIDE RECOVERY HOOK BOLT KIT	2
32	NUT HEX FLANGE M12x1.25P	8
33	SET SCREW HEX HD FLANGE M12x45x1.25P	8
34	NUT NYLOC HEX M4x0.7P	2
35	SCREW PAN HD M4x16x0.7P	2
36	SCREW PAN HD M3x20x0.7P	2
37	NUT NYLOC HEX M3x0.7P	2
38	XBAR LOGO STICKER	2
39	ACRYLIC COMPLIANCE LABEL	1
40	WIRING LOOM	1



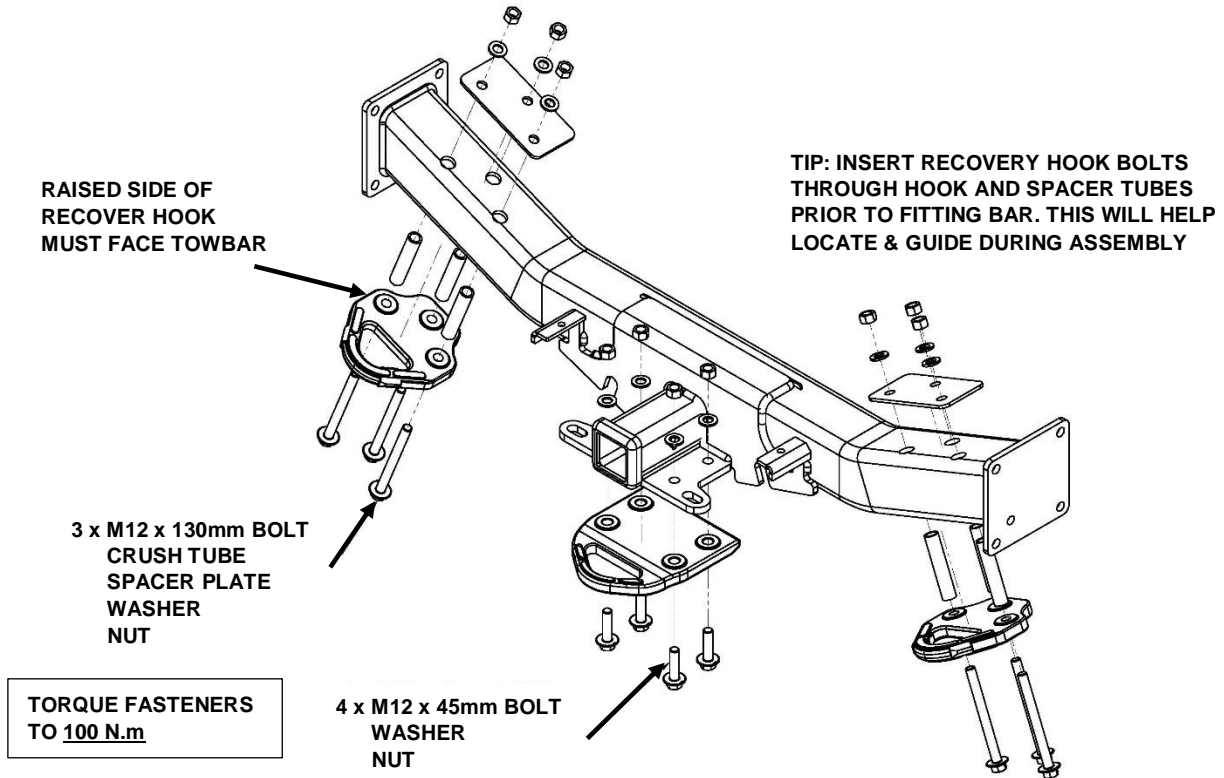
TOWBAR INSTALLATION INSTRUCTIONS

PART NUMBER 03299XW

ISUZU D-MAX X-BAR

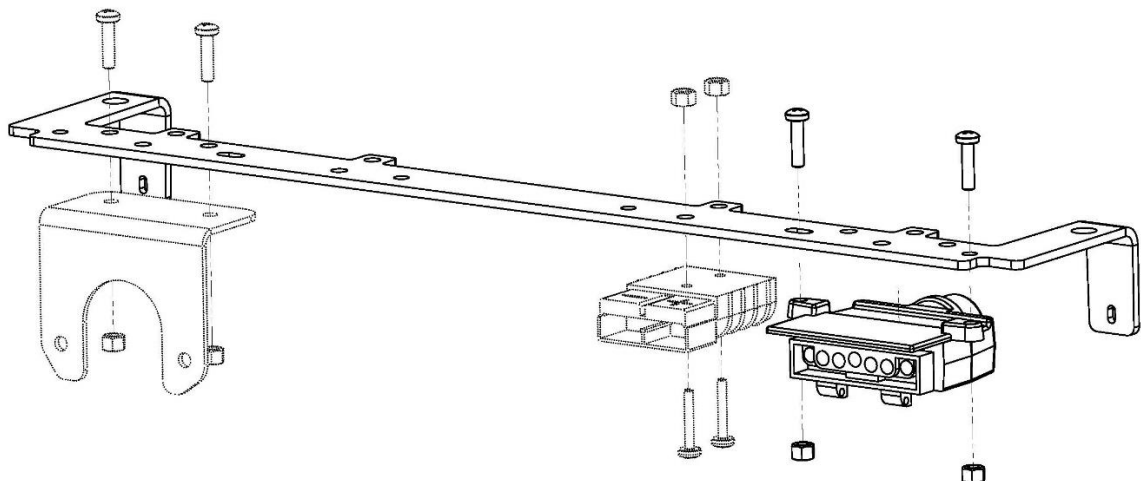
NOTE: Pre-assembly of X-Bar centre section can assist for vehicles with difficult access.

A. BOLT RECOVERY HOOKS TO TOWBAR



B. MOUNT PLUGS TO BRACKET

AFTER CHOOSING YOUR DESIRED PLUG CONFIGURATION, INSTALL PLUGS AND WIRING TO BRACKET USING FASTENERS PROVIDED





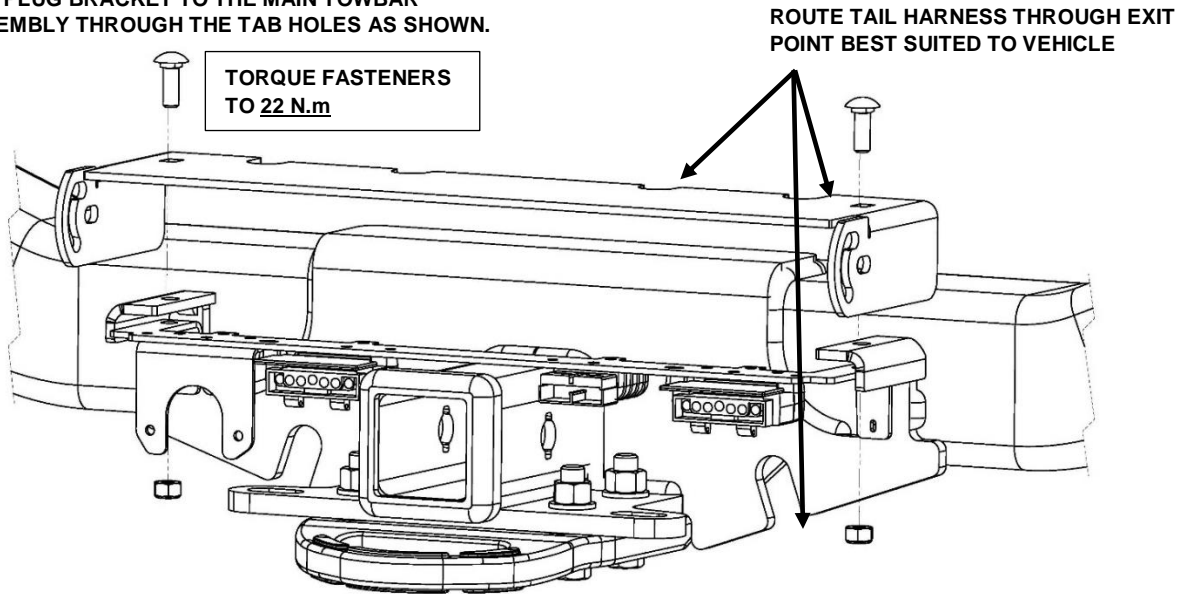
TOWBAR INSTALLATION INSTRUCTIONS

PART NUMBER 03299XW

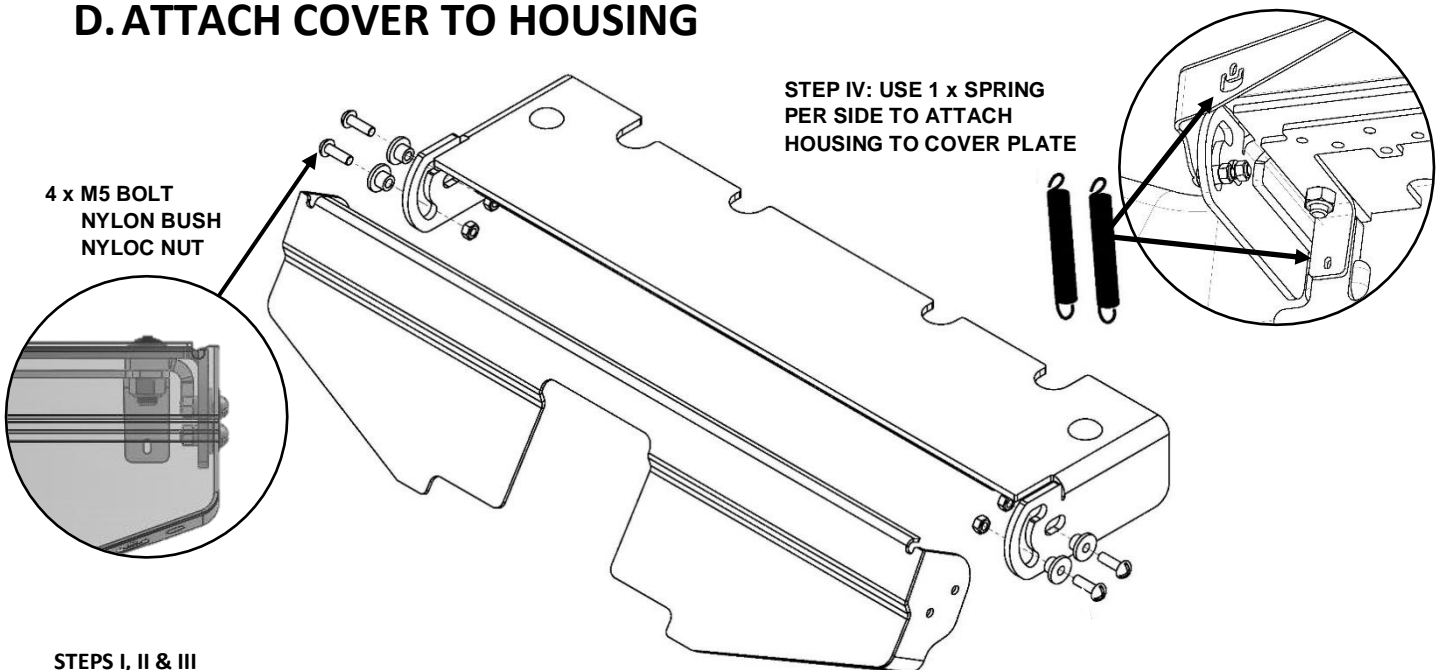
ISUZU D-MAX X-BAR

C. INSTALL WIRING HOUSING

USING 2 x M8 COACH BOLTS COMPLETE WITH 1 x NYLOC NUT PER BOLT, SECURE THE WIRING HOUSING AND PLUG BRACKET TO THE MAIN TOWBAR ASSEMBLY THROUGH THE TAB HOLES AS SHOWN.



D. ATTACH COVER TO HOUSING



STEPS I, II & III

- I. INSERT BUSHES INTO SLOTS
- II. THEN PLACE COVER OVER HOUSING, LINING UP BUSHES WITH SCREW HOLES
- III. FINALLY FASTEN COVER TO HOUSING BY PUSHING SCREWS THROUGH BUSHES AND SECURING WITH NUTS

NOTE: DO NOT OVERTIGHTEN FASTENERS TO ENSURE COVER ASSEMBLY CAN ROTATE FREELY & TO PREVENT DAMAGE TO BUSHES

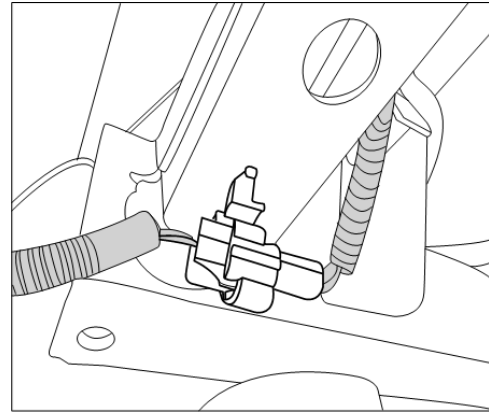


TOWBAR INSTALLATION INSTRUCTIONS

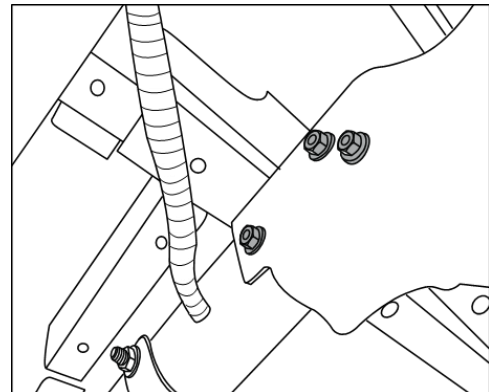
PART NUMBER 03299XW

ISUZU D-MAX X-BAR

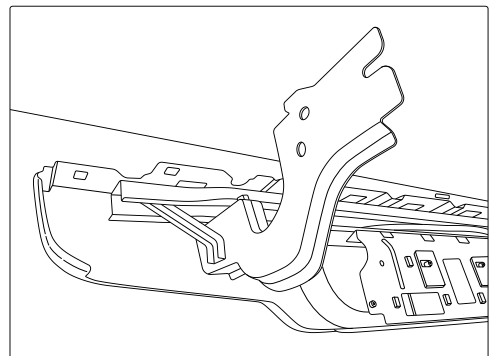
1. Disconnect rear registration light plug connection.



2. Remove 3 bolts from LH & RH side step mounting brackets and remove step.



3. Remove plastic skin from rear step. Remove & discard factory step brackets.
4. Loosely attach supplied brackets (Item numbers 4 & 5 from pg. 3) with 2 x M10 bolts complete with 2 x washers and 1 x nut, and 1 x M8 bolt complete with 2 x washers and 1 x nut for both RH & LH side.





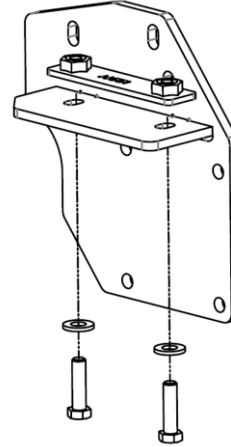
TOWBAR INSTALLATION INSTRUCTIONS

PART NUMBER 03299XW

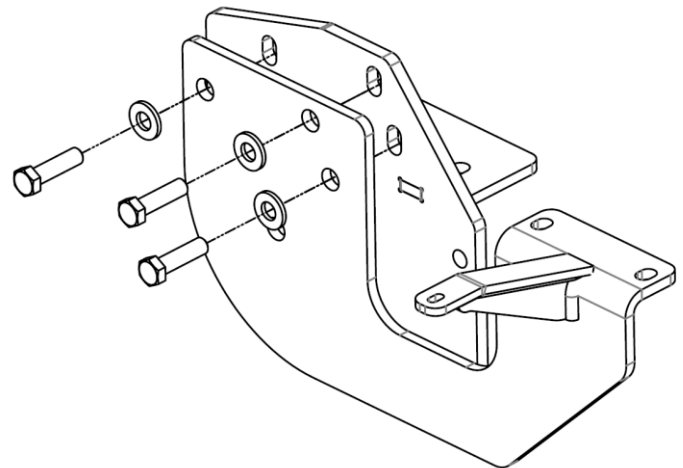
ISUZU D-MAX X-BAR

-
5. Loosely secure towbar sidearm to vehicle chassis rail using nut plate inserted into chassis rail and 2 x M12 x 45mm bolts complete with 1 x washer per bolt.

Repeat for opposite side.



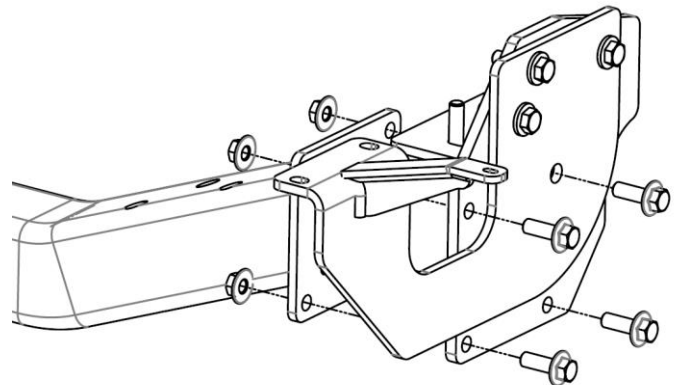
-
6. Lift step brackets to outside of sidearms and loosely secure to sidearm and chassis rail with 3 x M12 bolts, complete with 1 x washer per bolt.



-
7. Lift centre welded assembly up to side arms and loosely secure with 4 x M12 flange bolts per side, complete with 1 x M12 flange nut per bolt.

Repeat for opposite side.

If not already done, complete pre-assembly steps A, B, C & D now.





TOWBAR INSTALLATION INSTRUCTIONS

PART NUMBER 03299XW

ISUZU D-MAX X-BAR

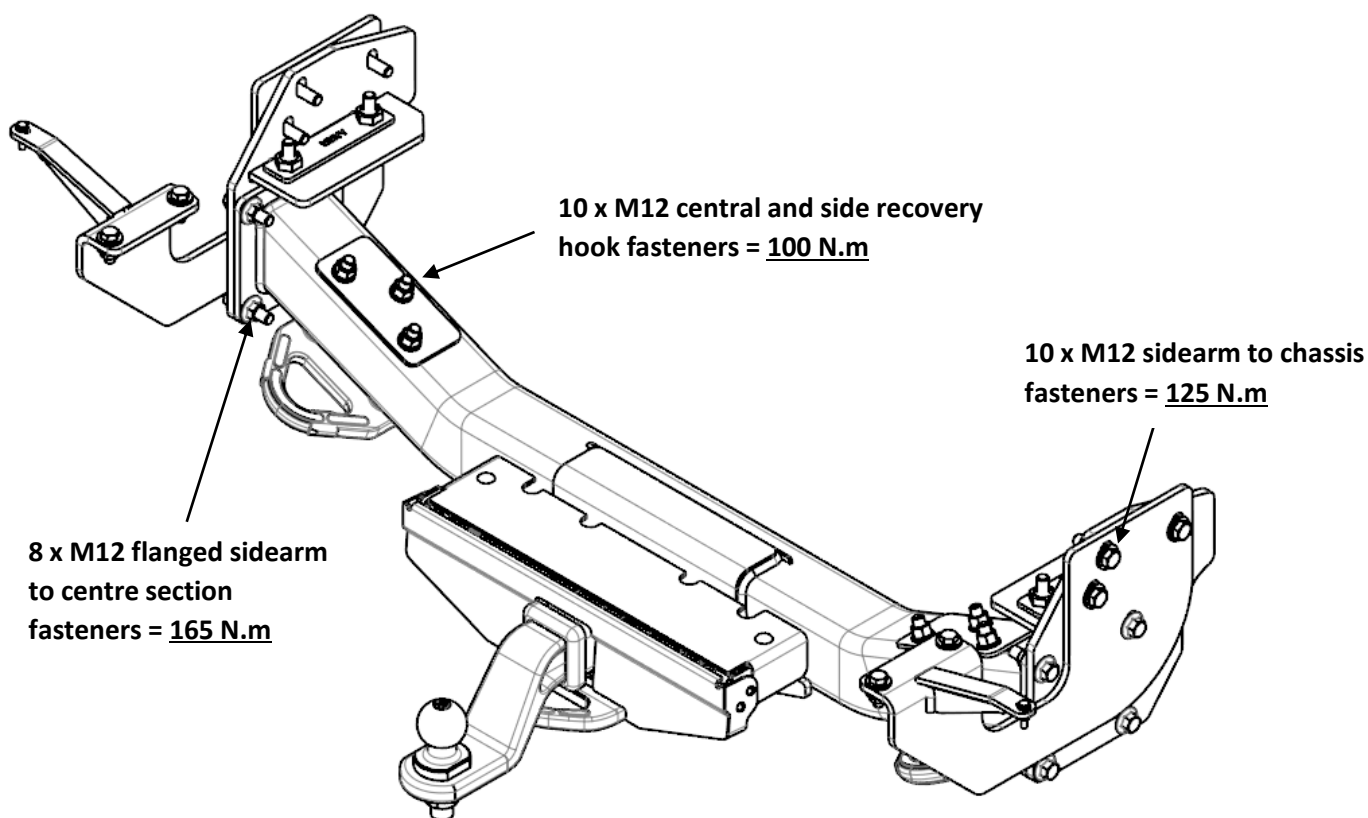
8. Torque step fasteners as follows:

M8 = 22 Nm

M10 = 44 Nm

Reattach plastic step skin.

9. Torque all remaining fasteners as follows:



IMPORTANT: Ensure all bolts are tightened to correct torques using a calibrated torque wrench. Tighten side arms to chassis rail first in an even pattern/sequence. Repeat for centre section to side arms and finally torque all other fasteners.

HINT: Tighten step bracket to towbar whilst holding the step up so that enough clearance is present between step and hitch box.



TOWBAR INSTALLATION INSTRUCTIONS

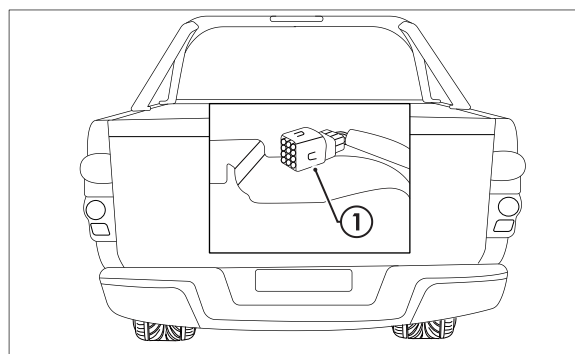
PART NUMBER 03299XW

ISUZU D-MAX X-BAR

IMPORTANT

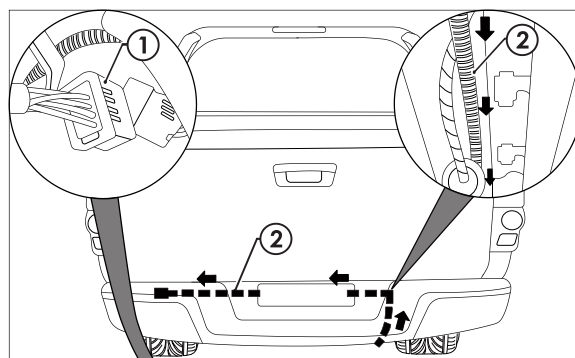
Due to possible vehicle variations, always confirm any noted vehicle colour wires with a multi-meter to ensure the correct function is identified before soldering or scotch locking. For vehicle wires denoted with two colours (example; RED/GREEN) the first colour will always be the main wire colour while the second colour is the thinner trace colour on the wire.

10. Underneath the rear of the vehicle, locate and disconnect the LHS vehicle trailer break-out connector (1).



11. Connect the Trailer Patch Harness (part no. 100055-WL) to the LHS break-out connector (1).

12. Route Tail Harness (length 1200mm) (2) towards the Trailer Patch Harness and connect the Trailer Patch Harness to the Trailer tail Harness.



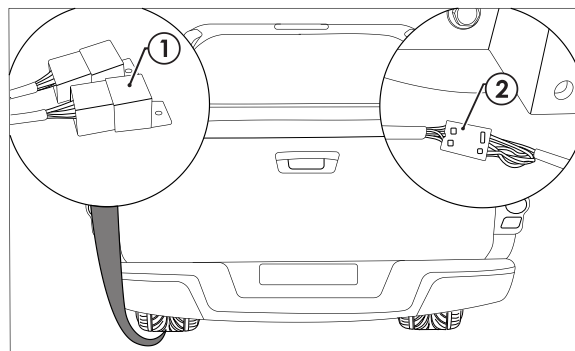


TOWBAR INSTALLATION INSTRUCTIONS

PART NUMBER 03299XW

ISUZU D-MAX X-BAR

-
13. Secure the Trailer Patch Harness relays (1) onto the interior vehicle sheet metal as shown using tech screws.
 14. Secure the vehicle patch harness and Tail Harness connectors (2) using cable ties (not supplied).



-
15. Test the Tail Harness socket using a light board or multimeter.
 16. Secure all harnesses using cables ties (not supplied).
 17. Re-fit all removed parts and secure all fasteners ensuring there are no squeaks or rattles.
 18. Place instructions in glove box after fitment.
-



CUSTOMER INFORMATION

PLACE THESE INSTRUCTIONS IN THE
VEHICLE'S GLOVEBOX AFTER INSTALLATION

**THANK YOU FOR PURCHASING HAYMAN REESE.
WITH CORRECT MAINTENANCE AND CARE THIS PRODUCT WILL PROVIDE A
LIFETIME OF TROUBLE-FREE OPERATION.**

i TOWBAR MAINTENANCE AND CARE:

1. Hayman Reese recommend that the towbar LUG or TBM (tow ball Mount) Pull Pin and R-clip are removed and stored when not in use. Removal of LUG or TBM (tow ball mount) is advisable when not in use to assist with any of the following.
 - Ensure rear number plate is not obscured.
 - Allow maximum available departure angle and prevent any potential interference.
 - Prevent possible interference with vehicles reverse sensors or camera detecting a tow ball mount as an obstruction during reversing.
 - Removes towball mount as an obstruction for when moving around the rear of the vehicle.
2. Hayman Reese recommends routine inspection of your towbar to ensure trouble free towing.
 - Bolt security and tension should be regularly inspected and checked for correct tension. Replace any worn or defective parts with suitable grade & class fasteners. Inspection should be requested to coincide with vehicle major services.
3. It is the owner's responsibility to ensure towing and down ball weight capacities of the towing vehicle are not exceeded.
 - Towing and down ball weights allowable may differ according to model variations. Please refer to owner's manual or vehicle dealer to confirm exact rating for your vehicle model variant.
 - It is not uncommon for the vehicle tow rating to differ from the towbar rating. When this occurs, the lesser rating must be adhered to.
 - For vehicles fitted with enhanced vehicle functions that may be altered/changed when towing i.e Trailer sway mitigation, blind spot detection, adaptive cruise control etc. Please consult owner's manual to understand changes enabled when towing and after towing.

i WARRANTY INFORMATION:

Hayman Reese Towbars are covered by a Lifetime Warranty.

Our goods come with guarantees that cannot be excluded under the Australian Consumer Law. You are entitled to a replacement or refund for a major failure and for compensation for any other reasonably foreseeable loss or damage. You are also entitled to have the goods repaired or replaced if the goods fail to be of acceptable quality and the failure does not amount to a major failure.

For further details please visit www.haymanreese.com.au/warranty or contact customer service on 1800 812 017 or info@haymanreese.com.au.



CUSTOMER INFORMATION

PLACE THESE INSTRUCTIONS IN THE VEHICLE'S GLOVEBOX AFTER INSTALLATION

HAYMAN REESE SMART PIN

Your Hayman Reese towbar is equipped with Smart Pin technology to help reduce towbar tongue rattle in most driving conditions. Please ensure below instructions are understood and routine maintenance is carried out to ensure best towing experience.

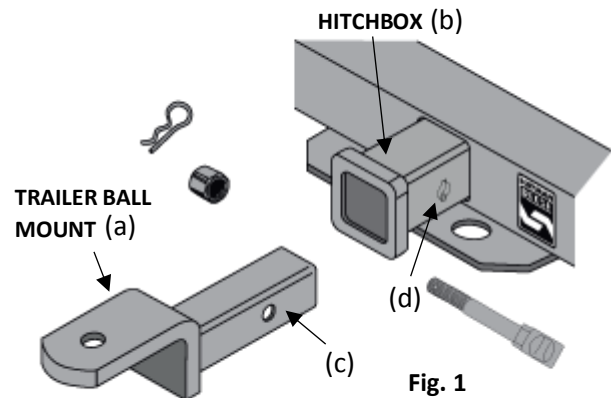
i Regularly inspect for wear and check the tightness of the Smart Pin Nut. Follow instructions below to re-tighten the nut as necessary when movement and noise in the tow ball mount is noted.

- Before towing, ensure R-Clip is properly installed and Smart pin nut is installed and tensioned. Replacement parts are available from your Hayman Reese Distributor.

TOWBALL MOUNT REMOVAL/INSTALLATION

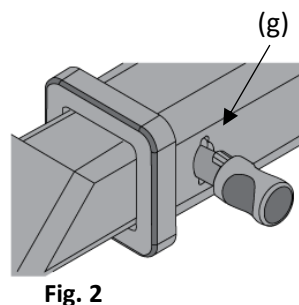
STEP 1

Insert Trailer Ball Mount (TBM) (a) into towbar hitchbox (b), aligning hole in TBM shank (c) with hole in hitchbox (d) (Fig. 1)



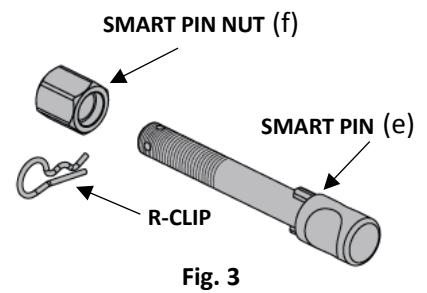
STEP 2

Insert Smart Pin (e) through hole in hitchbox and hole in TBM shank (g); ensure the locators are inserted into the notches in the hitchbox (Fig. 2)



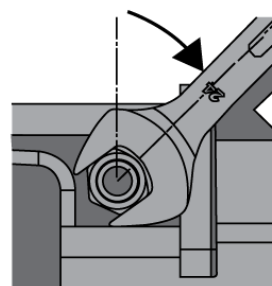
STEP 3

Screw Smart Pin Nut (f) onto Smart Pin (g); tighten Smart Pin Nut until finger tight, ensuring TBM is restrained from up and down movement.



STEP 4

Tighten Smart Pin Nut by turning nut a further 1/8th of a turn in the clockwise direction using a 24mm spanner (Fig. 4).



STEP 5

Install Smart Pin R-Clip through the hole that provides best clearance or easiest access. (Fig. 5)

