



# TOWBAR INSTALLATION INSTRUCTIONS

PART NUMBER 03345RW

VW AMAROK 2H V6 CL4 C/C



## PRODUCT DETAILS:

Part Number:	03345RW	Maximum Towing Braked:	3500	kg
ECU Number:	WLE70004	Maximum Towing Unbraked:	750	kg
Tail Harness Length Required:	1200 mm	Maximum Static Ball Load:	300	kg
TBM/Lug Part Number:	21161			
Wiring Part Number:	WLL90004			

## FITTING DETAILS:

Towbar Installation Time:	45 Mins.	Hayman Reese SmartCODE Solution Required:	YES
Wiring Installation Time:	30 Mins.	RPA Disable/Other:	YES
Total Installation Time:	75 Mins.	Note:	
Bumper Cut Required:	No		

- Electric Brake = Brake Prep Connector
- Suits vehicles with OEM plastic rear step fitted.



# TOWBAR INSTALLATION INSTRUCTIONS

PART NUMBER 03345RW

VW AMAROK 2H V6 CL4 C/C

**ENSURE THAT INSTRUCTIONS ARE UNDERSTOOD PRIOR TO FITMENT.**

## **i** BEFORE YOU START:

Hayman Reese recommends that instructions are read completely prior to fitment. Check all hardware items have been included refer to assembly diagram. Please ensure this towbar is only fitted to vehicle models as per Hayman Reese application guide ([www.haymanreese.com.au](http://www.haymanreese.com.au)).

### Bumper Cuts



Vehicle and bumper variations can and do occur during vehicle manufacture after initial towbar design. Fitment of towbar to vehicle and accuracy of bumper cut must be assessed prior to any bumper modifications made. Incorrect bumper cuts are not covered under Hayman Reese warranty.

**NOTE: Bumper cuts need to be approached with care, refer to notes below.**

- Bumper centreline – where the centreline of the bumper needs to be determined, the installer must assess centre point by measurement of bumper width or determining two symmetrical reference points to give centreline.
- Bumper edge – To assist with accurate bumper cut measurement, reference to the start of the bumper edge is now being commonly used.
  - Measure from bottom edge along bumper and around corner to the 70 mm point (Figure 1).
  - Do not measure from visible bumper front of corner, upwards (Figure 2).

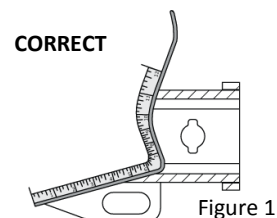


Figure 1

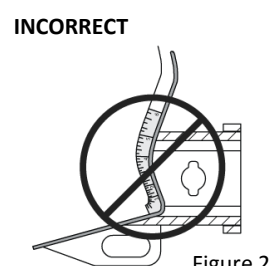


Figure 2

### Drilling

- For any required drilling during installation, ensure that the area is clear of fuel, electrical & other components that may be damaged.
- All holes drilled into the body panels shall have all burrs & swarf removed then coated with a suitable rust preventative paint.

### Bolts/Fasteners

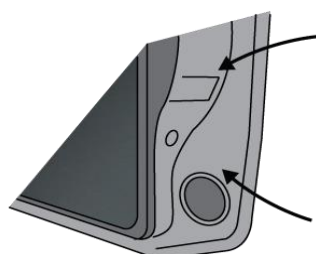
- Ensure that all hardware is fastened to correct torque as specified in this fitting instruction.
- All fasteners supplied with this product are used to achieve a specified clamp loading. If replacement is required ensure that fasteners of the same grade and class are used.



**NOTE: Achieving correct torque is critical to proper installation and responsibility of the installer. Towbar failures attributed to tension issues from over tightening or under tightening are not covered by Hayman Reese warranty.**

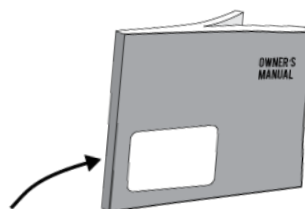
### Product Labels

- a. Towbar load rating sticker provided with this product shall be conspicuously located on inside rear end of the driver's door.
- b. Powertrain Control Module (PCM)/Body Control Module (BCM) upgrade warning label will be provided in towbar kit for vehicles as required. Affix warning label in door and owner's handbook.



Place **Load Rating sticker** inside driver's door here

Place **Vehicle PCM/ BCM upgrade warning label** in door AND on front cover of owner's service handbook



## **WARNING:**

**Do not, drill, cut, weld or otherwise modify the towbar.**

**FOR TOWING PURPOSES ONLY - This towbar is designed and tested by Hayman Reese to adhere to ADR 62/02 which provides only for the expected load demands of towing.**

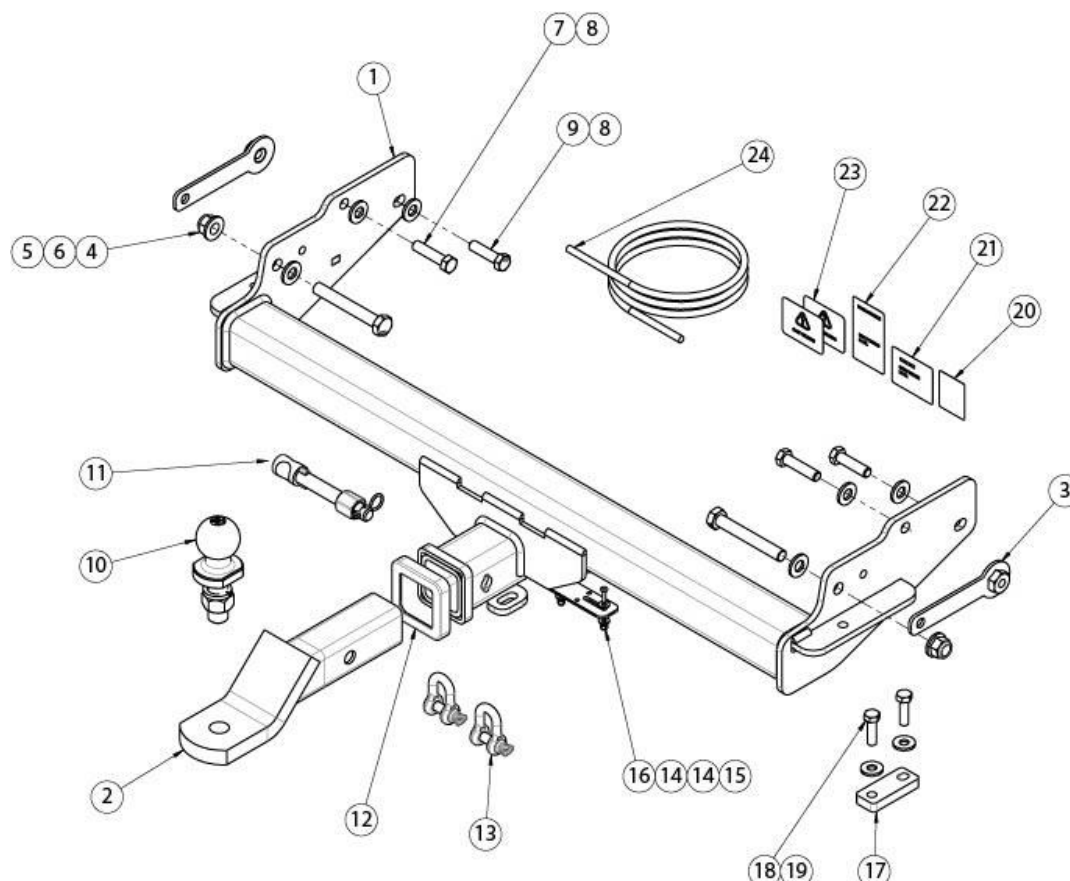


# TOWBAR INSTALLATION INSTRUCTIONS

PART NUMBER 03345RW

VW AMAROK 2H V6 CL4 C/C

## **i** TOWBAR ASSEMBLY DIAGRAM



ITEM	DESCRIPTION	QTY
1	VW AMAROK V6 WELDED ASSEMBLY	1
2	TRAILER BALL MOUNT	1
3	ROOT NUT BRACKET WELDED ASSY	2
4	NUT HEX FLANGE NYLON INSERT M14x2.0P	2
5	BOLT HEX HD M14x100x2.0P	2
6	WASHER PLAIN M14x28x3	2
7	BOLT HEX HD M12x50x1.75P	2
8	WASHER PLAIN 1/2"	4
9	SET SCREW HEX HD M12x45x1.5P	2
10	TOWBALL 50mm	1
11	SMART PIN GOLD	1
12	HITCH BOX COLLAR COVER	1

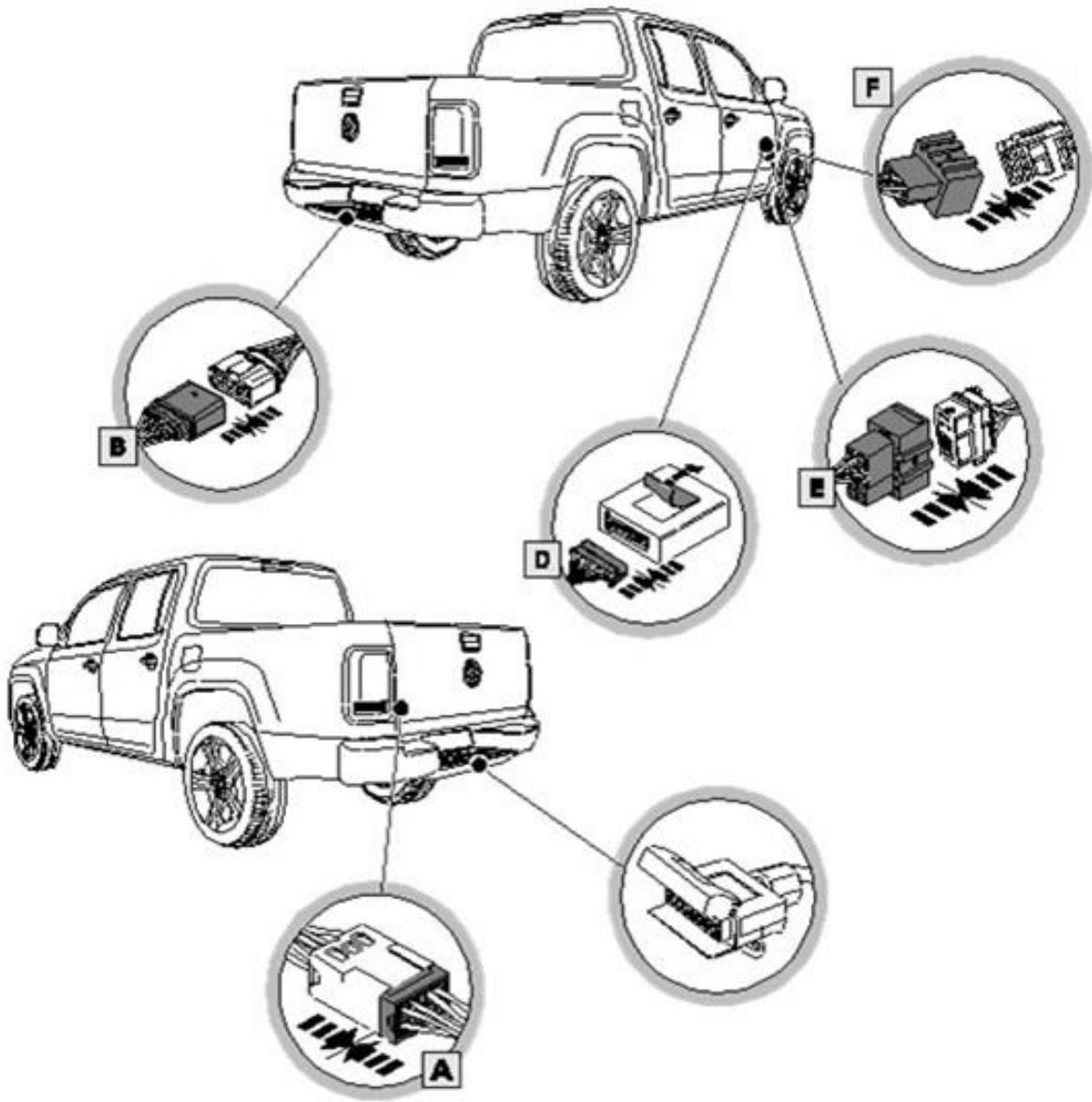
ITEM	DESCRIPTION	QTY
13	"D" SHACKLE 10mm	2
14	WASHER PLAIN3/16x1/2x20	4
15	SCREW PAN HD M4x16x0.7P	2
16	NUT NYLOC HEX HD M4x0.7P	2
17	SPARE WHEEL SPACER PLATE	1
18	SET SCREW HEX HD M10x35x1.5P	2
19	WASHER PLAIN M10x25x3	2
20	HAYMAN REESE LOGO STICKER	1
21	COMPLIANCE LABEL	1
22	DOOR RATING LABEL	1
23	CAN MODULE WARNING LABEL	2
24	WIRING LOOM	1



# TOWBAR INSTALLATION INSTRUCTIONS

PART NUMBER 03345RW  
VW AMAROK 2H V6 CL4 C/C

**i** WIRING ASSEMBLY DIAGRAM  
NOTE: TUB VARIANT SHOWN

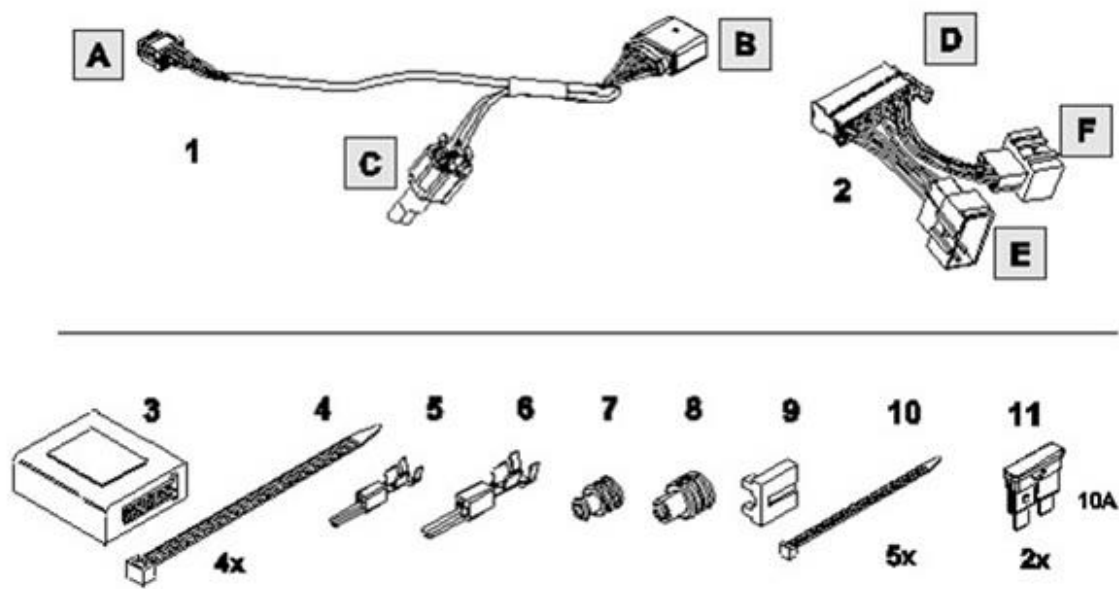




# TOWBAR INSTALLATION INSTRUCTIONS

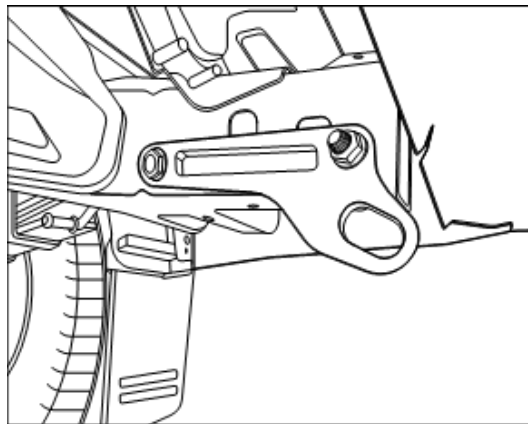
PART NUMBER 03345RW

VW AMAROK 2H V6 CL4 C/C



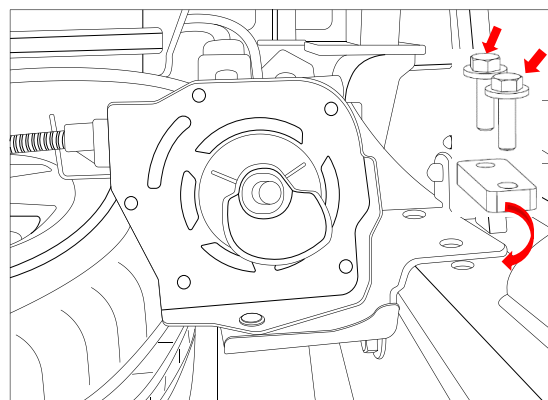
ITEM	DESCRIPTION	QTY
1	Rear outside harness	1
2	Front inside harness	1
3	Trailer module → WLE70004	1
4	Tie Straps – 300mm long	4
5	Brake controller plug pin - small	1
6	Brake controller plug pin - large	1
7	Weather Seal brake controller plug - small	1
8	Weather Seal brake controller plug - large	1
9	Secondary lock brake controller plug	1
10	Tie straps - 150mm long	5
11	Fuse 10A - red	2

1. Disconnect the negative battery terminal.
2. If fitted, remove bolts securing the recovery hook; discard fasteners and hook.



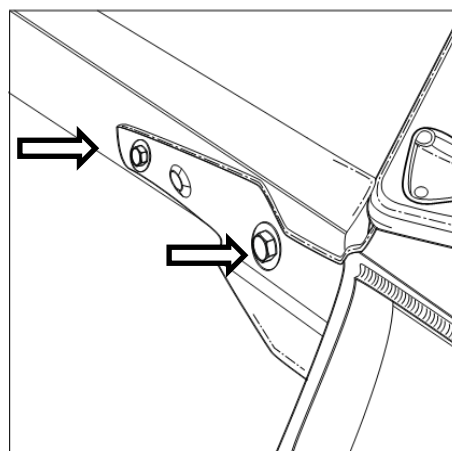
3. On the right side chassis rail, raise the position of the spare wheel winder mechanism by removing the 2 x bolts, inserting the supplied spacer plate between the chassis and the carrier, and securing with the supplied 2 x M10 bolts complete with 1 x spacer per bolt. **Torque to 44Nm.**

Note: It may be more practical to refit the spare wheel carrier after the towbar fitment.



4. Carefully remove the 2 x bolts securing the step to the chassis rail.

Repeat for opposite side and remove and discard step.





# TOWBAR INSTALLATION INSTRUCTIONS

PART NUMBER 03345RW

VW AMAROK 2H V6 CL4 C/C

5. Using two people, lift towbar up to chassis frame. Loosely secure sidearms to chassis rails with.

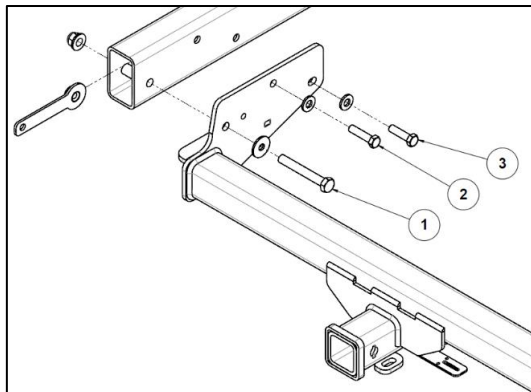
- M14 x 110mm bolt, 1 x washer and 1 x flanged nut
- M12 x 50mm x 1.75P bolt, 1 x washer and 1 x nut plate (item 3 on pg. 3, inserted into chassis rail)
- M12 x 45mm x 1.5P bolt and 1 x washer

6. Torque fasteners as follows:

**M12 x 1.5P = 117 Nm**

**M12 x 1.75P = 109 Nm**

**M14 = 175 Nm**





# TOWBAR INSTALLATION INSTRUCTIONS

PART NUMBER 03345RW

VW AMAROK 2H V6 CL4 C/C

## IMPORTANT

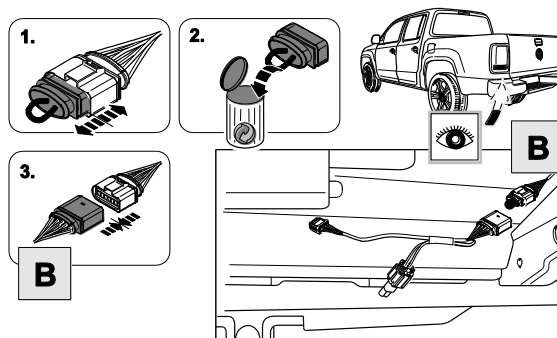
Due to possible vehicle variations, always confirm any noted vehicle colour wires with a multi-meter to ensure the correct function is identified before soldering or scotch locking. For vehicle wires denoted with two colours (example; RED/GREEN) the first colour will always be the main wire colour while the second colour is the thinner trace colour on the wire.

7. Find the prepared 14-way trailer plug located at the rear left chassis underbody.

Unplug the blanking plug (1), discard (2).

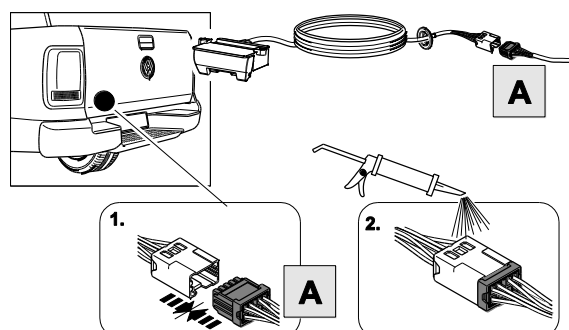
Connect the rear outside harness (1) using connector (B).

NOTE: TUB VARIANT SHOWN



8. Connect tail harness with 8-way connector to outside trailer harness connector (A).

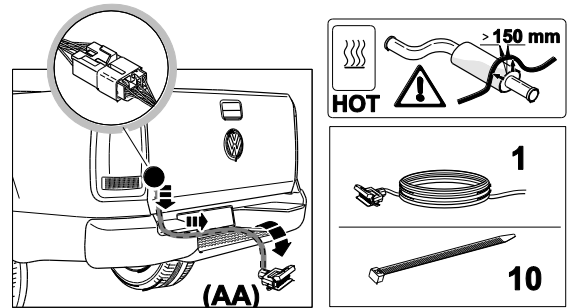
Waterproof the trailer harness 8-way connector (A) and the tail harness 8-way male connector, using silicone or grease.





9. Route the trailer harness to the socket plate and fix the trailer harness with enclosed tie straps.

Mount the trailer socket. (AA)

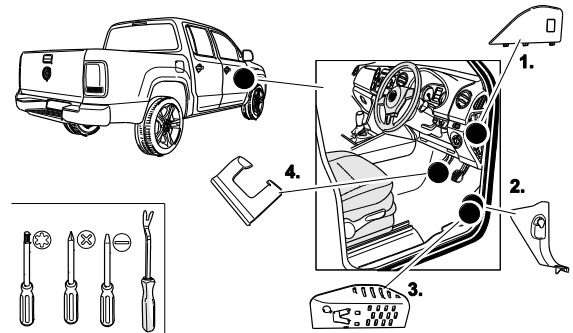


10. Remove the dash end panel (1).

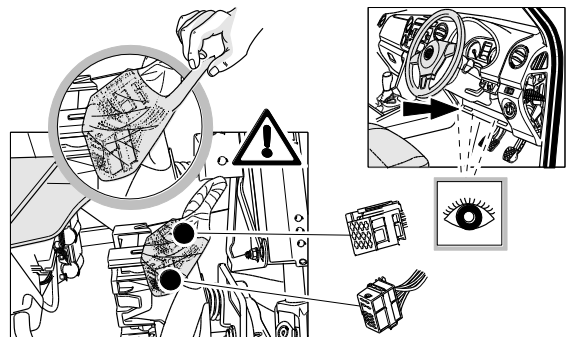
11. Remove the kick trim (2).

12. Remove the sill trim (3).

13. Remove the under-dash foot panel (4).



14. Up above the LHs of the steering column locate the 2 prepared connectors and remove the foam tape.





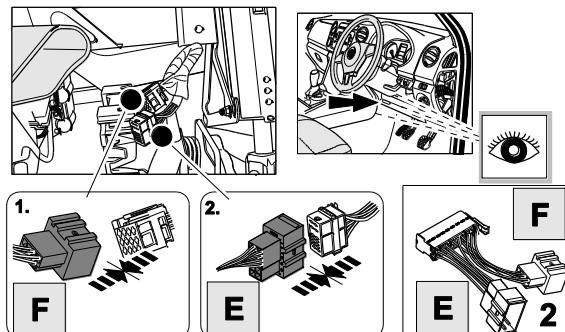
# TOWBAR INSTALLATION INSTRUCTIONS

PART NUMBER 03345RW

VW AMAROK 2H V6 CL4 C/C

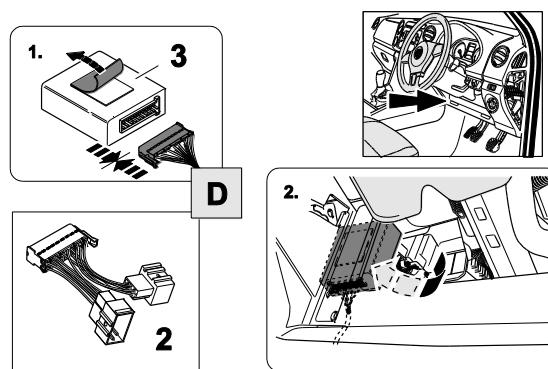
15. Connect internal harness (2) as shown.

Make sure that the connectors are fully home by hearing the locking.



16. Connect the trailer ECU (3) using connector (D). Find a good flat clean surface, remove the backing tape from the adhesive pad and press the module against this surface.

Apply pressure for 60 seconds to ensure good adhesion.



17. Identify vehicle variant by VIN & action step 16 and 18 accordingly.



**OPTION 1**



VIN  
VW1ZZZ2HZ**B**0000000

VW1ZZZ2HZ**C**0000000



# TOWBAR INSTALLATION INSTRUCTIONS

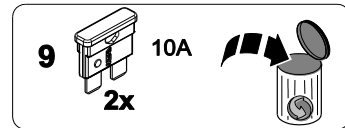
PART NUMBER 03345RW  
VW AMAROK 2H V6 CL4 C/C

18. All other production times are not affected.



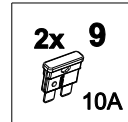
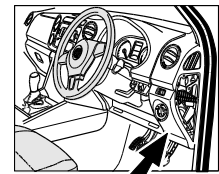
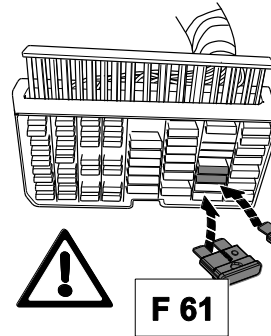
## OPTION 2

VIN  
VW1ZZZ2HZD0000000 >>



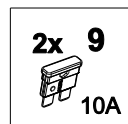
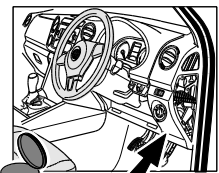
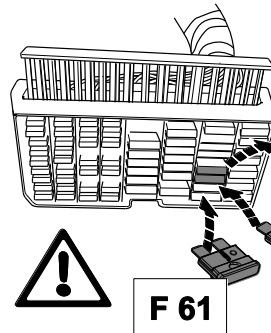
## Option 1

19. If empty, place enclosed fuses 10A into fuse slot F60 and F61.



## Option 2

20. Enclosed fuses are not needed.



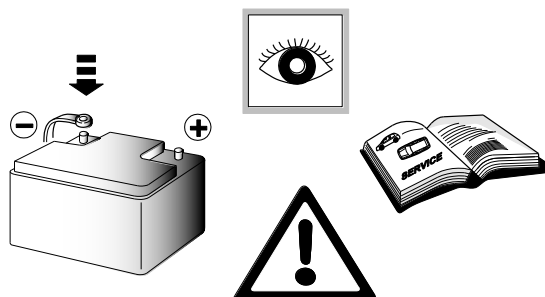


# TOWBAR INSTALLATION INSTRUCTIONS

PART NUMBER 03345RW

VW AMAROK 2H V6 CL4 C/C

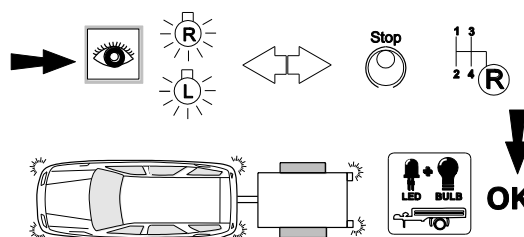
21. Re-connect the battery.



22. Next step is coding of vehicle. Pay attention to the "SmartCODE" instruction (Appendix).

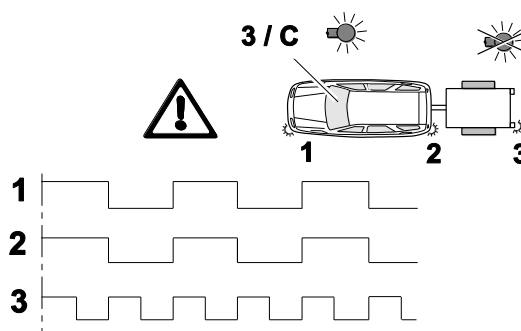
23. Check all light functions.

**Before testing the lights and automatic parking sensor deactivation with a tester or trailer connected, the trailer module must be activated by putting your foot on the brake.**



This allows the module to detect if a trailer is connected. Once a trailer is disconnected, another press on the brake will enable the module to detect no trailer is connected.

24. A trailer bulb out condition is indicated with an increased indicator frequency as well as a display on the dash.

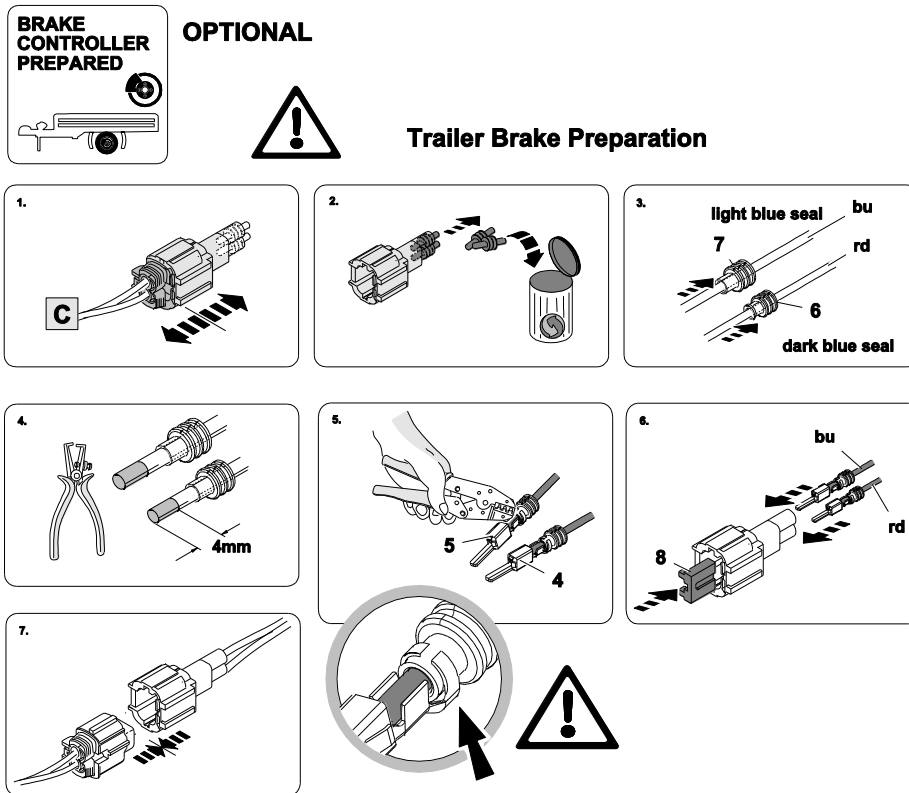




# TOWBAR INSTALLATION INSTRUCTIONS

PART NUMBER 03345RW  
VW AMAROK 2H V6 CL4 C/C

25. Install brake controller plug.





# CUSTOMER INFORMATION

PLACE THESE INSTRUCTIONS IN THE  
VEHICLE'S GLOVEBOX AFTER INSTALLATION

**THANK YOU FOR PURCHASING HAYMAN REESE.  
WITH CORRECT MAINTENANCE AND CARE THIS PRODUCT WILL PROVIDE A  
LIFETIME OF TROUBLE-FREE OPERATION.**

## **i** TOWBAR MAINTENANCE AND CARE:

1. Hayman Reese recommend that the towbar LUG or TBM (tow ball Mount) Pull Pin and R-clip are removed and stored when not in use. Removal of LUG or TBM (tow ball mount) is advisable when not in use to assist with any of the following.
  - Ensure rear number plate is not obscured.
  - Allow maximum available departure angle and prevent any potential interference.
  - Prevent possible interference with vehicles reverse sensors or camera detecting a tow ball mount as an obstruction during reversing.
  - Removes towball mount as an obstruction for when moving around the rear of the vehicle.
2. Hayman Reese recommends routine inspection of your towbar to ensure trouble free towing.
  - Bolt security and tension should be regularly inspected and checked for correct tension. Replace any worn or defective parts with suitable grade & class fasteners. Inspection should be requested to coincide with vehicle major services.
3. It is the owner's responsibility to ensure towing and down ball weight capacities of the towing vehicle are not exceeded.
  - Towing and down ball weights allowable may differ according to model variations. Please refer to owner's manual or vehicle dealer to confirm exact rating for your vehicle model variant.
  - It is not uncommon for the vehicle tow rating to differ from the towbar rating. When this occurs, the lesser rating must be adhered to.
  - For vehicles fitted with enhanced vehicle functions that may be altered/changed when towing i.e Trailer sway mitigation, blind spot detection, adaptive cruise control etc. Please consult owner's manual to understand changes enabled when towing and after towing.

## **i** WARRANTY INFORMATION:

Hayman Reese Towbars are covered by a Lifetime Warranty.

Our goods come with guarantees that cannot be excluded under the Australian Consumer Law. You are entitled to a replacement or refund for a major failure and for compensation for any other reasonably foreseeable loss or damage. You are also entitled to have the goods repaired or replaced if the goods fail to be of acceptable quality and the failure does not amount to a major failure.

For further details please visit [www.haymanreese.com.au/warranty](http://www.haymanreese.com.au/warranty) or contact customer service on 1800 812 017 or [info@haymanreese.com.au](mailto:info@haymanreese.com.au).



# CUSTOMER INFORMATION

PLACE THESE INSTRUCTIONS IN THE VEHICLE'S GLOVEBOX AFTER INSTALLATION

## HAYMAN REESE SMART PIN

Your Hayman Reese towbar is equipped with Smart Pin technology to help reduce towbar tongue rattle in most driving conditions. Please ensure below instructions are understood and routine maintenance is carried out to ensure best towing experience.

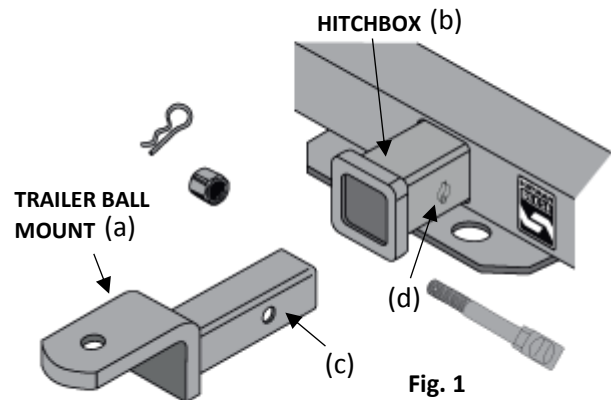
**i** Regularly inspect for wear and check the tightness of the Smart Pin Nut. Follow instructions below to re-tighten the nut as necessary when movement and noise in the tow ball mount is noted.

- Before towing, ensure R-Clip is properly installed and Smart pin nut is installed and tensioned. Replacement parts are available from your Hayman Reese Distributor.

## TOWBALL MOUNT REMOVAL/INSTALLATION

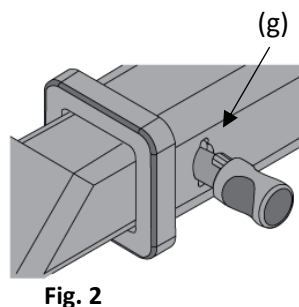
### STEP 1

Insert Trailer Ball Mount (TBM) (a) into towbar hitchbox (b), aligning hole in TBM shank (c) with hole in hitchbox (d) (Fig. 1)



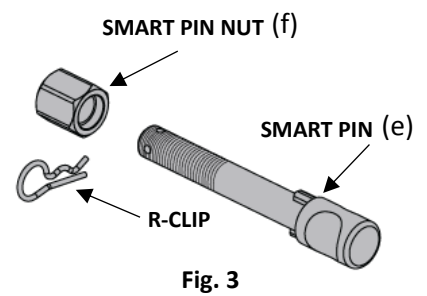
### STEP 2

Insert Smart Pin (e) through hole in hitchbox and hole in TBM shank (g); ensure the locators are inserted into the notches in the hitchbox (Fig. 2)



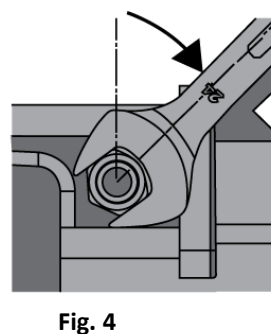
### STEP 3

Screw Smart Pin Nut (f) onto Smart Pin (g); tighten Smart Pin Nut until finger tight, ensuring TBM is restrained from up and down movement.



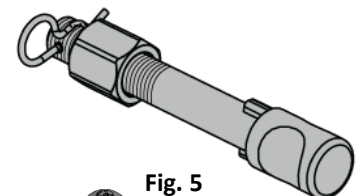
### STEP 4

Tighten Smart Pin Nut by turning nut a further 1/8th of a turn in the clockwise direction using a 24mm spanner (Fig. 4).



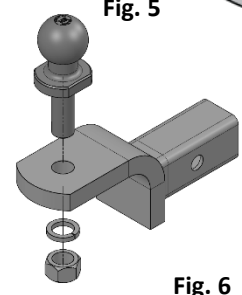
### STEP 5

Install Smart Pin R-Clip through the hole that provides best clearance or easiest access. (Fig. 5)



### STEP 6

Install towball onto TBM and tighten to **350 Nm** using a calibrated torque wrench (Fig. 6).



# Appendix



**WARNING:** This vehicle requires a system setting to ensure the trailer wiring and control module are correctly recognised. This process (referred to as 'coding') must be carried out to enable correct vehicle functionality when trailer is connected. Towing features enabled by correct control module and coding support OE functionality as set by OE manufacturer. Please read the vehicles owner's manual for proper operation and understanding.

Coding can be carried out using the Hayman Reese SmartCODE (HRSC) using the following steps. Note, if HRSC is unavailable, vehicle coding can be carried out by OE manufacturer as needed.

Before you start:

- **Ensure the HRSC software is up to date using the HAYMAN REESE SMARTCODE PC APP.**
  - **Ensure the vehicle battery is fully charged**
  - **Use of a battery support unit (BSU) is advised during the coding process.**
  - **Ensure towbar, wiring loom and ECU are correctly installed as per Hayman Reese fitting instructions.**
1. Locate the OBD2 port under the drivers footwell on the right-hand side and plug in the HRSC.
  2. Close all doors and turn the ignition on
  3. Follow the directions on the screen of the HRSC
  4. Once the vehicle has been coded successfully proceed to the "clear codes" tab
  5. Remove disconnect HRSC from OBD2 port.
  6. Check the dash to make sure there are no warning faults.
  7. Check the operation of trailer lights and ensure the Reverse Park Assist (RPA) is disabled and 'trailer on' icon is active where available.

For technical support and further information on Hayman Reese SmartCODE tool and coding process contact your nearest Hayman Reese stockist.

Australia: 1800 812 017

New Zealand: 0800 237 886