



## TOWBAR INSTALLATION INSTRUCTIONS

PART NUMBER 03423XW

NISSAN NAVARA D23 SER5 UTE XBAR (2 BOXES)



### PRODUCT DETAILS:

Part Number:	03423XW	Maximum Towing Braked:	3500	kg
ECU Number:	N/A	Maximum Towing Unbraked:	750	kg
Tail Harness Length Required:	1200 mm	Maximum Static Ball Load:	350	kg
TBM/Lug Part Number:	21366			
Wiring Part Number:	101376-WL			

### FITTING DETAILS:

Towbar Installation Time:	75 Mins.	Hayman Reese SmartCODE Solution Required:	NO
Wiring Installation Time:	20 Mins.	RPA Disable/Other:	NO
Total Installation Time:	95 Mins.	Note:	
Bumper Cut Required:	No		• Electric Brake = Blue wire taped back to harness.

### RECOVERY RATING:

#### CENTRE RECOVERY HOOK

CENTRE RECOVERY POINT LOADING MUST NOT EXCEED 8000kg.  
DESIGNED FOR USE WITH A SNATCH STRAP NOT EXCEEDING 8000kg  
MBS (MINIMUM BRAKING STRENGTH).

8000kg



#### SIDE RECOVERY HOOK (SINGLE)

SIDE RECOVERY POINT LOADING MUST NOT EXCEED 4000kg MBS  
(MINIMUM BRAKING STRENGTH).

4000kg



Hayman Reese (Cequent)  
PO Box 4050, Dandenong South VIC 3164  
Phone 1800 812 017 Email [info@haymanreese.com.au](mailto:info@haymanreese.com.au)

[x-bar.com.au](http://x-bar.com.au)

**XBAR**  
BY HAYMAN REESE



ENSURE THAT INSTRUCTIONS ARE UNDERSTOOD PRIOR TO FITMENT.

**i BEFORE YOU START:**

Hayman Reese recommends that instructions are read completely prior to fitment. Check all hardware items have been included refer to assembly diagram. Please ensure this towbar is only fitted to vehicle models as per Hayman Reese application guide ([www.haymanreese.com.au](http://www.haymanreese.com.au)).

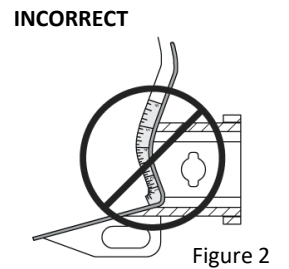
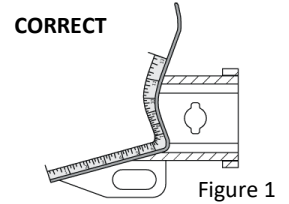
**Bumper Cuts**



Vehicle and bumper variations can and do occur during vehicle manufacture after initial towbar design. Fitment of towbar to vehicle and accuracy of bumper cut must be assessed prior to any bumper modifications made. Incorrect bumper cuts are not covered under Hayman Reese warranty.

**NOTE: Bumper cuts need to be approached with care, refer to notes below.**

- Bumper centreline – where the centreline of the bumper needs to be determined, the installer must assess centre point by measurement of bumper width or determining two symmetrical reference points to give centreline.
- Bumper edge – To assist with accurate bumper cut measurement, reference to the start of the bumper edge is now being commonly used.
  - Measure from bottom edge along bumper and around corner to the 70 mm point (Figure 1).
  - Do not measure from visible bumper front of corner, upwards (Figure 2).



**Drilling**

- For any required drilling during installation, ensure that the area is clear of fuel, electrical & other components that may be damaged.
- All holes drilled into the body panels shall have all burrs & swarf removed then coated with a suitable rust preventative paint.

**Bolts/Fasteners**

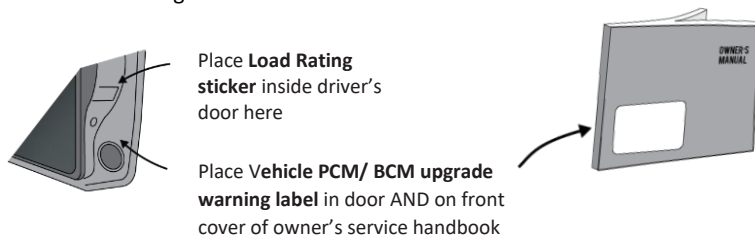
- Ensure that all hardware is fastened to correct torque as specified in this fitting instruction.
- All fasteners supplied with this product are used to achieve a specified clamp loading. If replacement is required ensure that fasteners of the same grade and class are used.



**NOTE: Achieving correct torque is critical to proper installation and responsibility of the installer. Towbar failures attributed to tension issues from over tightening or under tightening are not covered by Hayman Reese warranty.**

**Product Labels**

- a. Towbar load rating sticker provided with this product shall be conspicuously located on inside rear end of the driver's door.
- b. Powertrain Control Module (PCM)/Body Control Module (BCM) upgrade warning label will be provided in towbar kit for vehicles as required. Affix warning label in door and owner's handbook.



**WARNING:**

**Do not, drill, cut, weld or otherwise modify the towbar.**  
**FOR TOWING PURPOSES ONLY - This towbar is designed and tested by Hayman Reese to adhere to ADR 62/02 which provides only for the expected load demands of towing.**

Hayman Reese (Cequent)  
PO Box 4050, Dandenong South VIC 3164  
Phone 1800 812 017 Email [info@haymanreese.com.au](mailto:info@haymanreese.com.au)

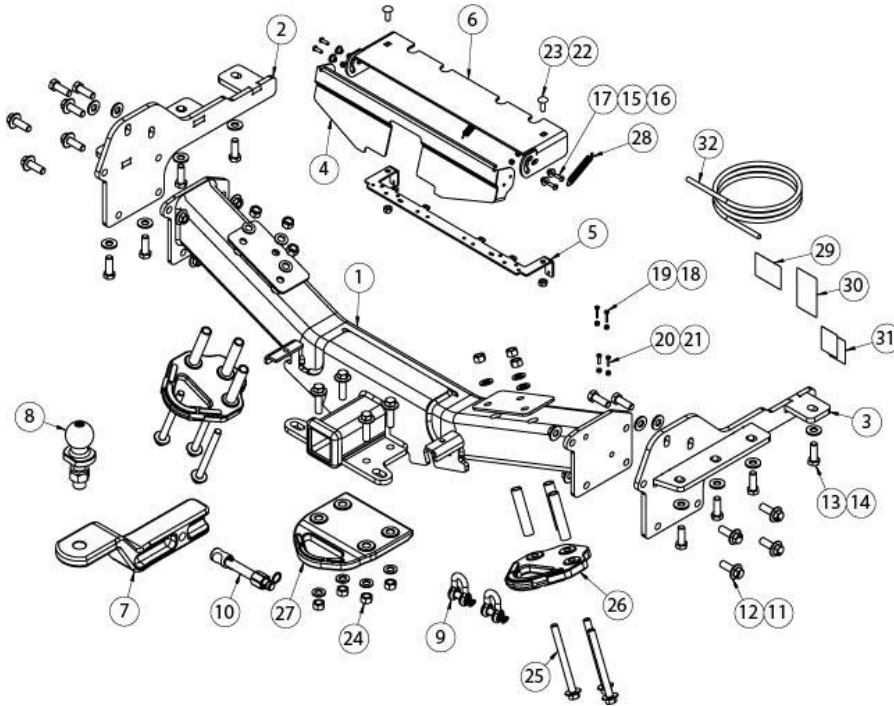


# TOWBAR INSTALLATION INSTRUCTIONS

PART NUMBER 03423XW

NISSAN NAVARA D23 SER5 UTE XBAR (2 BOXES)

## **i** TOWBAR ASSEMBLY DIAGRAM



ITEM	DESCRIPTION	QTY
1	TOWBAR WELDED ASSEMBLY	1
2	TUB SIDE ARM ASSEMBLY. LH	1
3	TUB SIDE ARM ASSEMBLY, RH	1
4	XBAR REAR COVER	1
5	PLUG PLATE	1
6	WIRING HOUSING	1
7	3.5T FORGED TBM 65MM DROP	1
8	TOWBALL 50mm	1
9	"D" SHACKLE 10mm	2
10	SMART PIN GOLD	1
11	FLANGED NUT HEX HD M12x1.25P	8
12	SET SCREW FL HEX HD M12x35x1.25P	8
13	SET SCREW HEX HD M12x35x1.25P	12
14	WASHER PLAIN 1/2"	12
15	BUSH 15ODx8Lx5ID	4
16	NUT NYLOC INS HEX HD M5x0.8P	4

ITEM	DESCRIPTION	QTY
17	SET SCREW HEX HD M5x16x0.8P	4
18	NUT NYLOC HEX HD M3x0.7P	2
19	SCREW PAN HD M3x20x0.7P	2
20	SCREW PAN HD M4x16x0.7P	2
21	NUT NYLOC HEX HD M4x0.7P	2
22	NUT NYLOC HEX HD M8x1.25P	2
23	BOLT COACH M8x20x1.25P BLACK	2
24	CENTRE RECOVERY HOOK BOLT KIT	1
25	SIDE RECOVERY HOOK BOLT KIT	2
26	FORGED SIDE RECOVERY HOOK	2
27	FORGED CENTRE RECOVERY HOOK	1
28	XBAR COVER SPRING 60Lx100Dx1P	2
29	COMPLIANCE LABEL	1
30	LOAD RATING LABEL	1
31	XBAR LOGO STICKER	2
32	WIRING LOOM	1

Hayman Reese (Cequent)  
 PO Box 4050, Dandenong South VIC 3164  
 Phone 1800 812 017 Email info@haymanreese.com.au

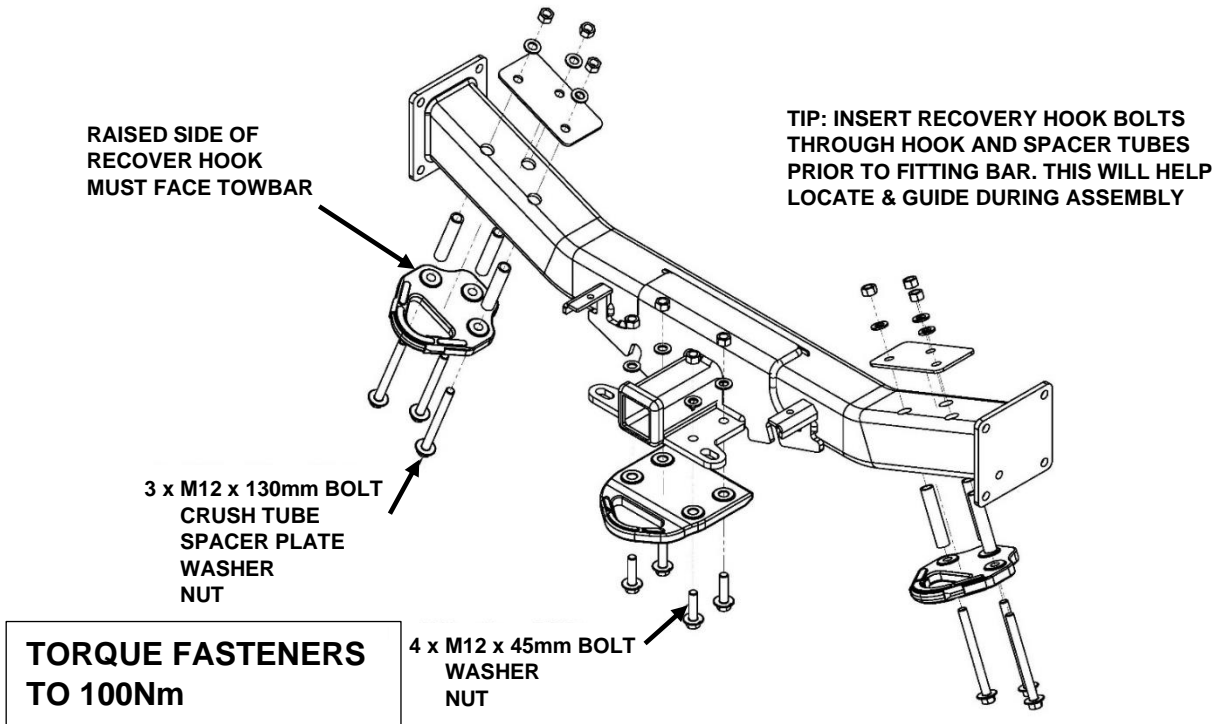
[x-bar.com.au](http://x-bar.com.au)





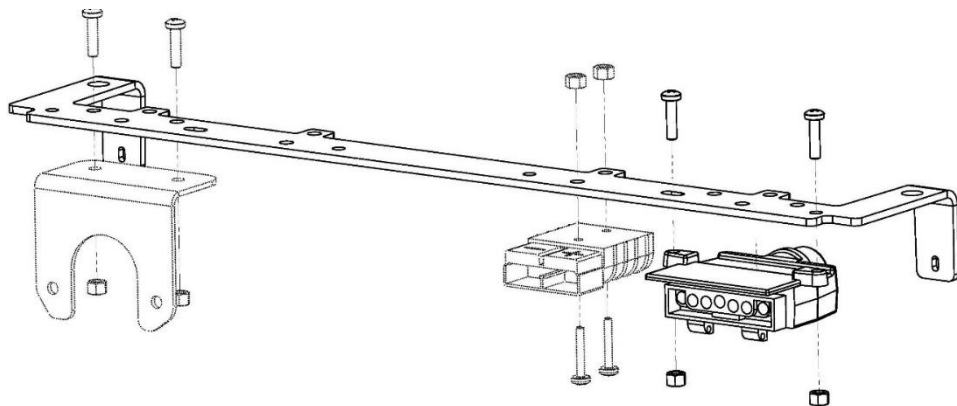
**NOTE:** Pre-assembly of X-Bar centre section can assist for vehicles with difficult access.

## A. BOLT RECOVERY HOOKS TO TOWBAR



## B. MOUNT PLUGS TO BRACKET

AFTER CHOOSING YOUR DESIRED PLUG CONFIGURATION, INSTALL PLUGS AND WIRING TO BRACKET USING FASTENERS PROVIDED

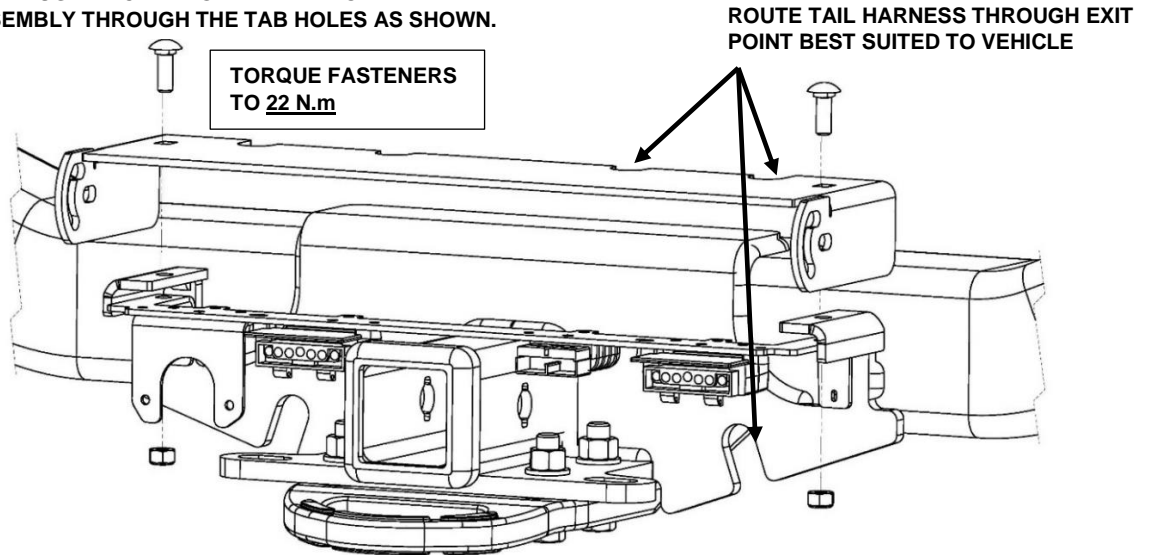


Hayman Reese (Cequent)  
PO Box 4050, Dandenong South VIC 3164  
Phone 1800 812 017 Email info@haymanreese.com.au



### C. INSTALL WIRING HOUSING

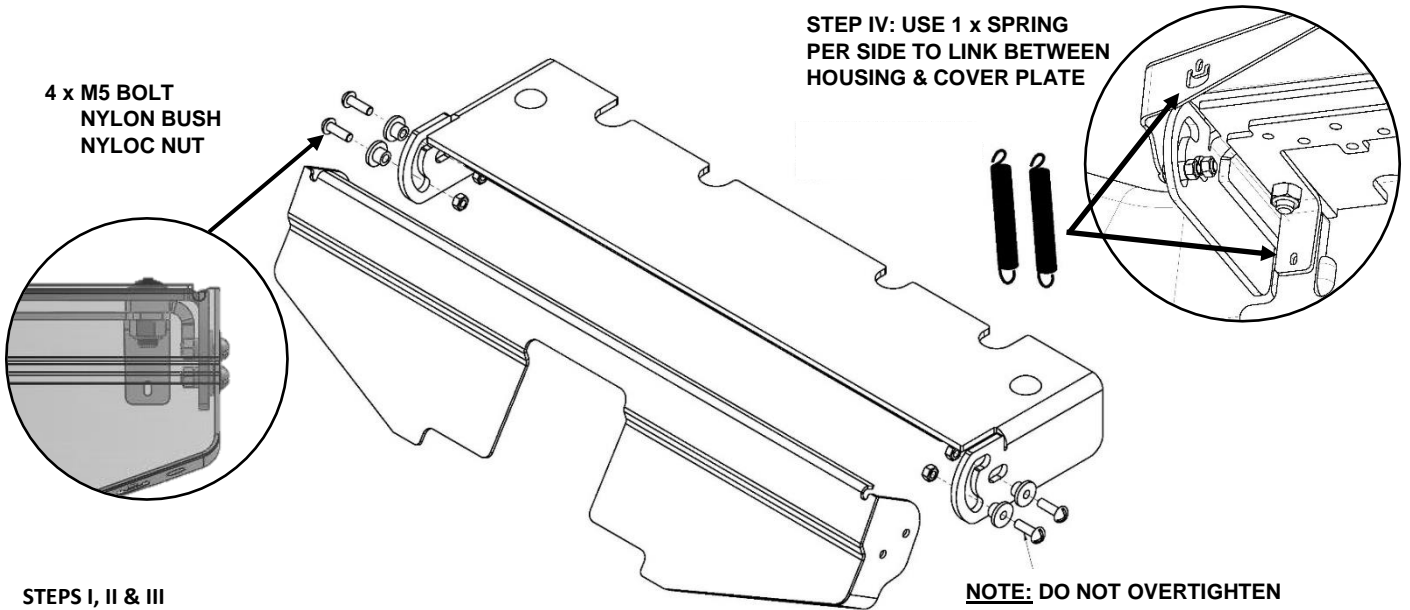
USING 2 x M8 COACH BOLTS COMPLETE WITH 1 x NYLOC NUT PER BOLT, SECURE THE WIRING HOUSING AND PLUG BRACKET TO THE MAIN TOWBAR ASSEMBLY THROUGH THE TAB HOLES AS SHOWN.



### D. ATTACH COVER TO HOUSING

4 x M5 BOLT  
NYLON BUSH  
NYLOC NUT

STEP IV: USE 1 x SPRING  
PER SIDE TO LINK BETWEEN  
HOUSING & COVER PLATE



**STEPS I, II & III**

- I. INSERT BUSHES INTO SLOTS
- II. THEN PLACE COVER OVER HOUSING, LINING UP BUSHES WITH SCREW HOLES
- III. FINALLY FASTEN COVER TO HOUSING BY PUSHING SCREWS THROUGH BUSHES AND SECURING WITH NUTS

**NOTE: DO NOT OVERTIGHTEN FASTENERS TO ENSURE COVER ASSEMBLY CAN ROTATE FREELY & TO PREVENT DAMAGE TO BUSHES**

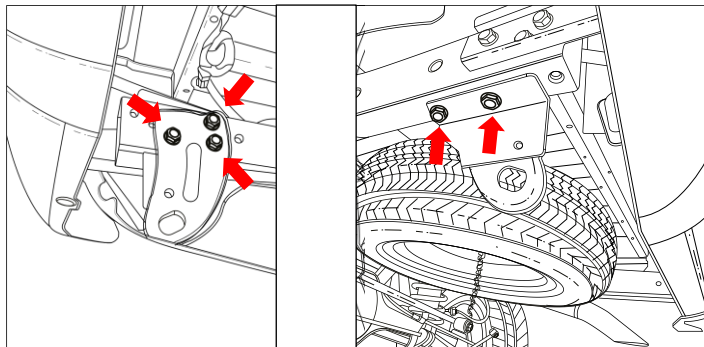
Hayman Reese (Cequent)  
PO Box 4050, Dandenong South VIC 3164  
Phone 1800 812 017 Email info@haymanreese.com.au





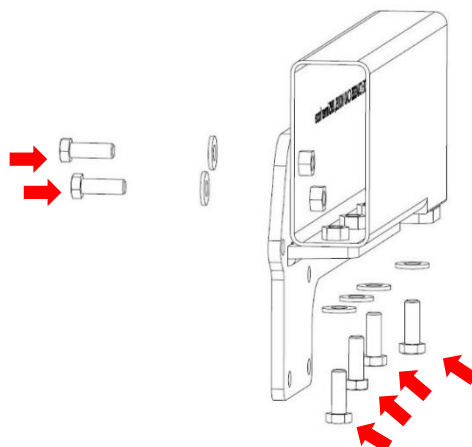
## INSTALLATION TO VEHICLE

1. Lower spare wheel
2. Discard factory tow hook by removing 5 x bolts from chassis rail. Discard bolts.

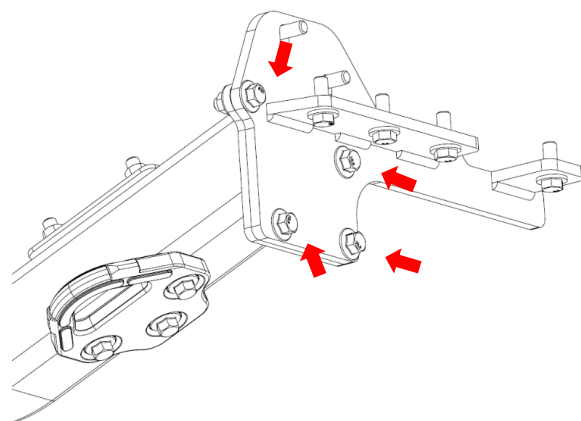


3. Loosely secure RH side arm to chassis rail with 2 x M12 bolts complete with 1 x washer per bolt on the inboard side of chassis rail and 4 x M12 bolts complete with 1 x washer per bolt to the underside of chassis.

Repeat for opposite side.



4. If not already done, complete the pre-assembly of crosstube following steps A, B, C & D (Refer pages 4 and 5).
5. With assistance raise crosstube assembly up to the side arms and loosely secure each side with 4 x M12 flange bolts complete with 1 x flange nut per bolt.



Hayman Reese (Cequent)  
PO Box 4050, Dandenong South VIC 3164  
Phone 1800 812 017 Email [info@haymanreese.com.au](mailto:info@haymanreese.com.au)



6. Tighten all bolts to the torques listed below:

M12x1.25 G8.8 : 89 Nm

M12x1.25 G10.9 (Flange bolts) : 165 Nm

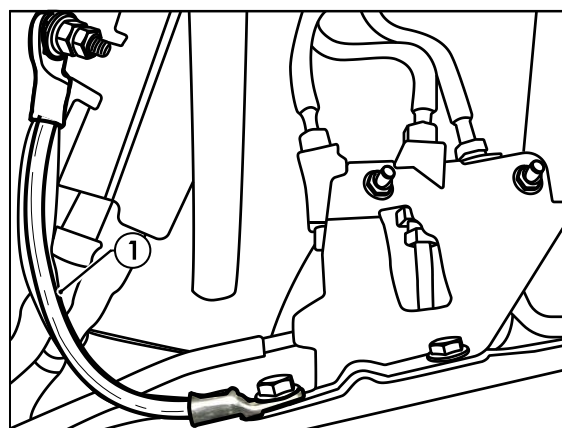
**IMPORTANT:** Ensure all bolts are secured to correct torques using a calibrated torque wrench. Tighten side arms to chassis rail first in an even pattern/sequence. Repeat for centre section to side arms.



## IMPORTANT

Due to possible vehicle variations, always confirm any noted vehicle colour wires with a multi-meter to ensure the correct function is identified before soldering or scotch locking. For vehicle wires denoted with two colours (example; RED/GREEN) the first colour will always be the main wire colour while the second colour is the thinner trace colour on the wire.

7. At the engine bay LHS (passenger side) under the vehicle, use the supplied grounding strap (1) at the location next to the firewall as shown.



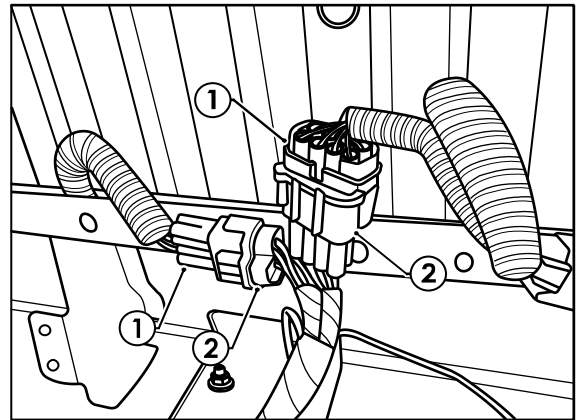


## TOWBAR INSTALLATION INSTRUCTIONS

PART NUMBER 03423XW

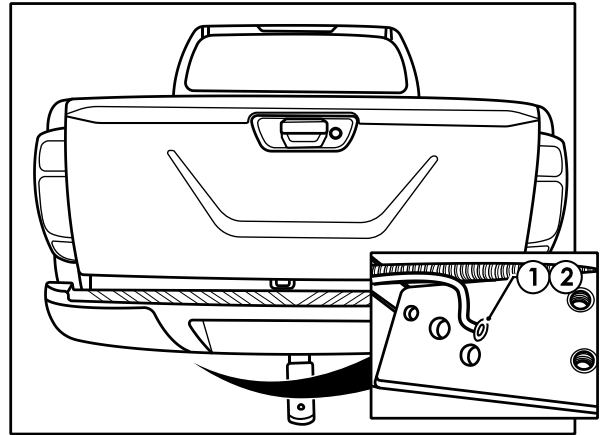
NISSAN NAVARA D23 SER5 UTE XBAR (2 BOXES)

8. At the rear LHS of the vehicle underneath the tray, disconnect the tail light connectors (1) and patch the trailer patch harness (P/No: 101376-WL) connectors (2) in between.

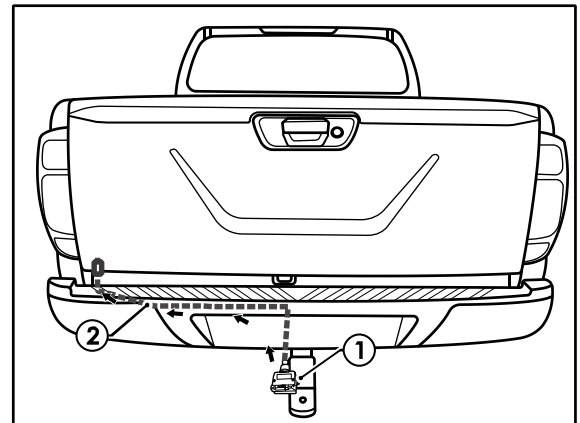


9. Using a tek screw (not supplied), secure the trailer patch ground ring terminal (1) to a suitable nearby location on the vehicle LHS frame rail (2).

**Note: DO NOT ground onto tub body!  
DO NOT use existing vehicle ground!**



10. Secure the tail harness trailer socket (1200mm) (1) to the towbar mounting plate using M4 fasteners (not supplied).
11. Route the tail harness (2) along the towbar, towards the trailer patch harness.



Hayman Reese (Cequent)  
PO Box 4050, Dandenong South VIC 3164  
Phone 1800 812 017 Email [info@haymanreese.com.au](mailto:info@haymanreese.com.au)

[x-bar.com.au](http://x-bar.com.au)

**XBAR**  
BY HAYMAN REESE



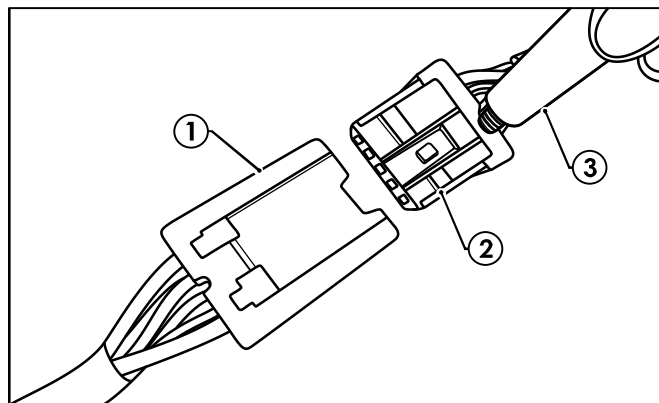


## TOWBAR INSTALLATION INSTRUCTIONS

PART NUMBER 03423XW

NISSAN NAVARA D23 SER5 UTE XBAR (2 BOXES)

12. Connect the tail harness 8-way connector (1) to the trailer patch 8-way mating connector (2).
13. Waterproof the trailer patch 8-way connector (1) and the tail harness 8-way male connector (2) using silicone or grease (3) (not supplied).



14. Secure all harnesses to the vehicle using cable ties.
15. Test the Trailer Harness function using trailer light board or multi-meter
16. Re-fit all removed parts and secure all fasteners.
17. Please place the fitting instructions in the glove box after installation.

Hayman Reese (Cequent)  
PO Box 4050, Dandenong South VIC 3164  
Phone 1800 812 017 Email [info@haymanreese.com.au](mailto:info@haymanreese.com.au)

[x-bar.com.au](http://x-bar.com.au)





# CUSTOMER INFORMATION

PLACE THESE INSTRUCTIONS IN THE  
VEHICLE'S GLOVEBOX AFTER INSTALLATION

**THANK YOU FOR PURCHASING HAYMAN REESE.  
WITH CORRECT MAINTENANCE AND CARE THIS PRODUCT WILL PROVIDE A  
LIFETIME OF TROUBLE-FREE OPERATION.**

## **i** TOWBAR MAINTENANCE AND CARE:

1. Hayman Reese recommend that the towbar LUG or TBM (tow ball Mount) Pull Pin and R-clip are removed and stored when not in use. Removal of LUG or TBM (tow ball mount) is advisable when not in use to assist with any of the following.
  - Ensure rear number plate is not obscured.
  - Allow maximum available departure angle and prevent any potential interference.
  - Prevent possible interference with vehicles reverse sensors or camera detecting a tow ball mount as an obstruction during reversing.
  - Removes towball mount as an obstruction for when moving around the rear of the vehicle.
2. Hayman Reese recommends routine inspection of your towbar to ensure trouble free towing.
  - Bolt security and tension should be regularly inspected and checked for correct tension. Replace any worn or defective parts with suitable grade & class fasteners. Inspection should be requested to coincide with vehicle major services.
3. It is the owner's responsibility to ensure towing and down ball weight capacities of the towing vehicle are not exceeded.
  - Towing and down ball weights allowable may differ according to model variations. Please refer to owner's manual or vehicle dealer to confirm exact rating for your vehicle model variant.
  - It is not uncommon for the vehicle tow rating to differ from the towbar rating. When this occurs, the lesser rating must be adhered to.
  - For vehicles fitted with enhanced vehicle functions that may be altered/changed when towing i.e Trailer sway mitigation, blind spot detection, adaptive cruise control etc. Please consult owner's manual to understand changes enabled when towing and after towing.

## **i** WARRANTY INFORMATION:

Hayman Reese Towbars are covered by a Lifetime Warranty.

Our goods come with guarantees that cannot be excluded under the Australian Consumer Law. You are entitled to a replacement or refund for a major failure and for compensation for any other reasonably foreseeable loss or damage. You are also entitled to have the goods repaired or replaced if the goods fail to be of acceptable quality and the failure does not amount to a major failure.

For further details please visit [www.haymanreese.com.au/warranty](http://www.haymanreese.com.au/warranty) or contact customer service on 1800 812 017 or [info@haymanreese.com.au](mailto:info@haymanreese.com.au).

Hayman Reese (Cequent)  
PO Box 4050, Dandenong South VIC 3164  
Phone 1800 812 017 Email [info@haymanreese.com.au](mailto:info@haymanreese.com.au)

**x-bar.com.au**





# CUSTOMER INFORMATION

PLACE THESE INSTRUCTIONS IN THE VEHICLE'S GLOVEBOX AFTER INSTALLATION

## HAYMAN REESE SMART PIN

Your Hayman Reese towbar is equipped with Smart Pin technology to help reduce towbar tongue rattle in most driving conditions. Please ensure below instructions are understood and routine maintenance is carried out to ensure best towing experience.

**i** Regularly inspect for wear and check the tightness of the Smart Pin Nut. Follow instructions below to re-tighten the nut as necessary when movement and noise in the tow ball mount is noted.

- Before towing, ensure R-Clip is properly installed and Smart pin nut is installed and tensioned. Replacement parts are available from your Hayman Reese Distributor.

## TOWBALL MOUNT REMOVAL/INSTALLATION

### STEP 1

Insert Trailer Ball Mount (TBM) (a) into towbar hitchbox (b), aligning hole in TBM shank (c) with hole in hitchbox (d) (Fig. 1)

### STEP 2

Insert Smart Pin (e) through hole in hitchbox and hole in TBM shank (g); ensure the locators are inserted into the notches in the hitchbox (Fig. 2)

### STEP 3

Screw Smart Pin Nut (f) onto Smart Pin (g); tighten Smart Pin Nut until finger tight, ensuring TBM is restrained from up and down movement.

### STEP 4

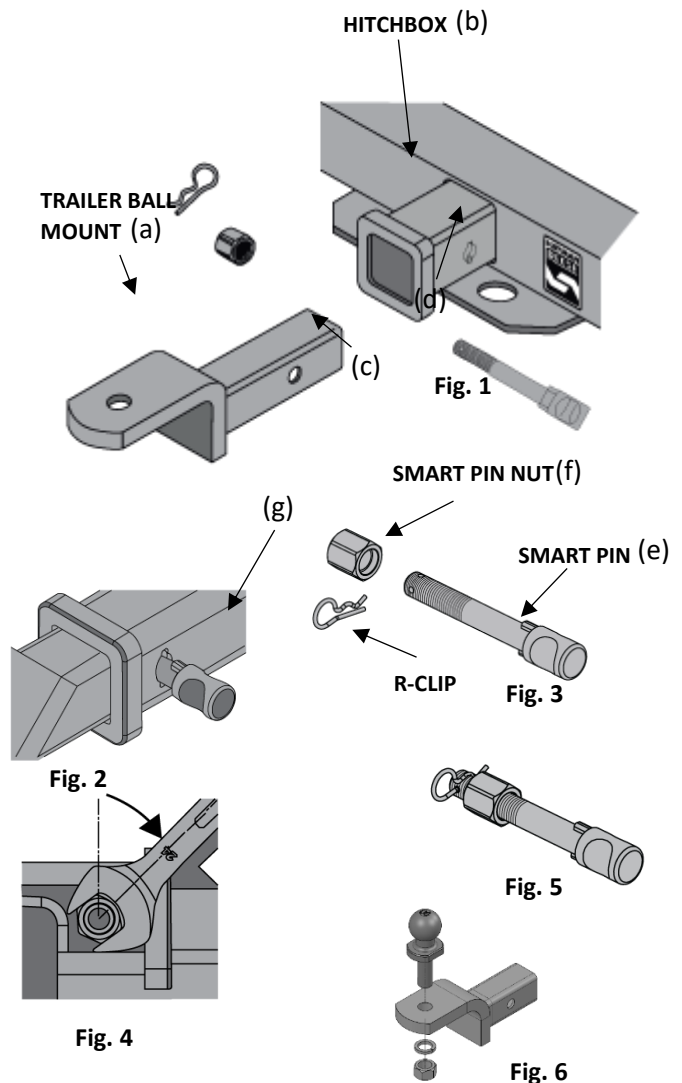
Tighten Smart Pin Nut by turning nut a further 1/8th of a turn in the clockwise direction using a 24mm spanner (Fig. 4).

### STEP 5

Install Smart Pin R-Clip through the hole that provides best clearance or easiest access. (Fig. 5)

### STEP 6

Install towball onto TBM and tighten to **350 Nm** using a calibrated torque wrench (Fig. 6).



Hayman Reese (Cequent)  
PO Box 4050, Dandenong South VIC 3164  
Phone 1800 812 017 Email [info@haymanreese.com.au](mailto:info@haymanreese.com.au)

[x-bar.com.au](http://x-bar.com.au)

**X BAR**  
BY HAYMAN REESE