

INSTALLATION INSTRUCTIONS



03431R - RENAULT TRAFFIC

PLEASE READ INSTRUCTIONS THROUGH BEFORE YOU BEGIN

WARNING:

Do not, drill, cut, weld or otherwise modify the towbar.

If you are using electric welding on a motor vehicle, **always** check that the vehicle is not equipped with electronic engine or instrument management equipment. Failure to do so could **destroy** any onboard computers. If in doubt, check with the vehicle's manufacturer.

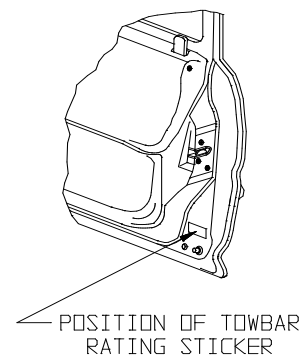
MAX TOWING CAPACITY 2000KG



CAUTION TWO PERSON LIFT REQUIRED TO FIT THIS PRODUCT

1. Ensure all items have been included.
2. Remove rubber grommets from underside of chassis rails one each side.
3. Make sure that area on underside chassis rails is clear of excess body deadener. Any raw edges are to be coated with suitable anti rust treatment.
4. Lift towbar into position so holes in the side arms align with captive nuts on underside of chassis rails and support with suitable jack or jack stands (**caution two person lift required**).
5. Fasten M10x 35 bolts, spring & flat washers supplied.
6. Feed through M10x35 bolts on wire through access holes on underside of chassis into M11 existing holes in chassis rails, and then fasten with m10 nuts spring & flat washer.
7. Tighten bolts to torque listing below.
8. Cut excess wire from bolts on wire then refit rubber grommets.
9. Towbar rating sticker to be conspicuously located on inside rear end of the driver's door. (**See diagram below**)

NOTE: Hayman Reese recommends that you check your tow ball to ensure it complies with Australian Design Rules



RECOMMENDED ASSEMBLY TORQUE LISTING

<u>Diameter</u>	<u>Grade 8.8 Bolt</u>
	Nm
M6	9.5
M8	21.7
M10	43.4
M12	77.3
M16	189.8

FOR TOWING PURPOSES ONLY

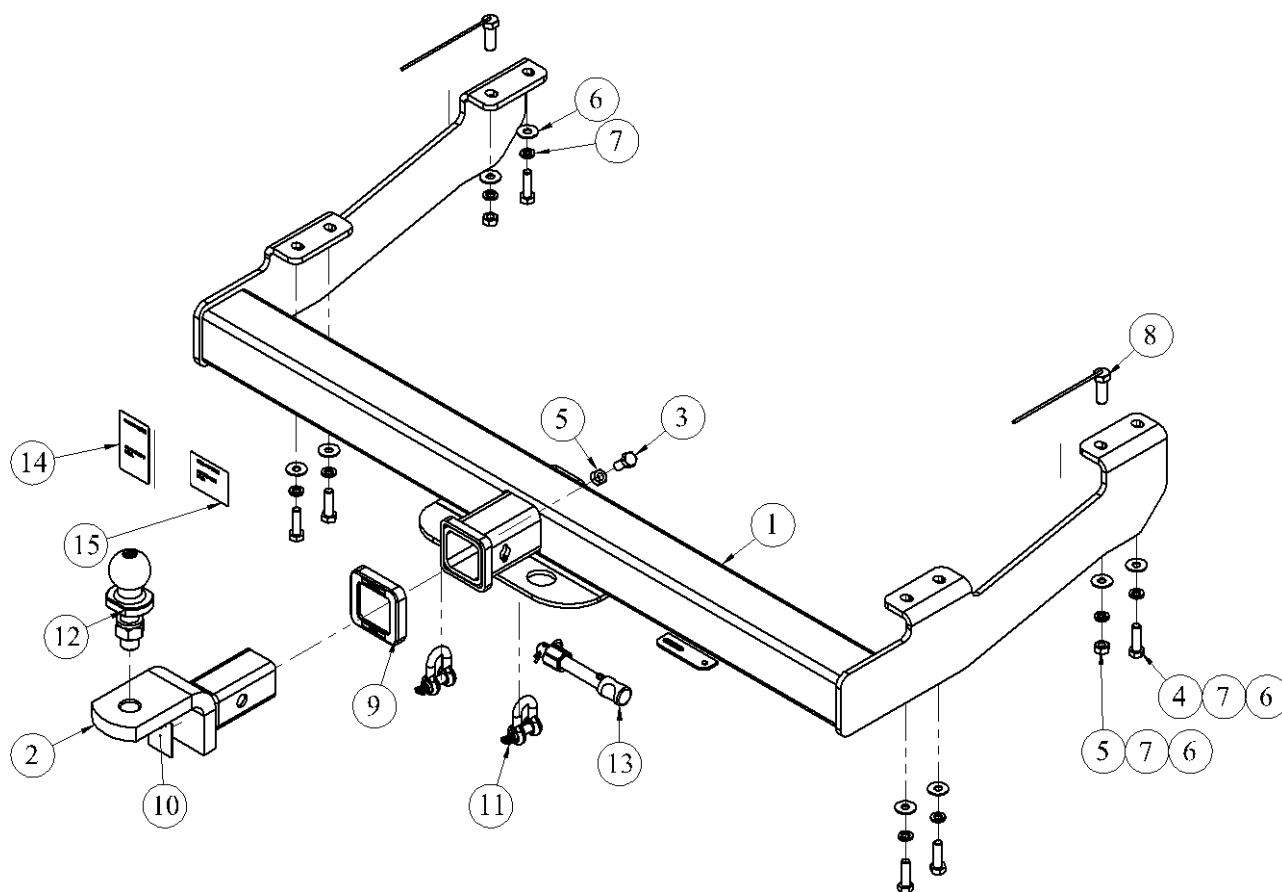
For towing capacity details please refer to vehicle owner's manual or to the manufacturer. Overloading can void your warranties.

INSTALLATION INSTRUCTIONS



03431R - RENAULT TRAFFIC

PLEASE READ INSTRUCTIONS THROUGH BEFORE YOU BEGIN



ITEM	DESCRIPTION	QTY
1	RENAULT TRAFIC WELDED ASSEMBLY	1
2	TRAILER BALL MOUNT	1
3	BOLT HEX HD M10x25x1.5P	1
4	SET SCREW HEX HD M10x35x1.5P	6
5	NUT HEX HD M10x1.5P	3
6	WASHER PLAIN 3/8x1x16	8
7	WASHER SPRING M10	8
8	BOLT & WIRE	2
9	HITCH BOX COLLAR COVER	1
10	HAYMAN REESE LOGO STICKER	1
11	"D" SHACKLE 10mm	2
12	TOWBALL 50mm	1
13	SMART PIN GOLD	1
14	LOAD RATING LABEL	1
15	COMPLIANCE LABEL	1