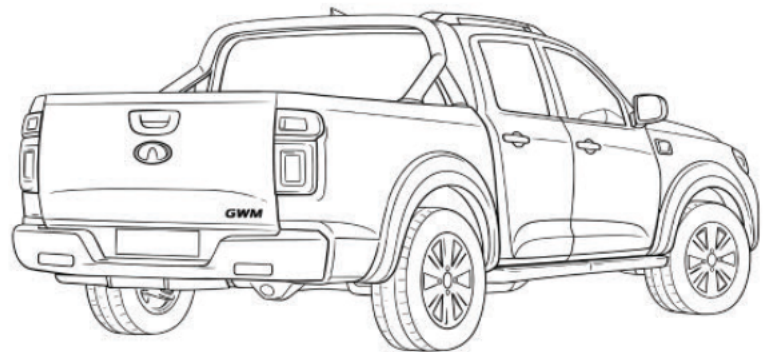
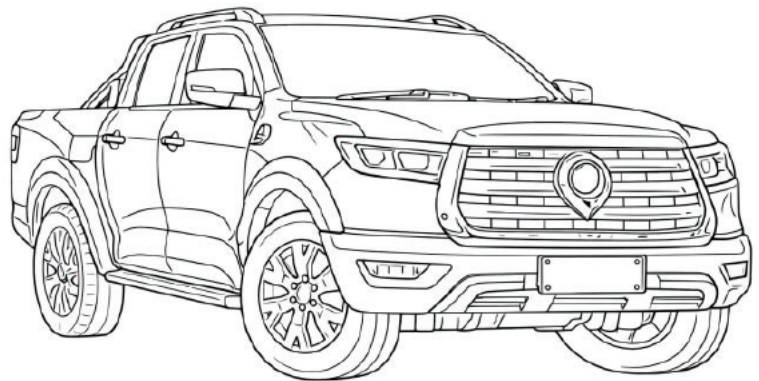


**VEHICLE: GWM Cannon 09/2020 - On**  
**PART NUMBER: 126104**

**TOWRITE**  
TOWBARS AUSTRALIA

## **TOWBAR FITTING INSTRUCTIONS**



### **For Trailer Towing Only**

Approximate Installation Time: 1.5 hrs  
Maximum Towing Capacity Braked: 3500 kg  
Maximum Down Ball Weight: 350 kg

**Vehicles towing capacity may vary refer to owners handbook**

**TowRite Towbars Australia**  
**9 Deakin Street**  
**Brendale Qld 4500**  
**AUSTRALIA**  
**1800 869 748**

## WARNING

- This product is designed solely for towing and must be loaded exactly as outlined in your vehicle's Owner's Manual.
- If used with a bike carrier there is a 25% reduction in the towbar or vehicle ball weight capacity whichever is lowest.
- Do NOT drill, cut, weld, or modify this towbar under any circumstances.
- You might need to drill into the vehicle to install the parts. Before you drill, take a quick look behind the chassis rail and body panels to make sure nothing is in the way.
- The stated load ratings apply only where the trailer is equipped with an appropriately rated and functioning braking system.
- If installed in any position other than what is shown in these instructions, the towball mount may interfere with or obstruct certain vehicle features (such as tailgate operation or chassis clearance).

## GENERAL

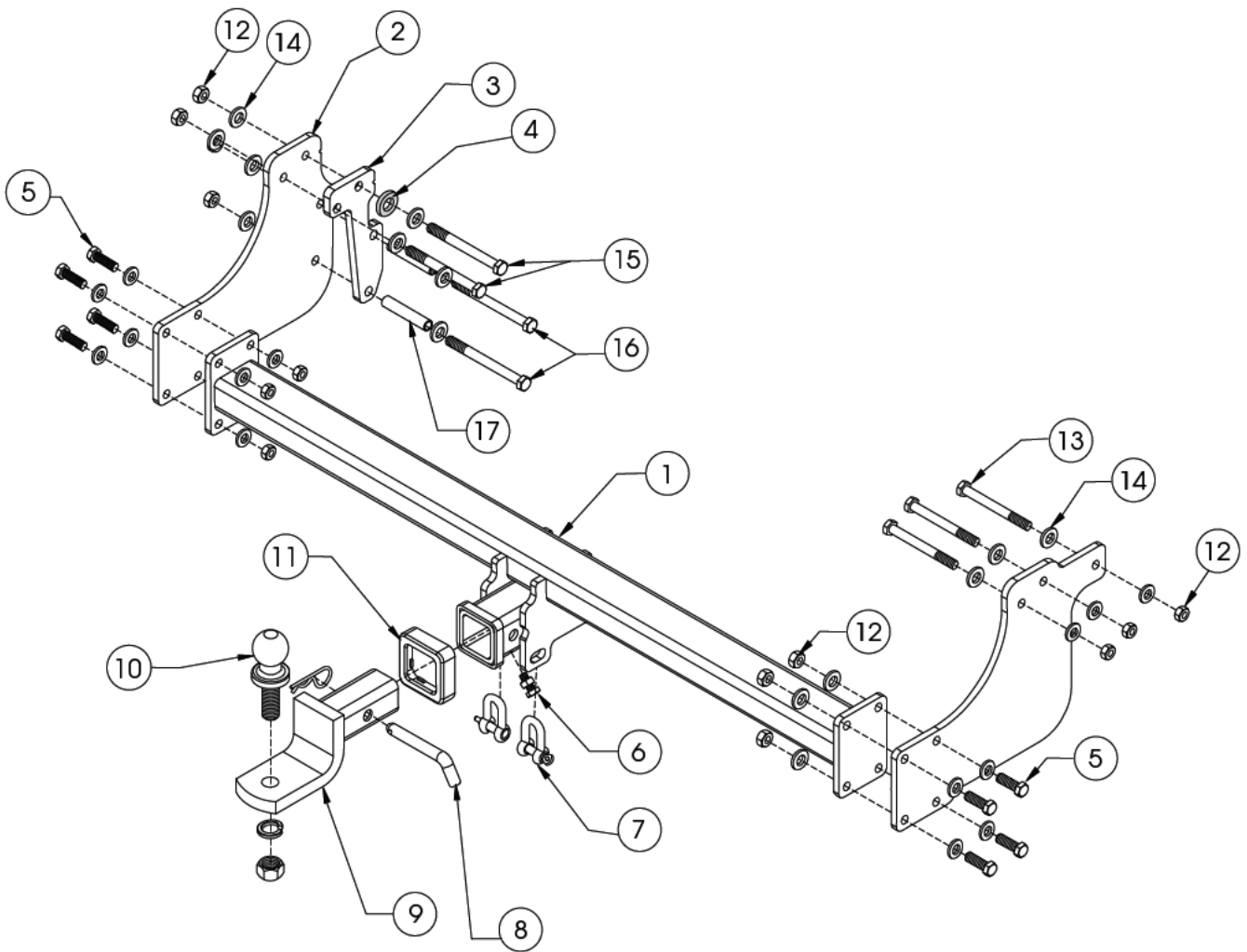
- Before installing this towbar, read the fitting instructions thoroughly and ensure all installation hardware is correct.
- Confirm the towbar is compatible with your vehicle, and consider any modifications or accessories (tray, canopy, suspension, etc.) that may affect installation.
- After drilling, clear away all metal filings, remove burrs, and apply a rust inhibitor to any exposed metal surfaces.
- The supplied high-tensile fasteners are essential to achieving the specified rating. If replacements are needed, ensure they are of the same grade (refer parts table on Page 3) and quality.
- Routinely check towball is tight before towing.
- Check all fasteners routinely and regularly.
- Be aware of changes in vehicle shape and bumper designs as well as any accessories that may alter the installation of this product.
- Bumper cut instructions are a guide only, ensure correct area is marked out prior to cutting.
- TowRite advises the removal of the ball mount when not in use to provide a clear view of the vehicle's registration plate if obscured.
- These instructions are provided as a guide only. TowRite accepts no responsibility for any changes to vehicle or fitment.
- Check the towball is securely tightened before towing.
- The towbar comes with 2 x compliance labels - one goes on the towbar and one in the driver's side door well.
- A two-person lift is recommended for installation.
- It is recommended that installation is carried out by a trained professional.

**\*Ensure that all lights and systems are functioning properly. Check the vehicle dash for any warning lights and visually inspect the vehicle for any damage before commencing work.\***

### Torque Settings 8.8 Grade High Tensile Bolts

Bolt Size	Torque
M8	22 Nm $\pm$ 10%
M10	46 Nm $\pm$ 10%
M12	77 Nm $\pm$ 10%
M14	146 Nm $\pm$ 10%
M16	190 Nm $\pm$ 10%
Tow Ball	350 Nm $\pm$ 10%

# CONTENTS



ITEM NO.	PART DESCRIPTION	QTY
1	TOWBAR ASSEMBLY	1
2	SIDE PLATE ASSEMBLY	2
3	LEFT SPACER PLATE	1
4	LEFT SPACER	1
5	M12 X 1.75 X 40 mm BOLT	8
6	ANTI RATTLE BOLT WITH LOCKING NUT	1
7	D SHACKLE	2
8	HITCH PIN & CLIP	1
9	TB00 BALLMOUNT	1
10	50 mm TOWBALL	1
11	PLASTIC SHROUD	1
12	M12 X 1.75 NUT	15
13	M12 X 1.75 X 120 mm BOLT	3
14	M12 WASHER	30
15	M12 X 1.75 X 130 mm BOLT	2
16	M12 X 1.75 X 140 mm BOLT	2
17	CRUSH TUBE	2

# TOWBAR INSTALLATION

- 1** Lower spare wheel and remove for easier access.  
On the LHS chassis rail.

Remove and discard the 2 x rear bolts from the step bracket.

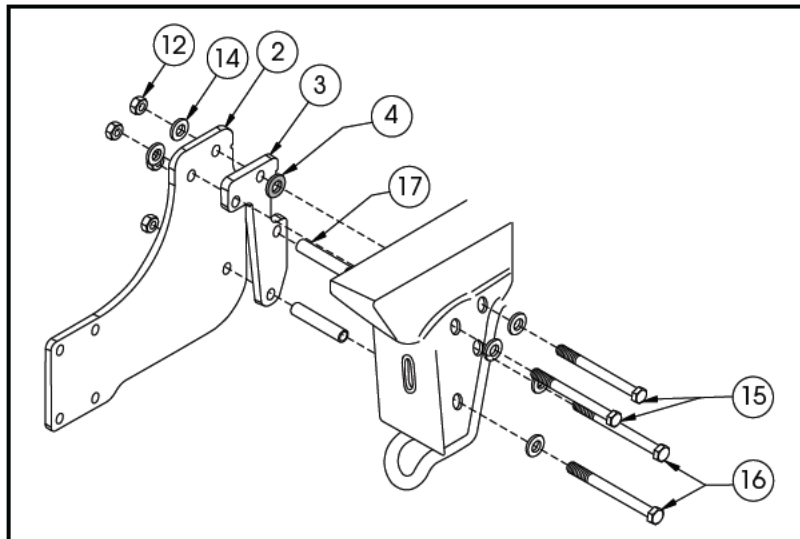
Note: The bumper will remain bolted to the vehicle throughout the fitment.

- 2** Fit 2 x bolts (15) and washers (14) from inside of vehicle to outside through step bracket.

Insert 2 x bolts (16) and washers (14) from inside to outside through shipping hook and feed crush tubes (17) onto bolt from the other side.

Feed left spacer (4) followed by left spacer plate (3) onto protruding bolts.

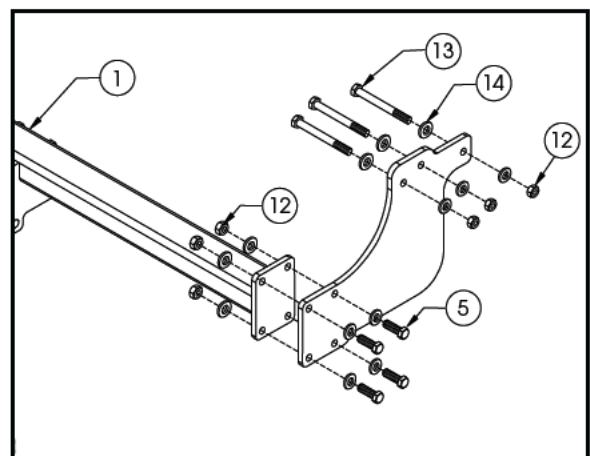
Secure side plate assembly (2) using washers (14) and nuts (12).



- 3** On the RHS. Remove 3 x bolts. 1 from chassis and 2 from the step bracket.

Use 3 x M12 x 120 bolts (13) and washers (14) to feed back through the step and 1 hole in front of step bracket.

Attach RHS side arm (2) to outside of chassis and loosely secure with 3 x M12 washers (14) and 3 x M12 Nuts (12).



- 4** Fit the towbar assembly (1) between the side arms and loosely fit 4 x bolts (5), washers (14) and nuts (12) on each side arm.

- 5** Ensure all fasteners are tightened according to the torque settings on Page 2.

# BALLMOUNT INSTALLATION

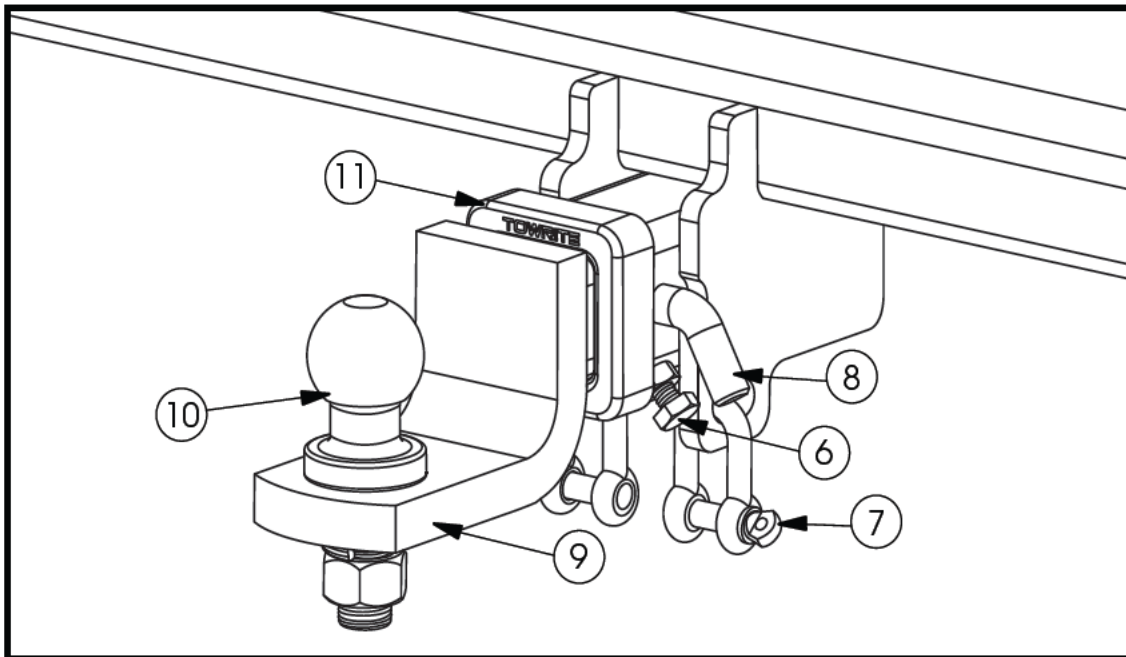
**6**

Fit the plastic shroud (11) and ballmount (9) into the receiver.  
Fasten with hitch pin & clip (8).

Attach the anti rattle bolt with locking nut (6) and D shackles (7).

**NOTE: This bolt is only to be tightened when not towing.**

Fit the towball (10) to the ballmount (9).



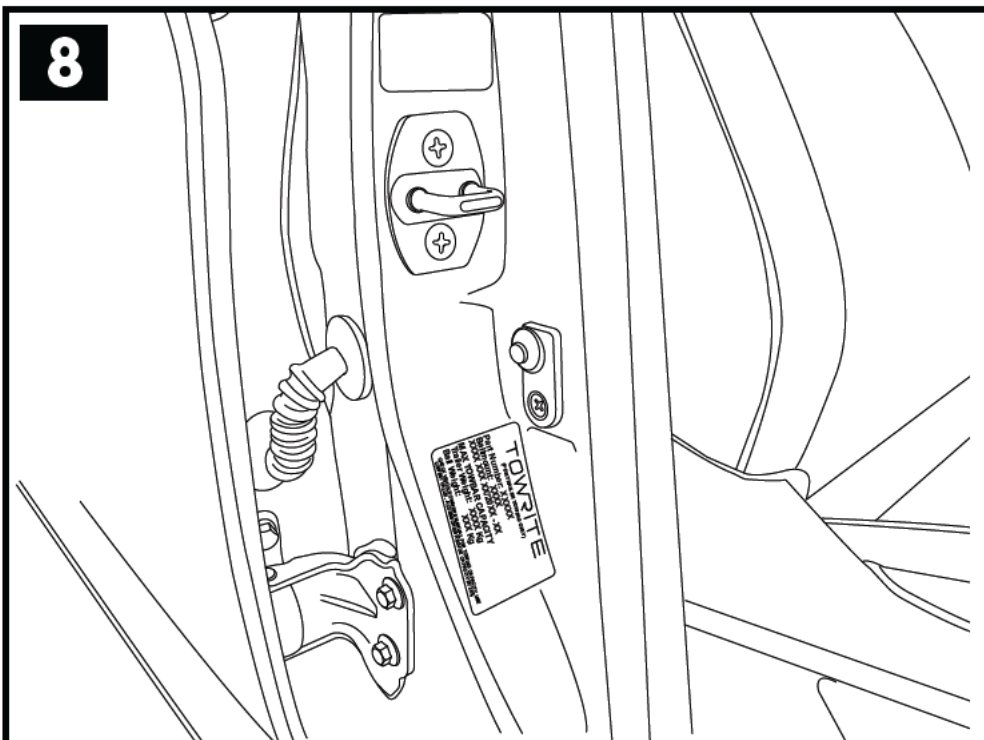
Please see below for Ballmount installation video.



# LABEL INSTALLATION

## CLEAN SURFACES

Attach 1 x compliance label on the towbar and the second on the drivers side door well.



## **Maintenance and Care**

Here are some maintenance and care tips to allow for trouble free operation of your towbar for years to come.

- A) TowRite recommend removal of the ball mount/tongue when not in use.
- B) Check all fasteners regularly and tighten if necessary. If any fasteners are worn or damaged use the same grade replacements.
- C) Ensure towing and down ball weights do not exceed manufacturers specifications (this may differ between vehicles - check owners handbook). This is the driver's responsibility.
- D) Use a spray lubricant on contacts for wiring connections as well as removable and insert able parts regularly (ie. Trailer plug and ball mount and pin and clip).
- E) Check towball for wear and tear regularly, ensure towball is correctly fastened and torqued before towing.

## **WARRANTY INFORMATION**

Your towbar comes with a limited lifetime warranty covered nationwide.  
For warranty information please visit [www.towritetowbars.com.au](http://www.towritetowbars.com.au)

**Contact us at [warranty@towritetowbars.com.au](mailto:warranty@towritetowbars.com.au) or call us on 1800 869 748**

**TOWRITE**  
TOWBARS AUSTRALIA

**TowRite Towbars Australia  
9 Deakin Street  
Brendale Qld 4500  
AUSTRALIA  
1800 869 748**

***info@towritetowbars.com.au***  
***www.towritetowbars.com.au***