

MAZDA 3 (BM)

5-Door 10/13 - 07/16

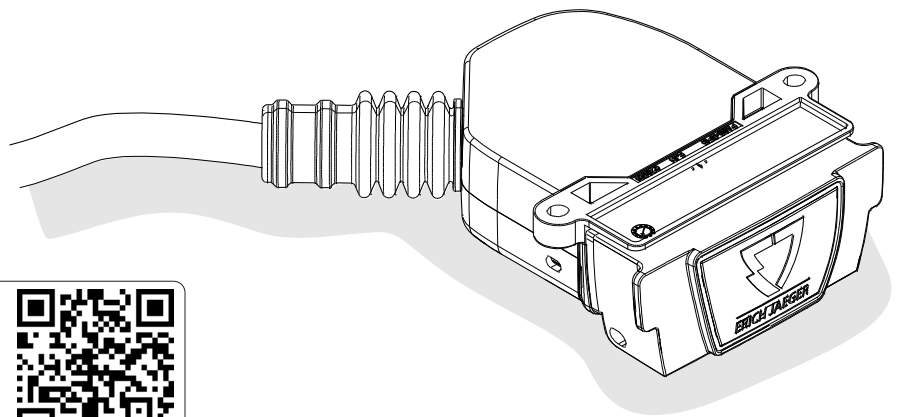
4-Door 10/13 - 07/16

Mazda 3 (BN)

08/16 >>

08/16>>

Part No. 750005



5 DDFCJ98 2 CERTIFIED AND TESTED WITH



**SPECTRUM™
BRAKE CONTROL**



Installation instructions

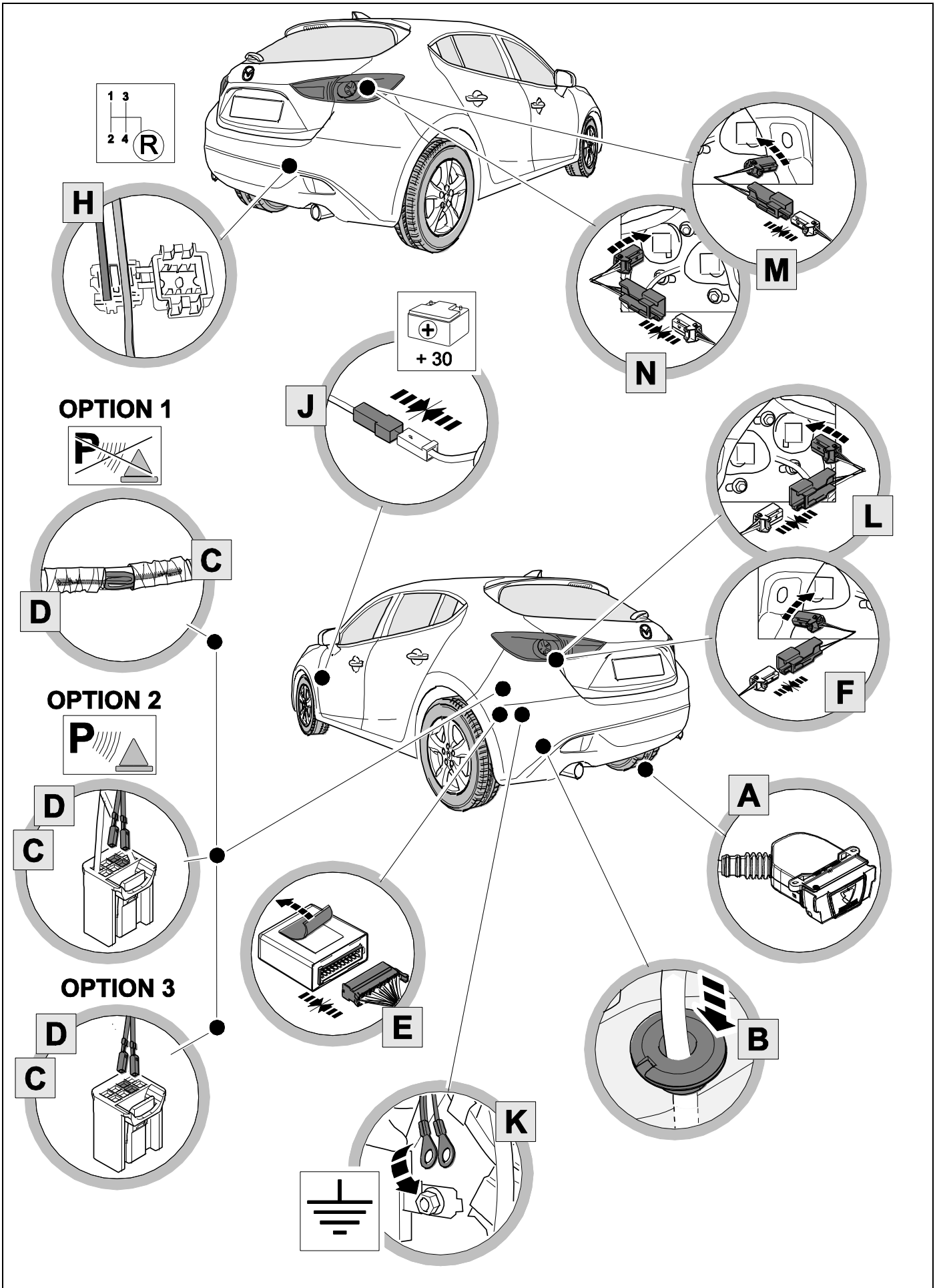
Reference:

The following information must be reviewed before beginning the assembly:

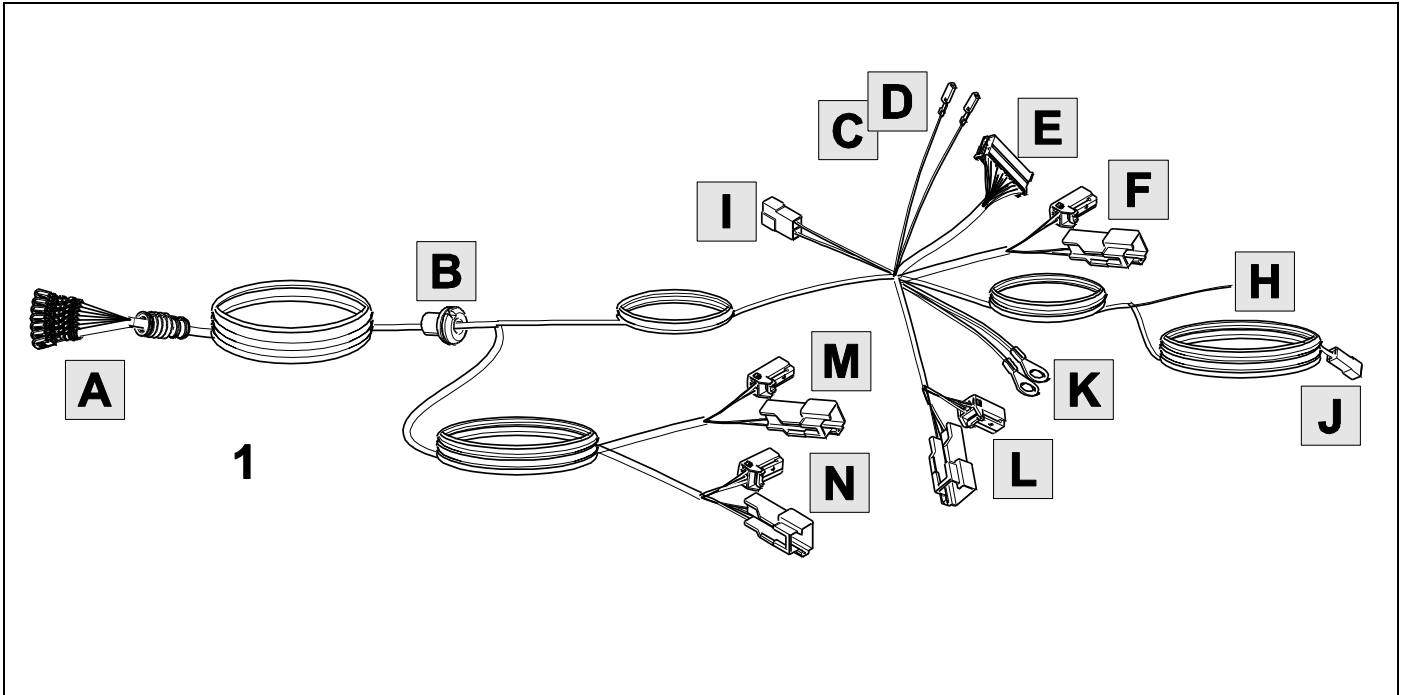
The installation instructions are to be thoroughly read.

The installation should be carried out by qualified personnel with the relevant technical knowledge. The vehicle manufacturers' current technical notices and information on retrofitting must be followed. The removal and replacement instructions found in the current repair manuals must be followed.

It must be ensured that the vehicle is technically suitable for the installation of a trailer hitch.



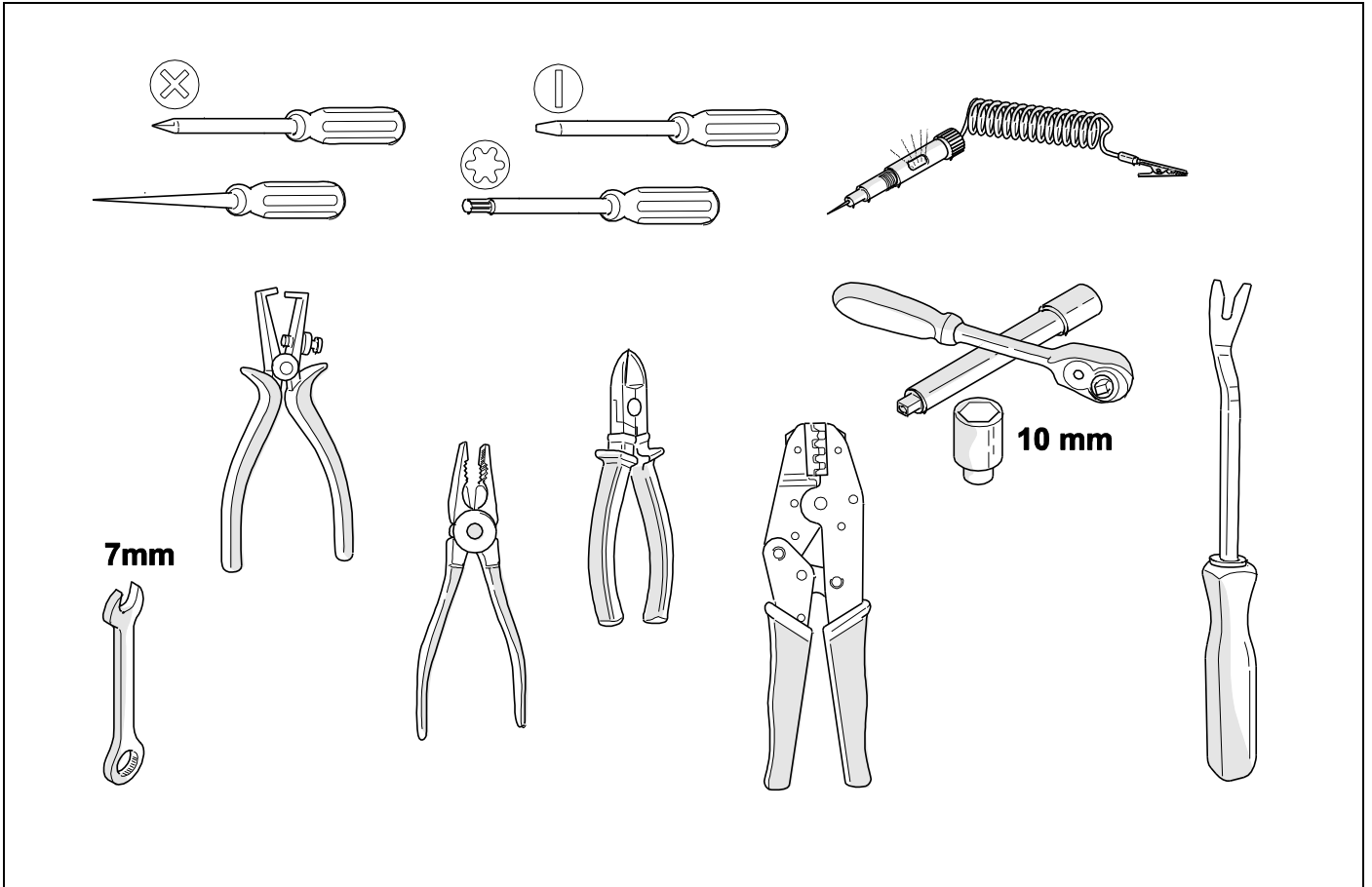
KIT



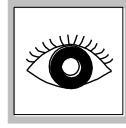
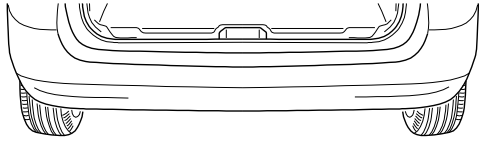
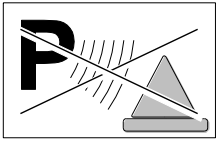
- 2**
3
4
5
6
7
8
-
- 9**
10
11
12
13
14
-
- 4x

25A
3x
10x
- 15**
16
17
18
19
-
- 2x
2x

TOOLS



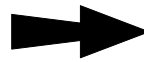
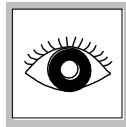
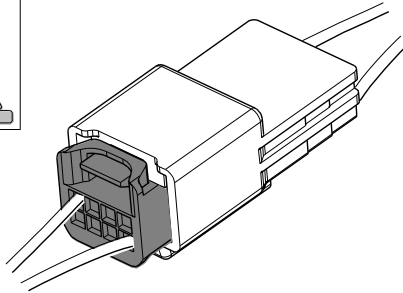
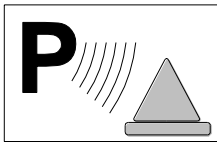
(BM) Vehicle without PDC (10/13-07/16)



OPTION 1

1	-	13
21	-	34

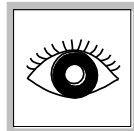
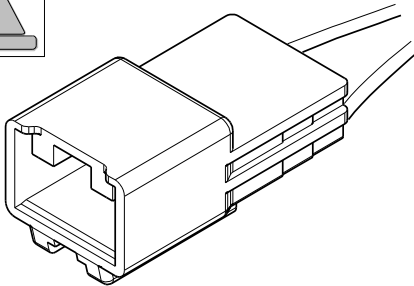
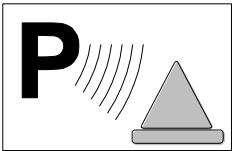
(BM) Higher Spec Vehicles (10/13-07/16)



OPTION2

1	-	12
14	+	15
21	-	34

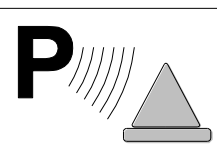
(BM) Base Models (10/13-07/16)



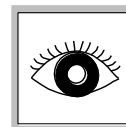
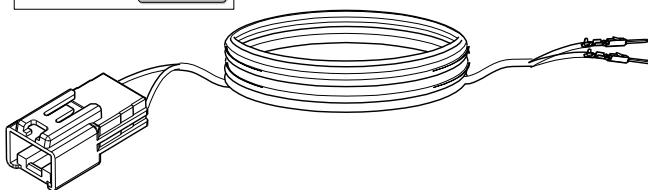
OPTION3

1	-	12
16	+	17
21	-	34

(BN) Models (08/16 >>)

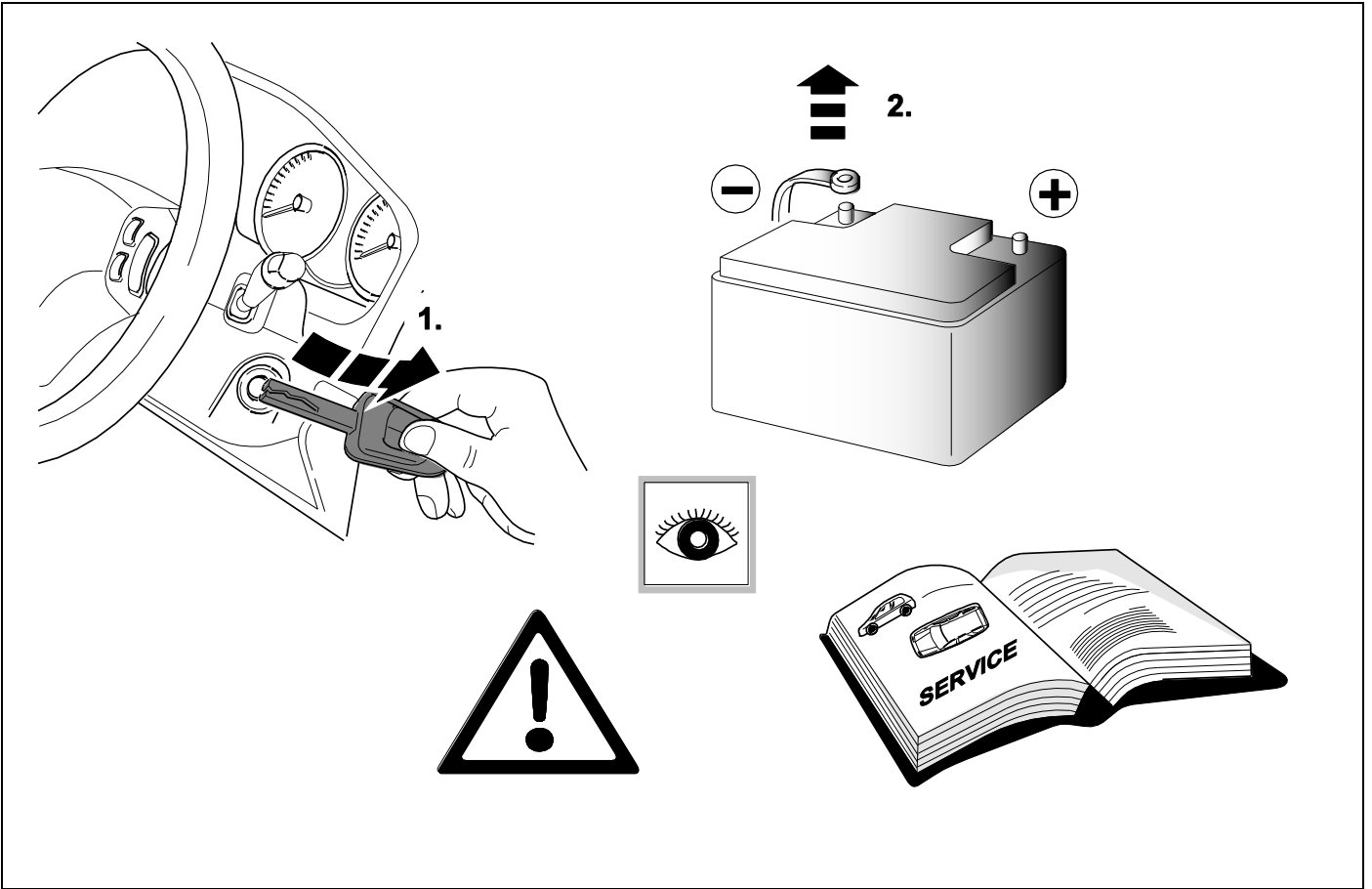


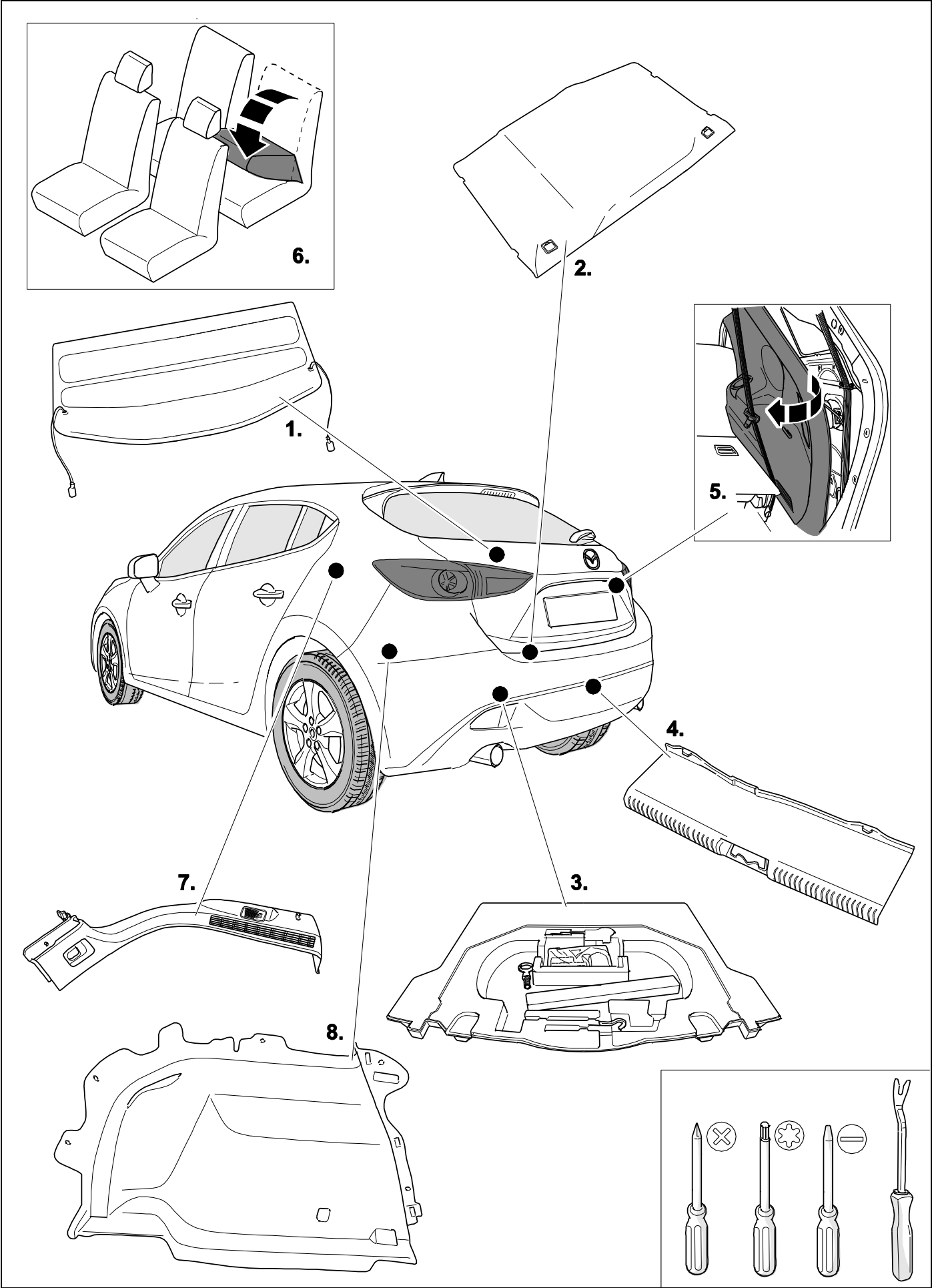
15



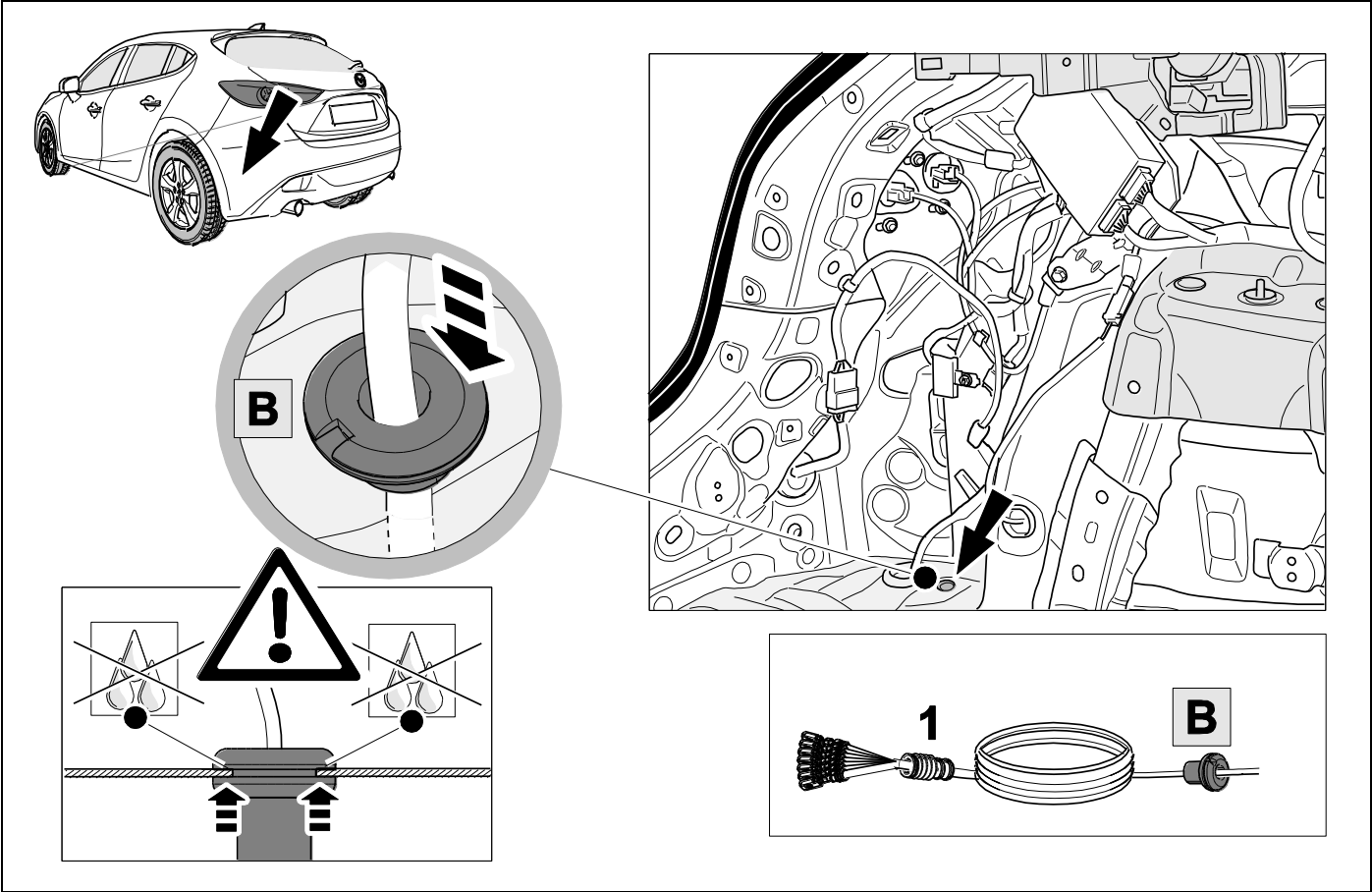
OPTION 4

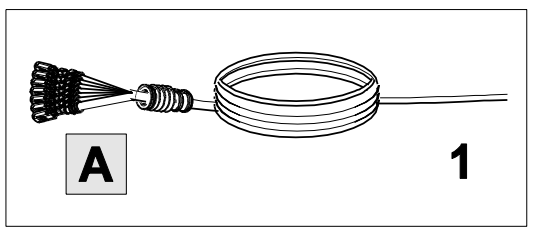
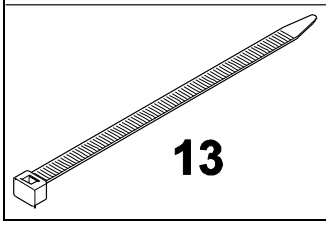
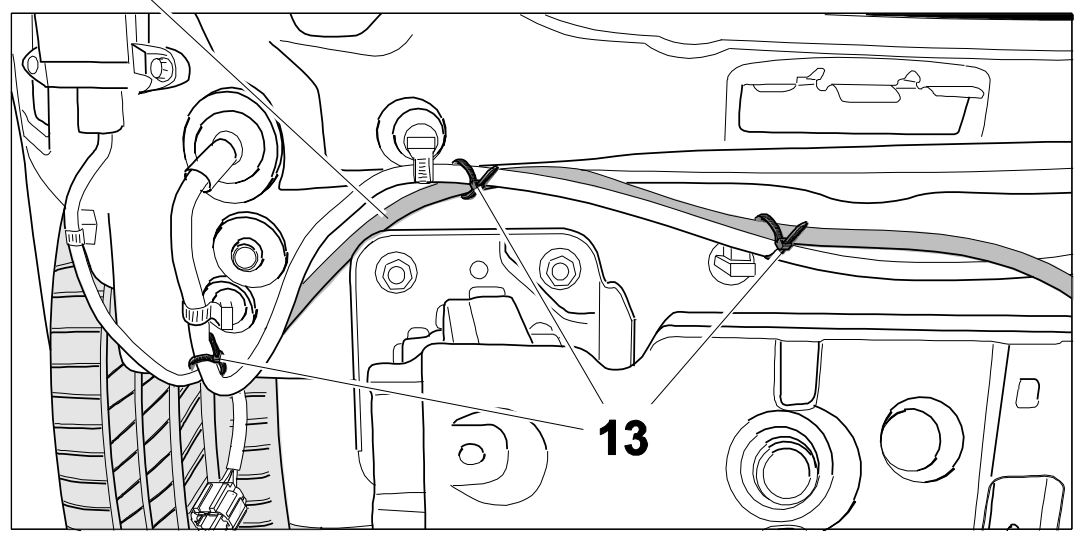
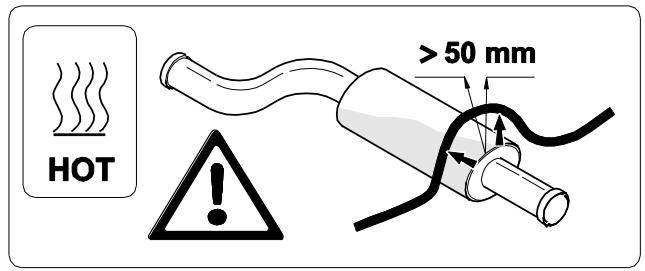
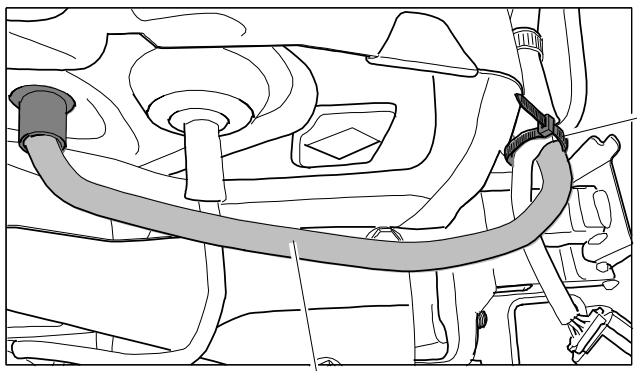
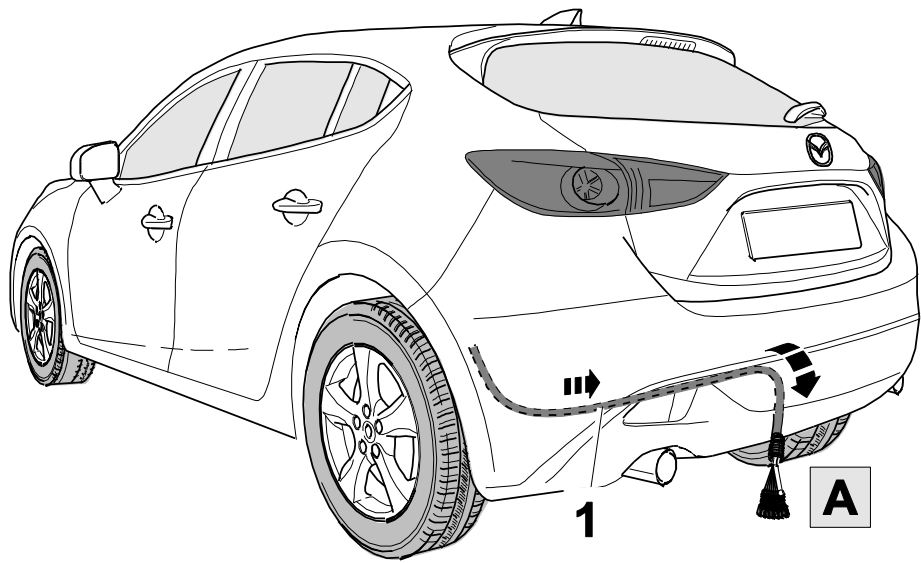
1	-	12
18	-	34

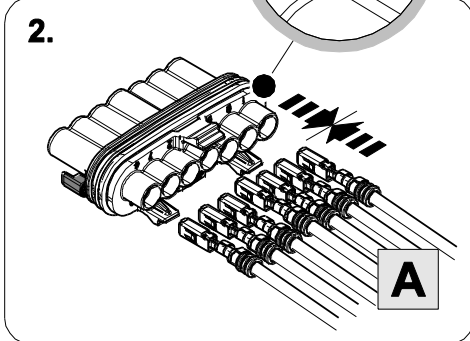
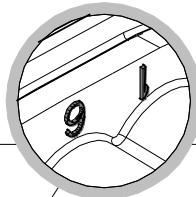
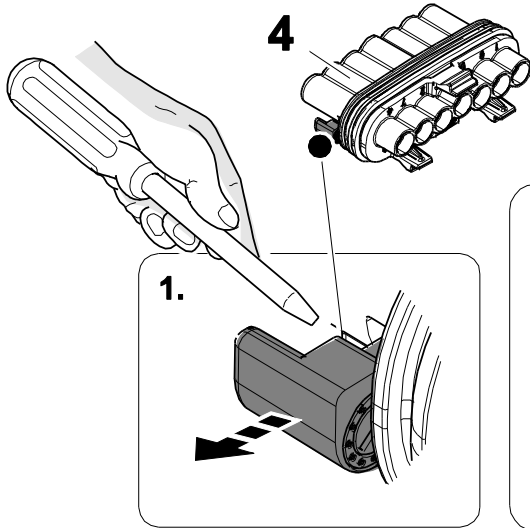




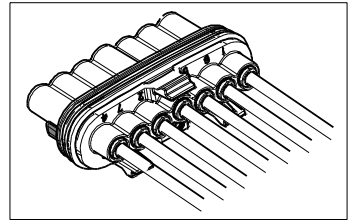
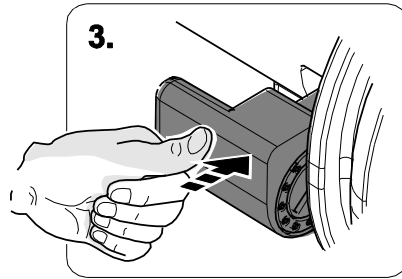
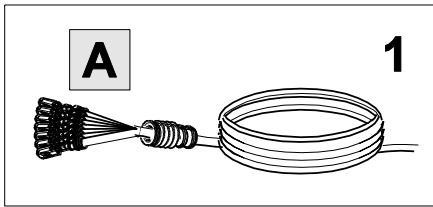
4



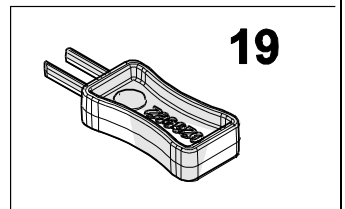
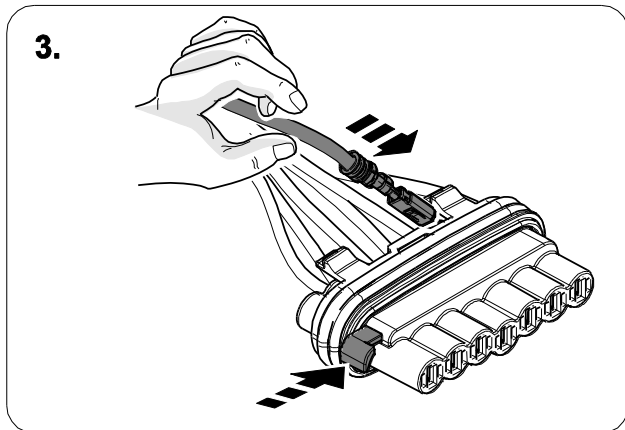
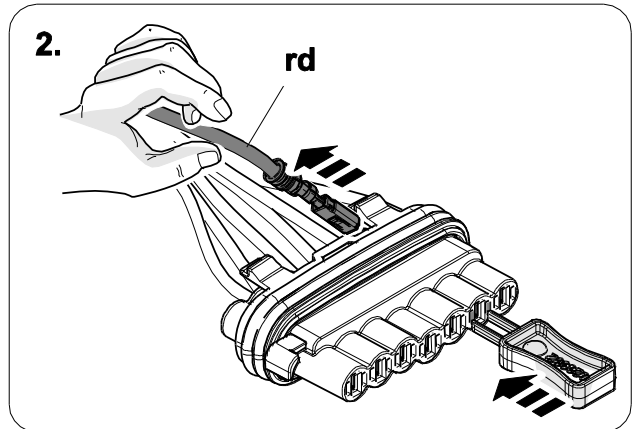
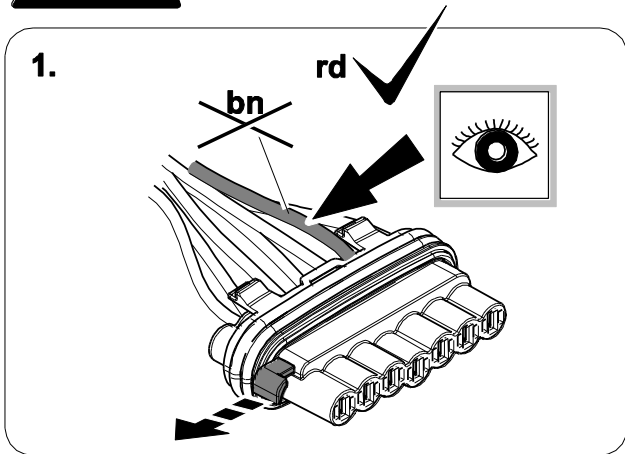




ye	1	
rd	6	
bu	5	
wh	3	
bk	2	
bn	7	
gn	4	



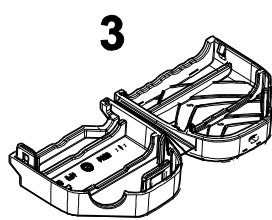
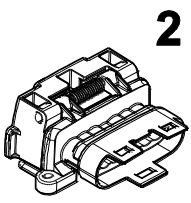
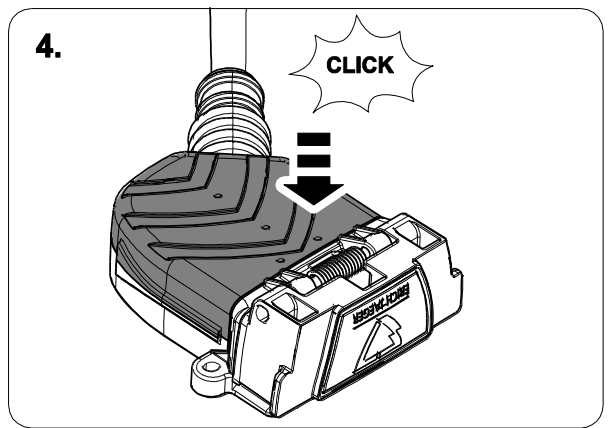
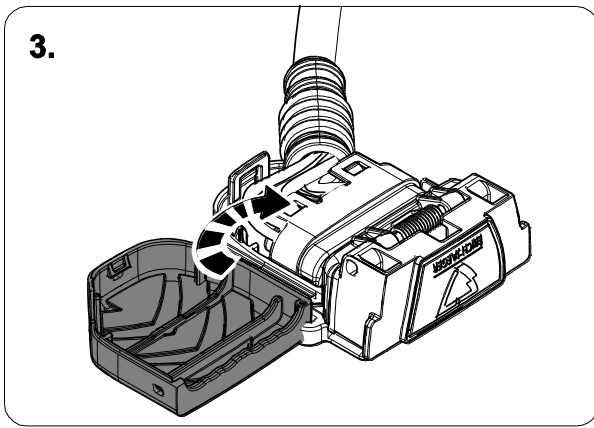
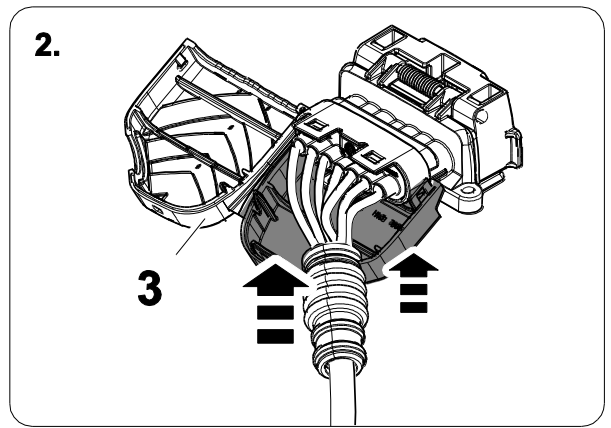
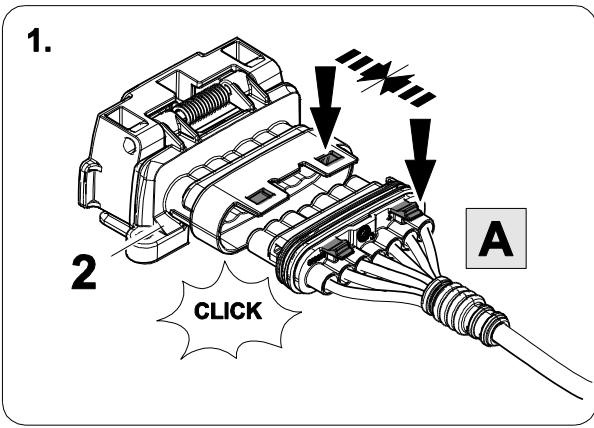
In case of wrong pin insert:



7



8



SCAN to WATCH



8



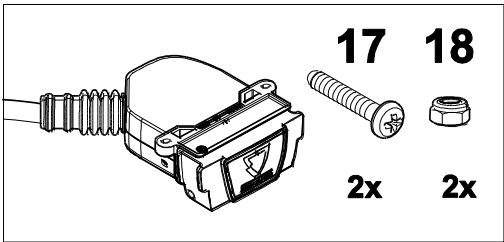
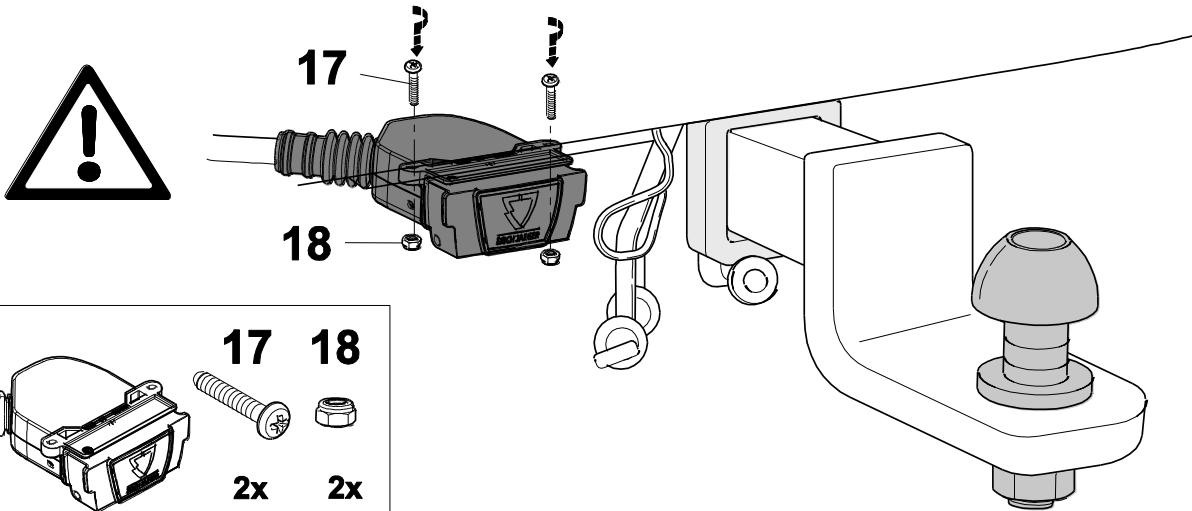
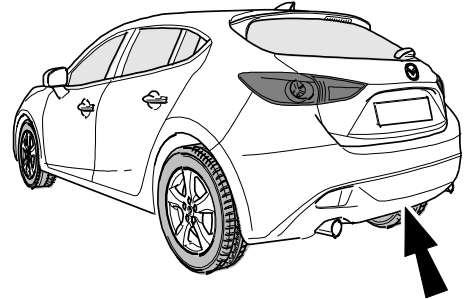
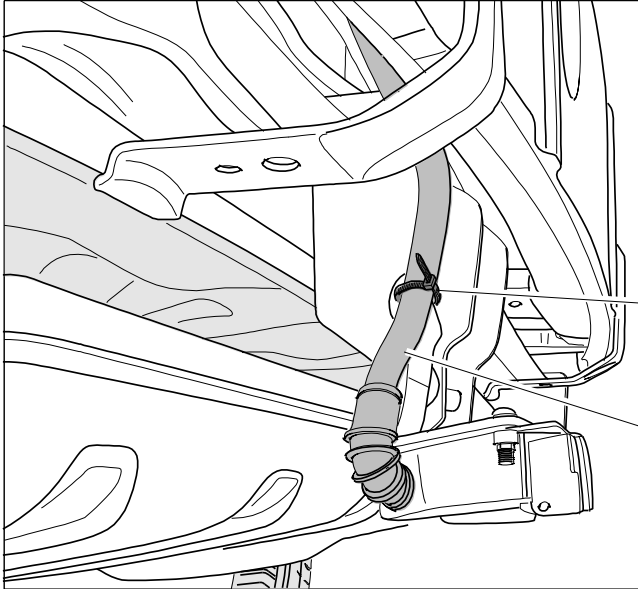
9

1	ye	
2	bk	
3	wh	
4	gn	
5	bu	
6	rd	
7	bn	

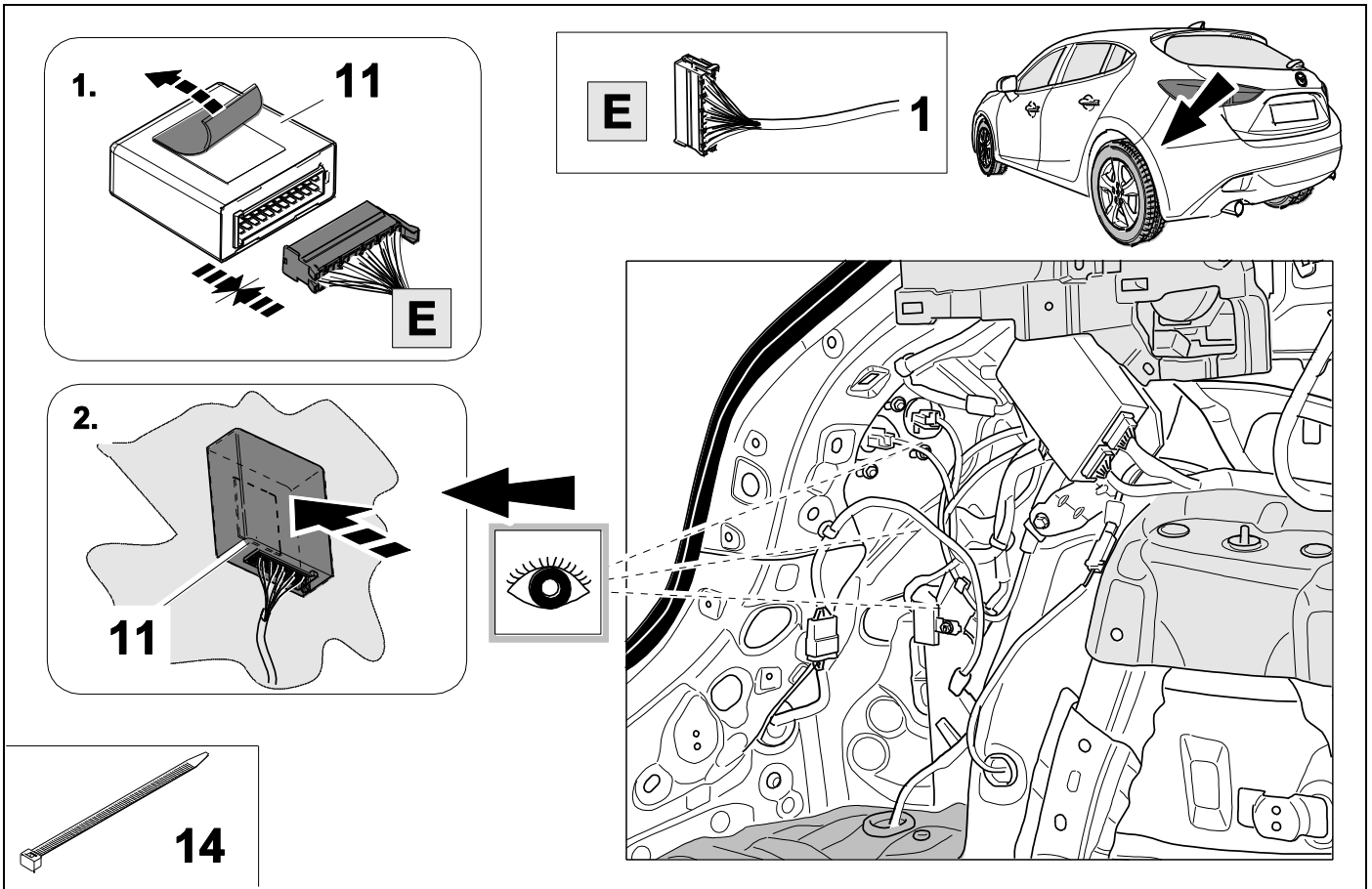
9	bk	wh	gy	gn	rd	bu	ye	bn	pu	or	no
----------	-----------	-----------	-----------	-----------	-----------	-----------	-----------	-----------	-----------	-----------	-----------

GB	black	white	grey	green	red	blue	yellow	brown	purple	orange	not occupied
-----------	-------	-------	------	-------	-----	------	--------	-------	--------	--------	--------------

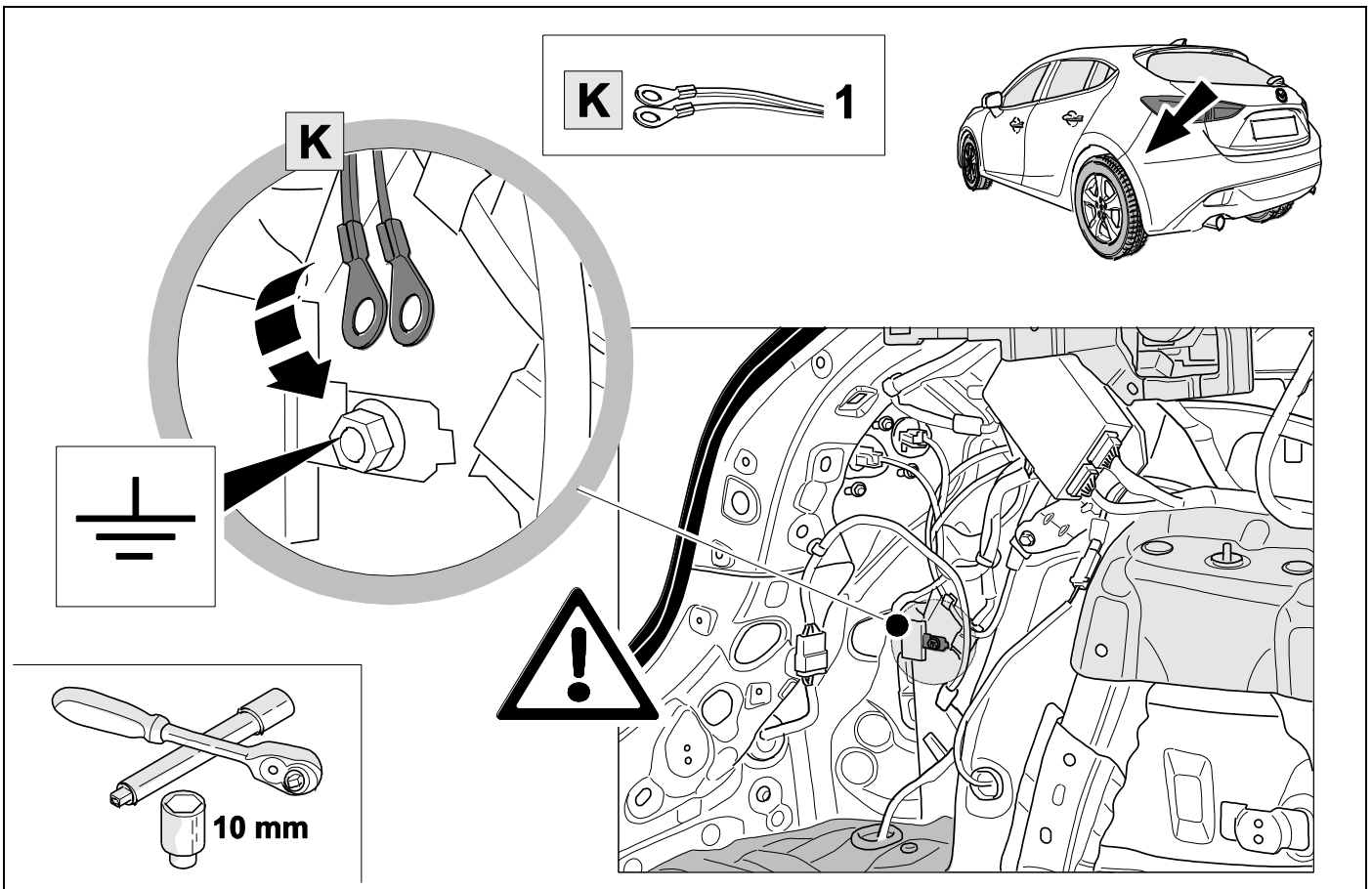
10



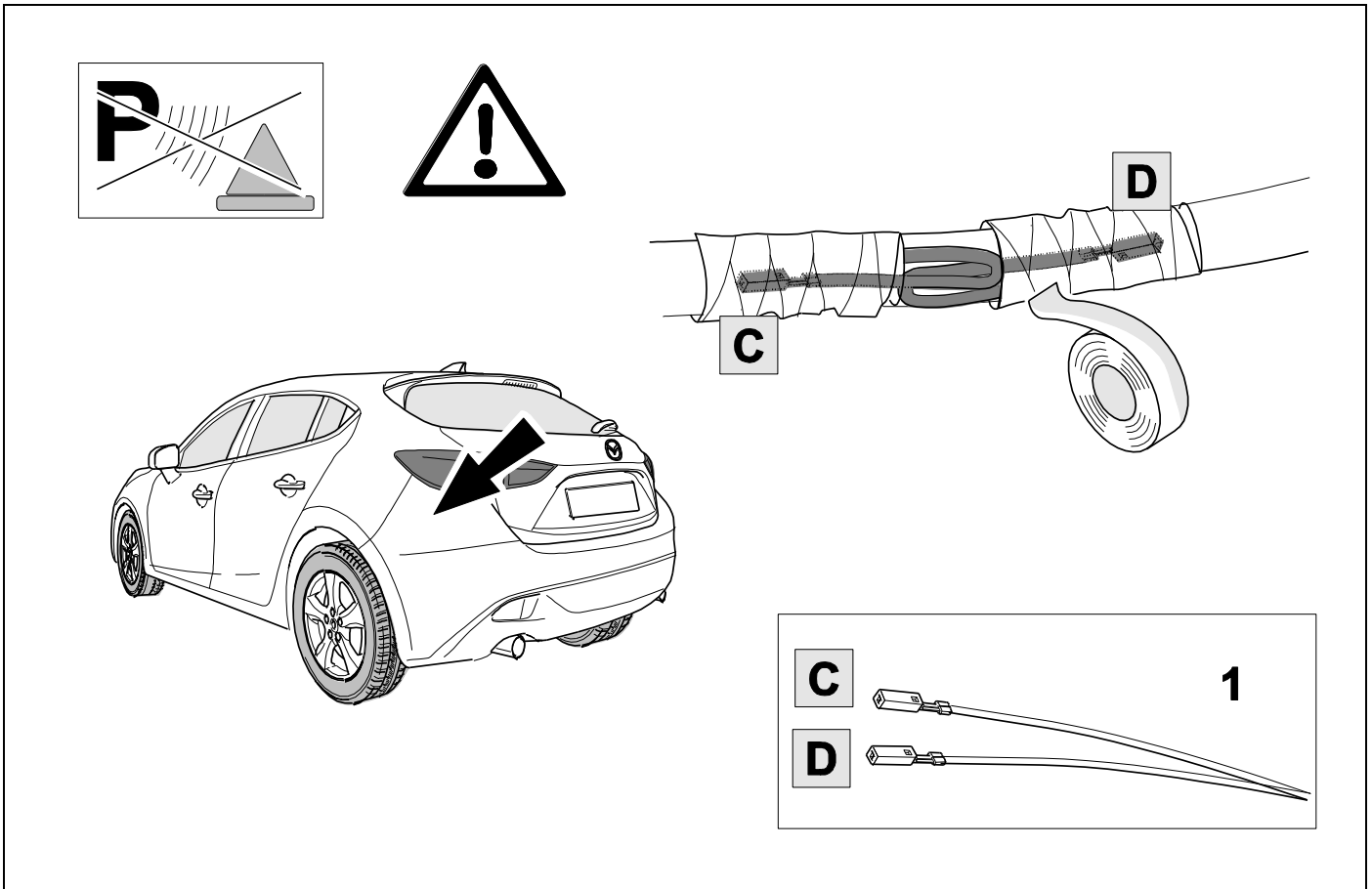
11



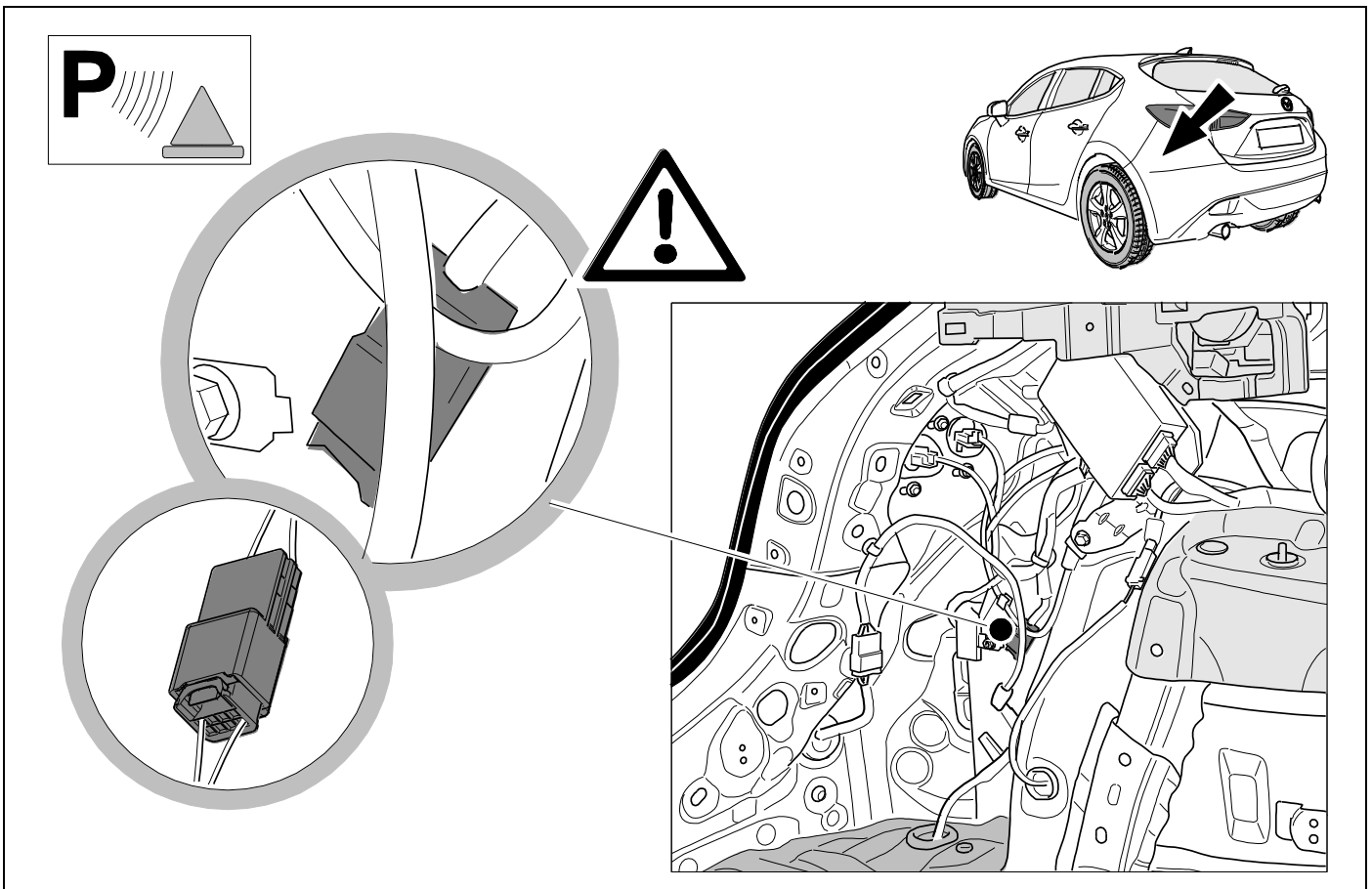
12

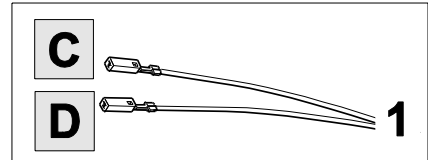
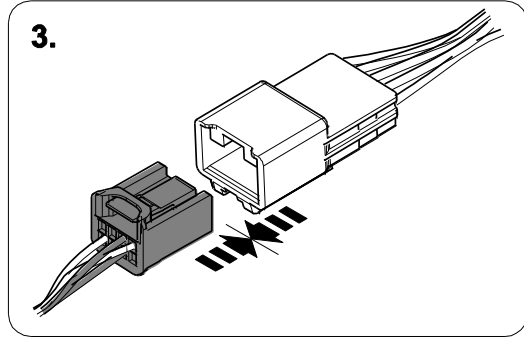
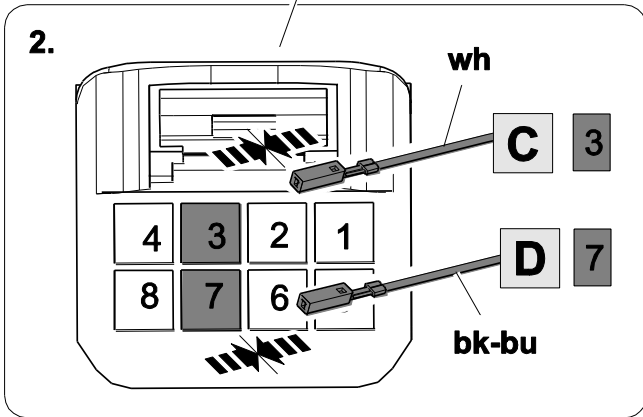
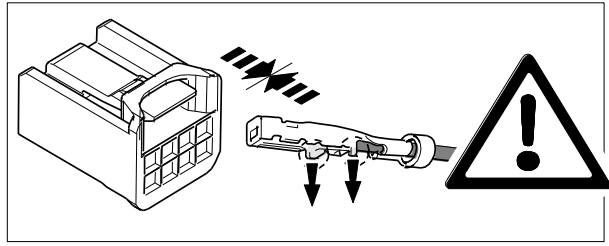
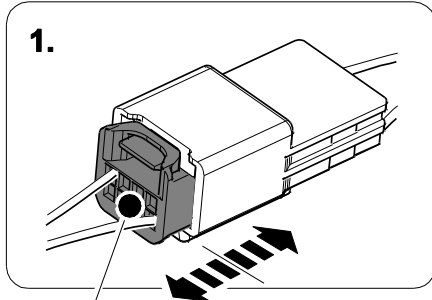
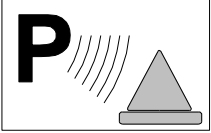


13 OPTION 1 – Vehicles without PDC

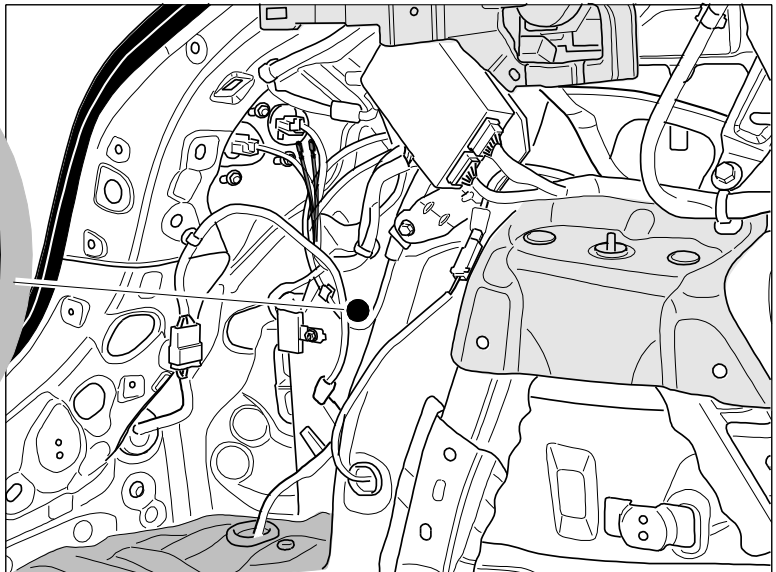
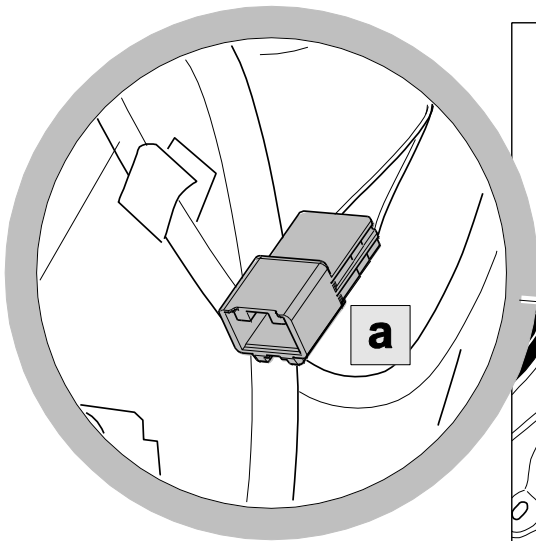
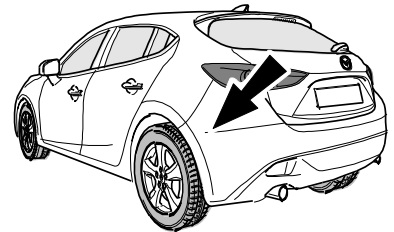
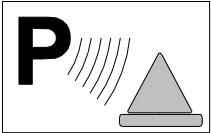


14 OPTION 2 – (BM) Higher Spec. Vehicles (10/13 – 07/16)





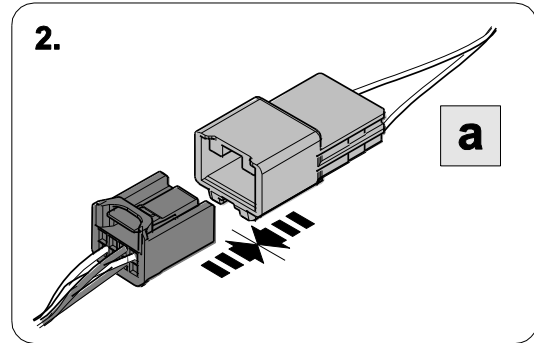
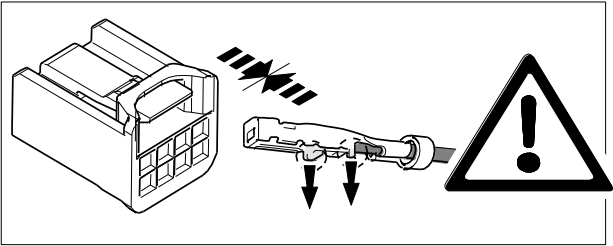
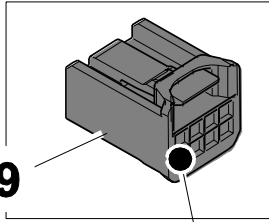
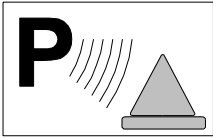
16 OPTION 3 – (BM) Base Models (10/13 – 07/16)



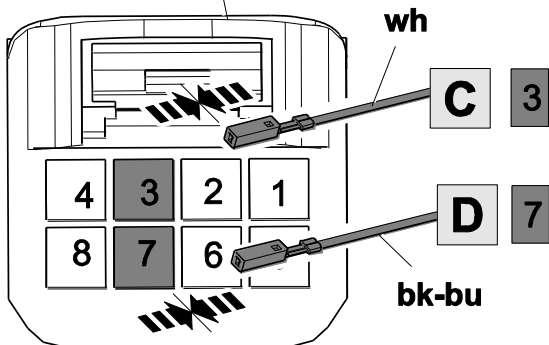
17 OPTION 3



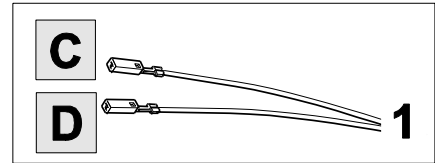
9



1.



Use white connector included in kit.

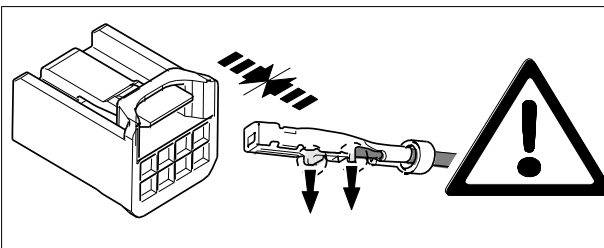
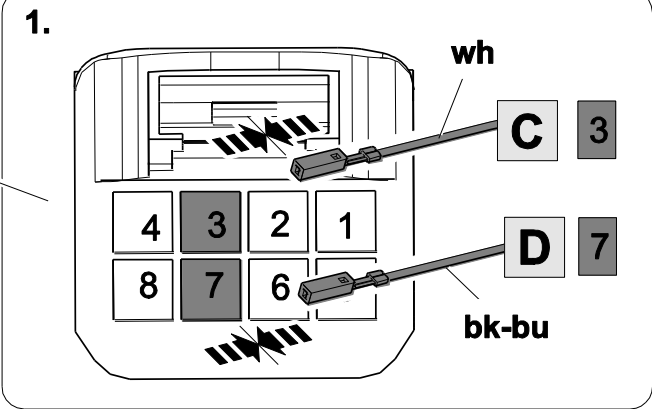
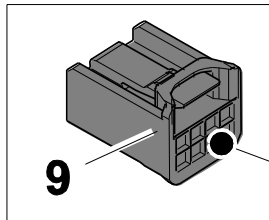
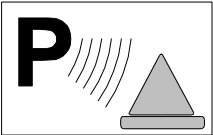


18 OPTION 4

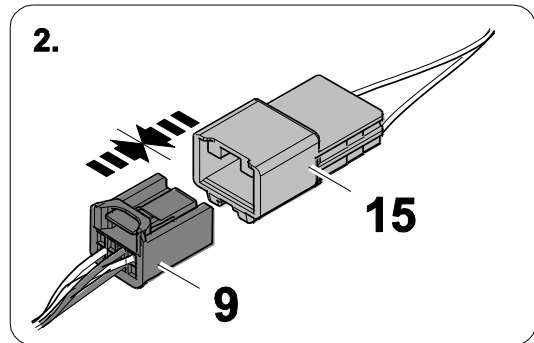
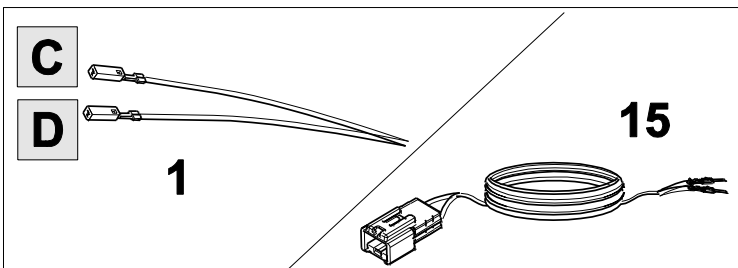


9

(BN) Models 08/16 >>

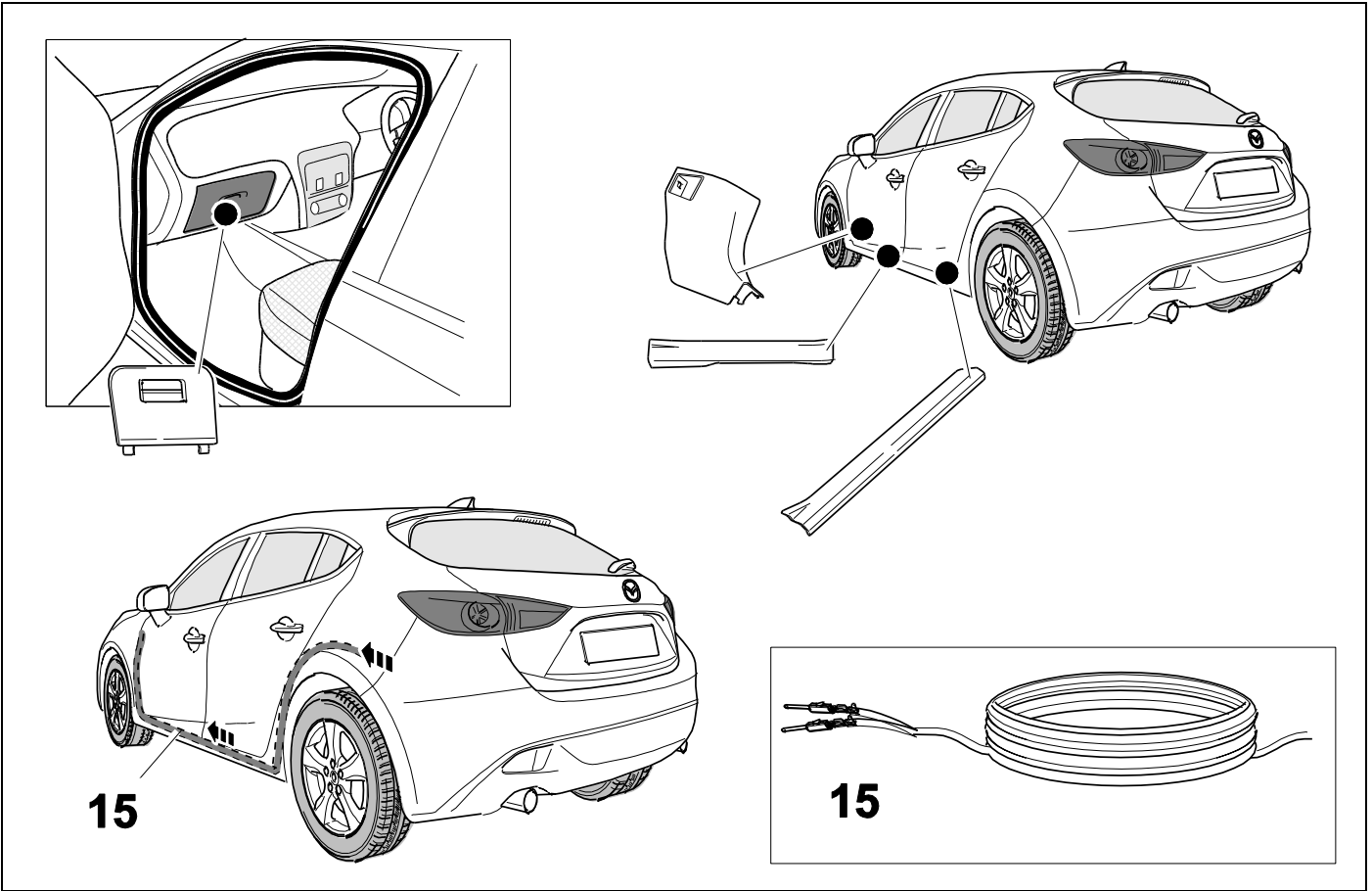


Use white connector included in kit.



19 OPTION 4

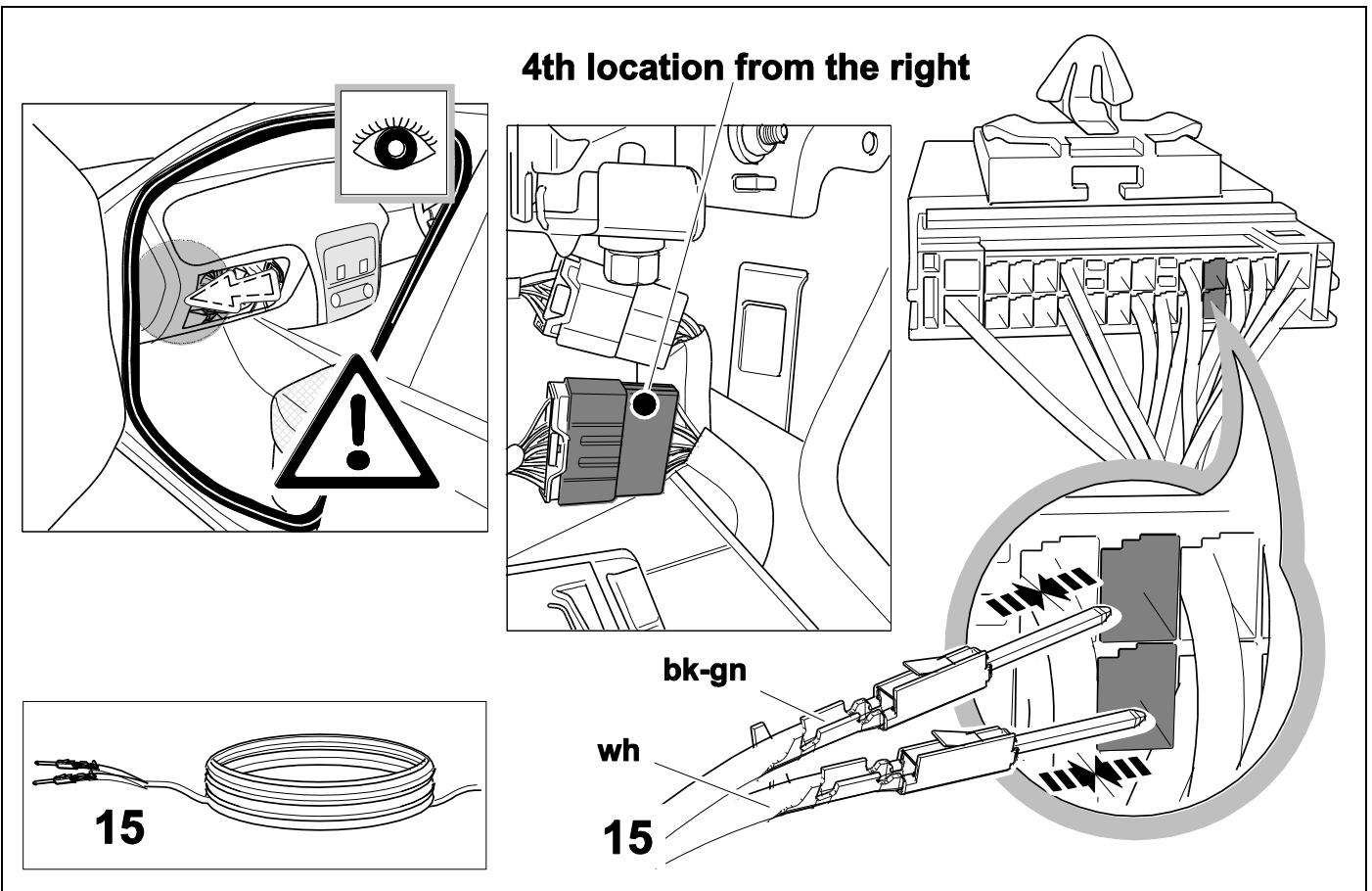
(BN) Models 08/16 >>



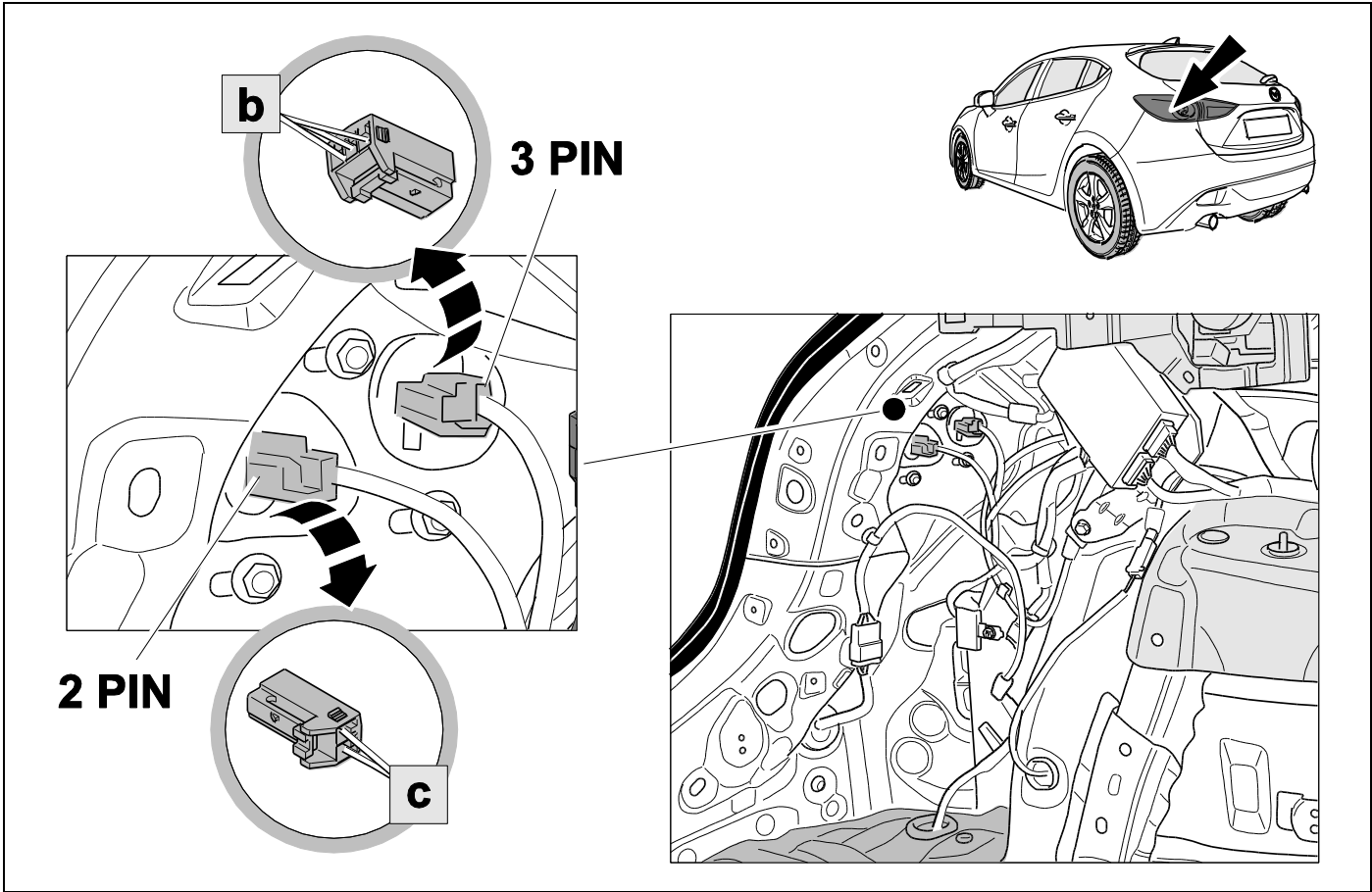
20 OPTION 4



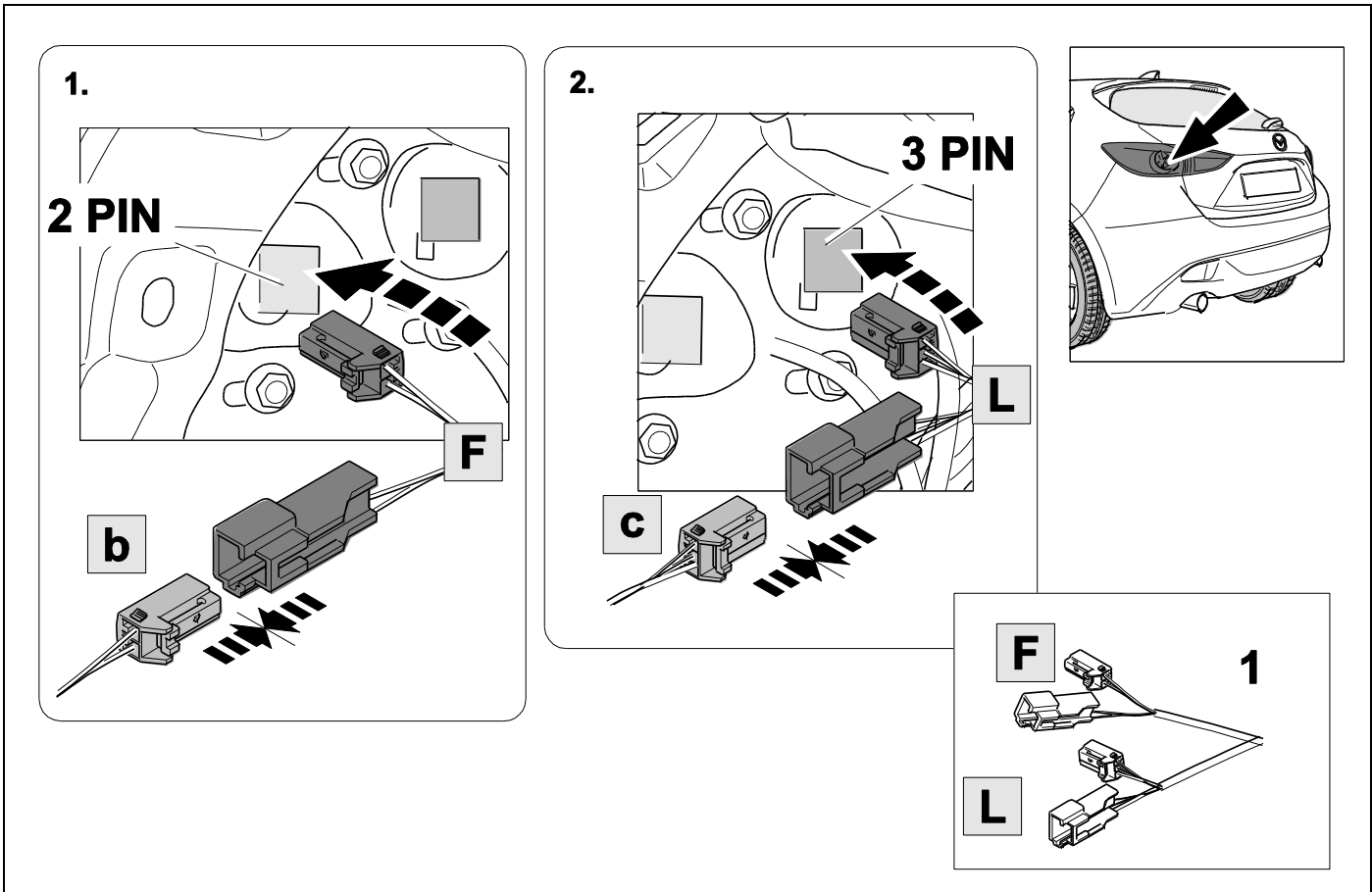
(BN) Models 08/16 >>

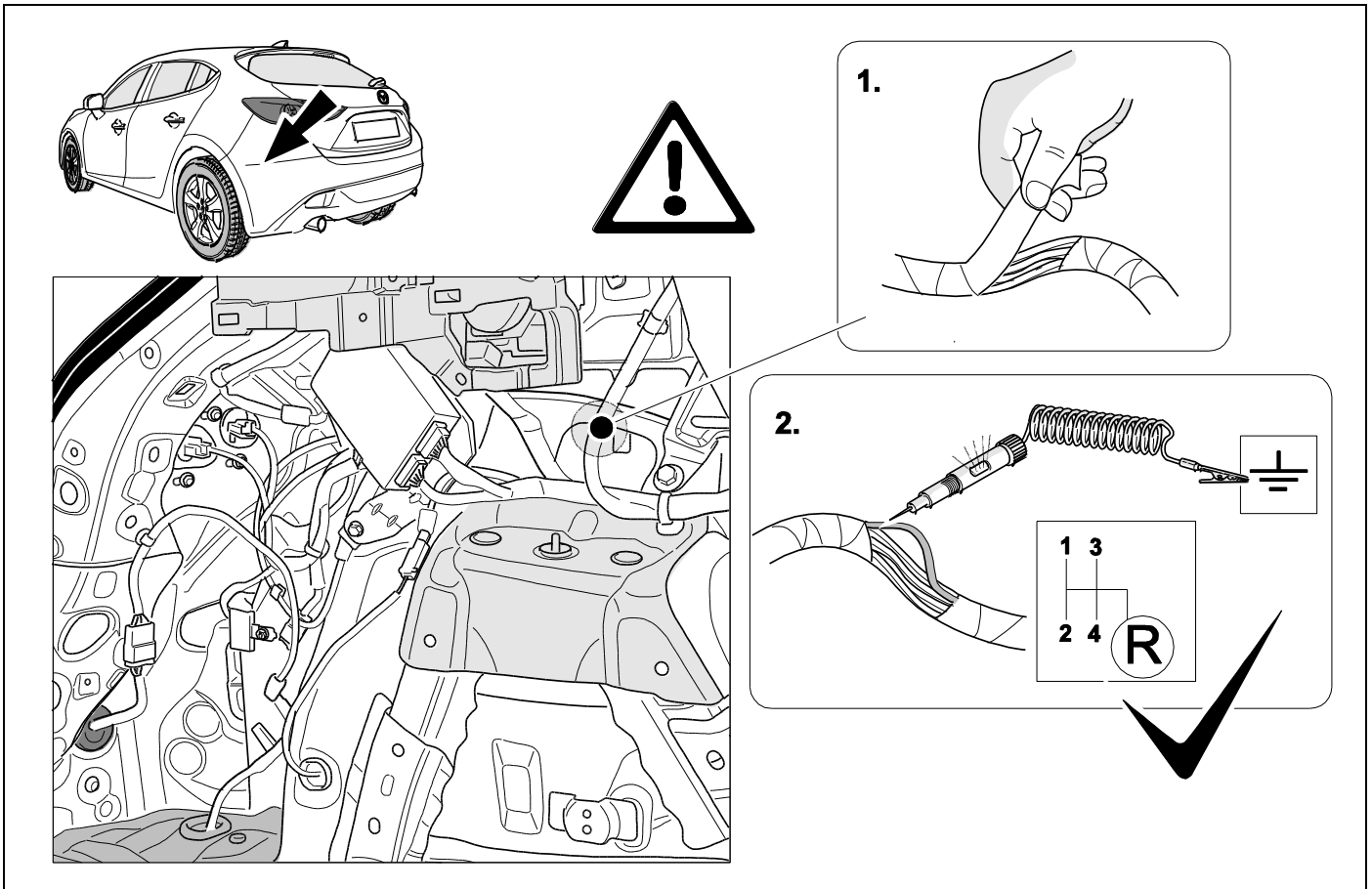


21

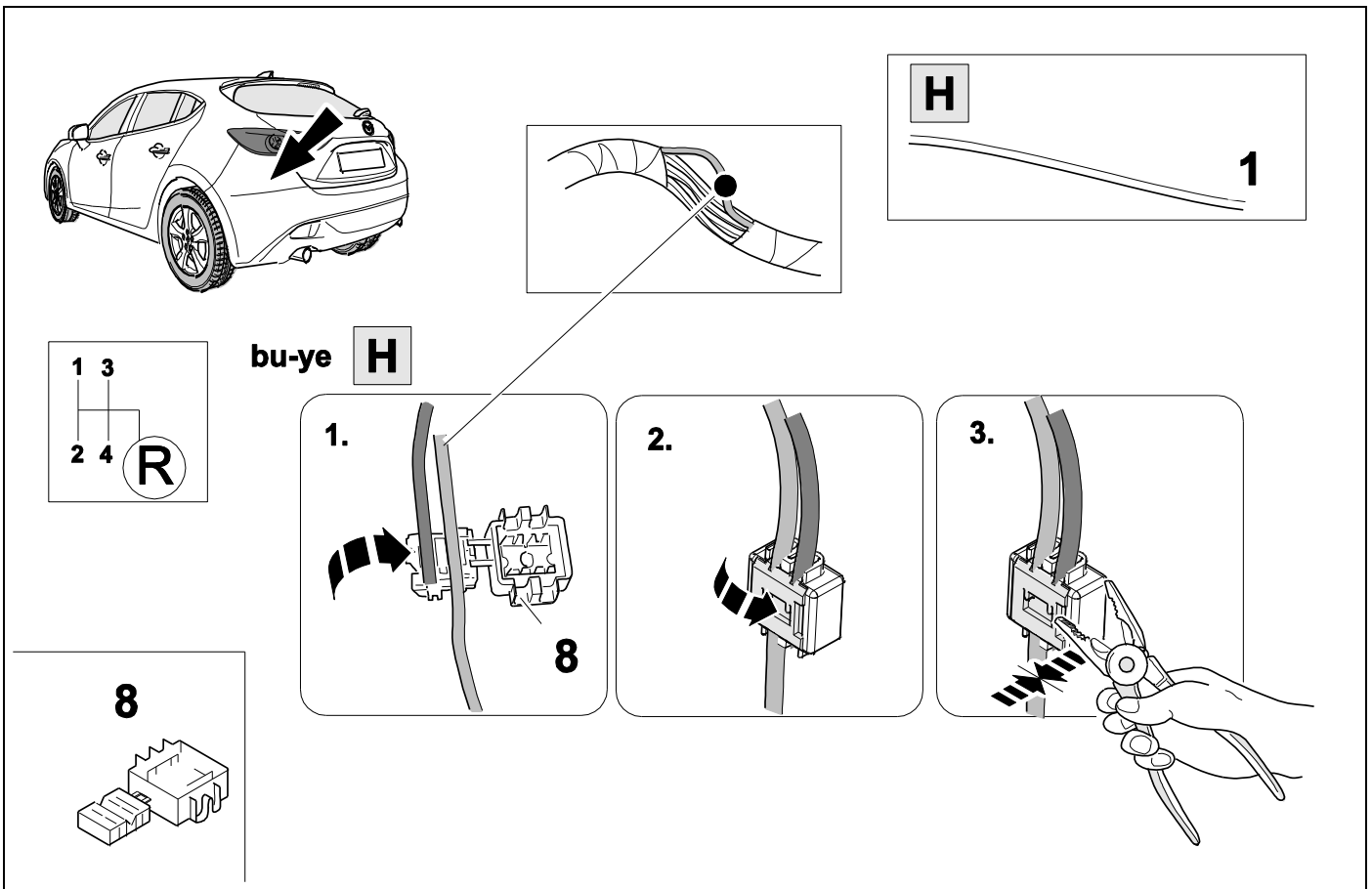


22

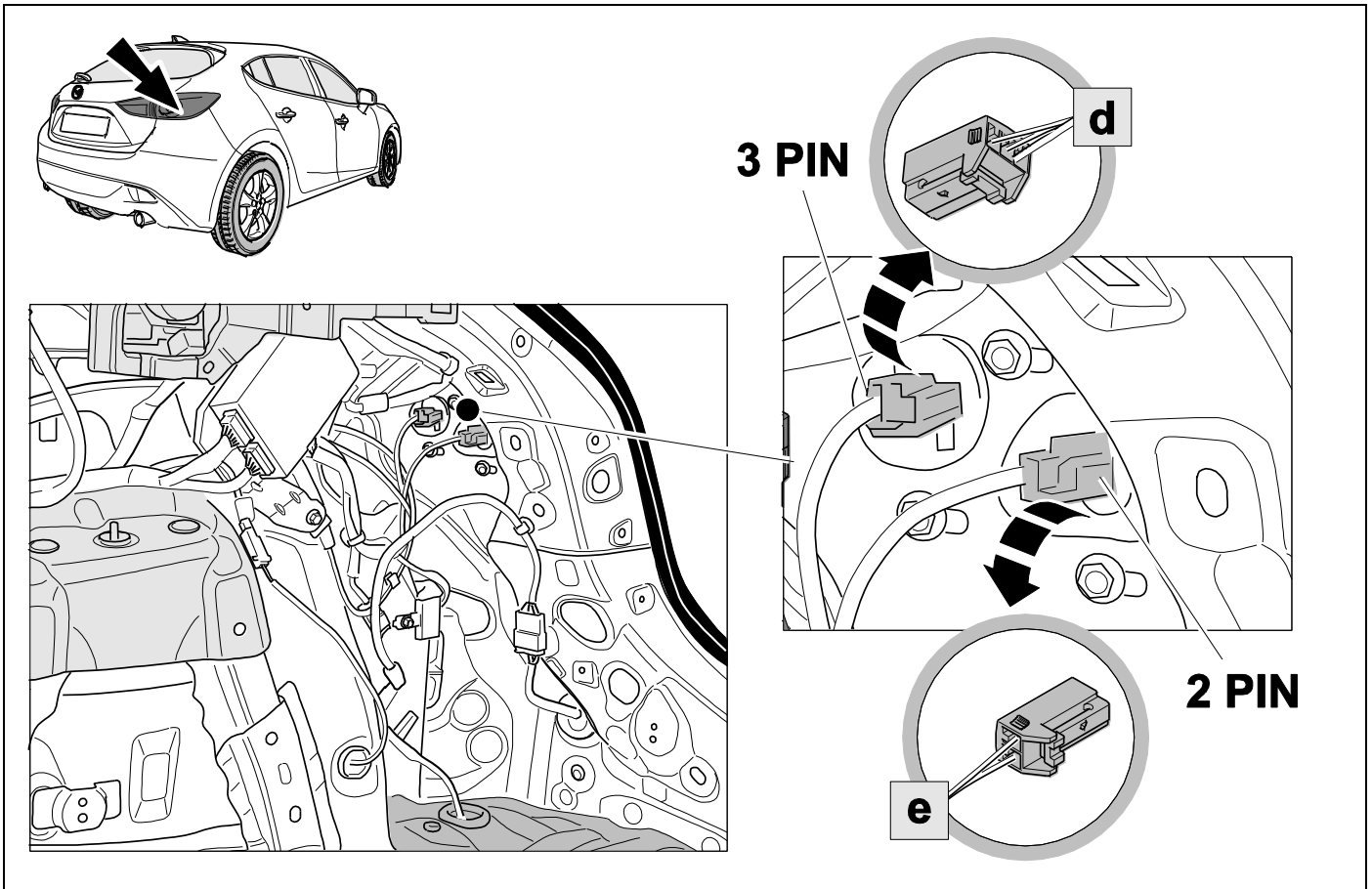




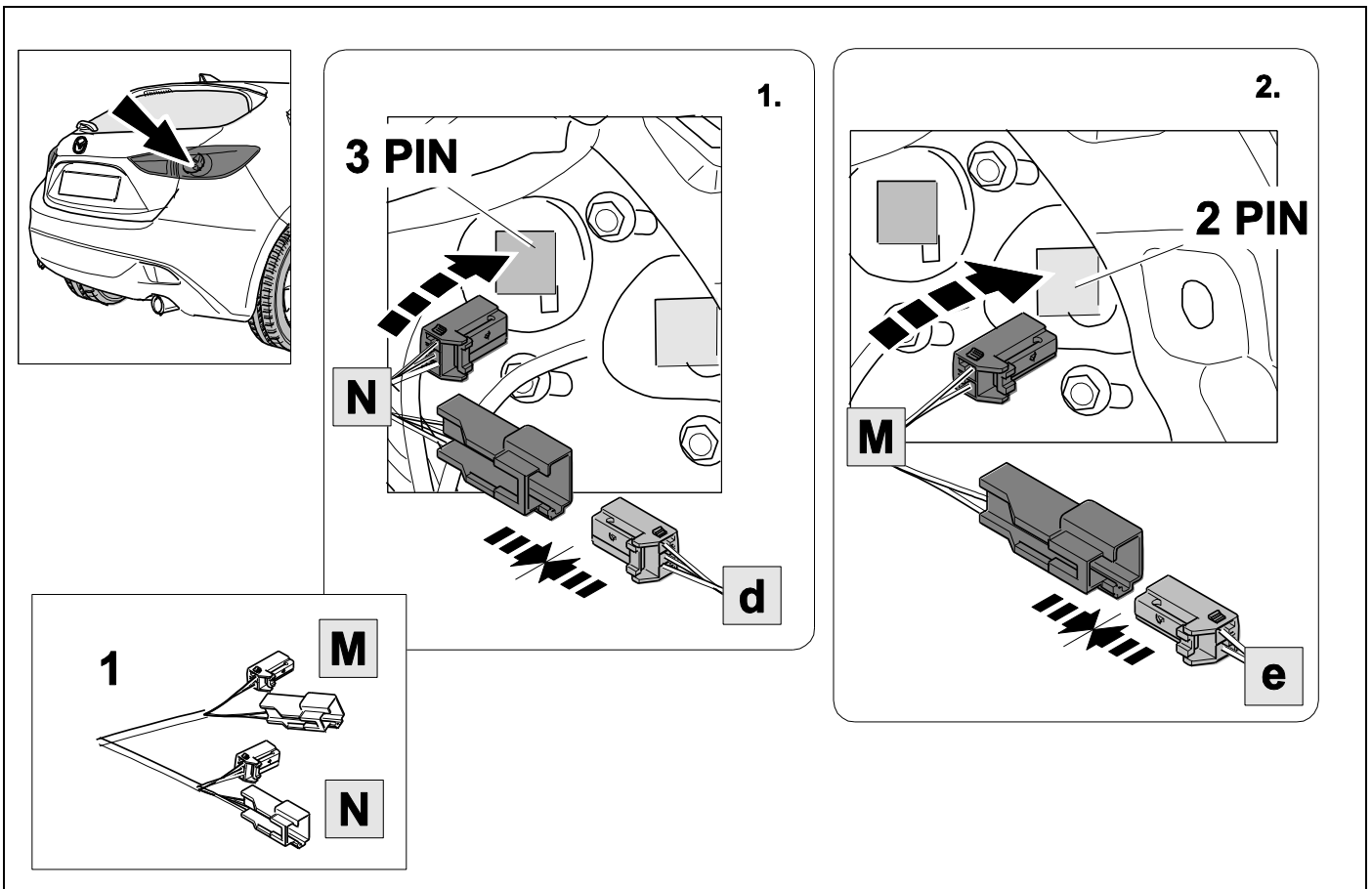
👁️ ⇒ 90



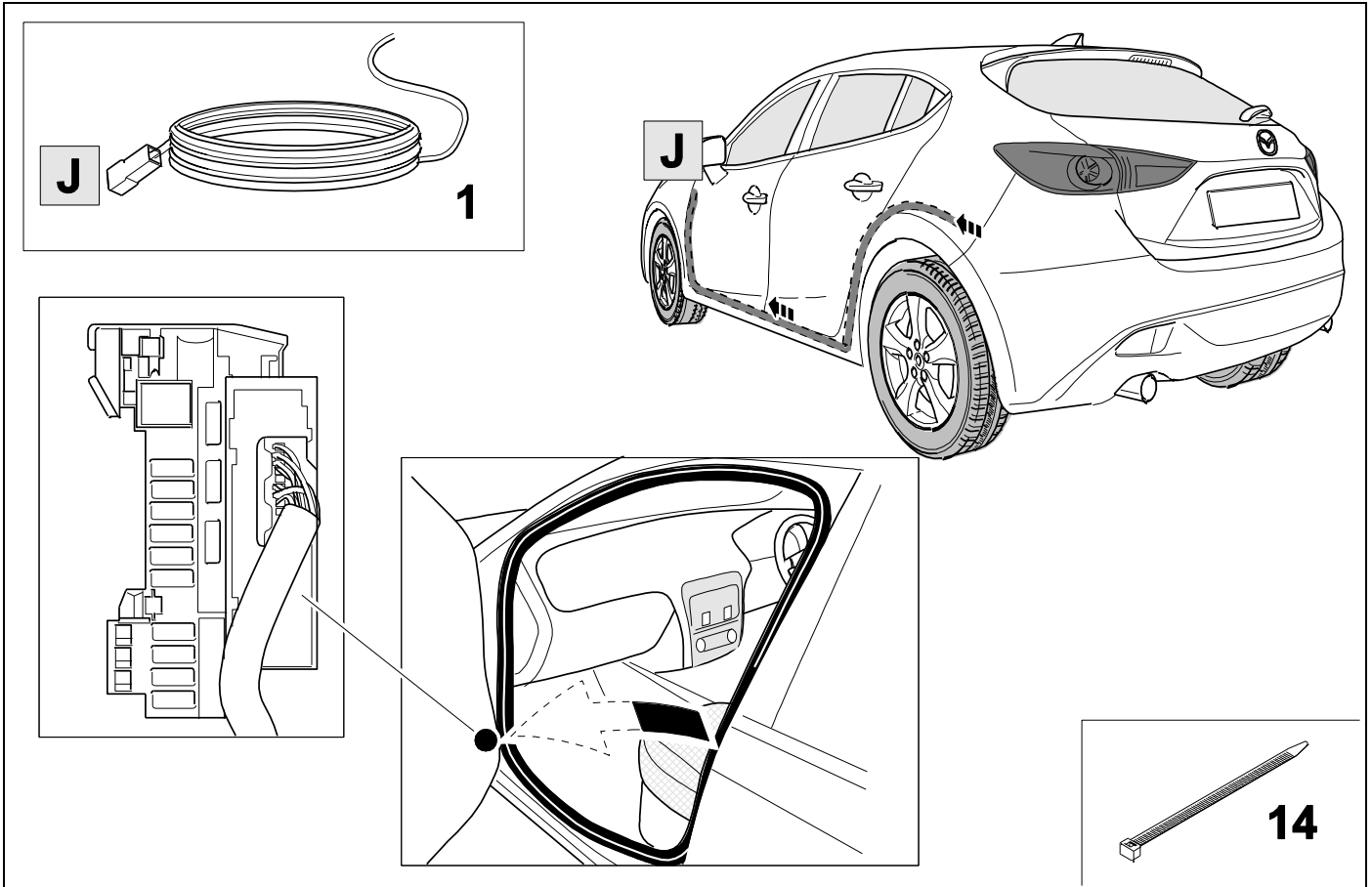
25



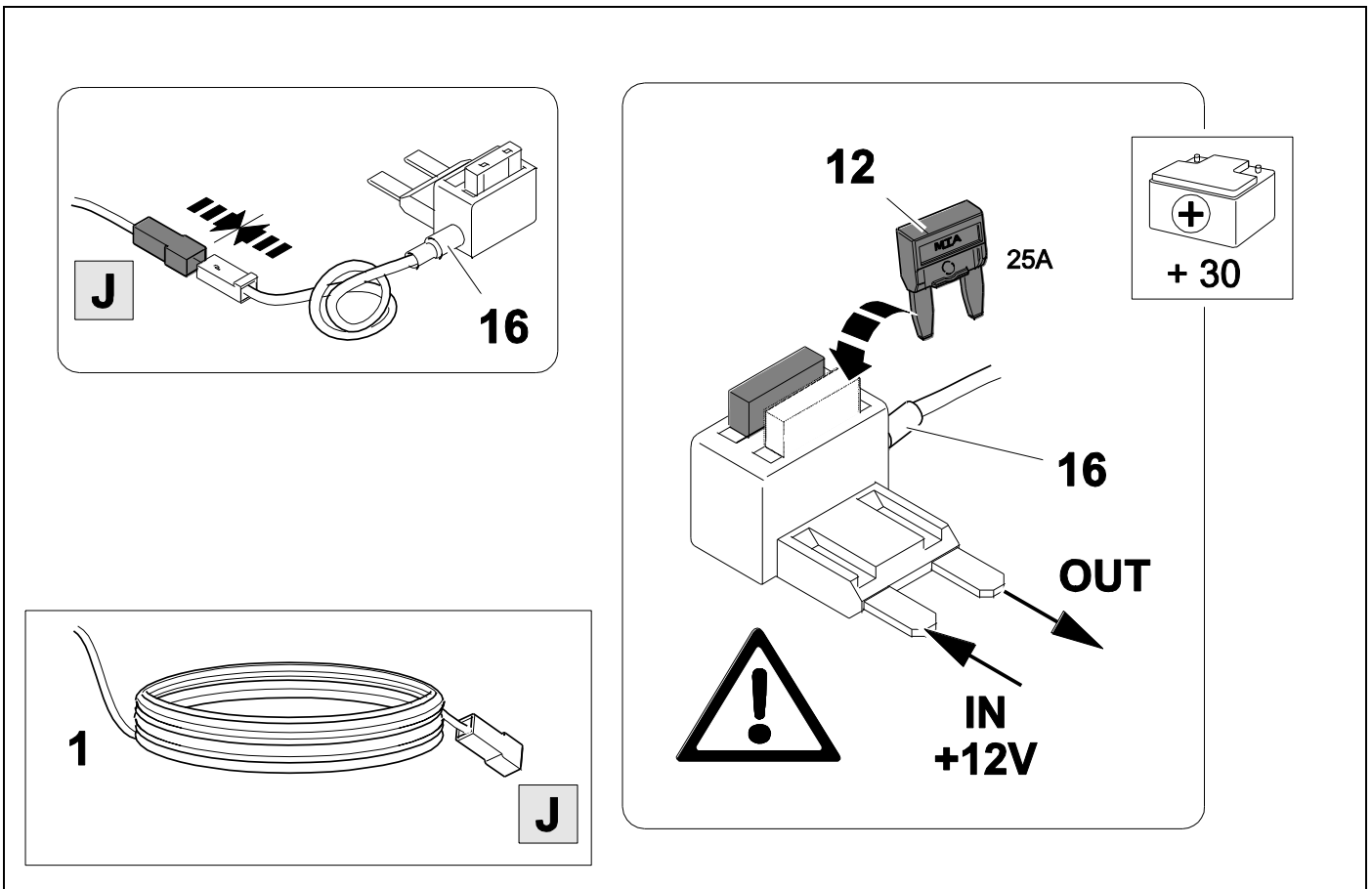
26

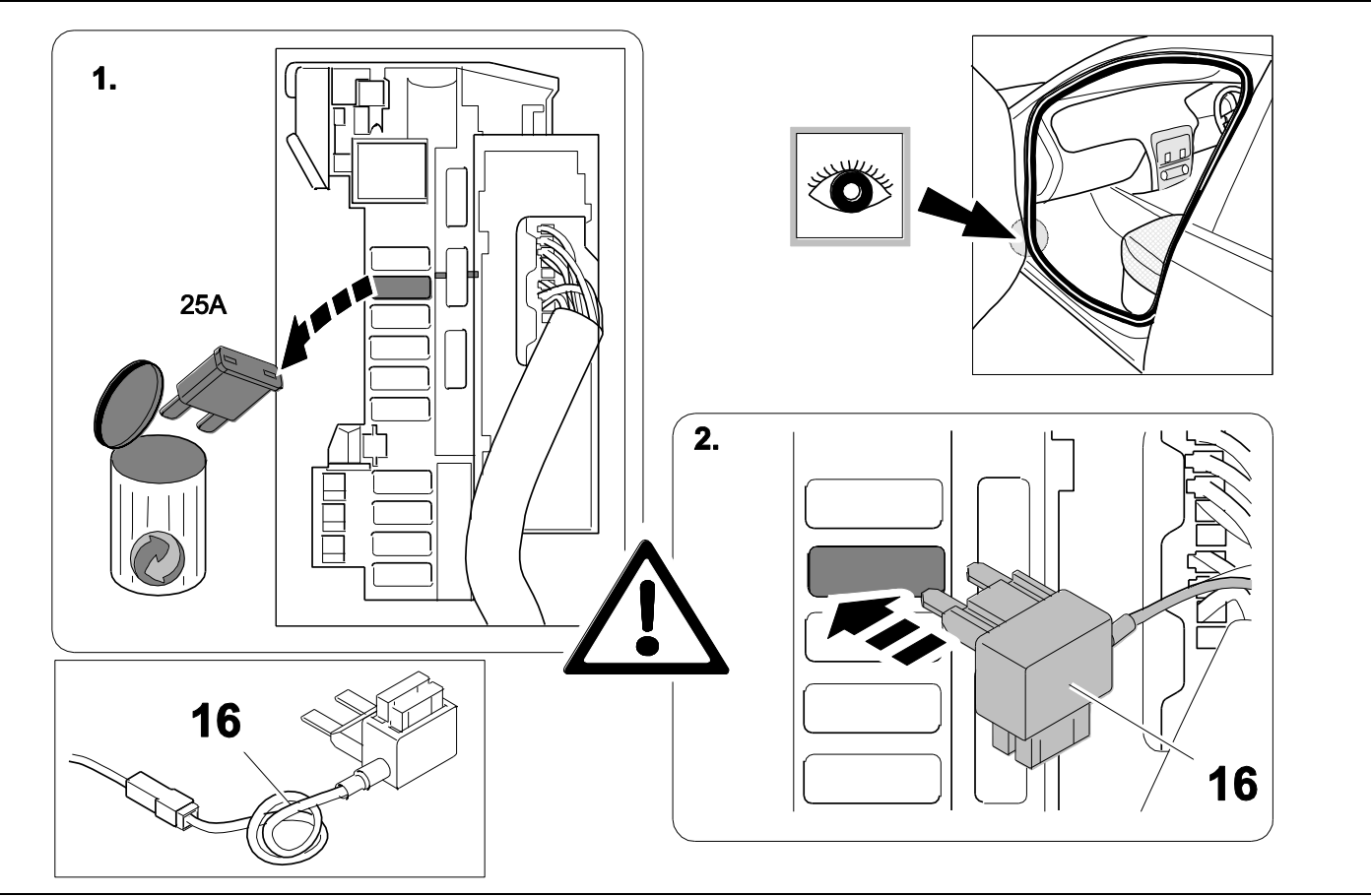


27



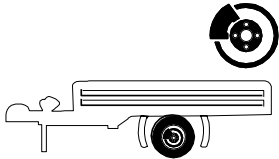
28



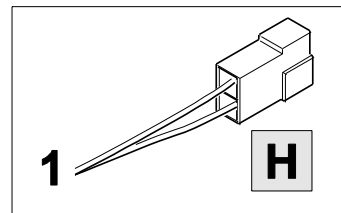




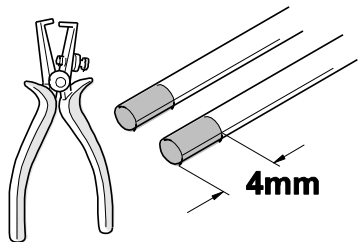
**BRAKE
CONTROLLER
PREPARED**



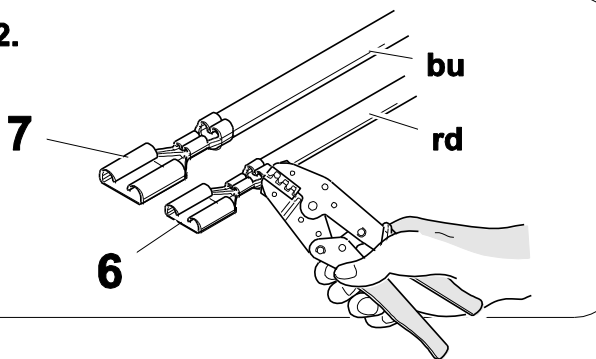
Trailer Brake Preparation



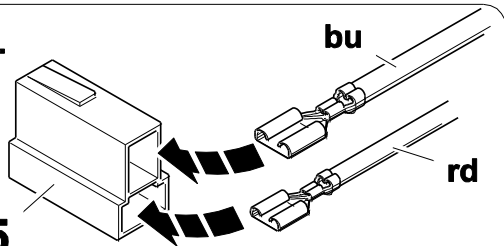
1.



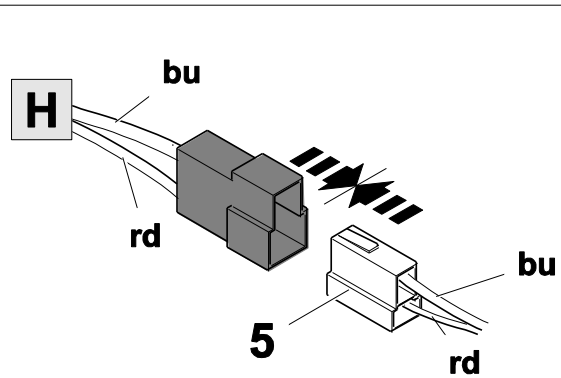
2.



3.



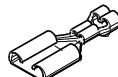
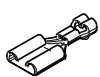
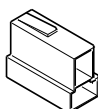
4.



5

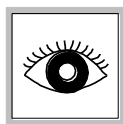
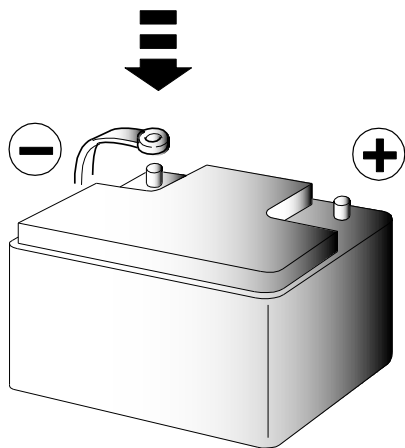
6

7



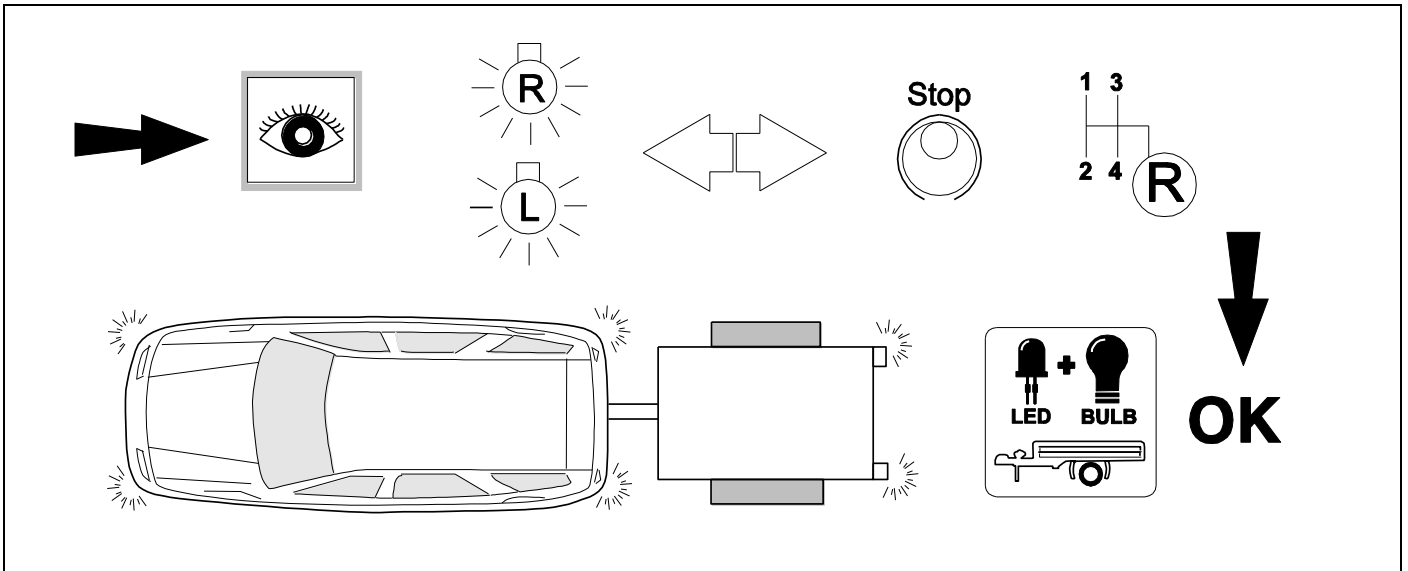
APPROVED, TESTED AND CERTIFIED TO BE USED WITH THE SPECTRUM BRAKE CONTROLLER.

USE OUR BRAKE CONTROLLER CONNECTION HARNESS 529008EJ



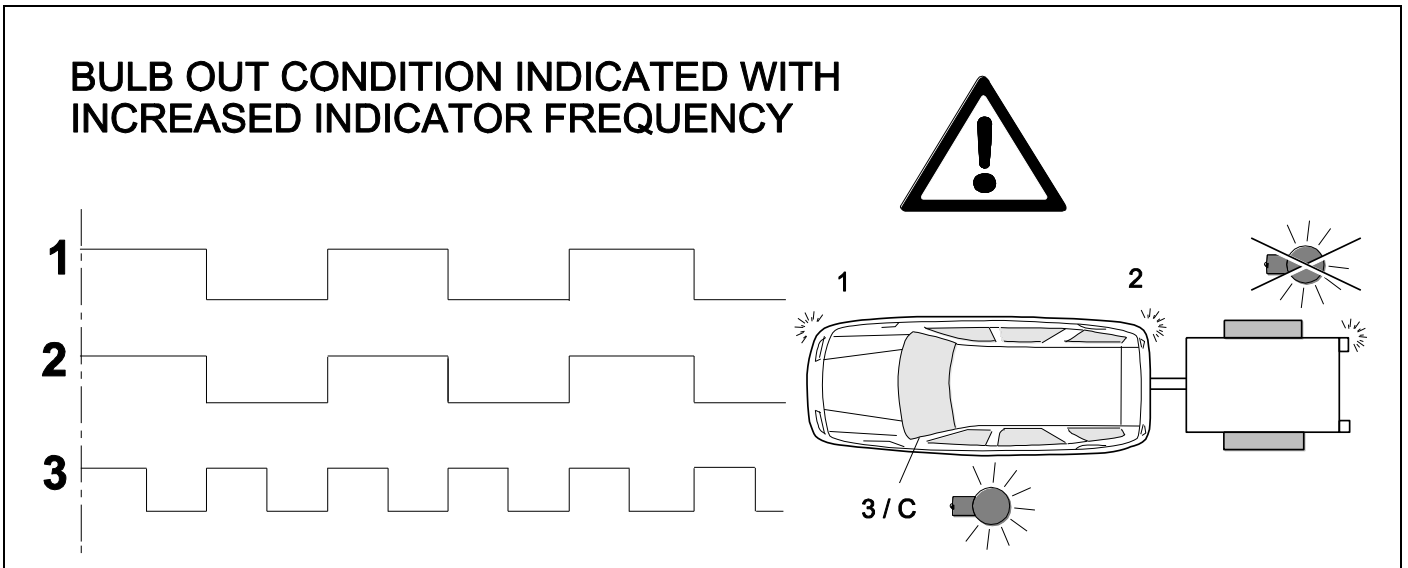
32

CHECK ALL LIGHTING FUNCTIONS



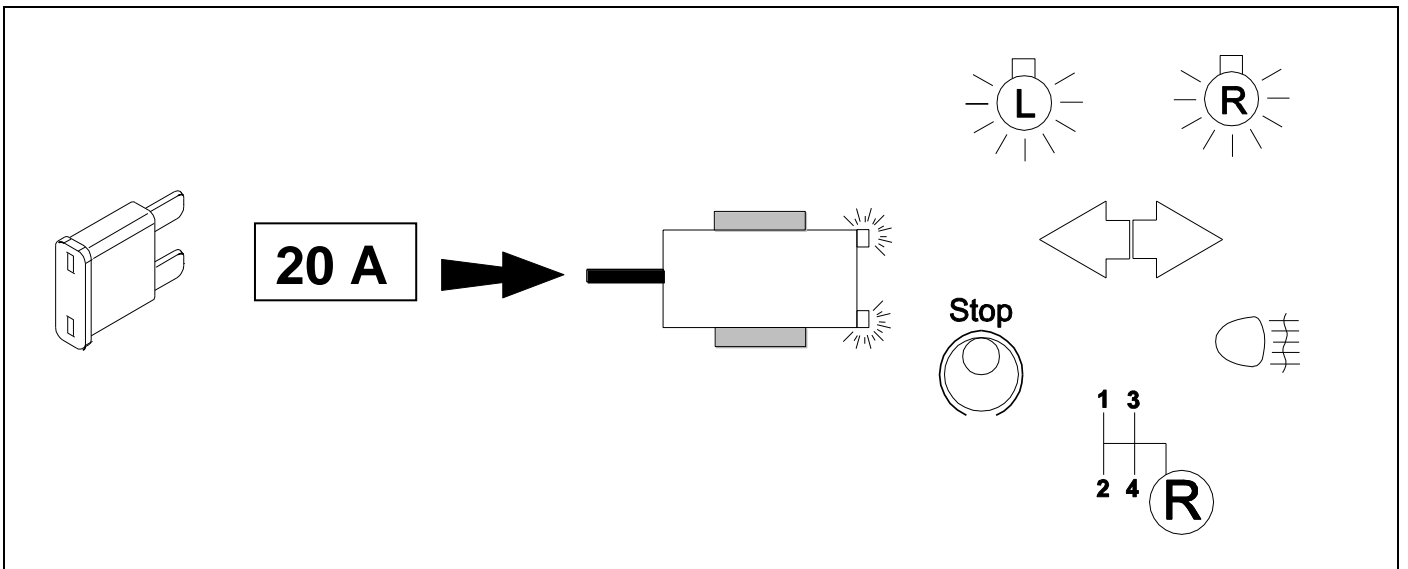
33

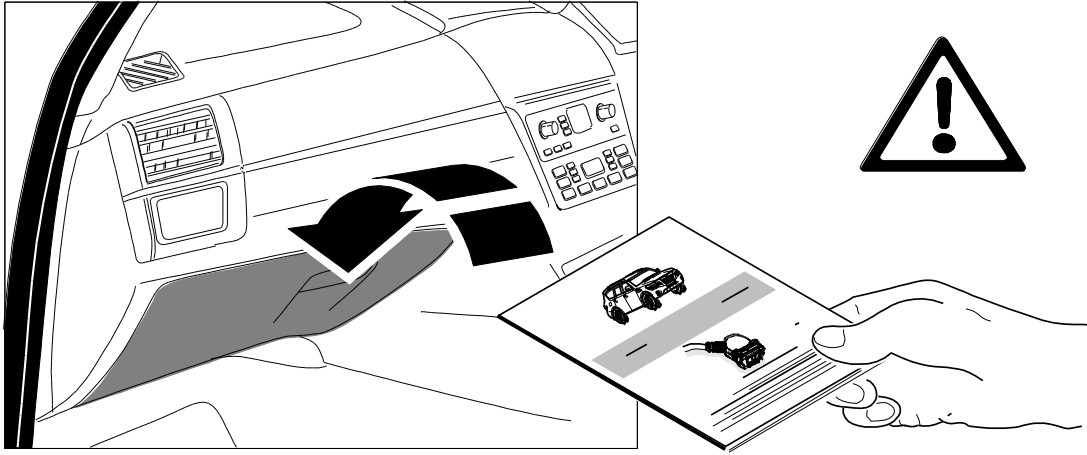
CHECK BULB OUT DETECTION



34

⇒ 29





Subject to change in terms of construction, equipment and colour, and may contain errors.
The information and illustrations are non-binding.