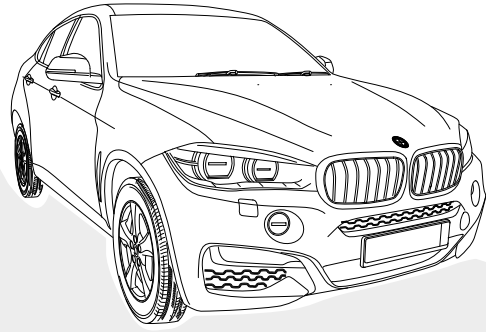
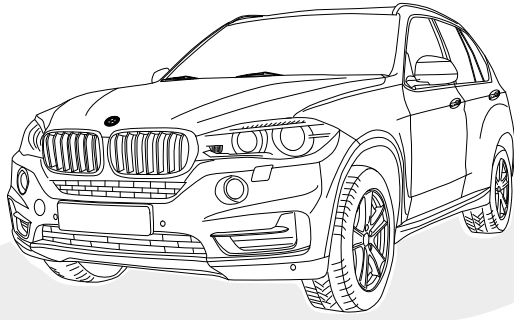




ERICH JAEGER

# Installation instructions



## 750009

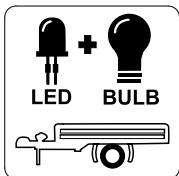
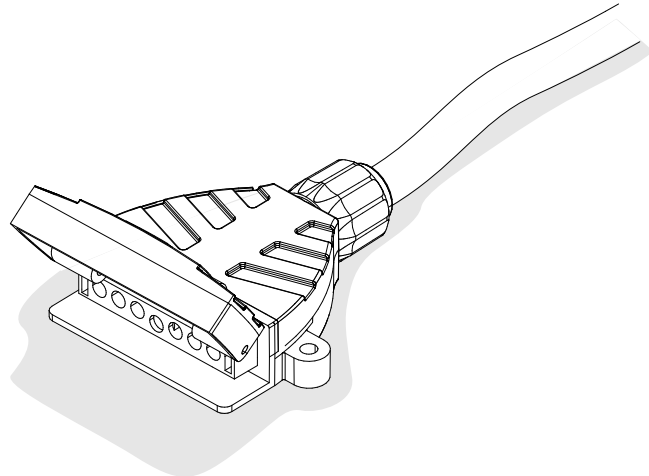
**BMW X5 F15**

**11/13 >>**

**BMW X6 F16**

**12/14 >>**

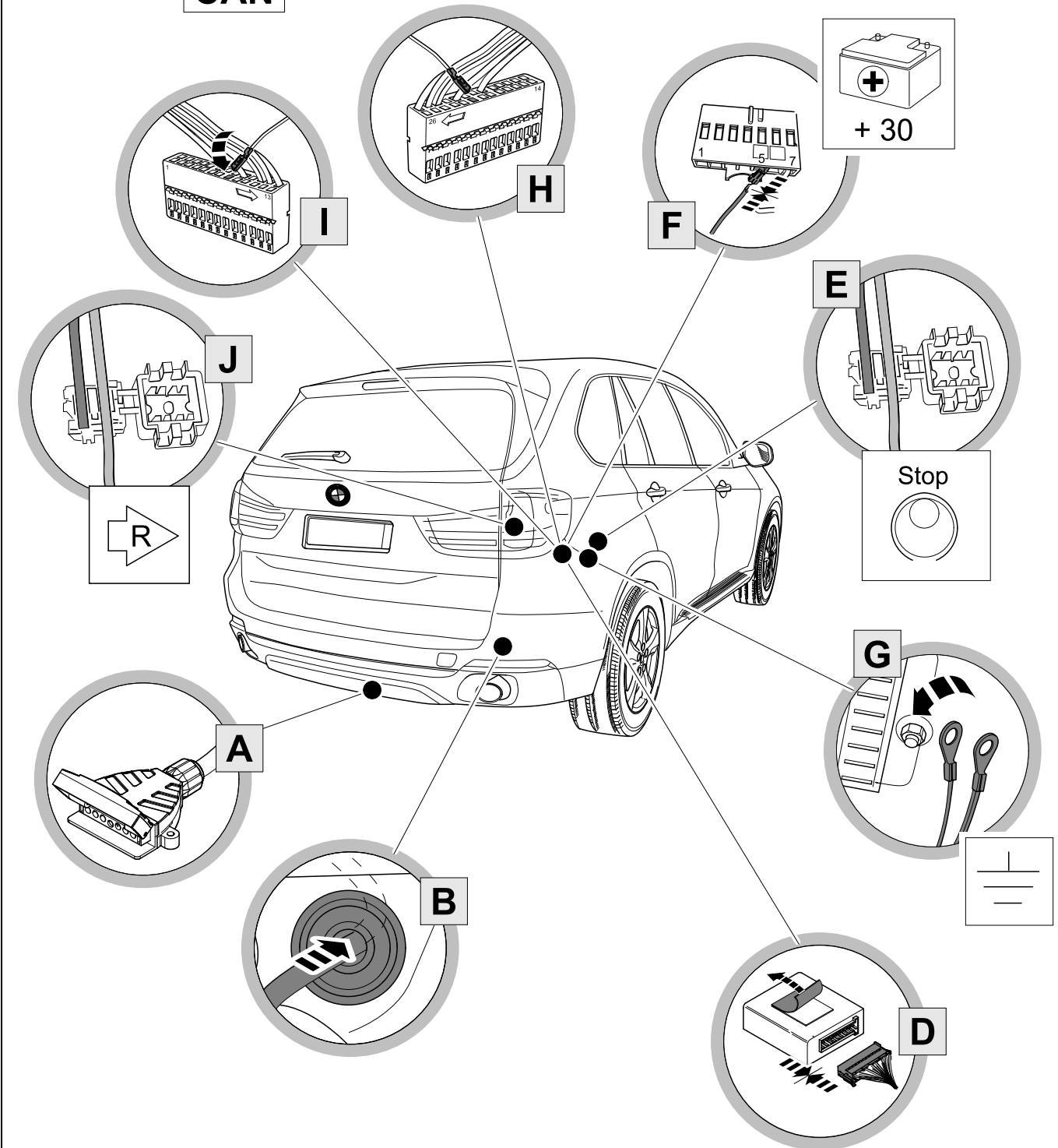
Scan this for our full E-Kit catalogue



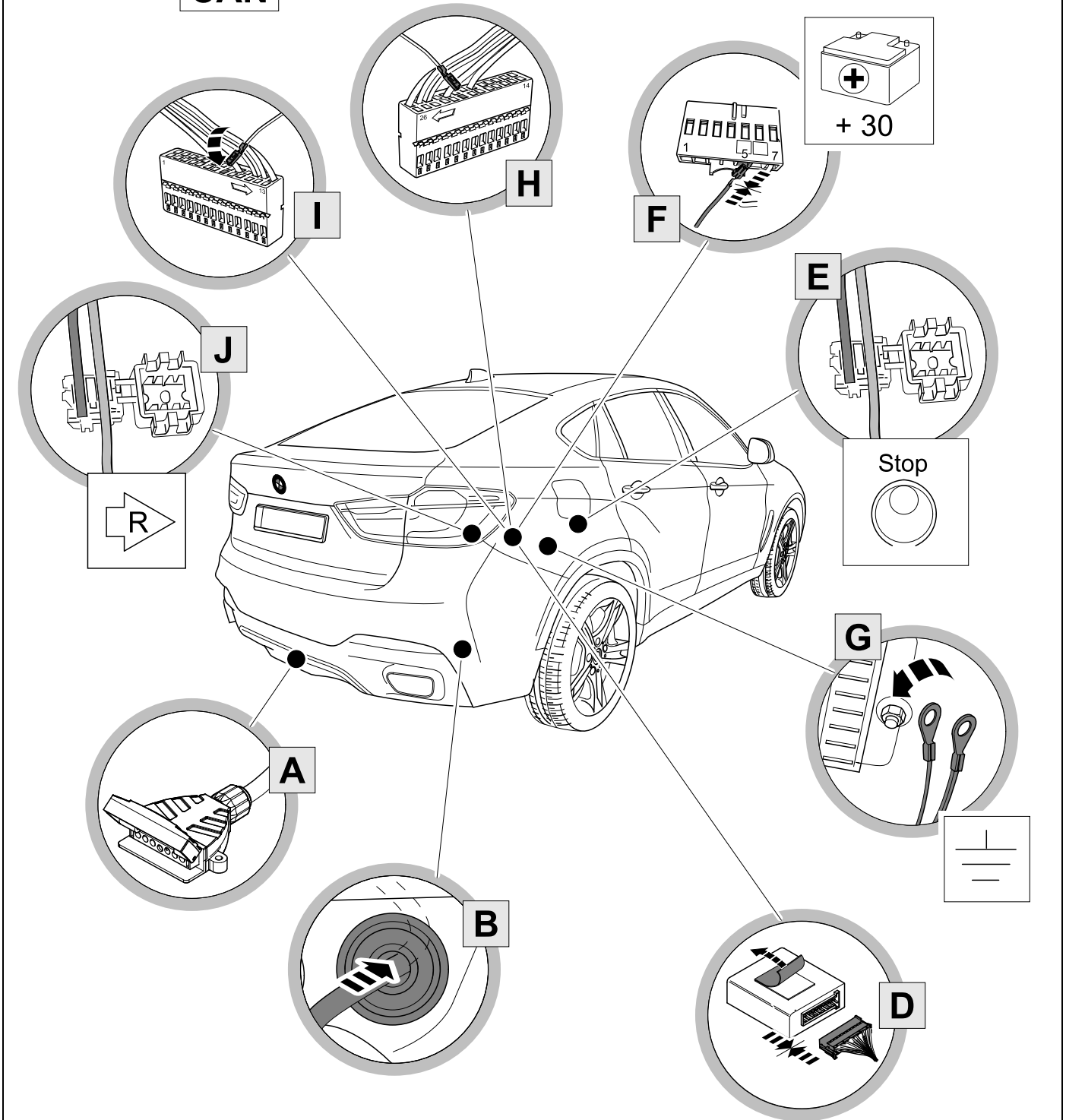
### Reference:

The following information must be reviewed before beginning the assembly:  
 The installation instructions are to be thoroughly read.  
 The installation should be carried out by qualified personnel with the relevant technical knowledge.  
 The vehicle manufacturers' current technical notices and information on retrofitting must be followed.  
 The removal and replacement instructions found in the current repair manuals must be followed.  
 It must be ensured that the vehicle is technically suitable for the installation of a trailer hitch.

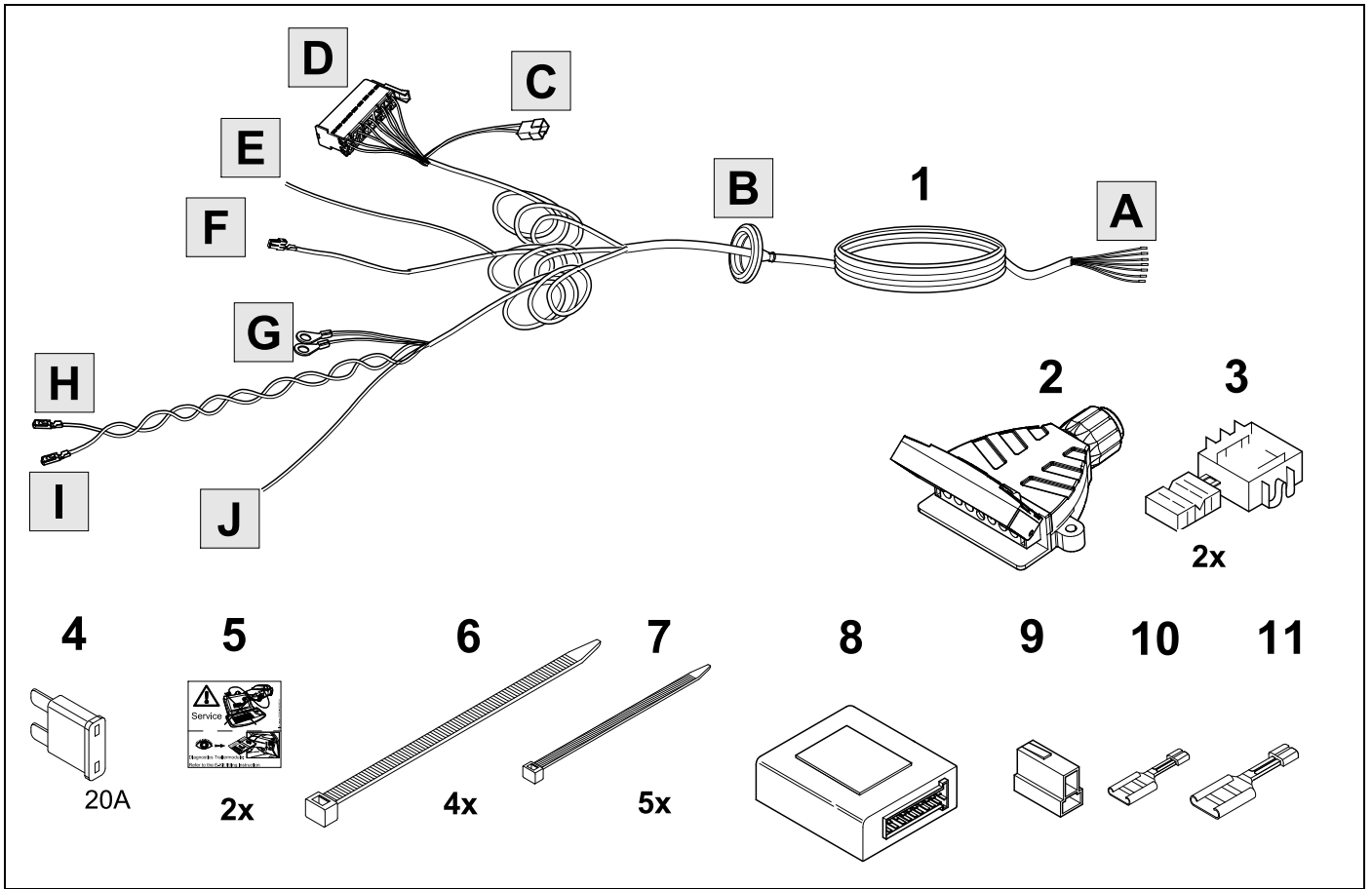
CAN



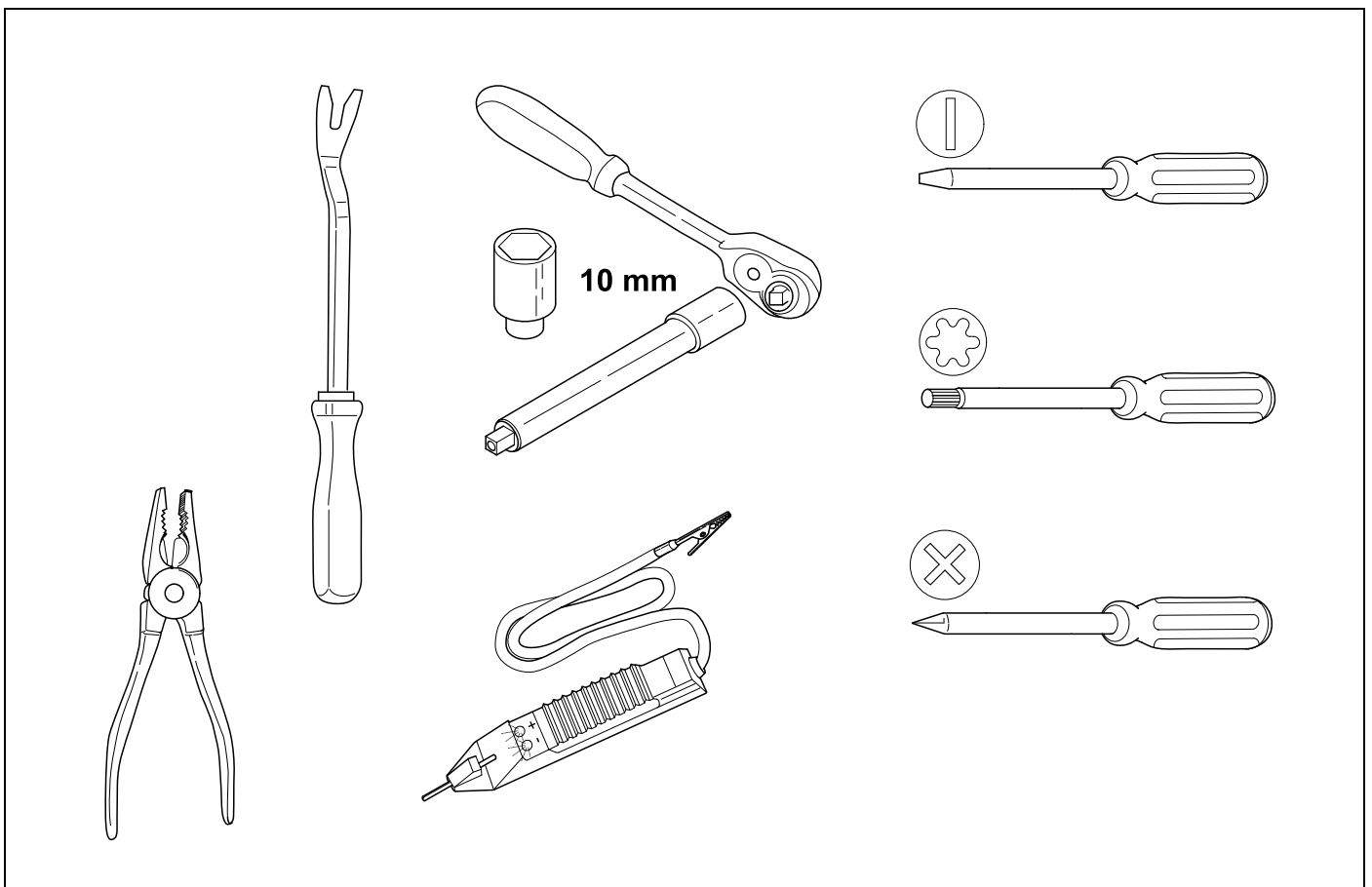
CAN



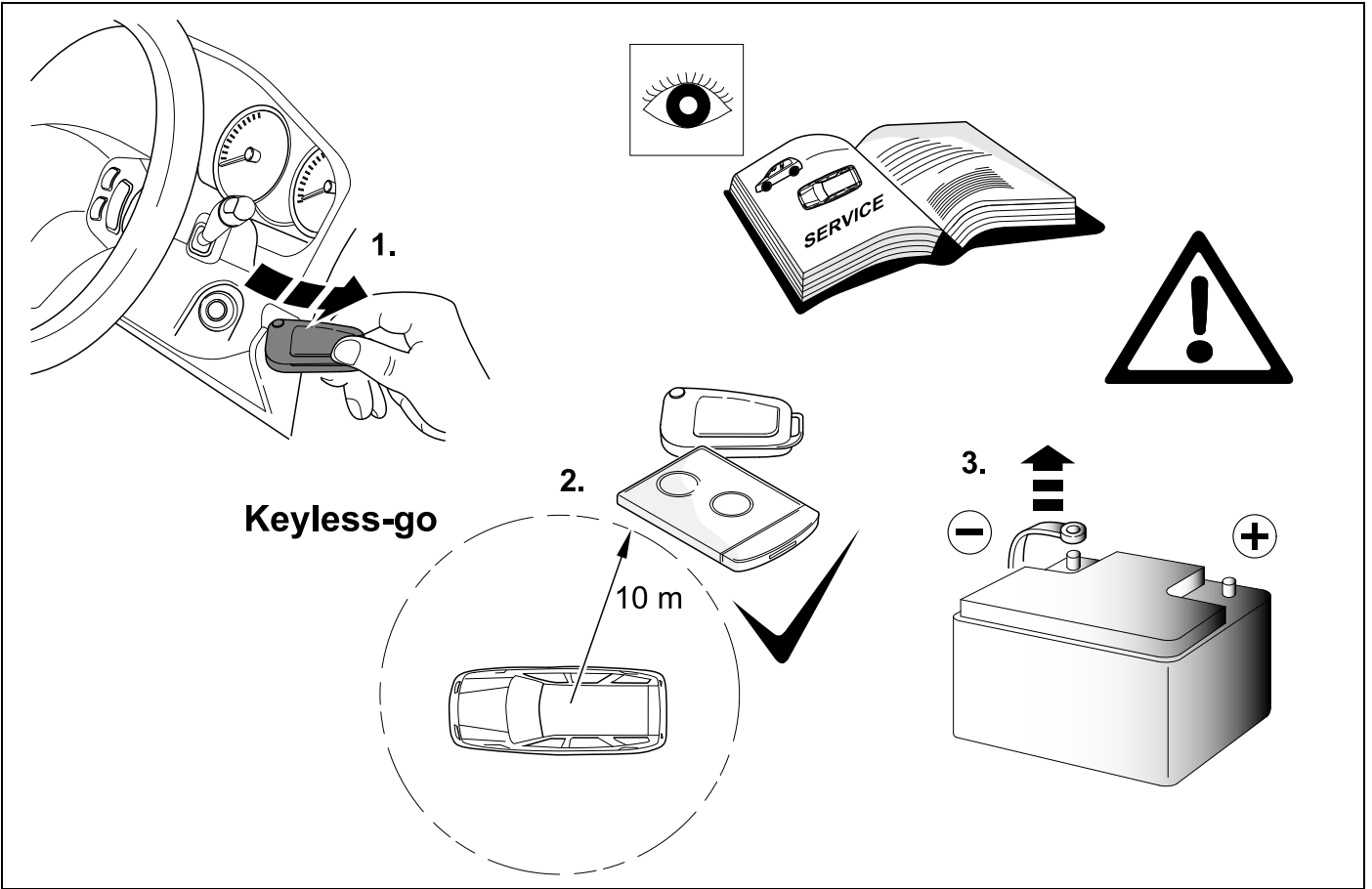
# KIT



# TOOLS

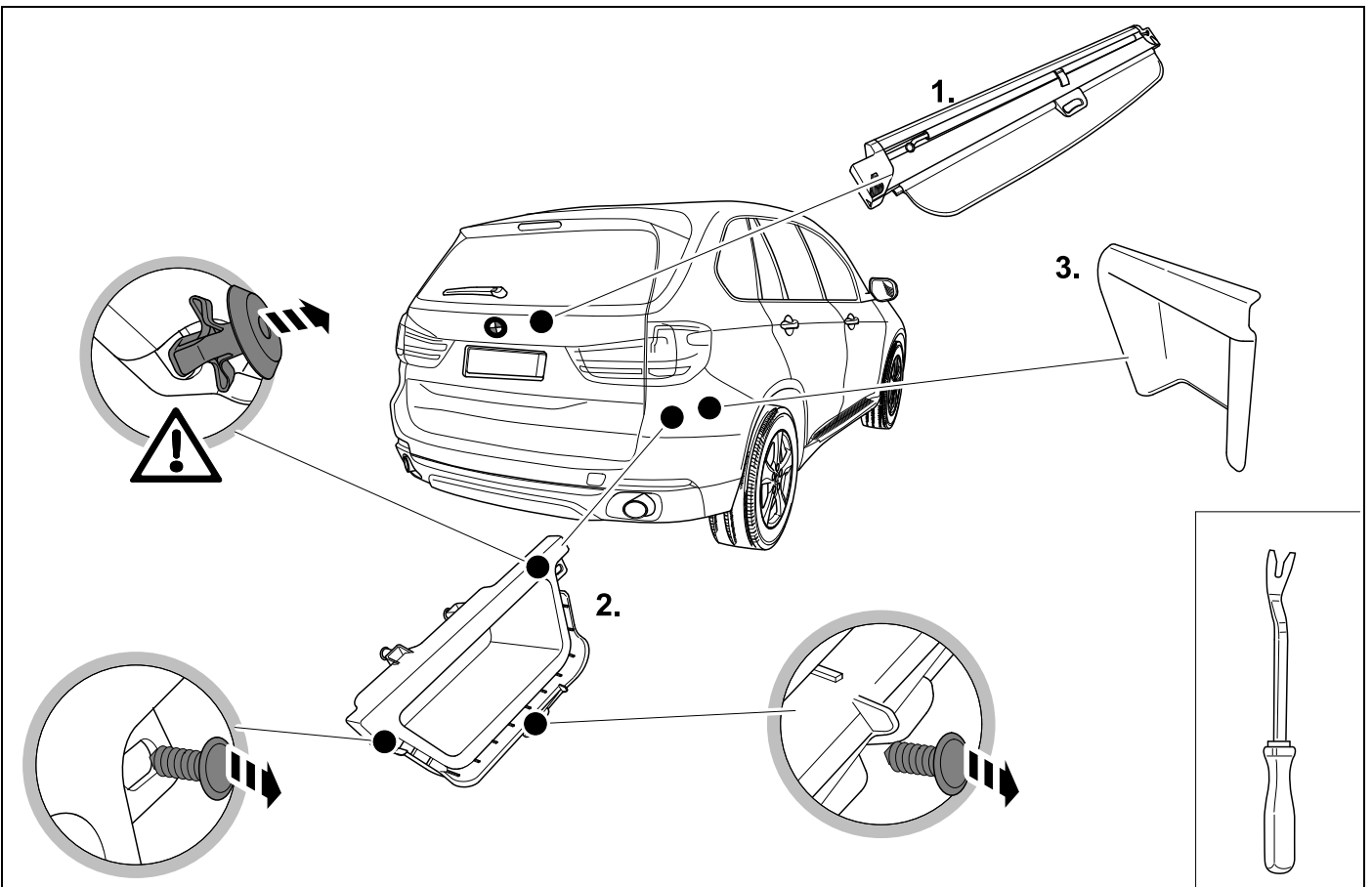


1



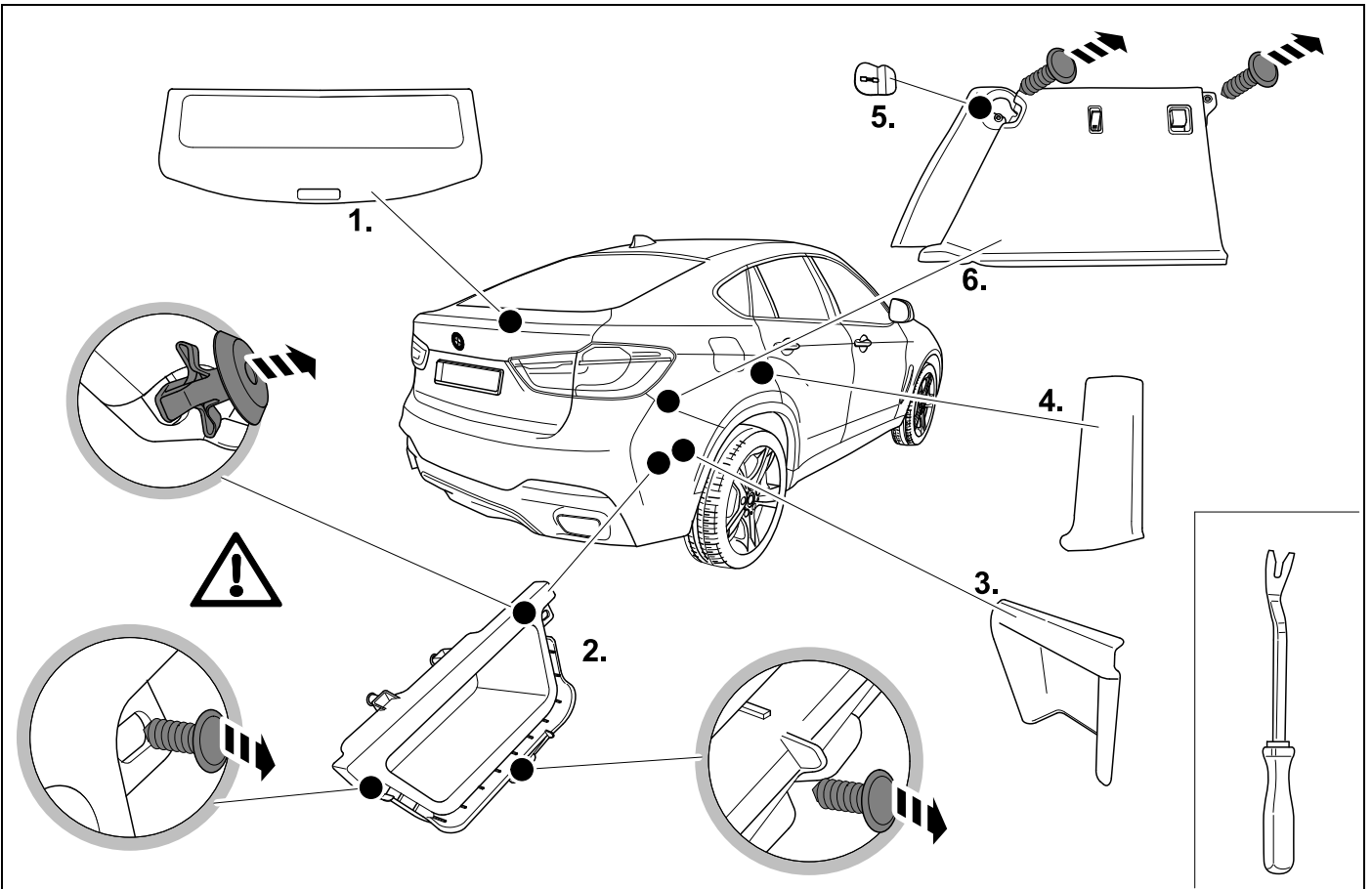
2

X5

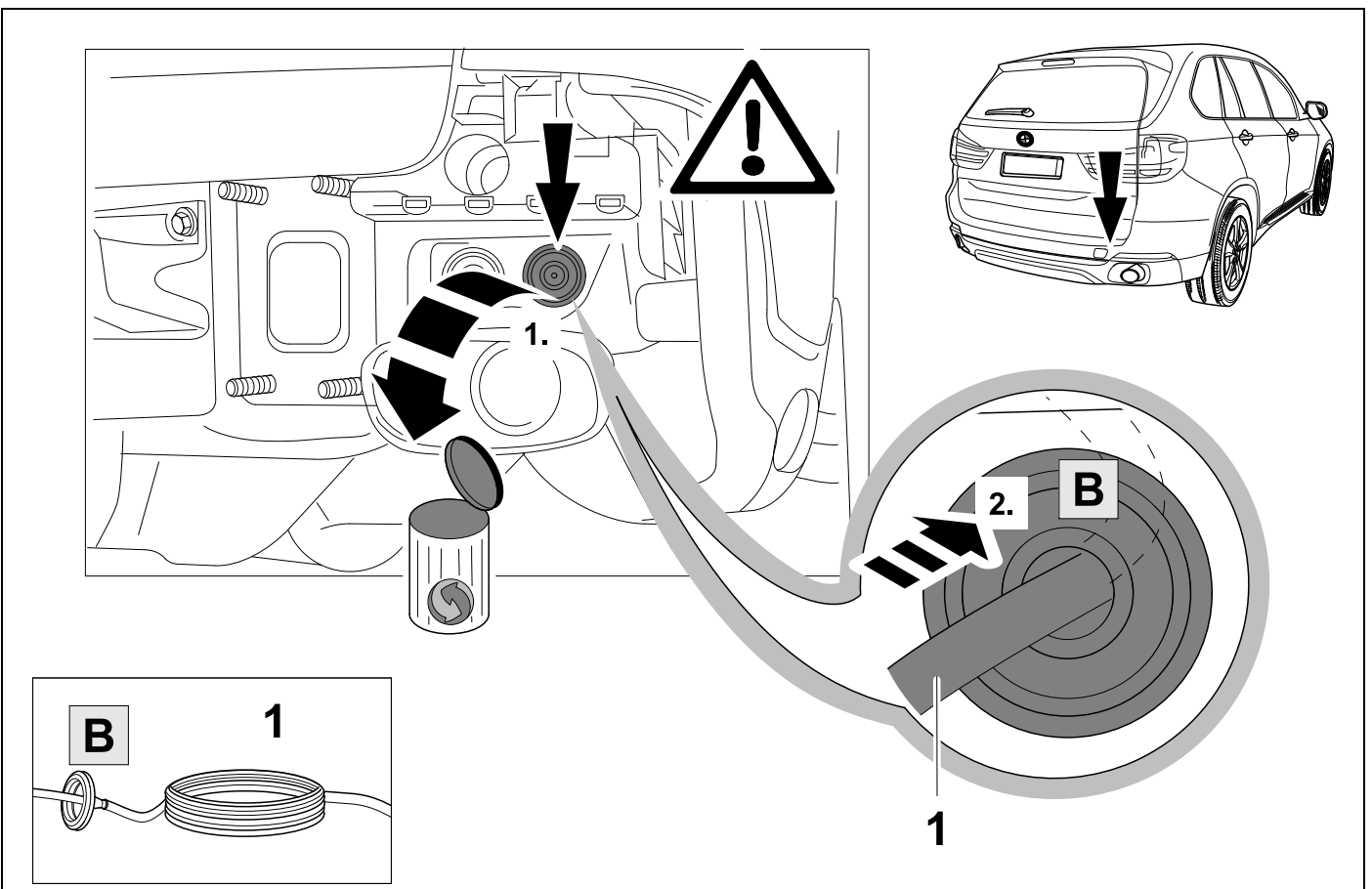


3

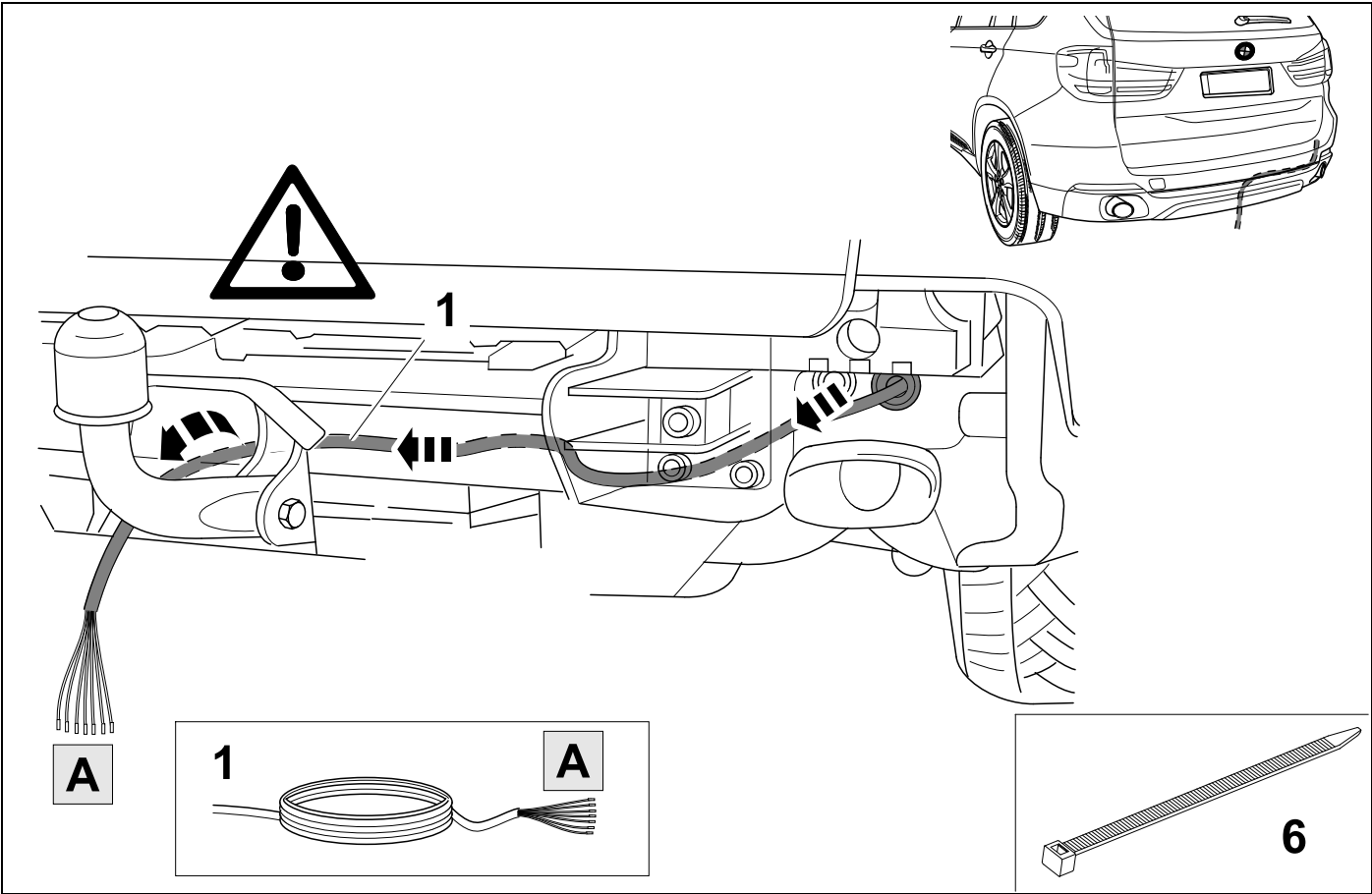
X6



4



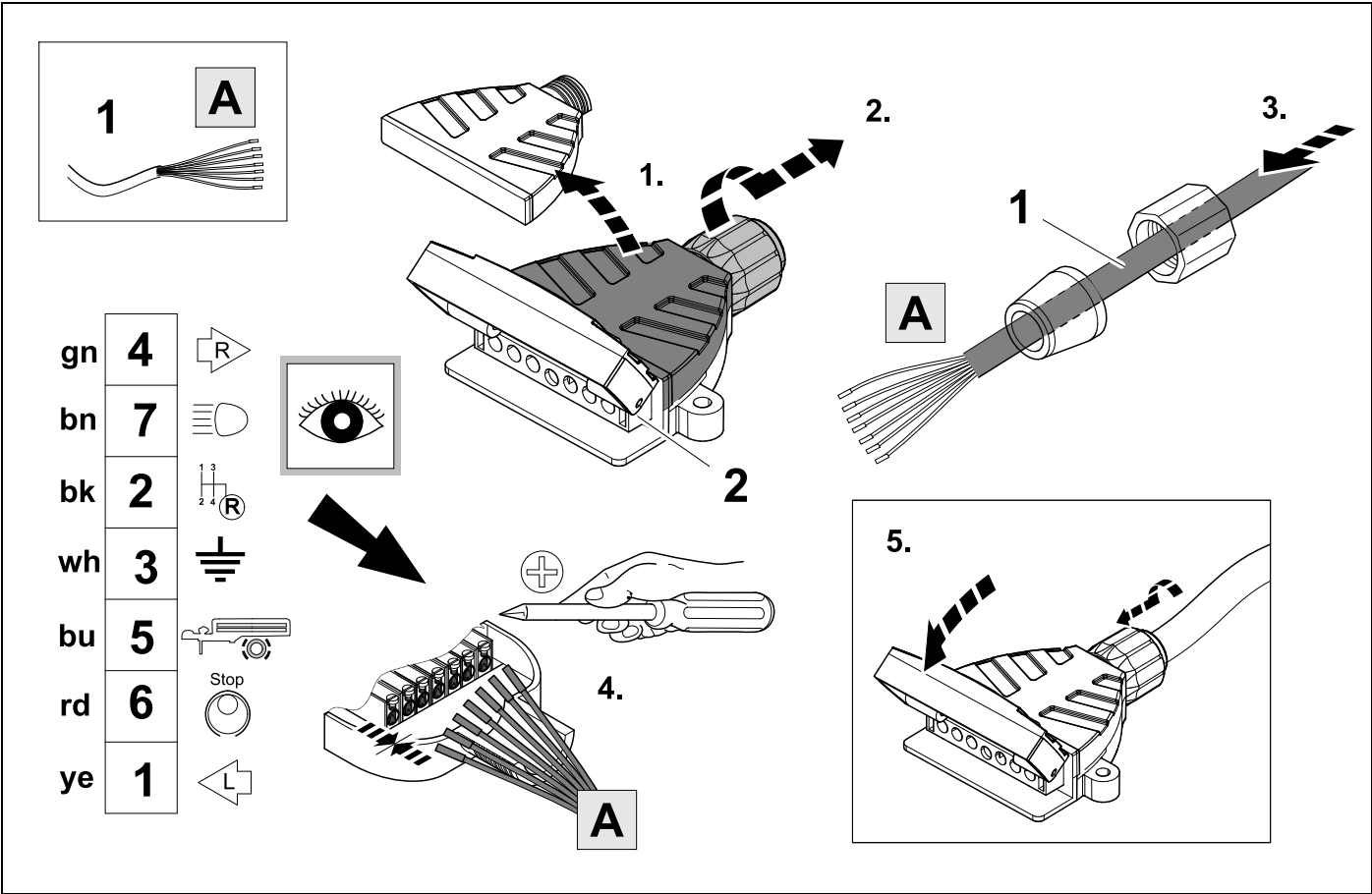
5



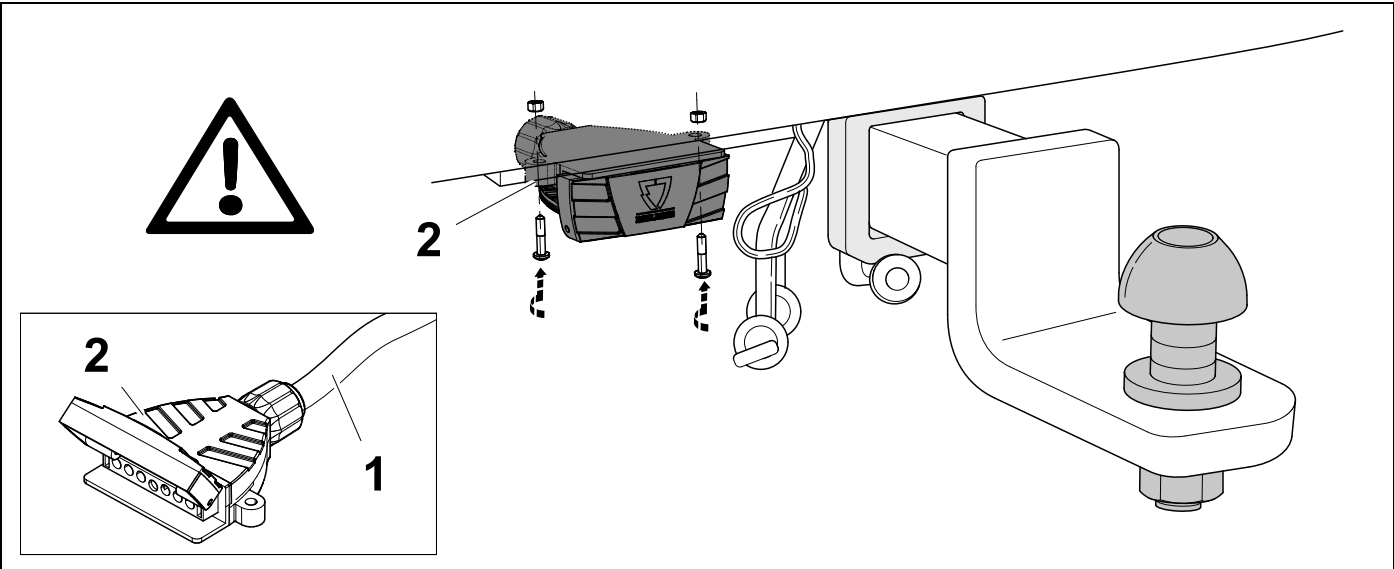
6



8



7



8



9

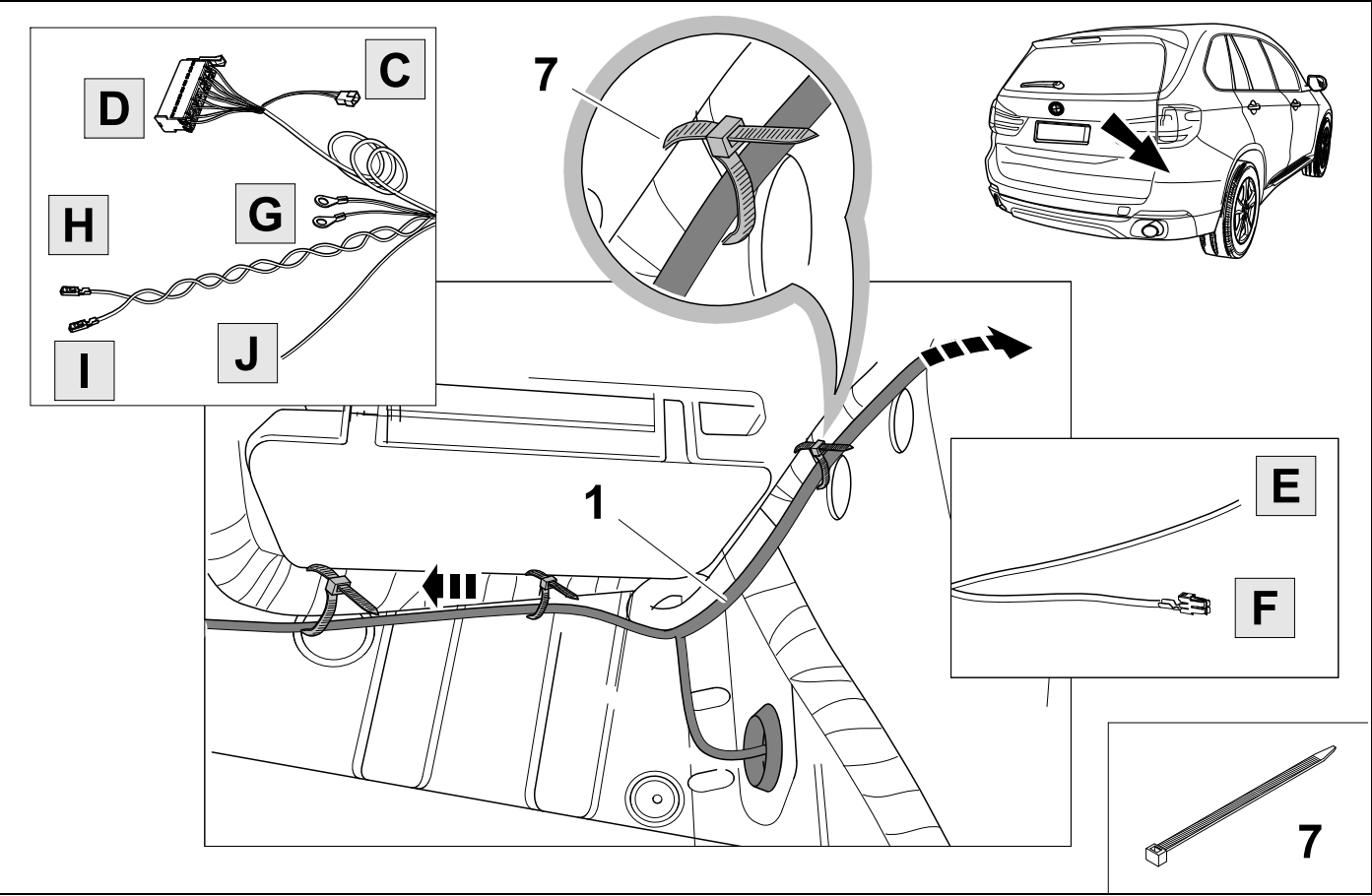
1	ye	
2	bk	
3	wh	
4	gn	
5	bu	
6	rd	
7	bn	

9	bk	wh	gy	gn	rd	bu	ye	bn	pu	or	no
---	----	----	----	----	----	----	----	----	----	----	----

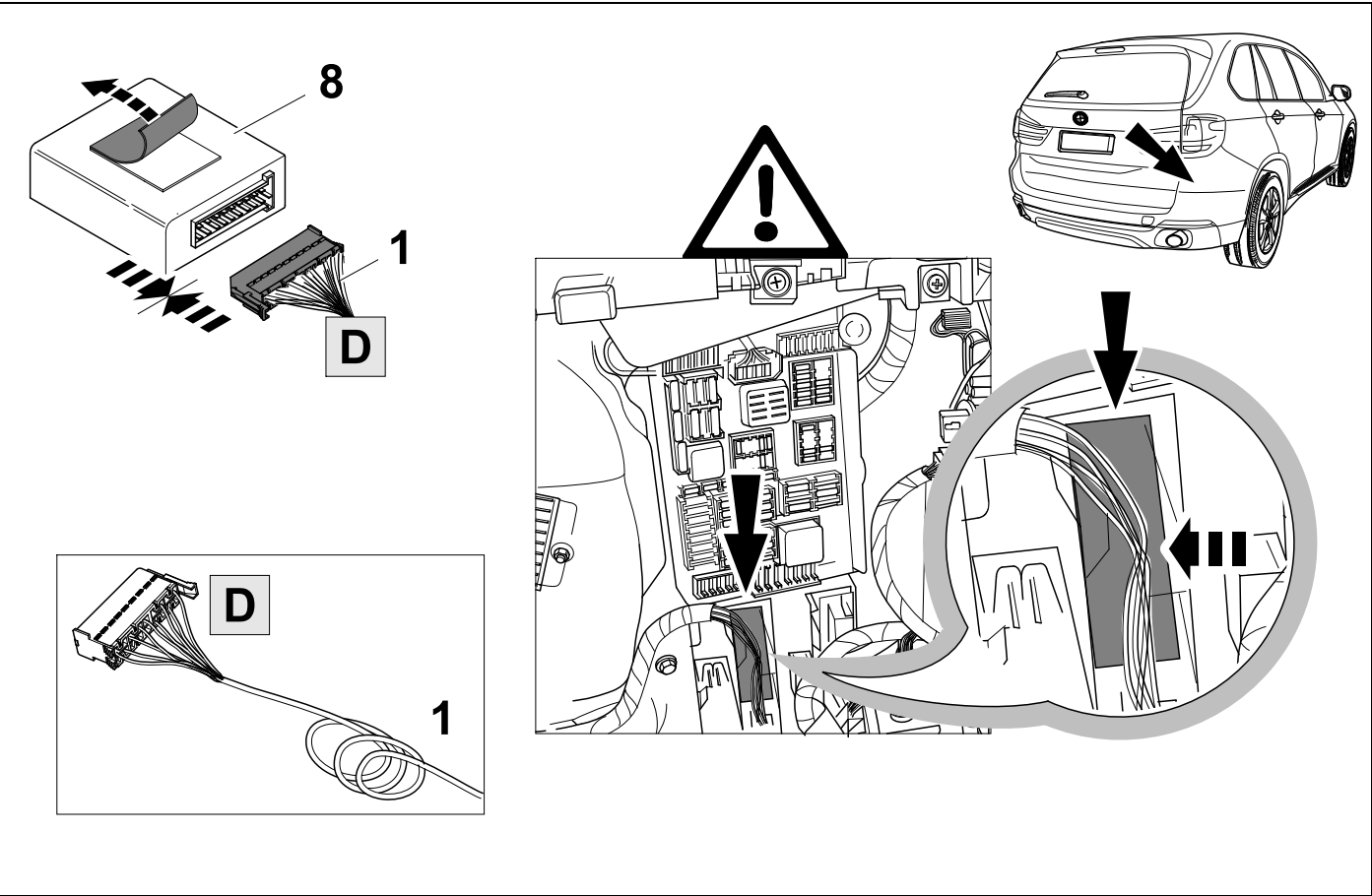
	black	white	grey	green	red	blue	yellow	brown	purple	orange	not occupied
--	-------	-------	------	-------	-----	------	--------	-------	--------	--------	--------------



10



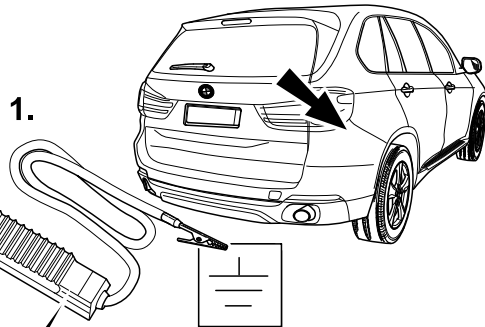
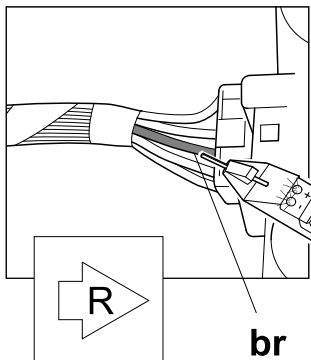
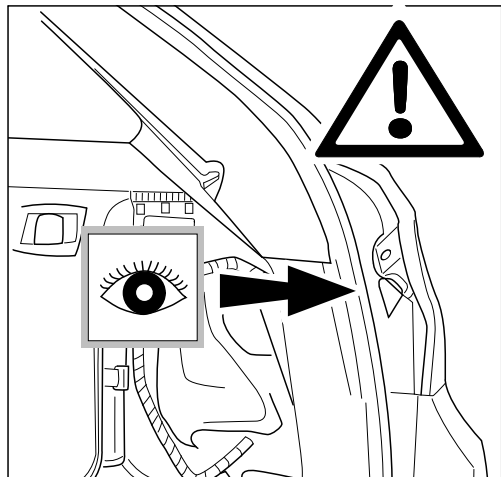
11



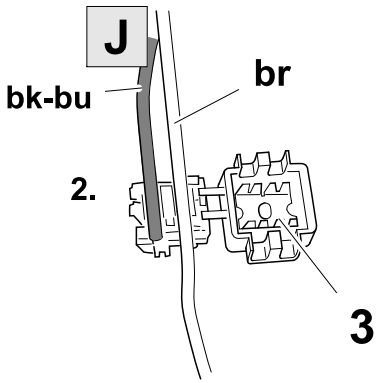
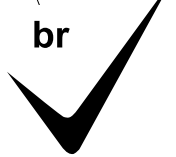
12



9



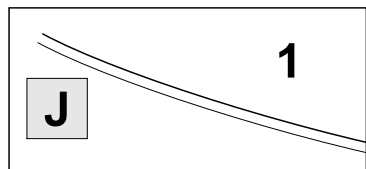
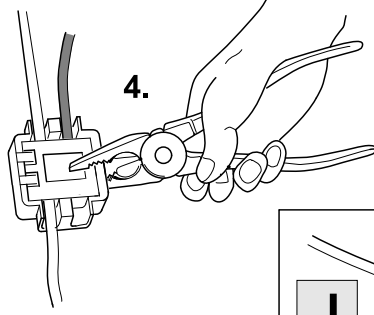
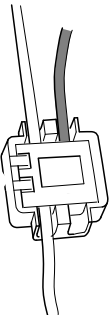
1.



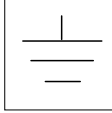
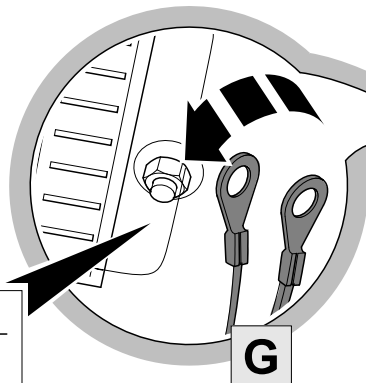
2.

OK

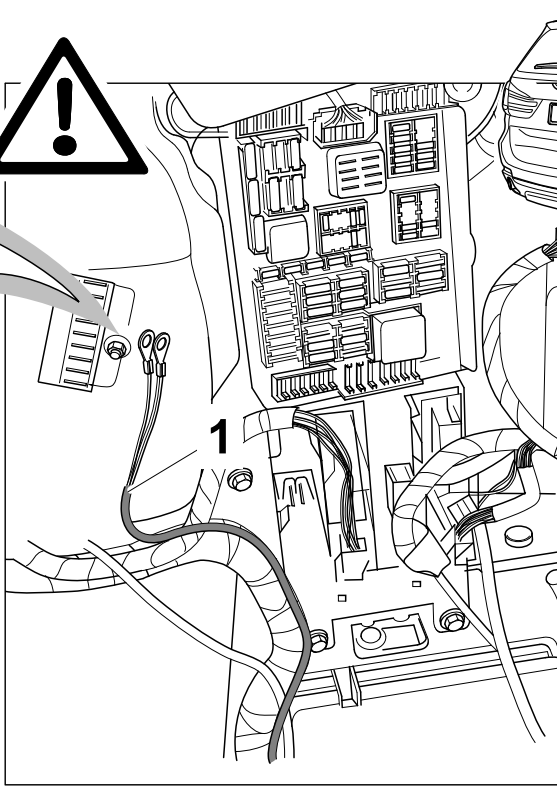
3. III →



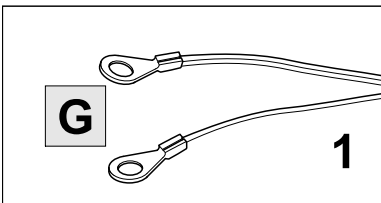
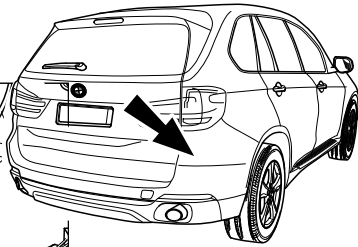
13



G

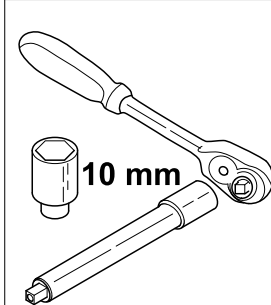


1



G

1



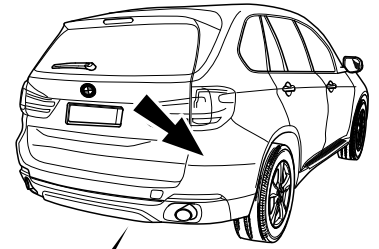
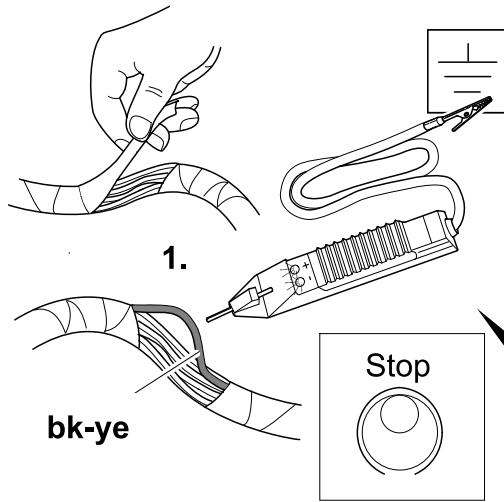
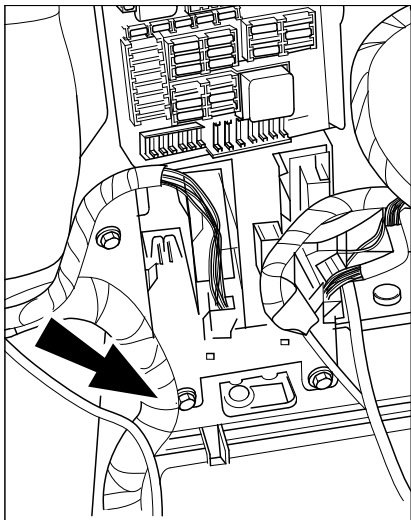
10 mm

14



9

X5



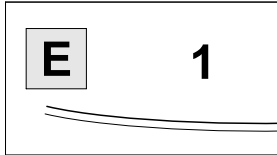
Use Volt Meter to check for brake signal as wire colors can vary between models.



**E** bk-ye bk-ye

**OK**

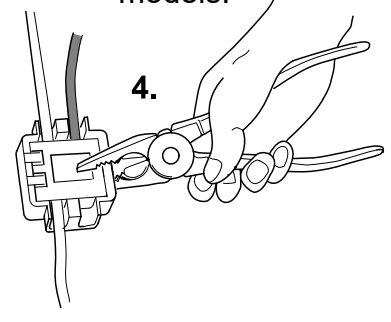
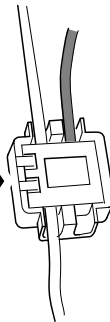
4.



2.

3.

3



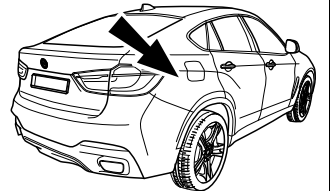
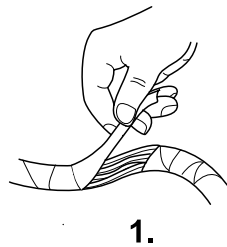
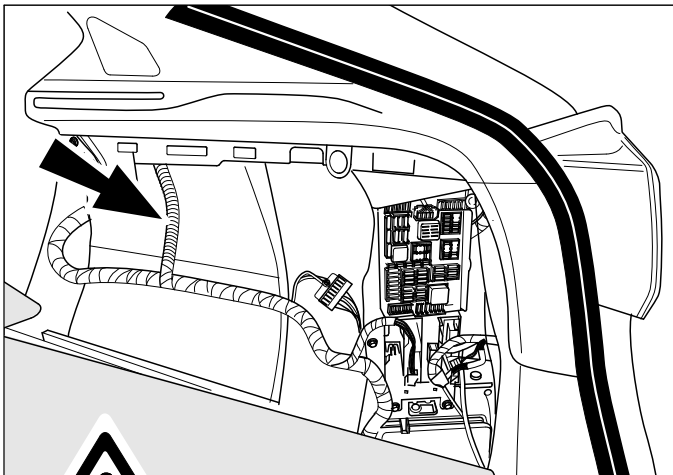
15

Use Volt Meter to check for brake signal as wire colors can vary between models.



9

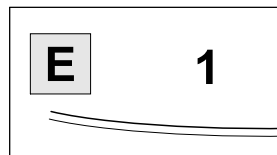
X6



**E** bk-ye bk-ye

**OK**

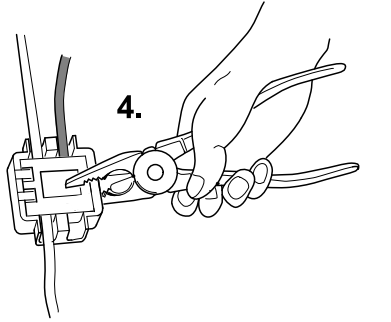
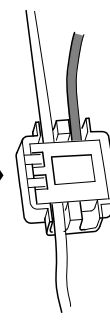
4.



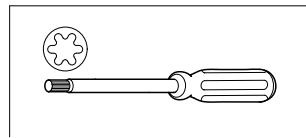
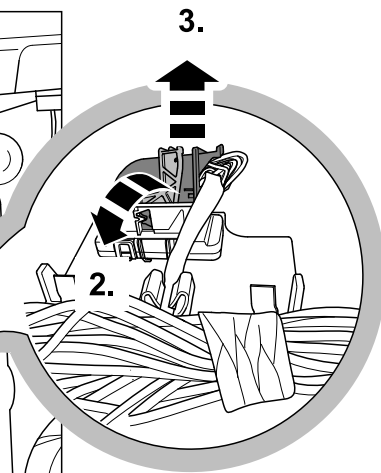
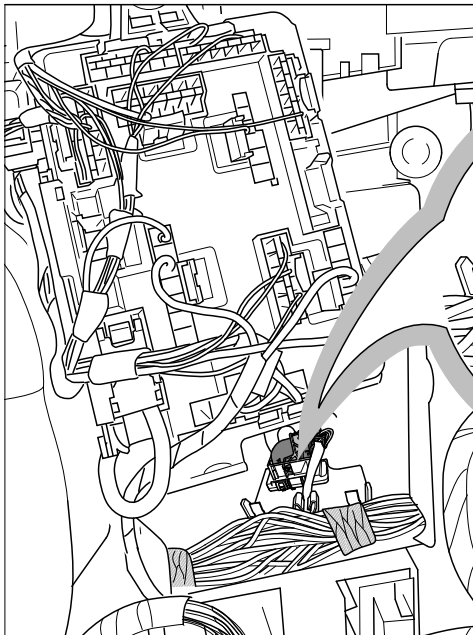
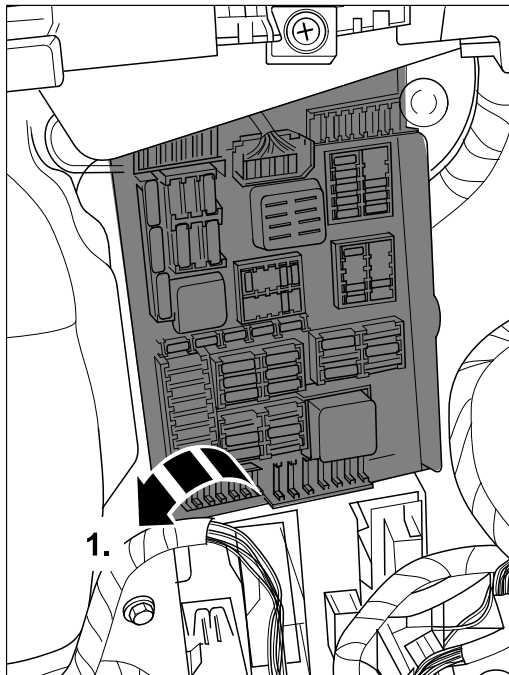
2.

3.

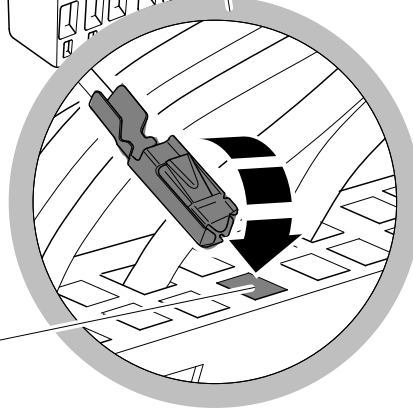
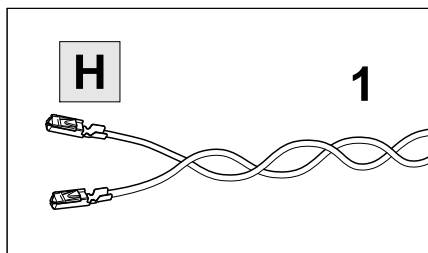
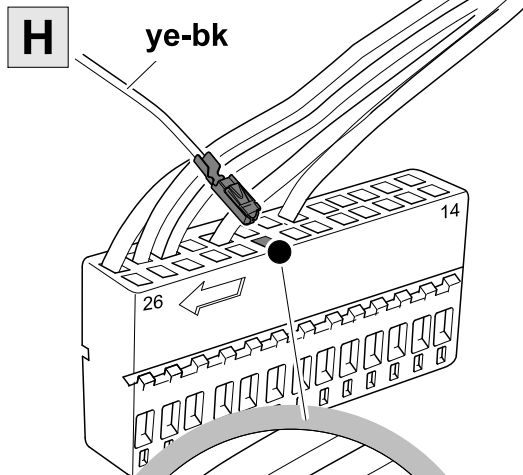
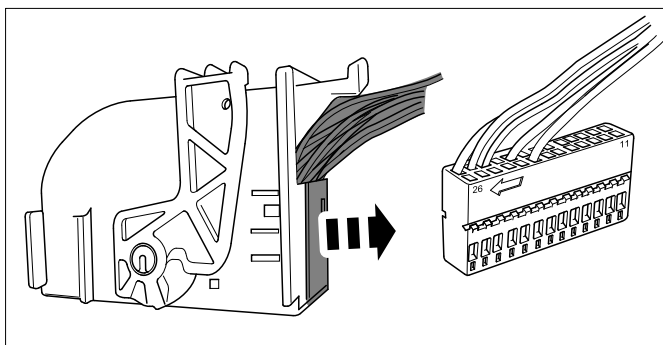
3



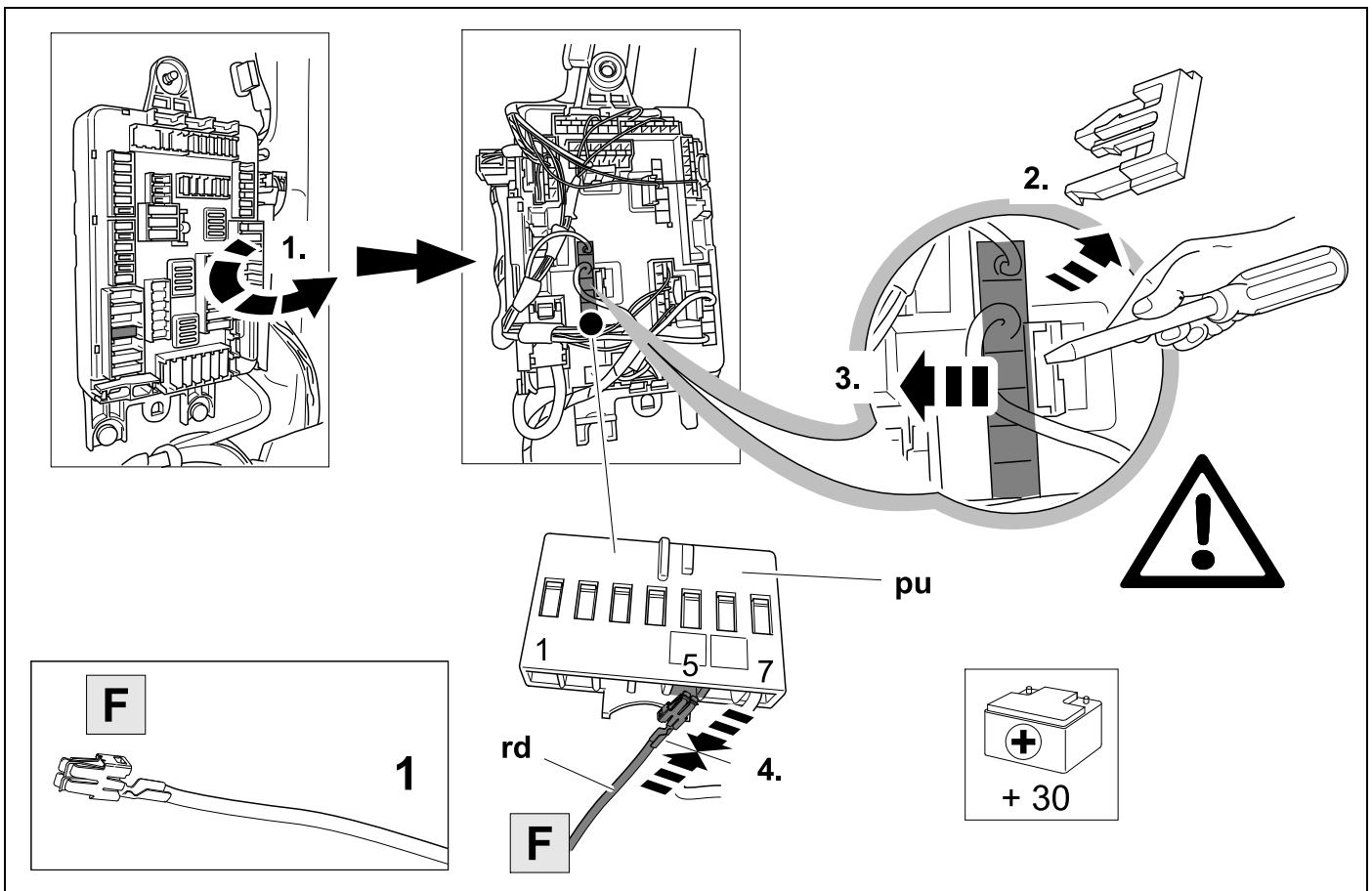
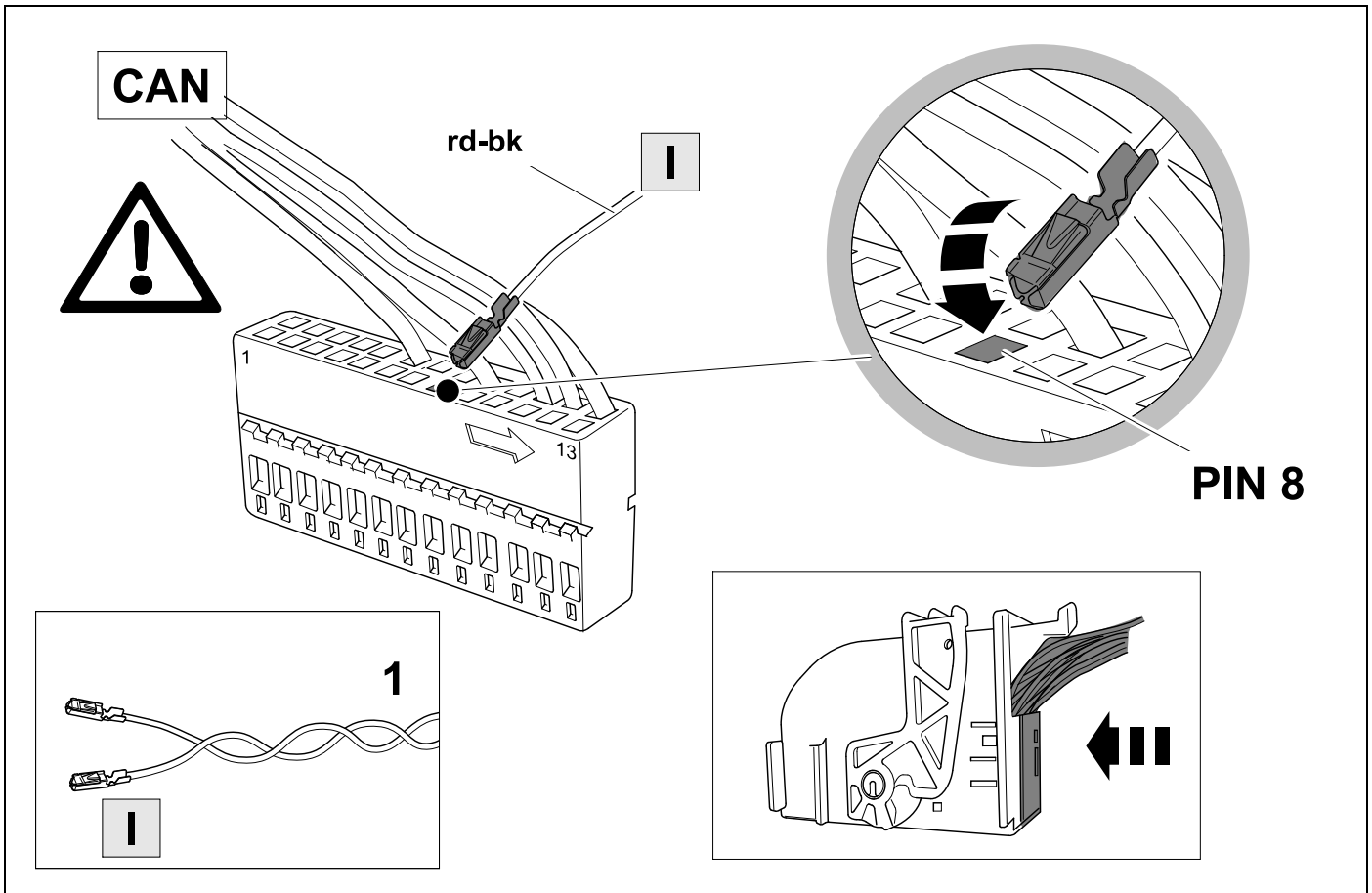
CAN

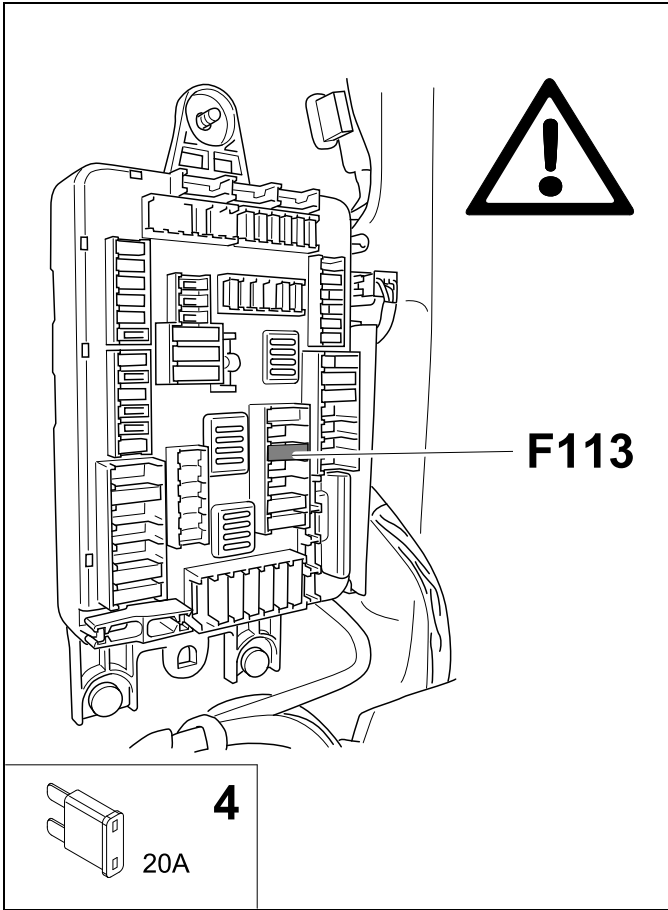


CAN

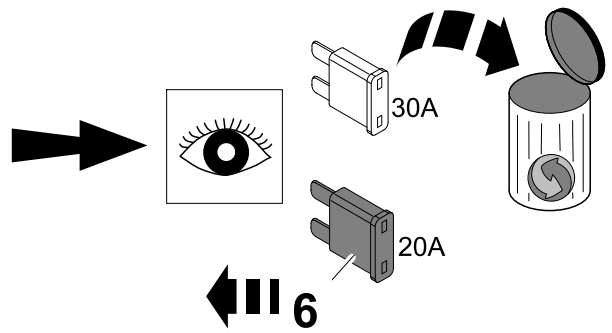


PIN 21

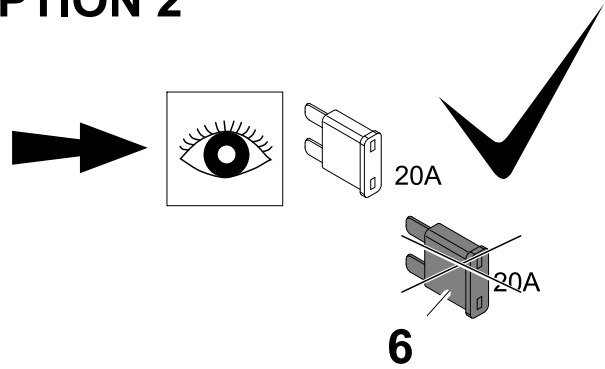




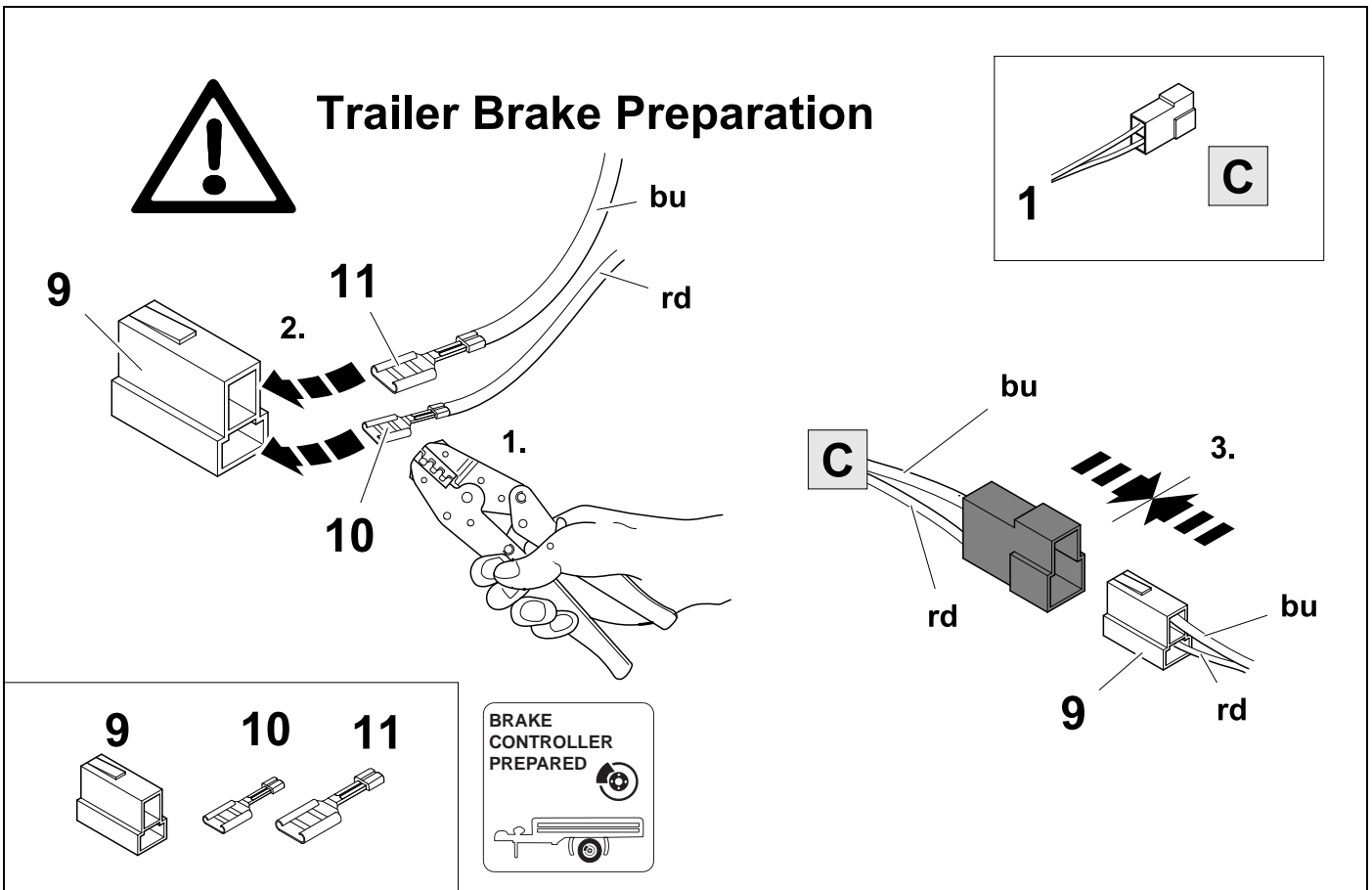
**OPTION 1**



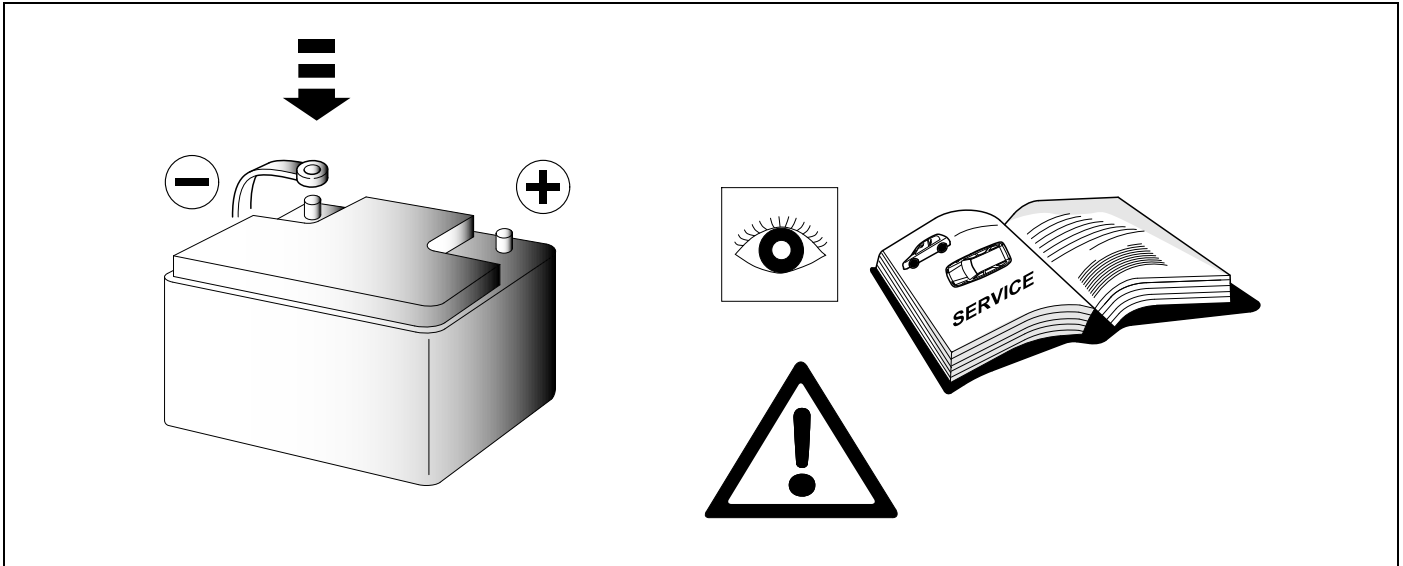
**OPTION 2**



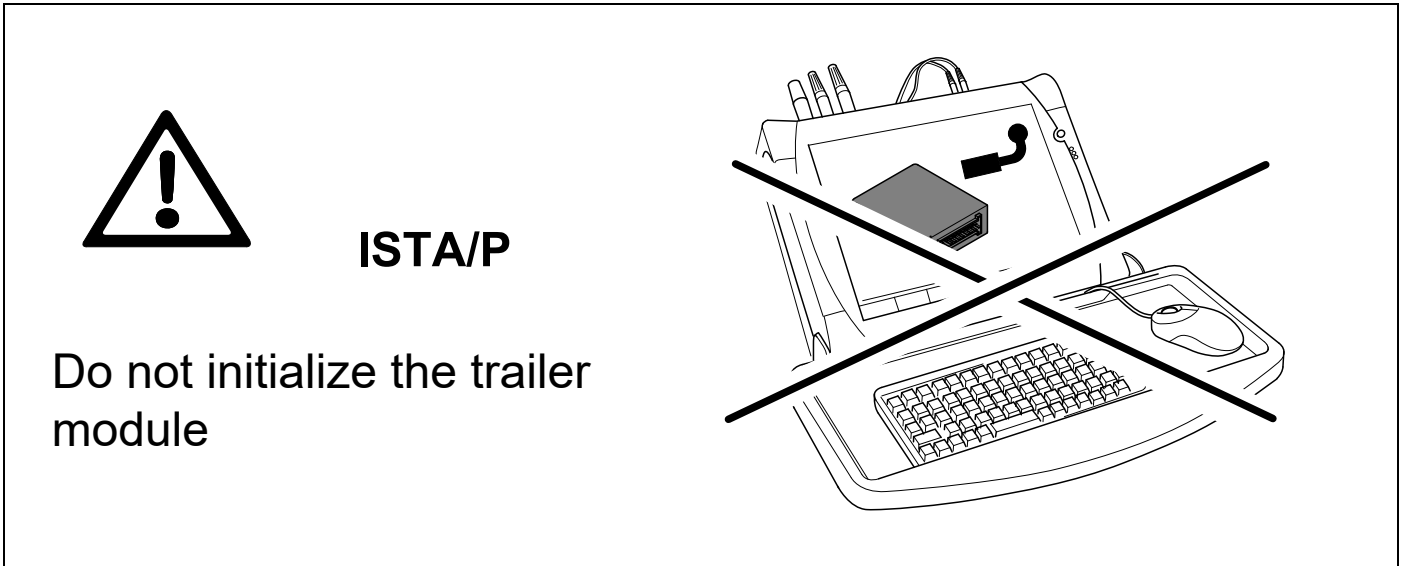
**21 OPTIONAL**



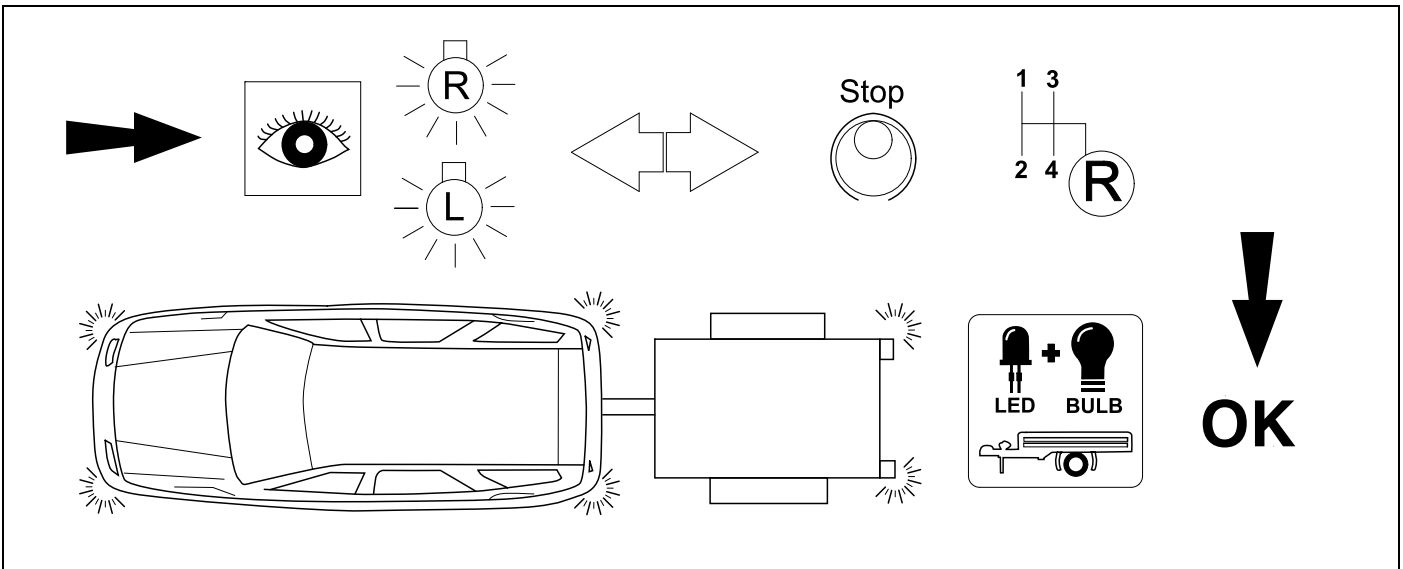
22



23

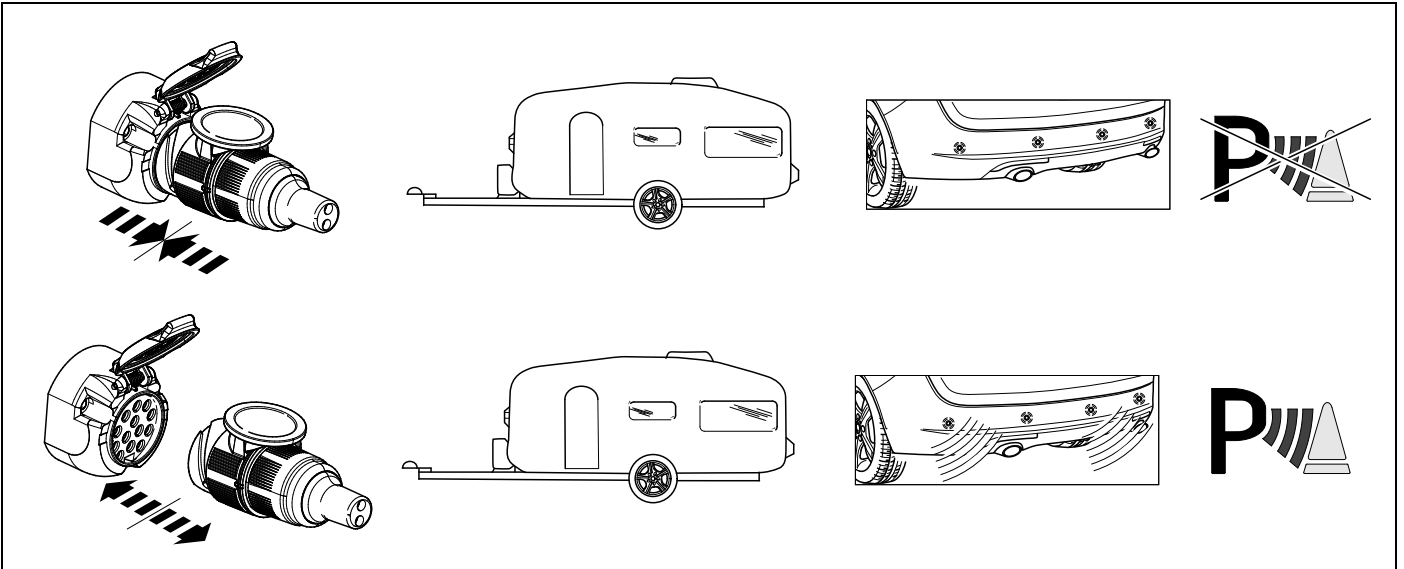


24 CHECK

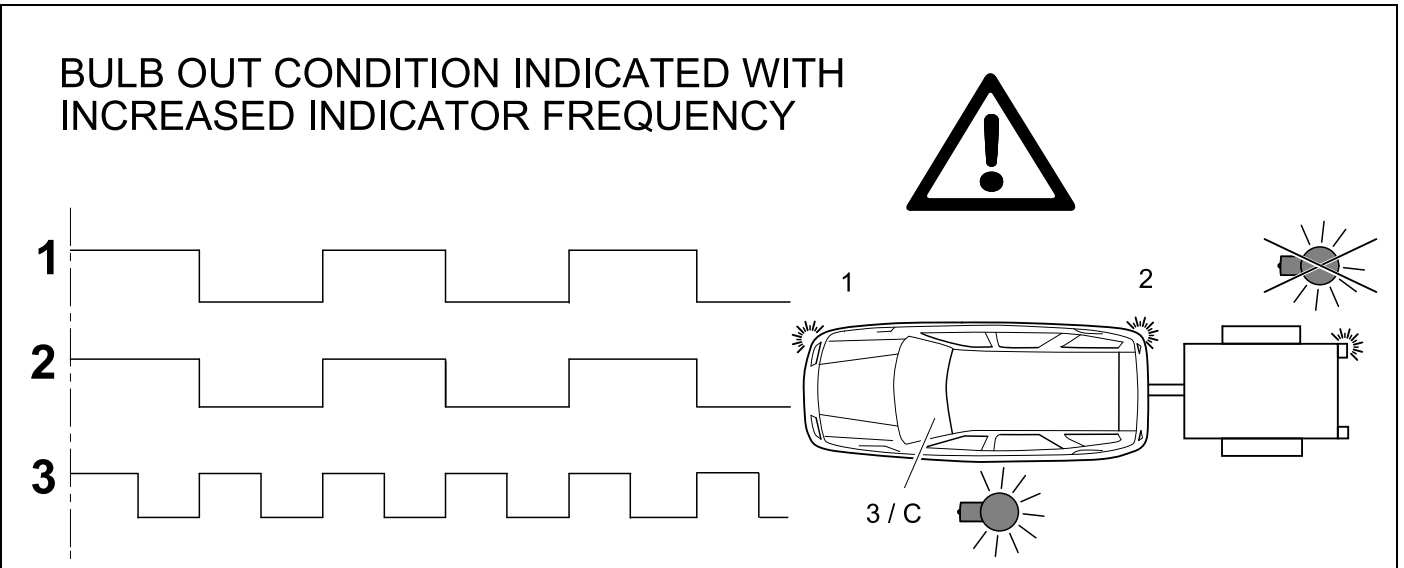


# 25 CHECK

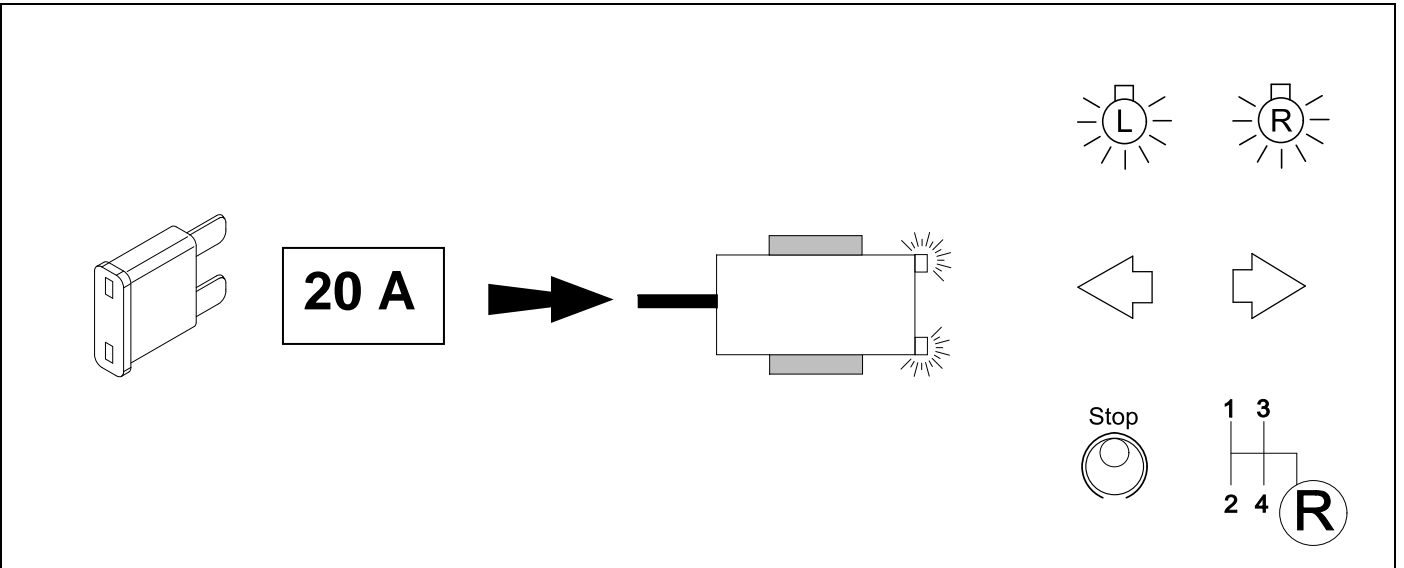
# PDC



# 26 CHECK BULB OUT DETECTION



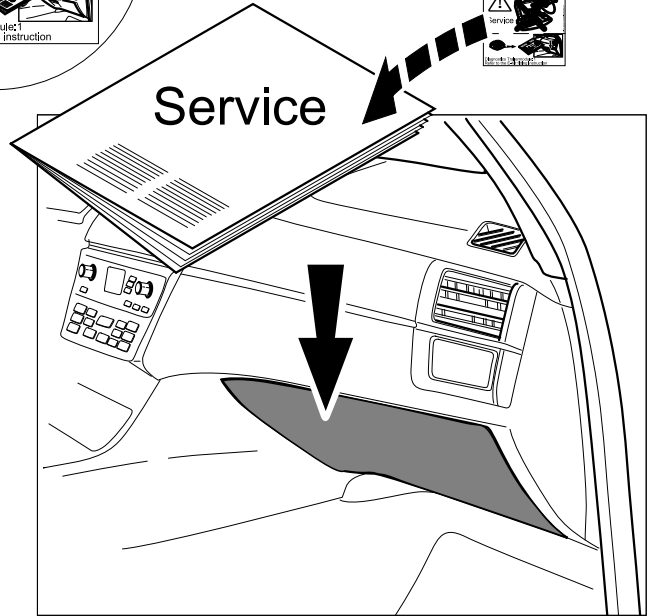
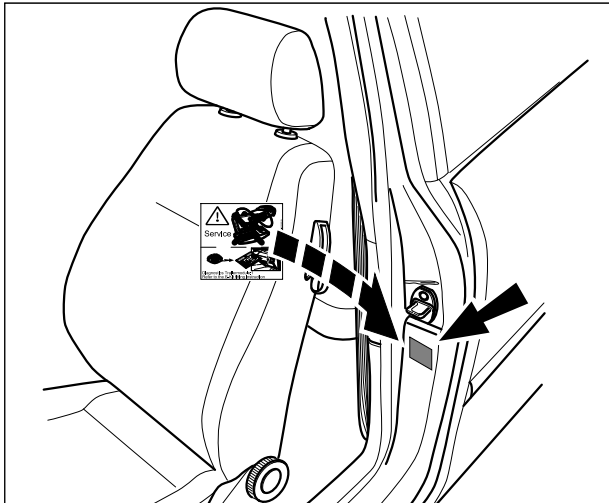
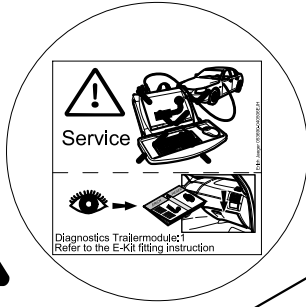
# 27







2x 5

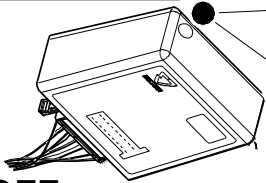
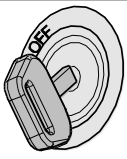


Scan this for our full E-Kit catalogue



# Status LED for self-diagnosis

## Operation Support



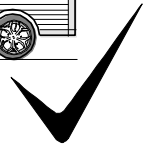
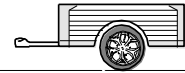
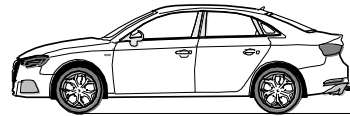
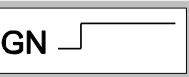
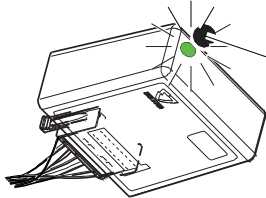
No CAN-Data =



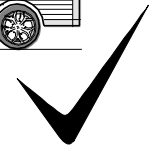
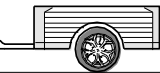
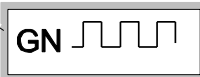
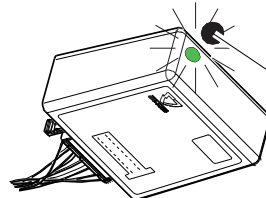
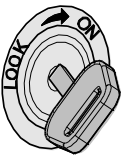
Standby / Sleepmode



Ignition OFF



Ignition ON



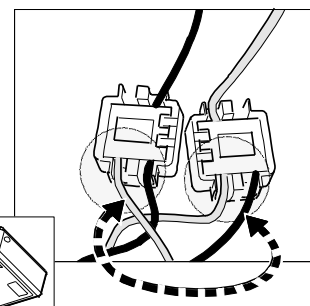
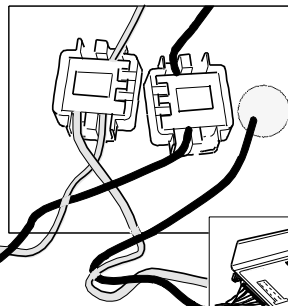
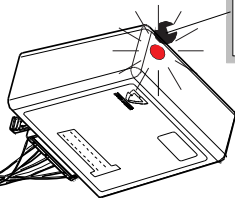
Ignition ON

## Failure Support

CAN-Data Wire

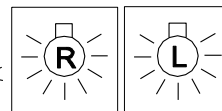


1x max. 5 min.

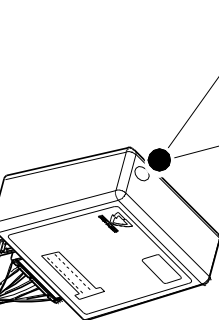


Ignition ON

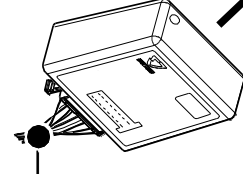
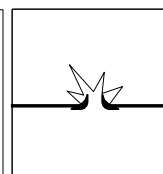
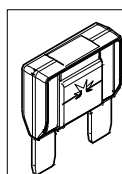
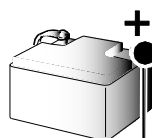
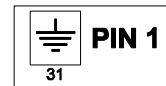
Failure indicated by the module LED glowing red for a maximum of 5 minutes. If trailer connected the tail lights will also glow indicating failure of CAN signal.



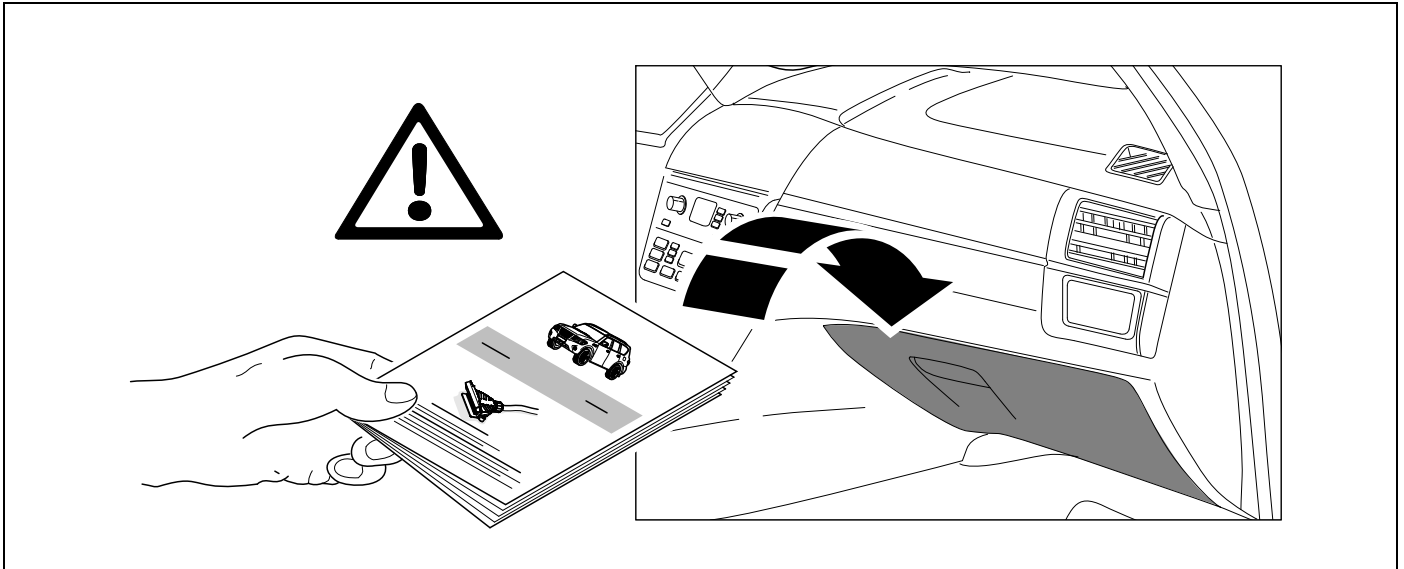
Ignition ON



or







Subject to change in terms of construction, equipment and colour, and may contain errors.  
The information and illustrations are non-binding.