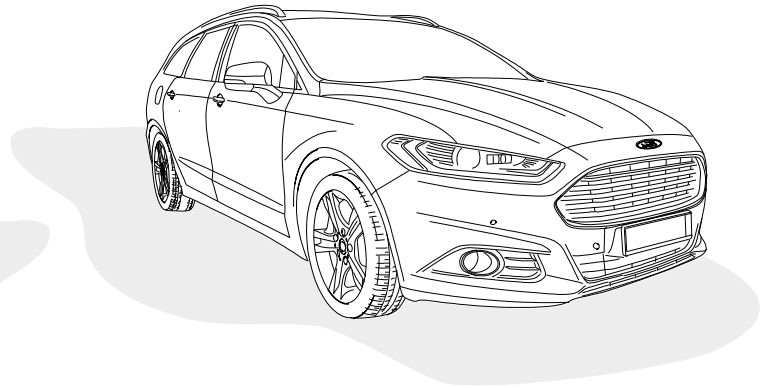
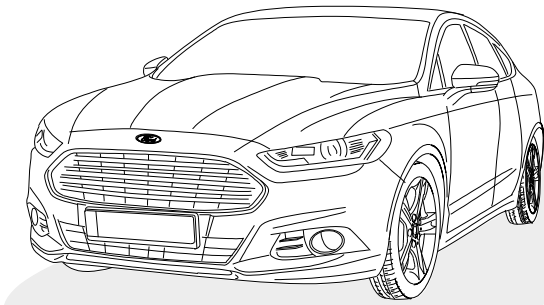




ERICH JAEGER

Installation instructions



750012EJ

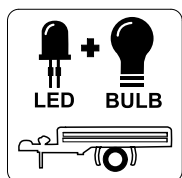
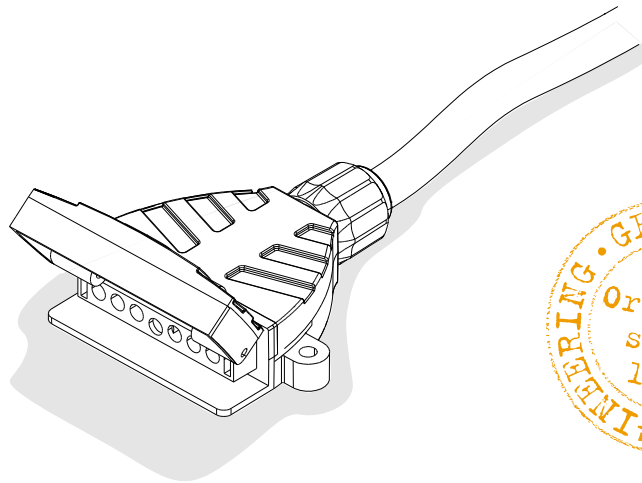
FORD Mondeo Sedan
FORD Mondeo Wagon

10/14 >>

10/14 >>



SCAN FOR
LATEST
INSTRUCTIONS



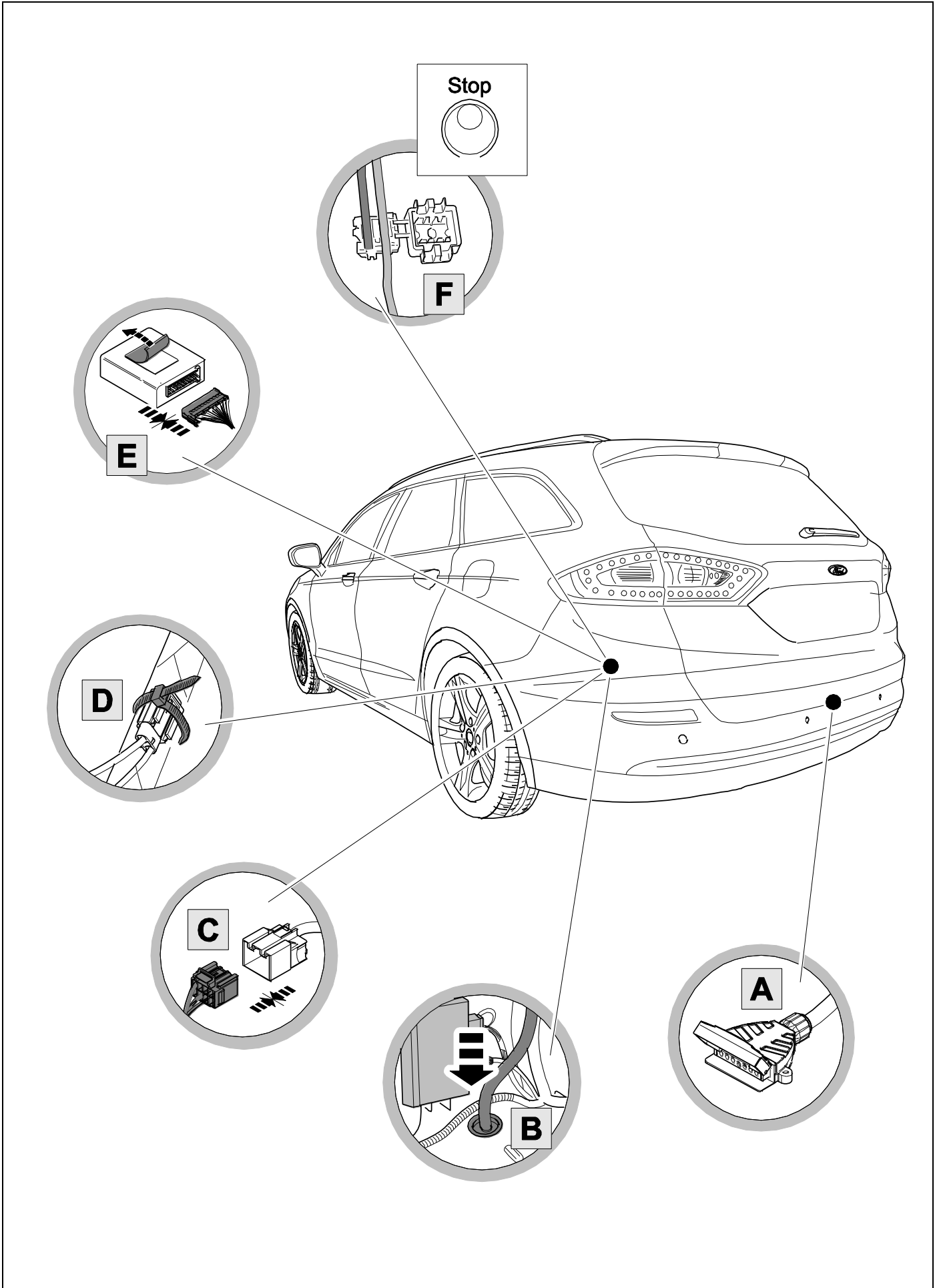
Reference:

The following information must be reviewed before beginning the assembly:

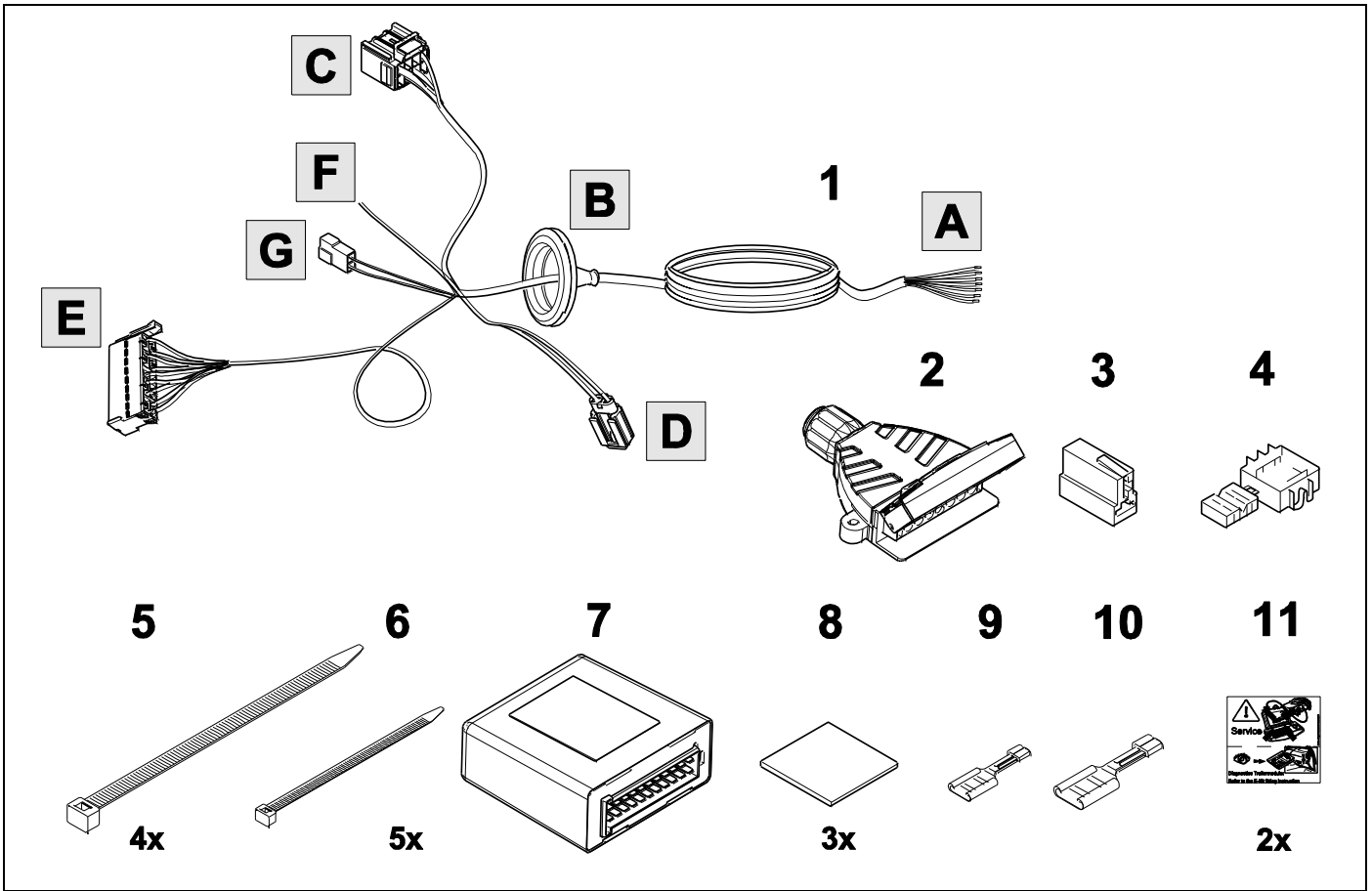
The installation instructions are to be thoroughly read.

The installation should be carried out by qualified personnel with the relevant technical knowledge. The vehicle manufacturers' current technical notices and information on retrofitting must be followed. The removal and replacement instructions found in the current repair manuals must be followed.

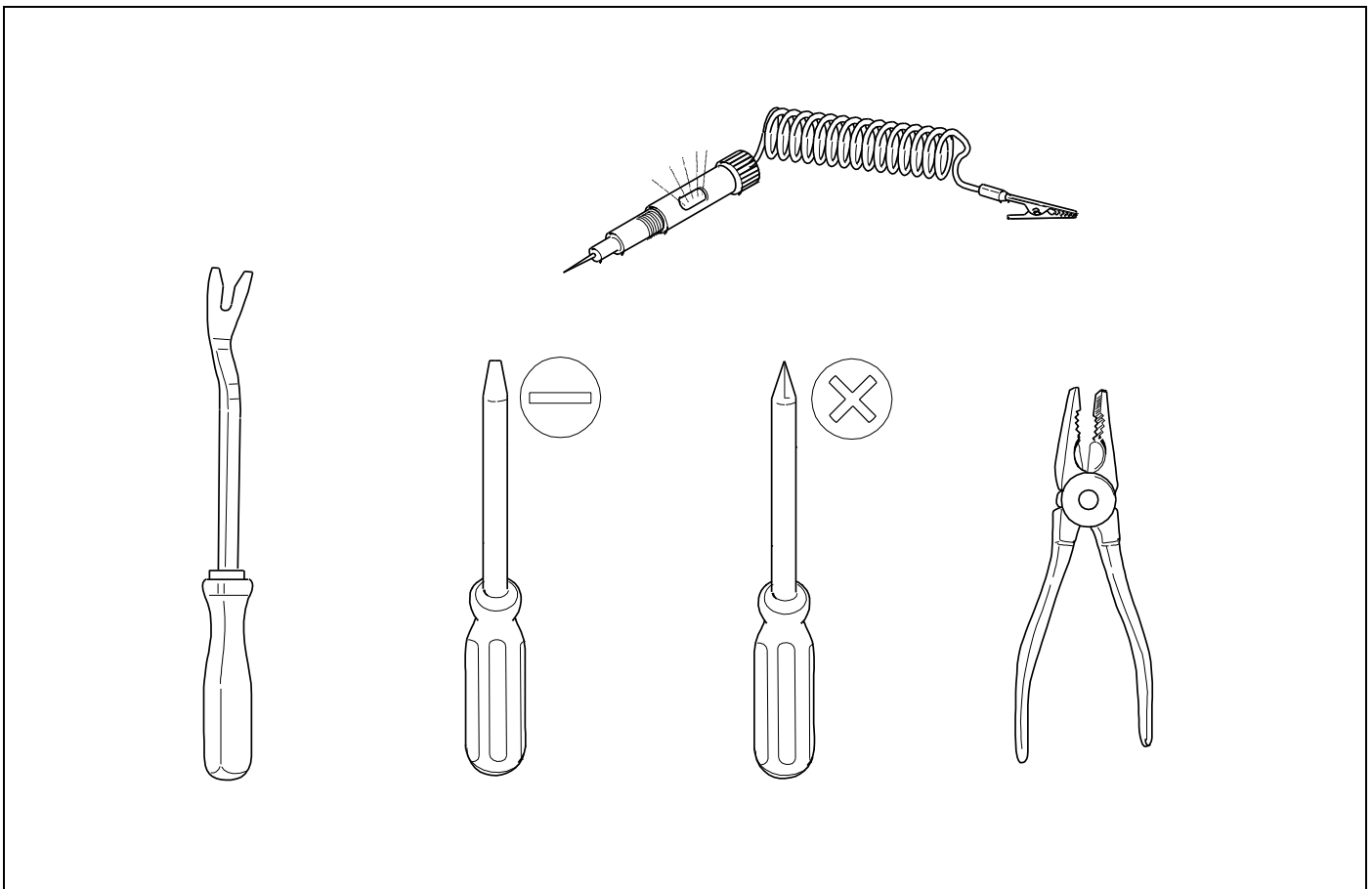
It must be ensured that the vehicle is technically suitable for the installation of a trailer hitch.



KIT



TOOLS



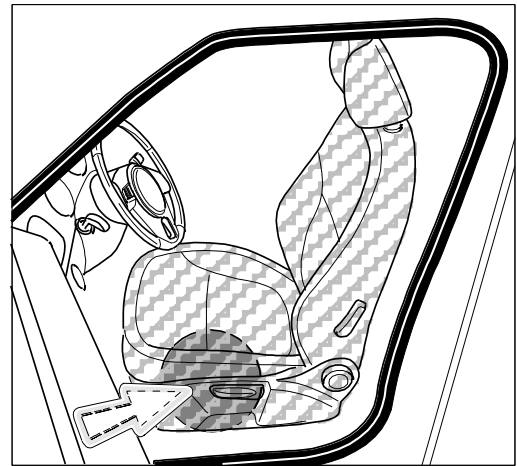
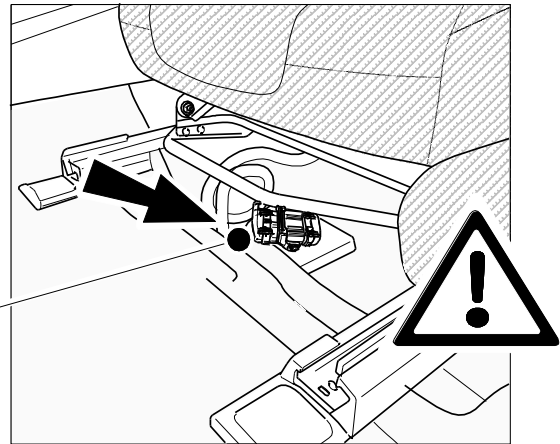
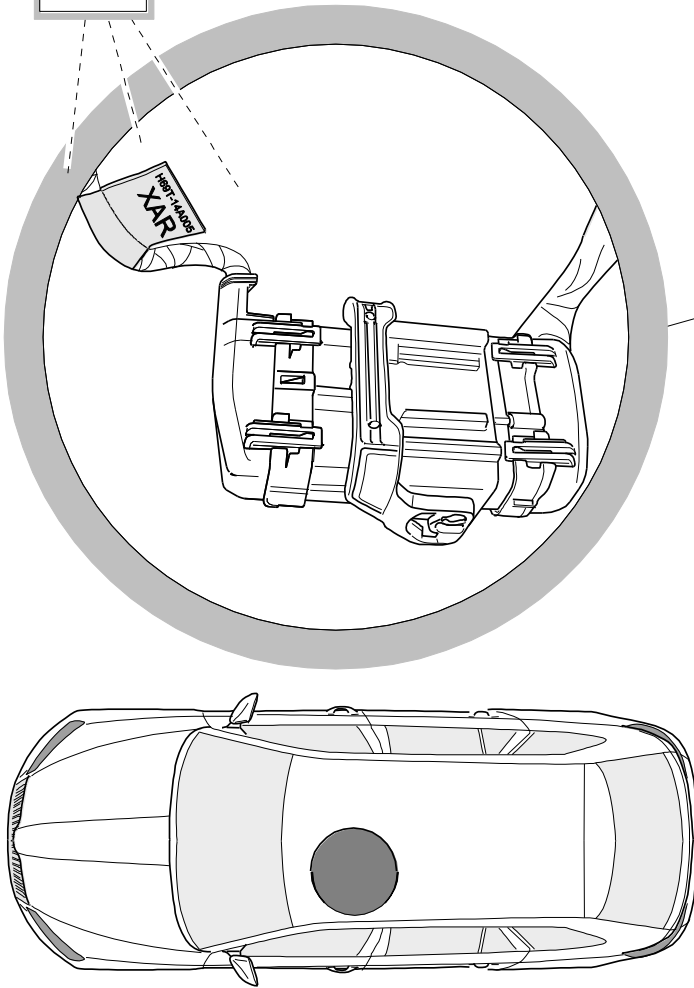
1

Check before beginning of installation



2

CAN

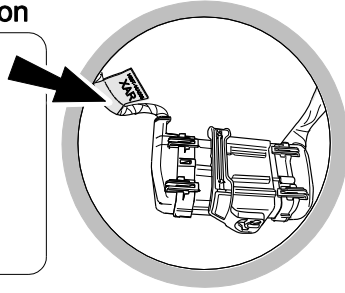


Check before beginning of installation

OPTION 1

Without Trailer preparation

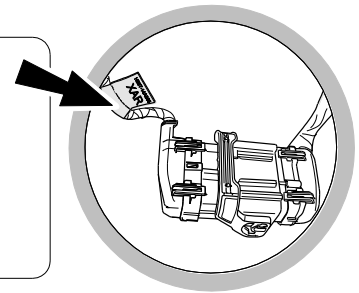
H69T-14A005

XAR

OPTION 2

With Trailer preparation

H69T-14A005

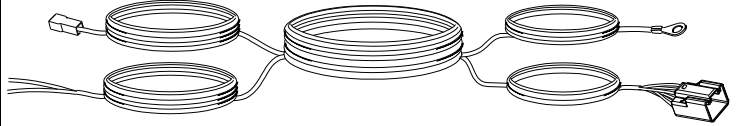
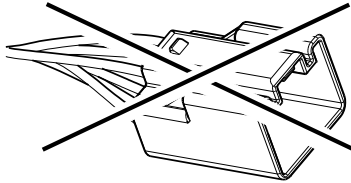
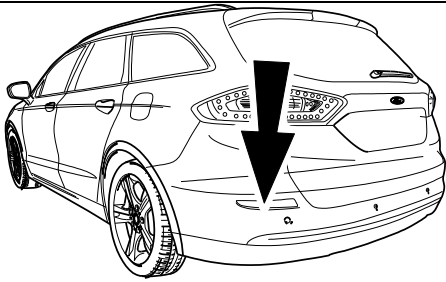
XAR

XA*	KX*	TT*	TE*
XE*	RE*	XT*	TH*
XF*	RR*	XZ*	TJ*
XR*	RX*	YA*	TM*
XS*	TG*	YR*	ZU*
XV*	TK*	YS*	ZZ*
EV*	TL*	ZH*	HT*
FB*	HL*	ZV*	HZ*
FC*	HM*	EU*	JT*
FF*	HS*	EX*	JV*
FJ*	HU*	EZ*	JZ*
LR*	HV*	FU*	NM*
LS*	HX*	UB*	NN*
UC*	JK*	UH*	NP*
UD*	JL*	UK*	NR*
UE*	JM*	UL*	NS*
UF*	JU*	KP*	NV*
UG*	JX*	KR*	NX*
UJ*	JY*	KT*	NY*
UN*	VA*	RA*	TB*
UP*	VE*	RG*	MN*
UR*	VF*	RS*	MP*
US*	VG*	RT*	MR*
UT*	VH*	RU*	MS*
KE*	VJ*	RV*	NE*
KF*	VK*	RY*	NF*
KU*		SG*	NH*
KV*		SH*	NJ*

3

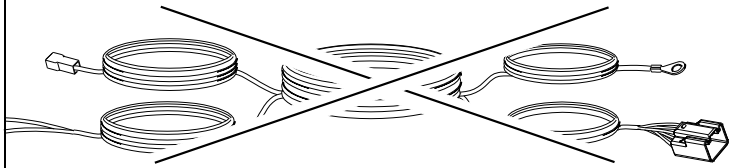
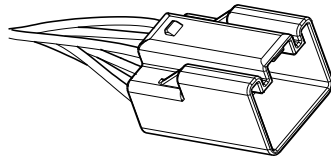
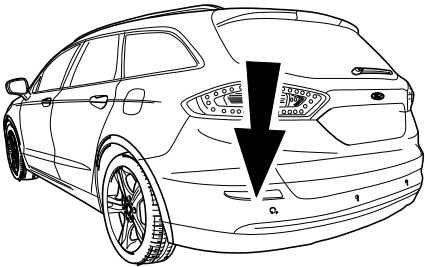
OPTION 1

ERICH JAEGER part number: **721228**

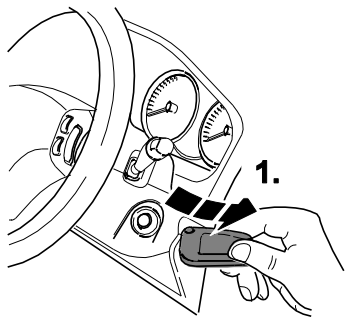


OPTION 2

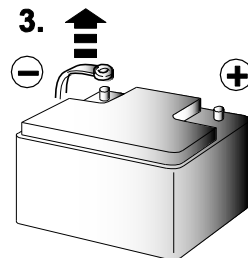
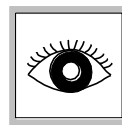
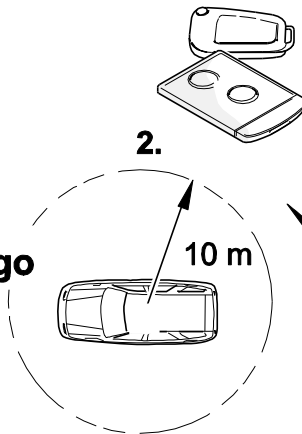
Kit is not needed



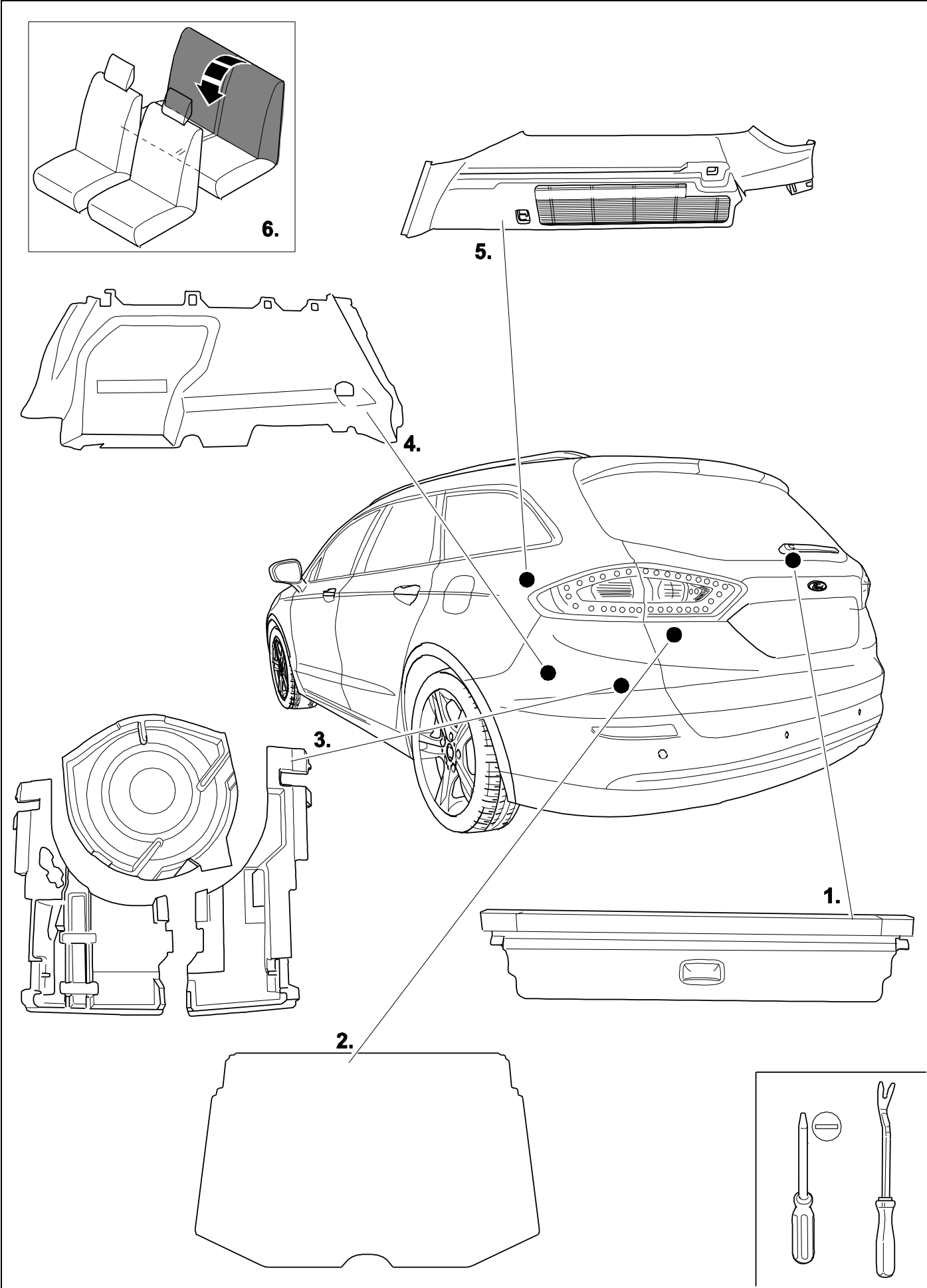
4



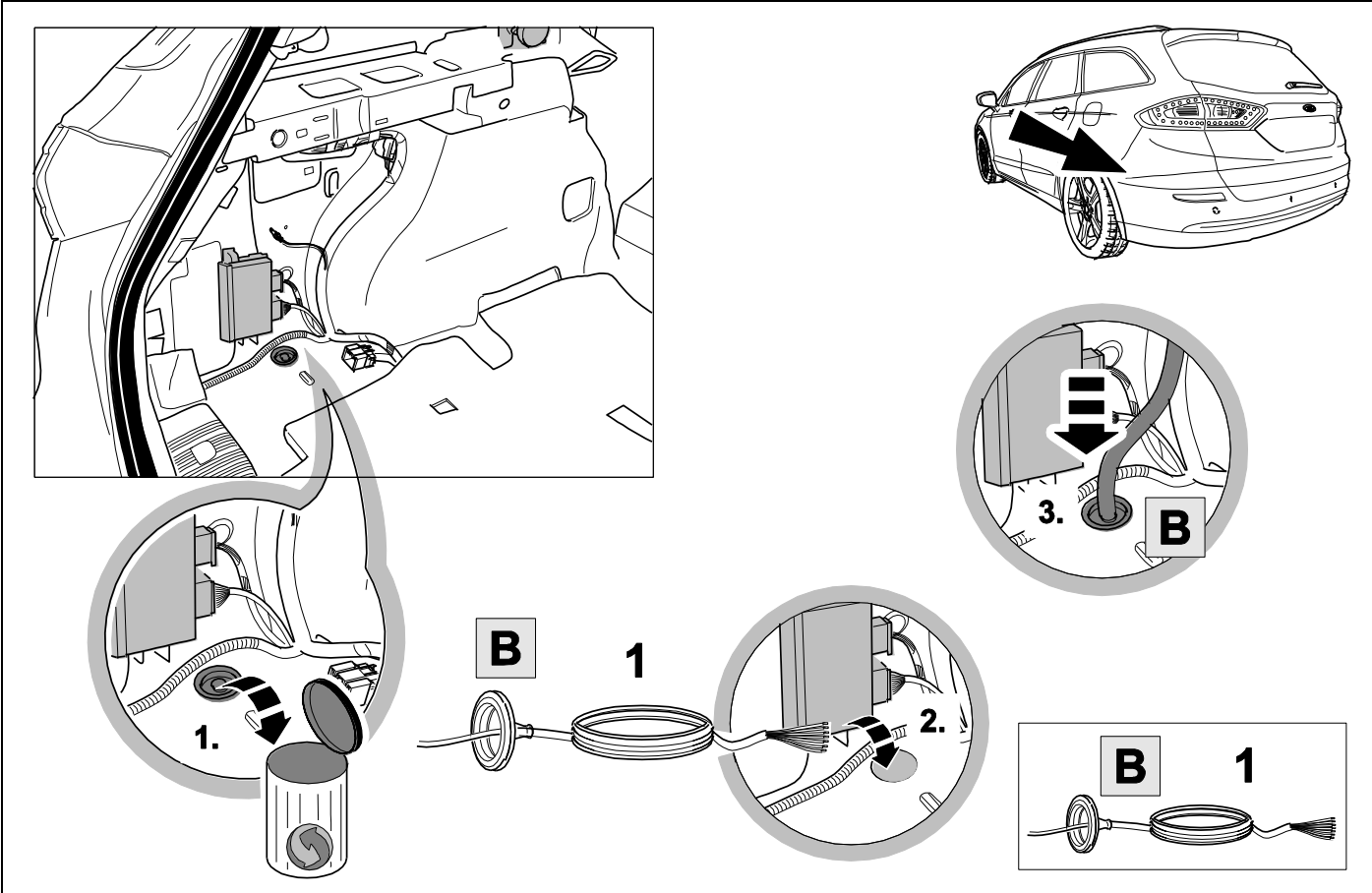
Keyless-go



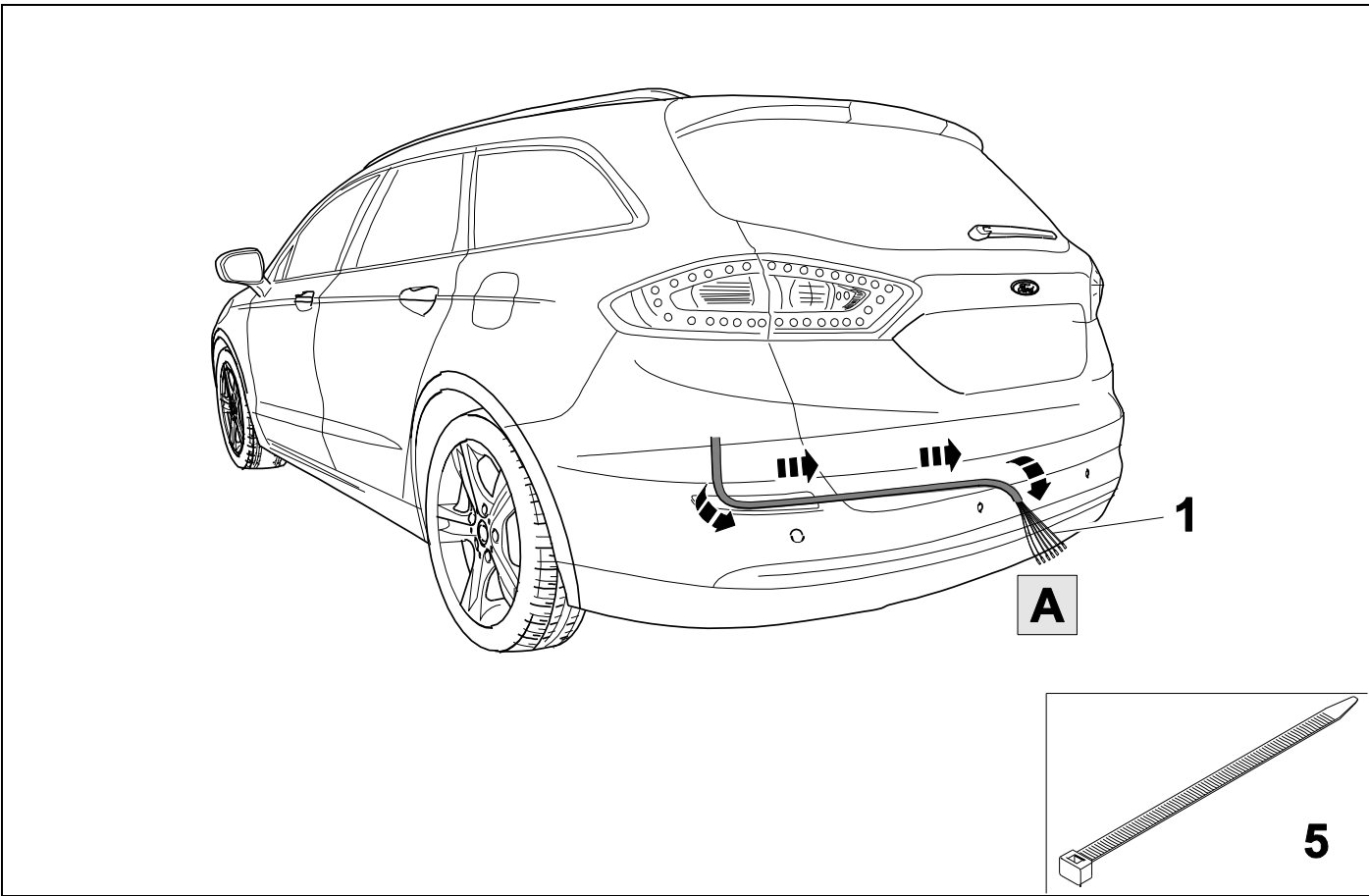
5



6



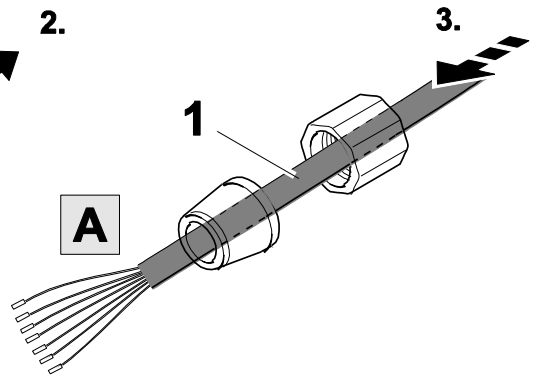
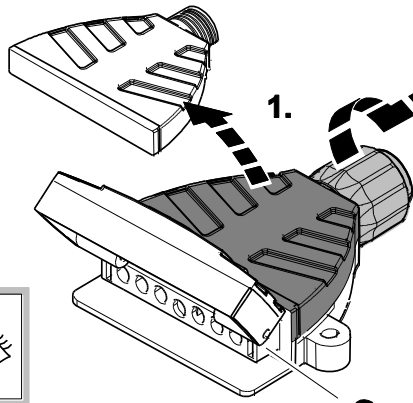
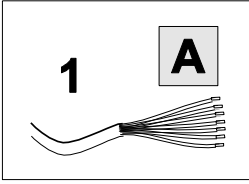
7



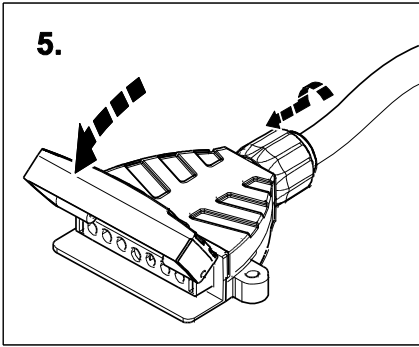
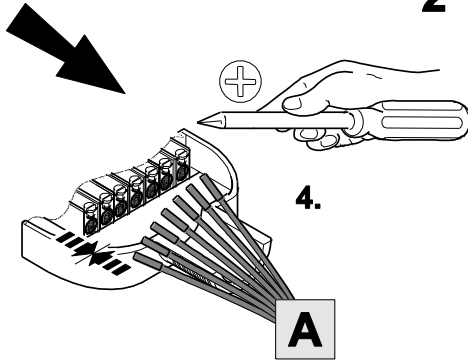
8



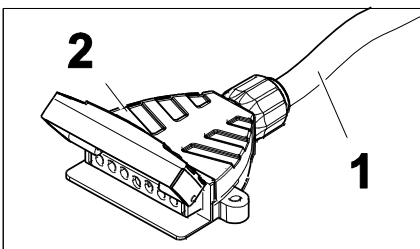
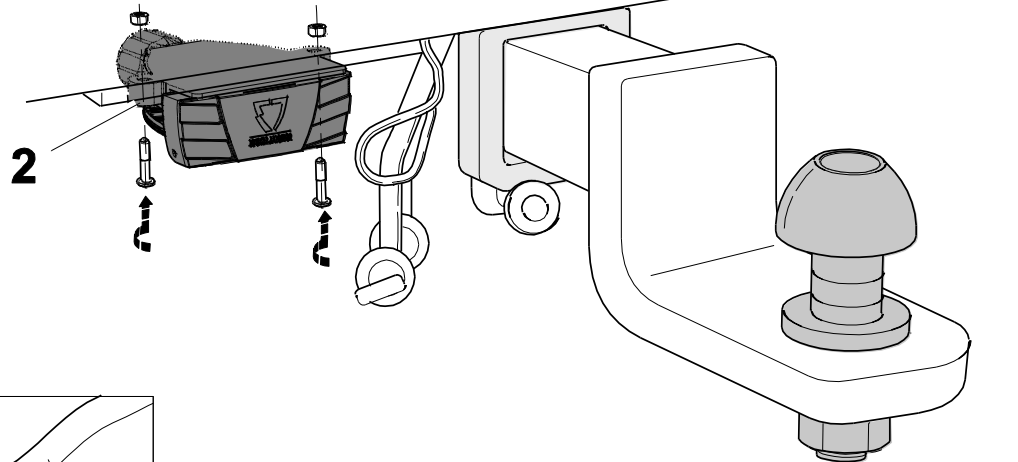
10



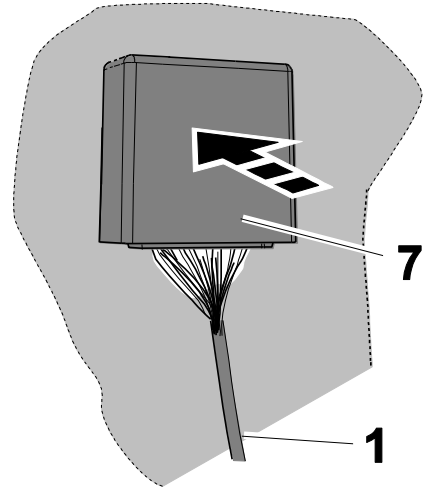
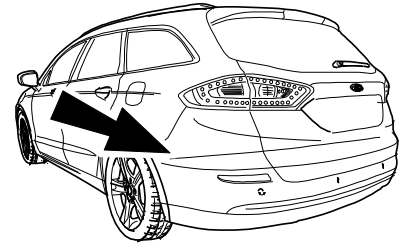
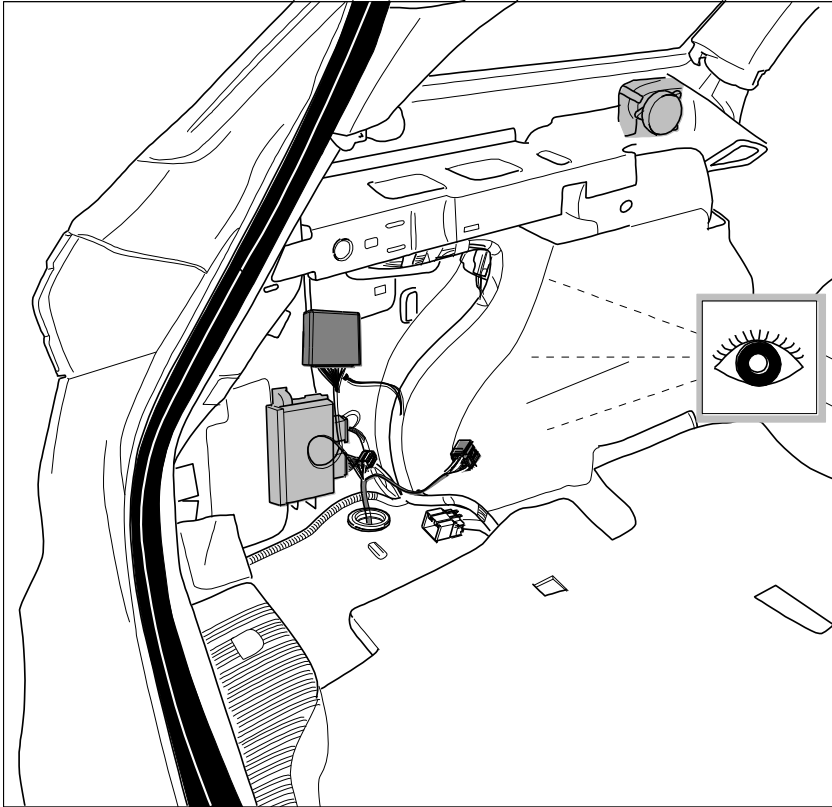
- gn 4
- bn 7
- bk 2
- wh 3
- bu 5
- rd 6
- ye 1



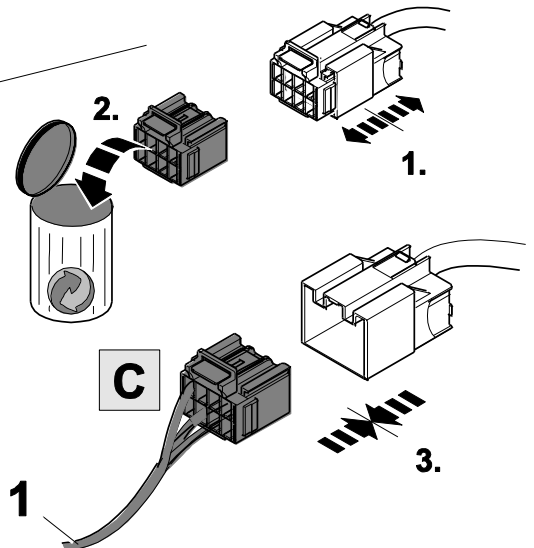
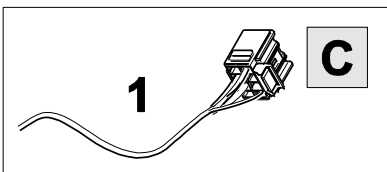
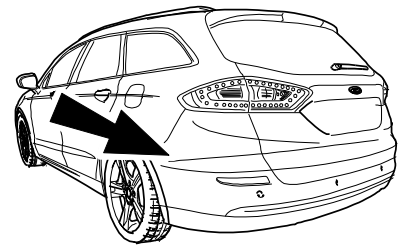
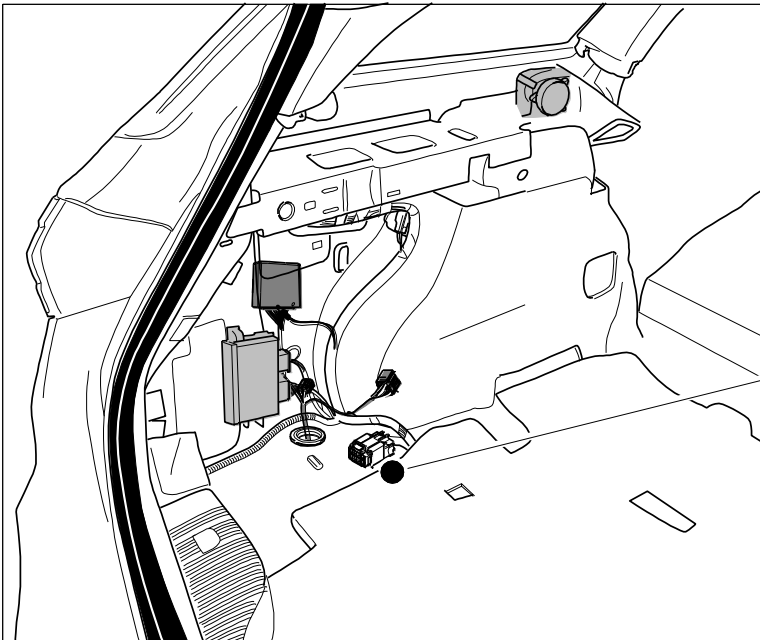
9

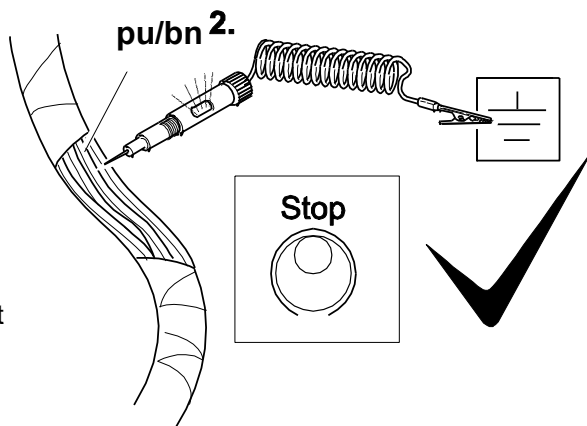
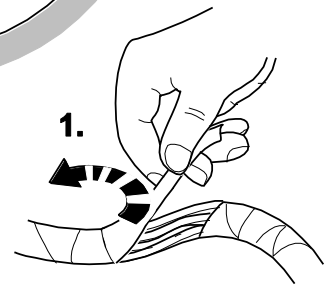
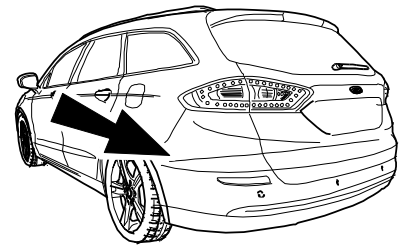
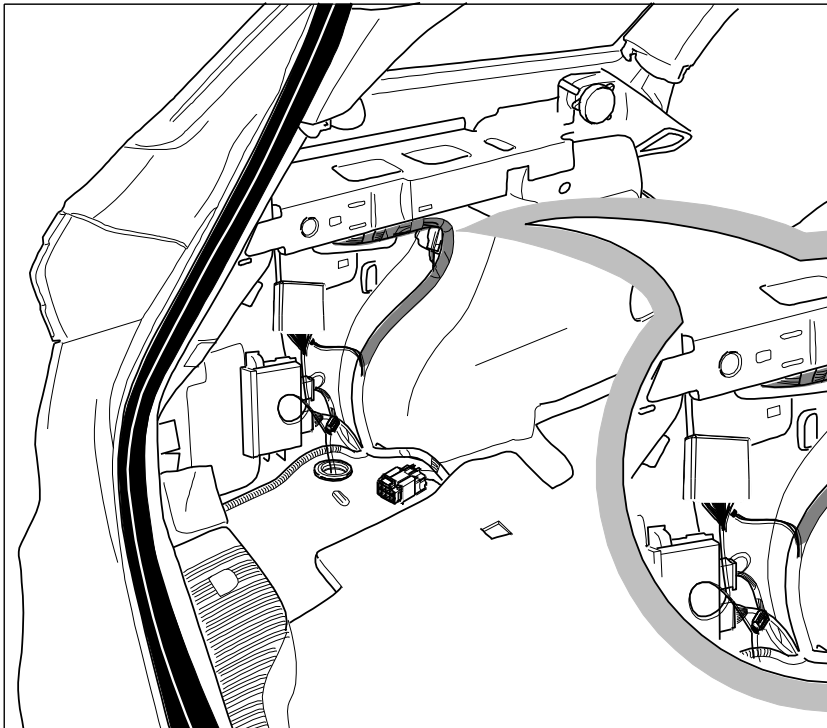


13

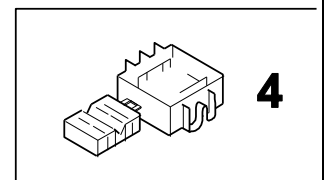
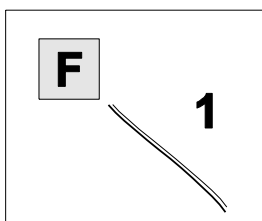
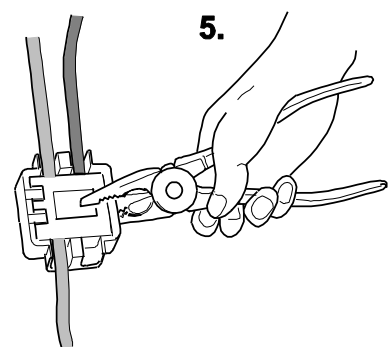
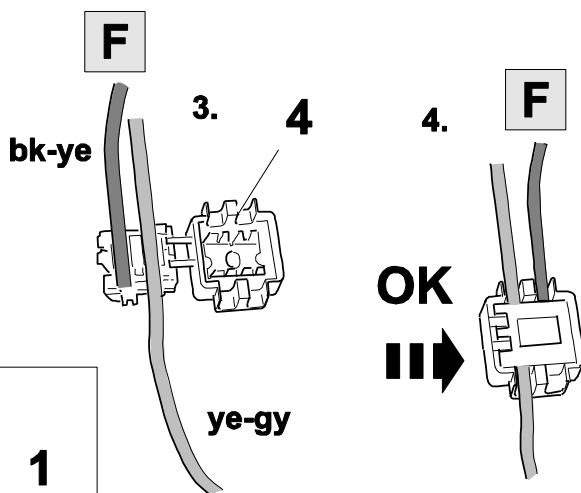


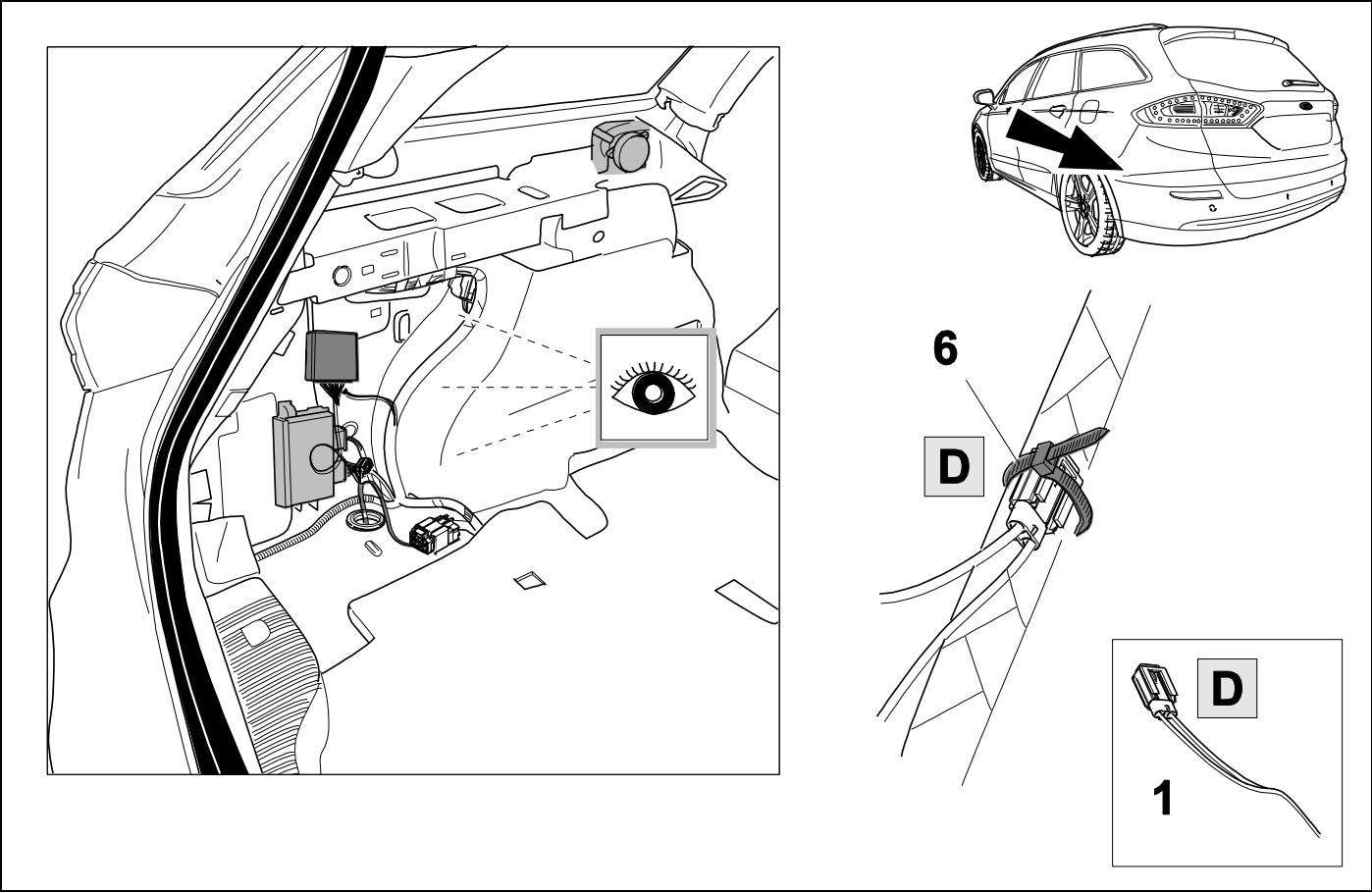
14





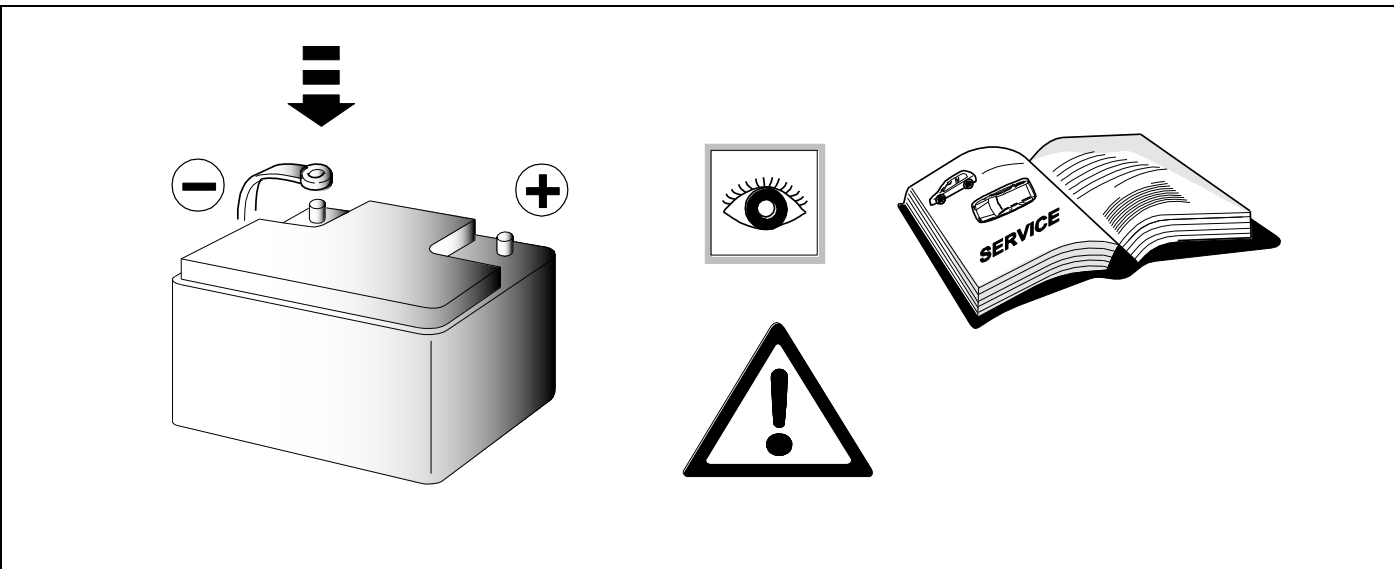
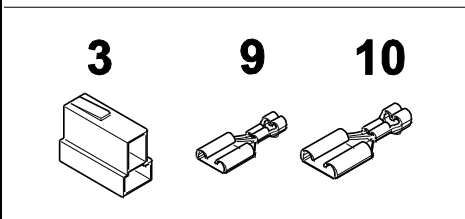
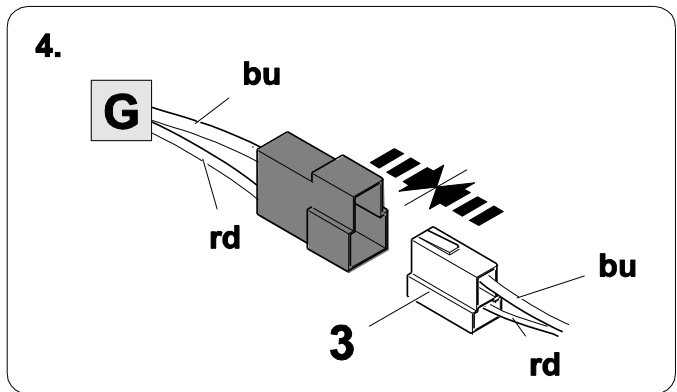
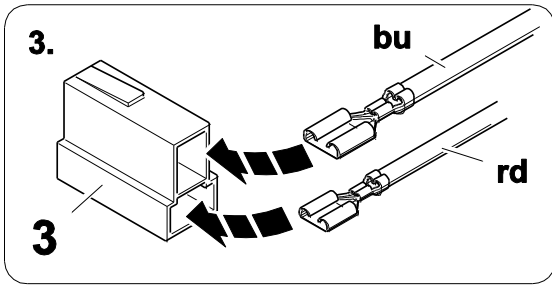
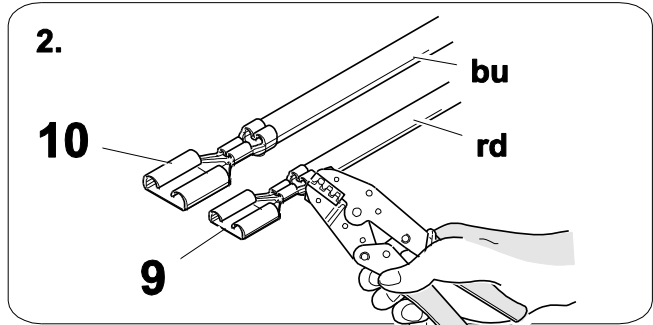
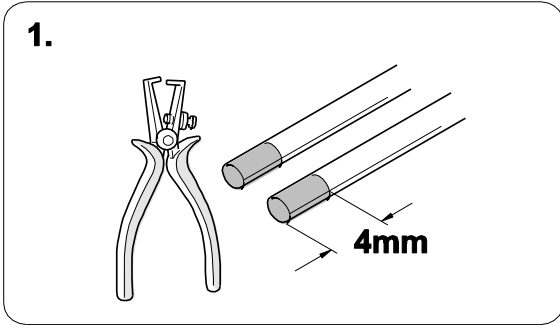
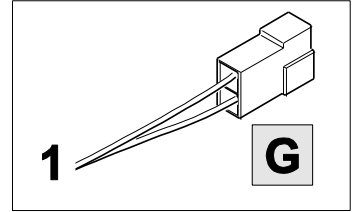
Wire colors might vary from model to model. Please check correct wire with test probe.







Trailer Brake Preparation



19 CHECK ALL LIGHTING FUNCTIONS

OK → 21 ⇒ 26

~~OK~~ → 20 ⇒ 26

20

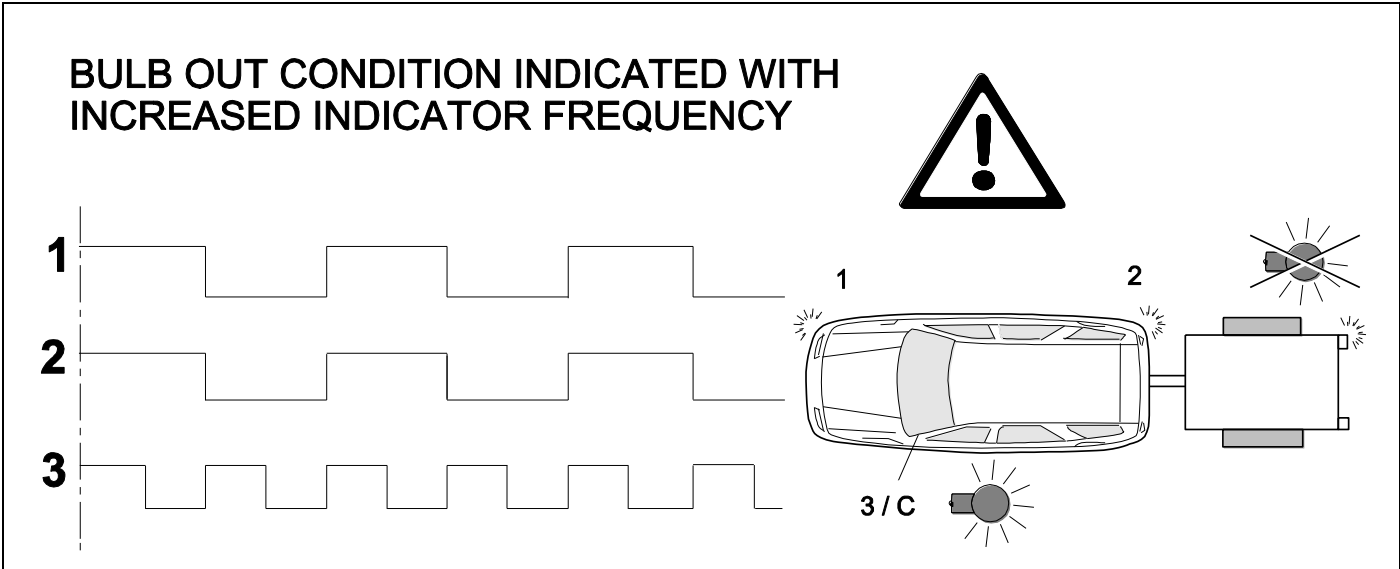
pos.78

1. 180°

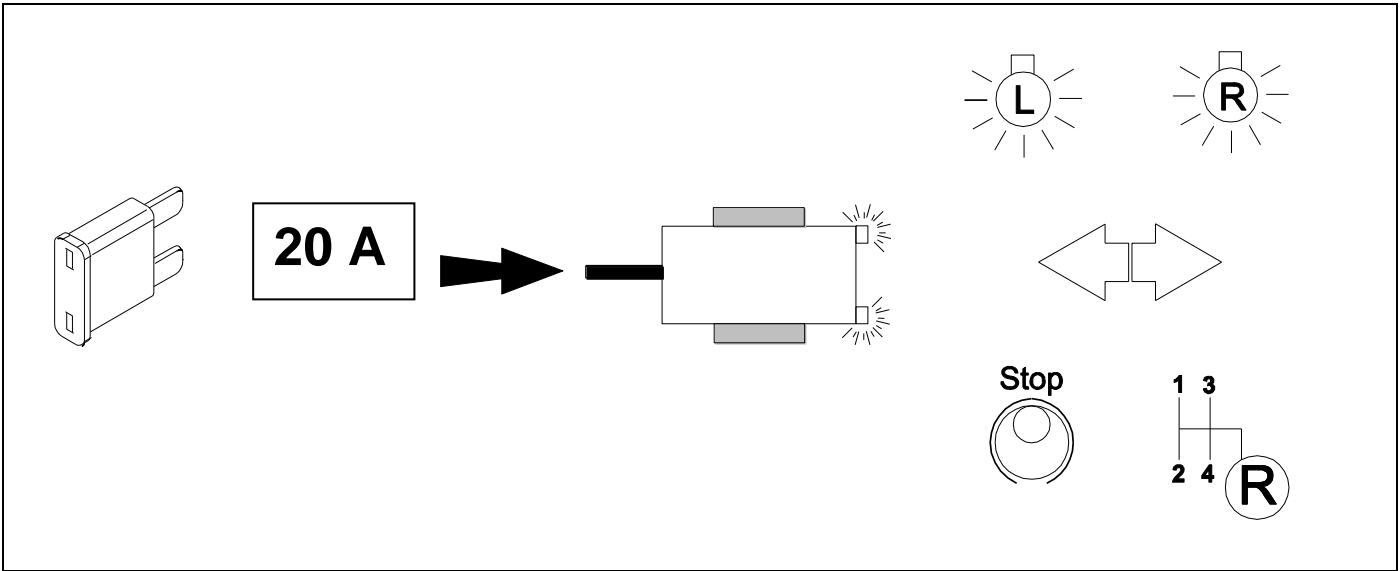
2.

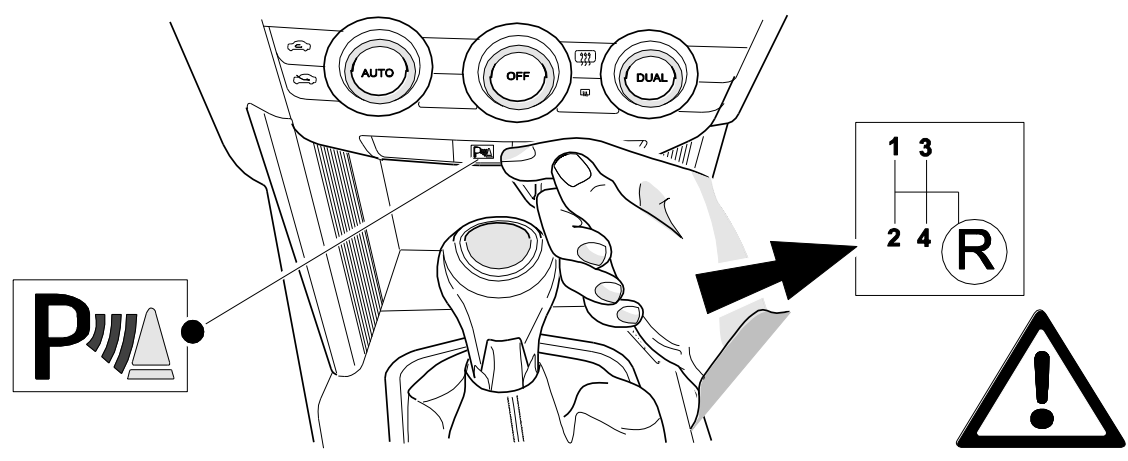
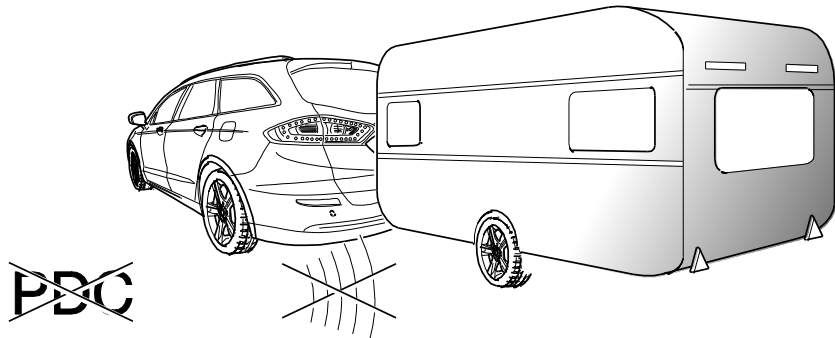
Ford Service

21 CHECK BULB OUT DETECTION



22  ⇒ **16**





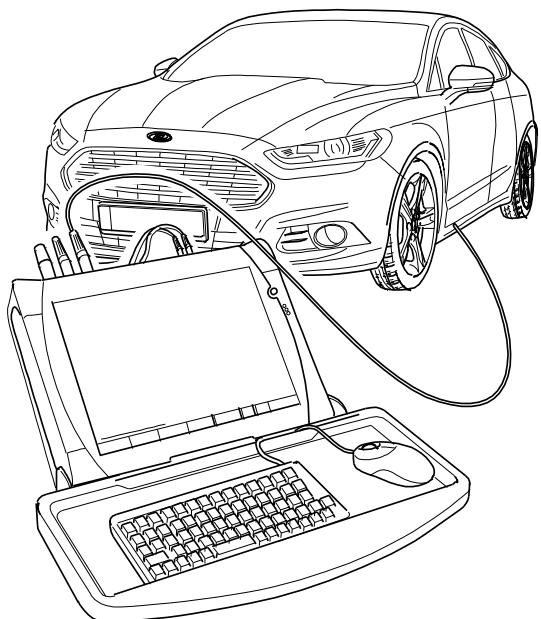
ETIS

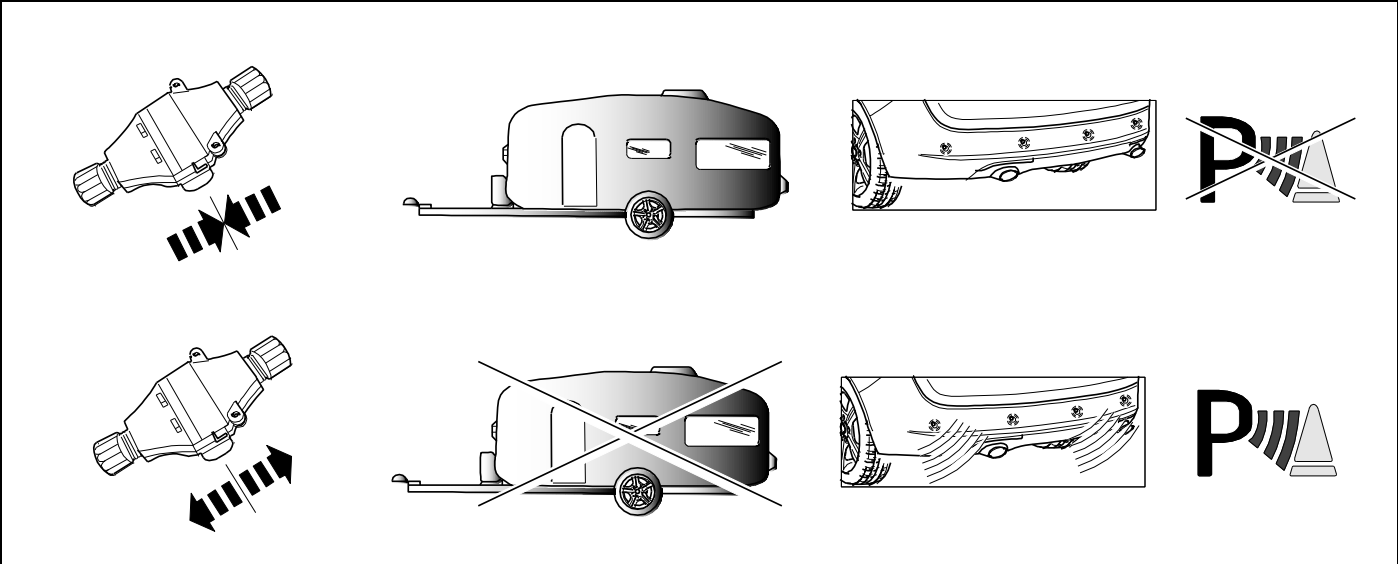
Configuration Modules

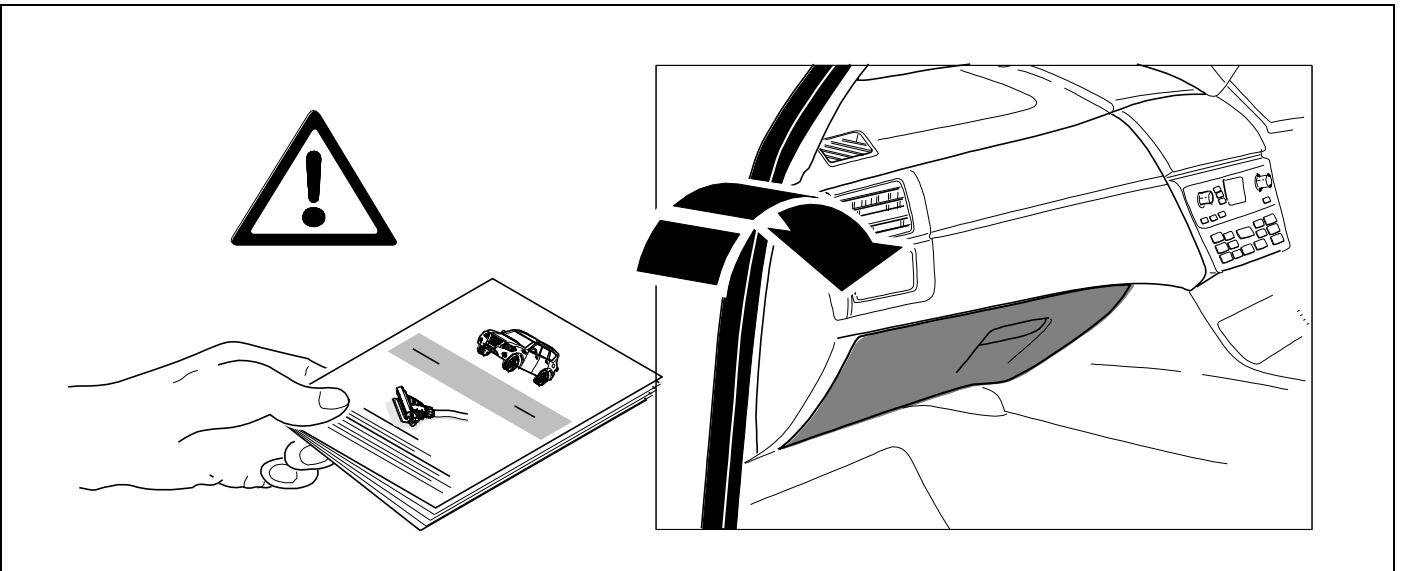
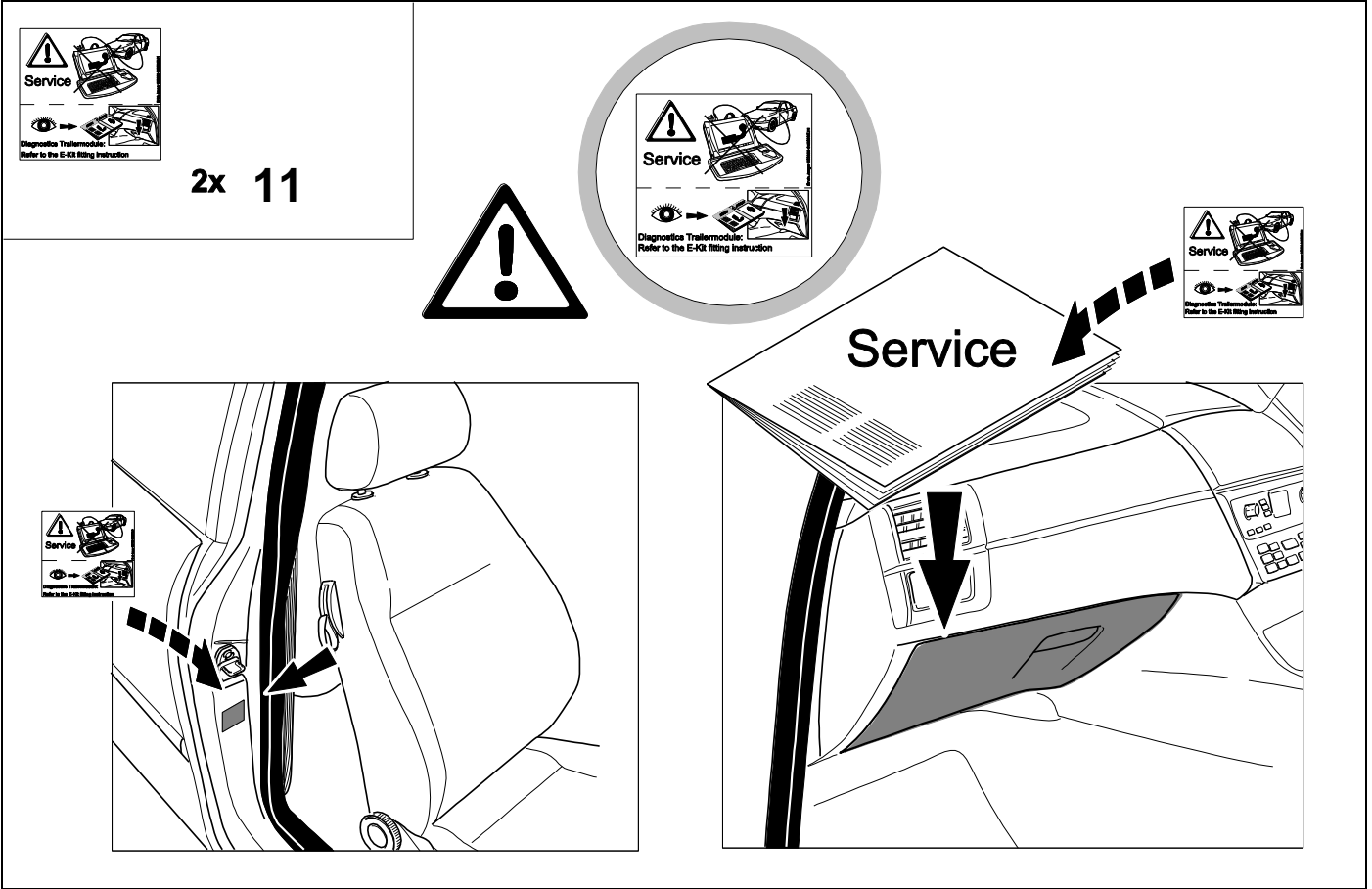
- ABS**
- APIM**
- BCMii**
- IPC**

OPTIONAL Equipment

- PAM**
- SODL**
- SODR**
- FCDIM**







Subject to change in terms of construction, equipment and colour, and may contain errors.
The information and illustrations are non-binding.