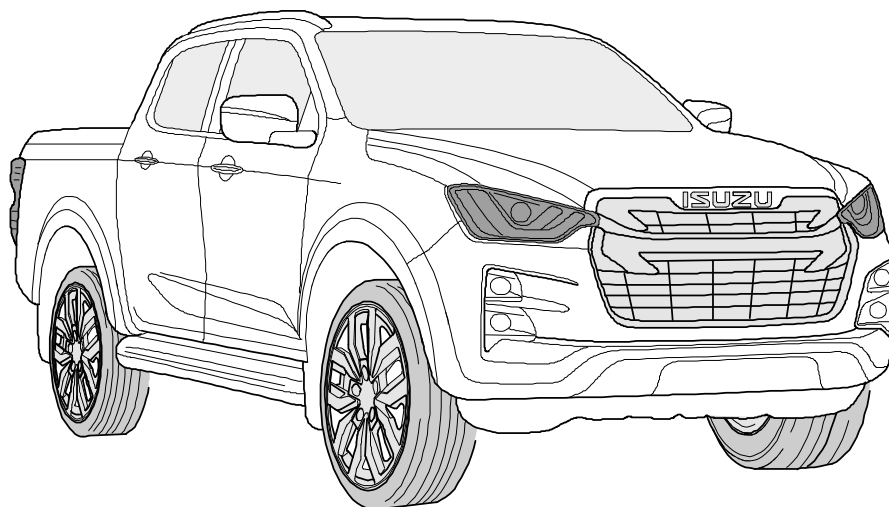




ERICH JAEGER

# Installation instructions



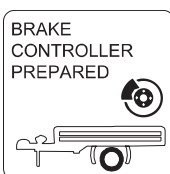
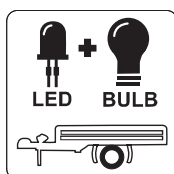
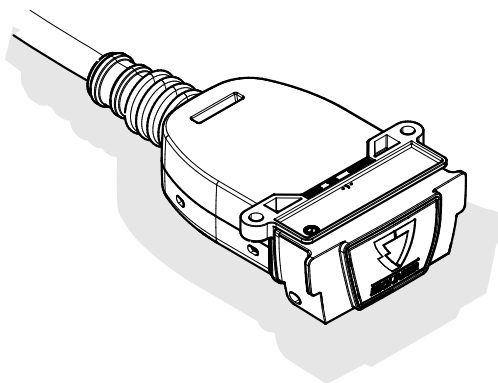
## 750137

## ISUZU D-MAX

## 06/12 >>



SCAN FOR  
LATEST  
INSTRUCTIONS

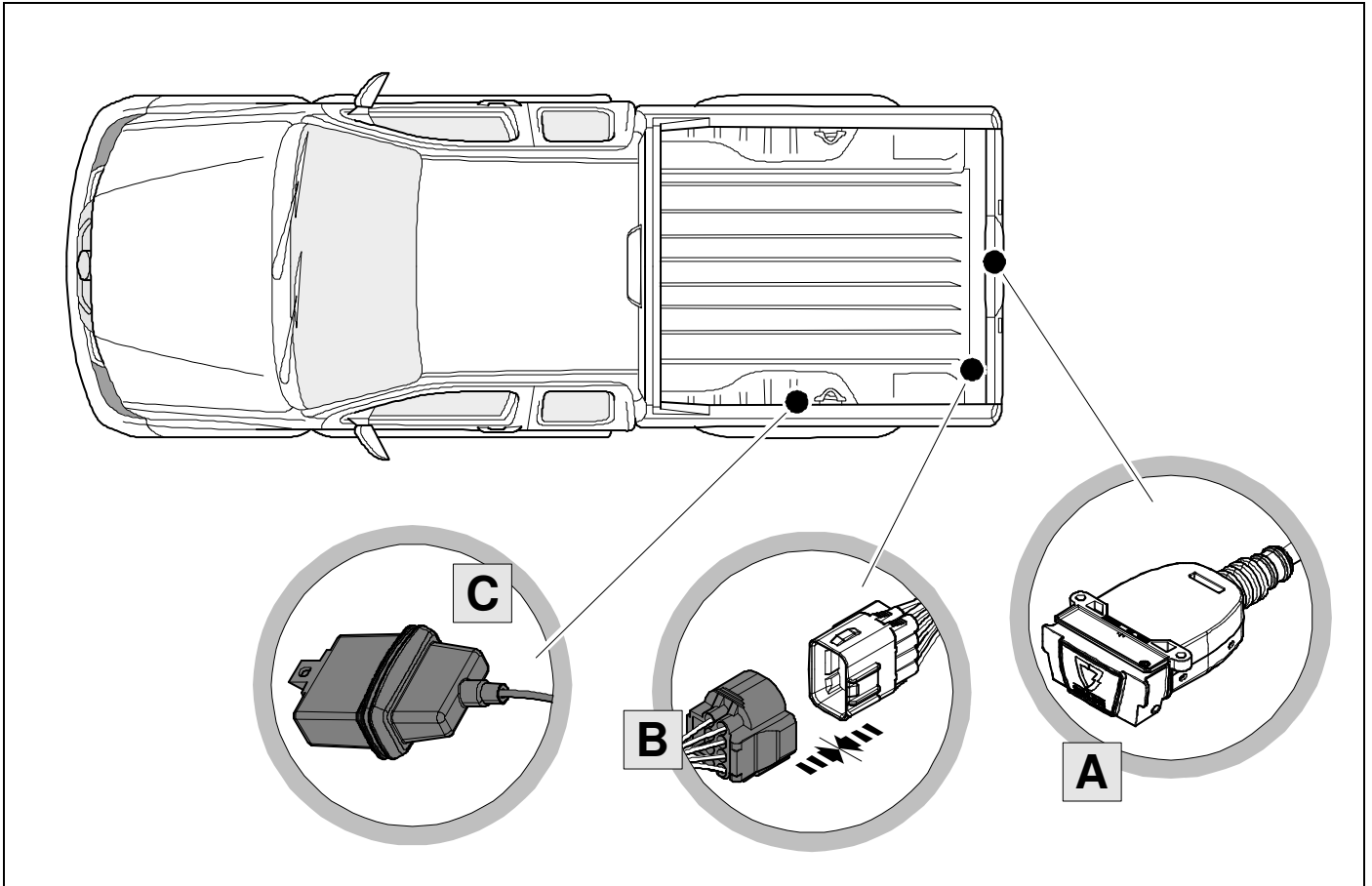


### Reference:

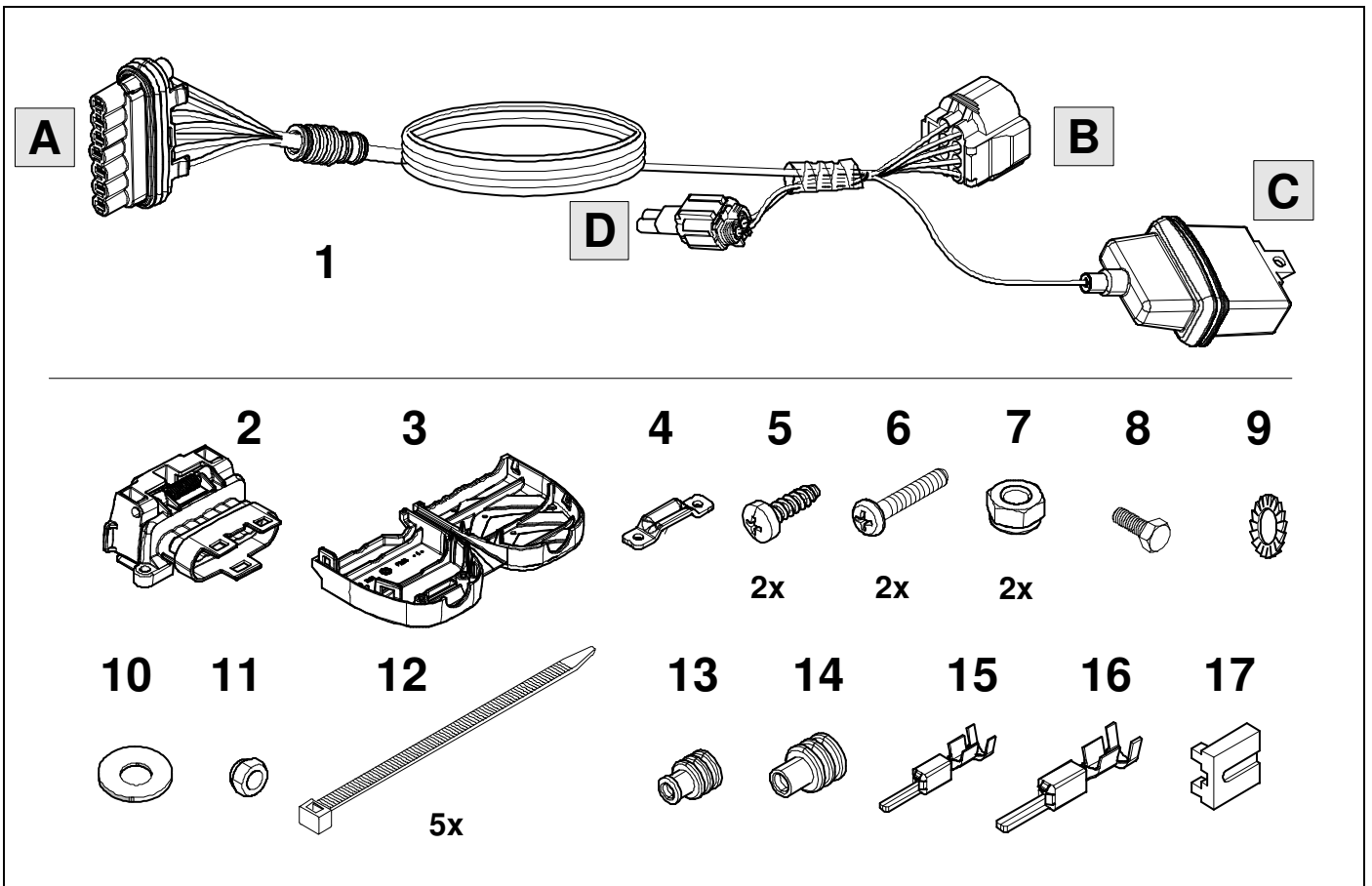
The following information must be reviewed before beginning the assembly:

- The installation instructions are to be thoroughly read.
- The installation should be carried out by qualified personnel with the relevant technical knowledge.
- The vehicle manufacturers' current technical notices and information on retrofitting must be followed.
- The removal and replacement instructions found in the current repair manuals must be followed.
- It must be ensured that the vehicle is technically suitable for the installation of a trailer hitch.

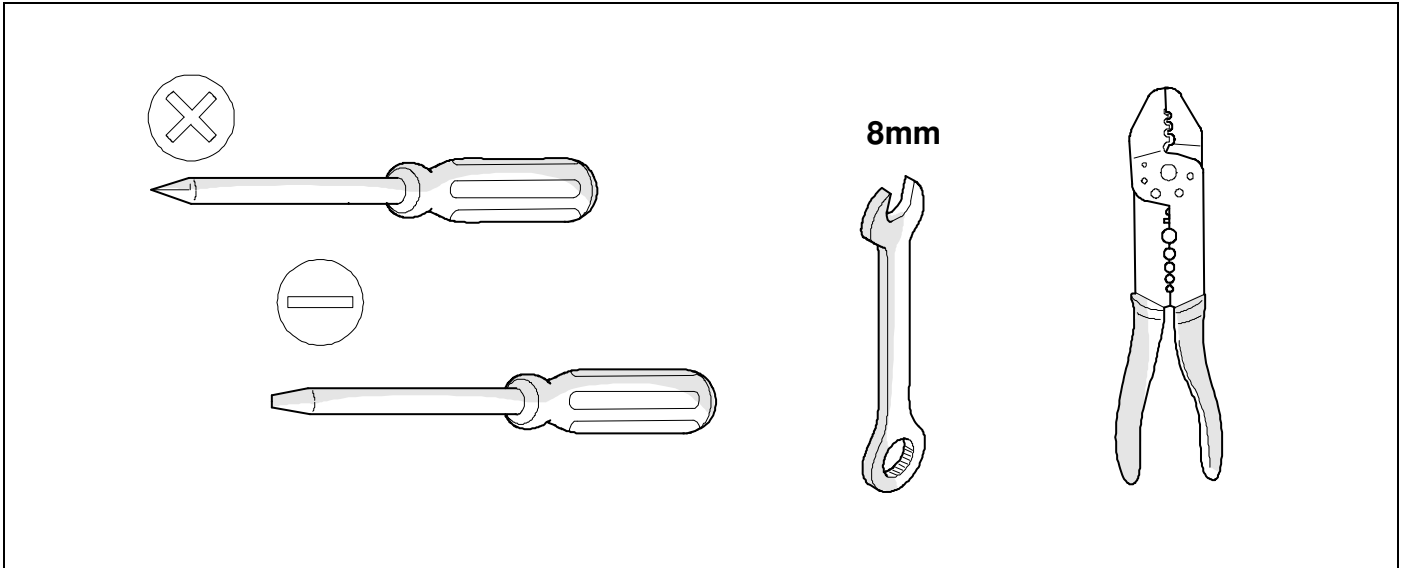
# OVERVIEW



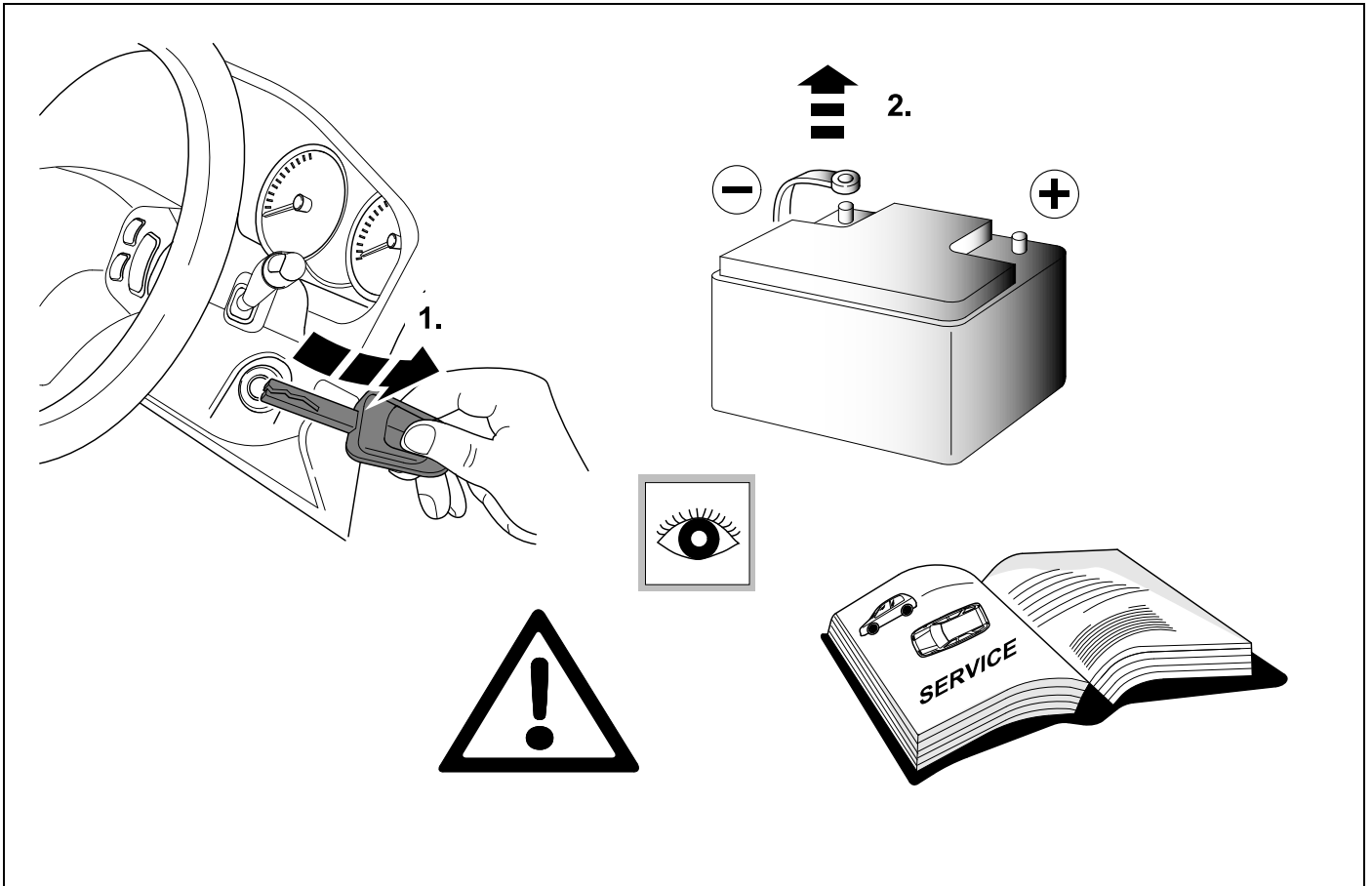
# KIT



# TOOLS

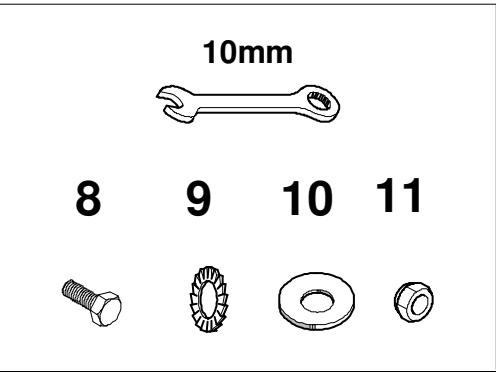
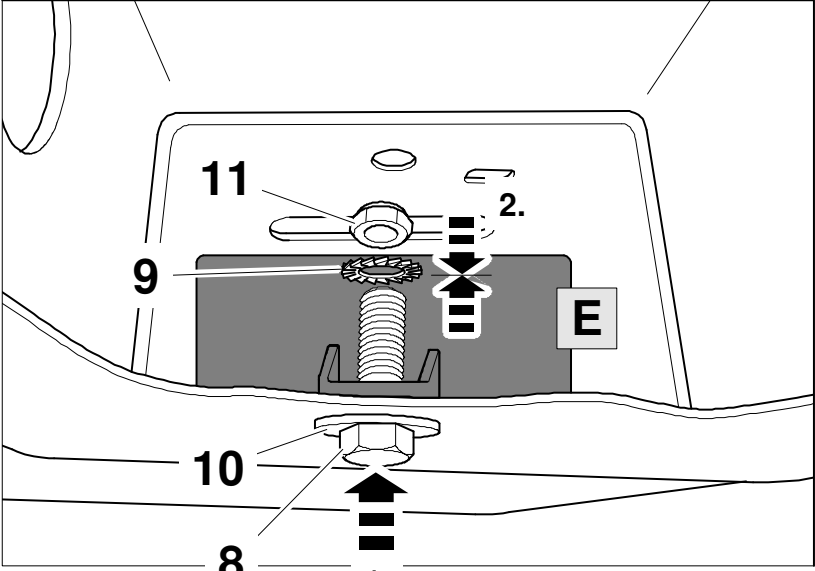
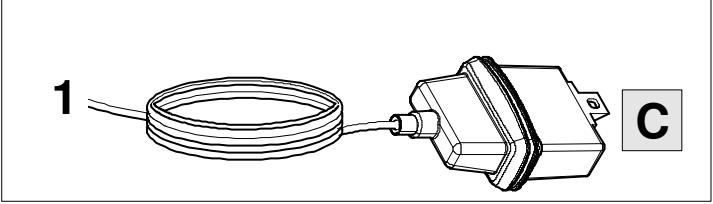
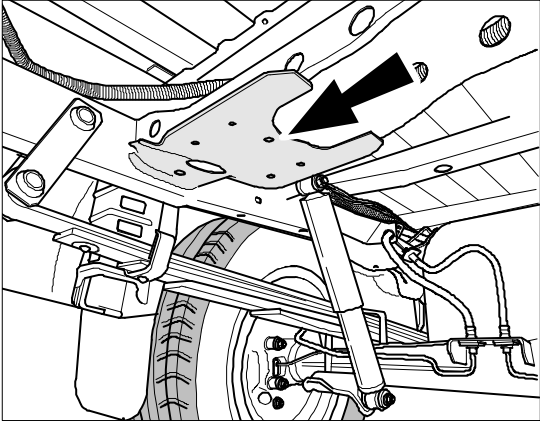


1



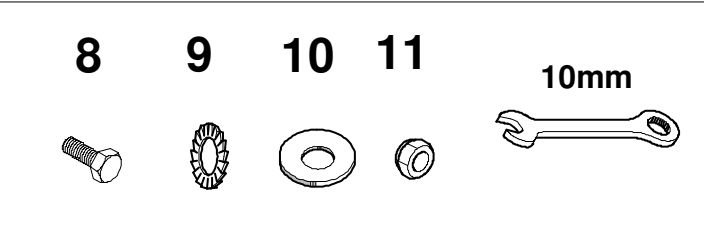
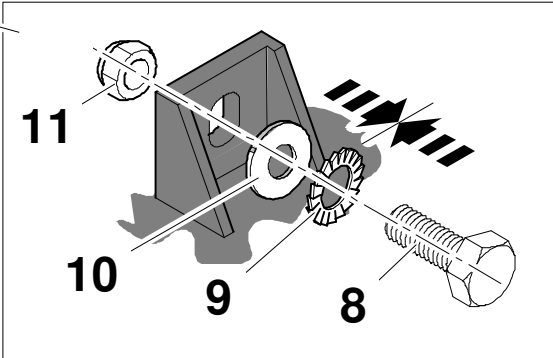
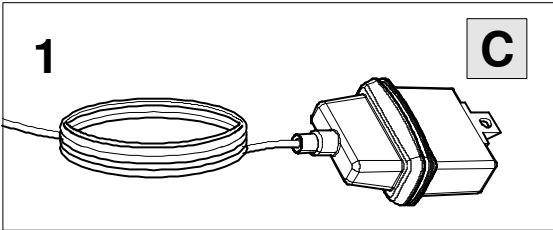
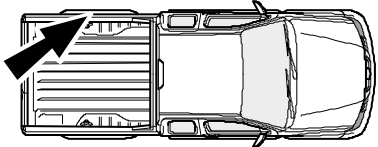
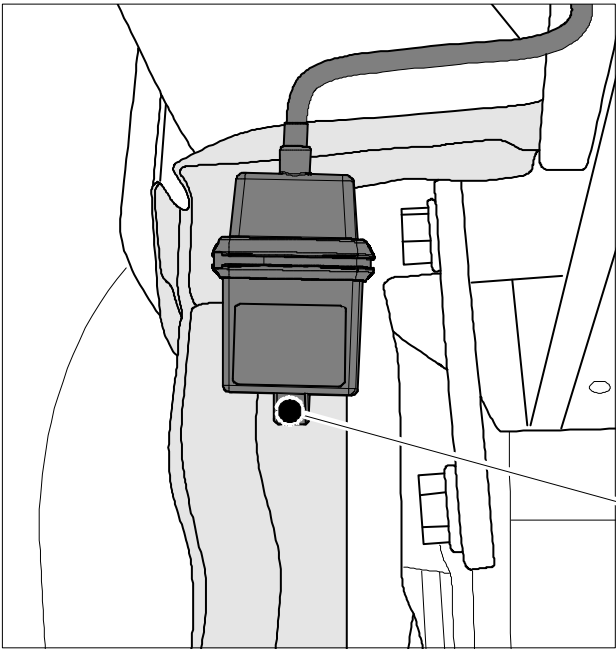
2

06/12 >> 06/20

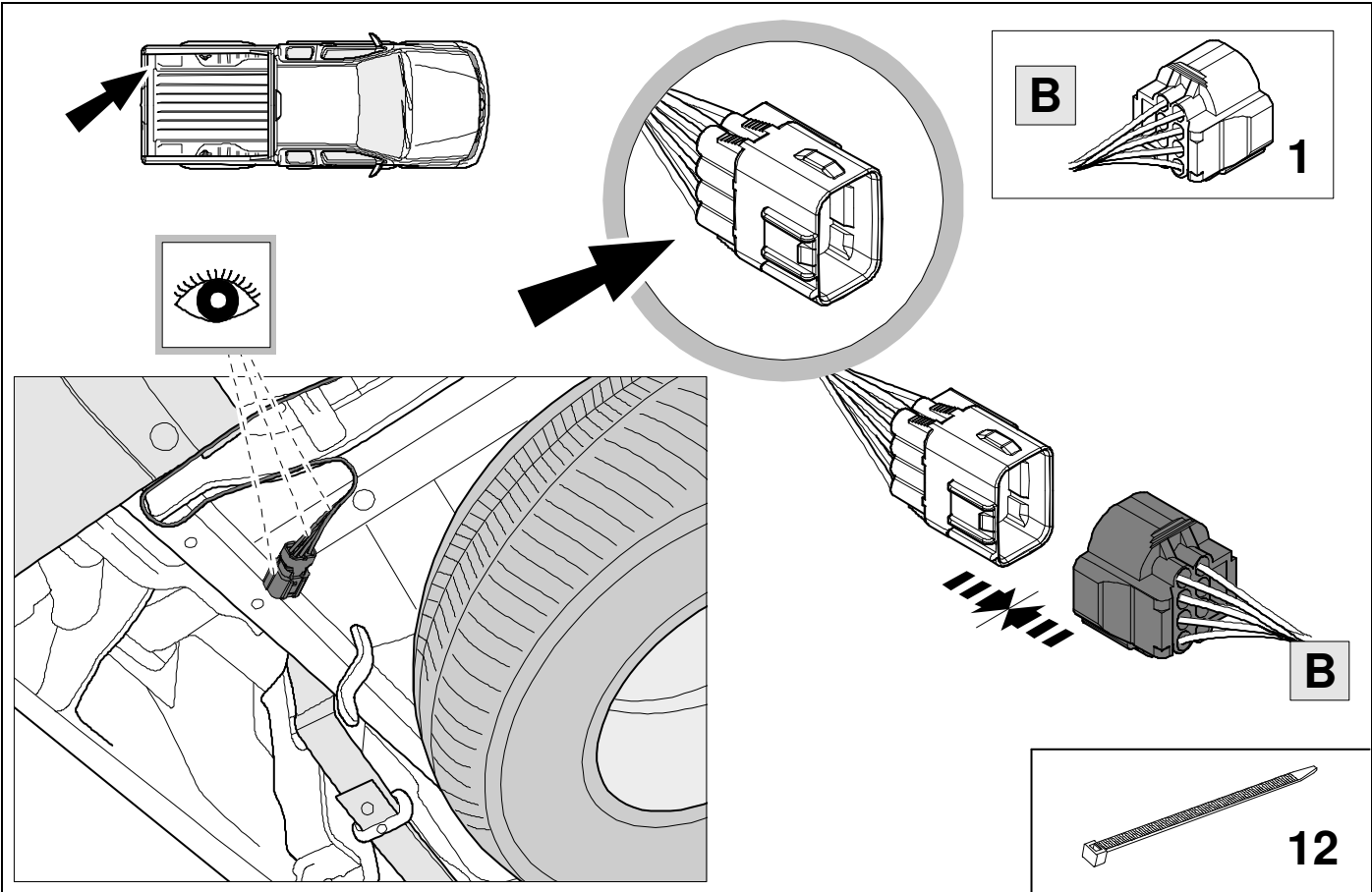


3

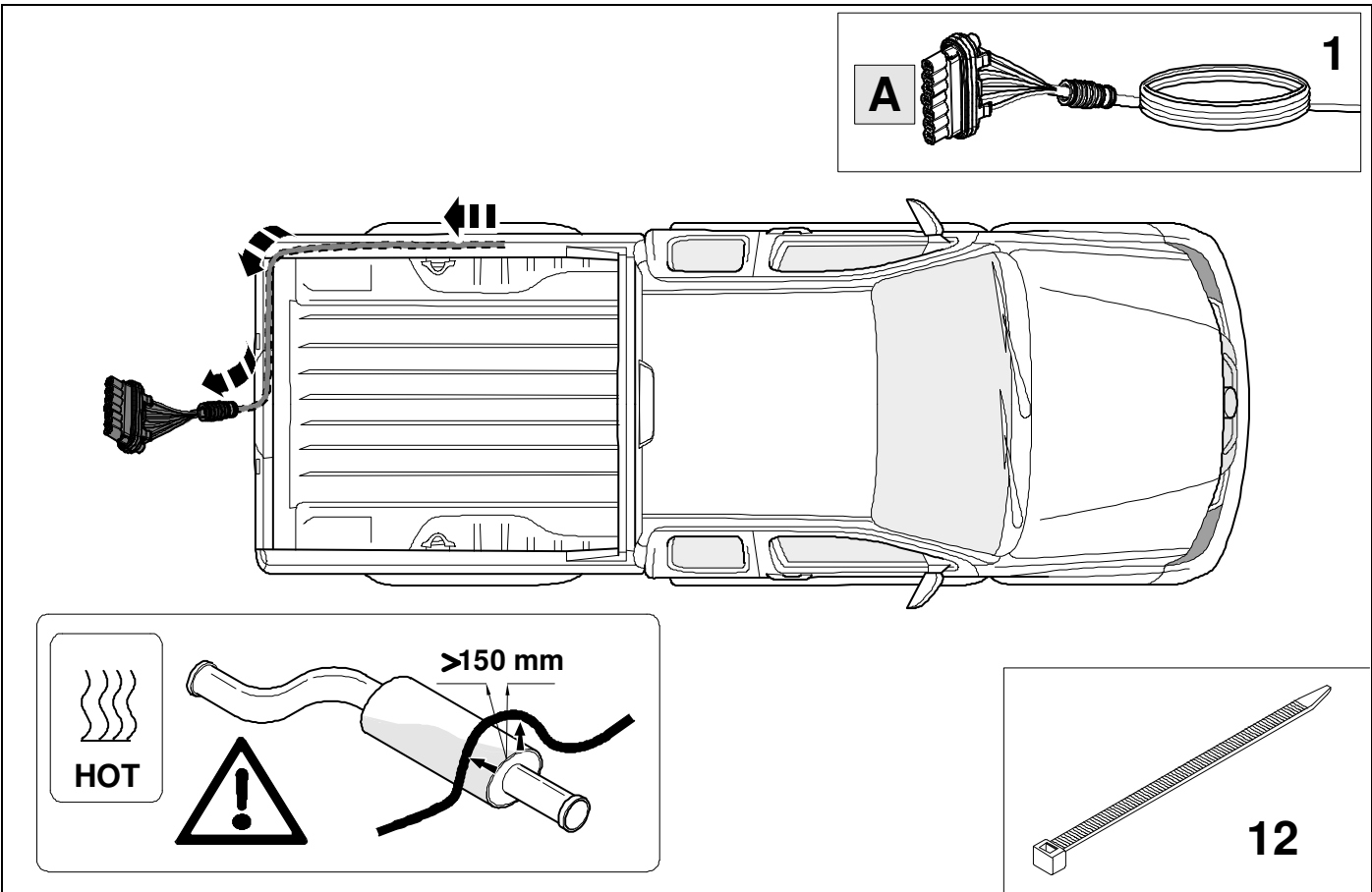
07/20 >>



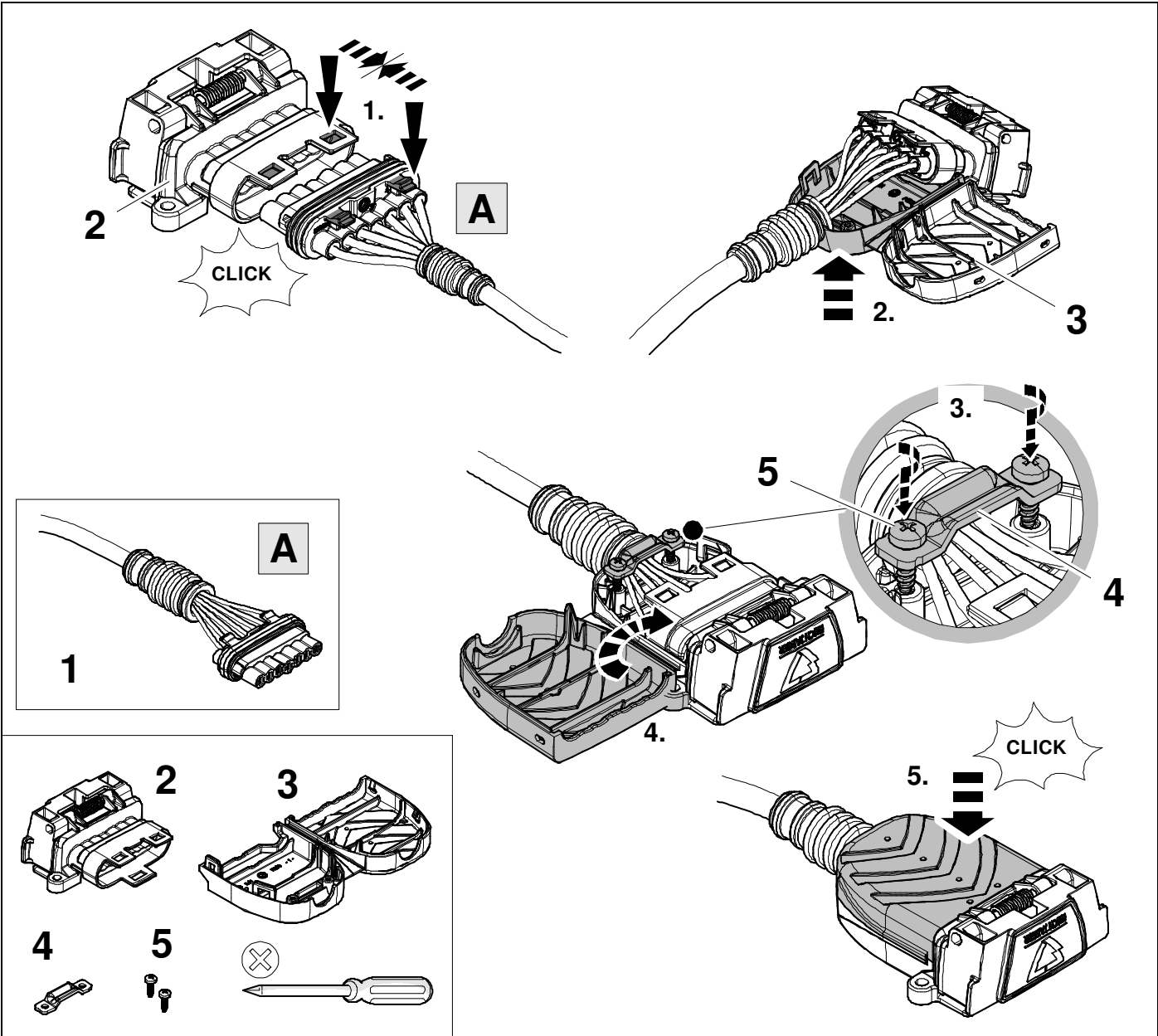
4



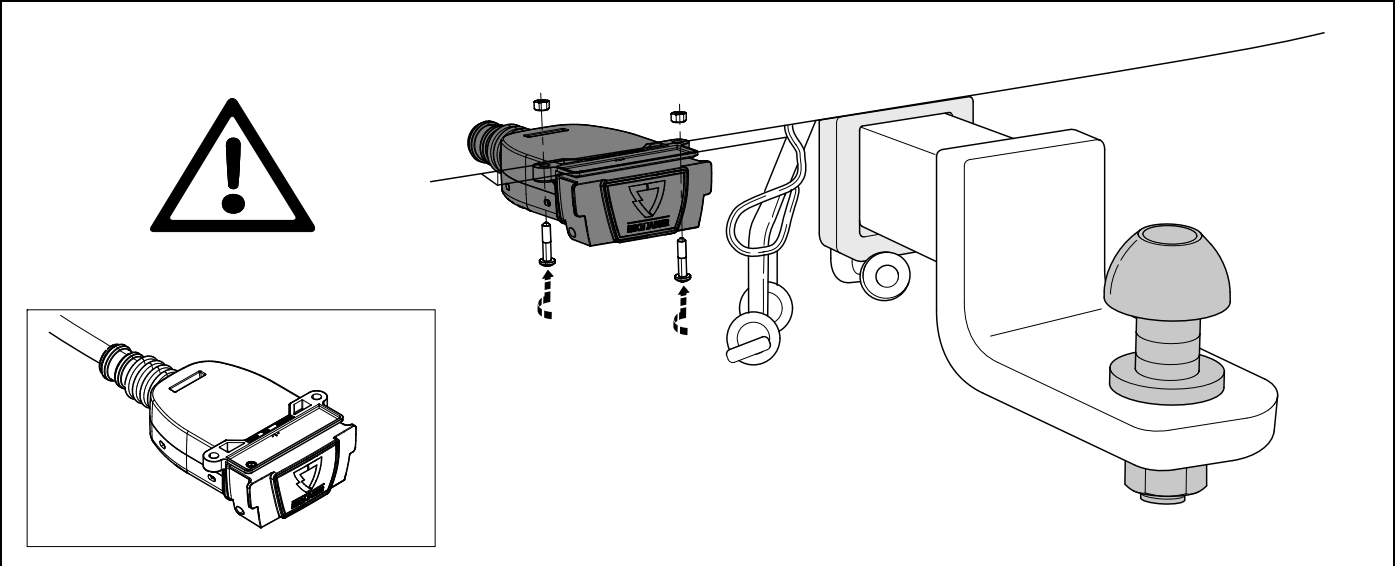
5



6



7



8



9

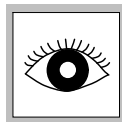
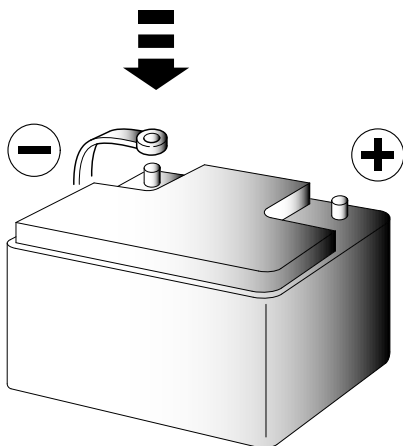
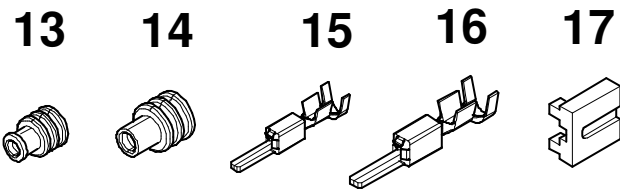
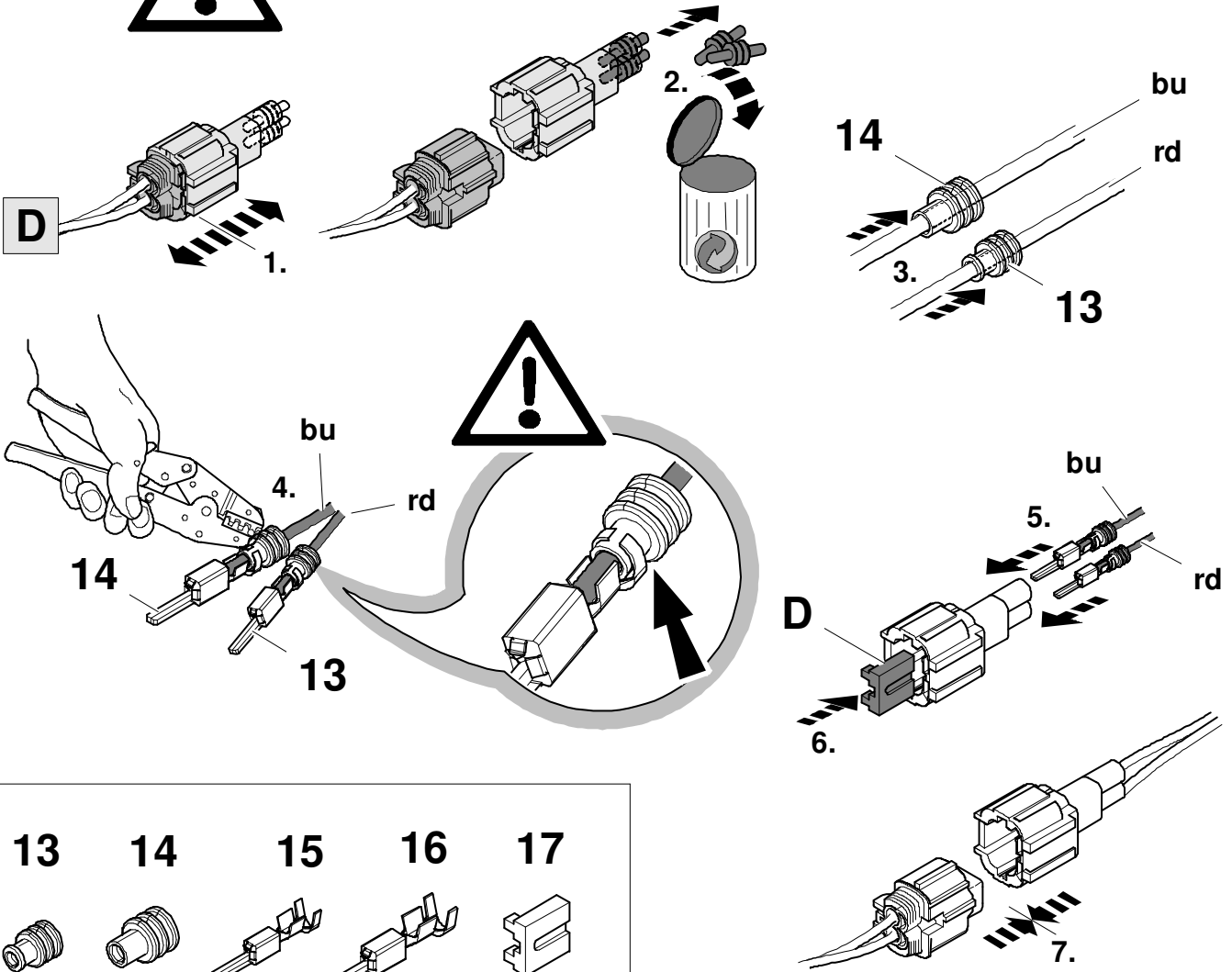
1	ye	
2	bk	
3	wh	
4	gn	
5	bu	
6	rd	
7	bn	

9	bk	wh	gy	gn	rd	bu	ye	bn	pu	or	no
---	----	----	----	----	----	----	----	----	----	----	----

	black	white	grey	green	red	blue	yellow	brown	purple	orange	not occupied
--	-------	-------	------	-------	-----	------	--------	-------	--------	--------	--------------

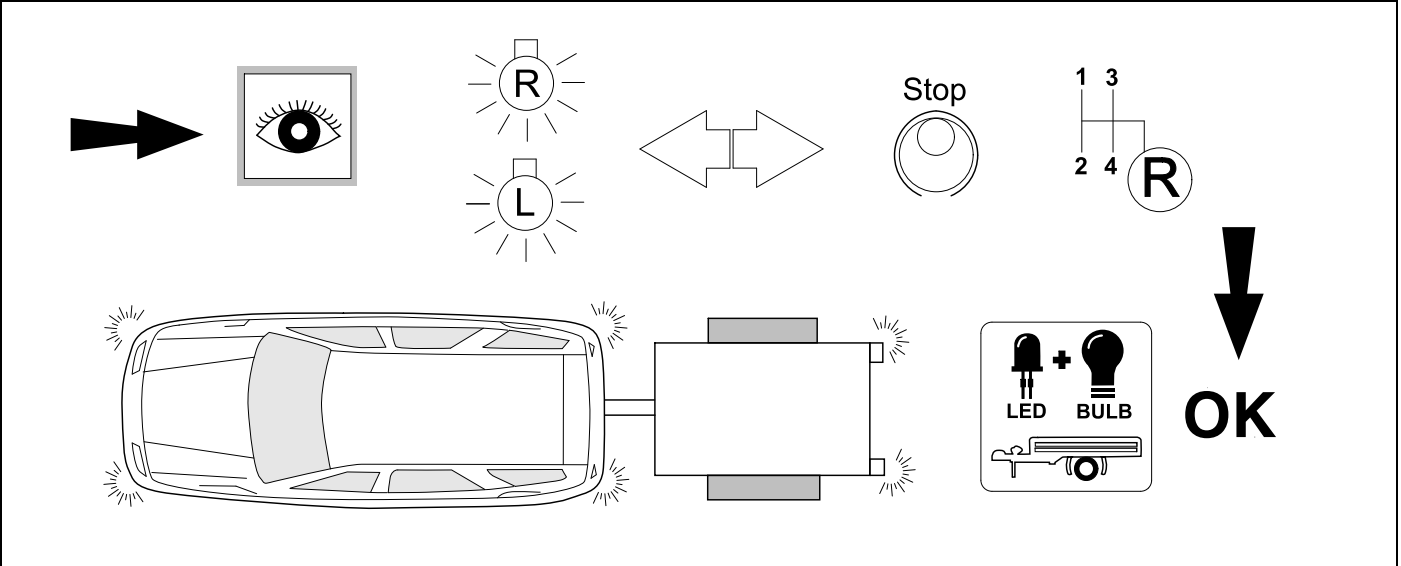


### Trailer Brake Preparation

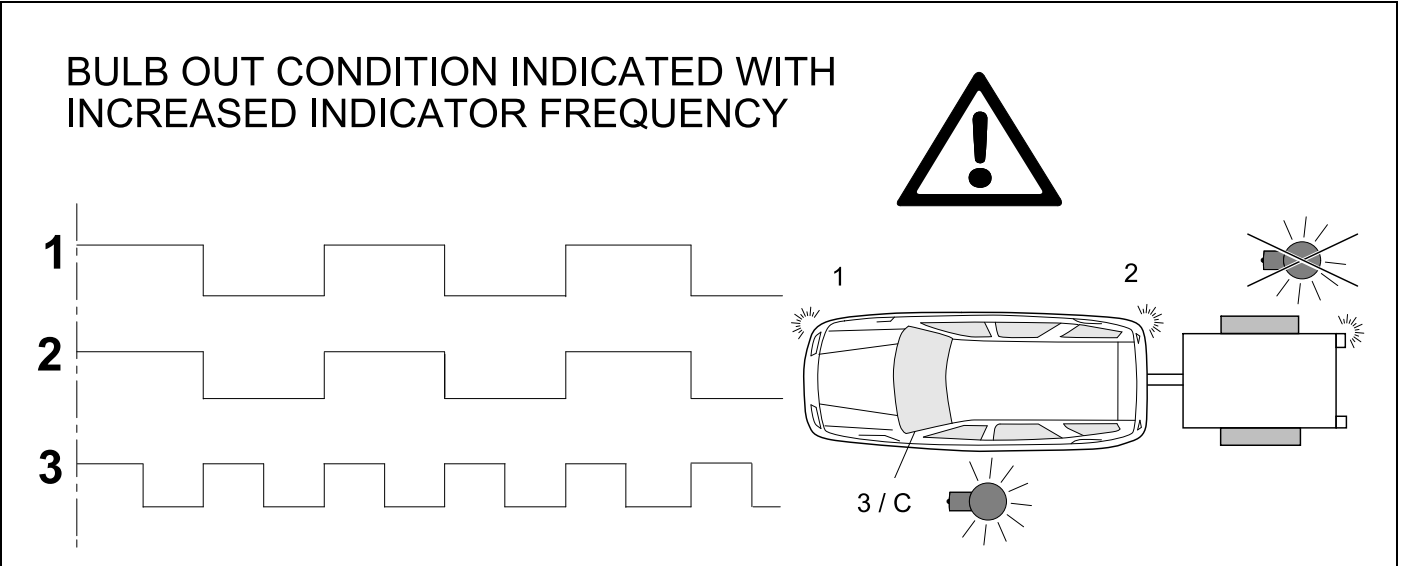




## 12 CHECK ALL LIGHTING FUNCTIONS

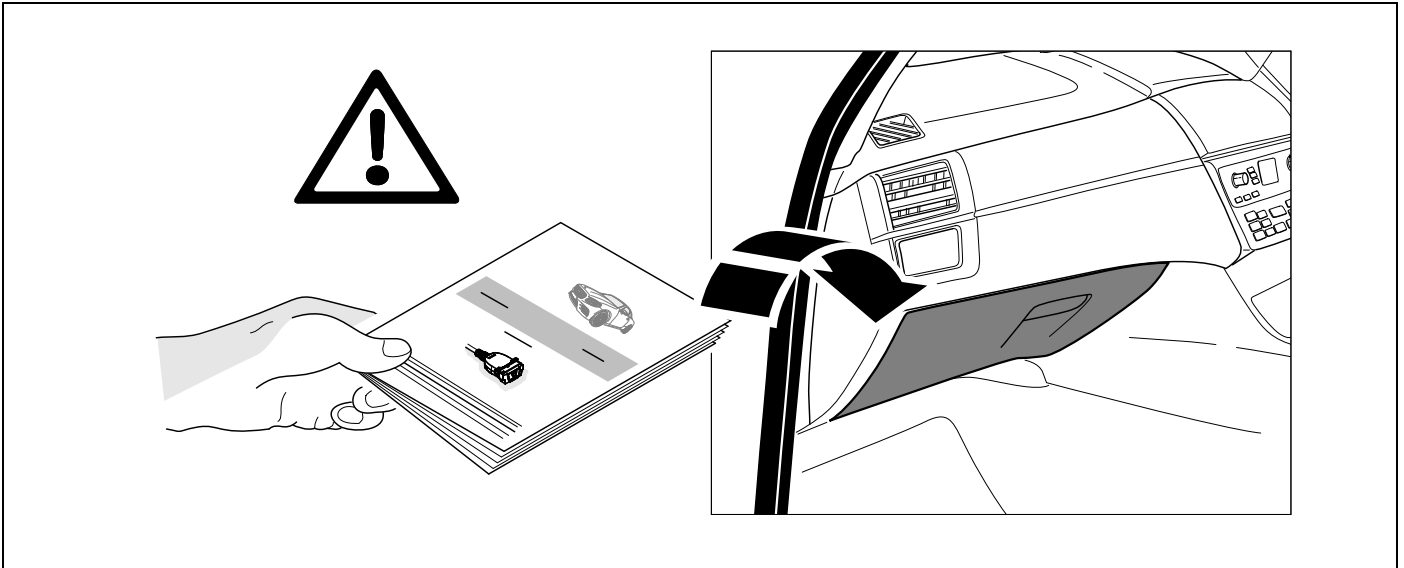


## 13 CHECK BULB OUT DETECTION









Subject to change in terms of construction, equipment and colour, and may contain errors.  
The information and illustrations are non-binding.