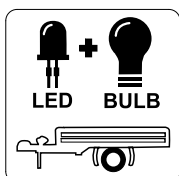
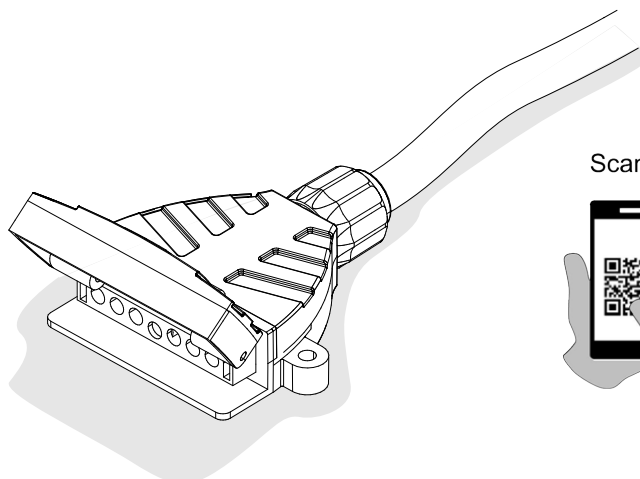


BMW 1-Serie 5-Türer / Door	F20	09/11 >> 02/14
BMW 1-Serie 3-Türer / Door	F21	09/12 >> 02/14
BMW 2-Serie Coupe	F22	11/13 >> 02/14



750018



Scan this for our full E-Kit catalogue



Installation instructions

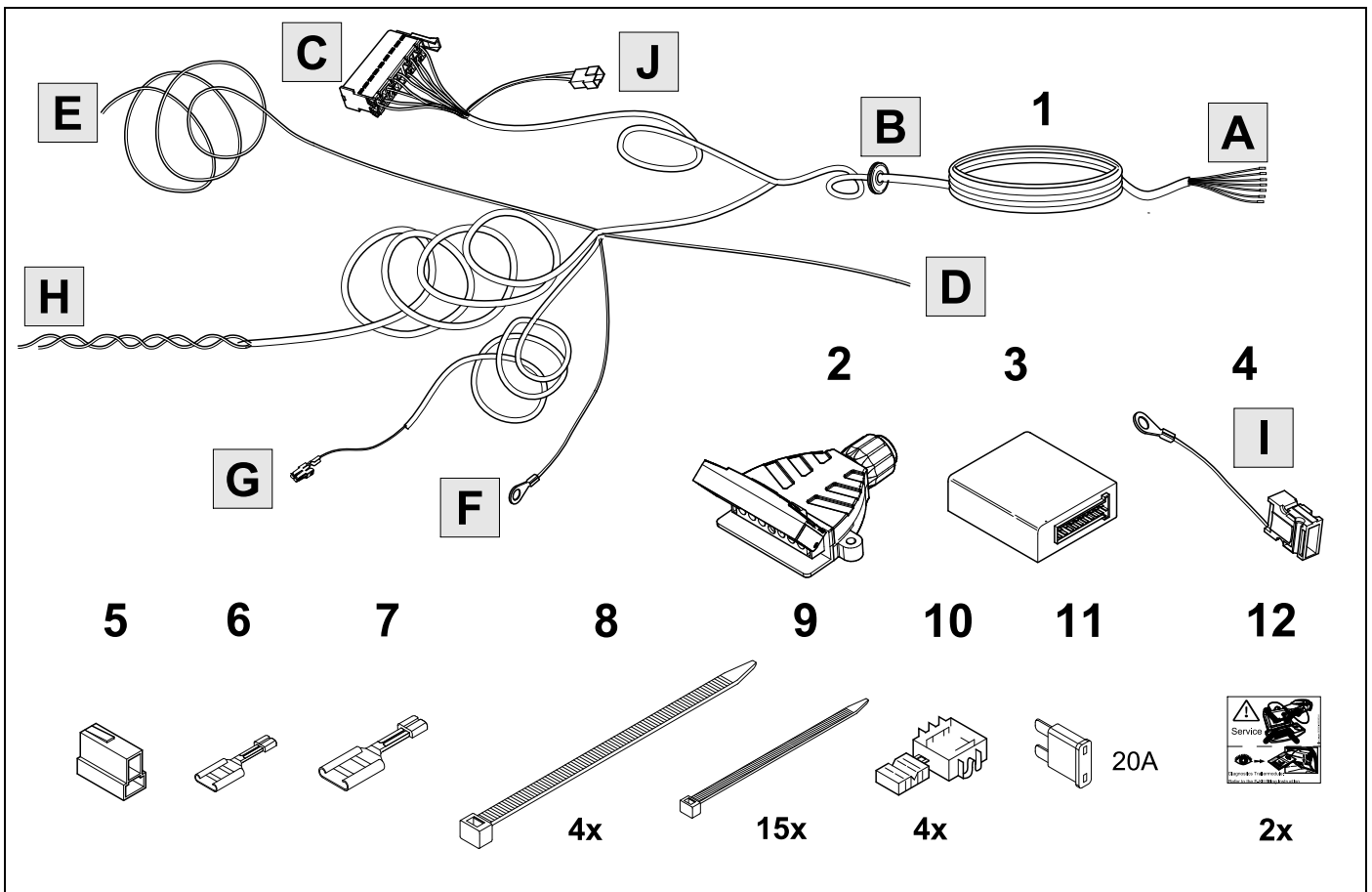
Reference:

The following information must be reviewed before beginning the assembly:

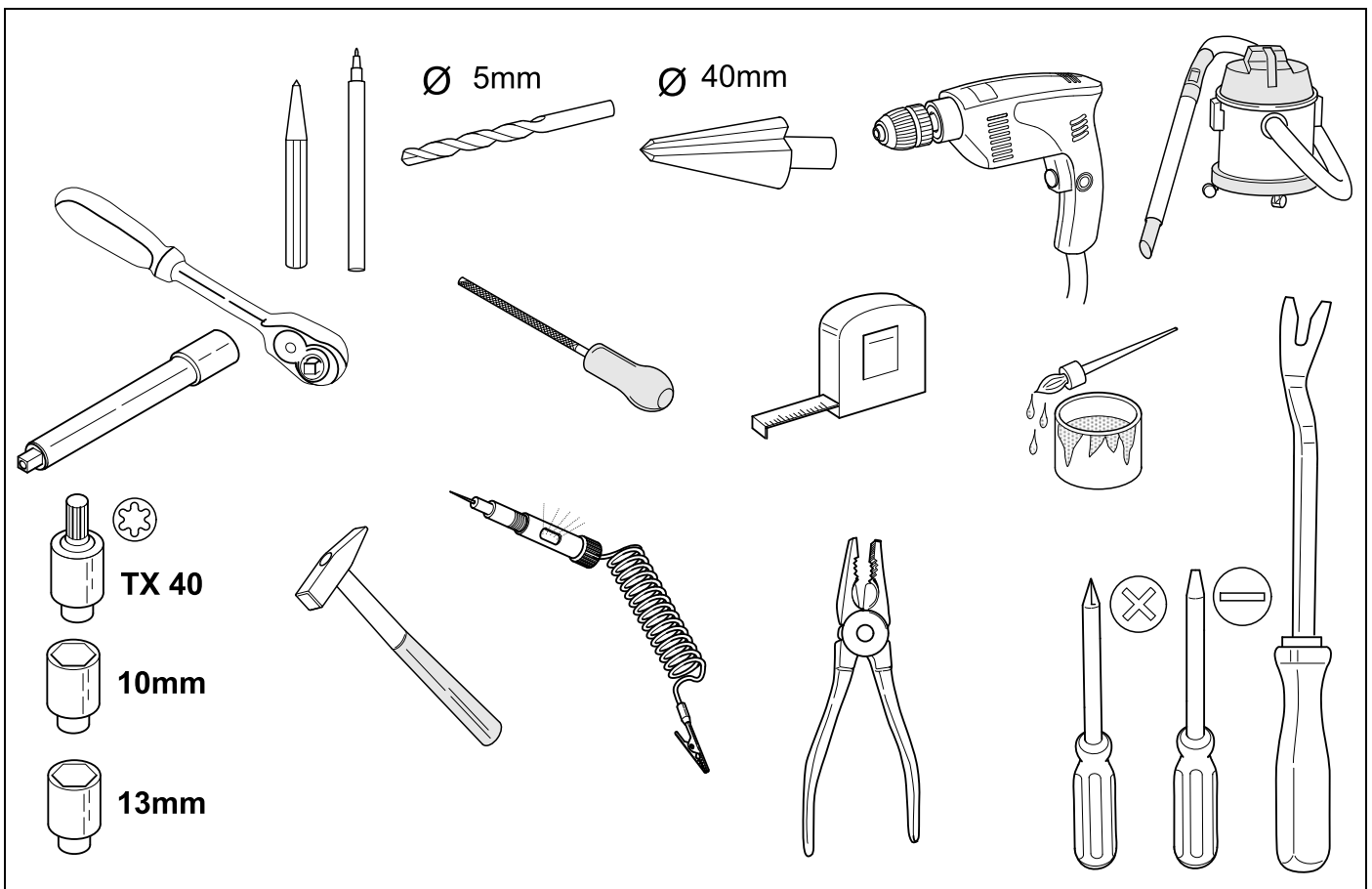


The installation instructions are to be thoroughly read.
The installation should be carried out by qualified personnel with the relevant technical knowledge.
The vehicle manufacturers' current technical notices and information on retrofitting must be followed.
The removal and replacement instructions found in the current repair manuals must be followed.
It must be ensured that the vehicle is technically suitable for the installation of a trailer hitch.

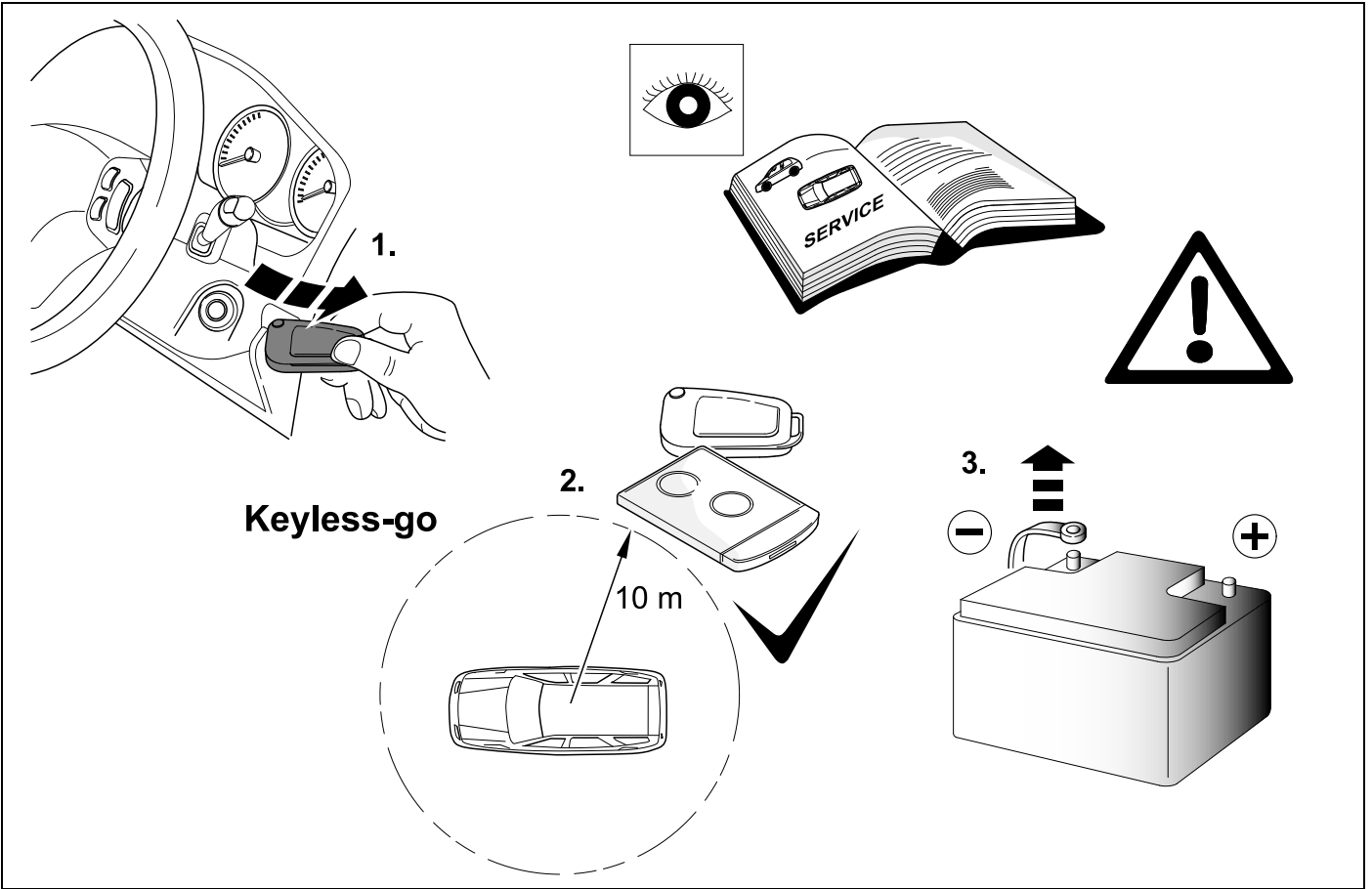
KIT



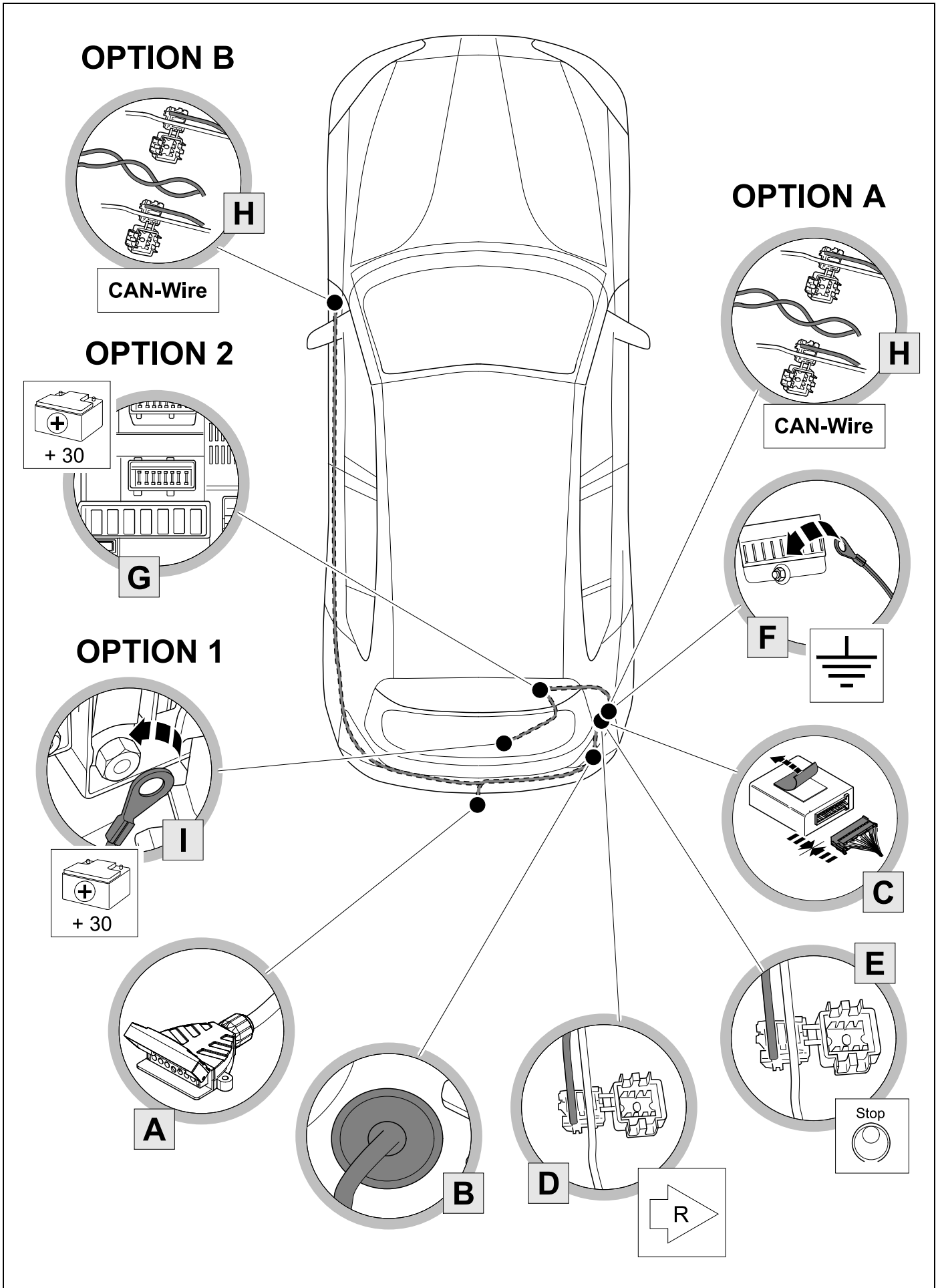
TOOLS

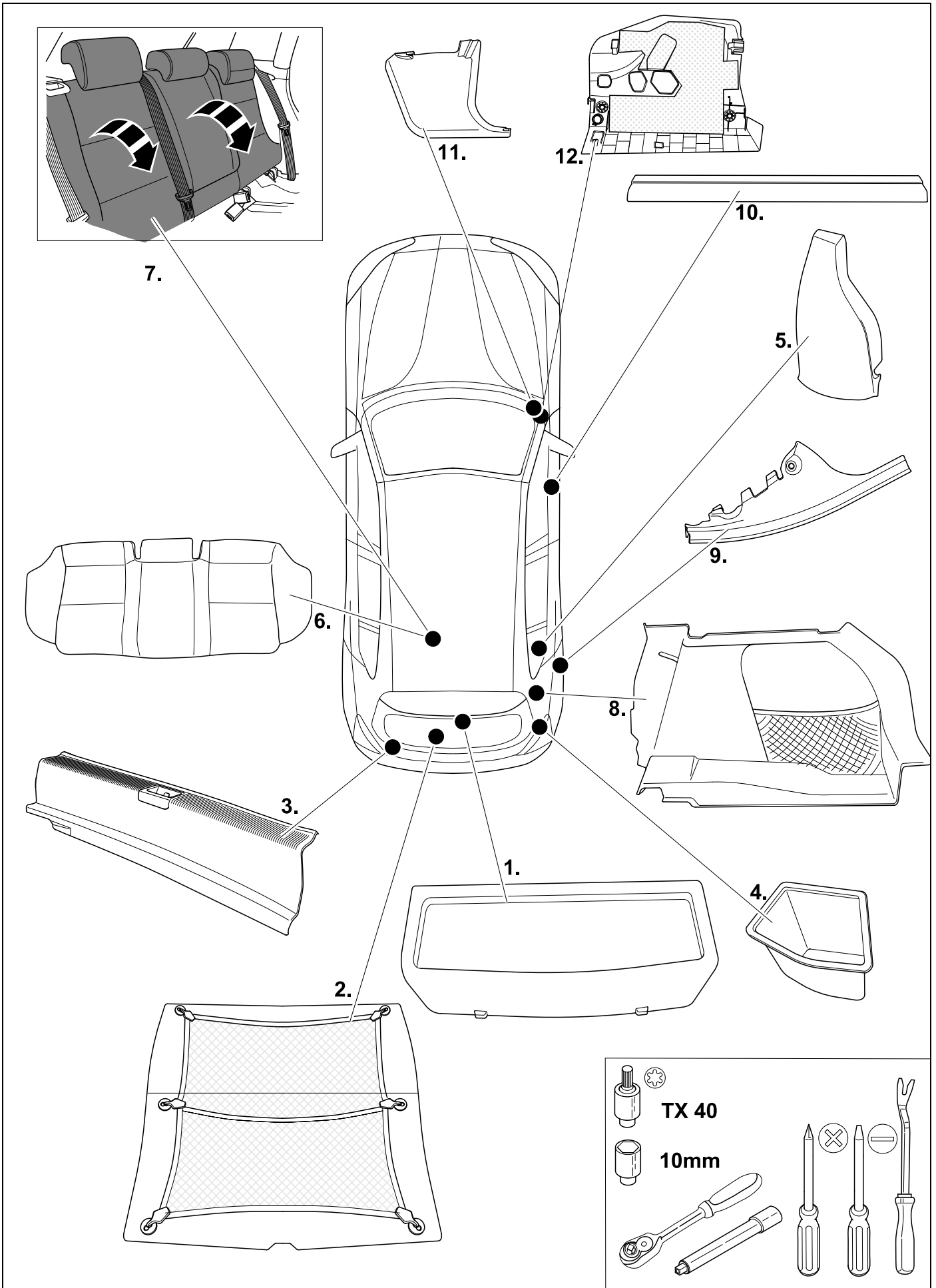


1

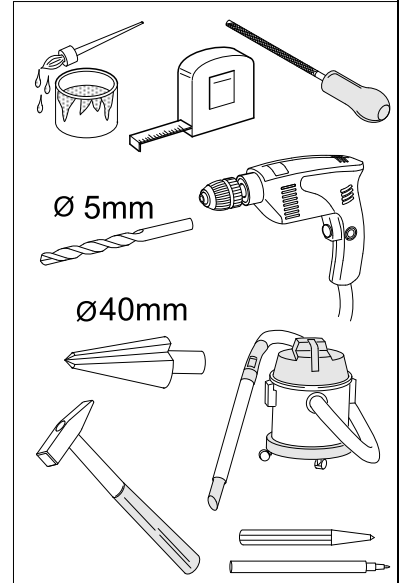
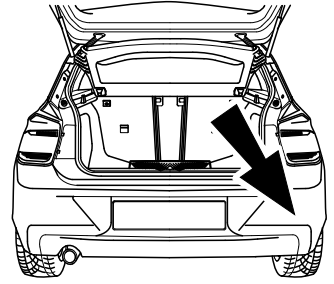
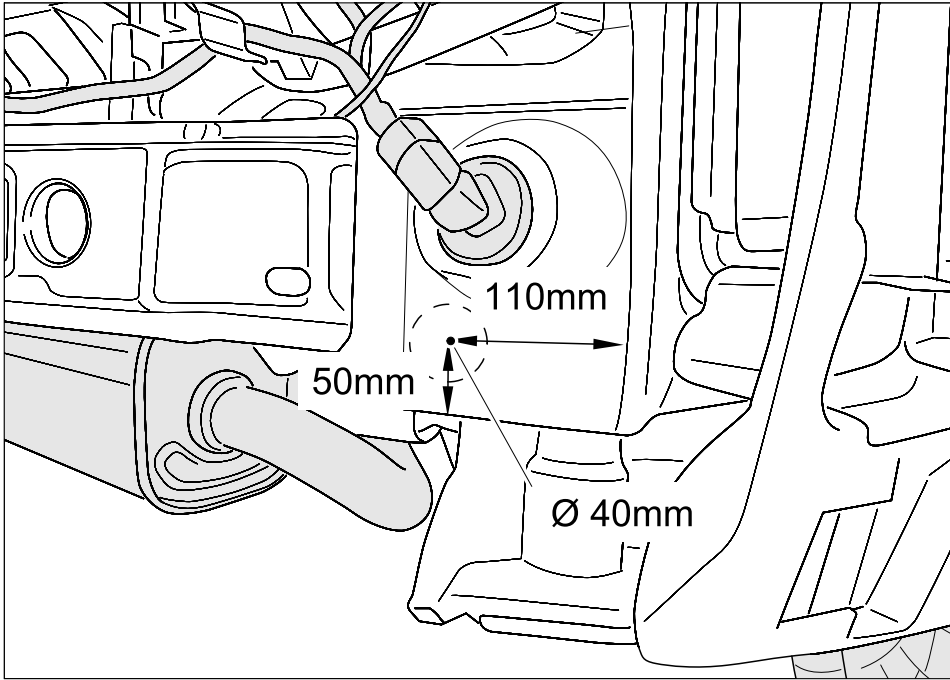


2 ROUTING

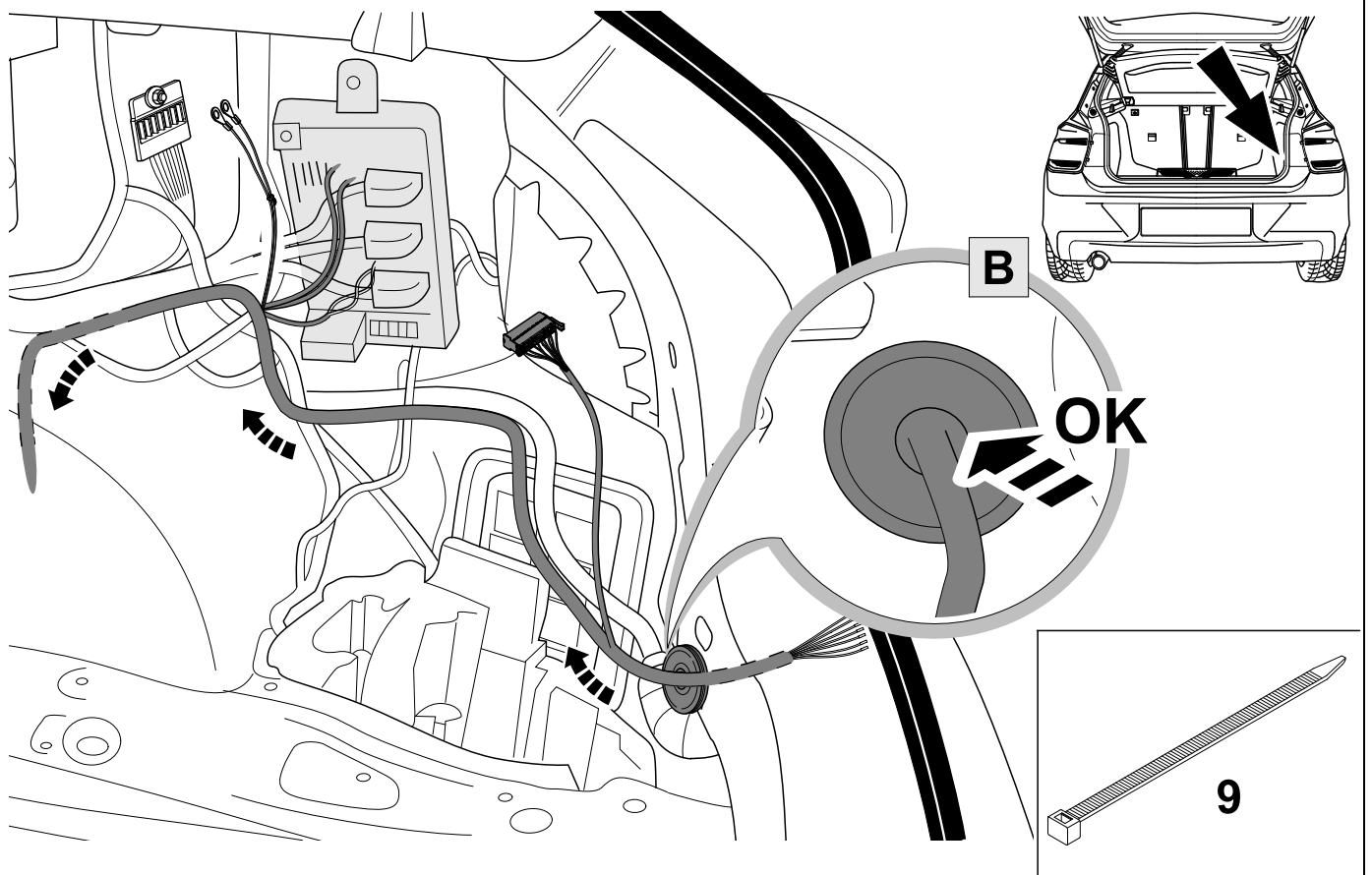




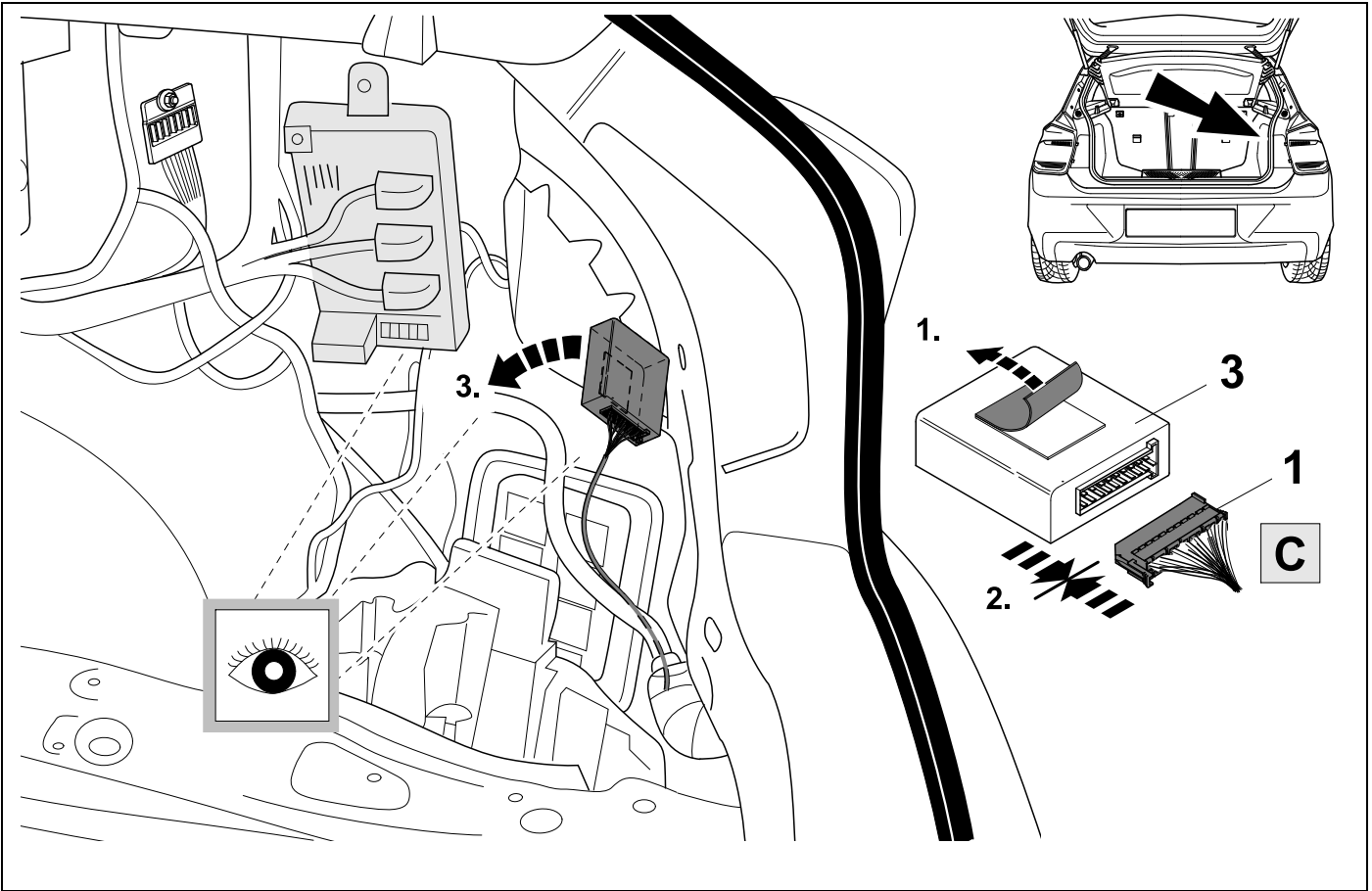
4



5



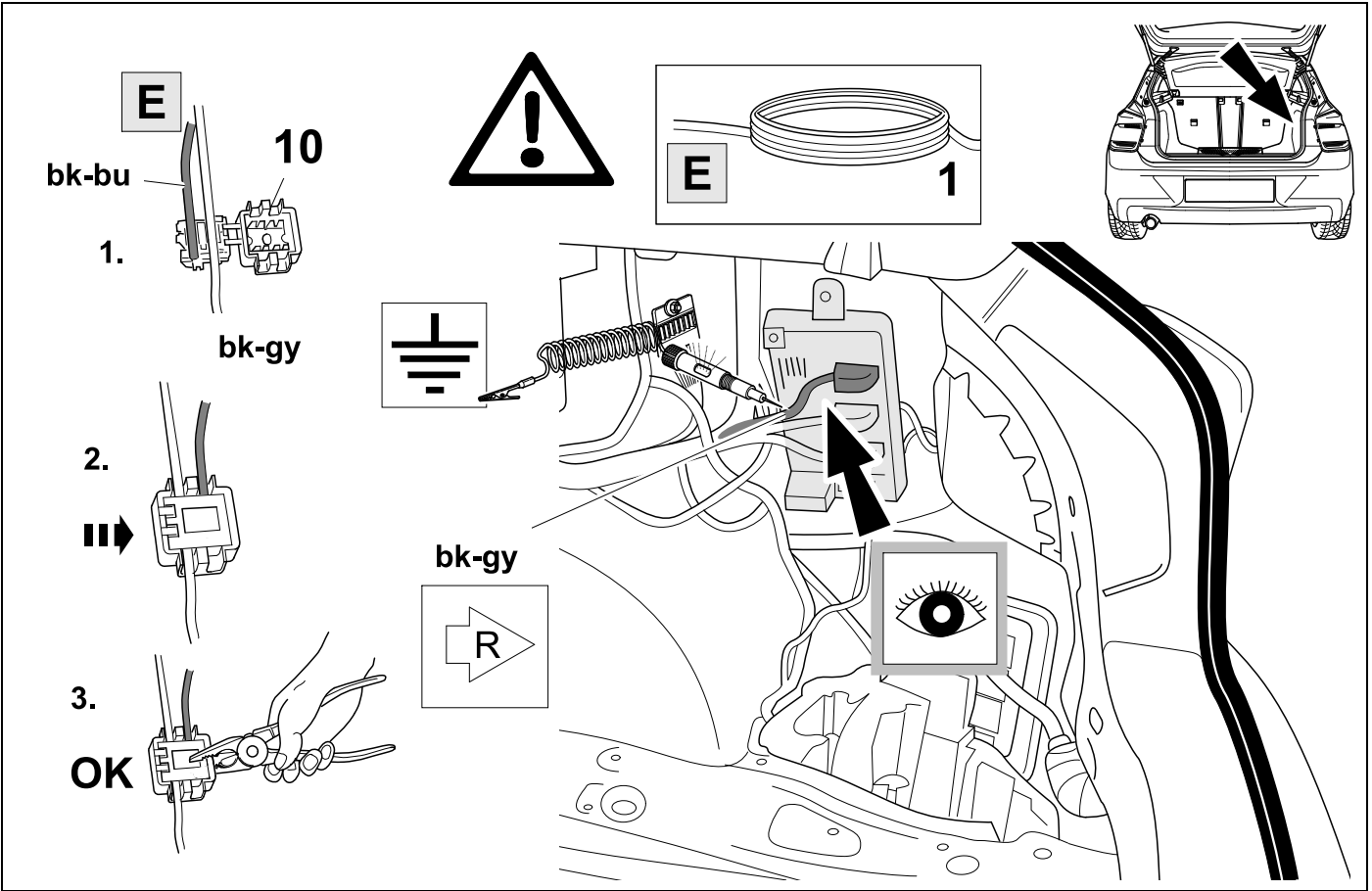
6

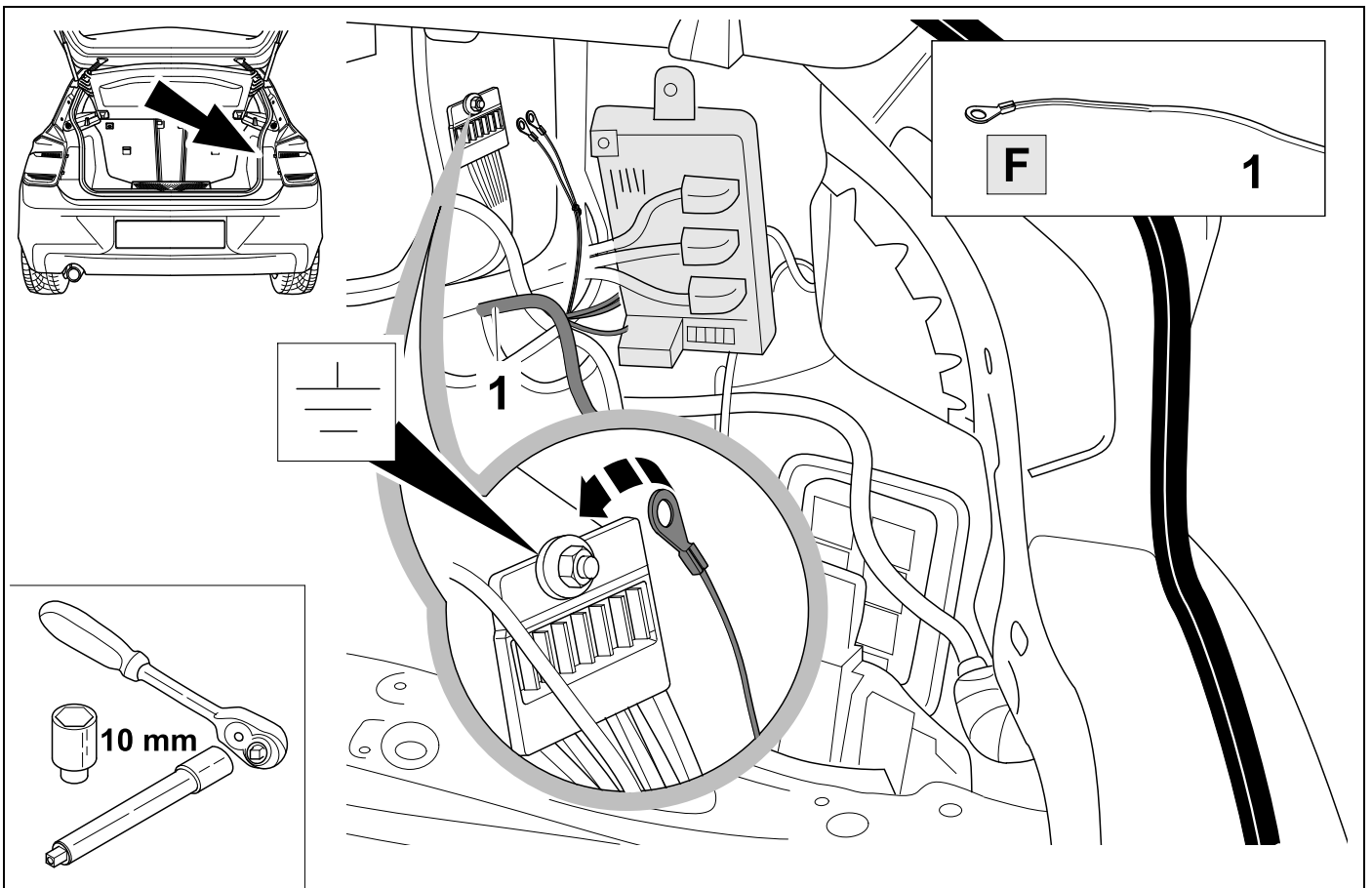
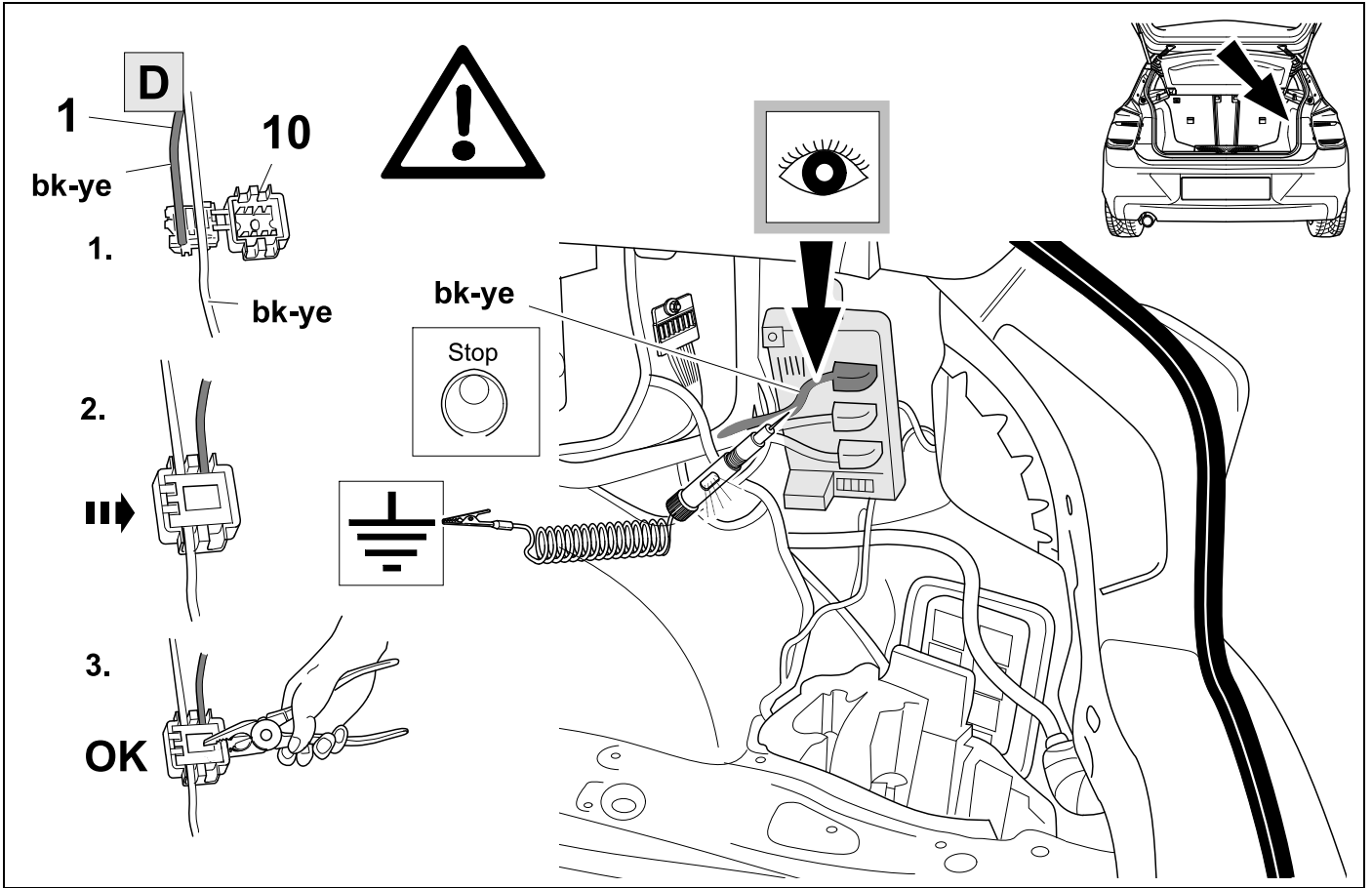


7



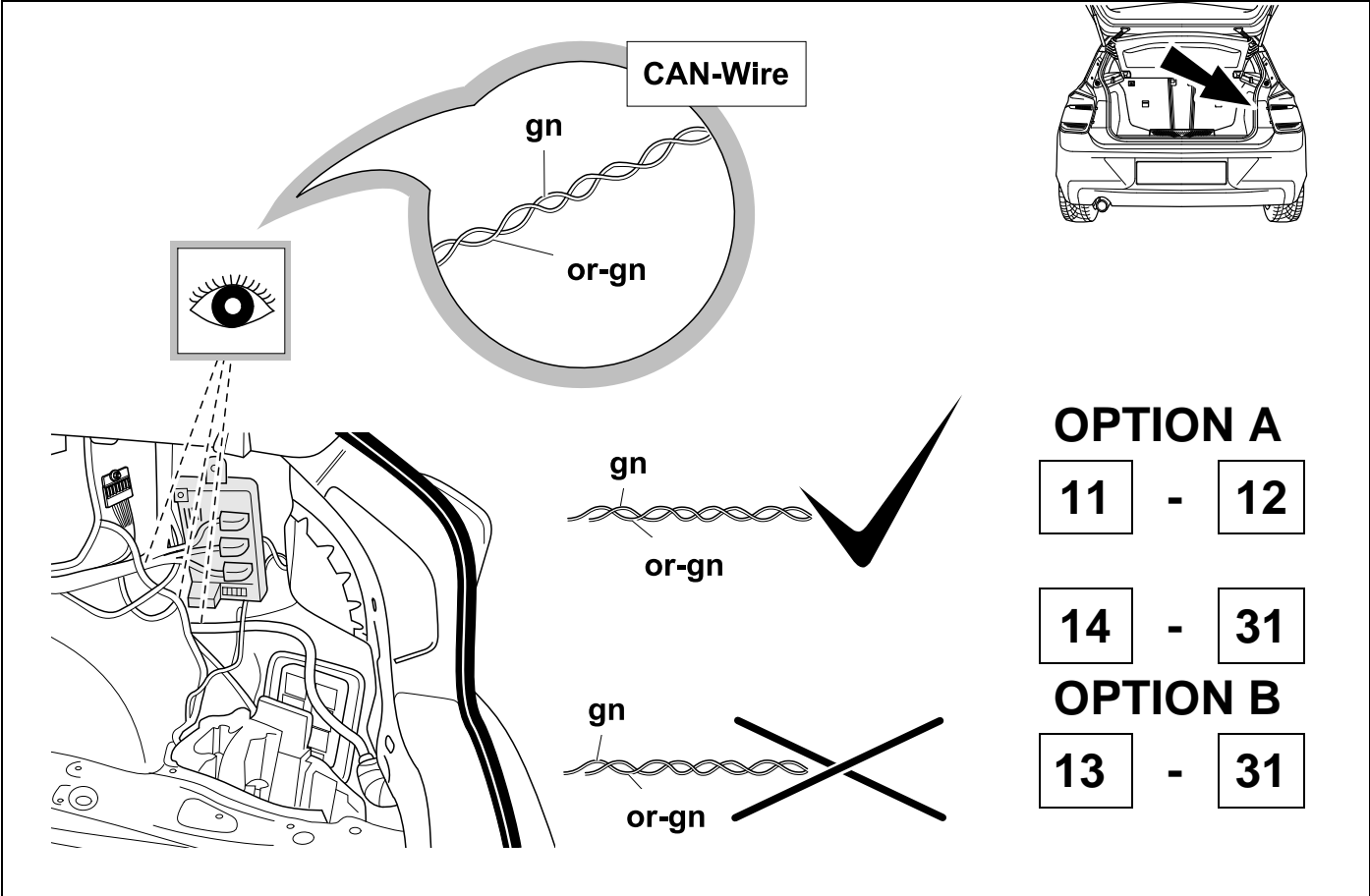
23





10

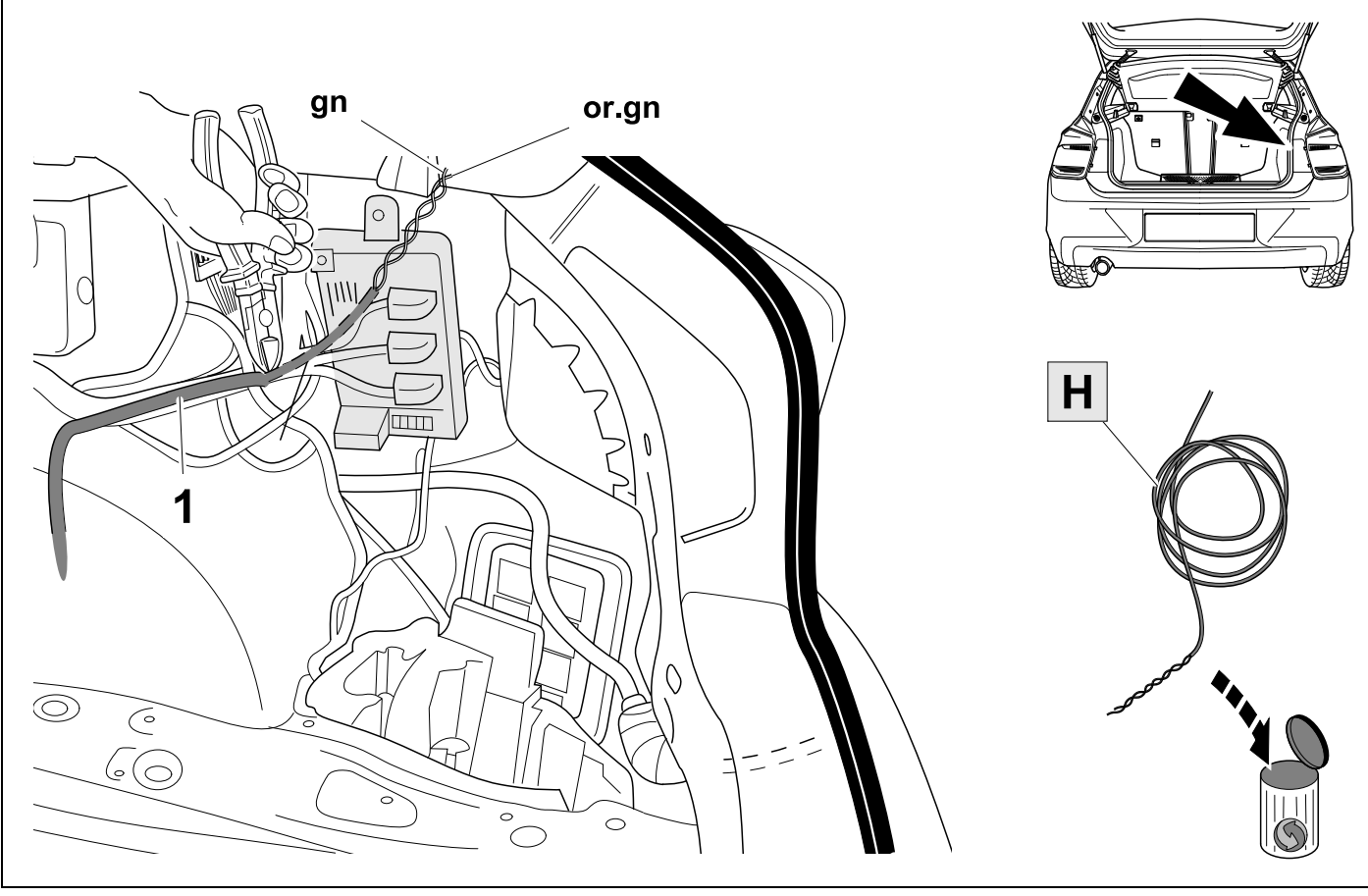
👁️ ⇒ 23

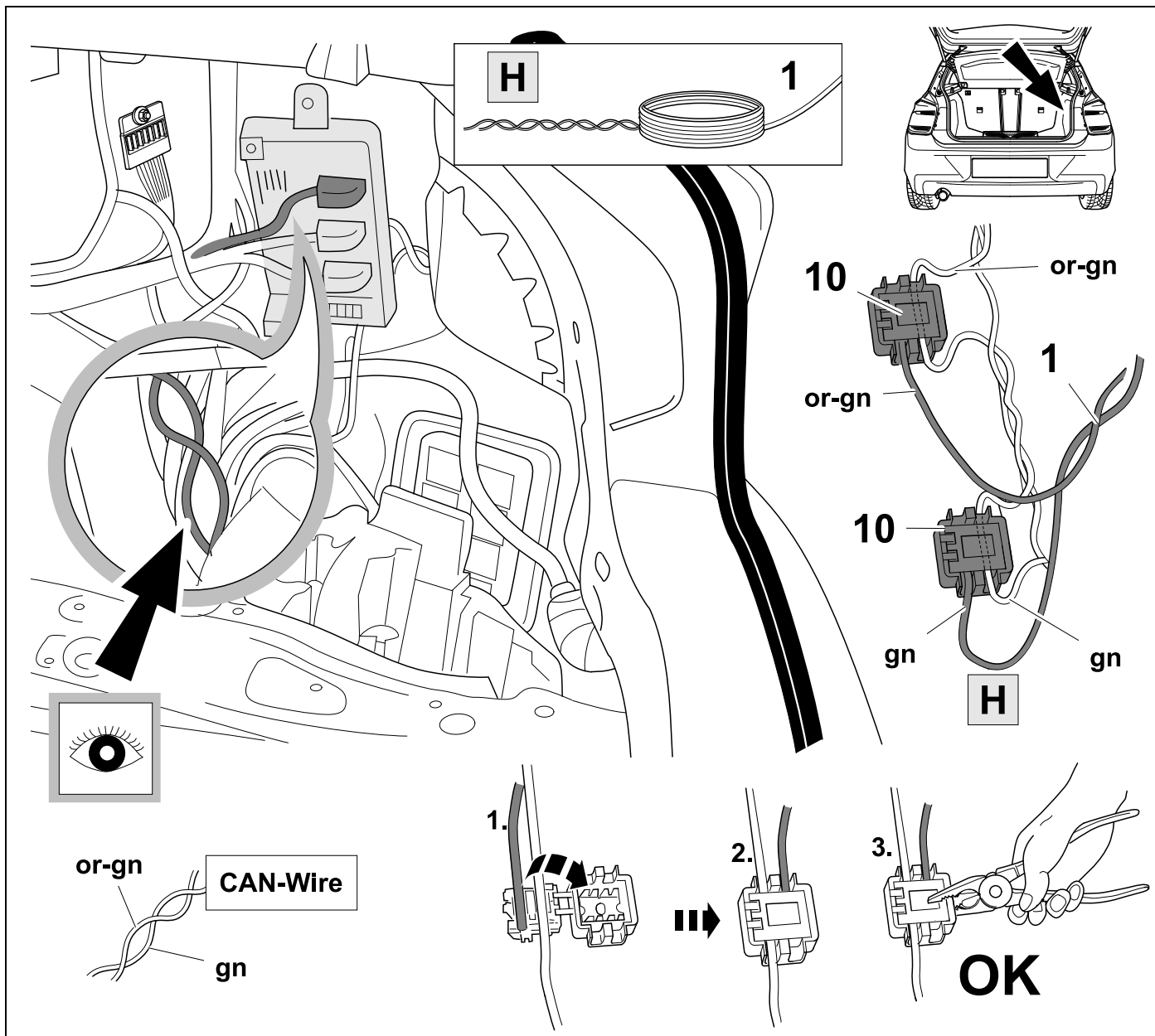


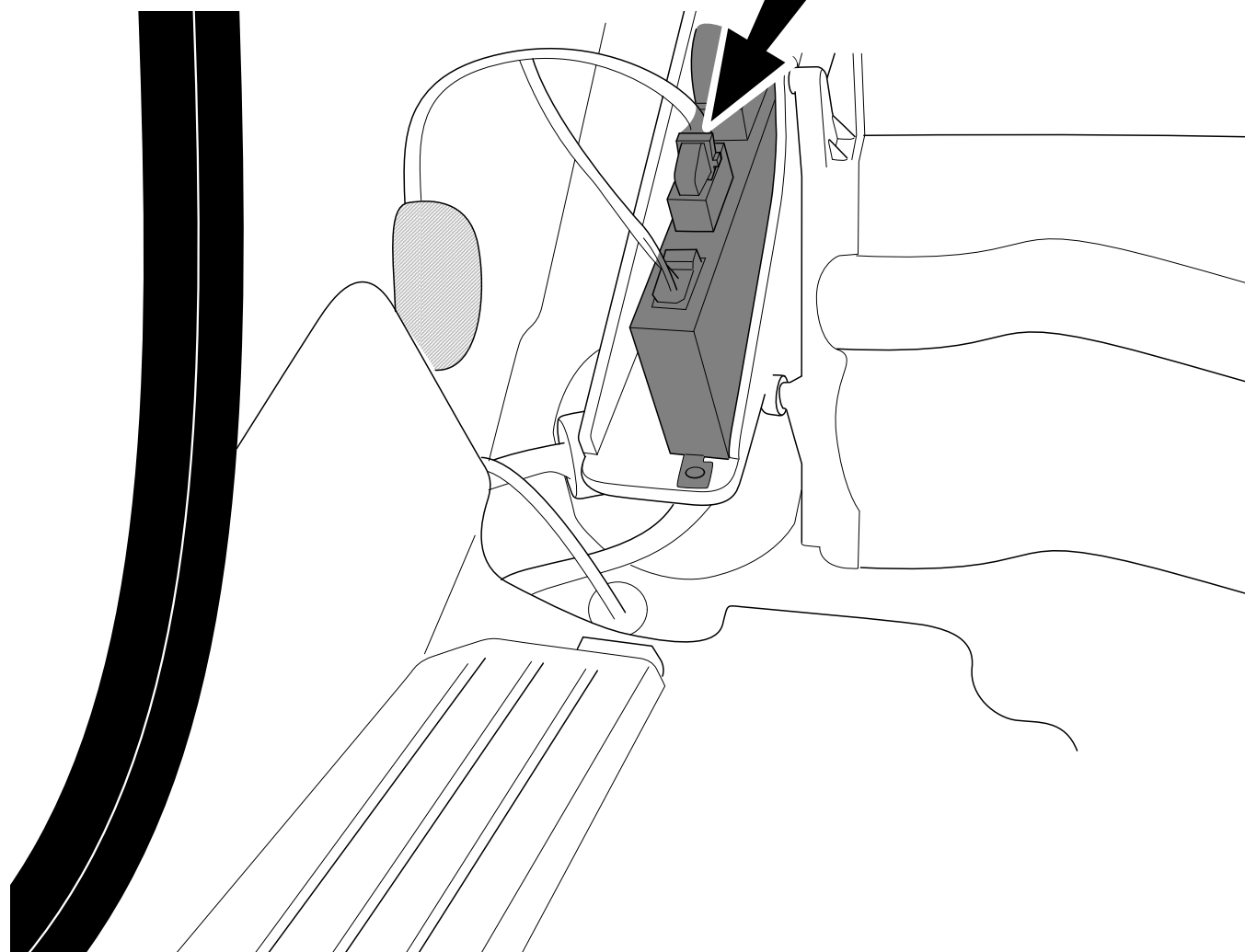
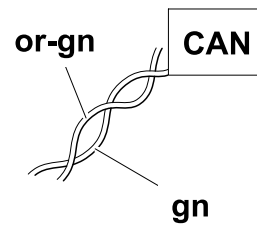
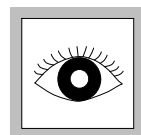
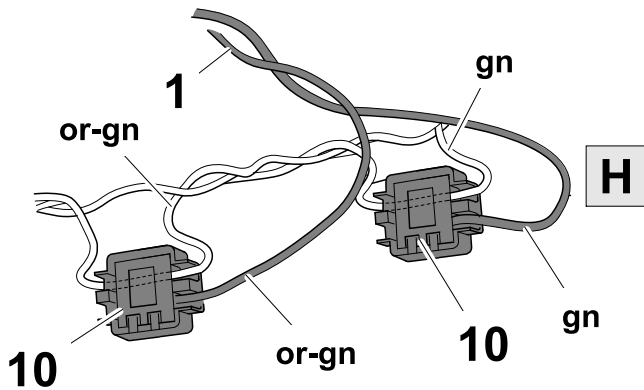
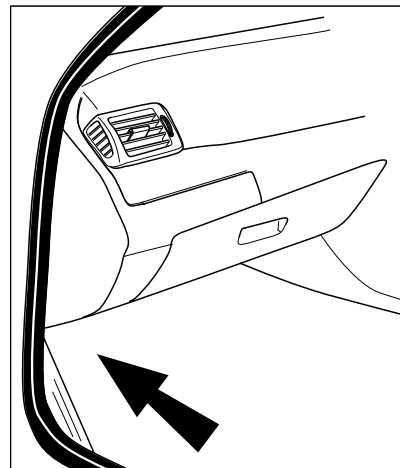
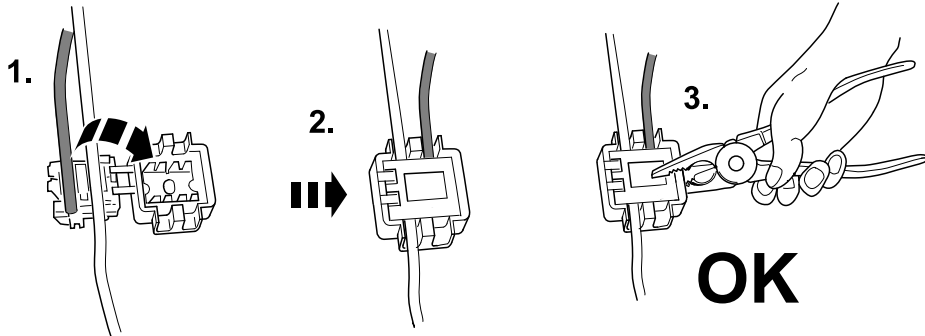
11

OPTION A

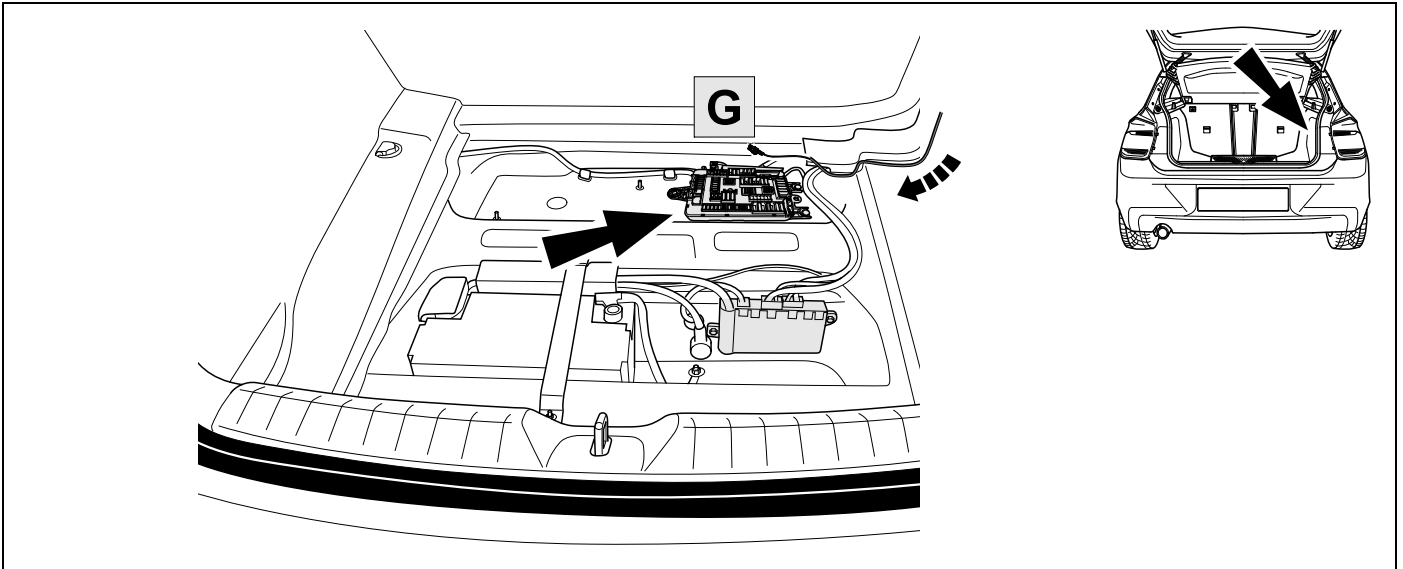
👁️ ⇒ 23







14



15

The diagram shows a fuse block with two options for fuse placement. Option 1 is labeled 'OPTION 1' and shows a fuse in position '16'. Option 2 is labeled 'OPTION 2' and shows a fuse in position '17 - 31'. Both options include an eye icon, a circular inset showing the fuse in the slot, and a smiley face icon. The text 'F113' is associated with Option 1, and 'F113 20A' is associated with Option 2.

OPTION 1
16
19 - 31
F113

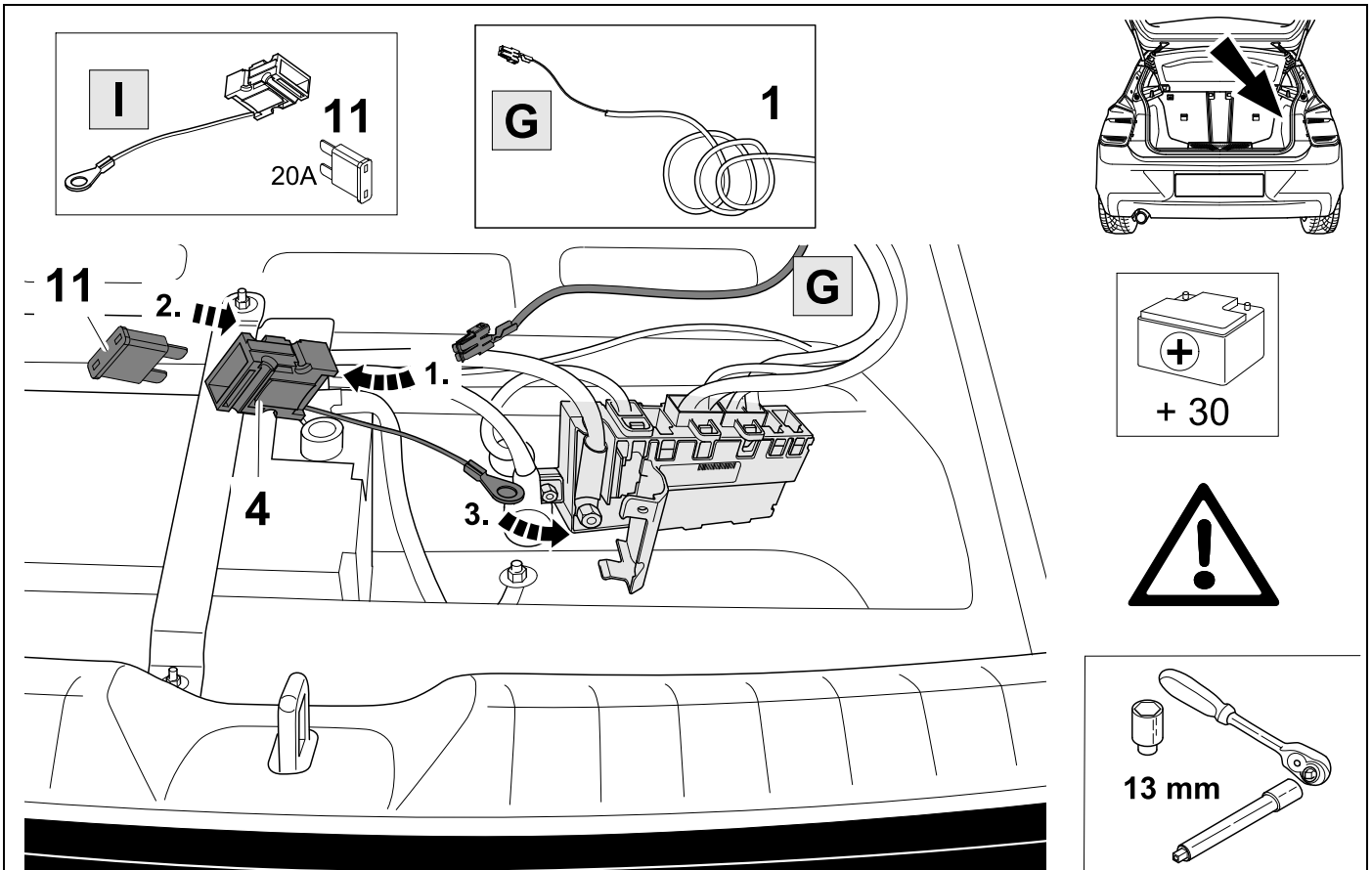
OPTION 2
17 - 31
F113 20A

16

OPTION 1



28

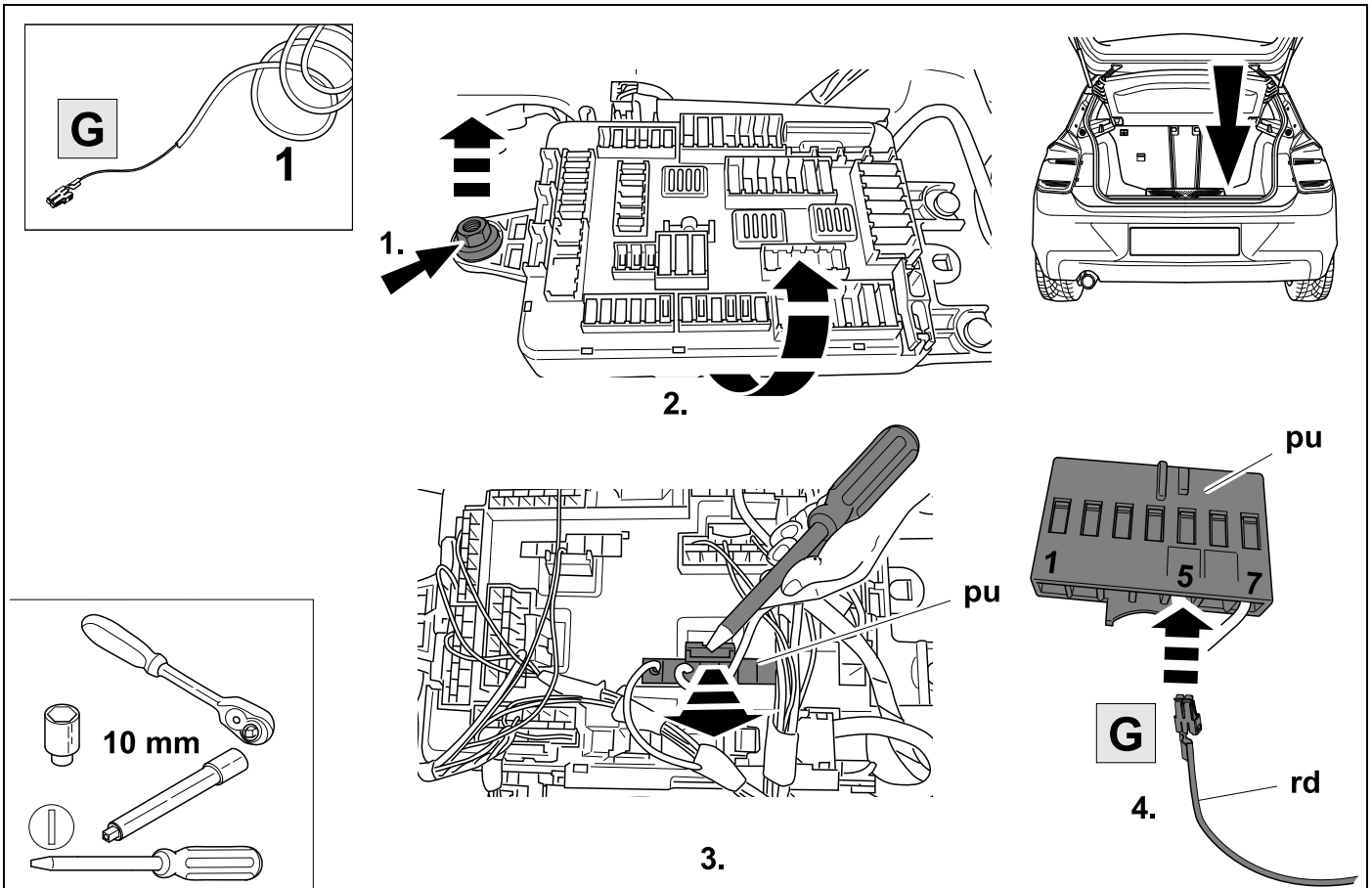


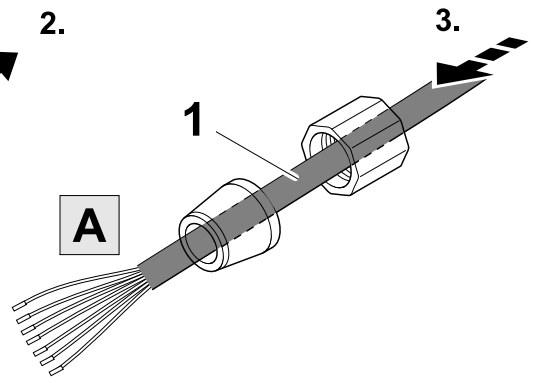
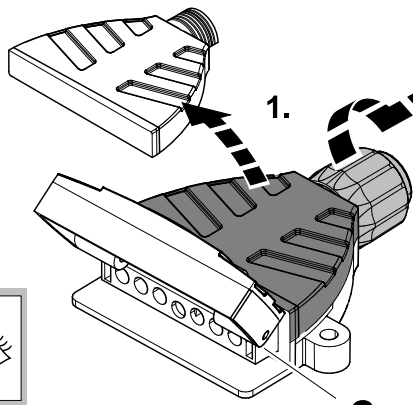
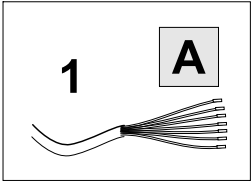
17

OPTION 2

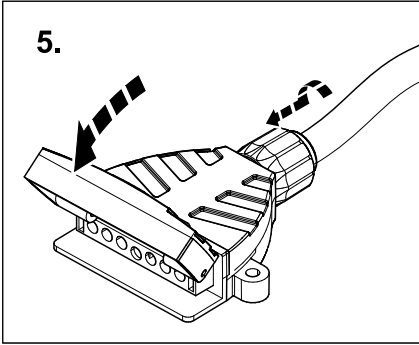
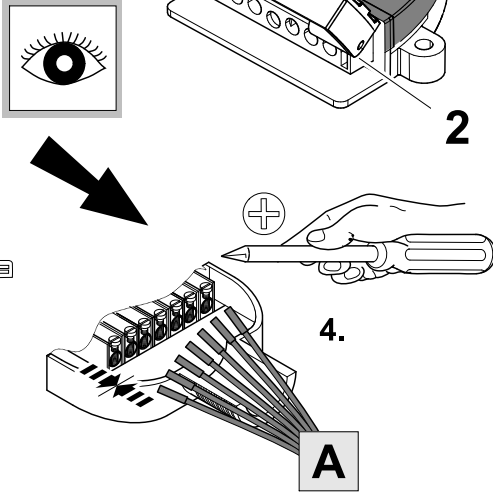


23

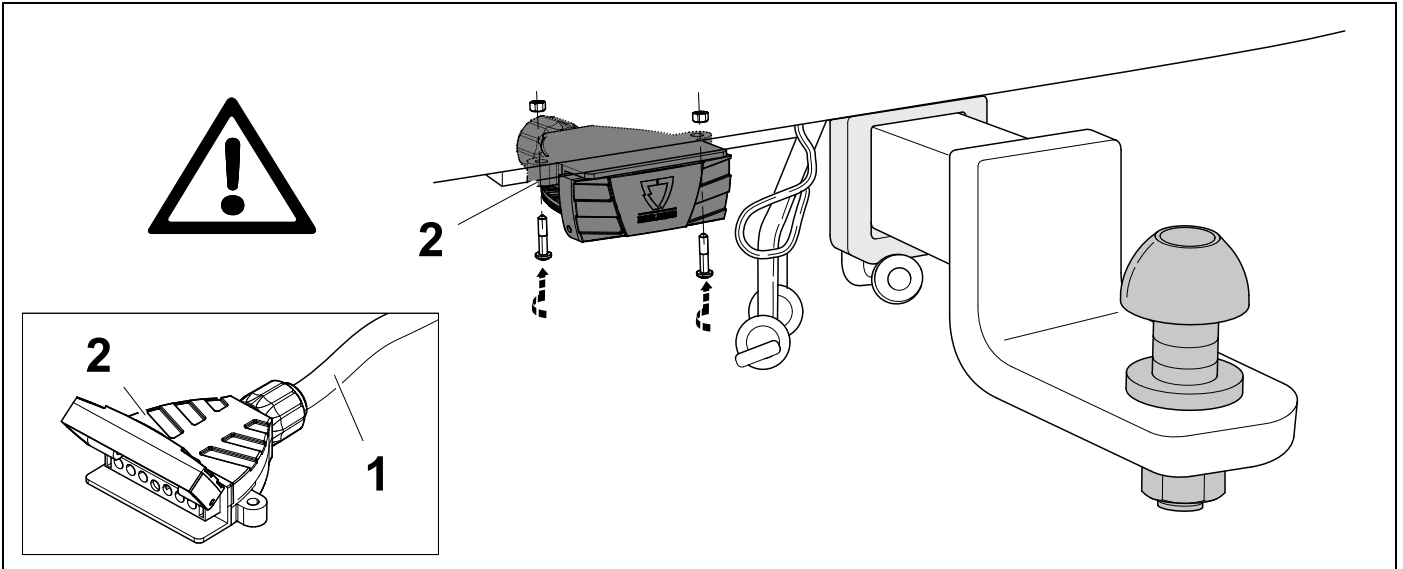




gn	4	➔ R
bn	7	☹️
bk	2	1 3 2 4 (R)
wh	3	⚡
bu	5	🔧
rd	6	Stop
ye	1	➔ L



21



22



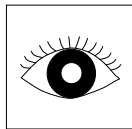
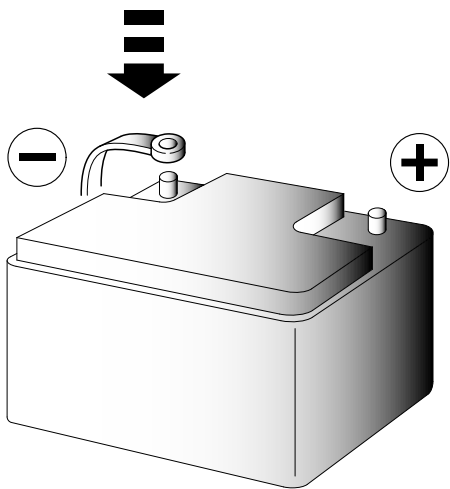
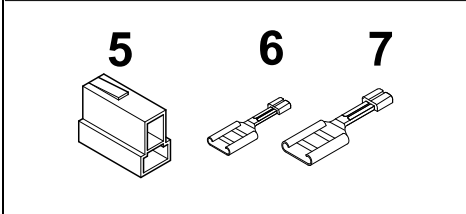
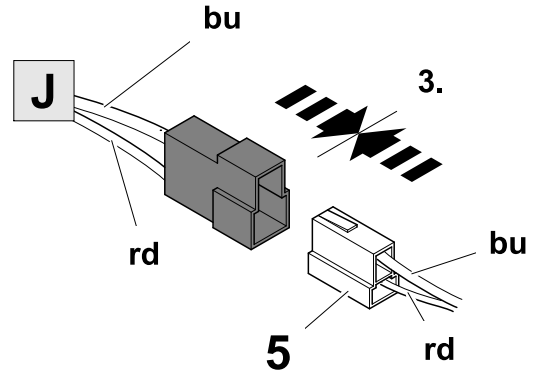
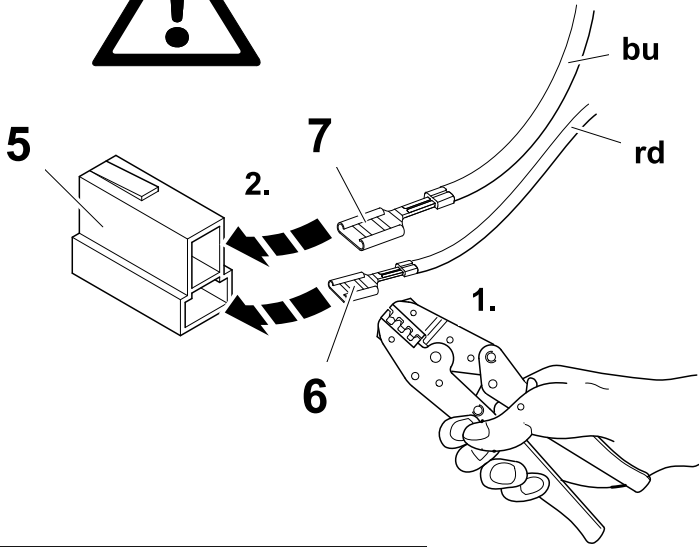
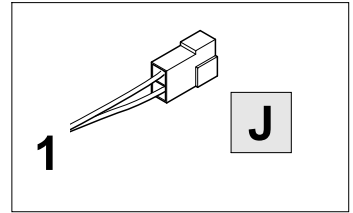
23

1	ye	
2	bk	
3	wh	
4	gn	
5	bu	
6	rd	
7	bn	

23	bk	wh	gy	gn	rd	bu	ye	bn	pu	or	no
	black	white	grey	green	red	blue	yellow	brown	purple	orange	not occupied

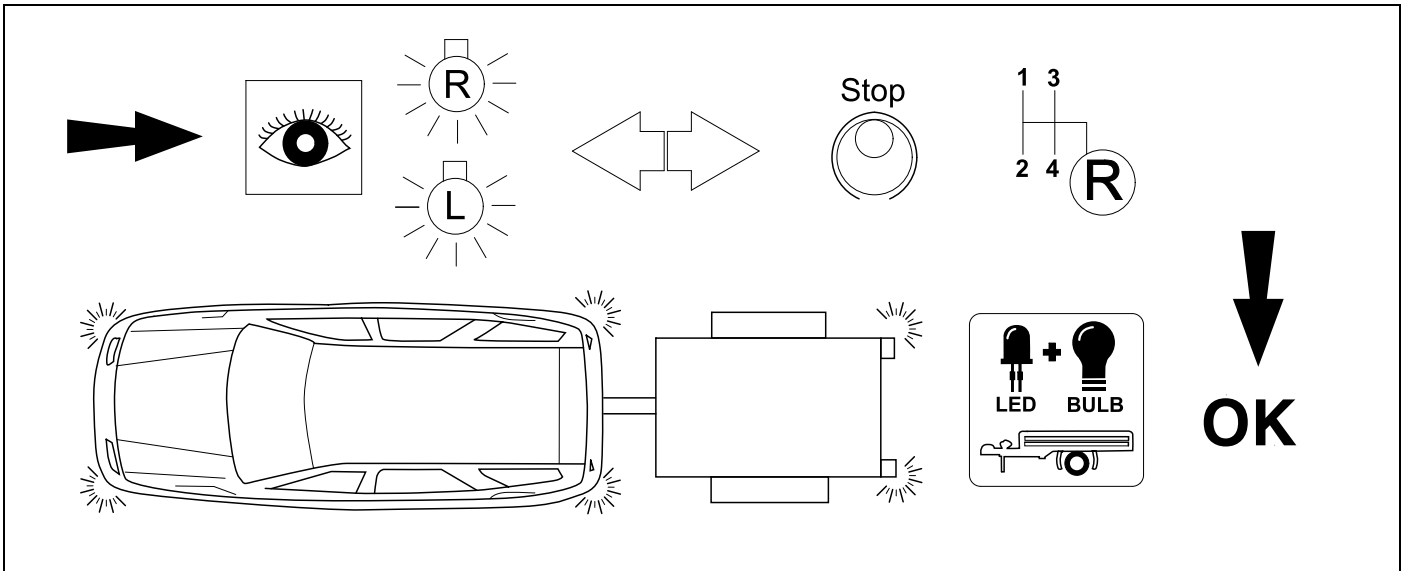


Trailer Brake Preparation



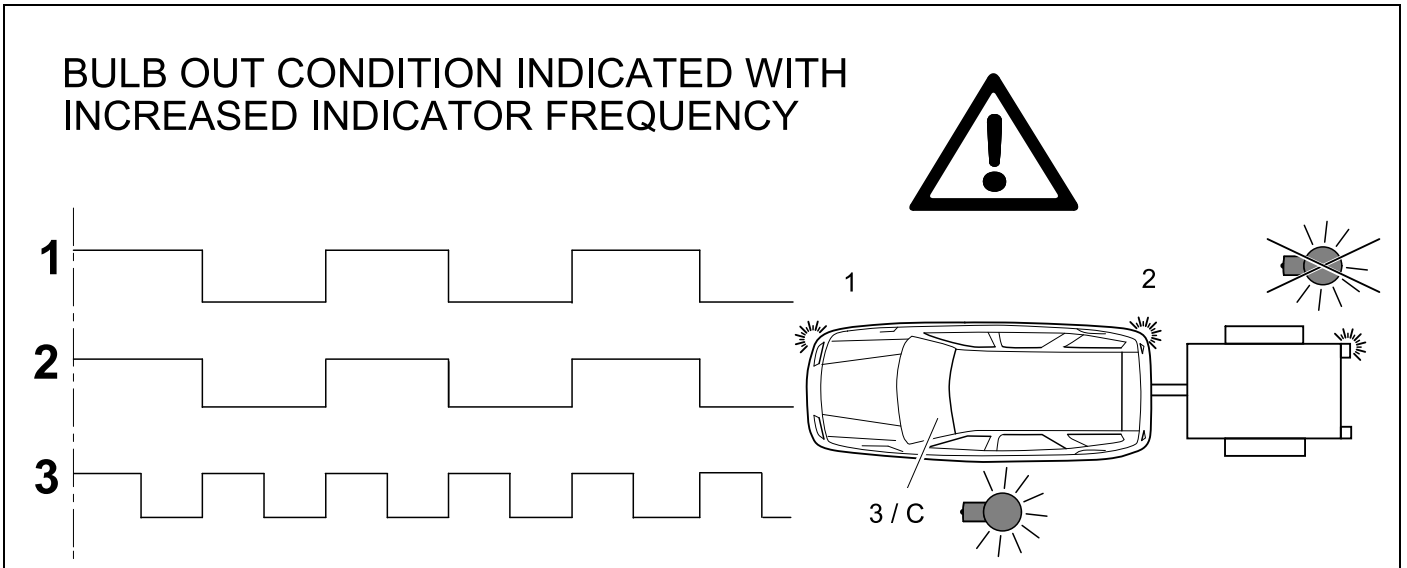
26

CHECK ALL LIGHTING FUNCTIONS



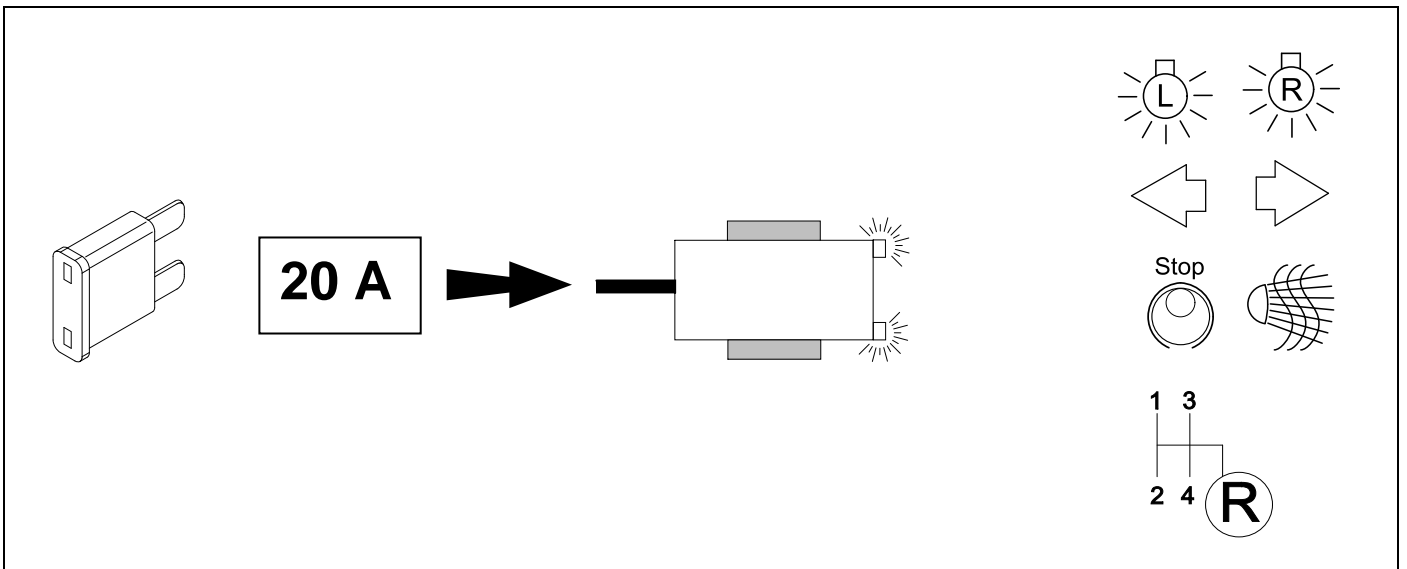
27

CHECK BULB OUT DETECTION



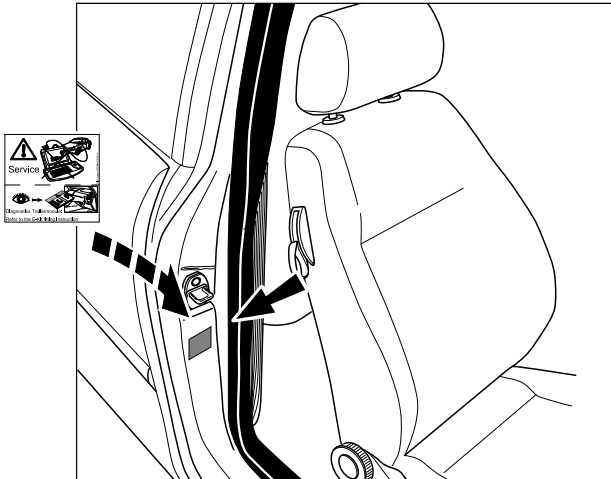
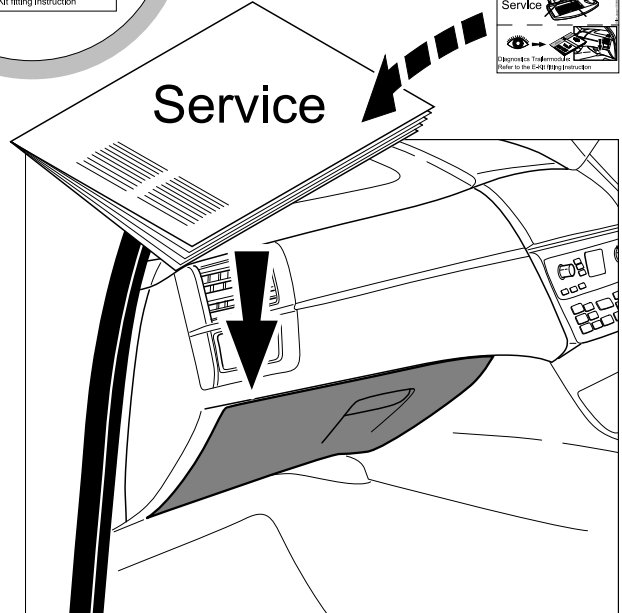
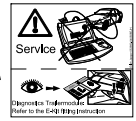
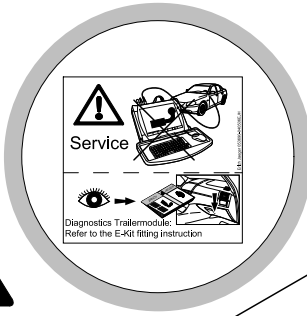
28

⇒ 16 + 18

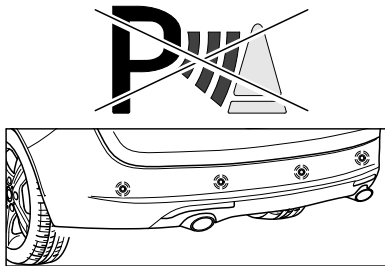
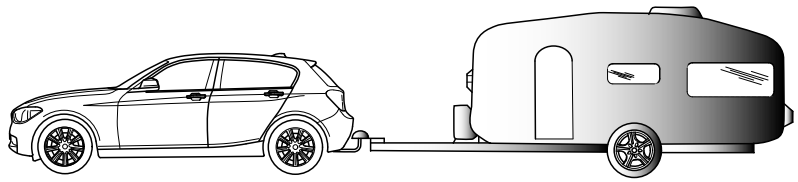
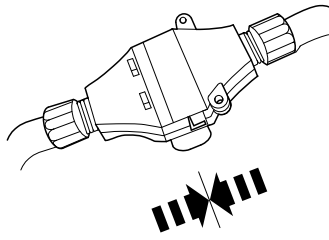




2x 12



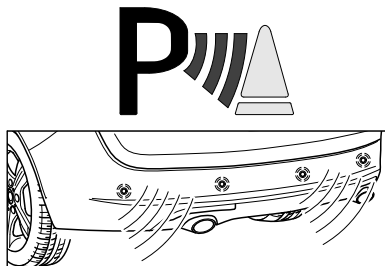
If the PDC does not automatically deactivate, coding and initialization of the module might be required.



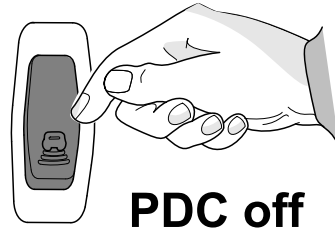
OPTION 1



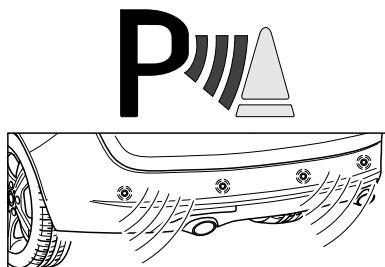
No Coding



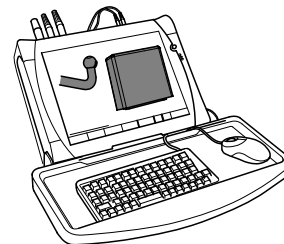
OPTION 2



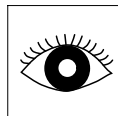
PDC off



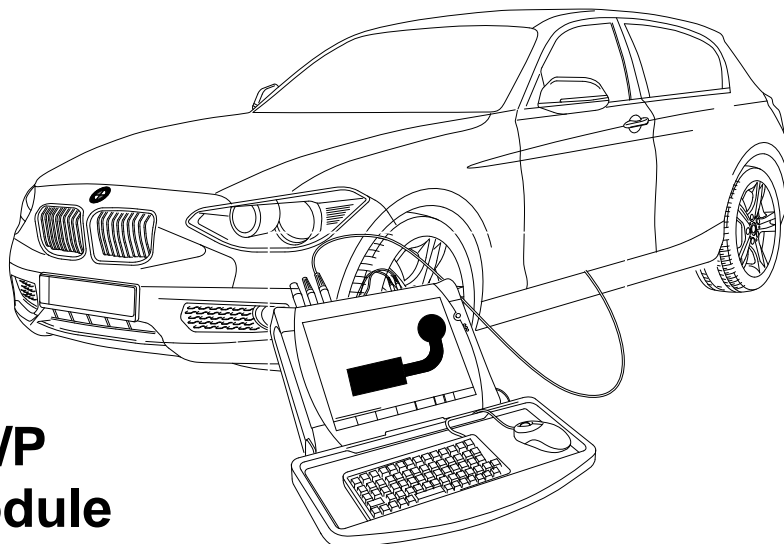
OPTION 3



BMW Service ISTA/P
Initialize Trailer Module



31



BMW Service ISTA/P Initialize Trailer Module

GB

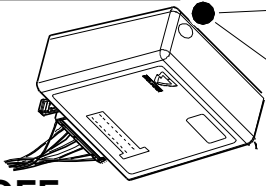
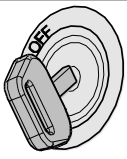
Please effect coding as follows:

- Connect computer to vehicle
- Start ISTA/P
- Click "Modification / Upgrades"
- Scan Action plan
- Click „Coding (Ethernet)“
- Scan Action program follow-up
- Final report checking

After the effected connection, the rear park assist system will also automatically be deactivated in trailer operation!

Status LED for self-diagnosis

Operation Support



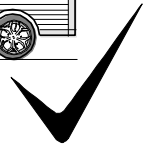
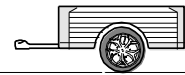
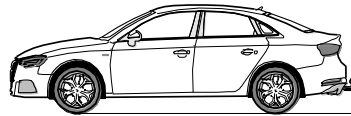
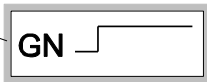
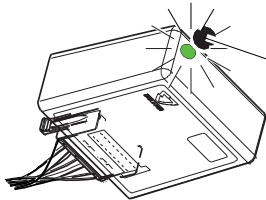
No CAN-Data =



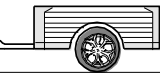
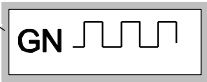
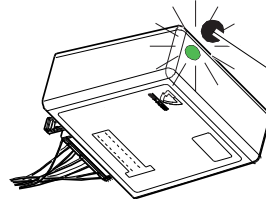
Standby / Sleepmode



Ignition OFF



Ignition ON



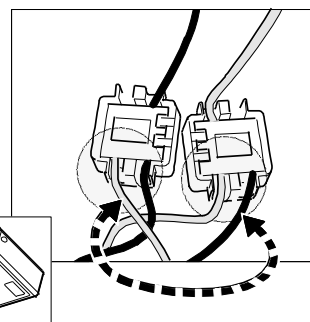
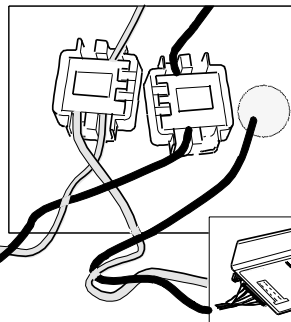
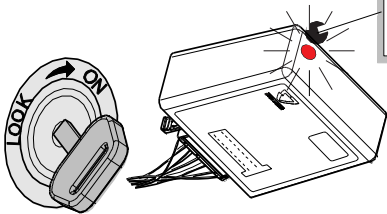
Ignition ON

Failure Support

CAN-Data Wire

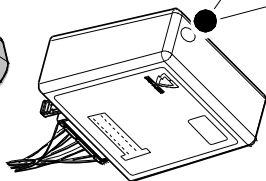
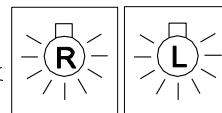


1x max. 5 min.

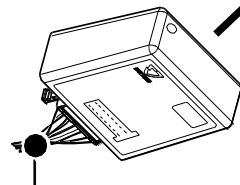
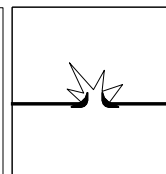
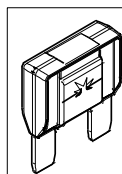
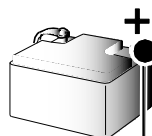
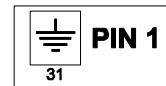


Ignition ON

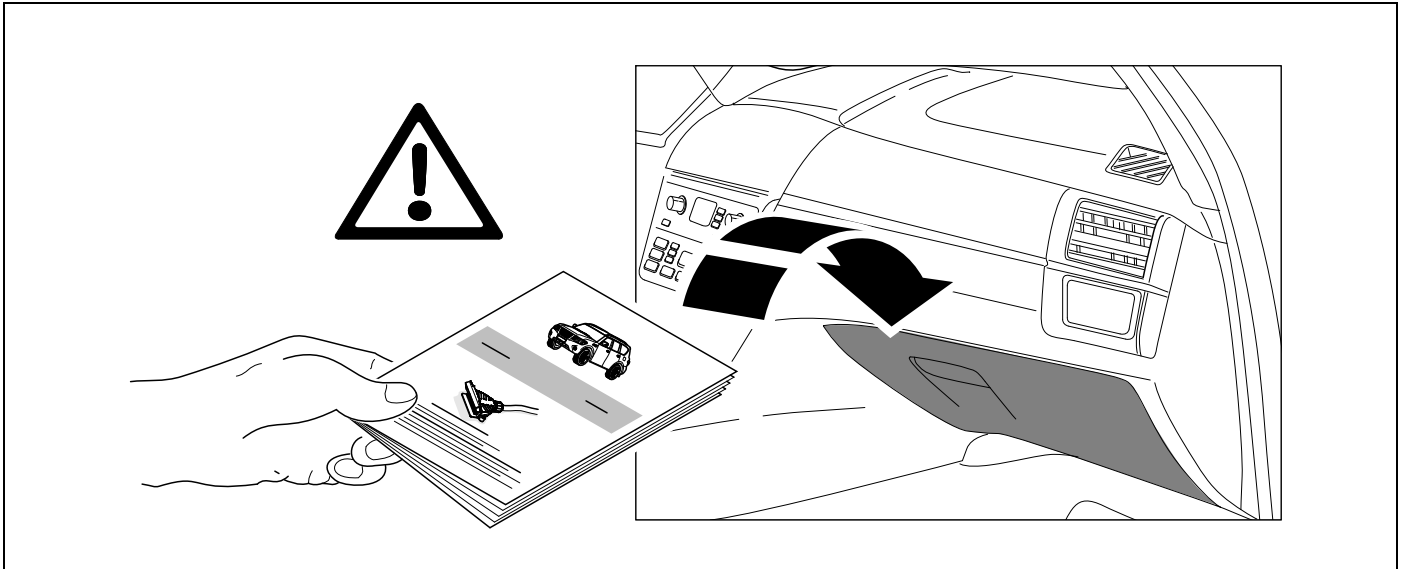
Failure indicated by the module LED glowing red for a maximum of 5 minutes. If trailer connected the tail lights will also glow indicating failure of CAN signal.



or



Ignition ON



Subject to change in terms of construction, equipment and colour, and may contain errors.
The information and illustrations are non-binding.