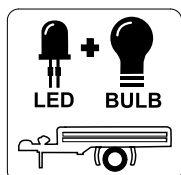
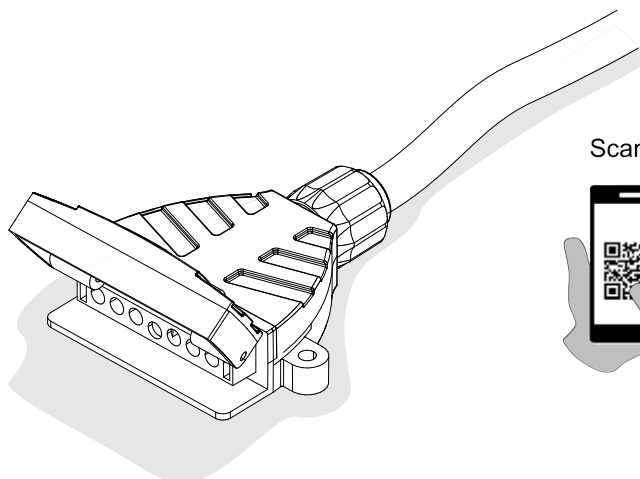


<b>BMW 3-Serie Limousine</b>	<b>F30</b>	<b>02/12 &gt;&gt; 02/14</b>
<b>BMW 3-Serie Touring</b>	<b>F31</b>	<b>09/12 &gt;&gt; 02/14</b>
<b>BMW 3-Serie Gran Turismo</b>	<b>F34</b>	<b>06/13 &gt;&gt; 02/14</b>



**750018**



Scan this for our full E-Kit catalogue



## Installation instructions

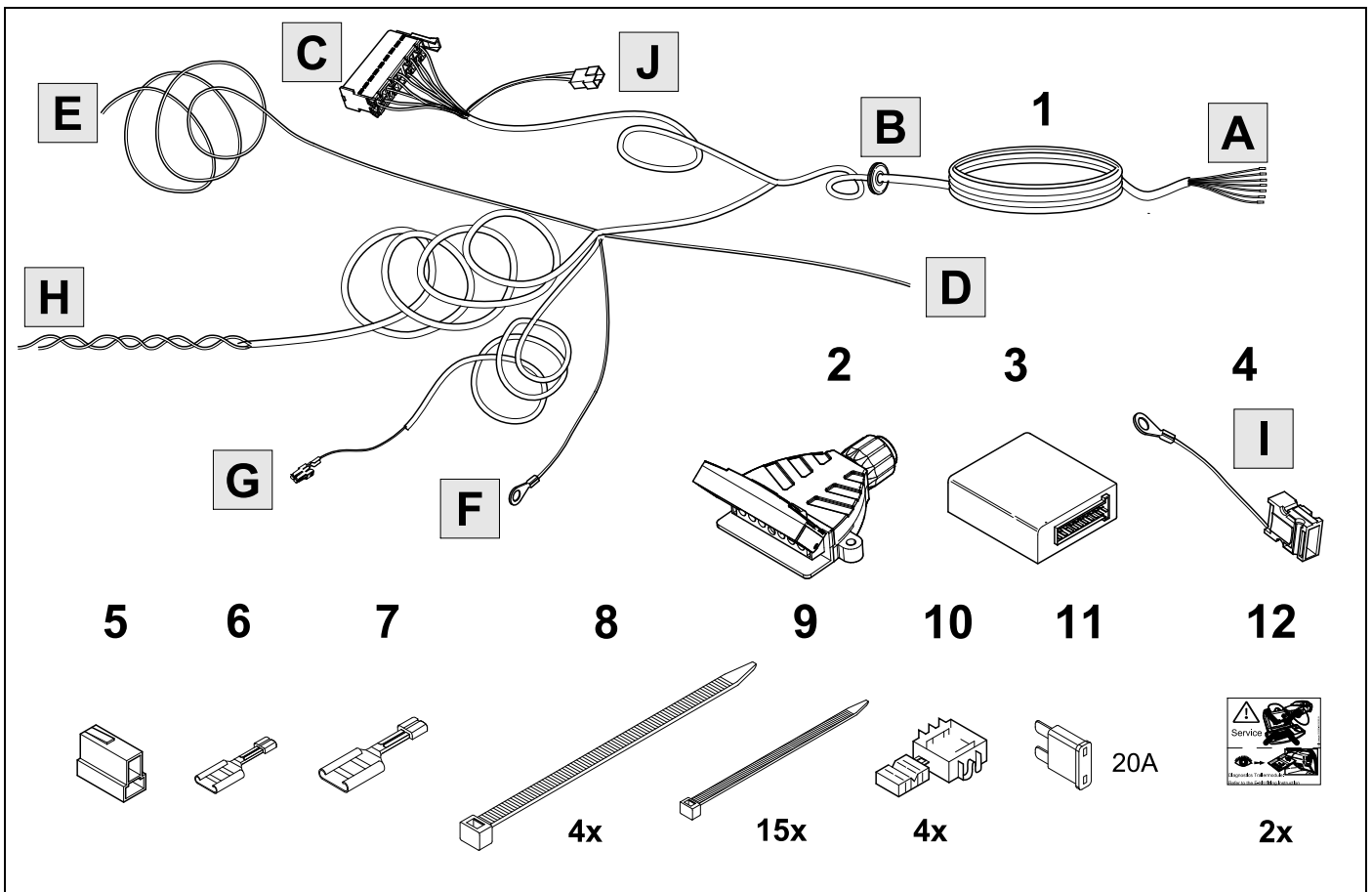
### Reference:

The following information must be reviewed before beginning the assembly:

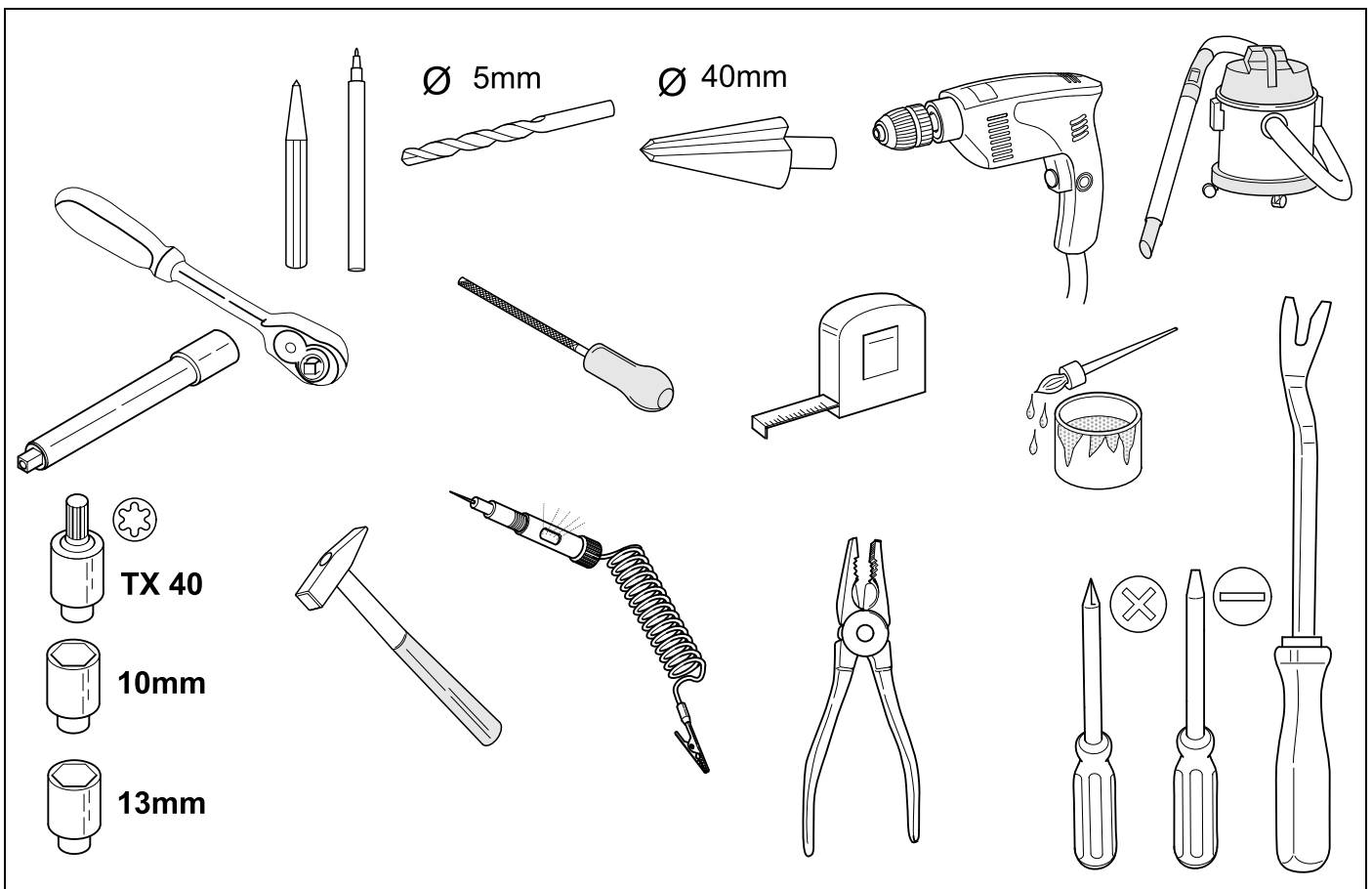


The installation instructions are to be thoroughly read.  
 The installation should be carried out by qualified personnel with the relevant technical knowledge.  
 The vehicle manufacturers' current technical notices and information on retrofitting must be followed.  
 The removal and replacement instructions found in the current repair manuals must be followed.  
 It must be ensured that the vehicle is technically suitable for the installation of a trailer hitch.

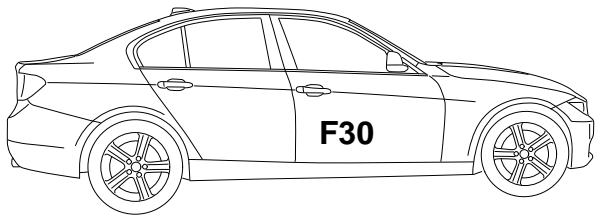
# KIT



# TOOLS

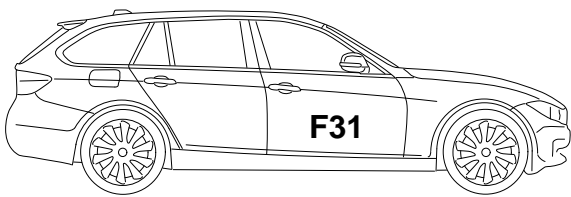


# OVERVIEW



$$\boxed{1} - \boxed{9}$$

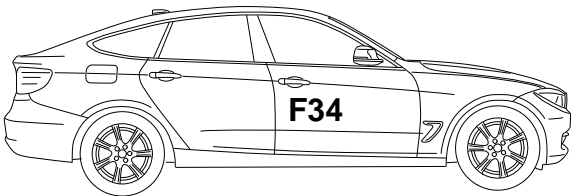
$$\boxed{24} - \boxed{45}$$



$$\boxed{1} + \boxed{2}$$

$$\boxed{10} - \boxed{16}$$

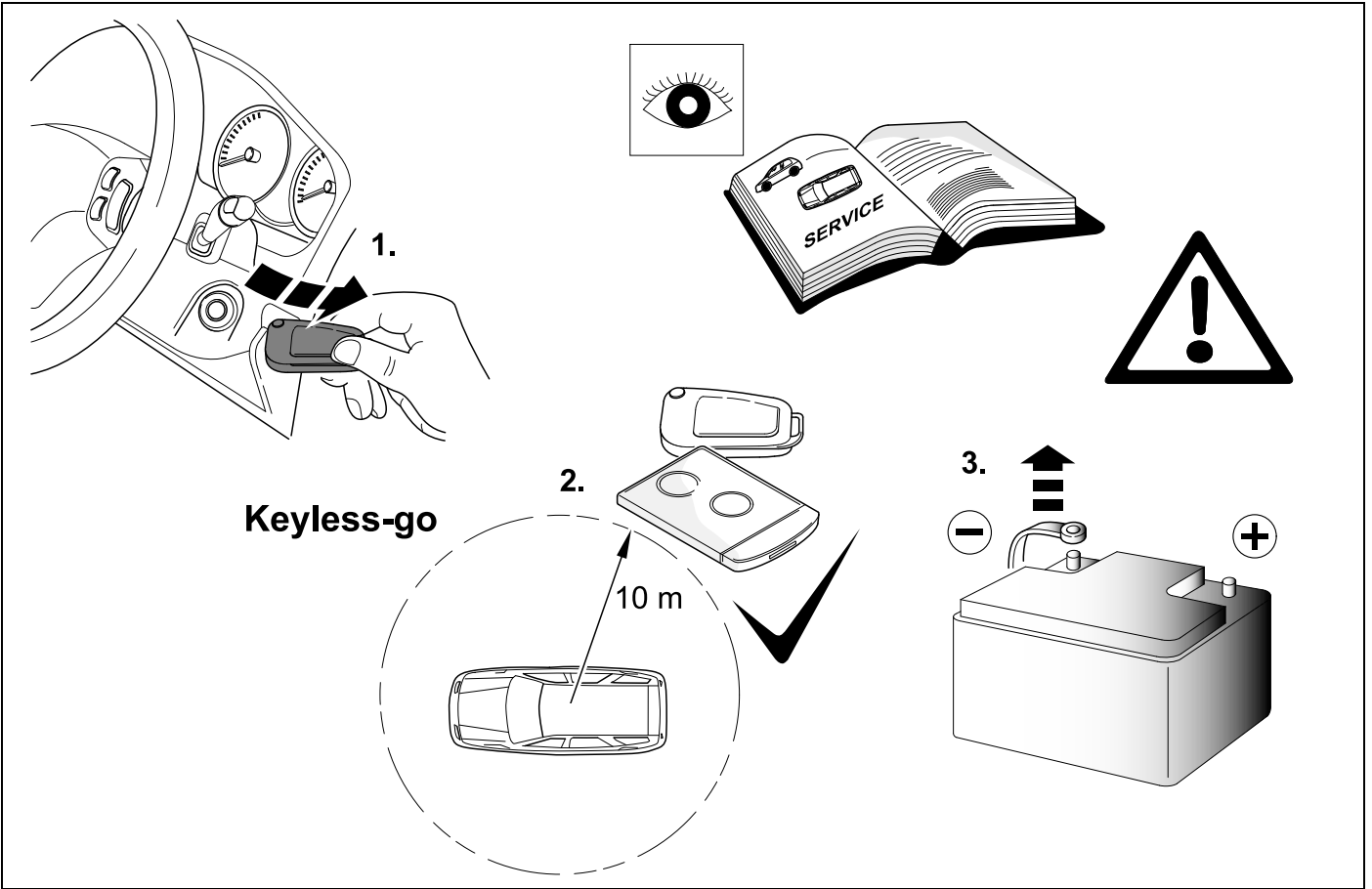
$$\boxed{24} - \boxed{45}$$

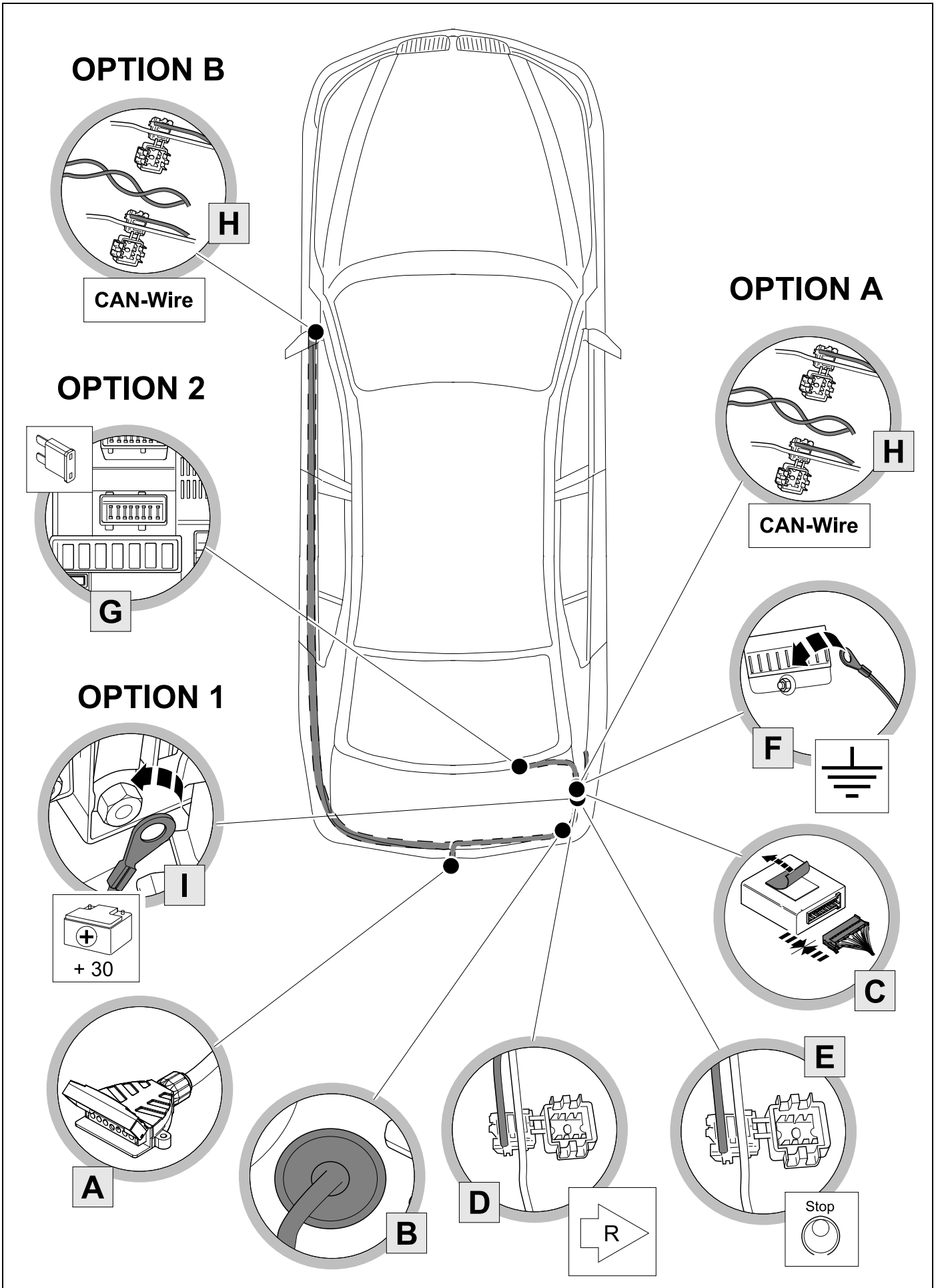


$$\boxed{1} + \boxed{2}$$

$$\boxed{17} - \boxed{45}$$

1

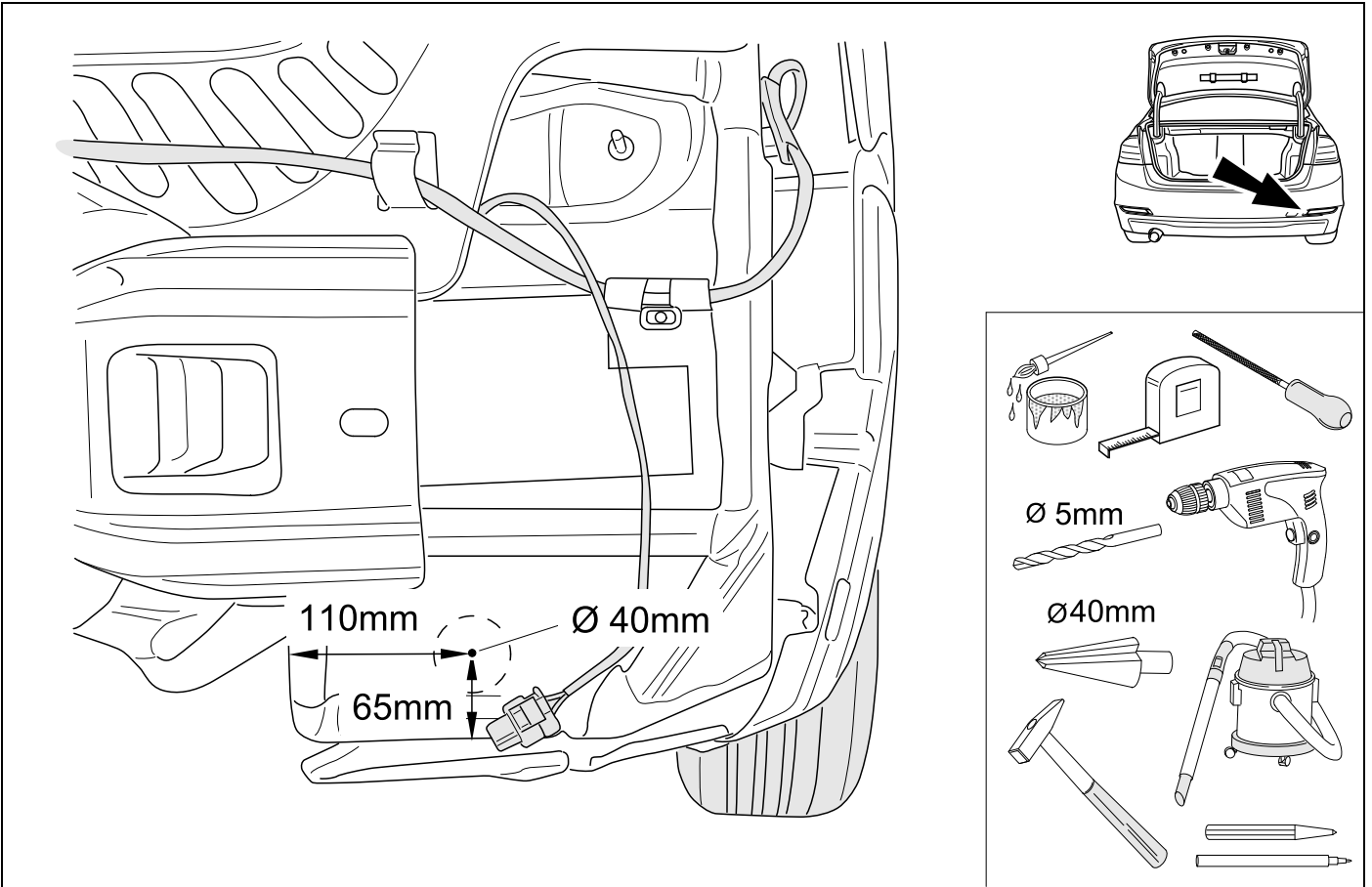






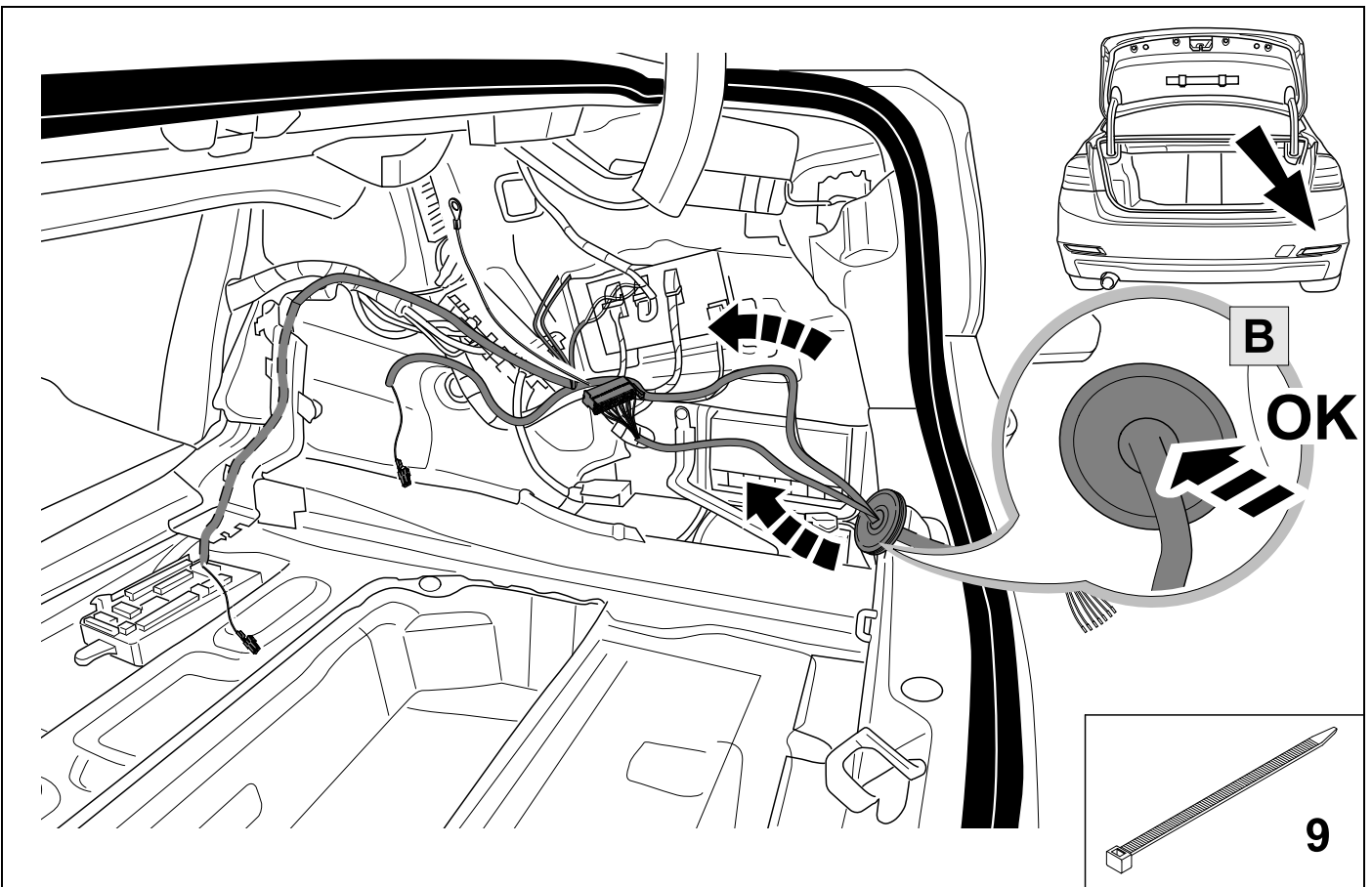
4

F30



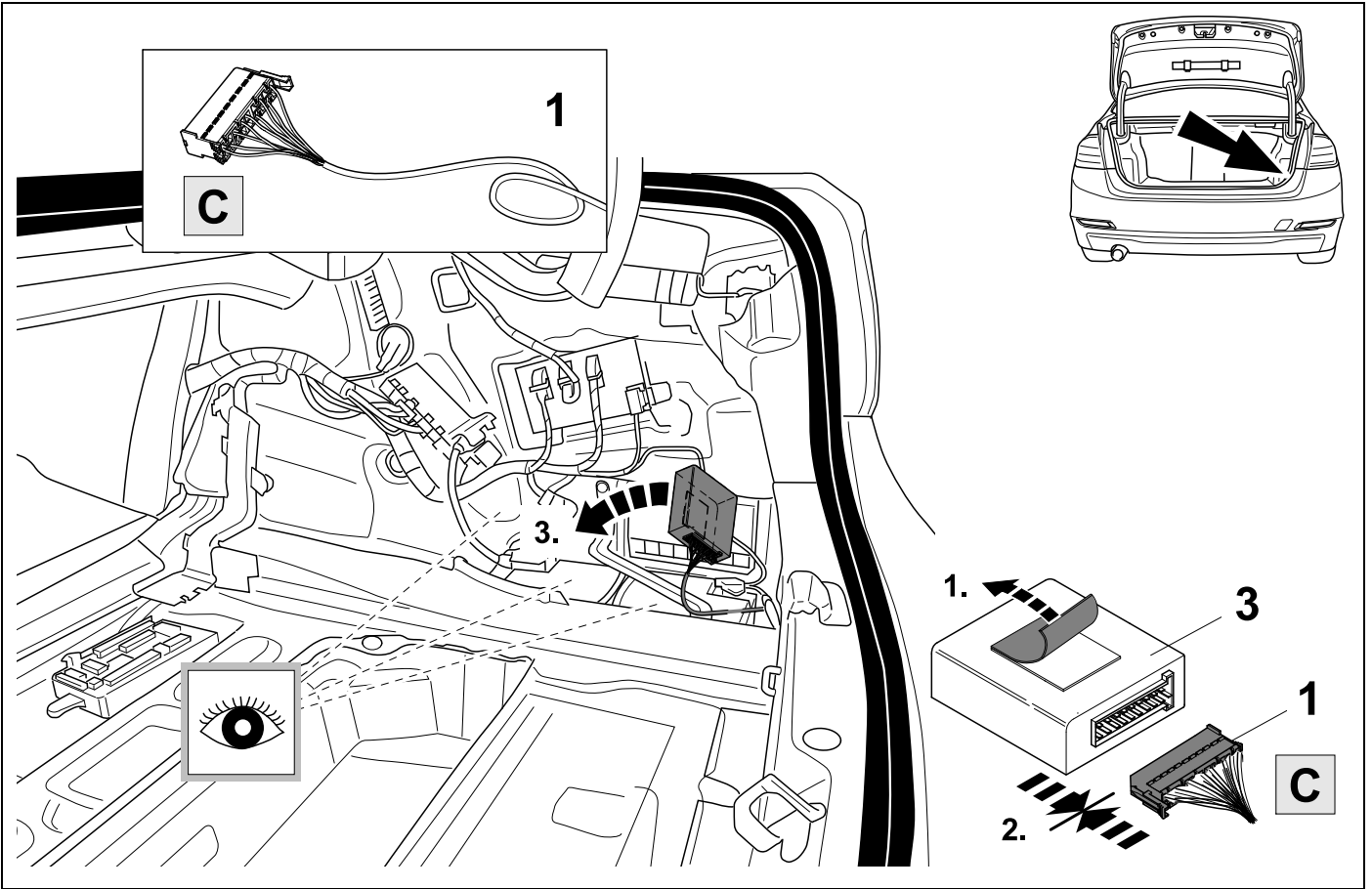
5

F30



6

F30

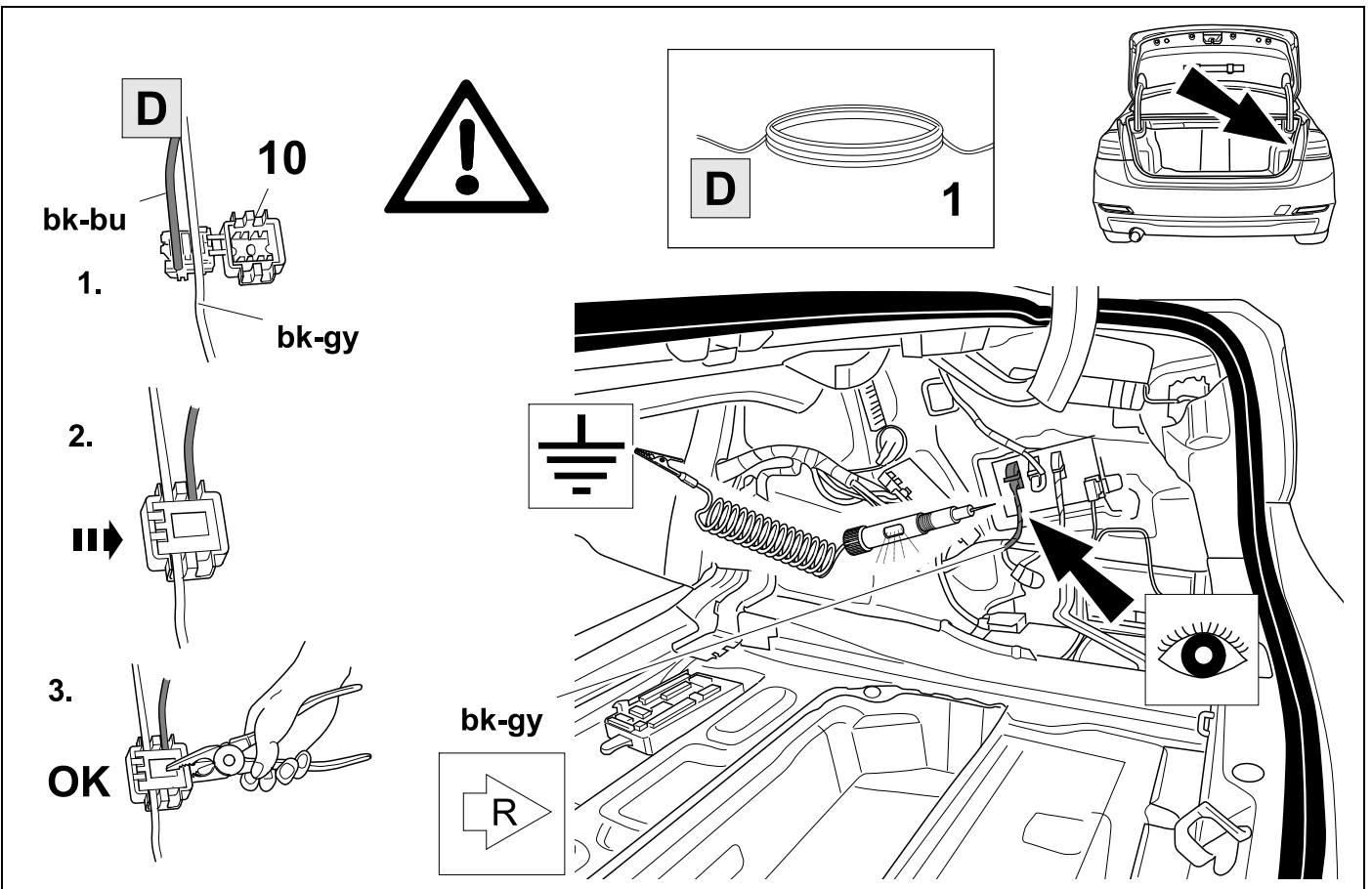


7

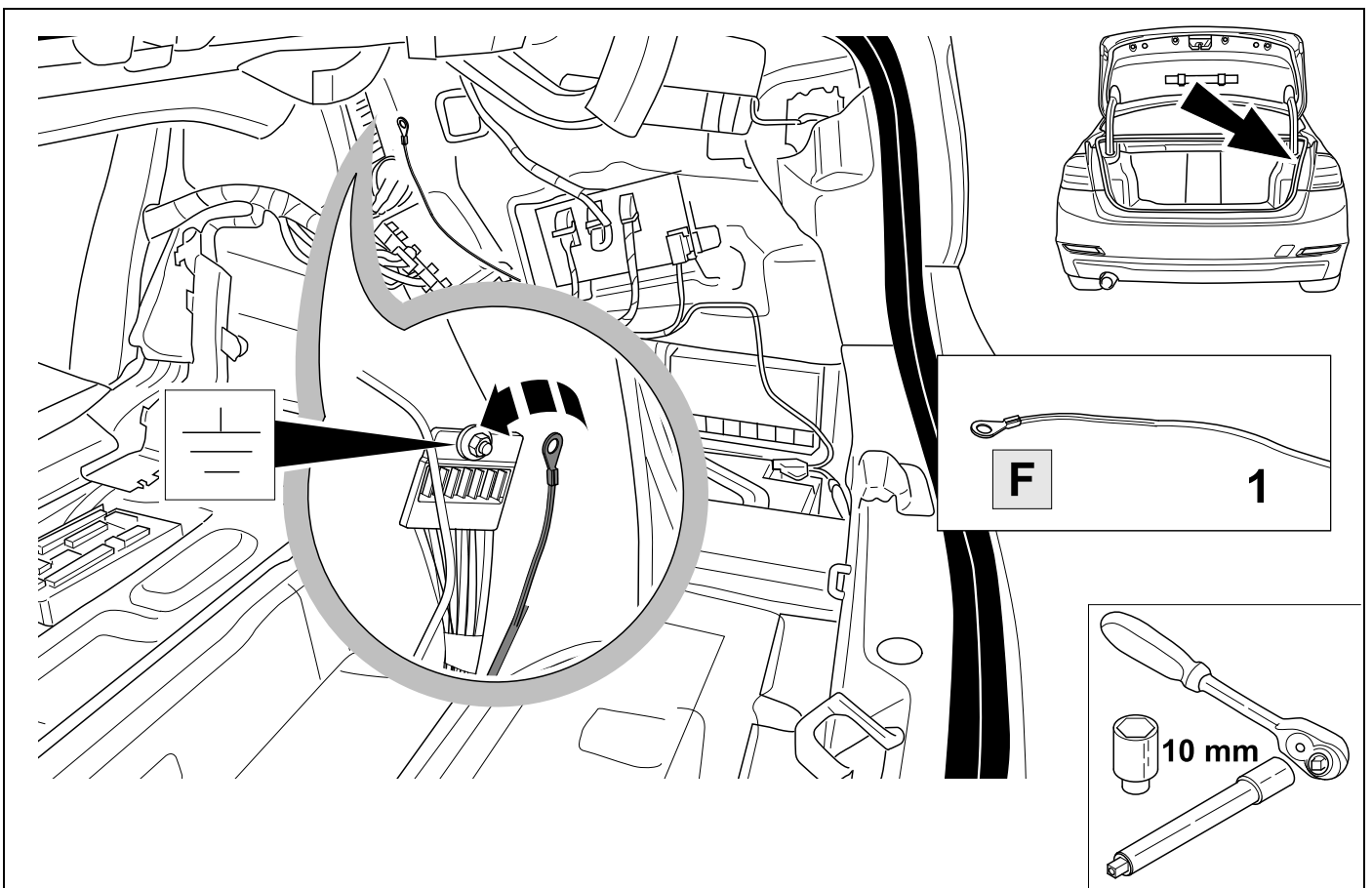
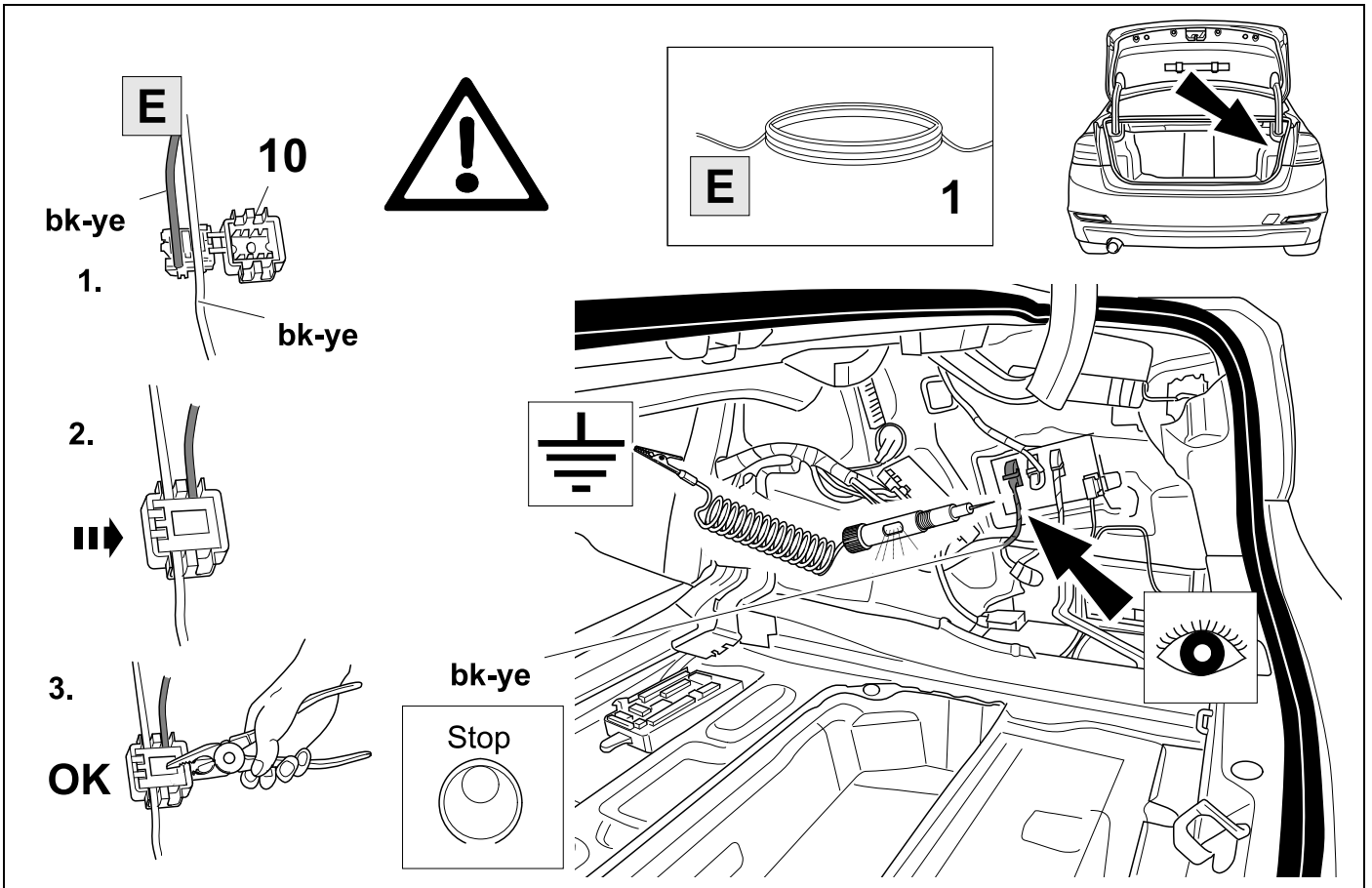


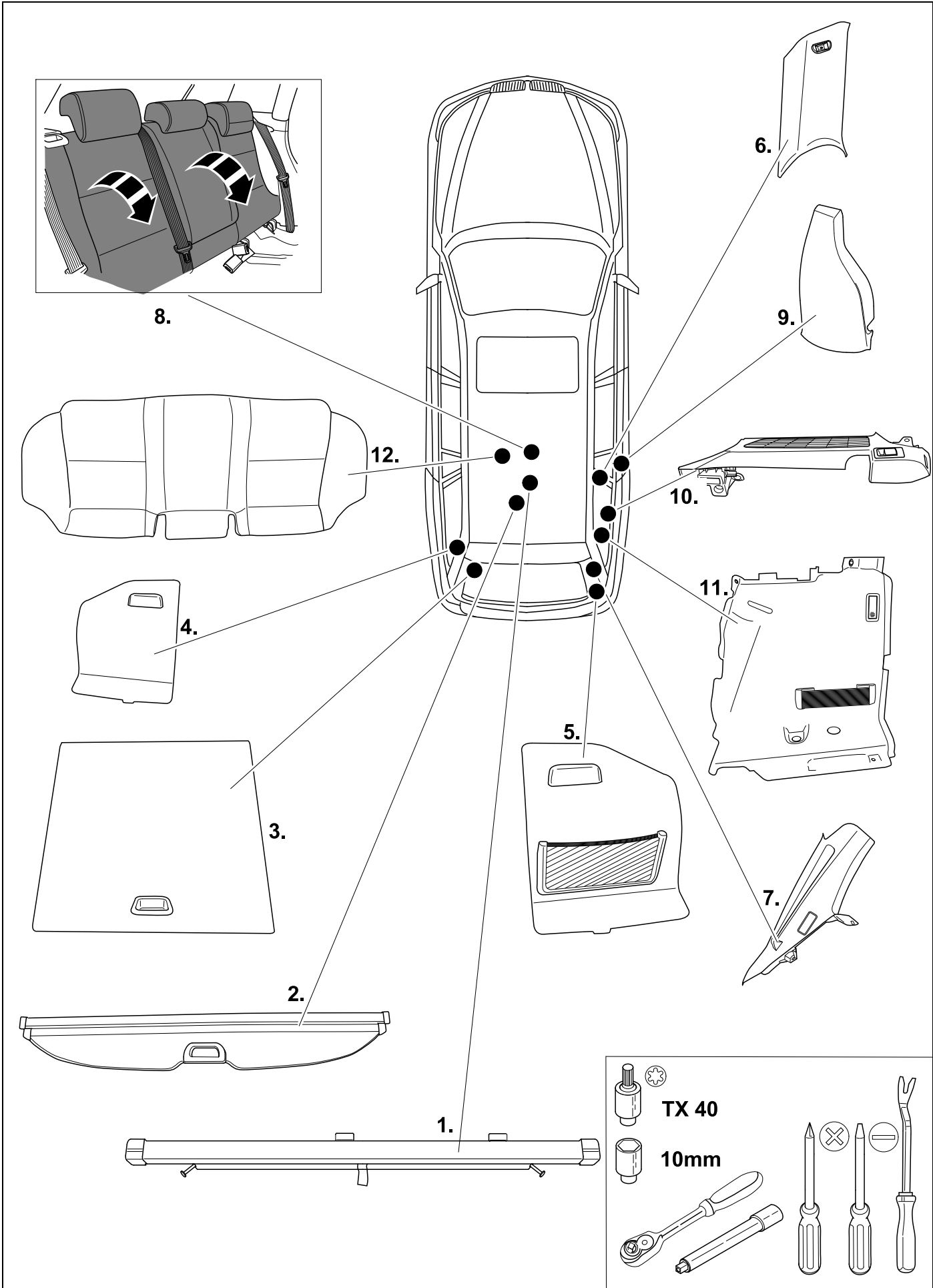
37

F30



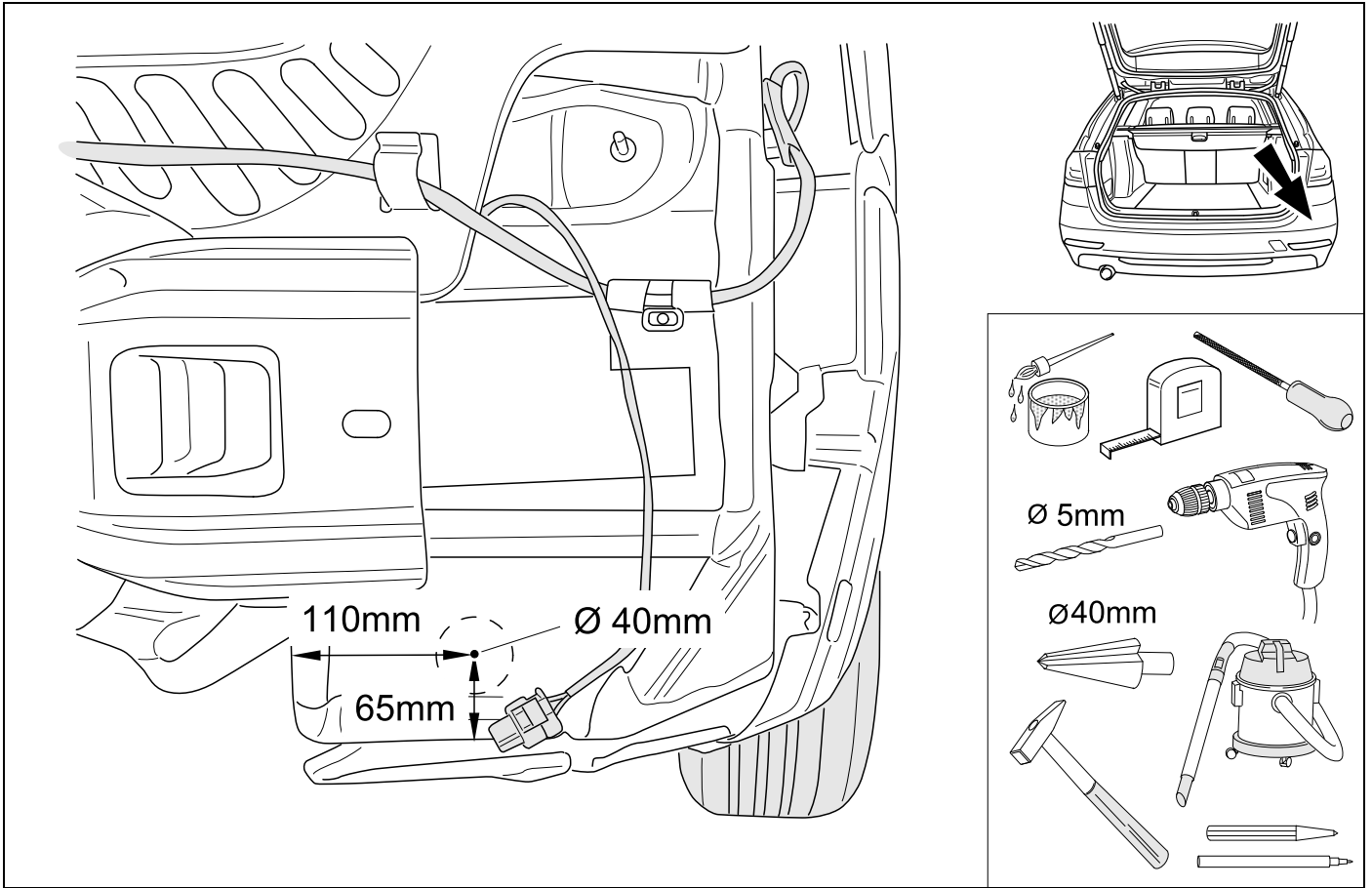






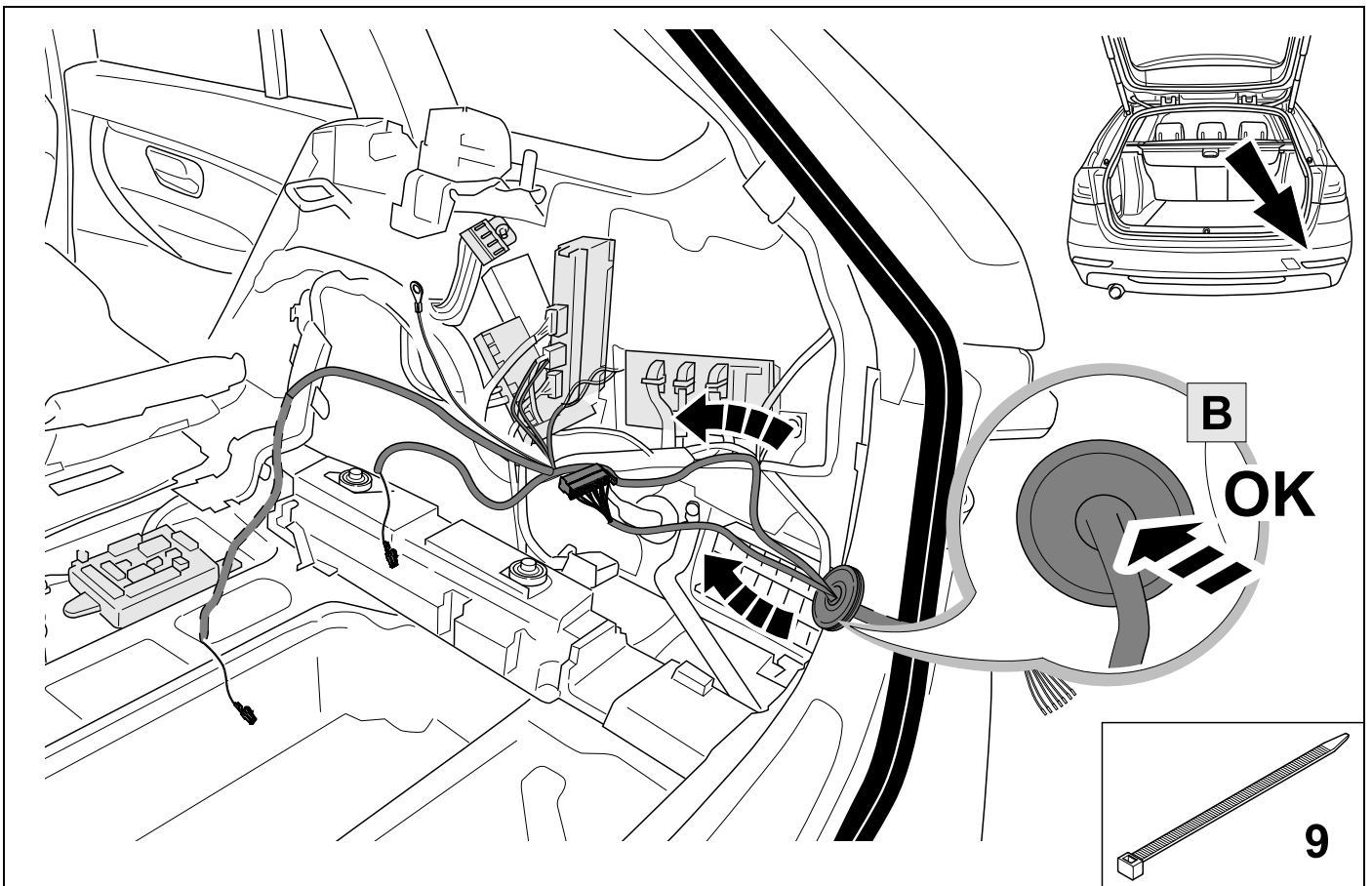
11

F31



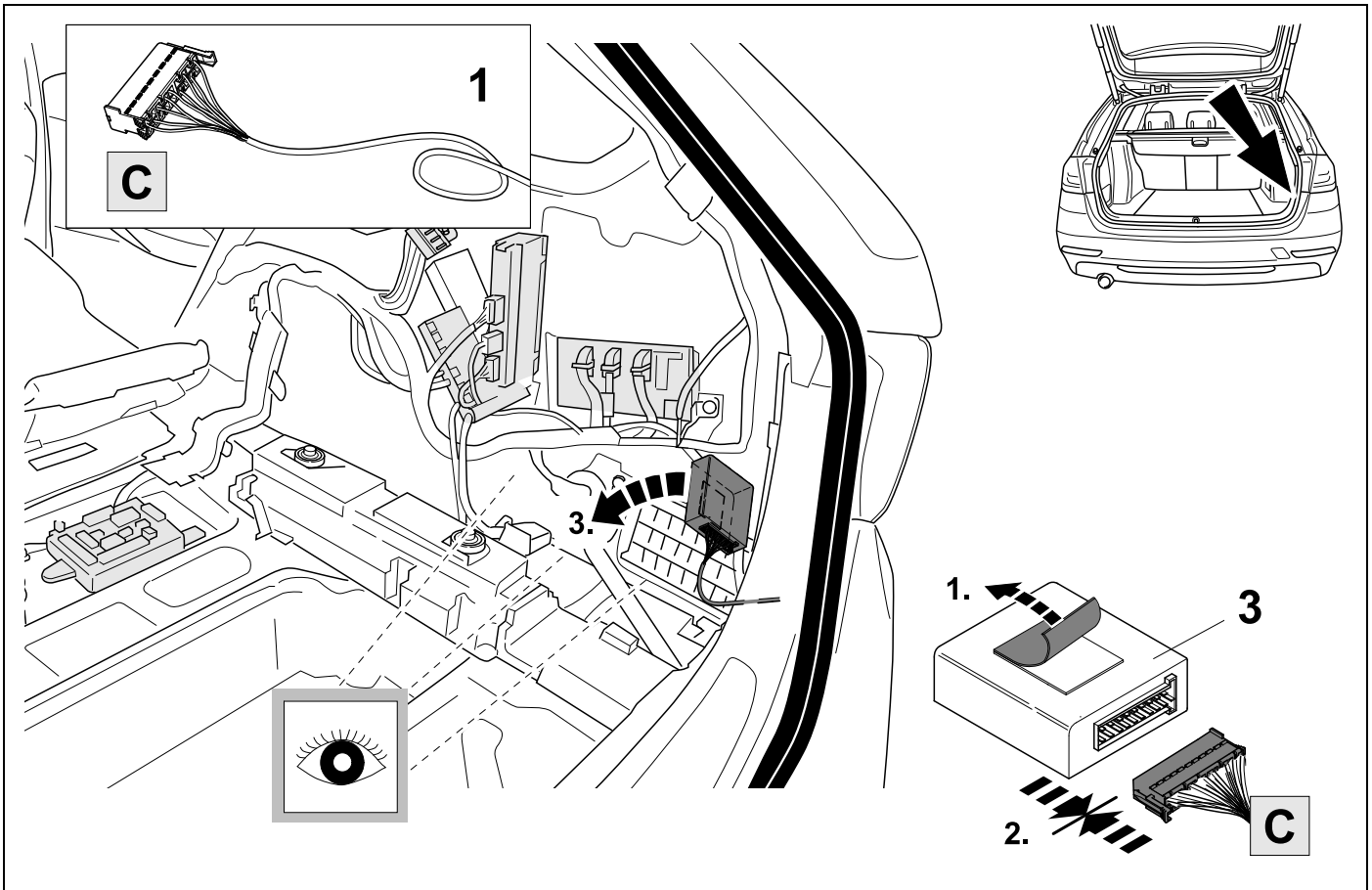
12

F31



13

F31

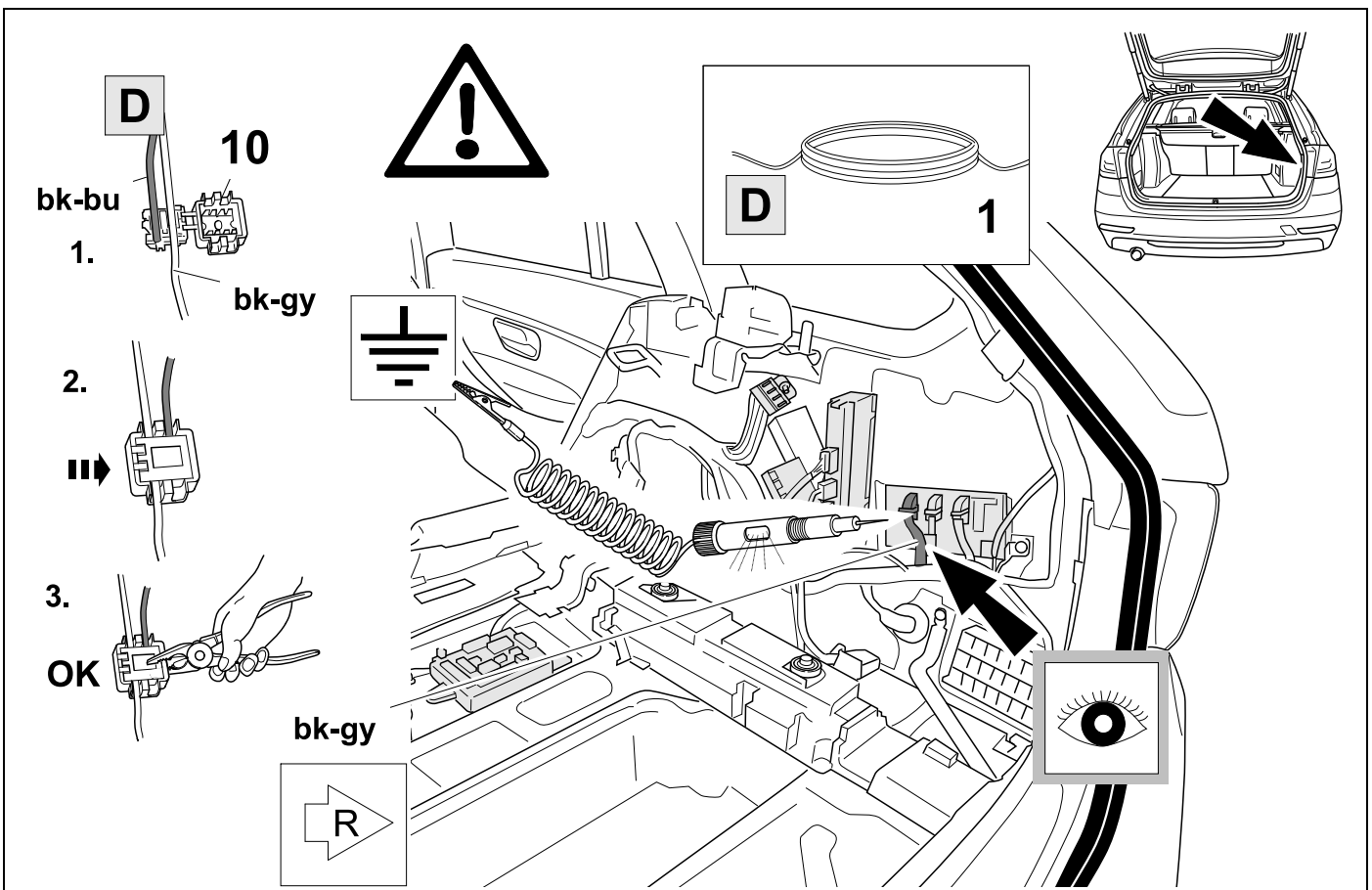


14



37

F31

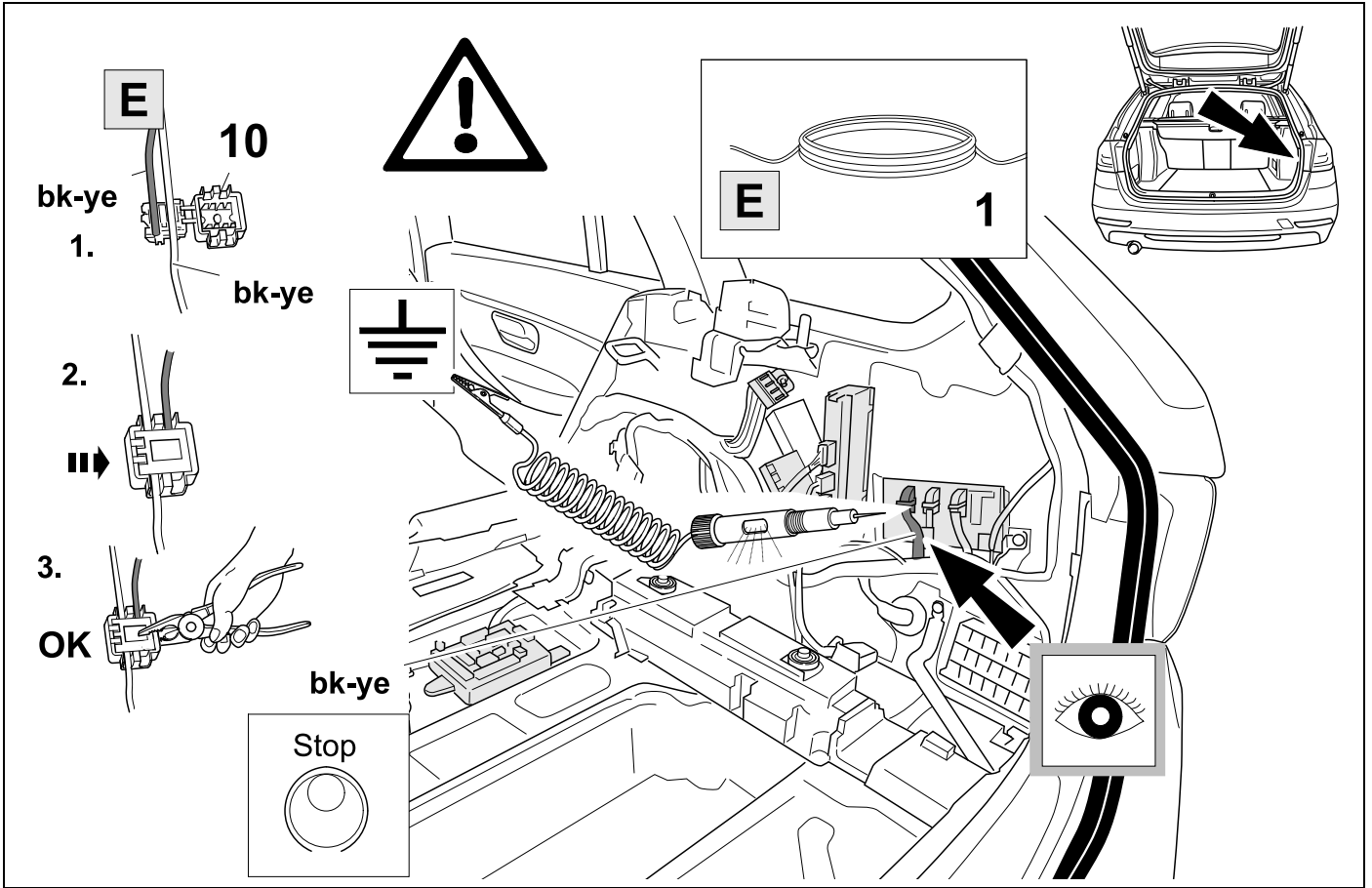


15



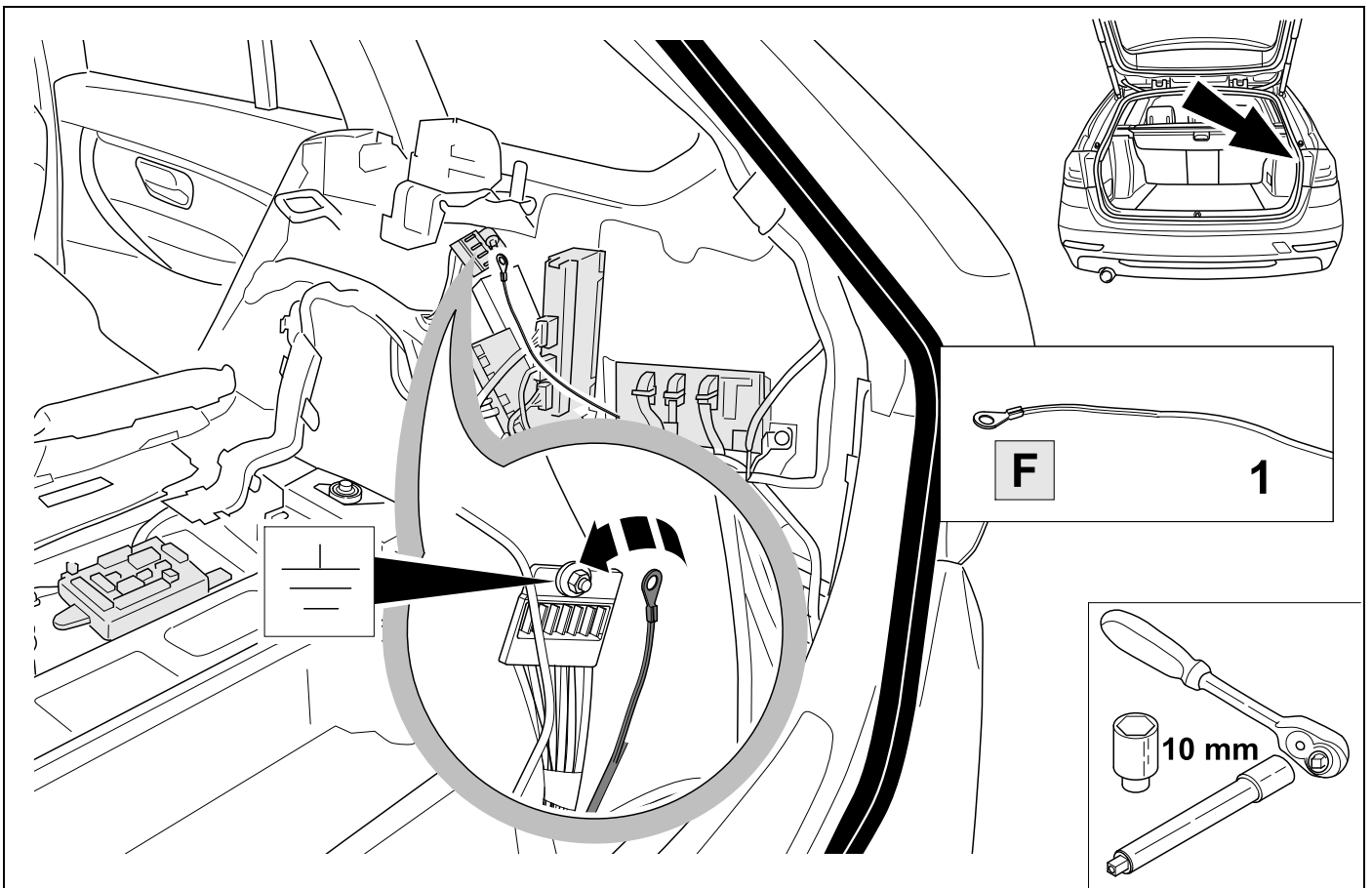
37

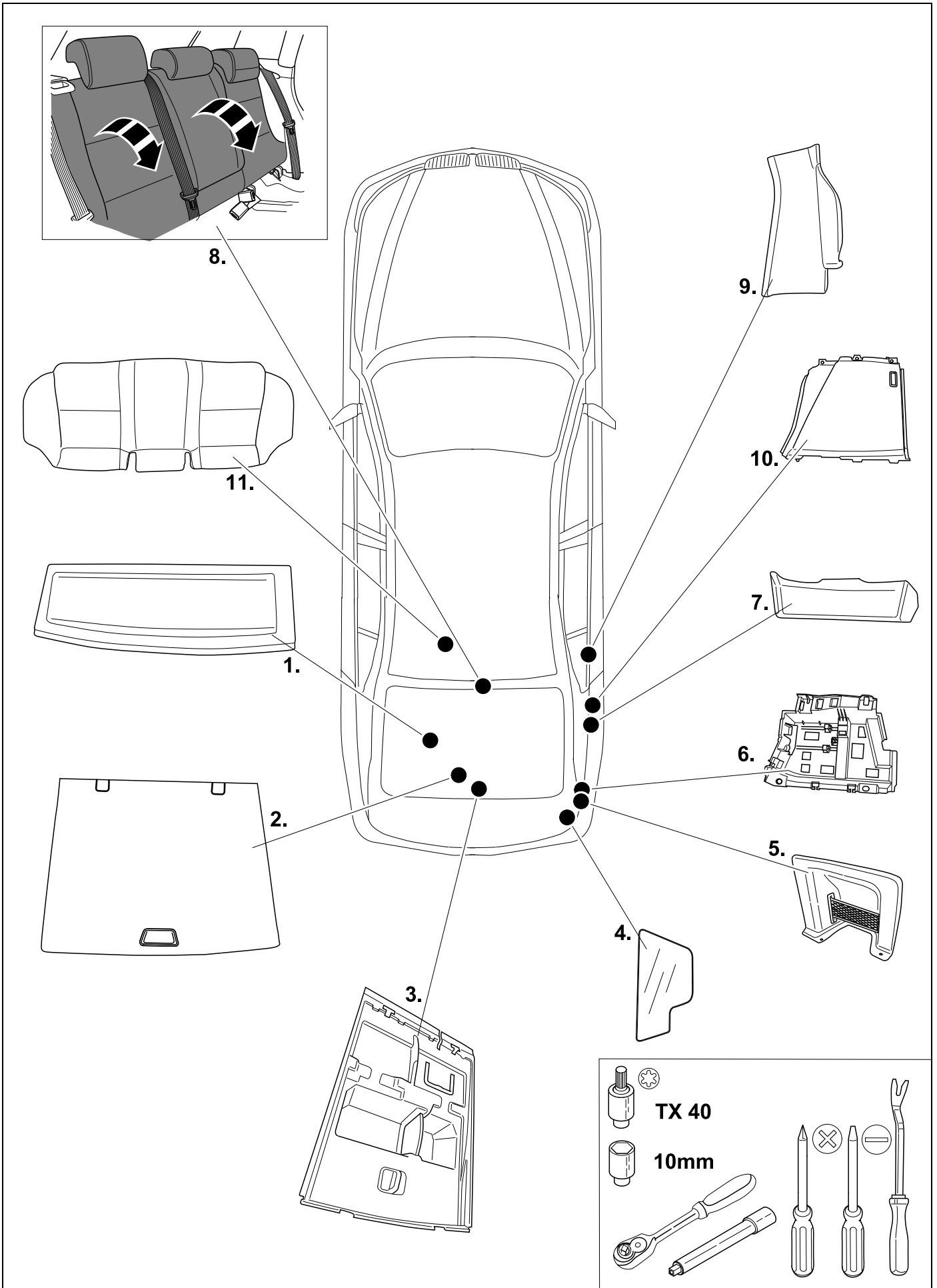
F31



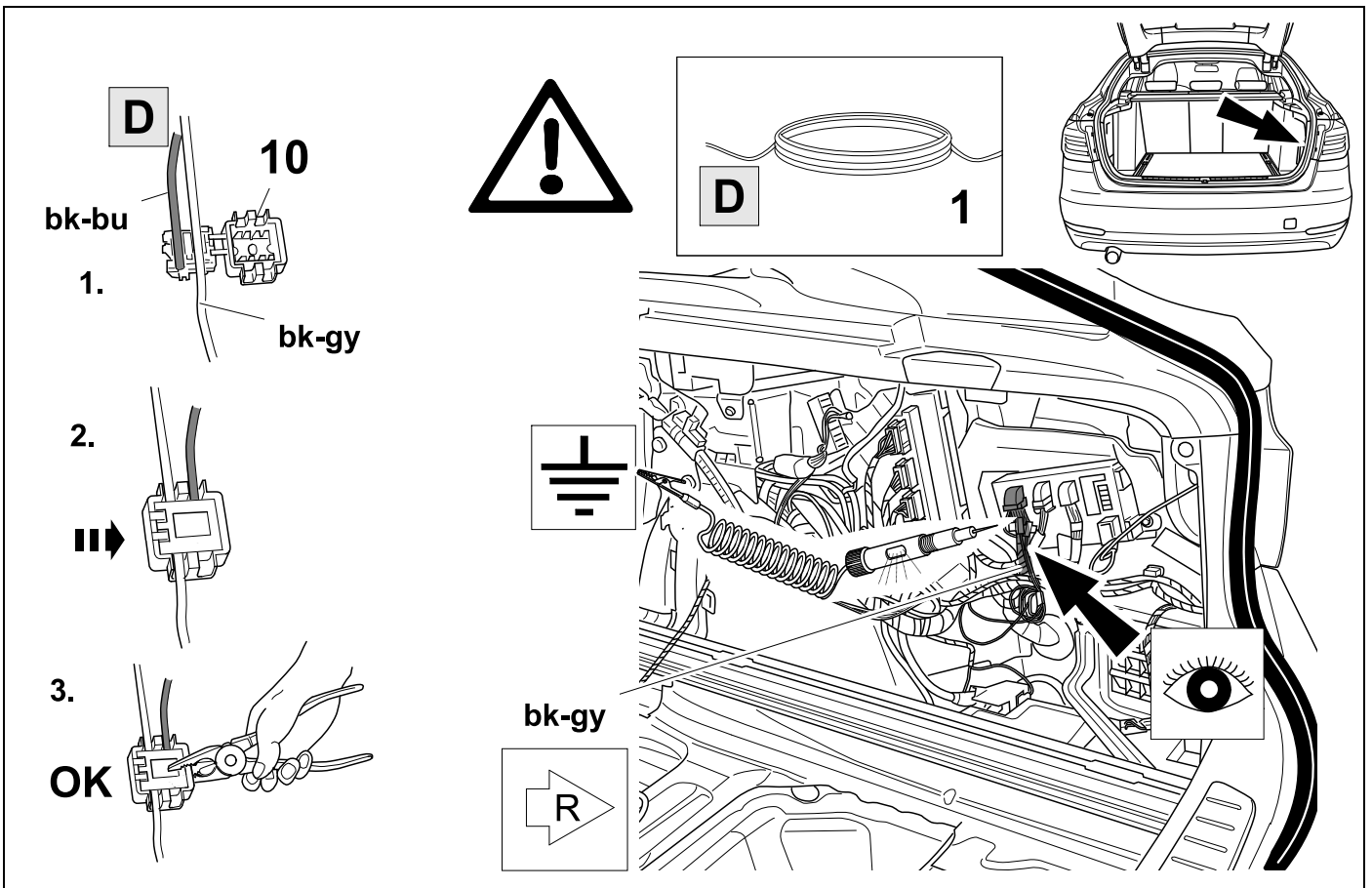
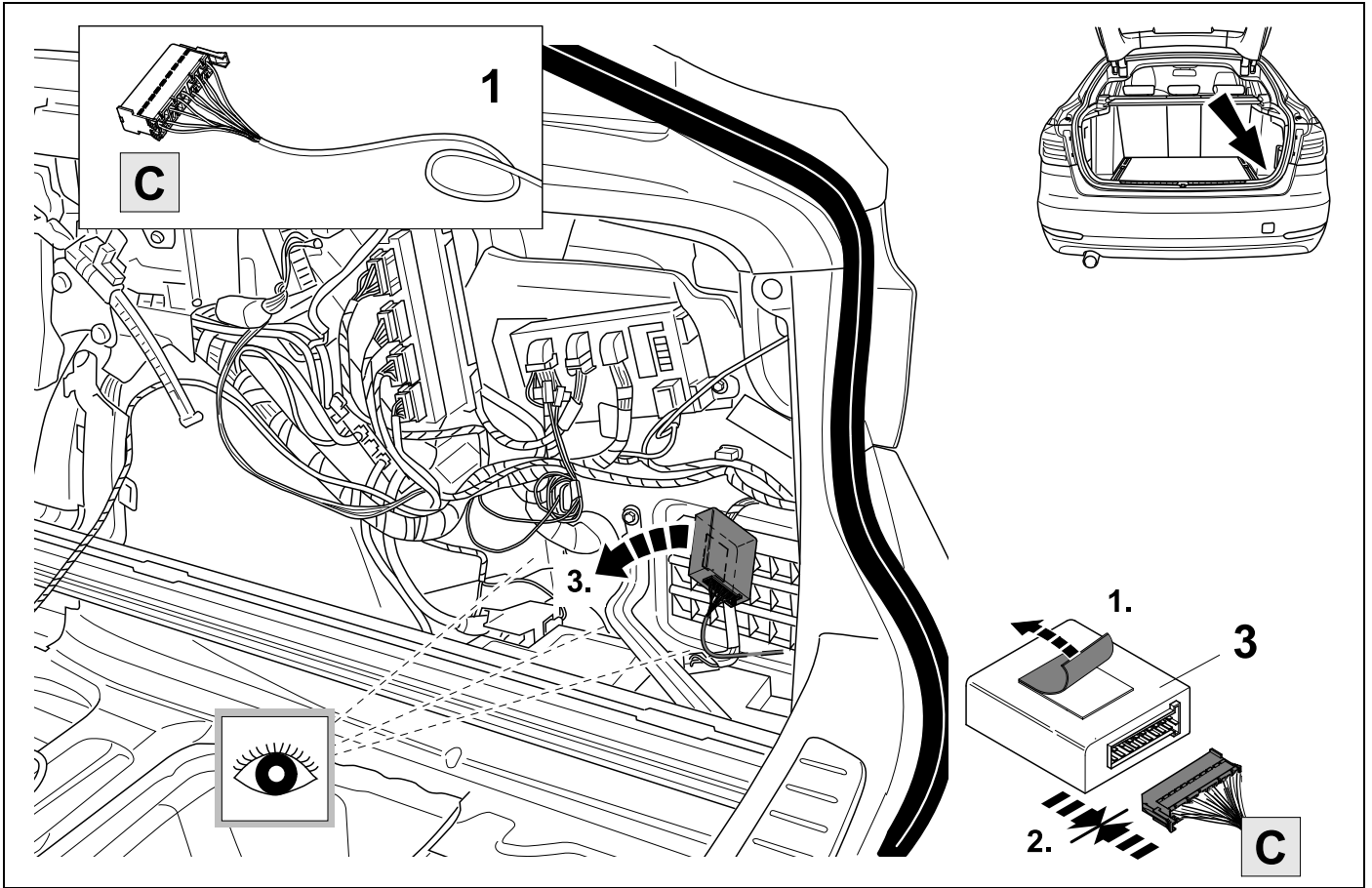
16

F31

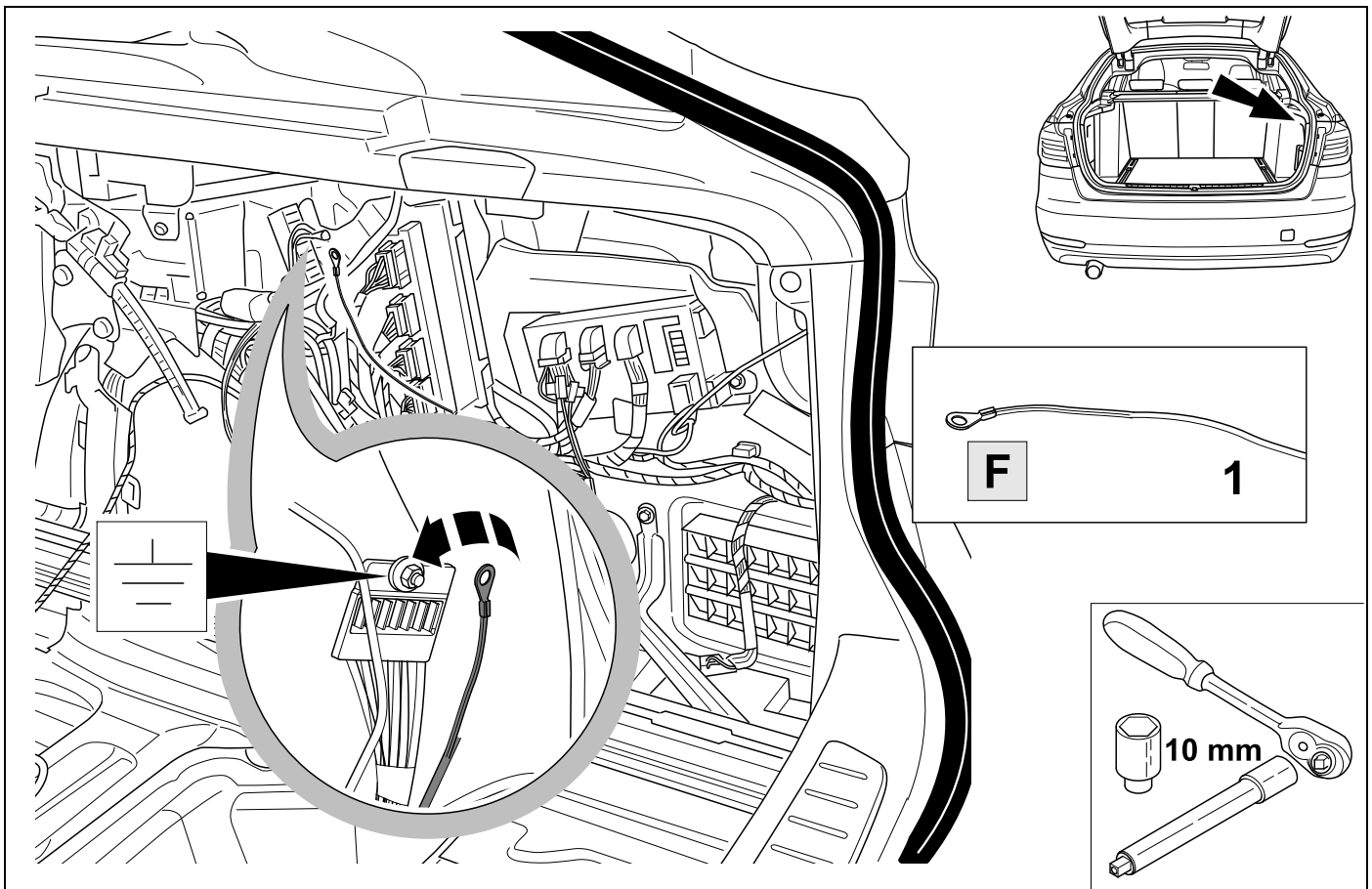
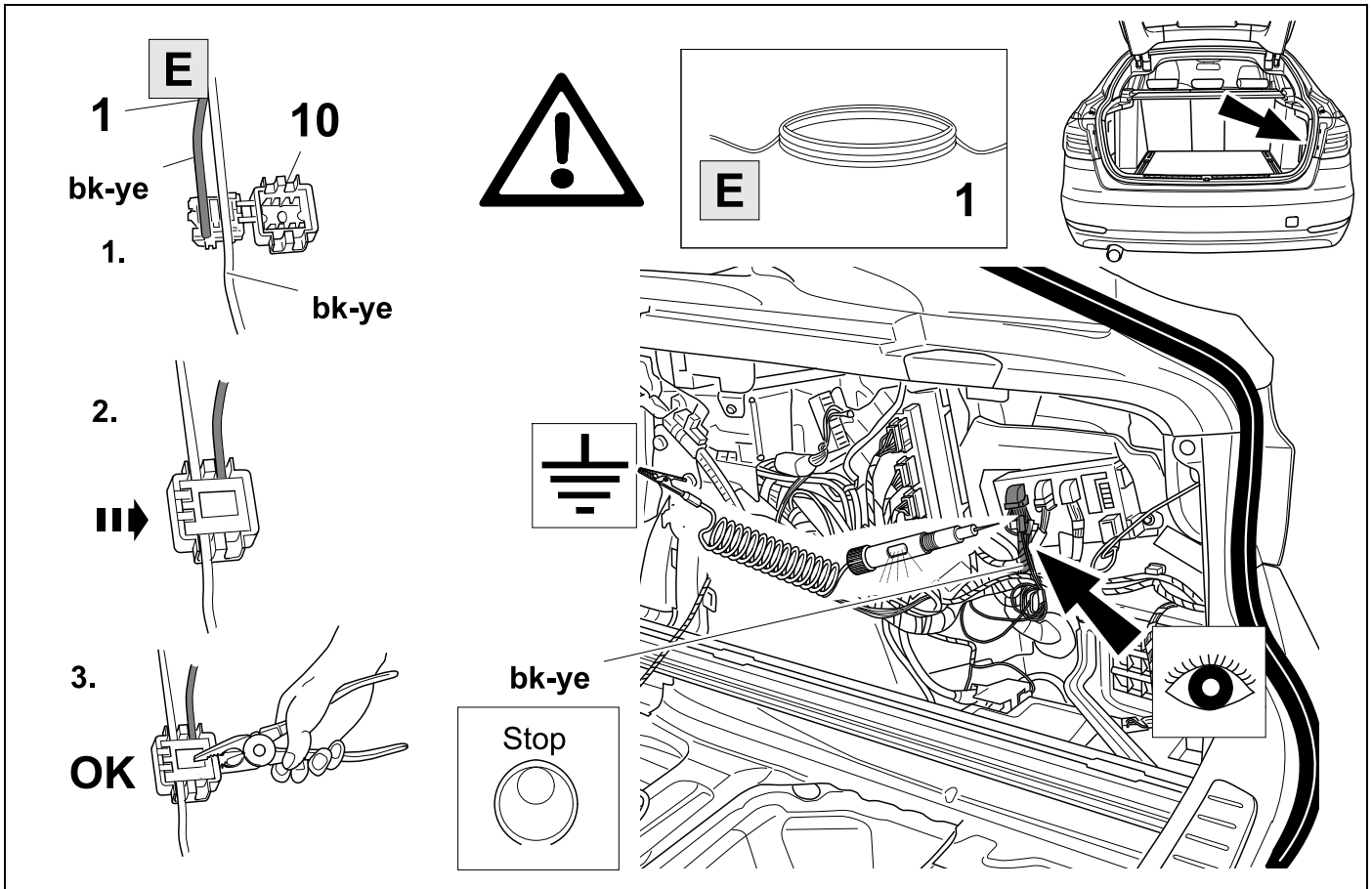


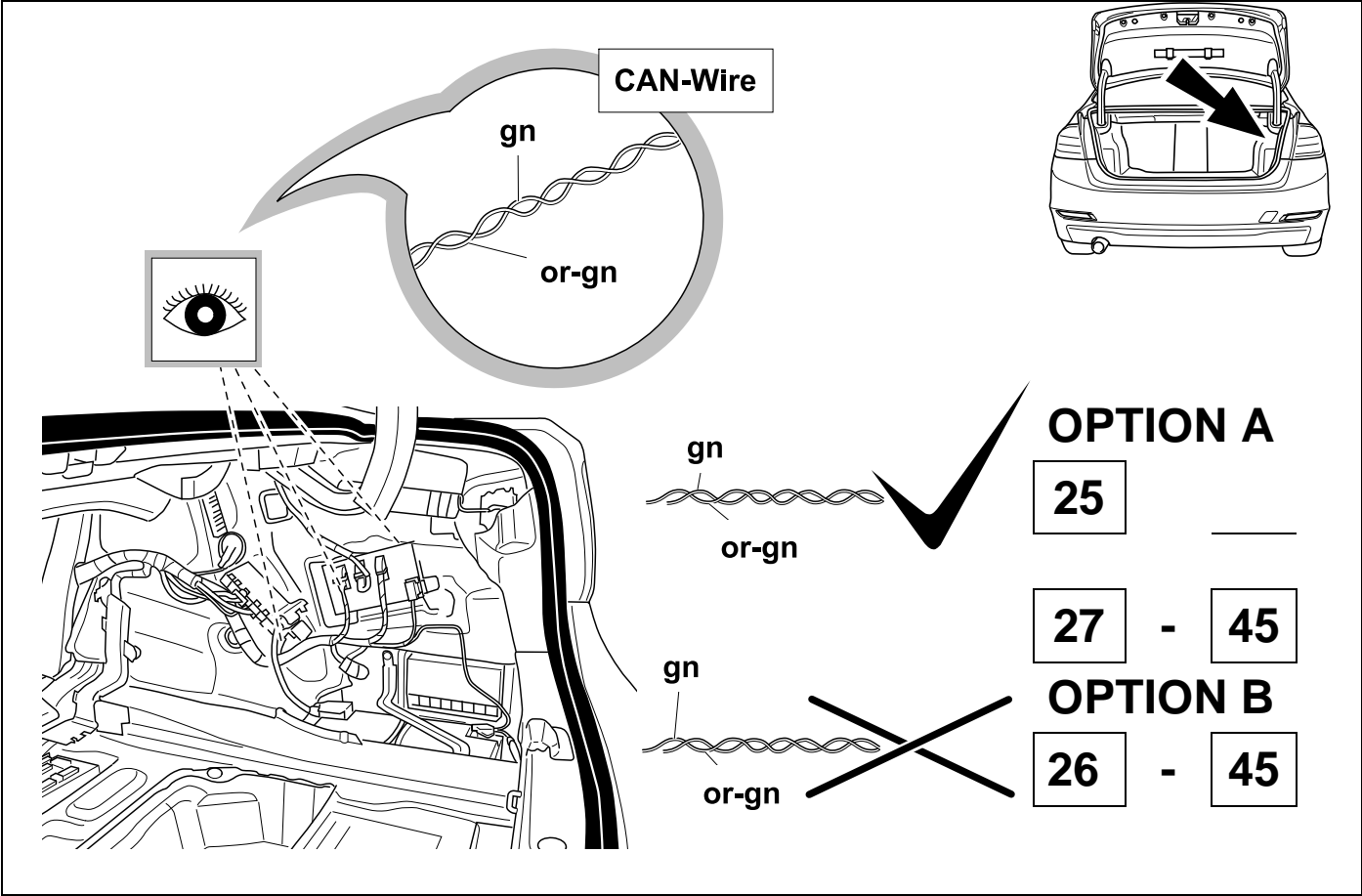


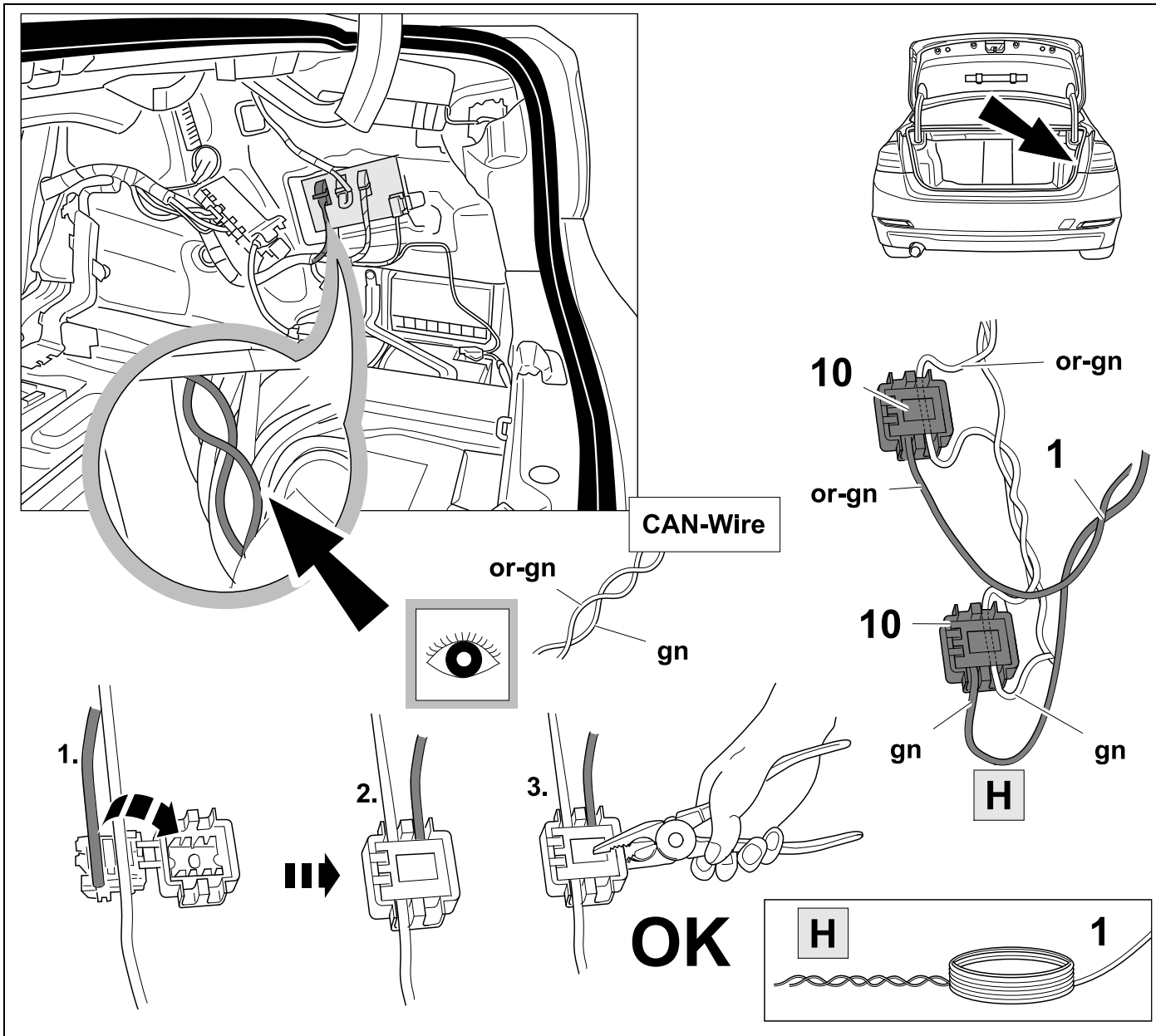


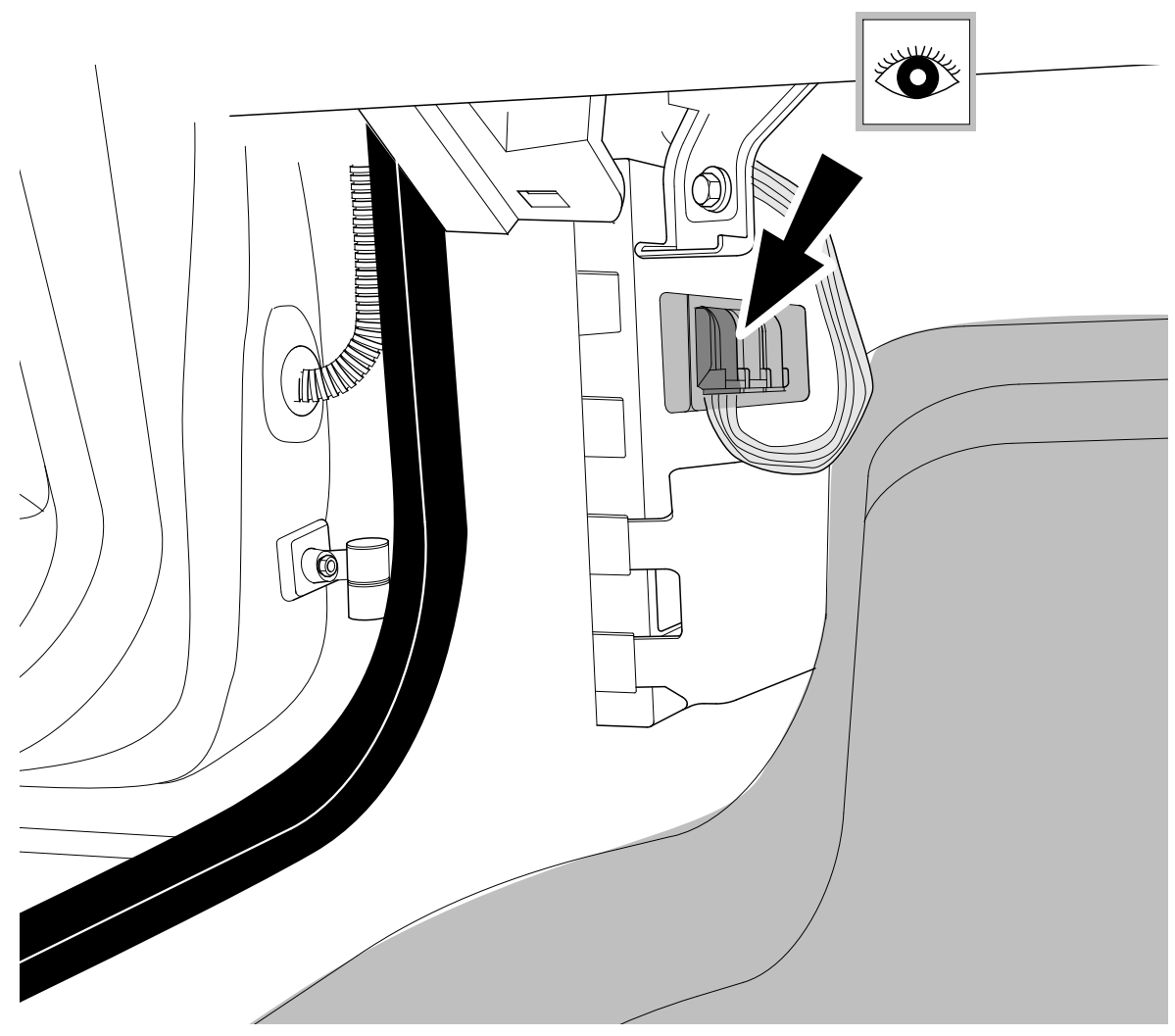
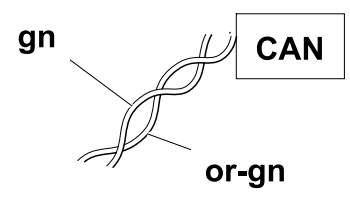
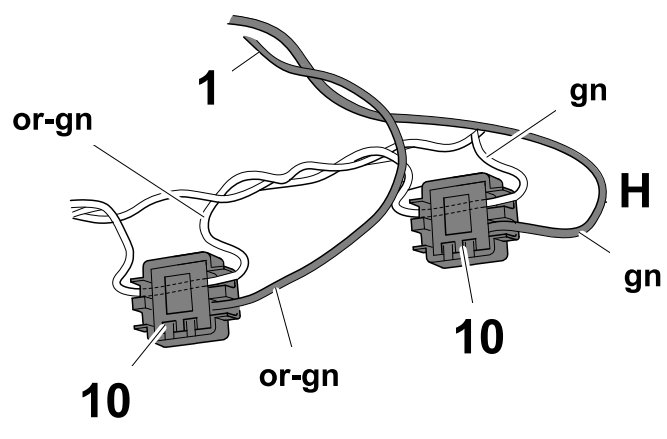
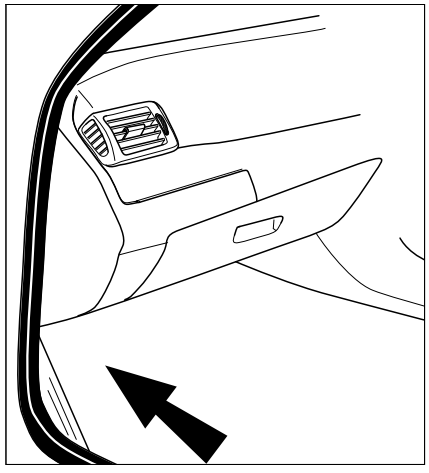
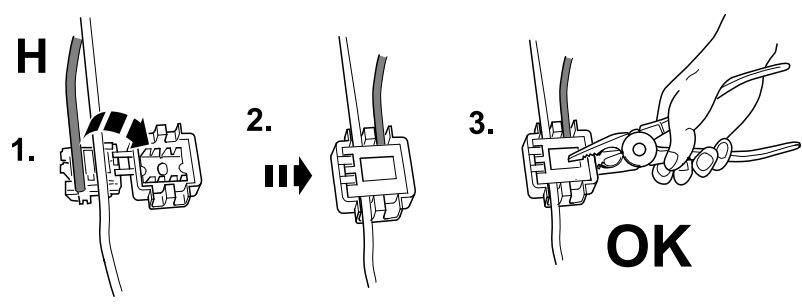




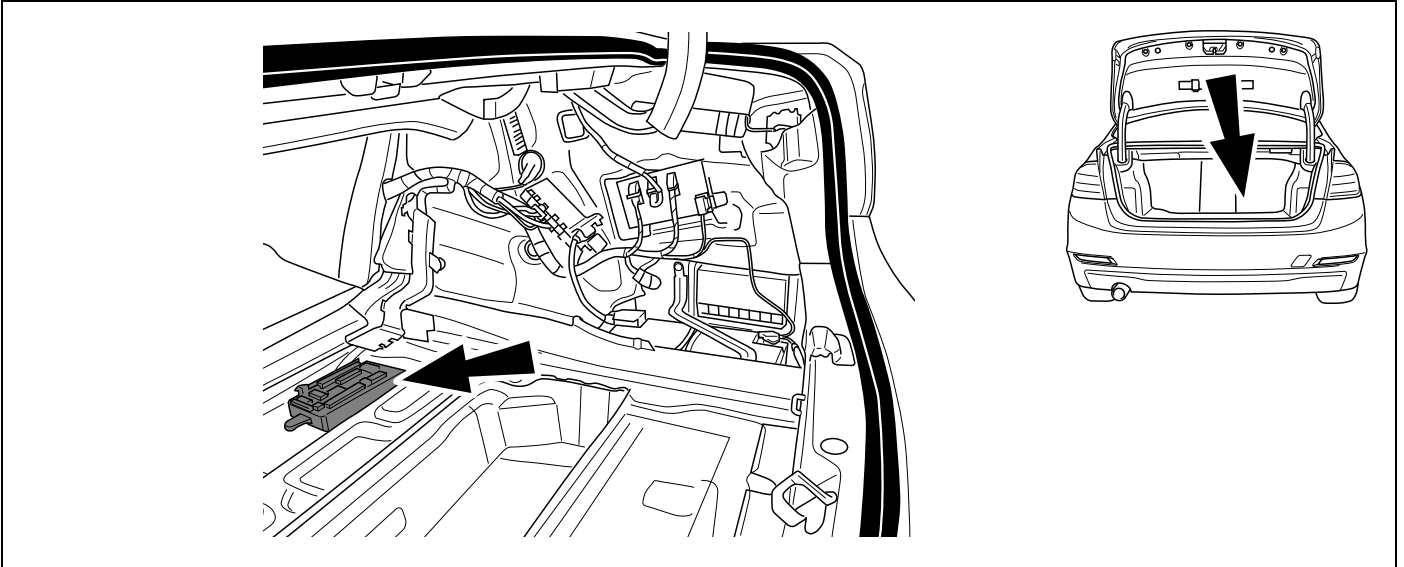








27

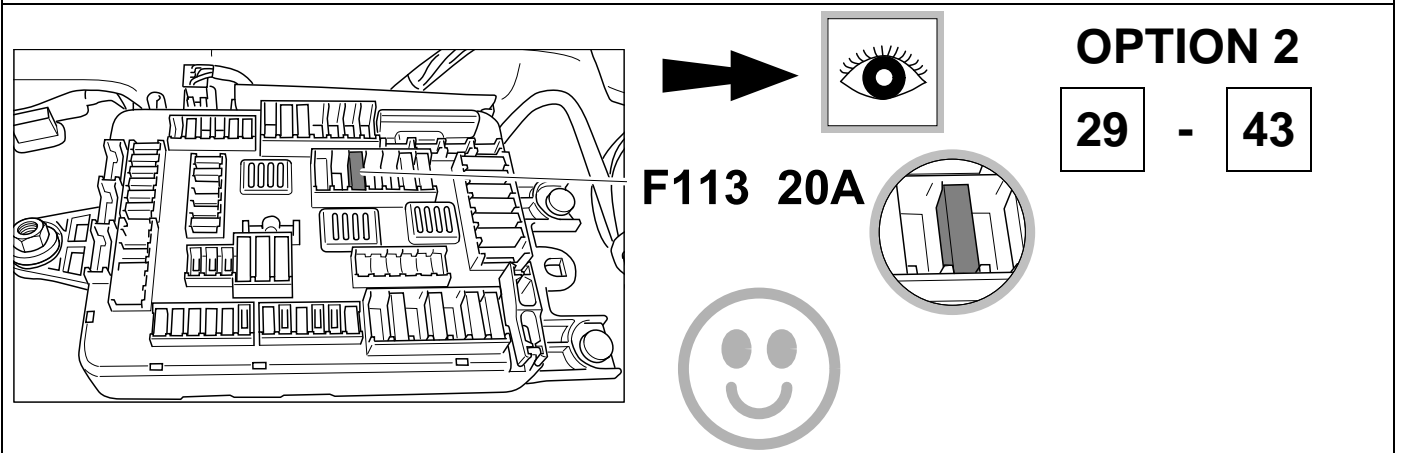
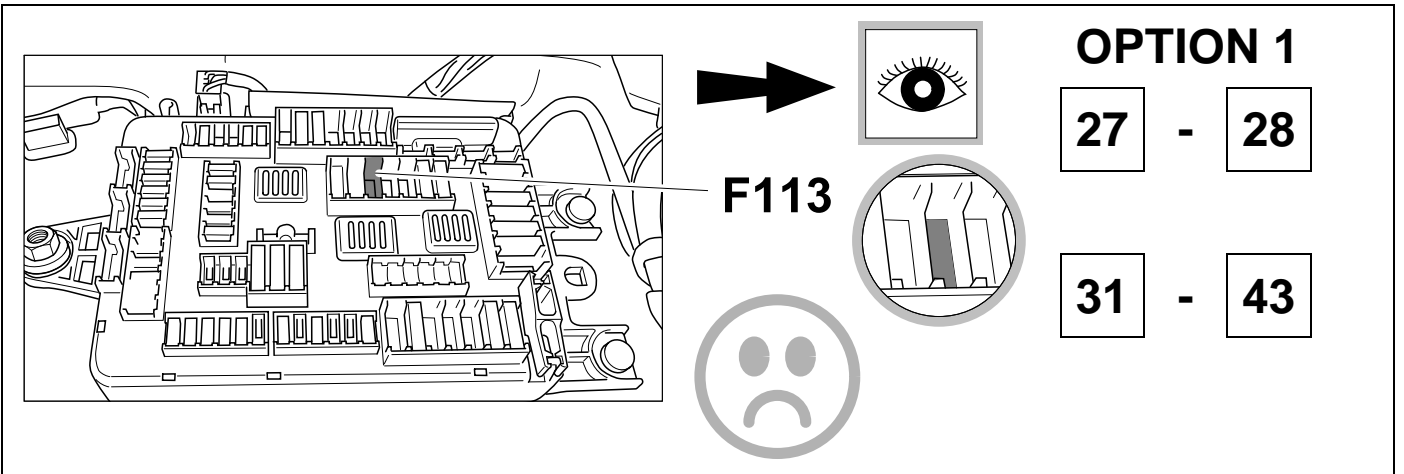


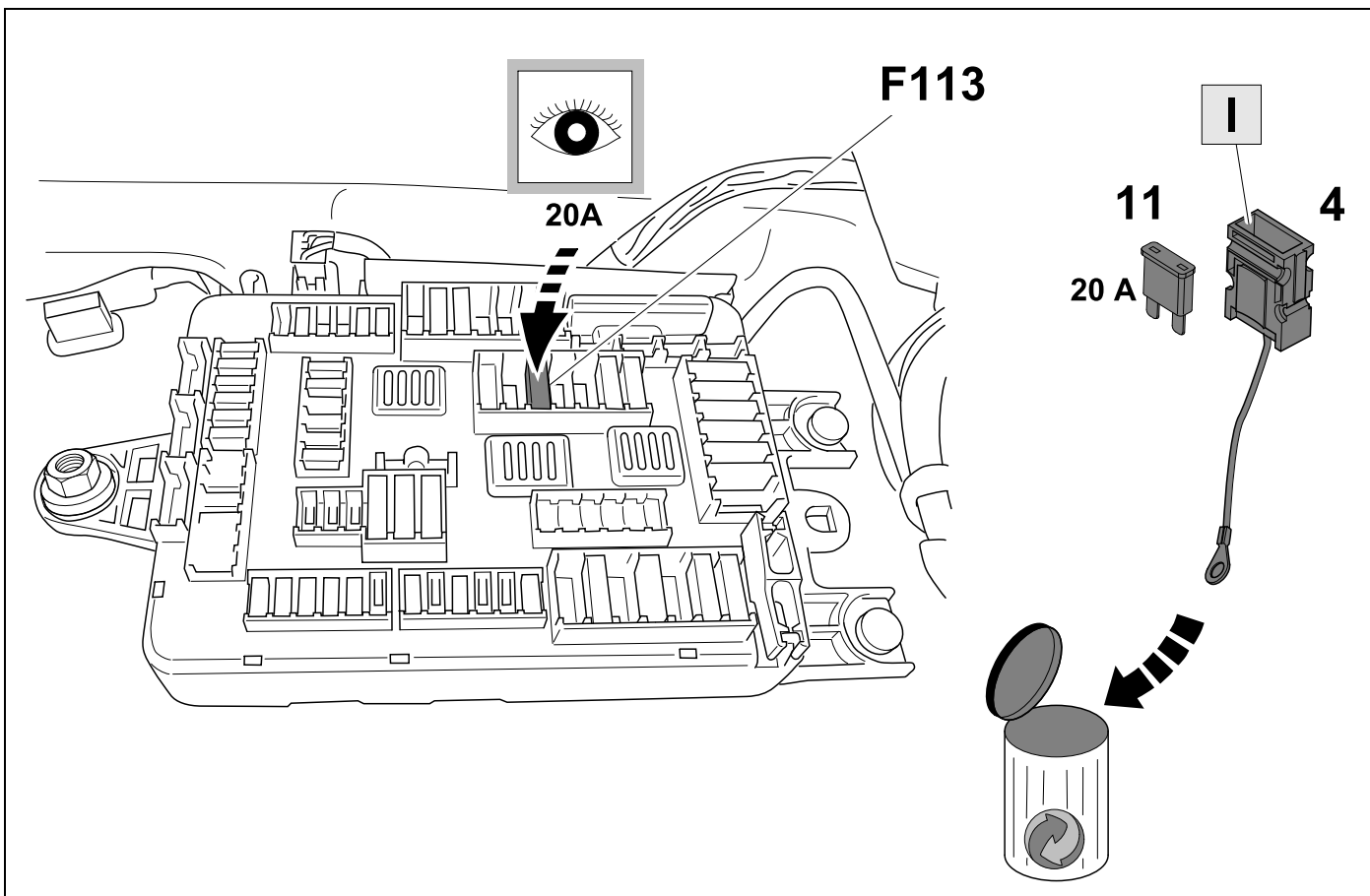
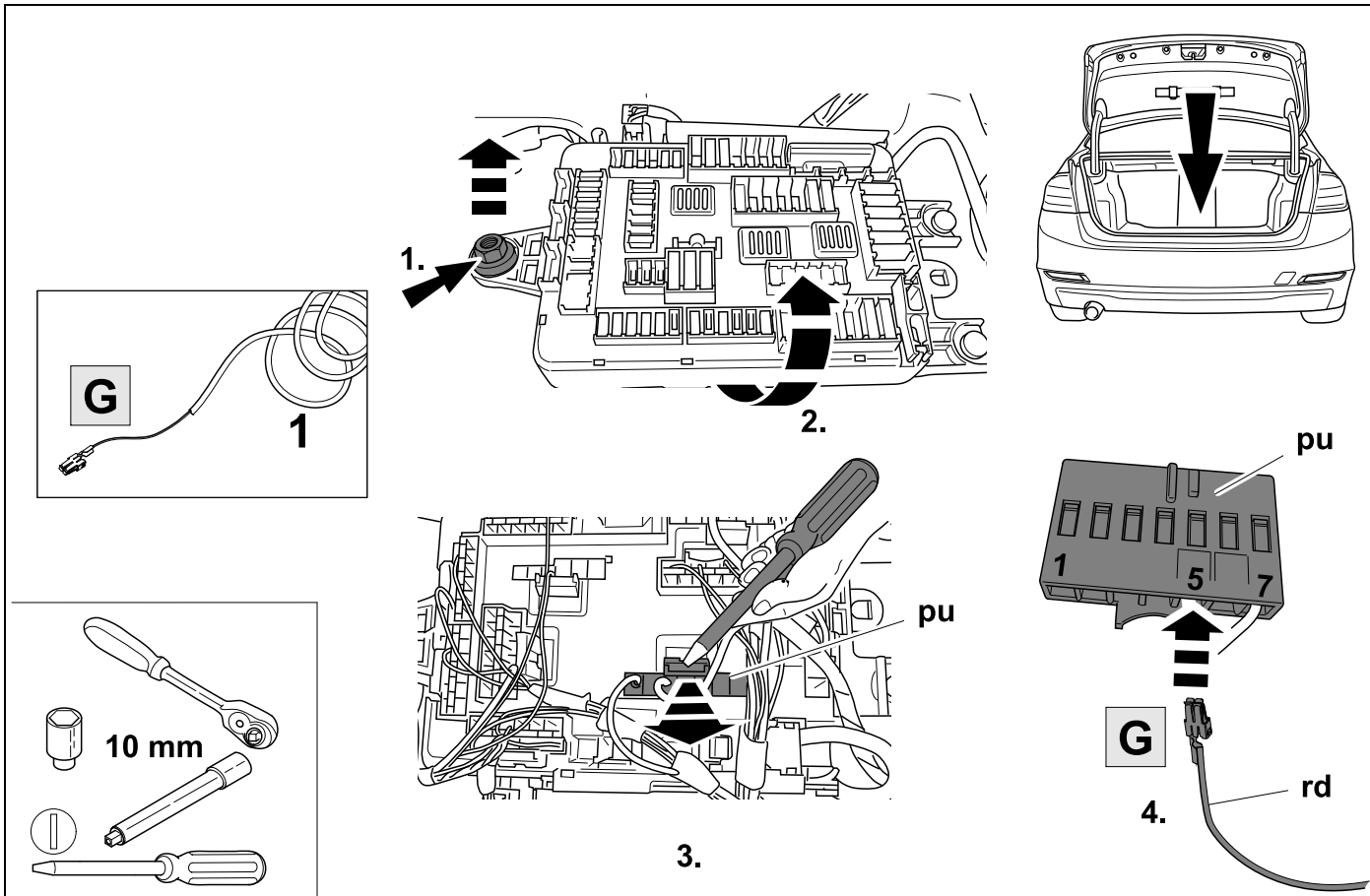
28

F30

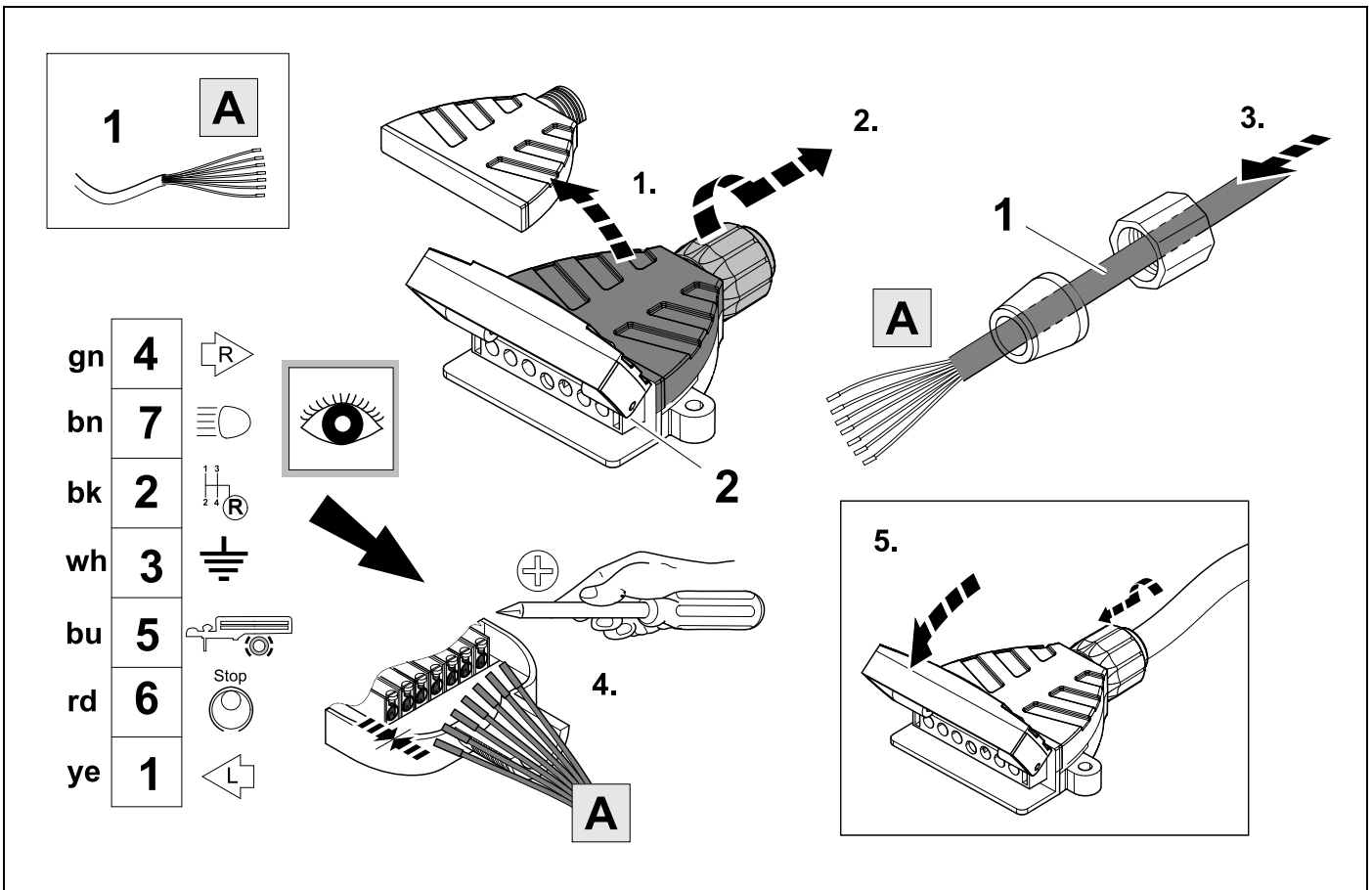
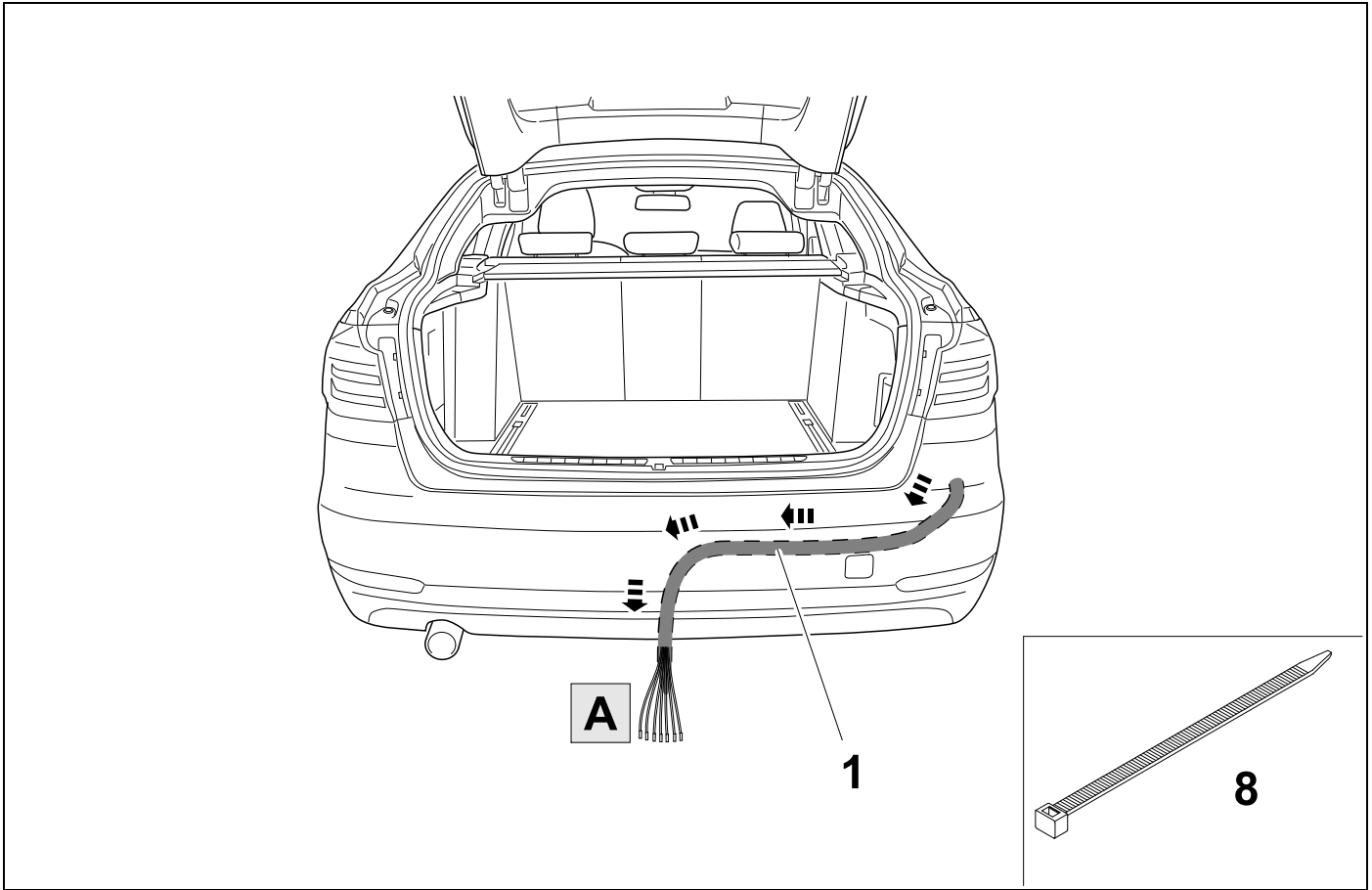
F31

F34



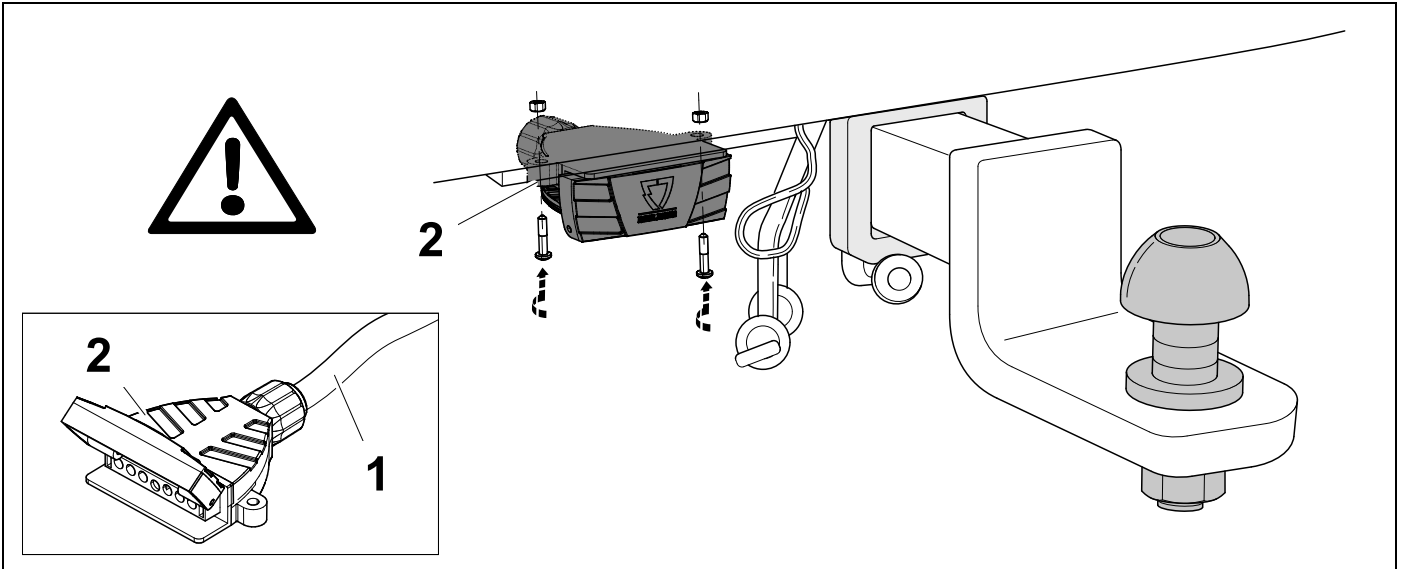








35



36



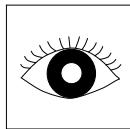
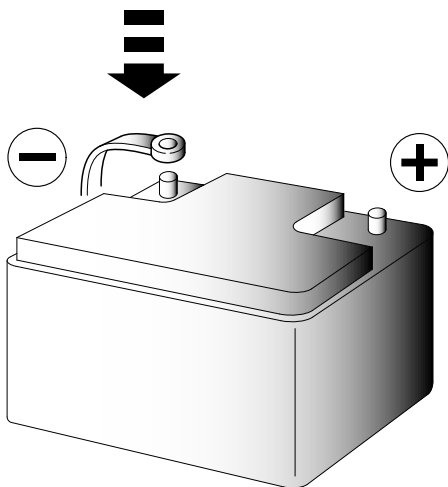
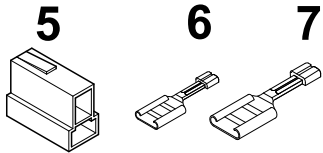
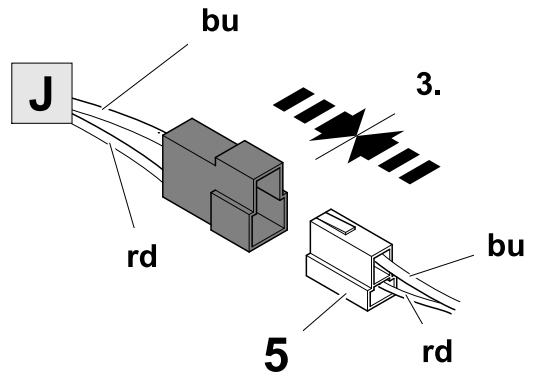
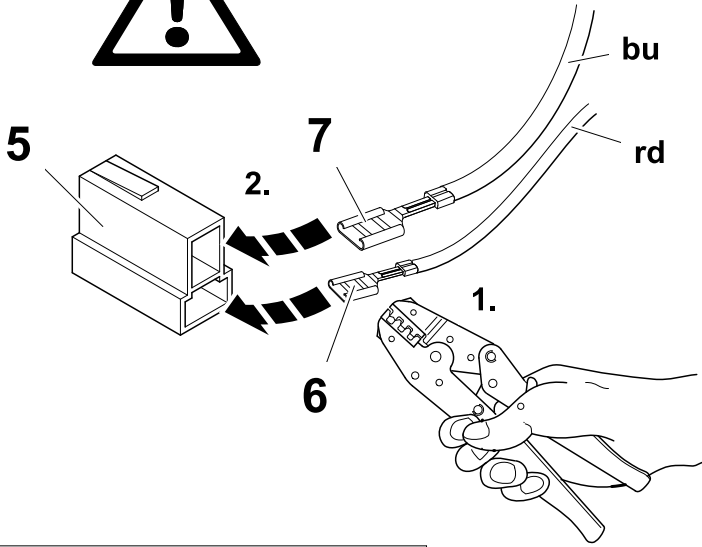
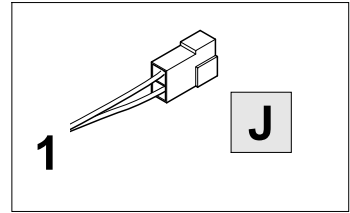
37

1	ye	
2	bk	
3	wh	
4	gn	
5	bu	
6	rd	
7	bn	

37	bk	wh	gy	gn	rd	bu	ye	bn	pu	or	no
	black	white	grey	green	red	blue	yellow	brown	purple	orange	not occupied

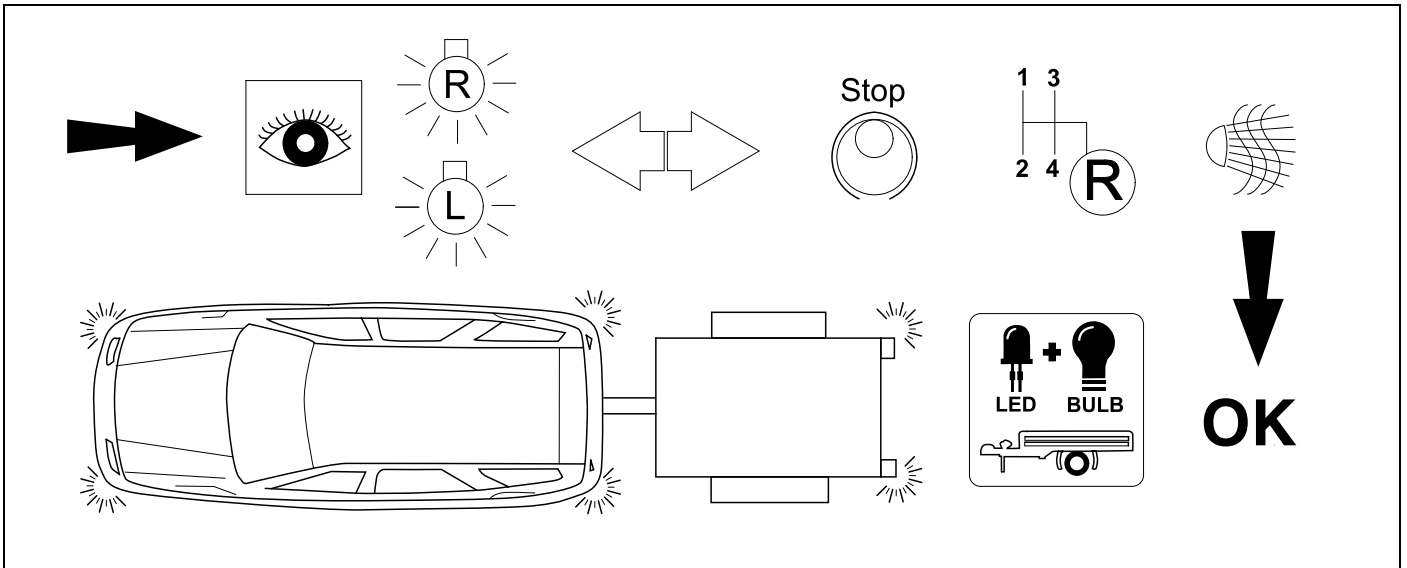


### Trailer Brake Preparation



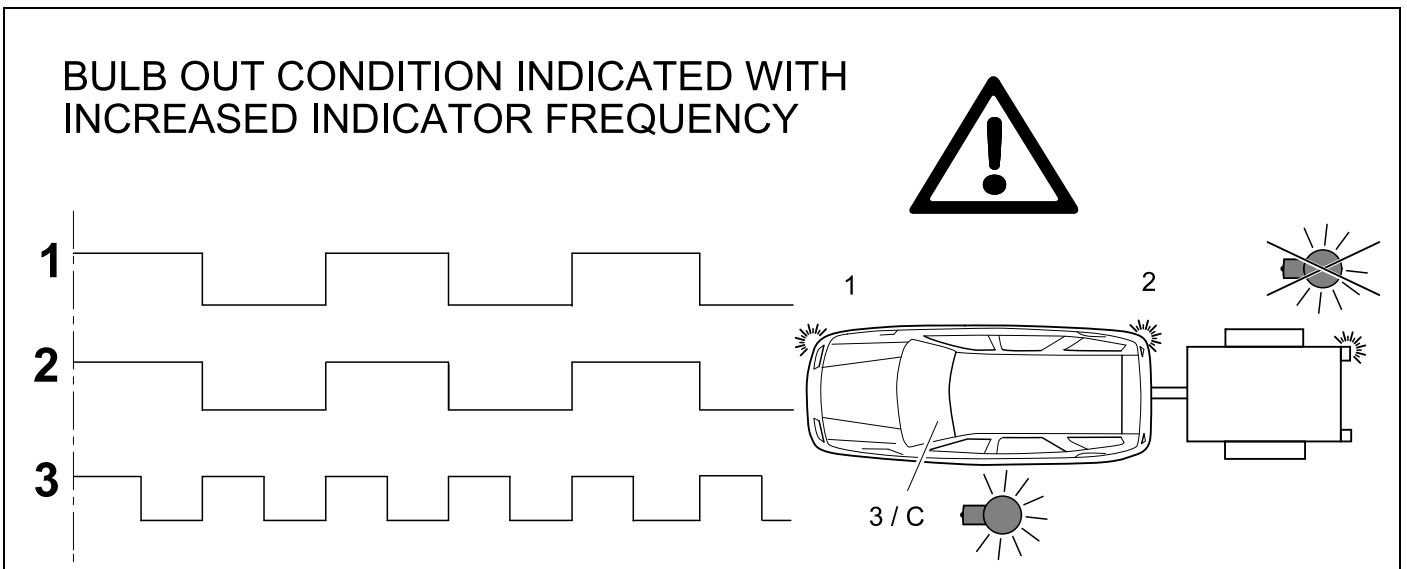
40

# CHECK ALL LIGHTING FUNCTIONS



41

# CHECK BULB OUT DETECTION



42

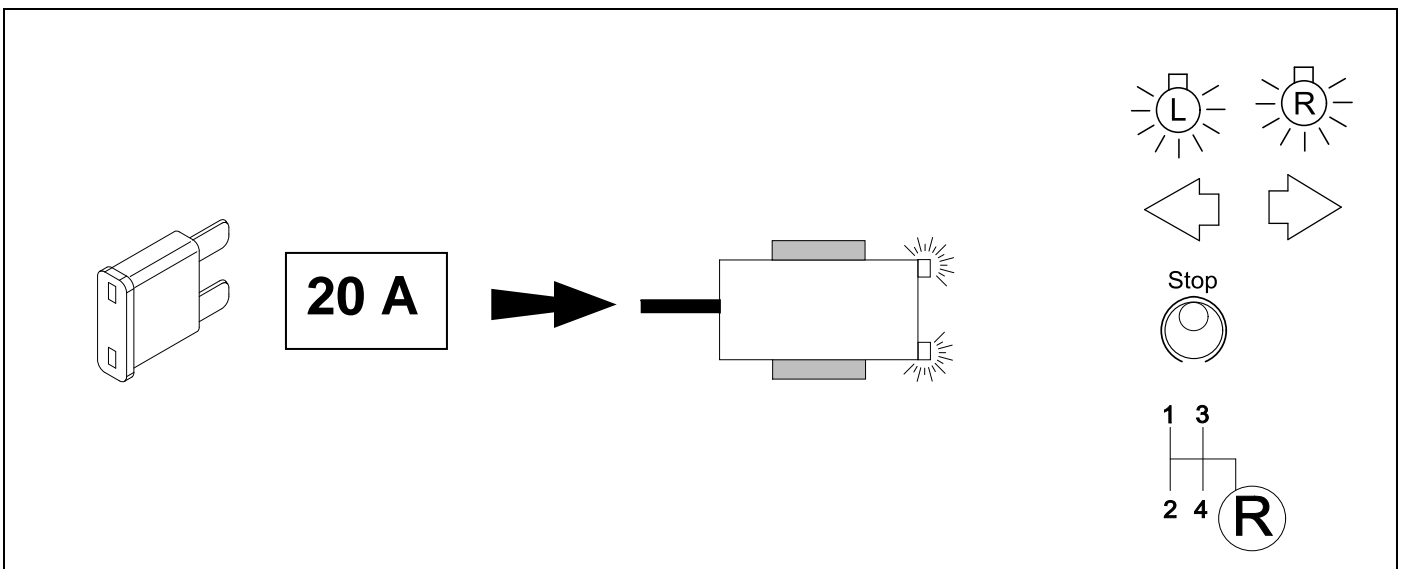
Information Service



30

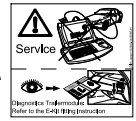
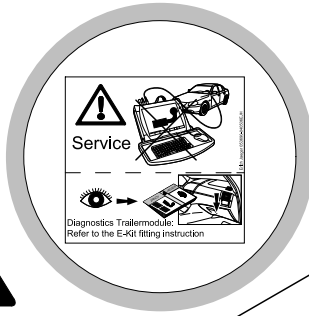
+

32

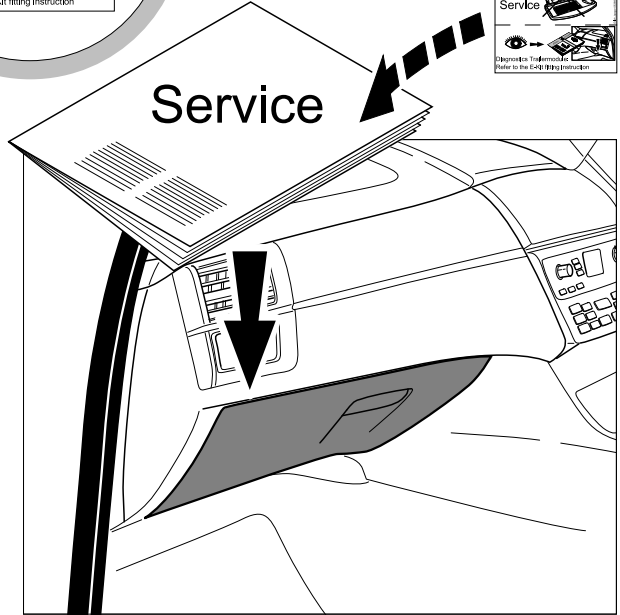
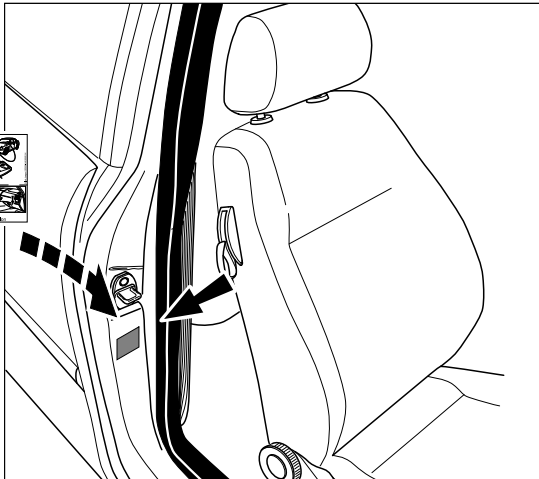




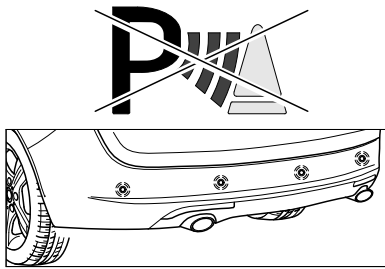
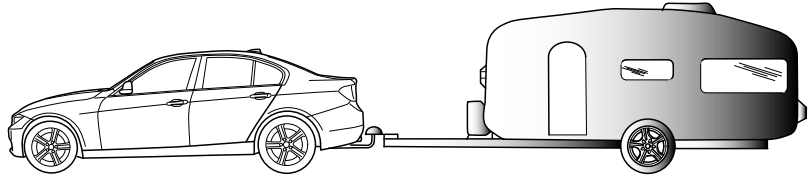
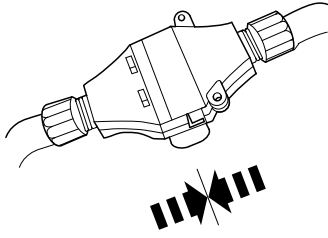
2x 12



Service



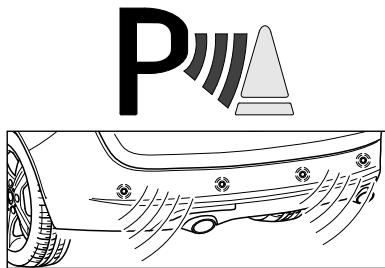
If the PDC does not automatically deactivate, coding and initialization of the module might be required.



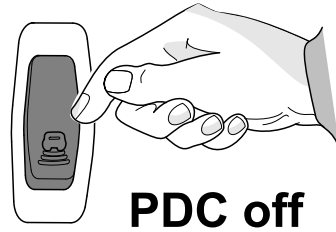
OPTION 1



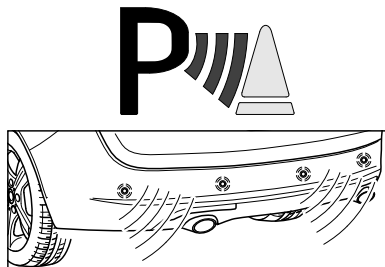
No Coding



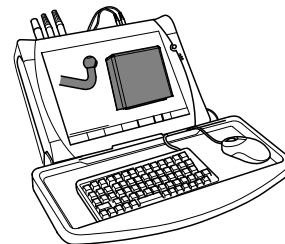
OPTION 2



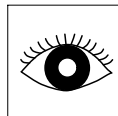
PDC off



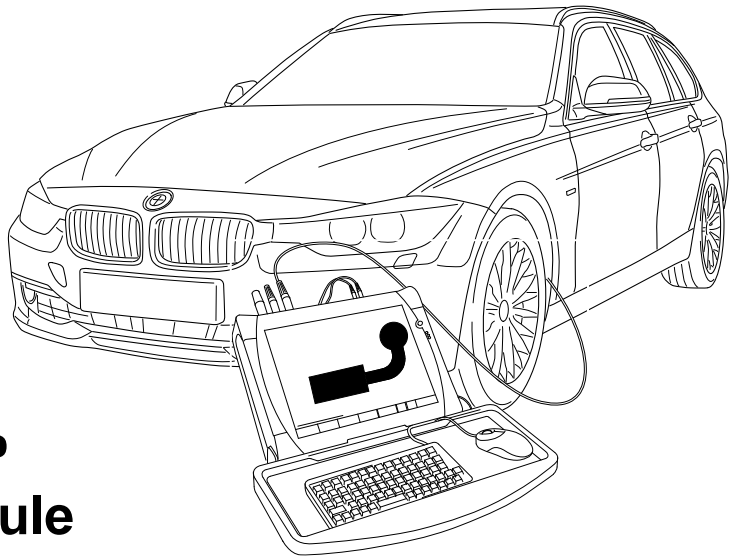
OPTION 3



BMW Service ISTA/P  
Initialize Trailer Module



45



## BMW Service ISTA/P Initialize Trailer Module



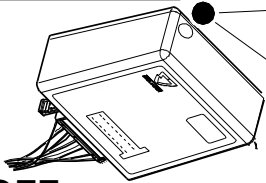
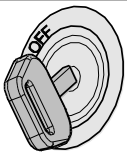
**Please effect coding as follows:**

- Connect computer to vehicle
- Start ISTA/P
- Click "Modification / Upgrades"
- Scan Action plan
- Click „Coding (Ethernet)“
- Scan Action program follow-up
- Final report checking

**After the effected connection, the rear park assist system will also automatically be deactivated in trailer operation!**

# Status LED for self-diagnosis

## Operation Support



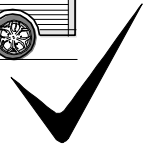
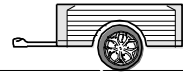
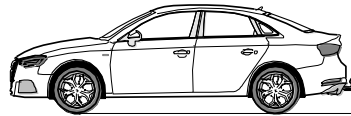
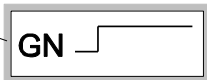
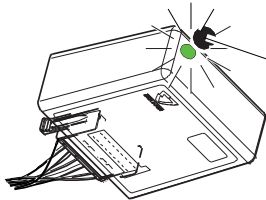
No CAN-Data =



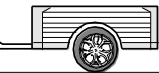
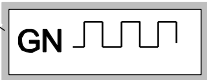
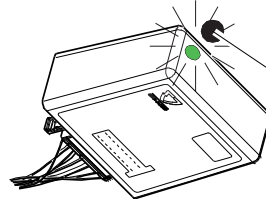
Standby / Sleepmode



Ignition OFF



Ignition ON



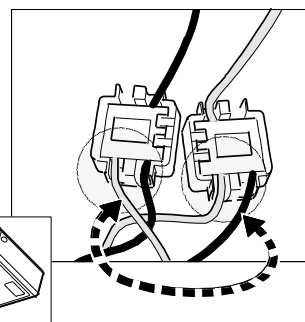
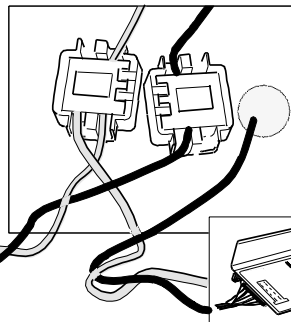
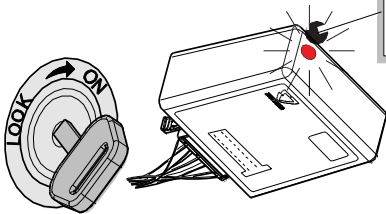
Ignition ON

## Failure Support

CAN-Data Wire

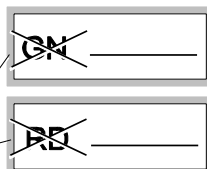
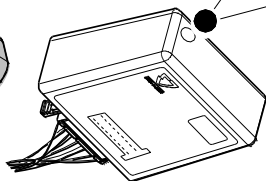
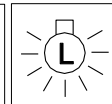
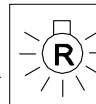


1x max. 5 min.

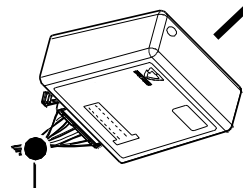
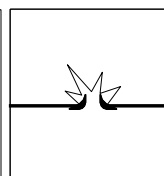
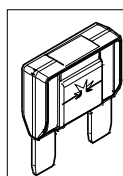
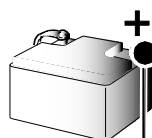


Ignition ON

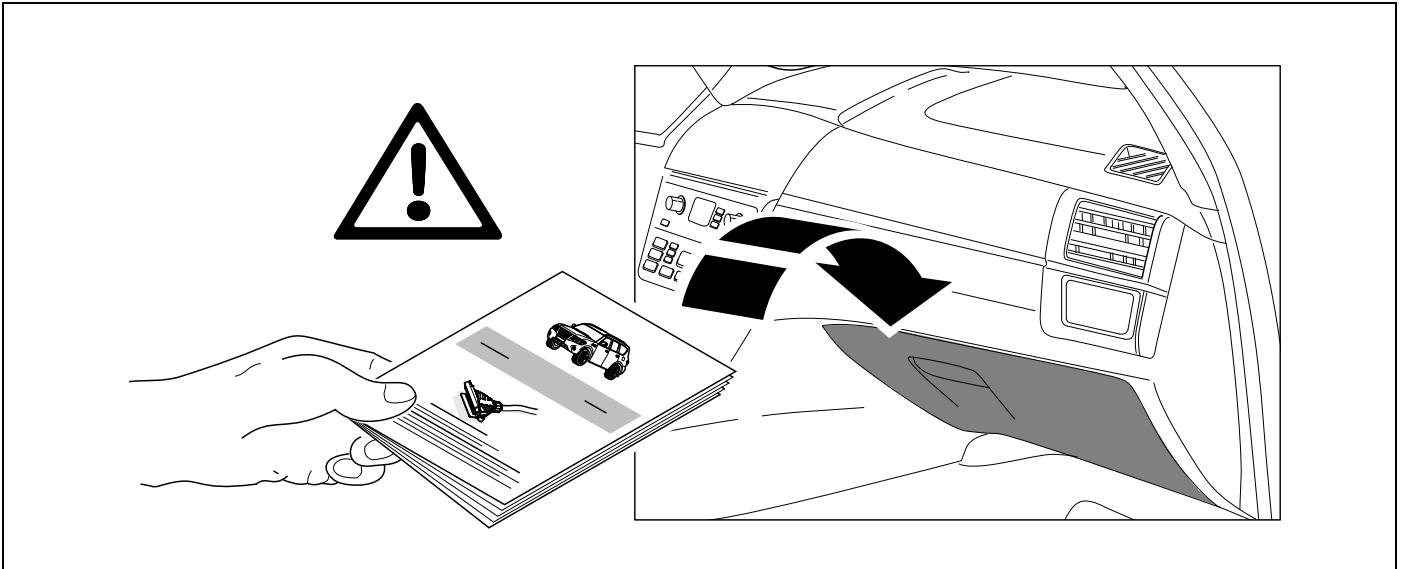
Failure indicated by the module LED glowing red for a maximum of 5 minutes. If trailer connected the tail lights will also glow indicating failure of CAN signal.



or



Ignition ON



Subject to change in terms of construction, equipment and colour, and may contain errors.  
The information and illustrations are non-binding.