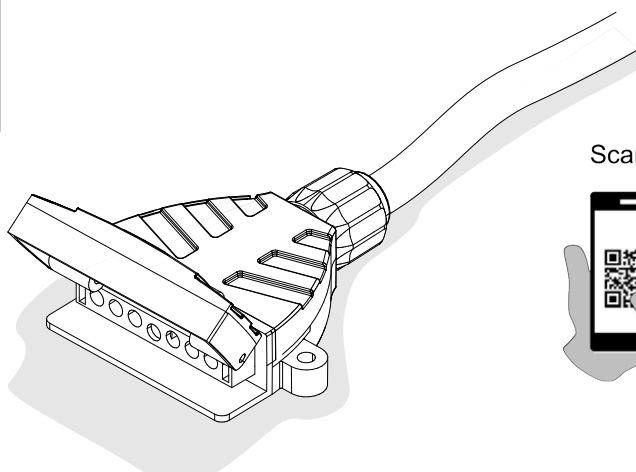
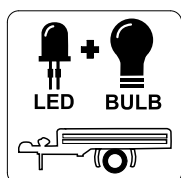


BMW 4-Serie Coupe	F32	09/13 >> 02/14
BMW 4-Serie Cabrio	F33	10/13 >> 02/14
BMW 4-Serie Gran Coupe	F36	10/13 >> 02/14

750018



Scan this for our full E-Kit catalogue



Installation instructions

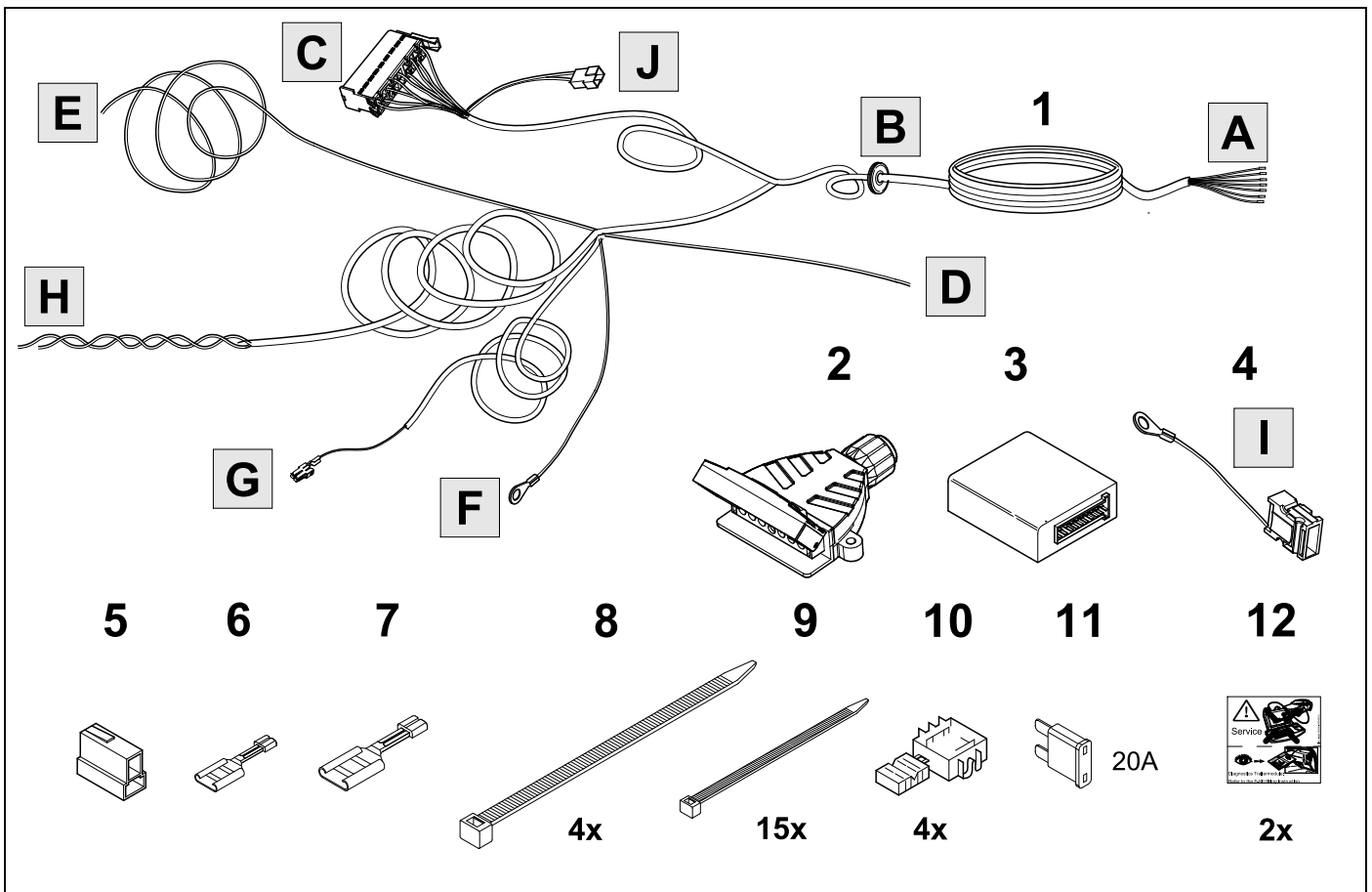
Reference:

The following information must be reviewed before beginning the assembly:

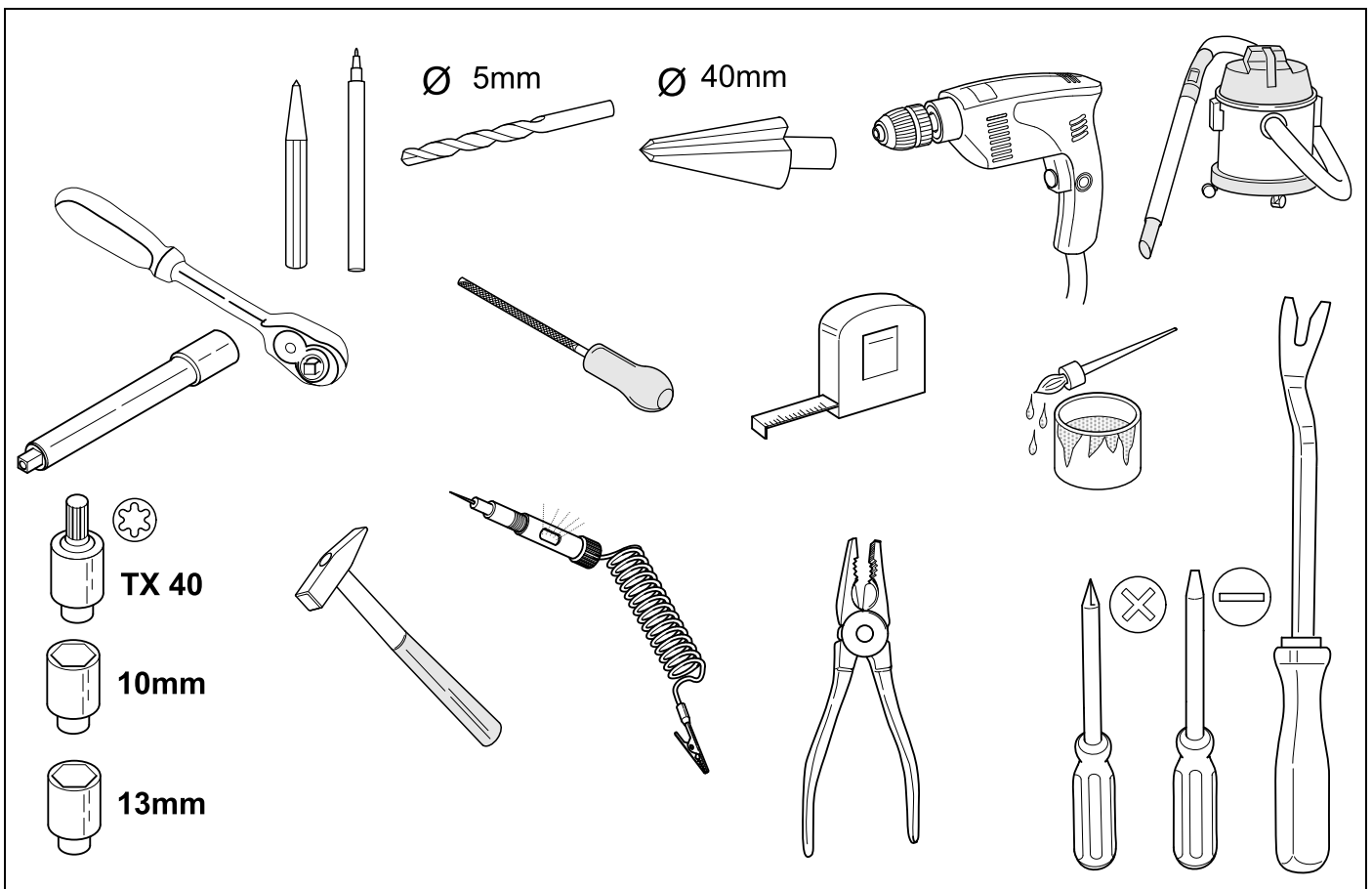


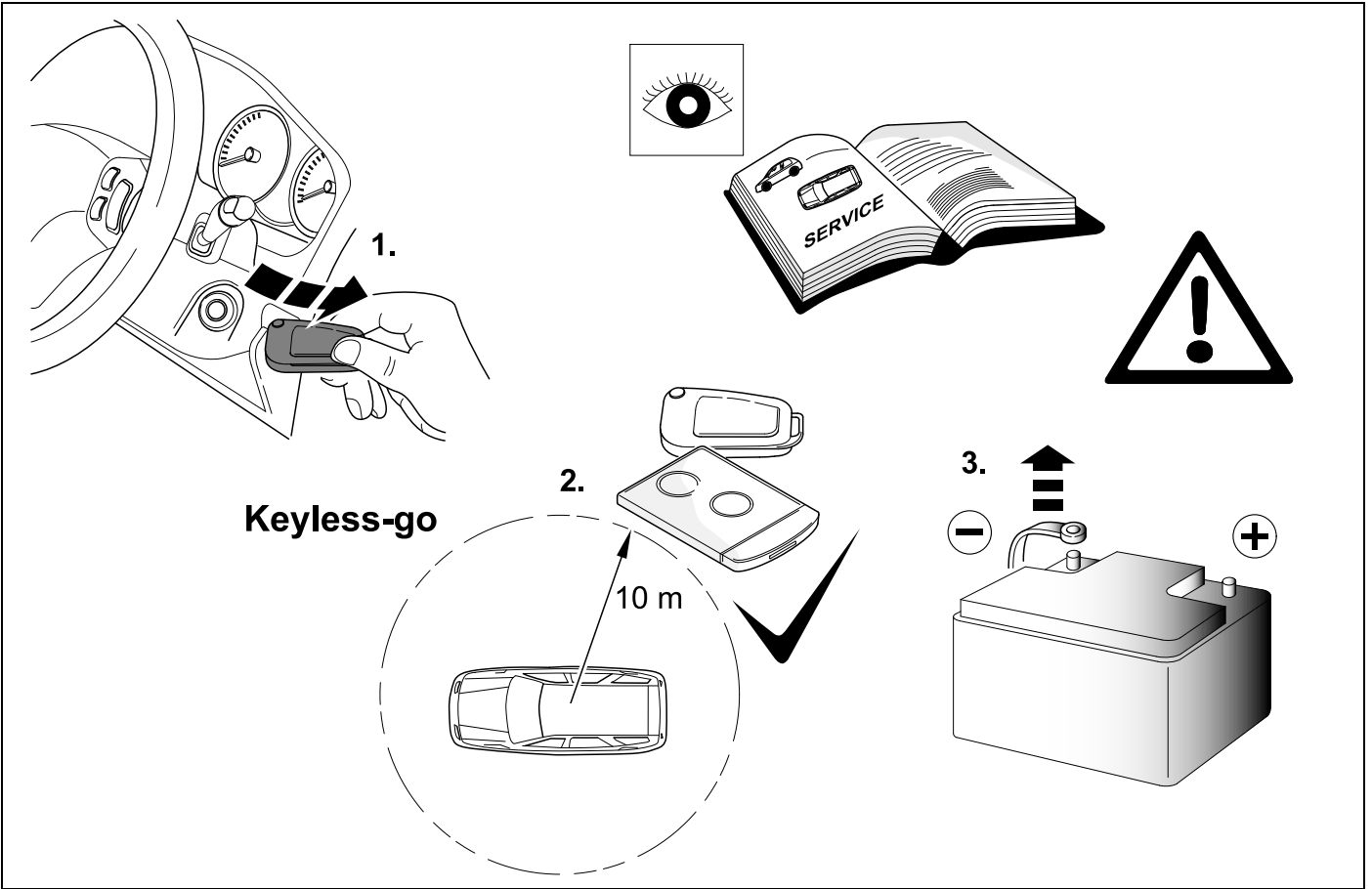
The installation instructions are to be thoroughly read.
 The installation should be carried out by qualified personnel with the relevant technical knowledge.
 The vehicle manufacturers' current technical notices and information on retrofitting must be followed.
 The removal and replacement instructions found in the current repair manuals must be followed.
 It must be ensured that the vehicle is technically suitable for the installation of a trailer hitch.

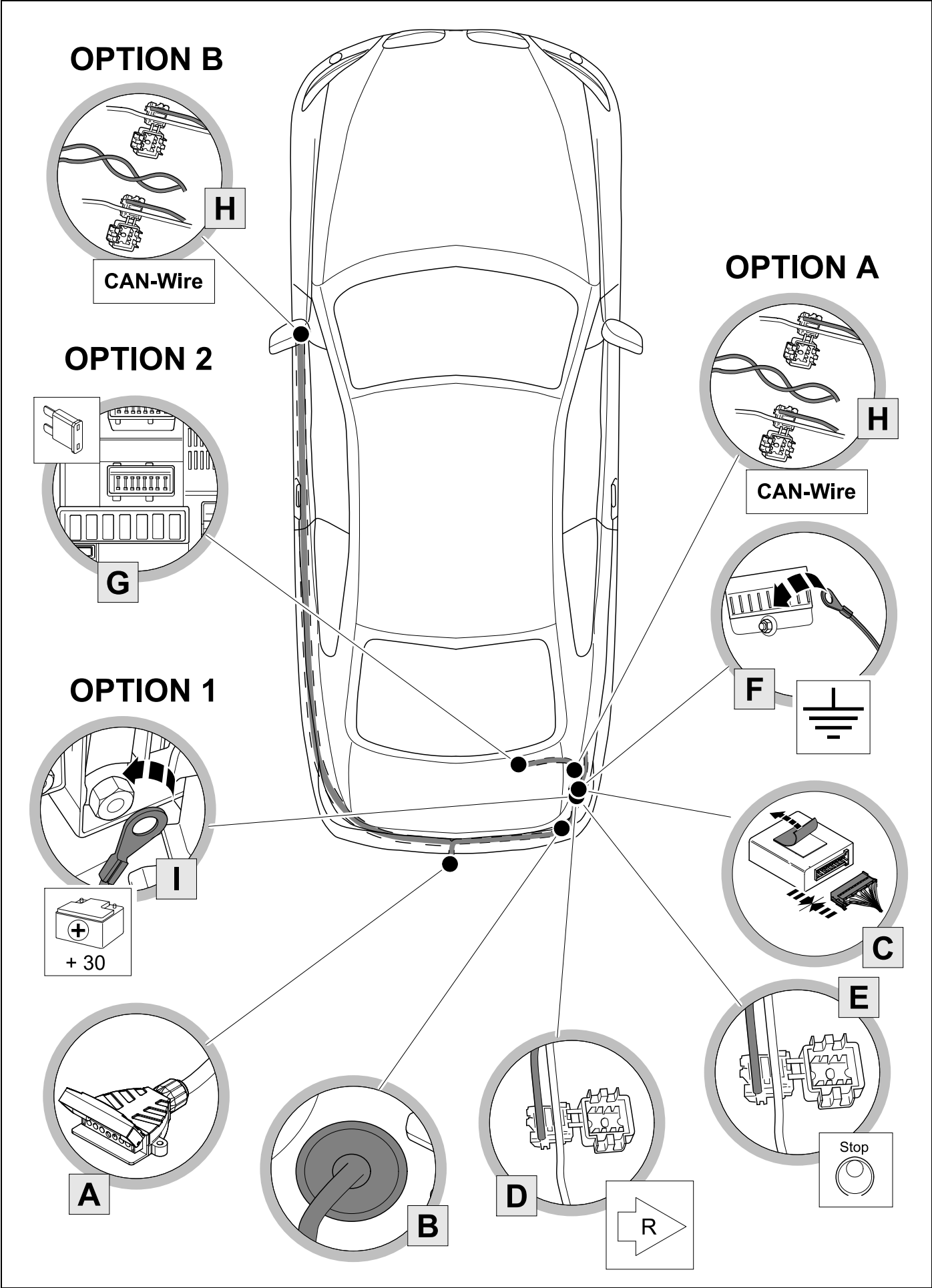
KIT

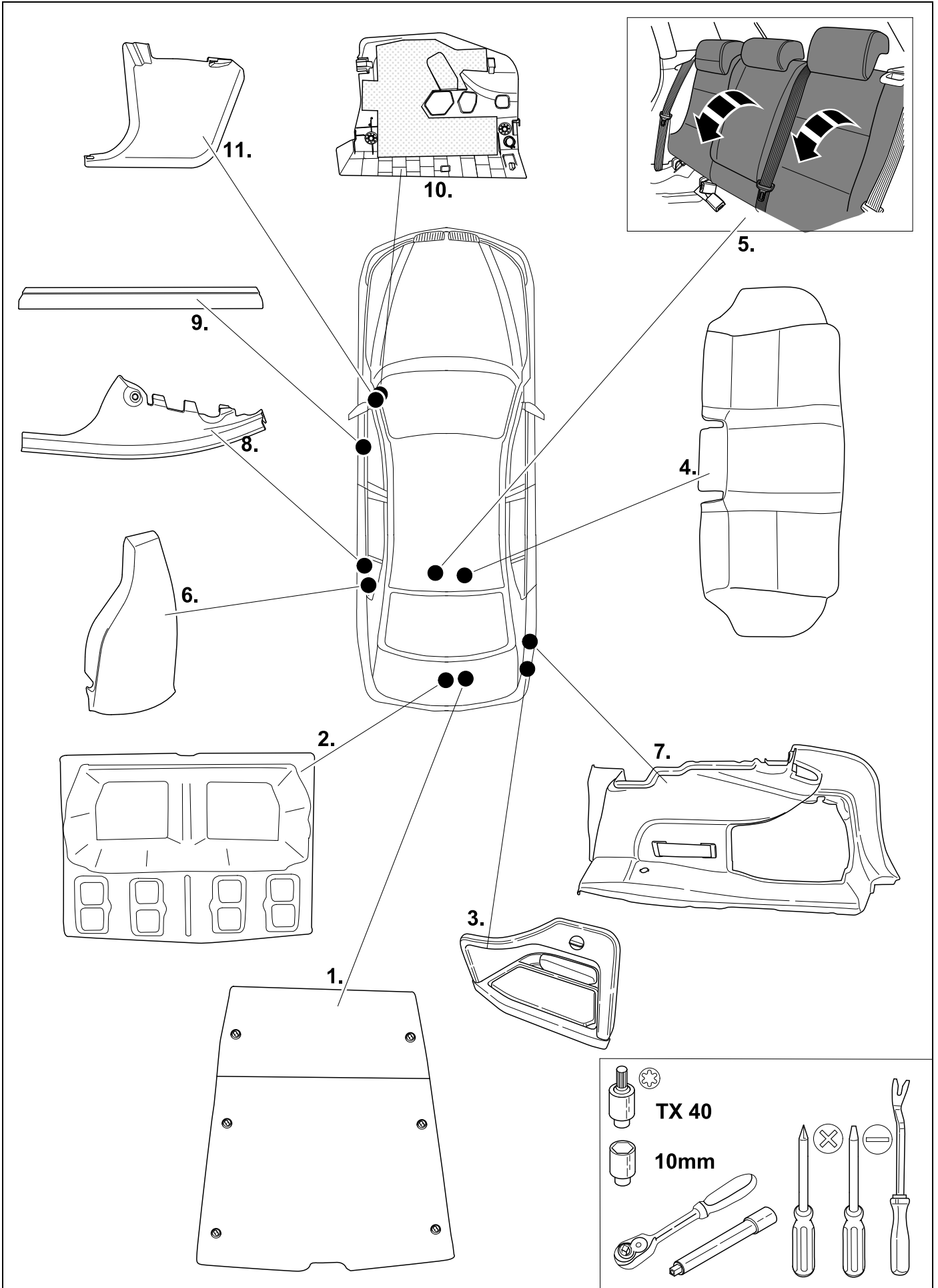


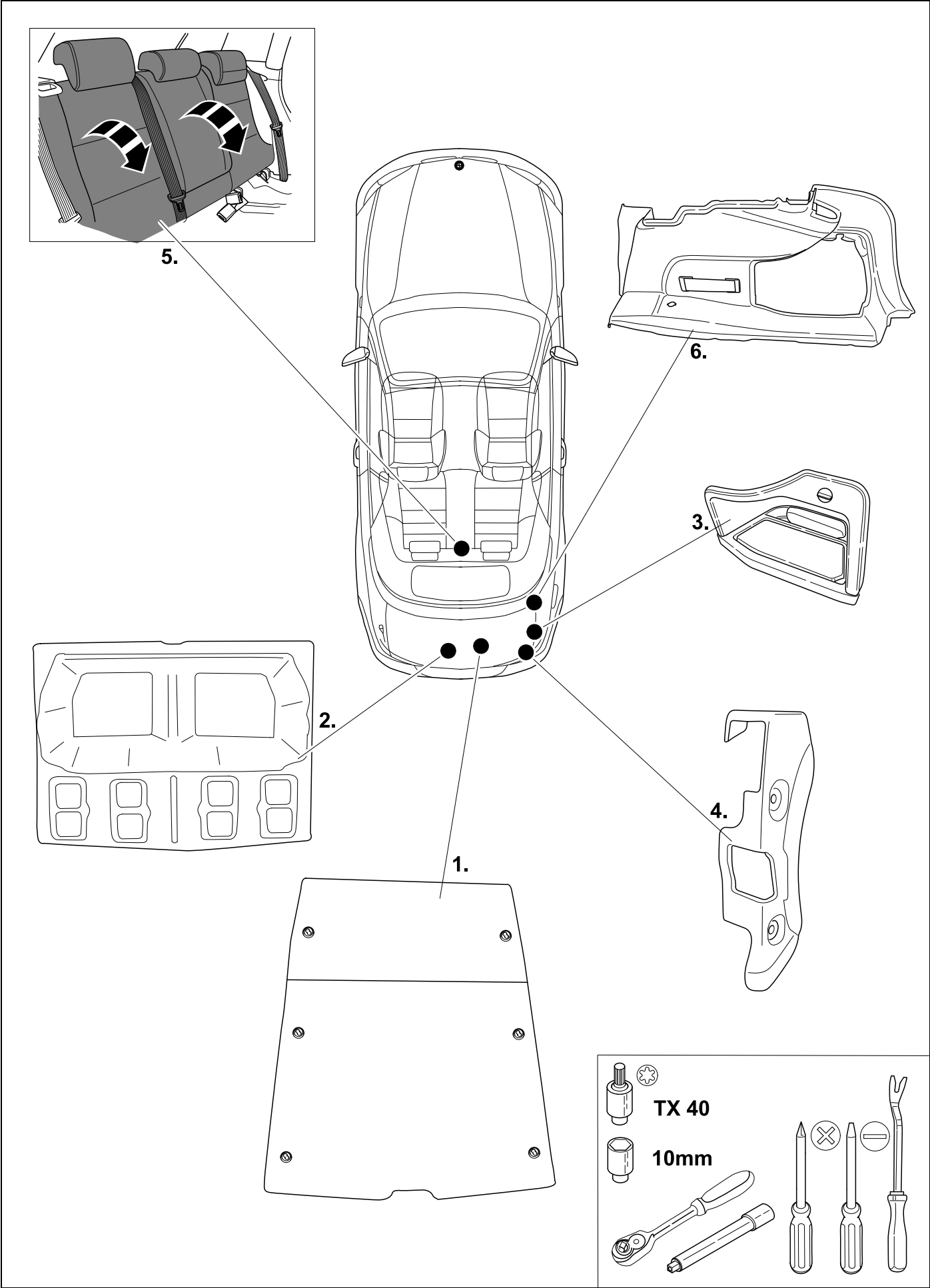
TOOLS



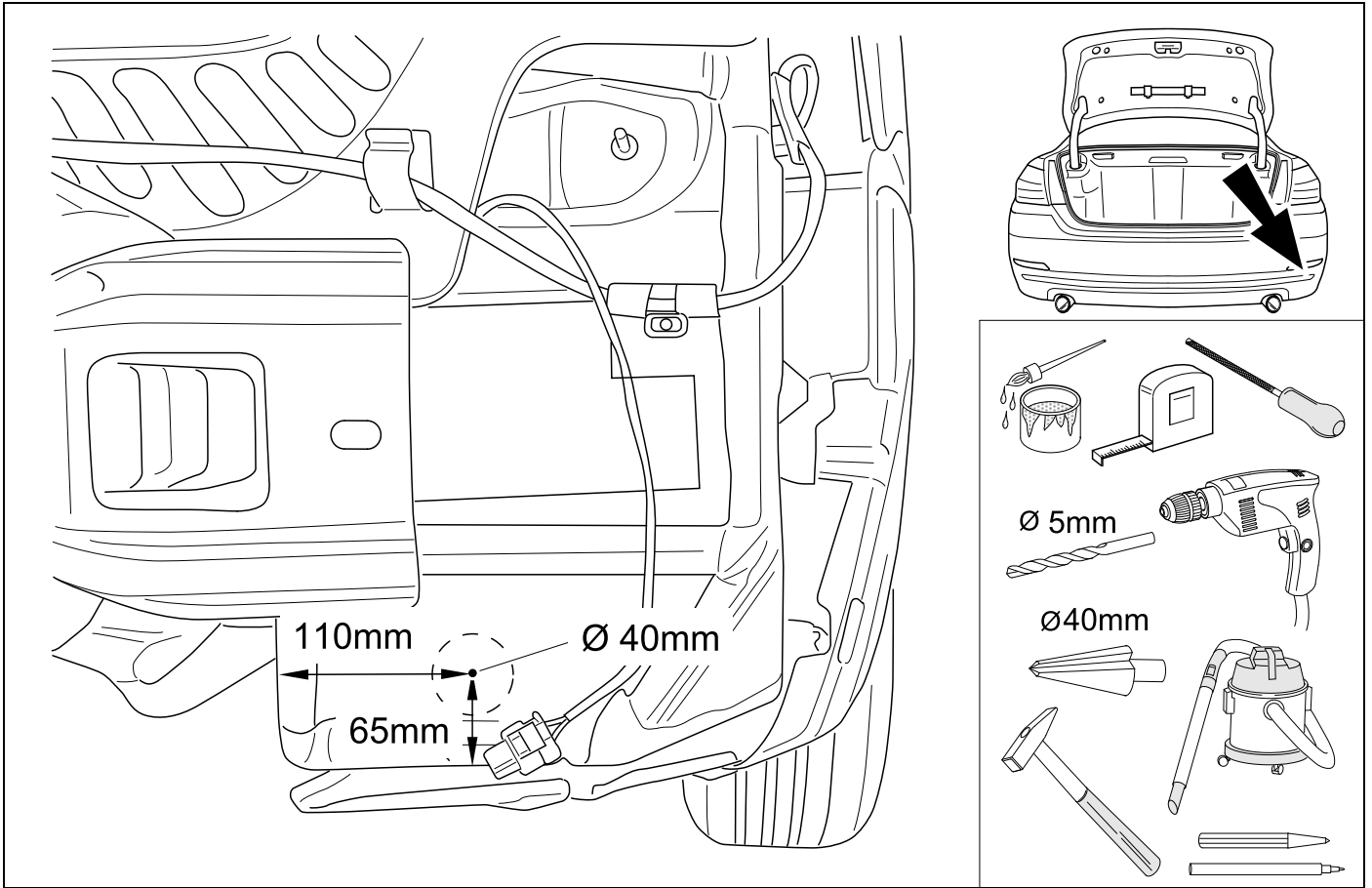




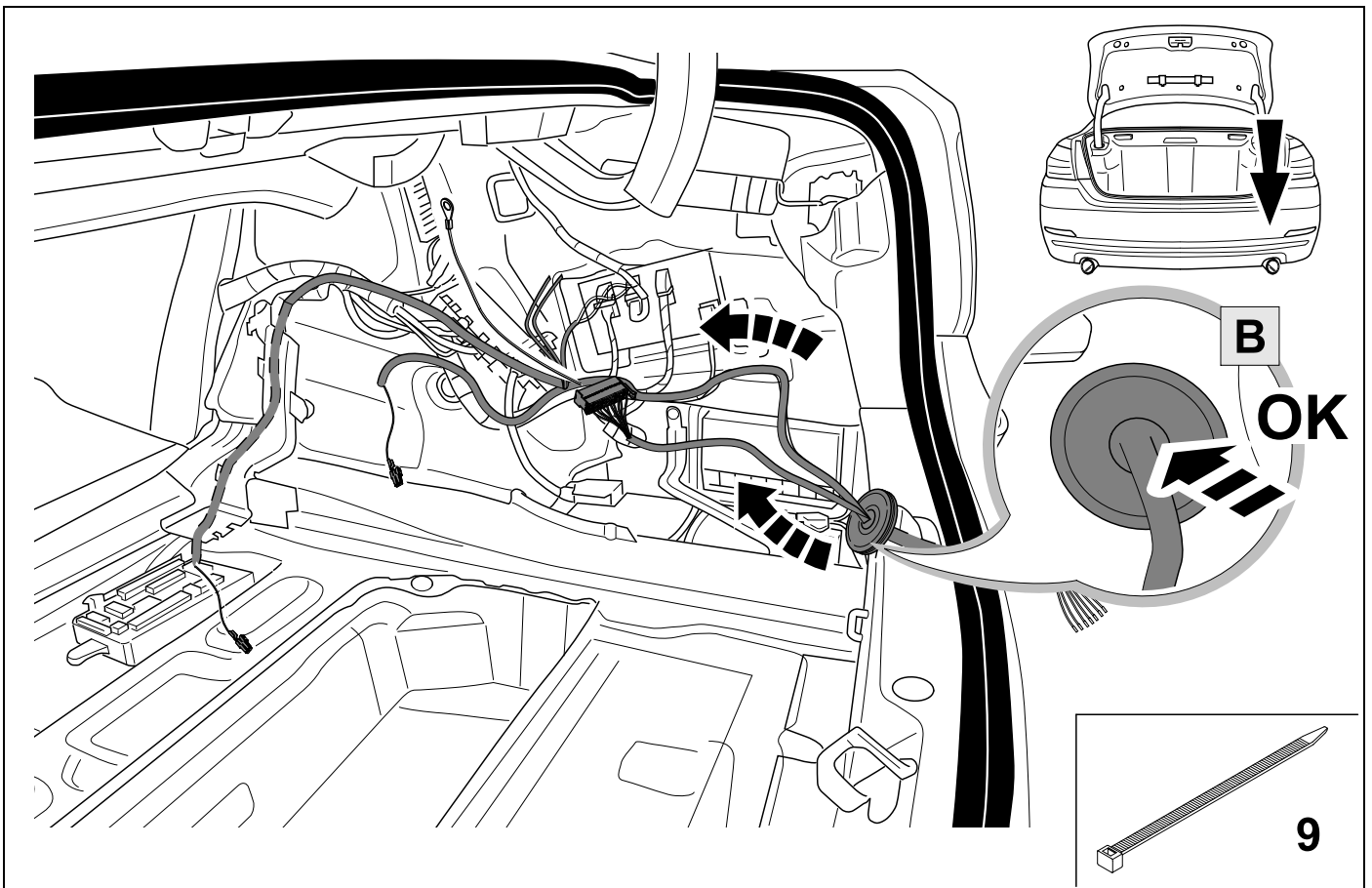




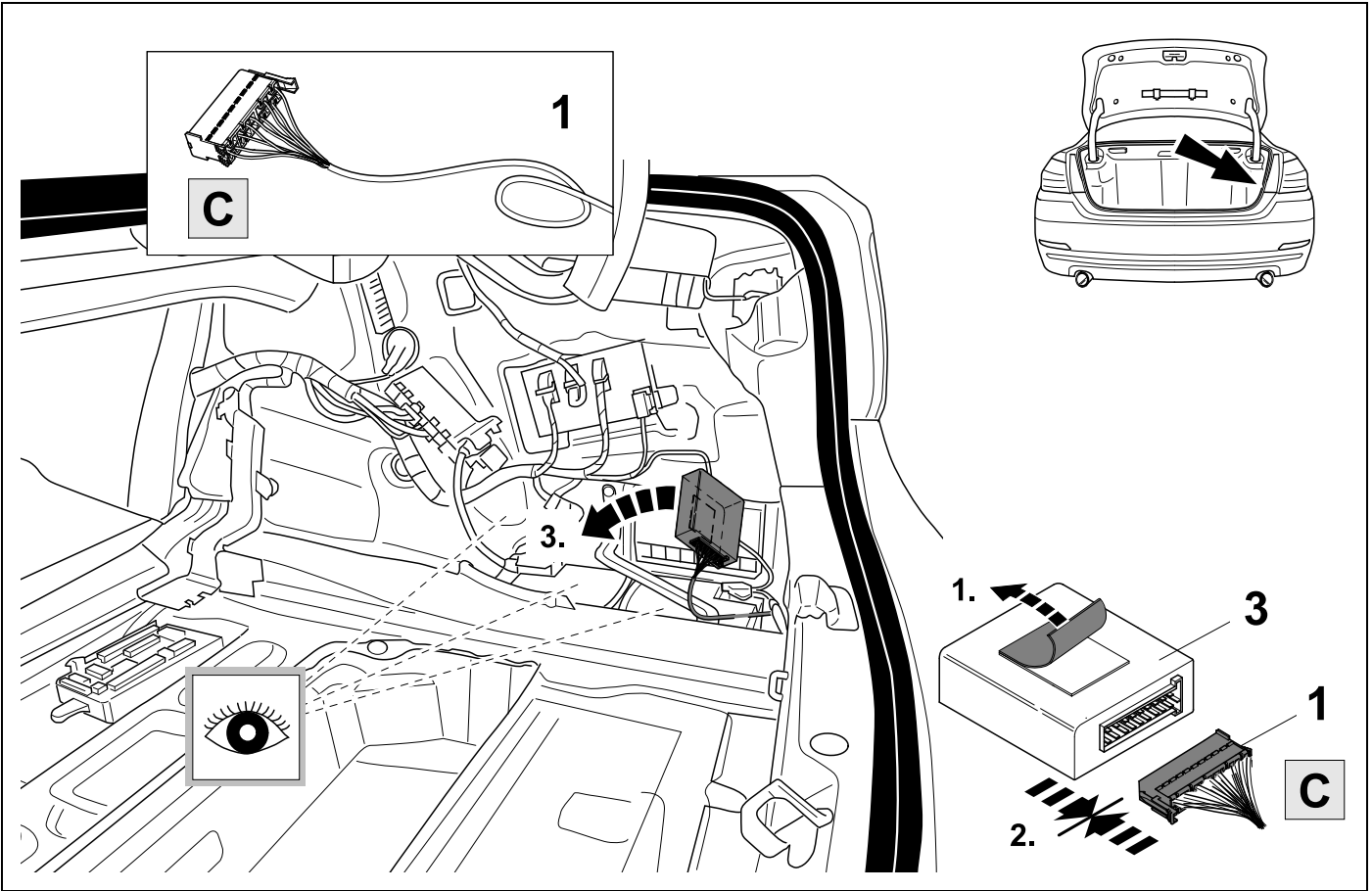
5



6



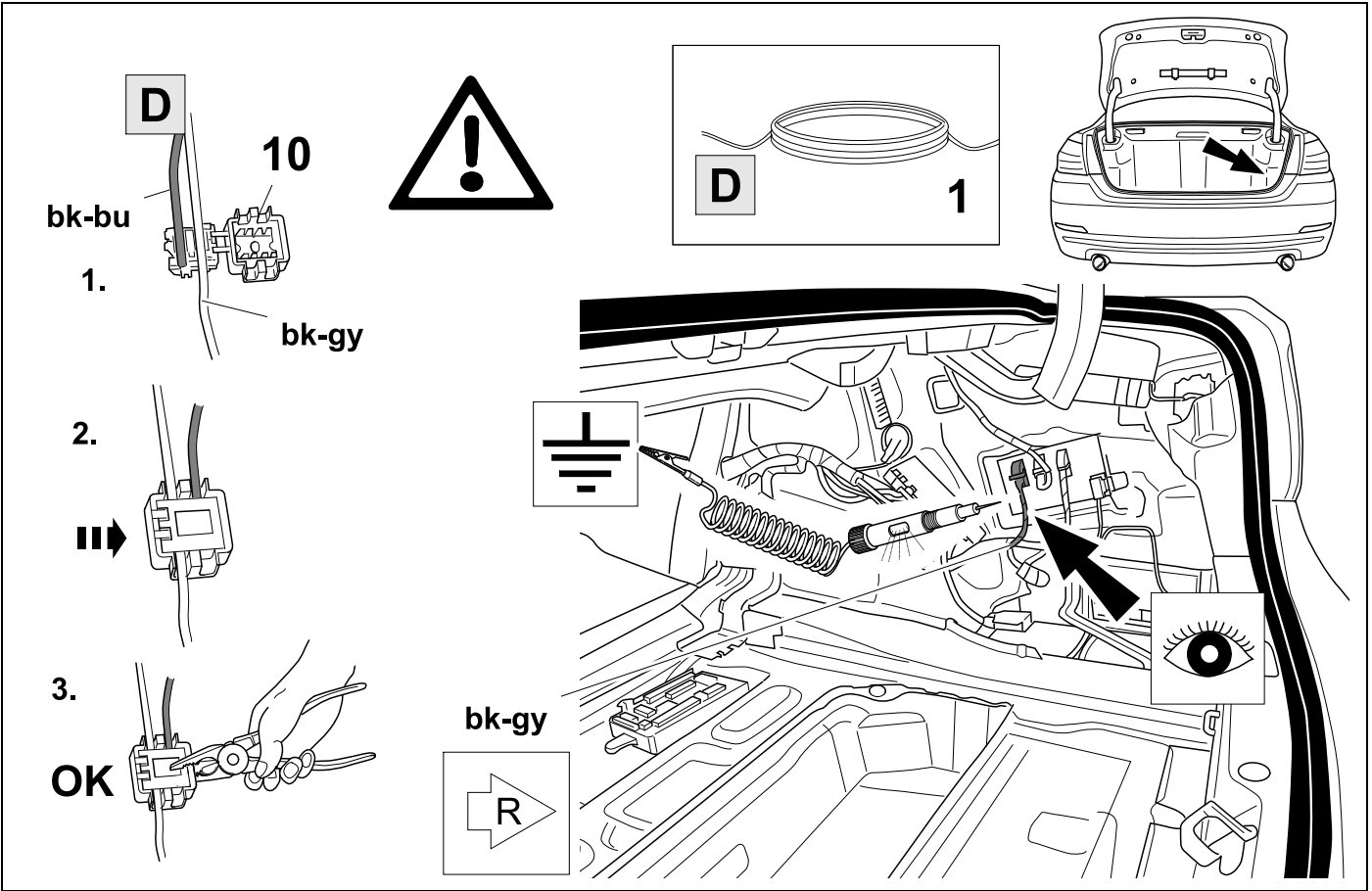
7

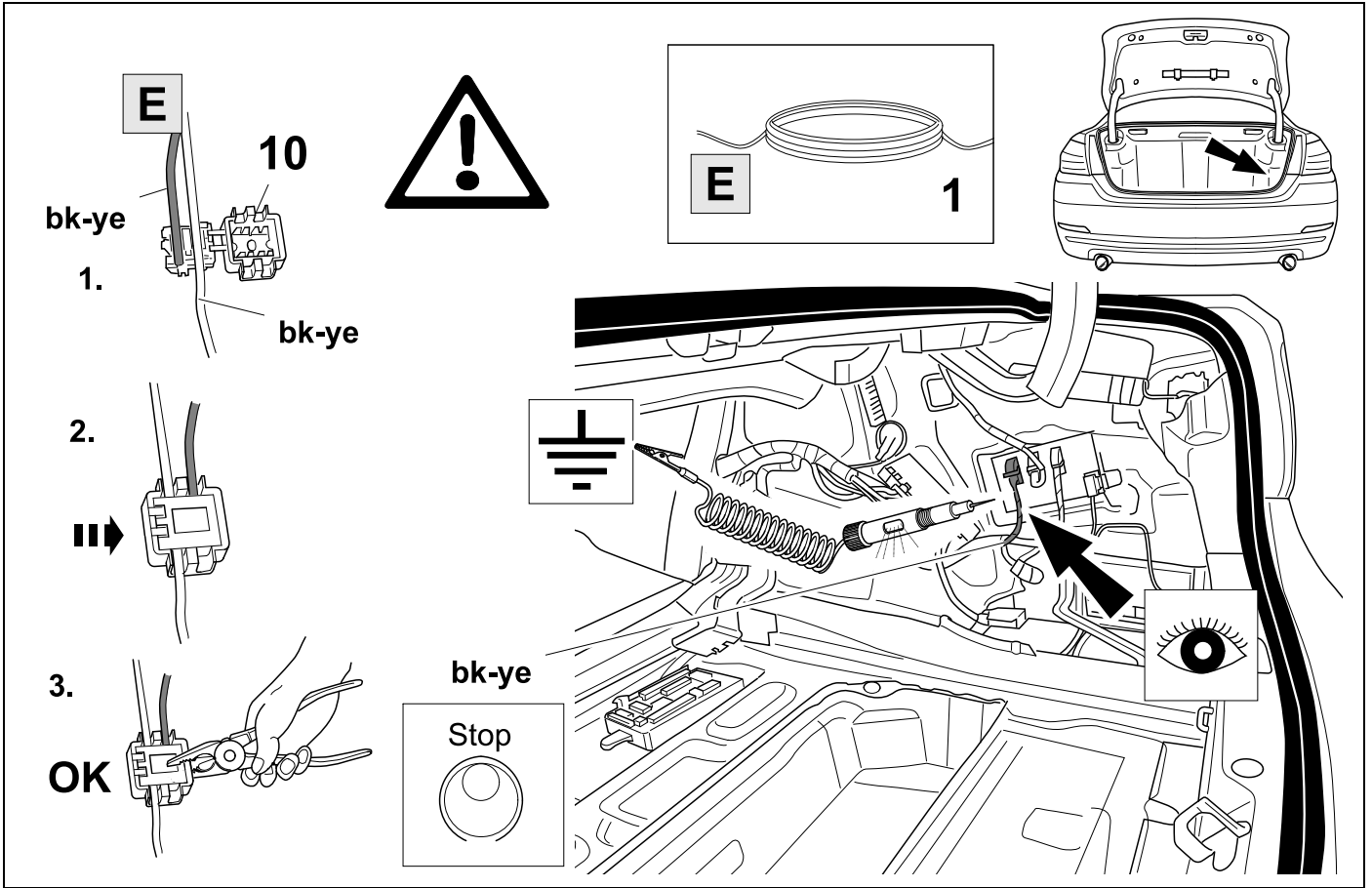


8

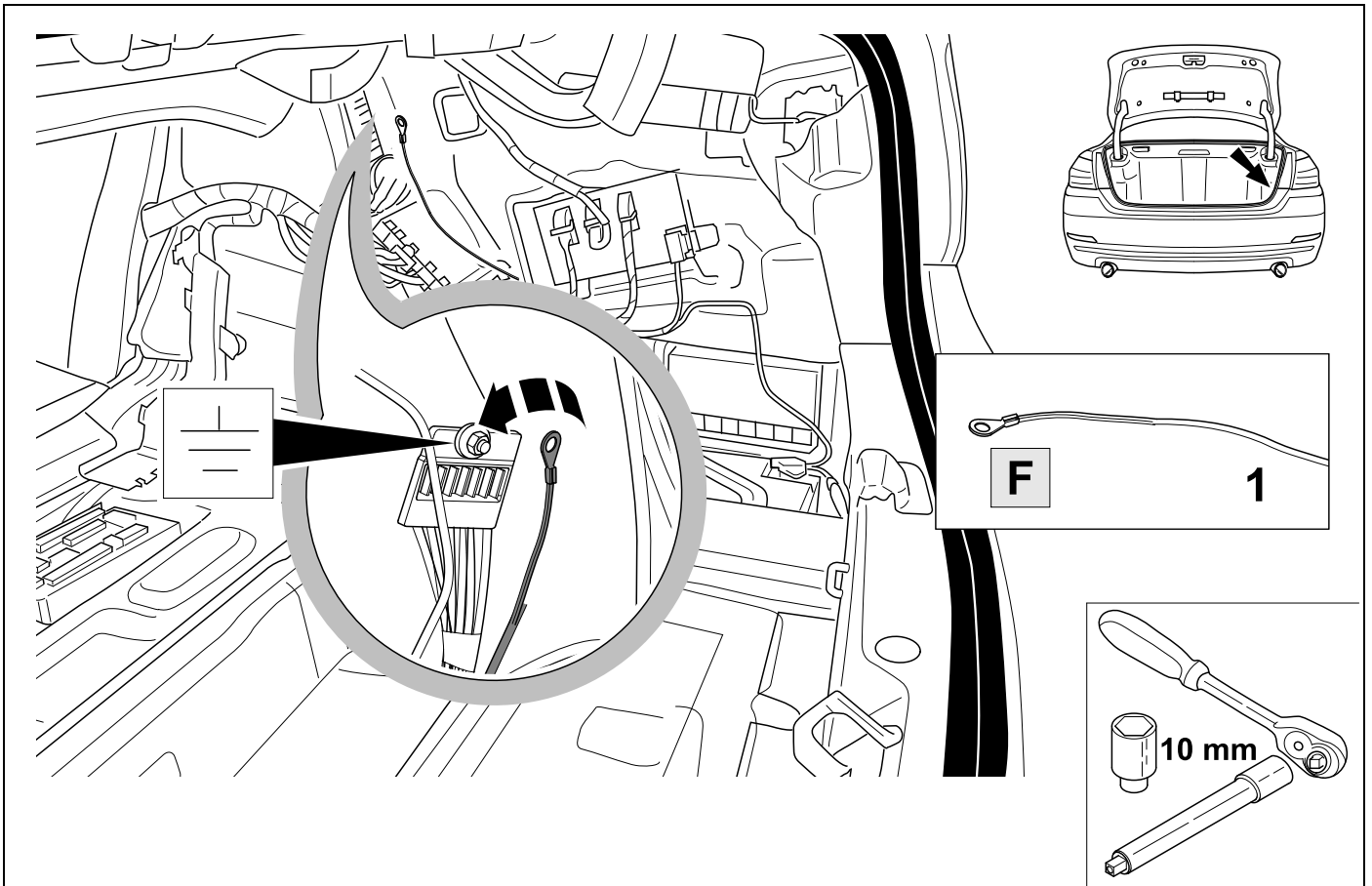


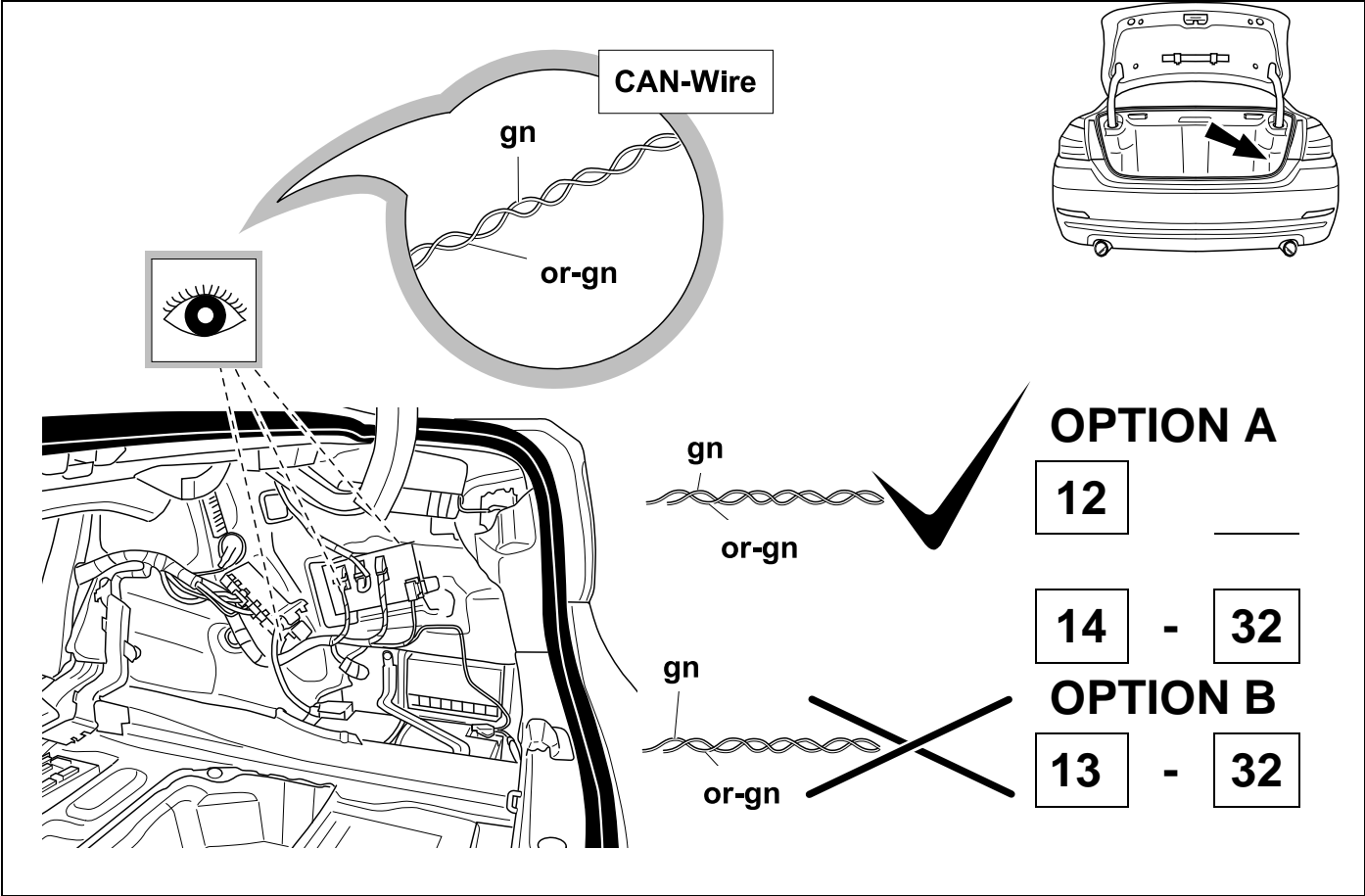
24

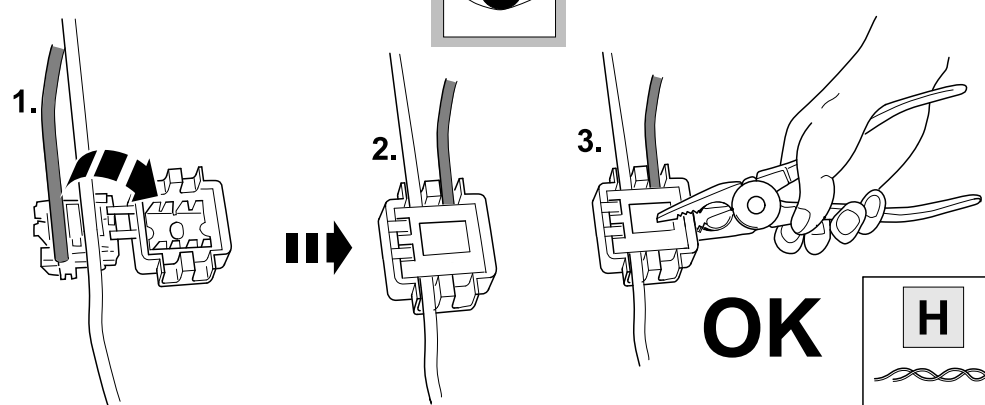
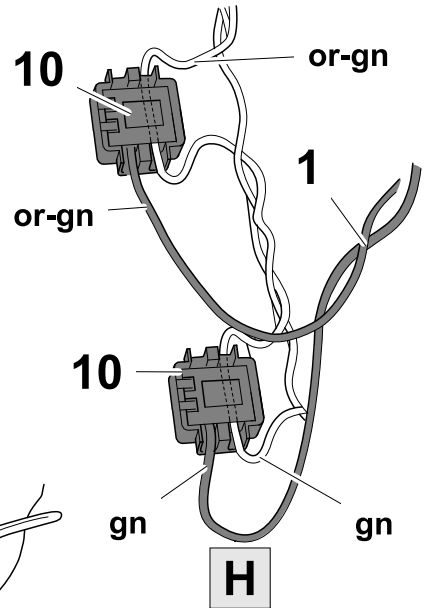
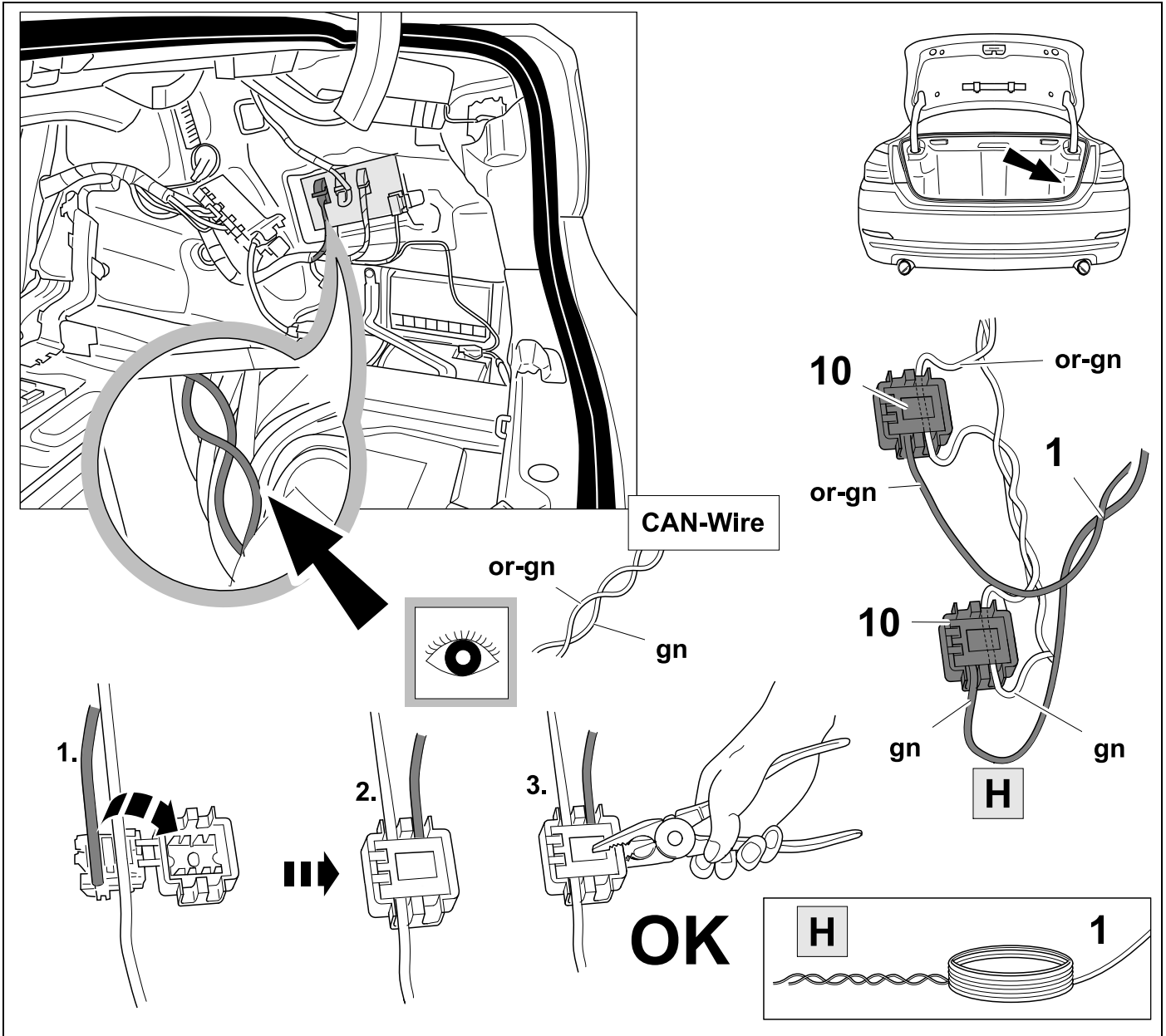


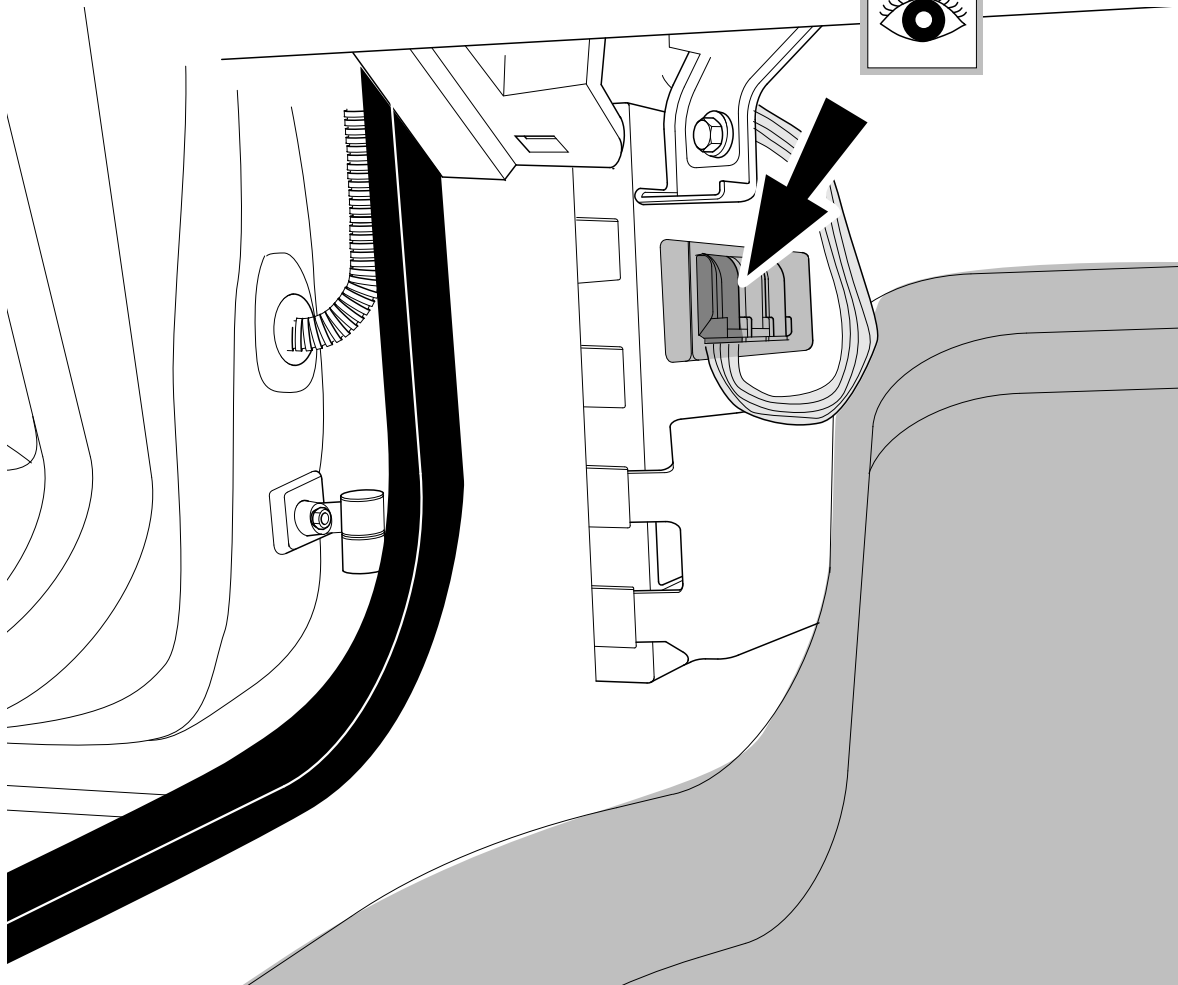
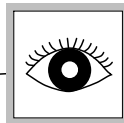
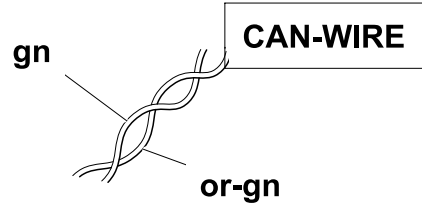
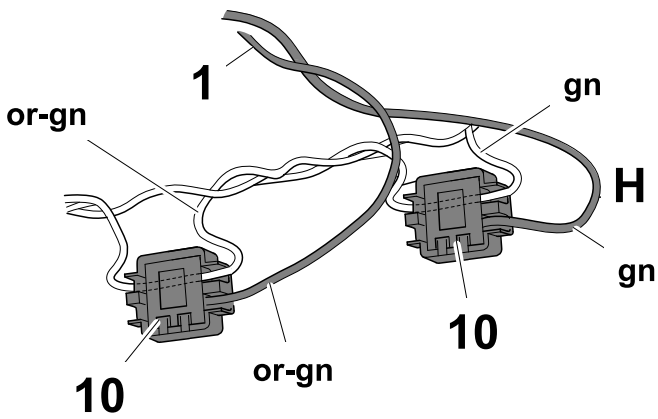
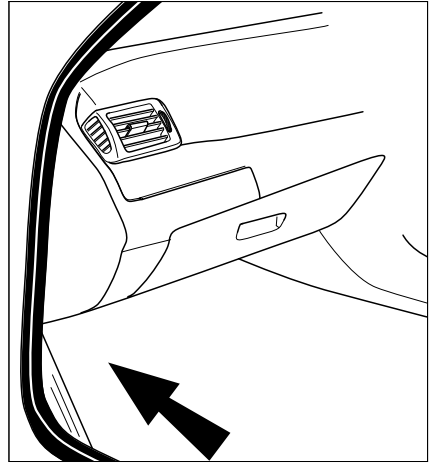
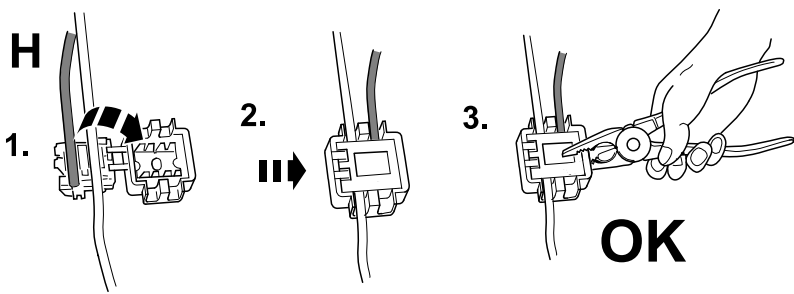


10

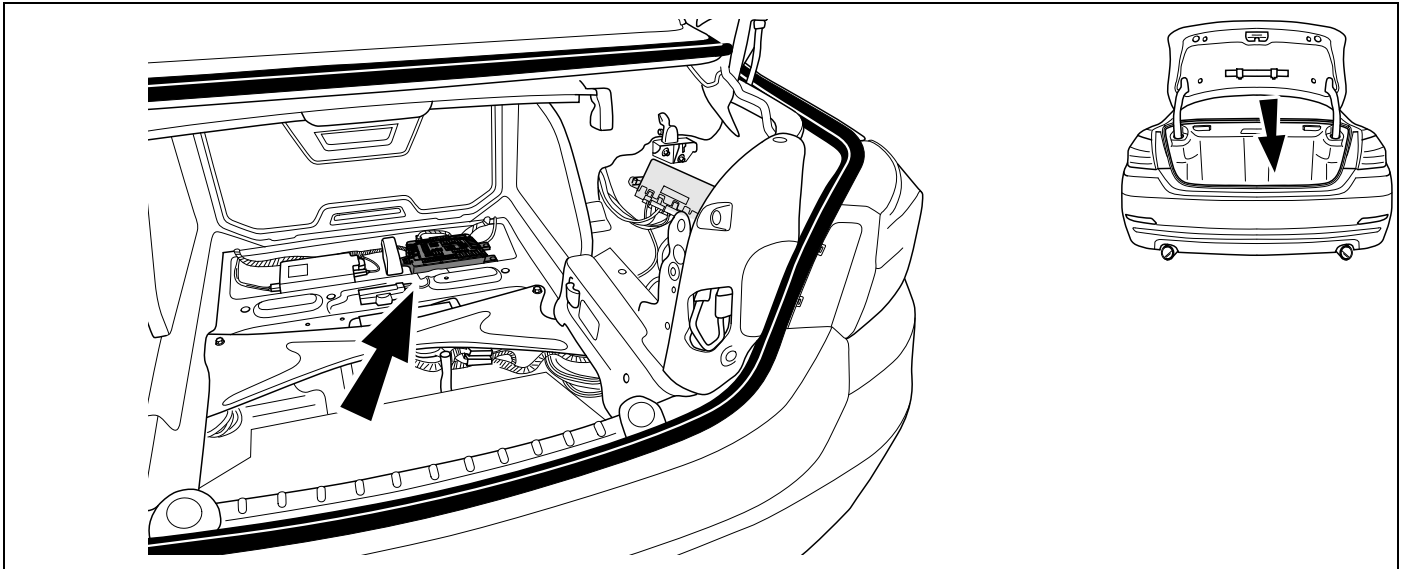








14



15

			<p>OPTION 1</p>
	<p>F113</p>		<p>16 - 17</p>
			<p>20 - 32</p>

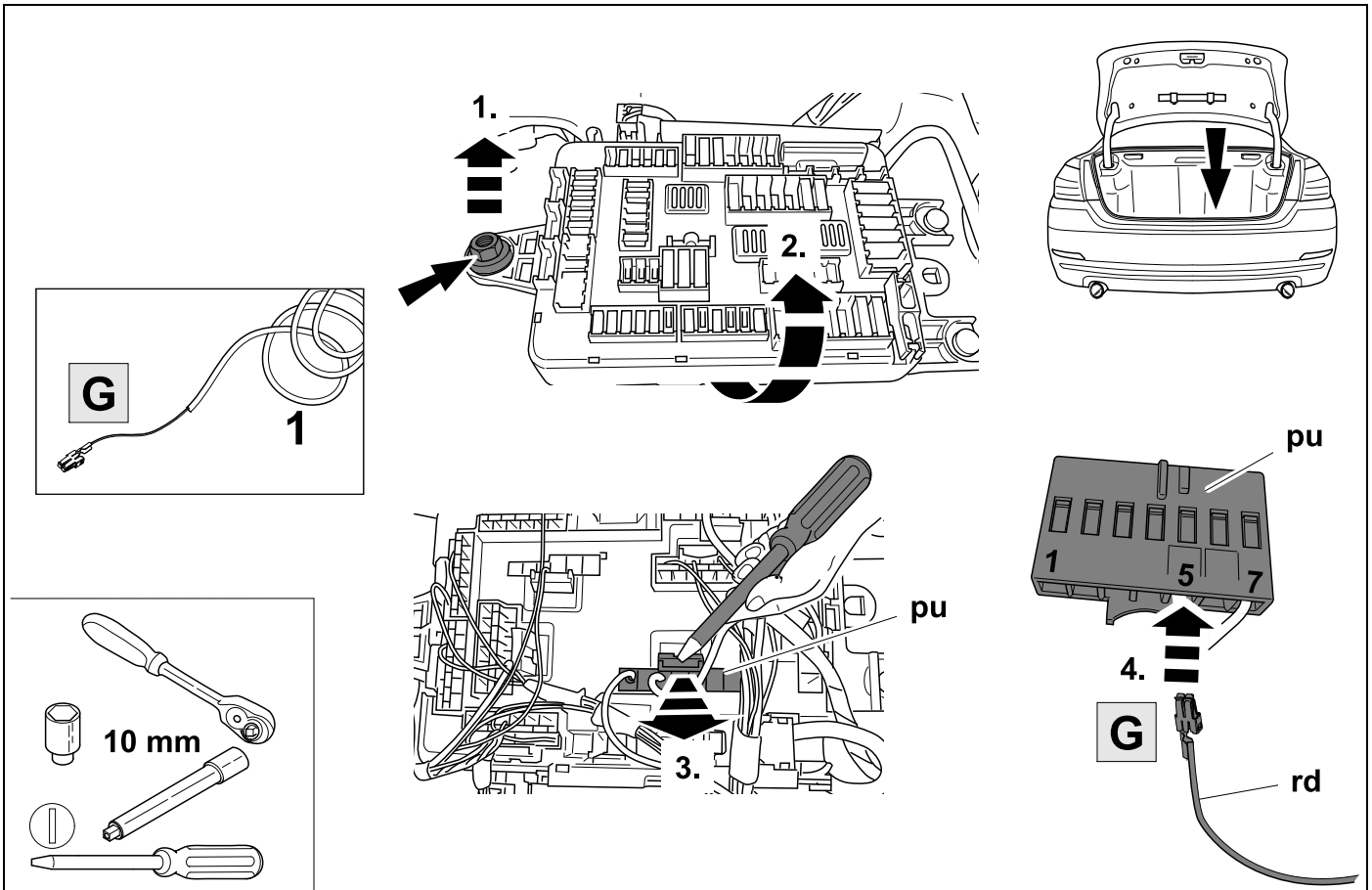
			<p>OPTION 2</p>
	<p>F113 20A</p>		<p>18 - 32</p>

16

OPTION 1



24

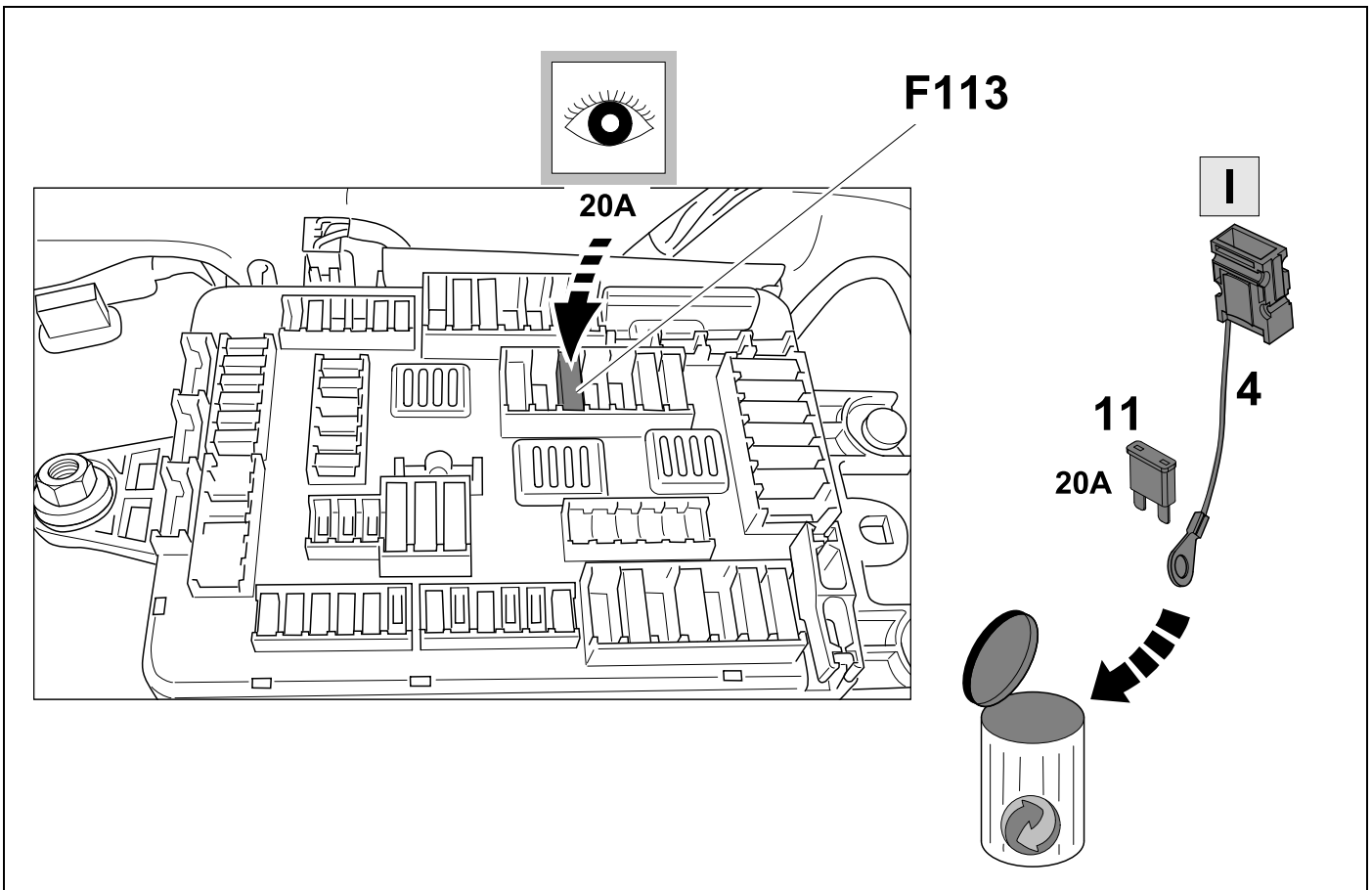


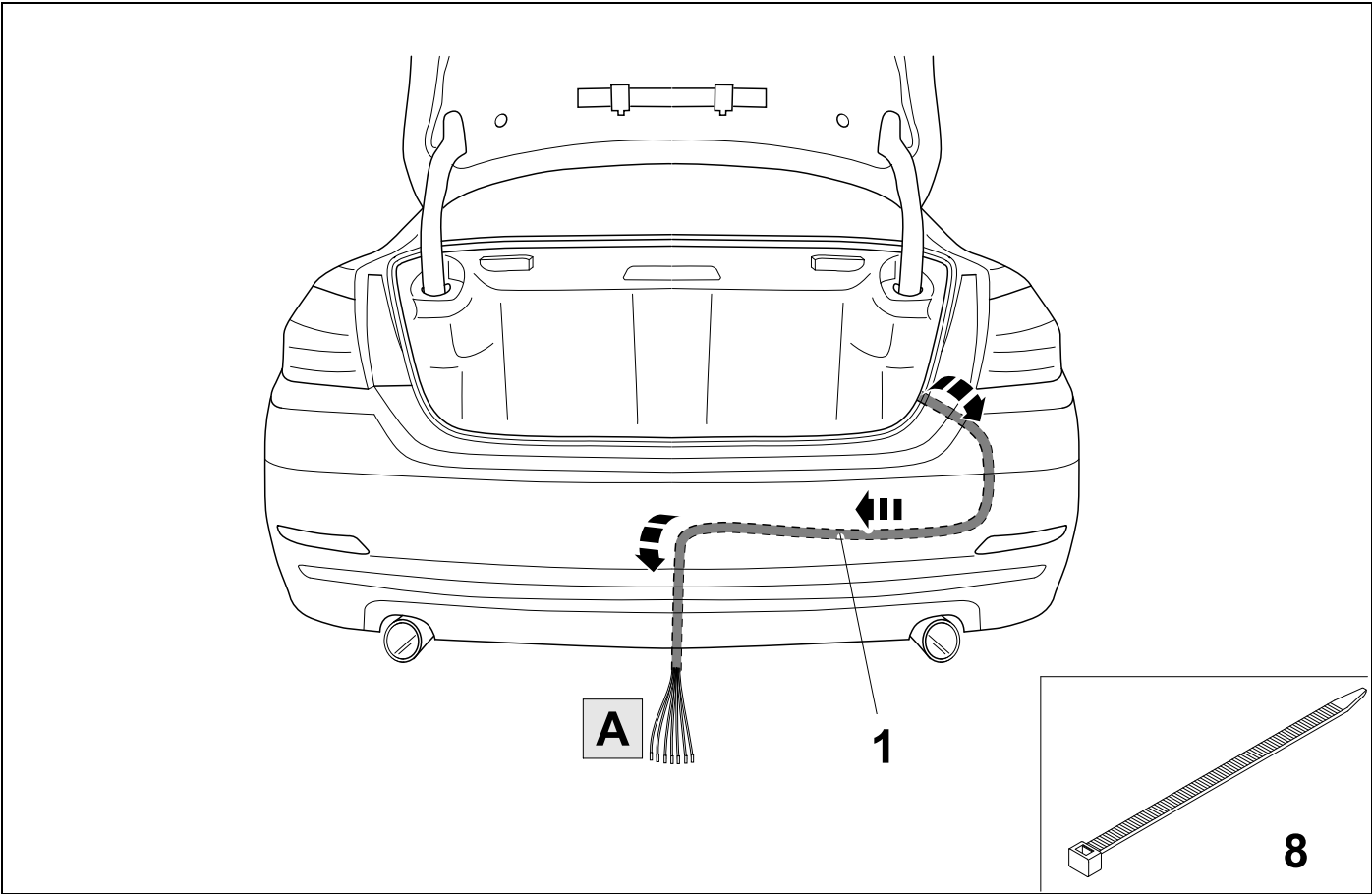
17

OPTION 1

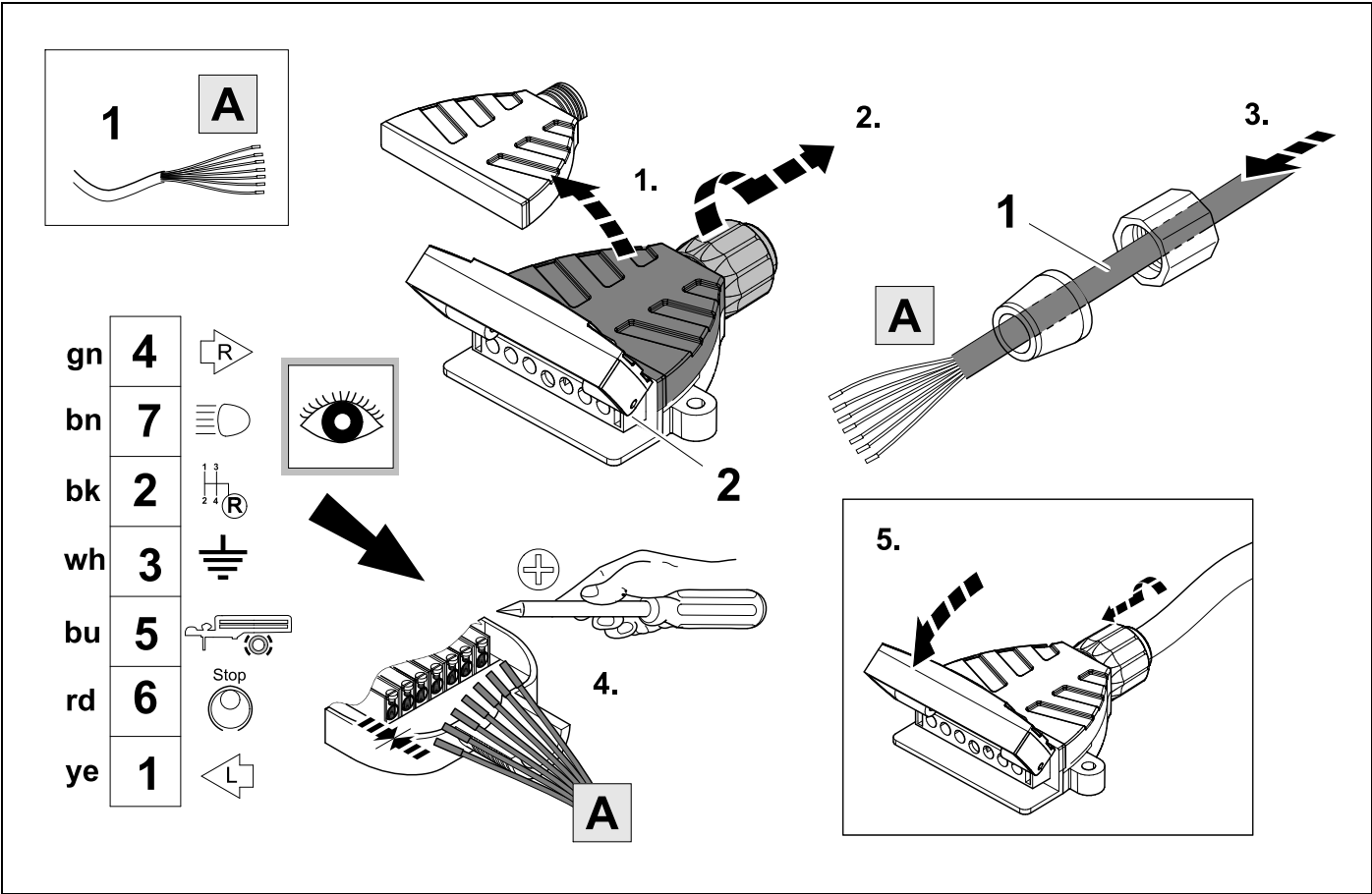


29

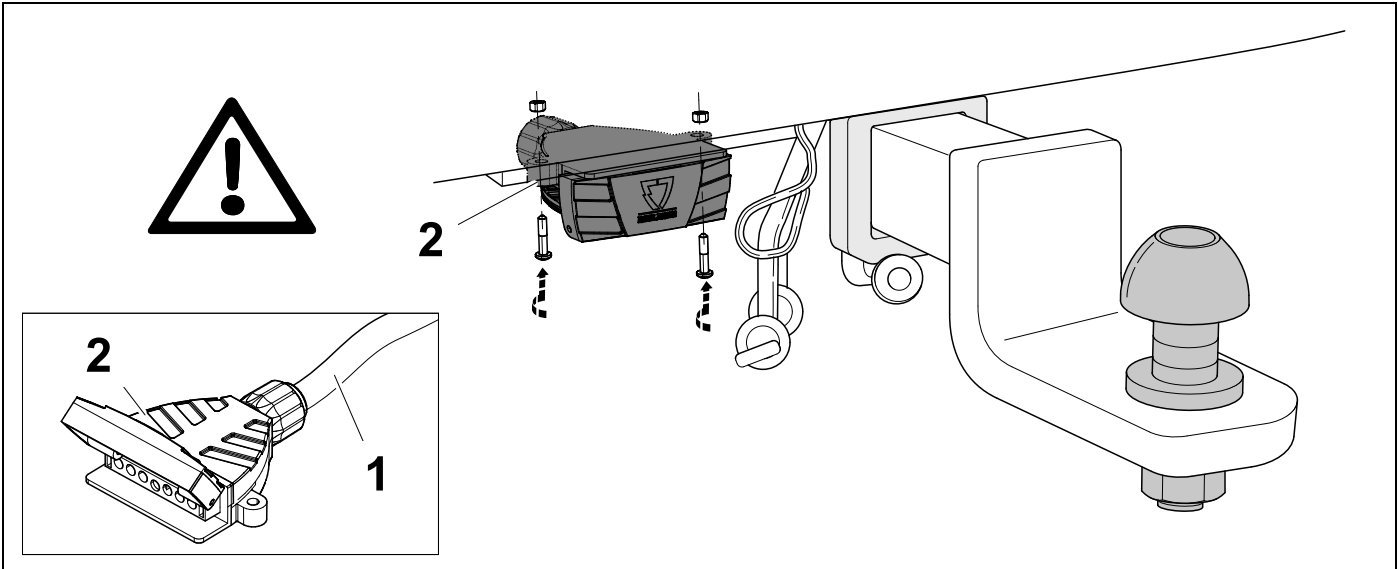




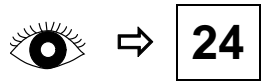
👁️ ⇒ 23



22



23



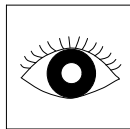
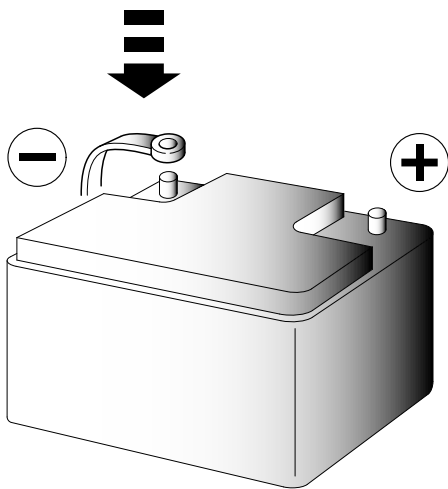
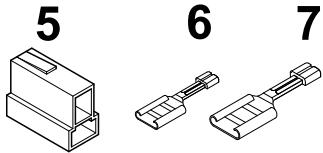
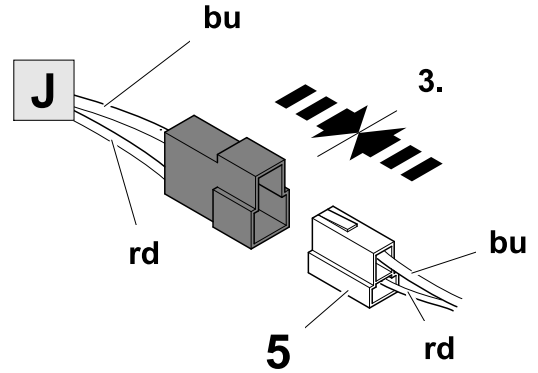
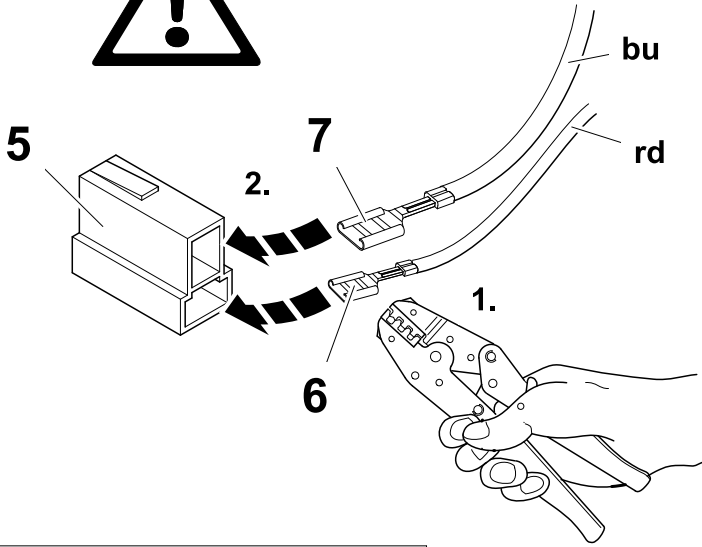
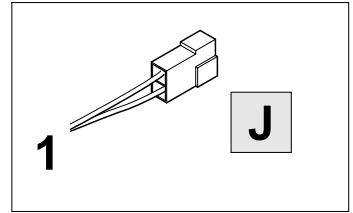
1	ye	
2	bk	
3	wh	
4	gn	
5	bu	
6	rd	
7	bn	

24	bk	wh	gy	gn	rd	bu	ye	bn	pu	or	no
----	----	----	----	----	----	----	----	----	----	----	----

	black	white	grey	green	red	blue	yellow	brown	purple	orange	not occupied
--	-------	-------	------	-------	-----	------	--------	-------	--------	--------	--------------

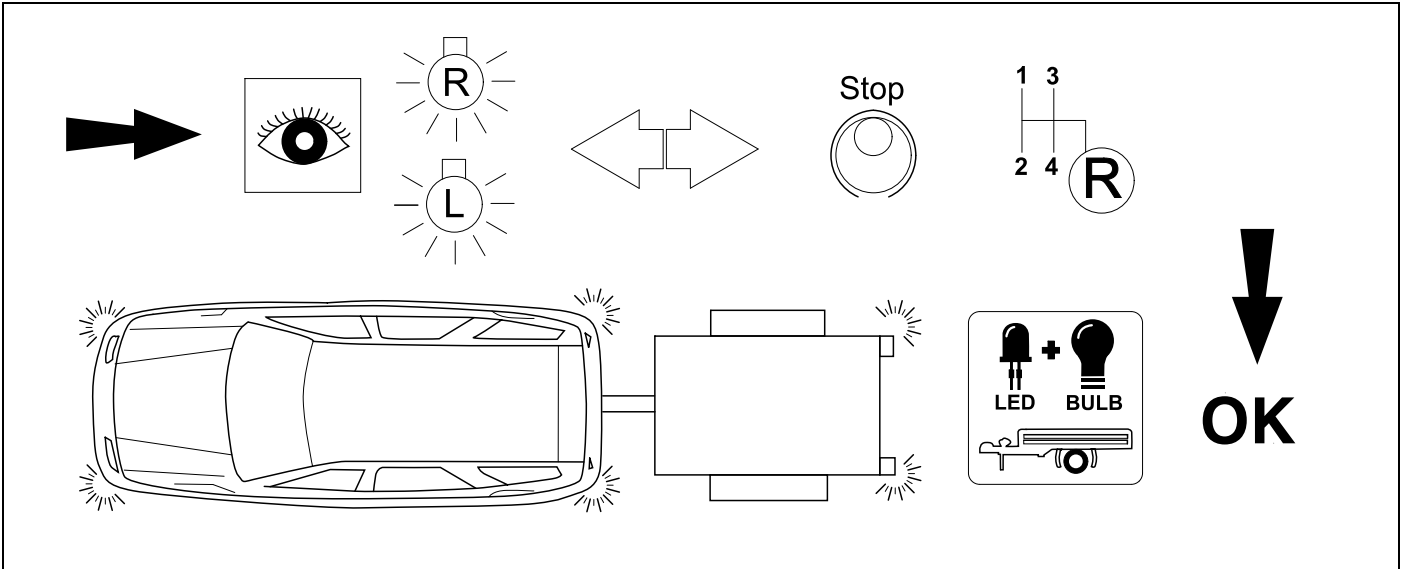


Trailer Brake Preparation



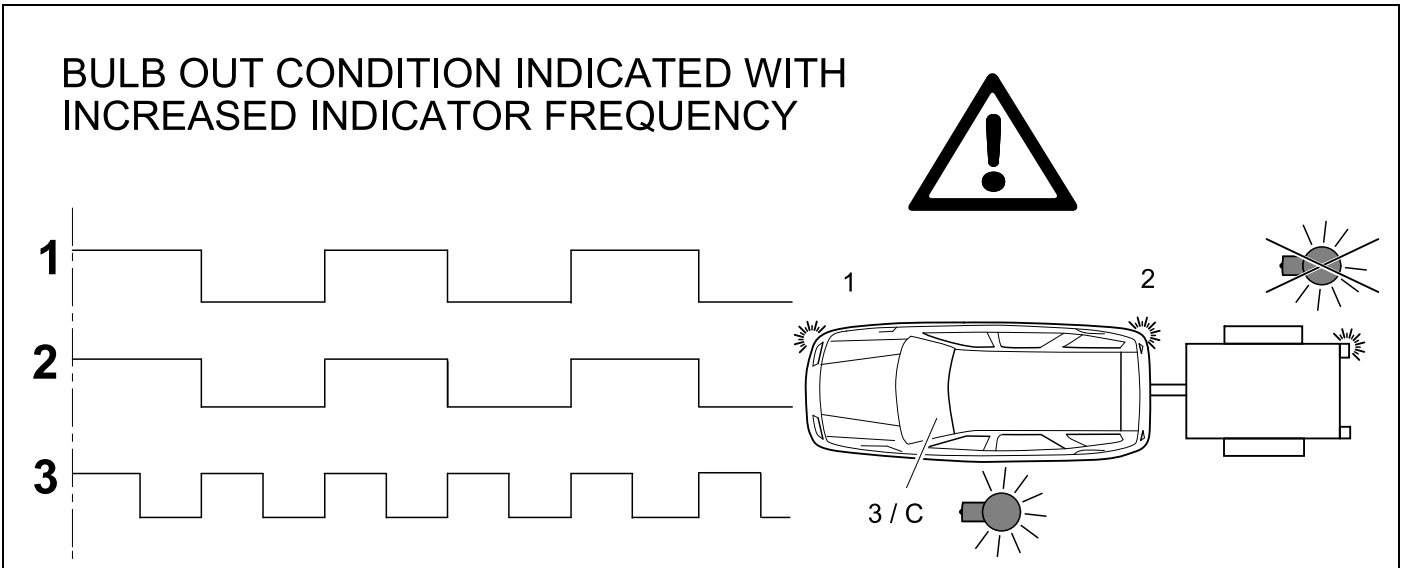
27

CHECK ALL LIGHTING FUNCTIONS



28

CHECK BULB OUT DETECTION



29

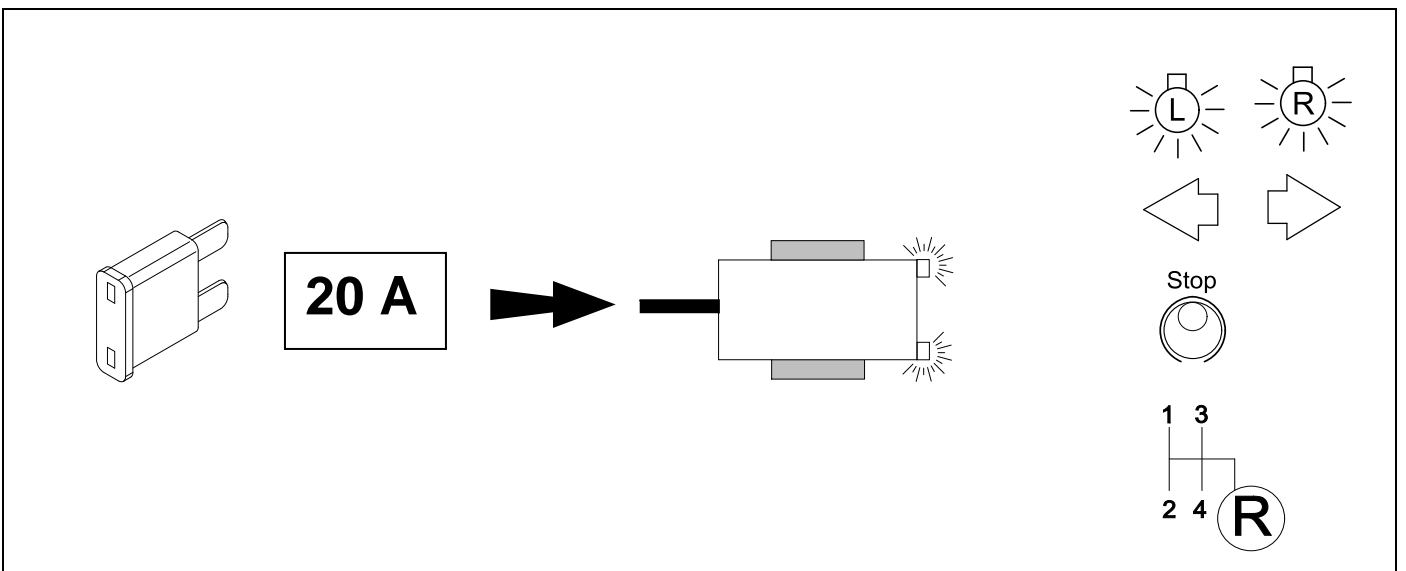
Information Service



17

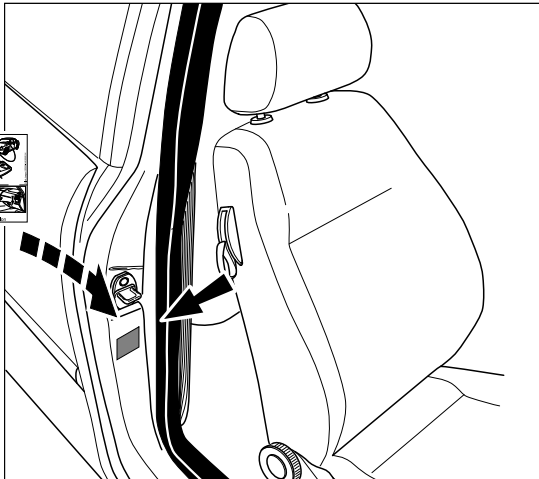
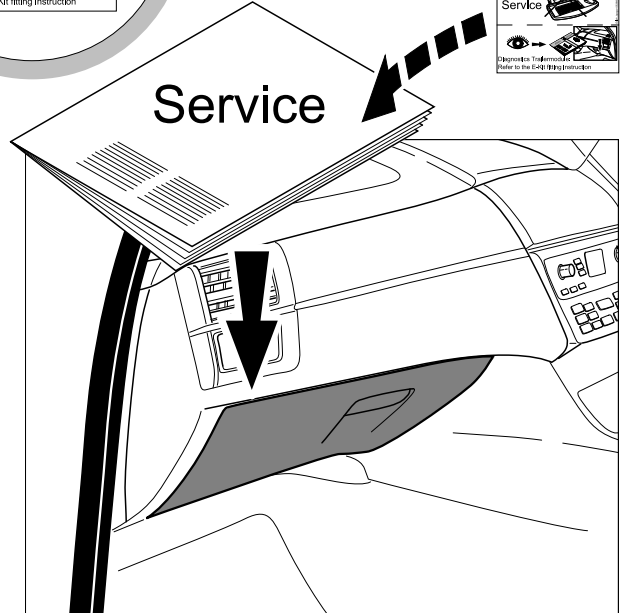
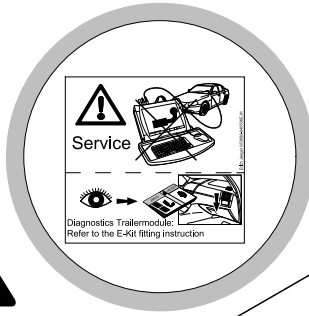
+

19

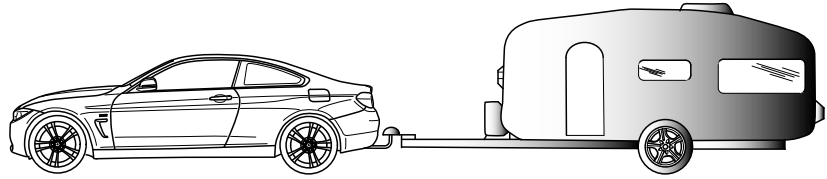
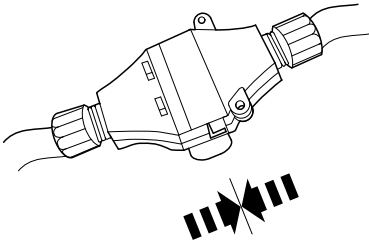




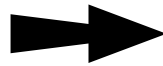
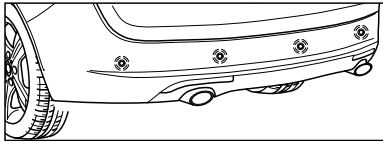
2x 12



If the PDC does not automatically deactivate, coding and initialization of the module might be required.



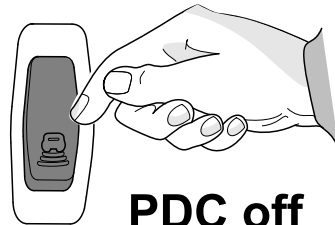
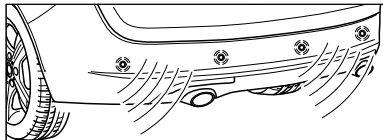
OPTION 1



No Coding



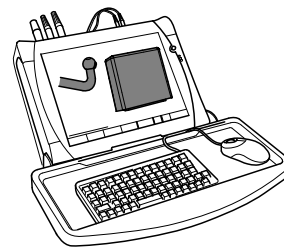
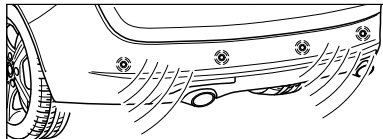
OPTION 2



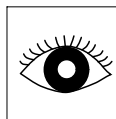
PDC off



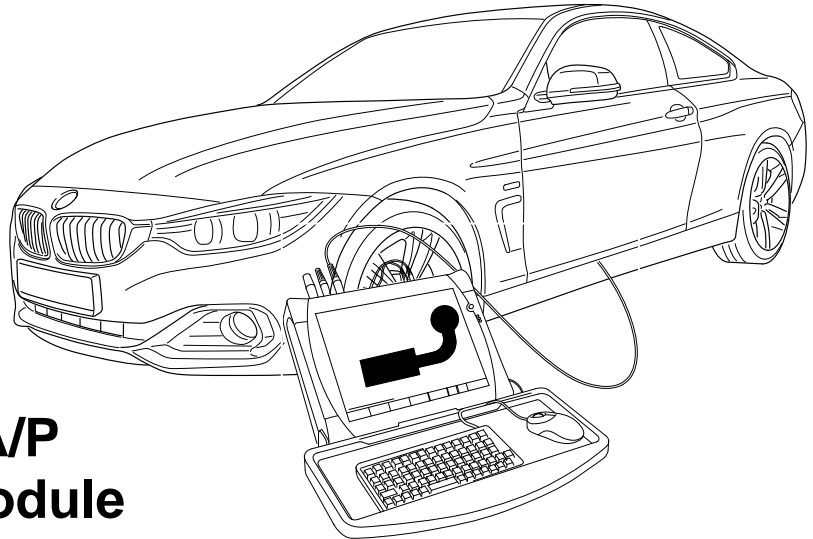
OPTION 3



**BMW Service ISTA/P
Initialize Trailer Module**



32



BMW Service ISTA/P Initialize Trailer Module

GB

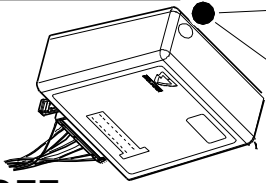
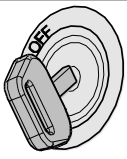
Please effect coding as follows:

- Connect computer to vehicle
- Start ISTA/P
- Click "Modification / Upgrades"
- Scan Action plan
- Click „Coding (Ethernet)“
- Scan Action program follow-up
- Final report checking

After the effected connection, the rear park assist system will also automatically be deactivated in trailer operation!

Status LED for self-diagnosis

Operation Support



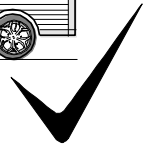
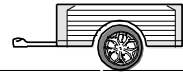
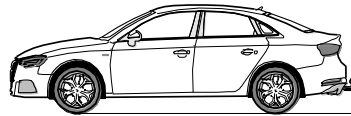
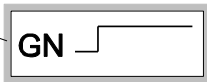
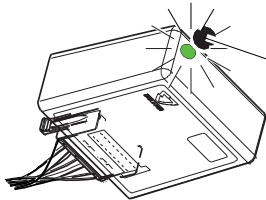
No CAN-Data =



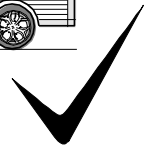
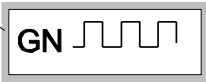
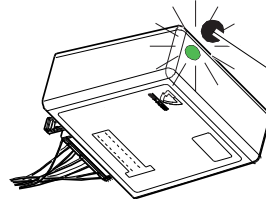
Standby / Sleepmode



Ignition OFF



Ignition ON



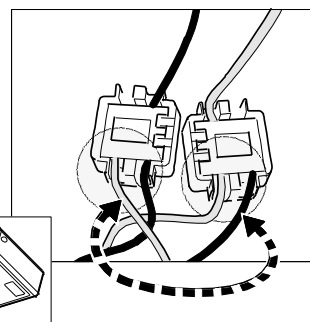
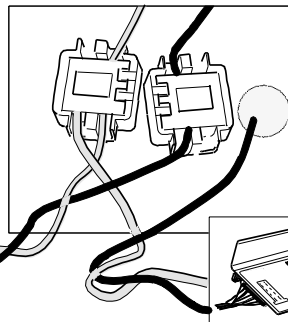
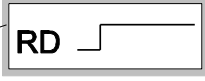
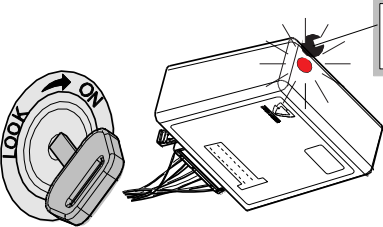
Ignition ON

Failure Support

CAN-Data Wire

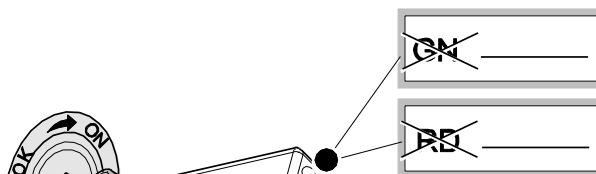
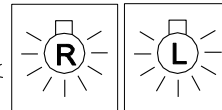


1x max. 5 min.

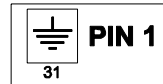


Ignition ON

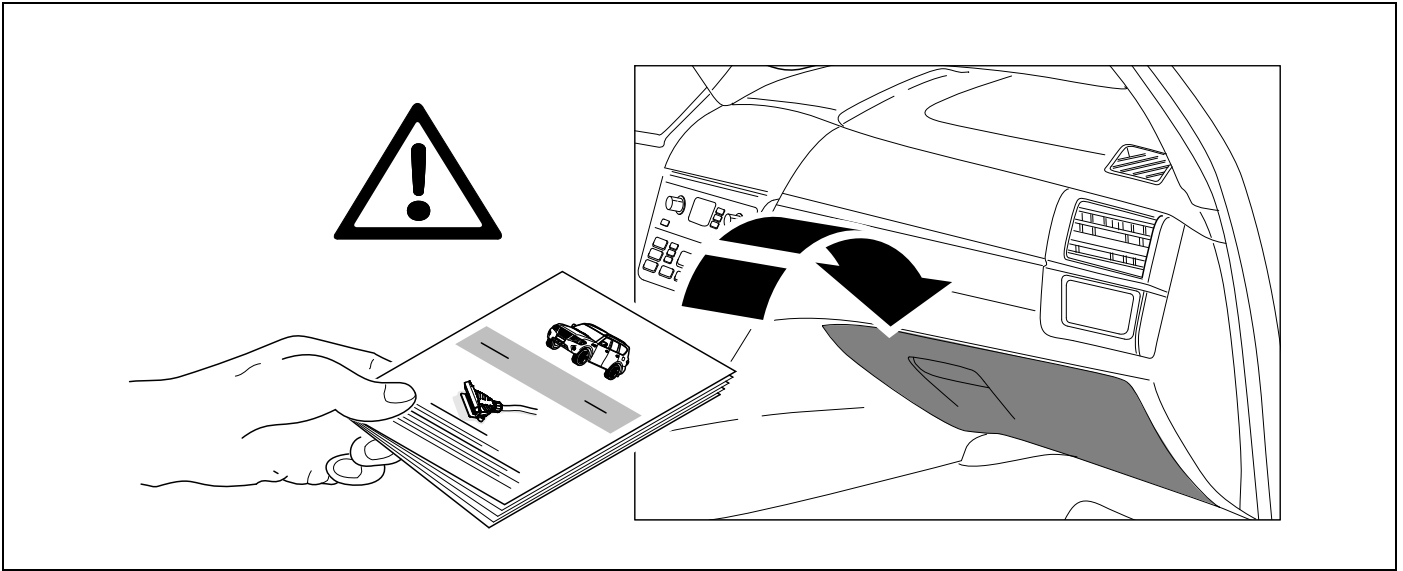
Failure indicated by the module LED glowing red for a maximum of 5 minutes. If trailer connected the tail lights will also glow indicating failure of CAN signal.



or



Ignition ON



Subject to change in terms of construction, equipment and colour, and may contain errors.
The information and illustrations are non-binding.