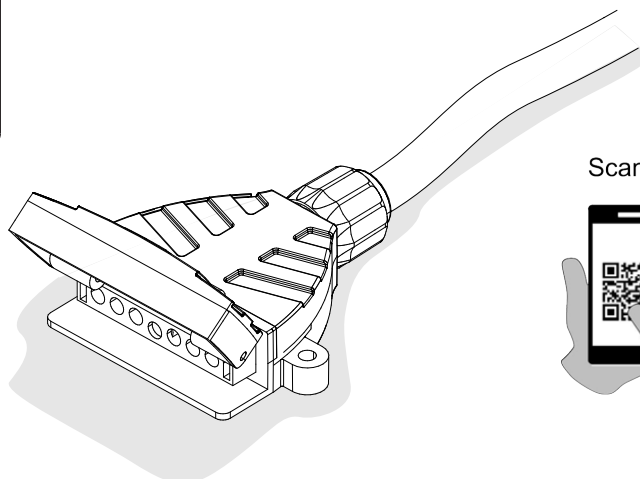
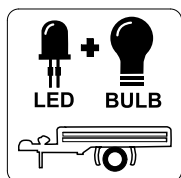


BMW 5-Serie Gran Turismo	F07	09/09 >> 02/14
BMW 5-Serie Limousine	F10	03/10 >> 02/14
BMW 5-Serie Touring	F11	09/10 >> 02/14

750018



Scan this for our full E-Kit catalogue



Installation instructions

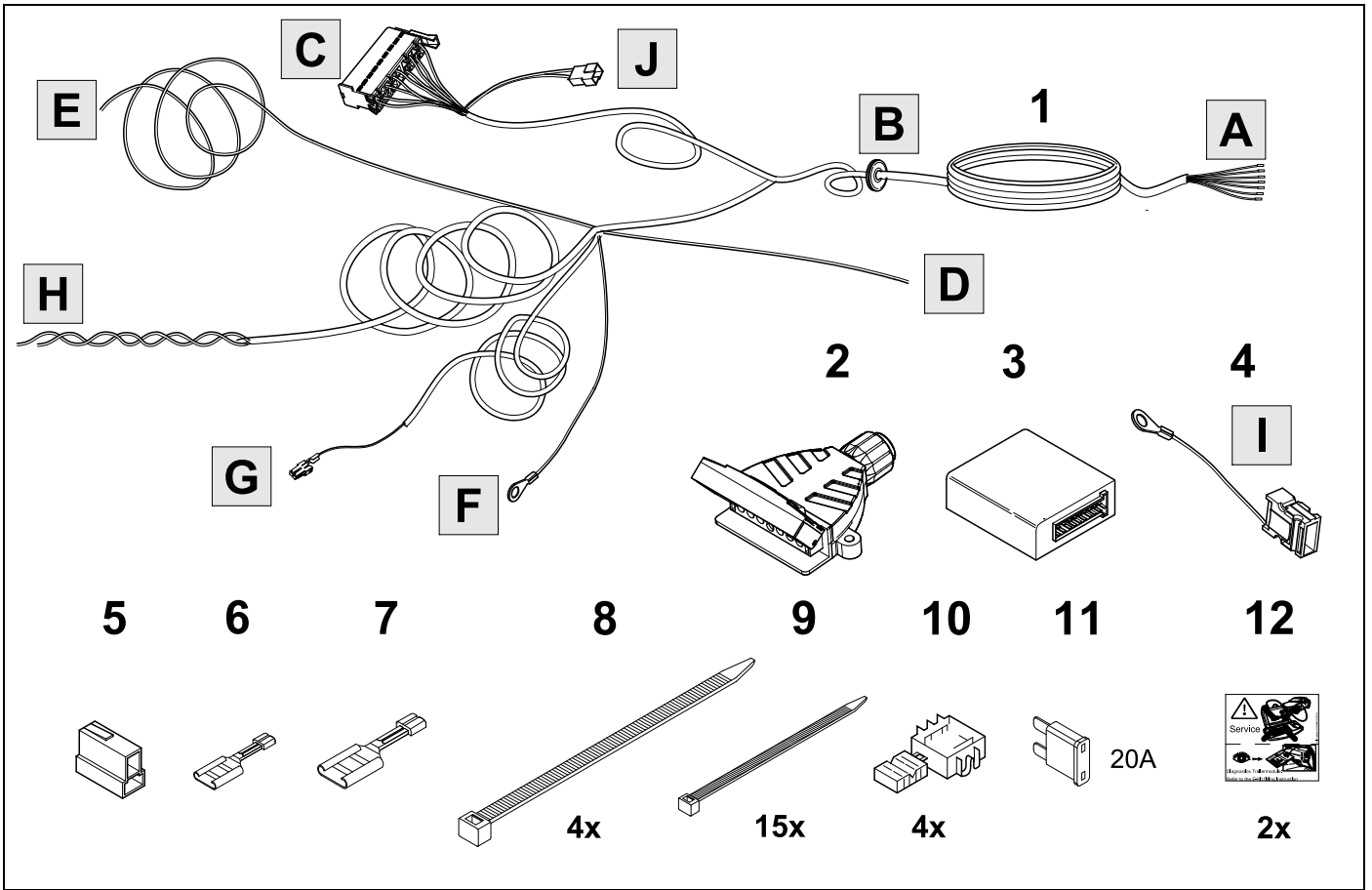
Reference:

The following information must be reviewed before beginning the assembly:

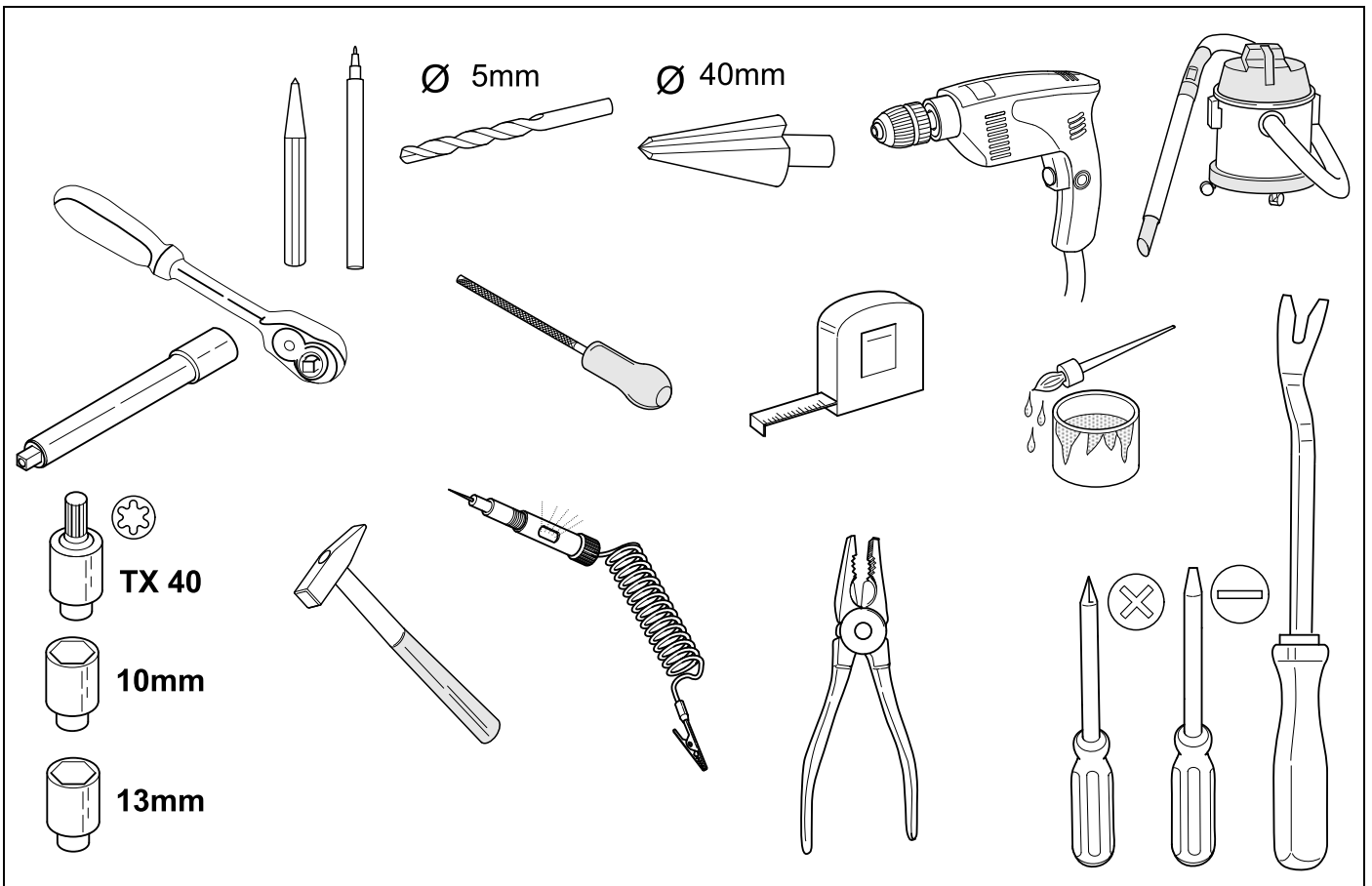


The installation instructions are to be thoroughly read.
 The installation should be carried out by qualified personnel with the relevant technical knowledge.
 The vehicle manufacturers' current technical notices and information on retrofitting must be followed.
 The removal and replacement instructions found in the current repair manuals must be followed.
 It must be ensured that the vehicle is technically suitable for the installation of a trailer hitch.

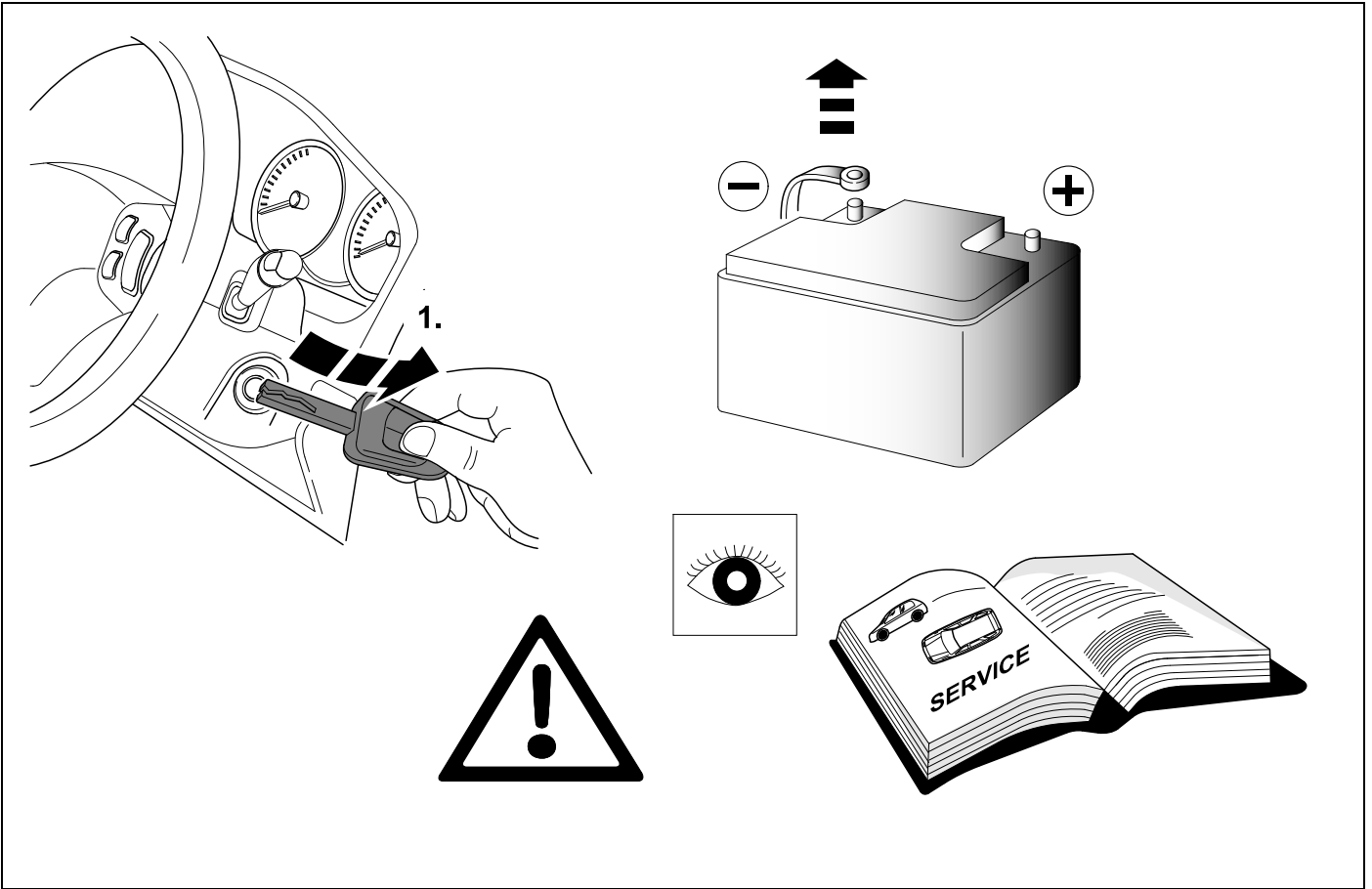
KIT



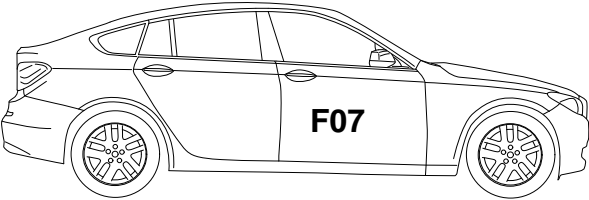


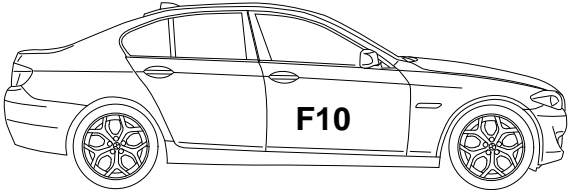
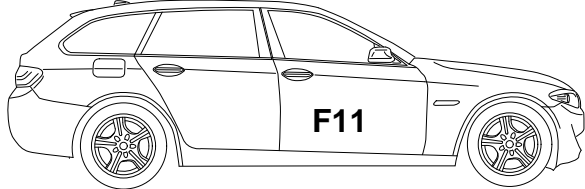


TOOLS



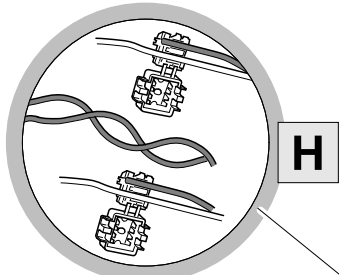
1



OVERVIEW

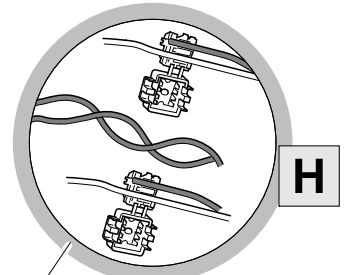
			1	-	8
			22	-	24
			28	-	42
			1		
			9	-	21
			25	-	42

OPTION 2

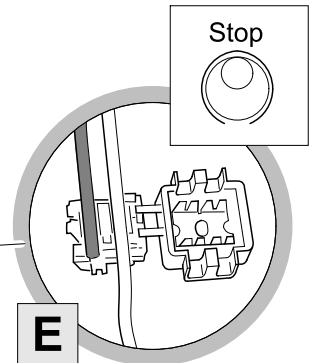
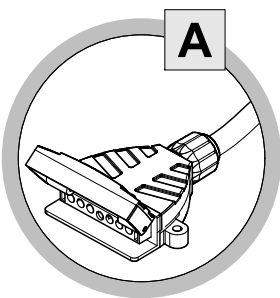


CAN-Wire

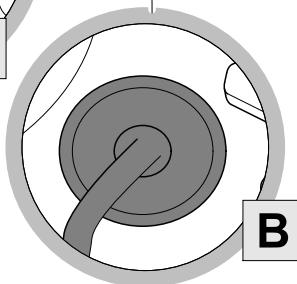
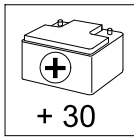
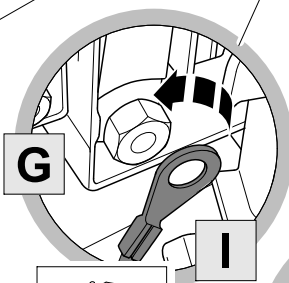
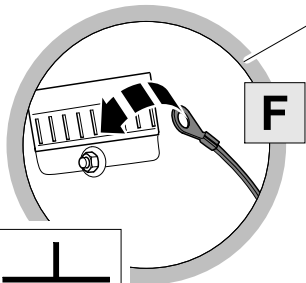
OPTION 1



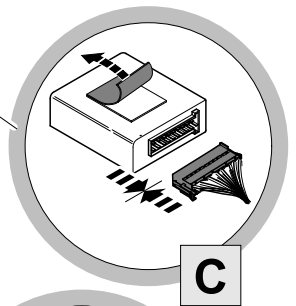
CAN-Wire



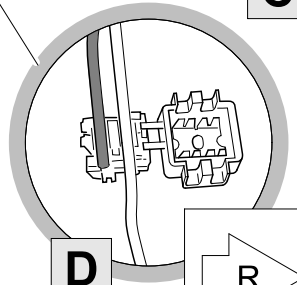
Stop



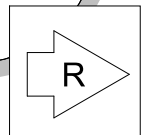
B



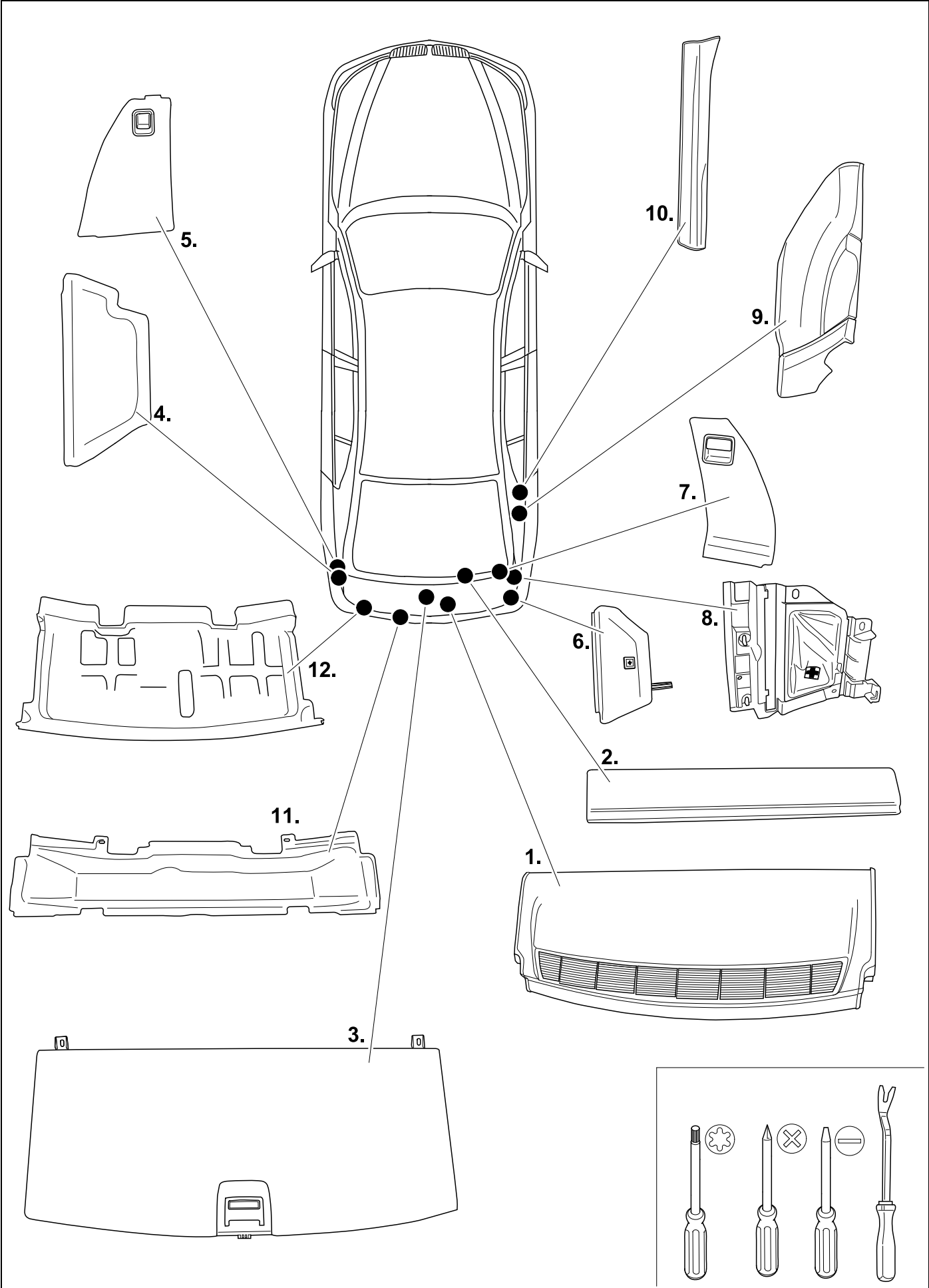
C



D

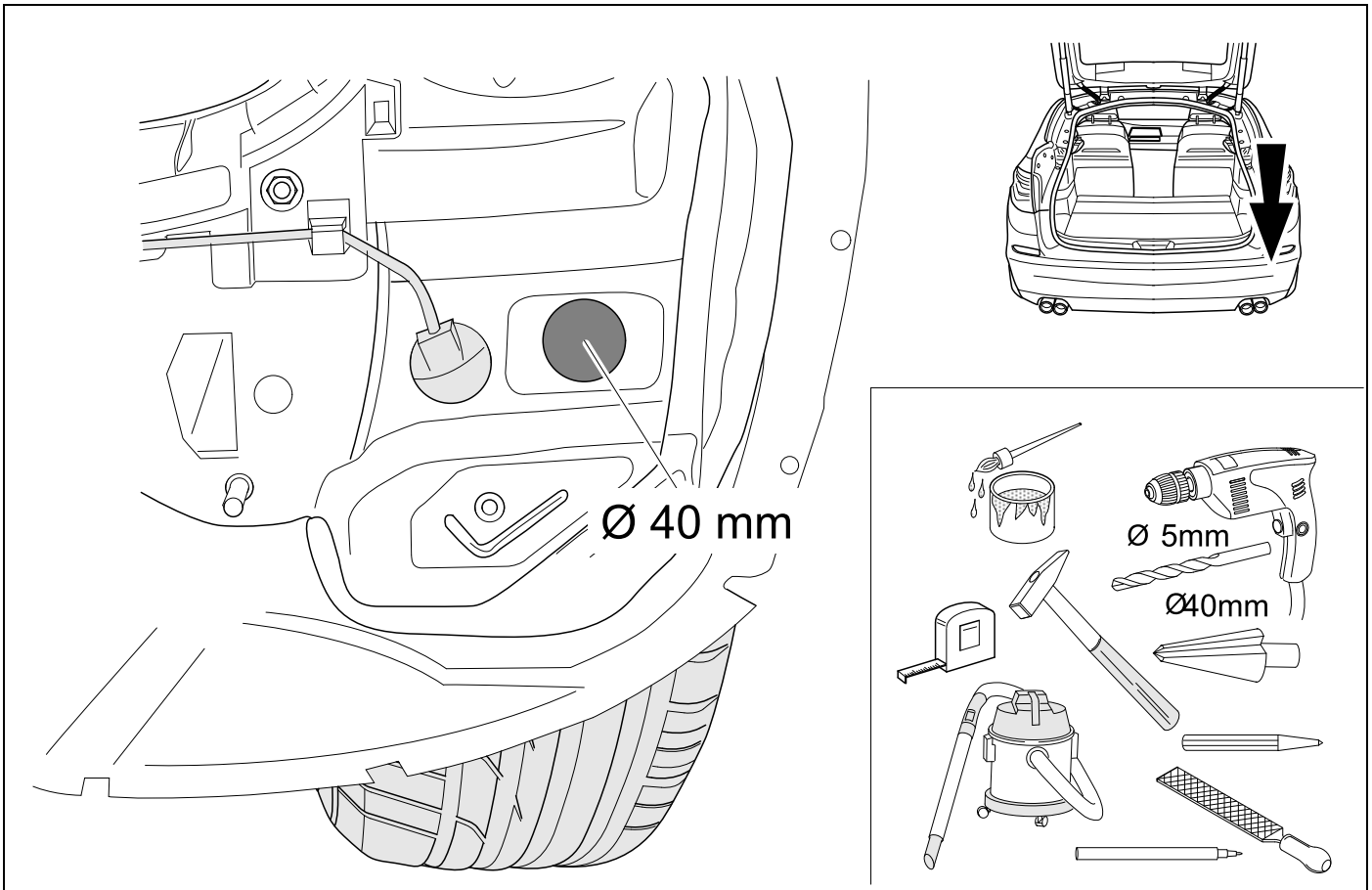


R



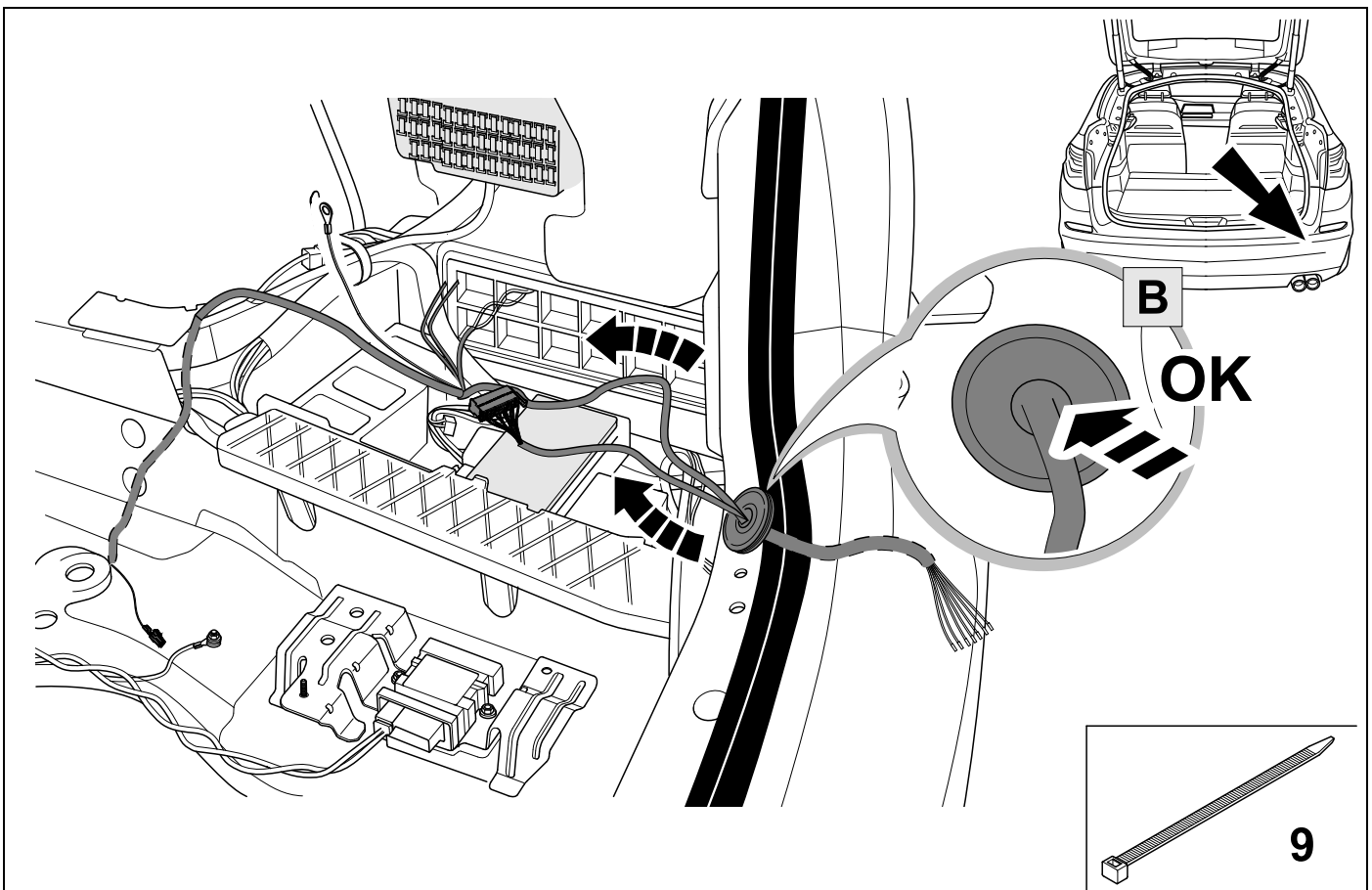
4

F07



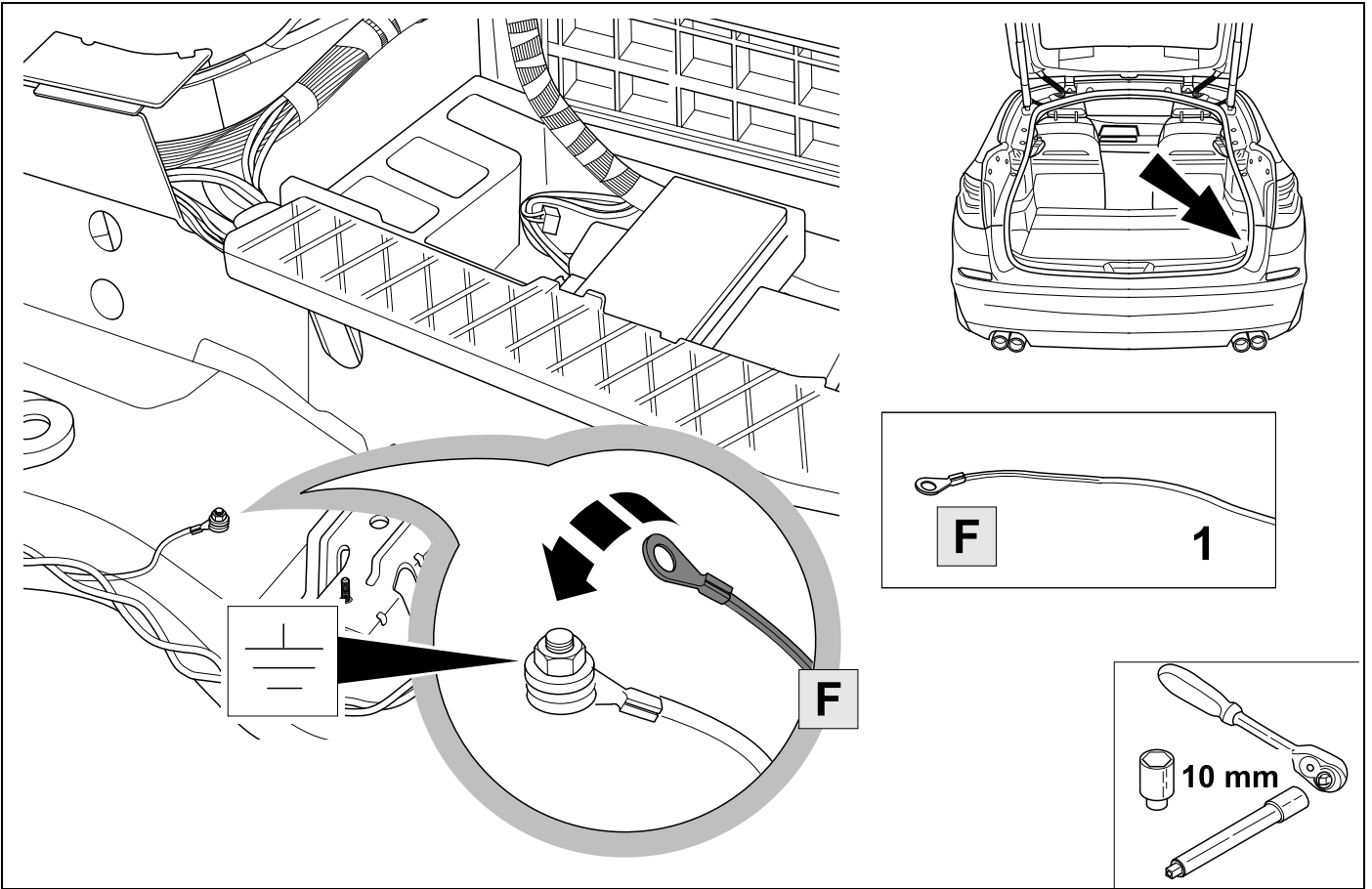
5

F07



6

F07

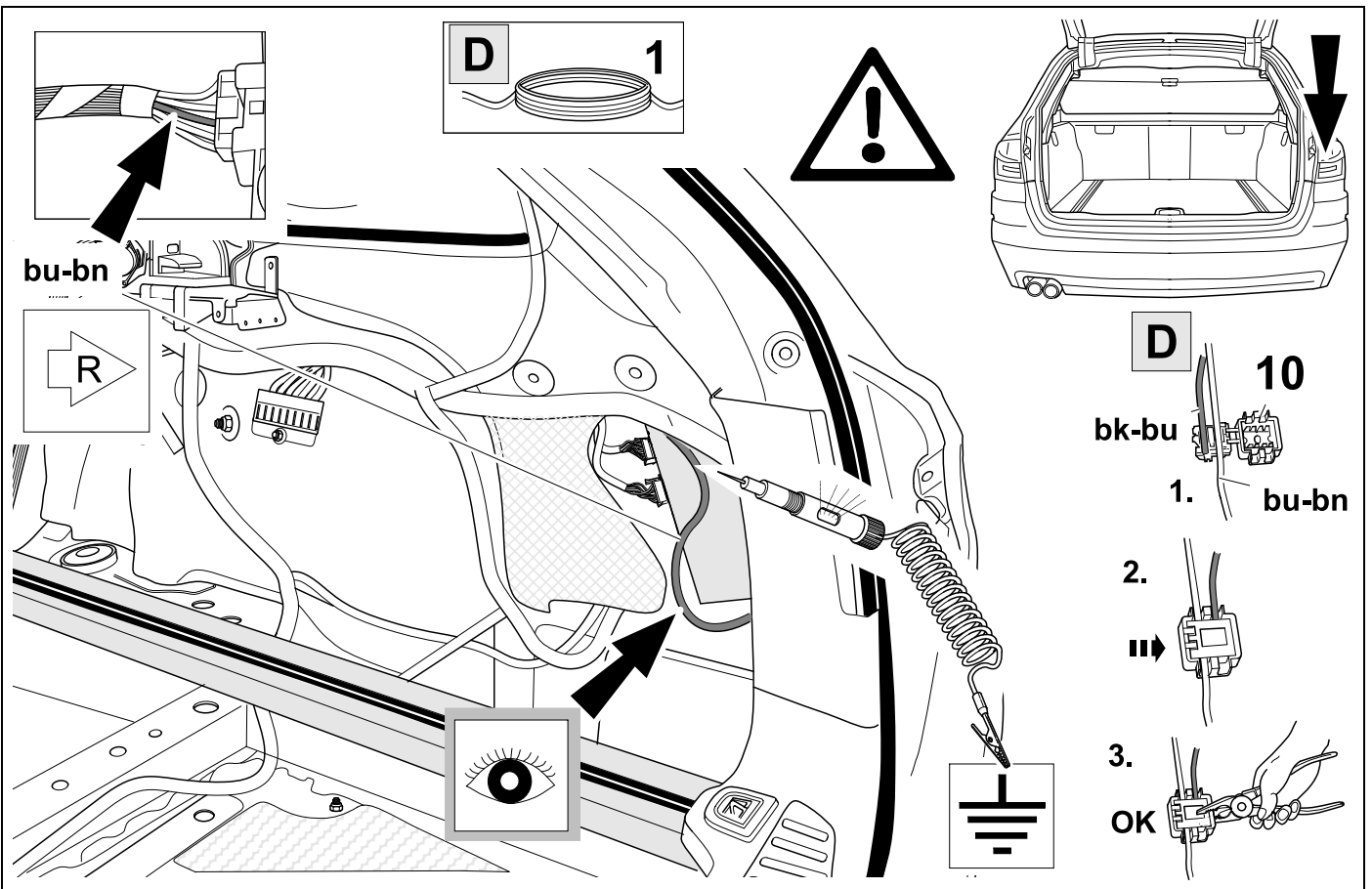


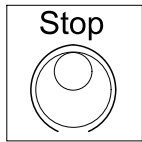
7



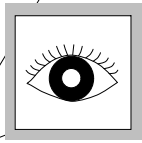
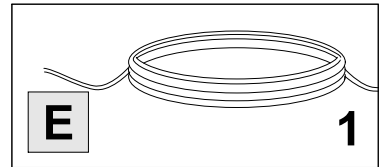
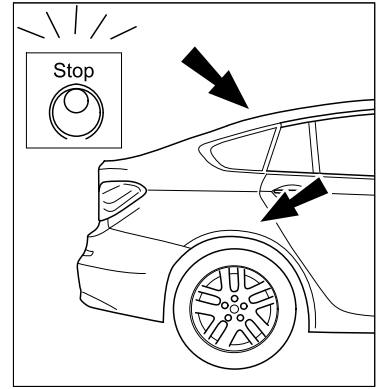
34

F07





bk-ye



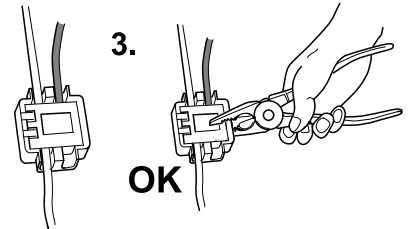
E

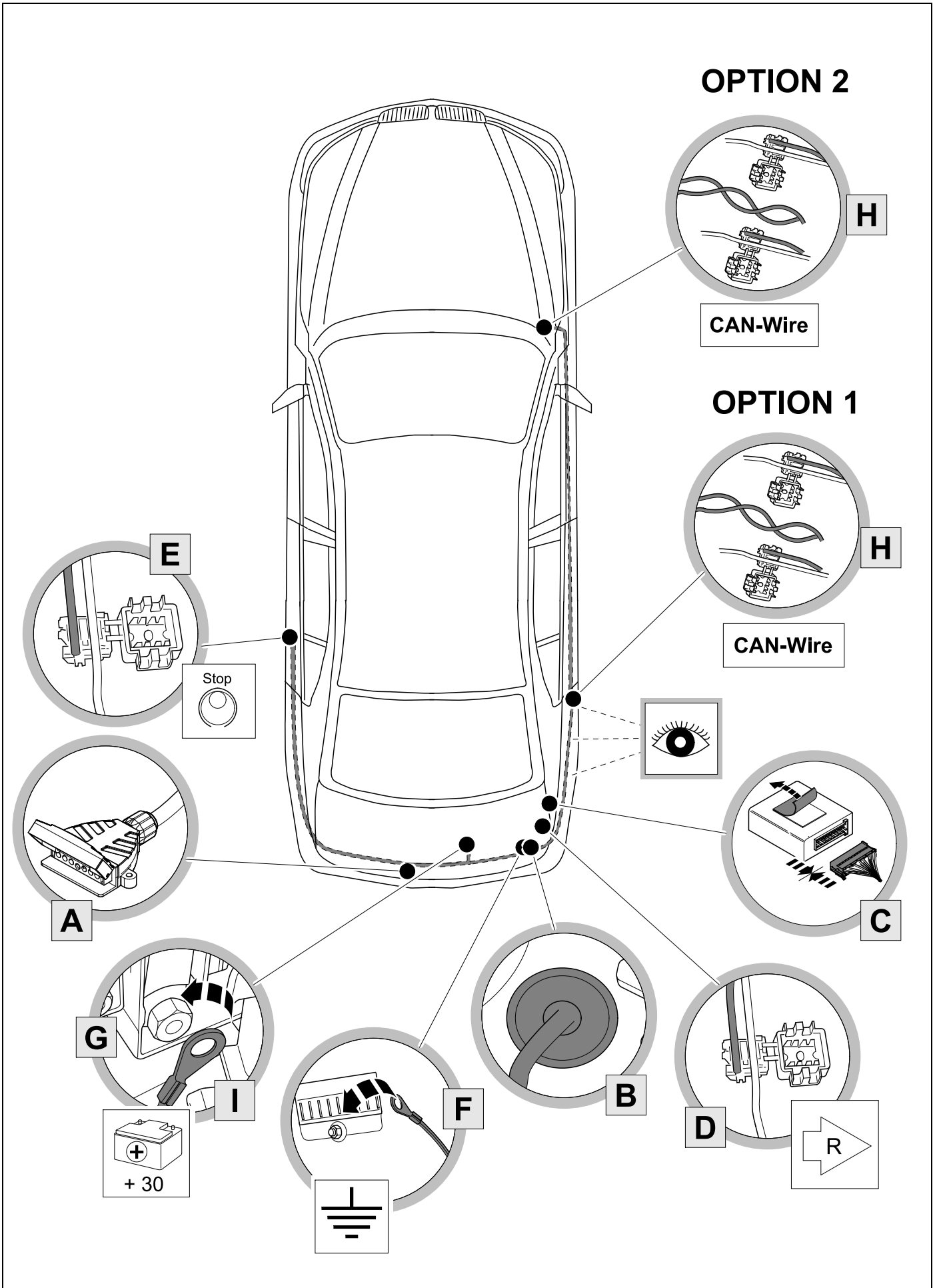
10 2.

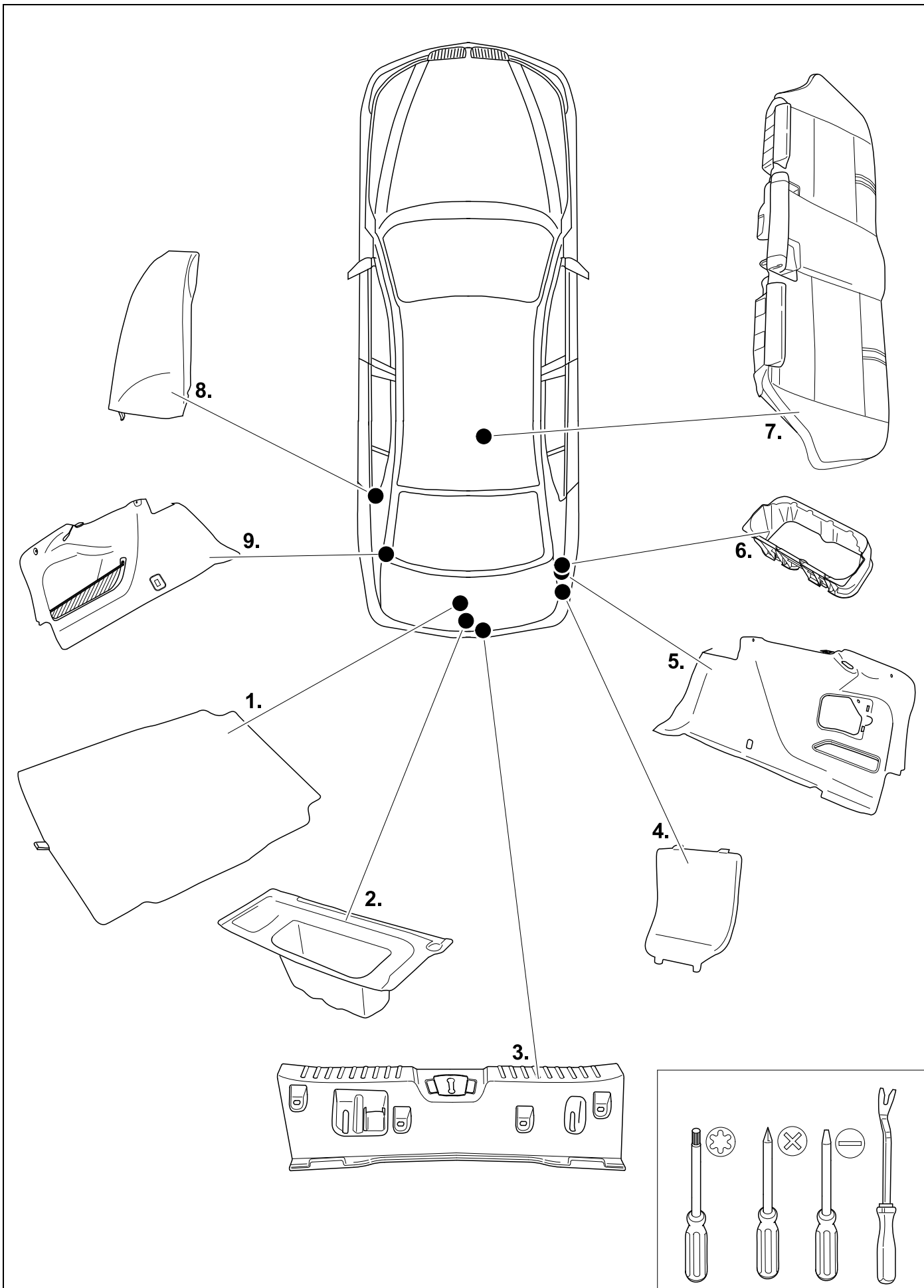
bk-ye

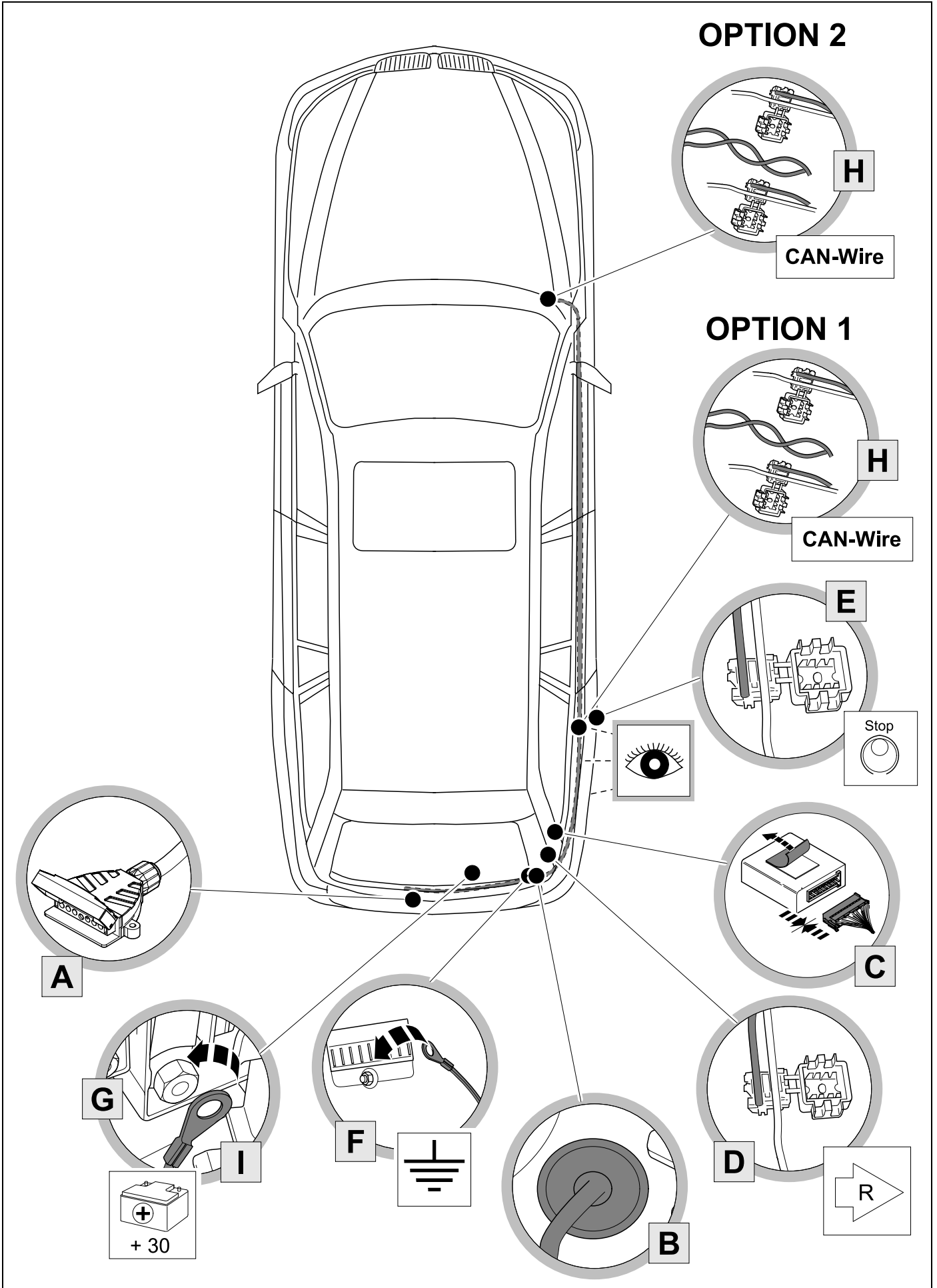
1.

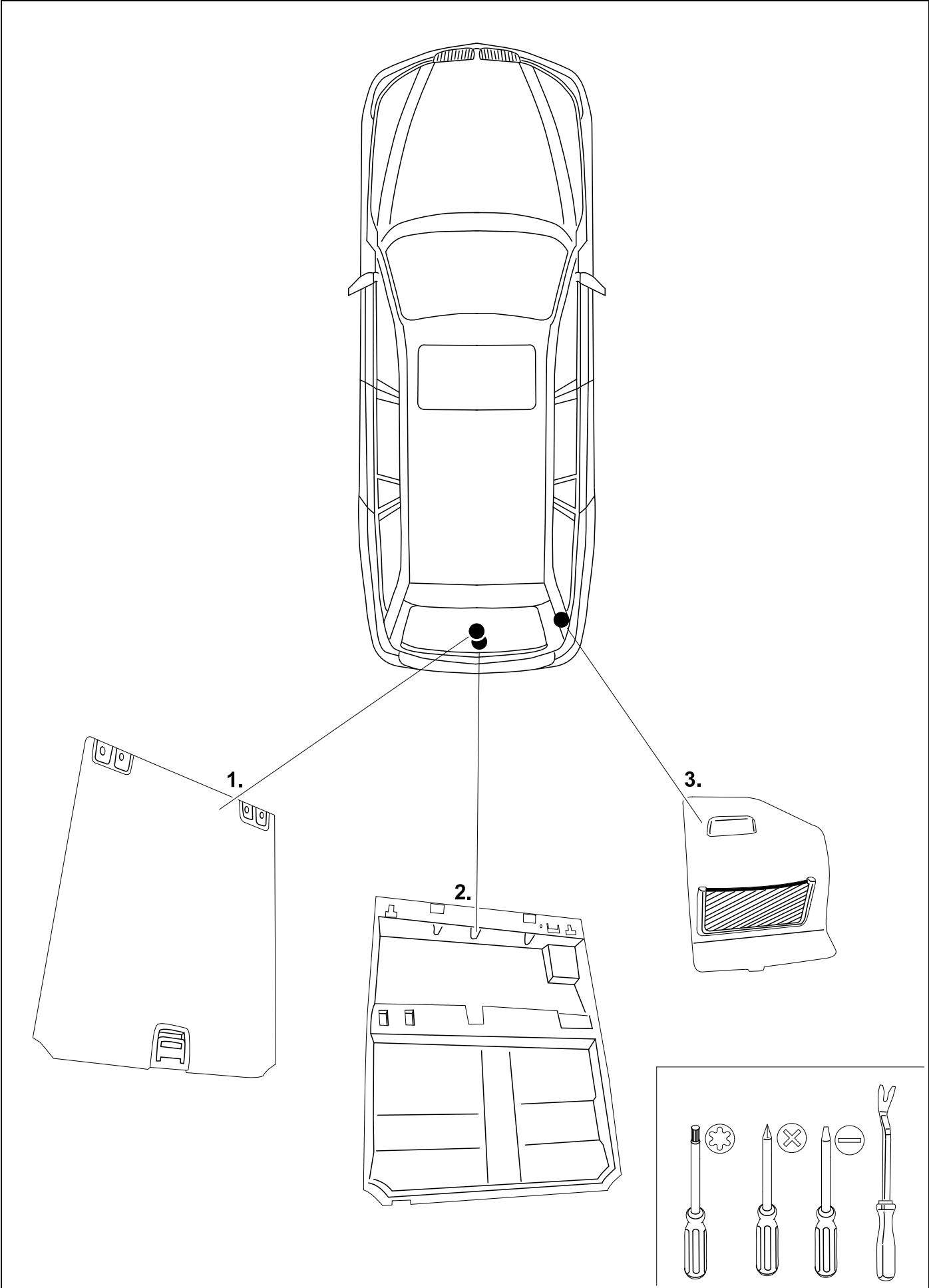
bk-ye





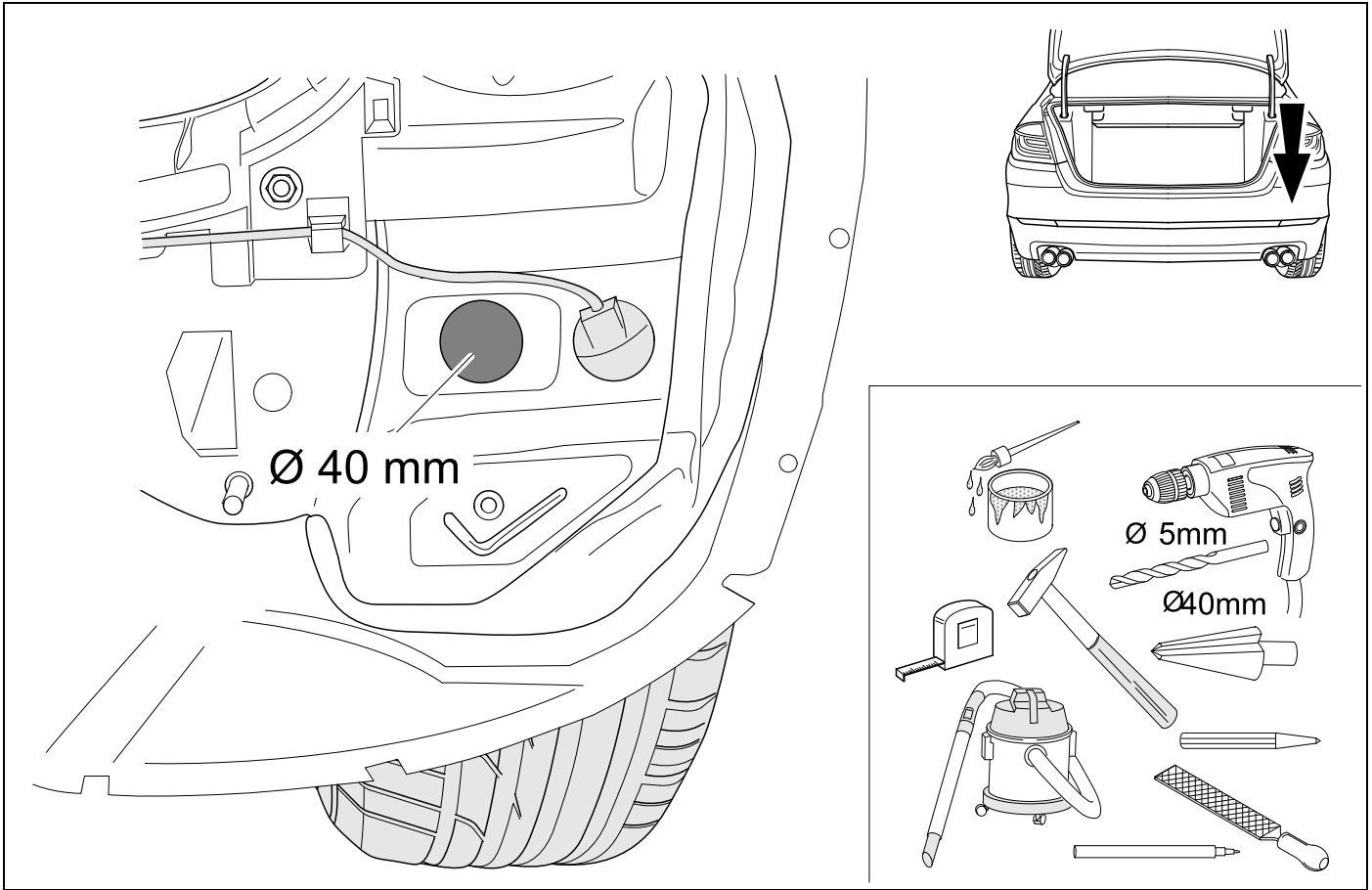






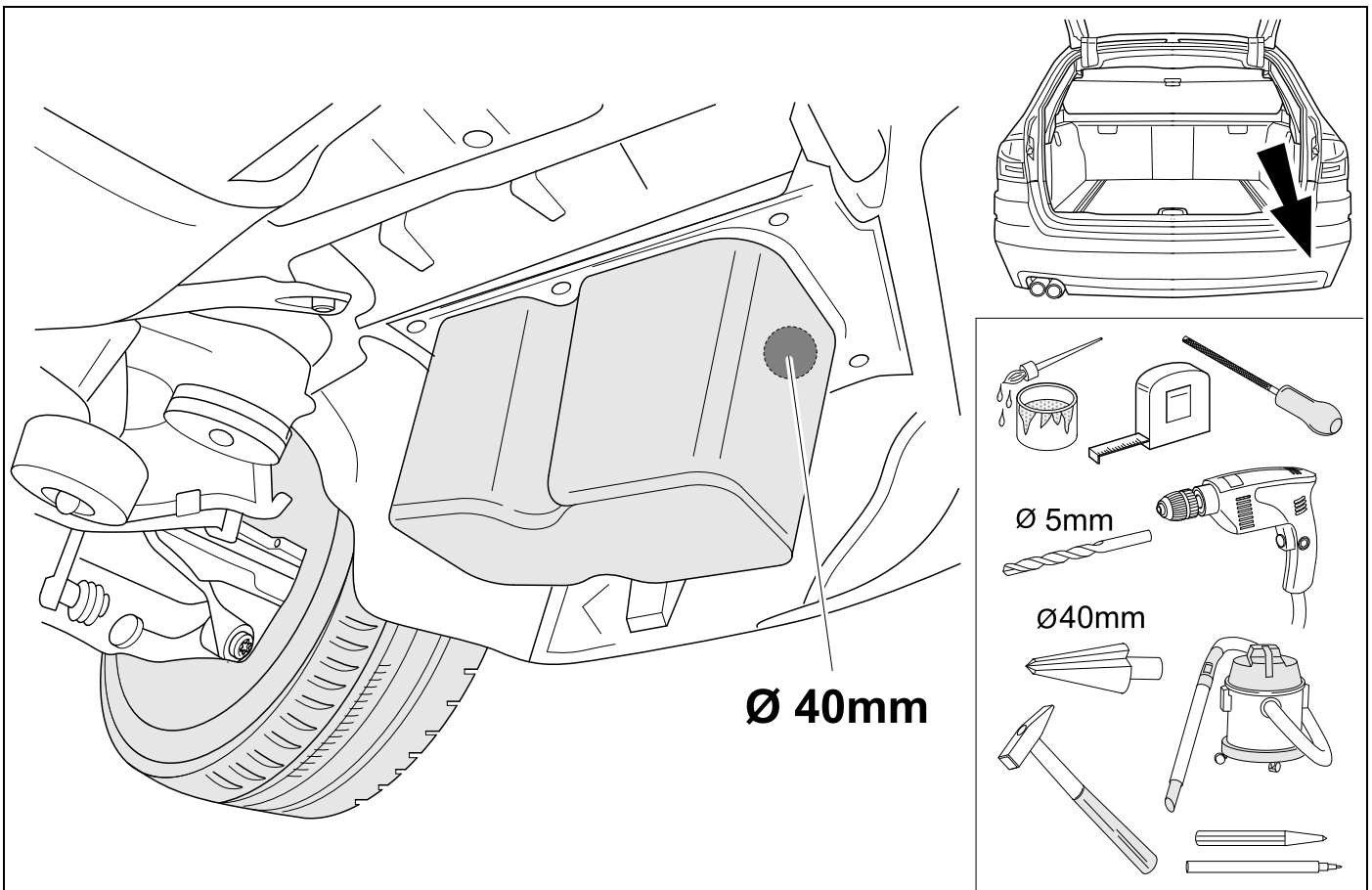
13

F10



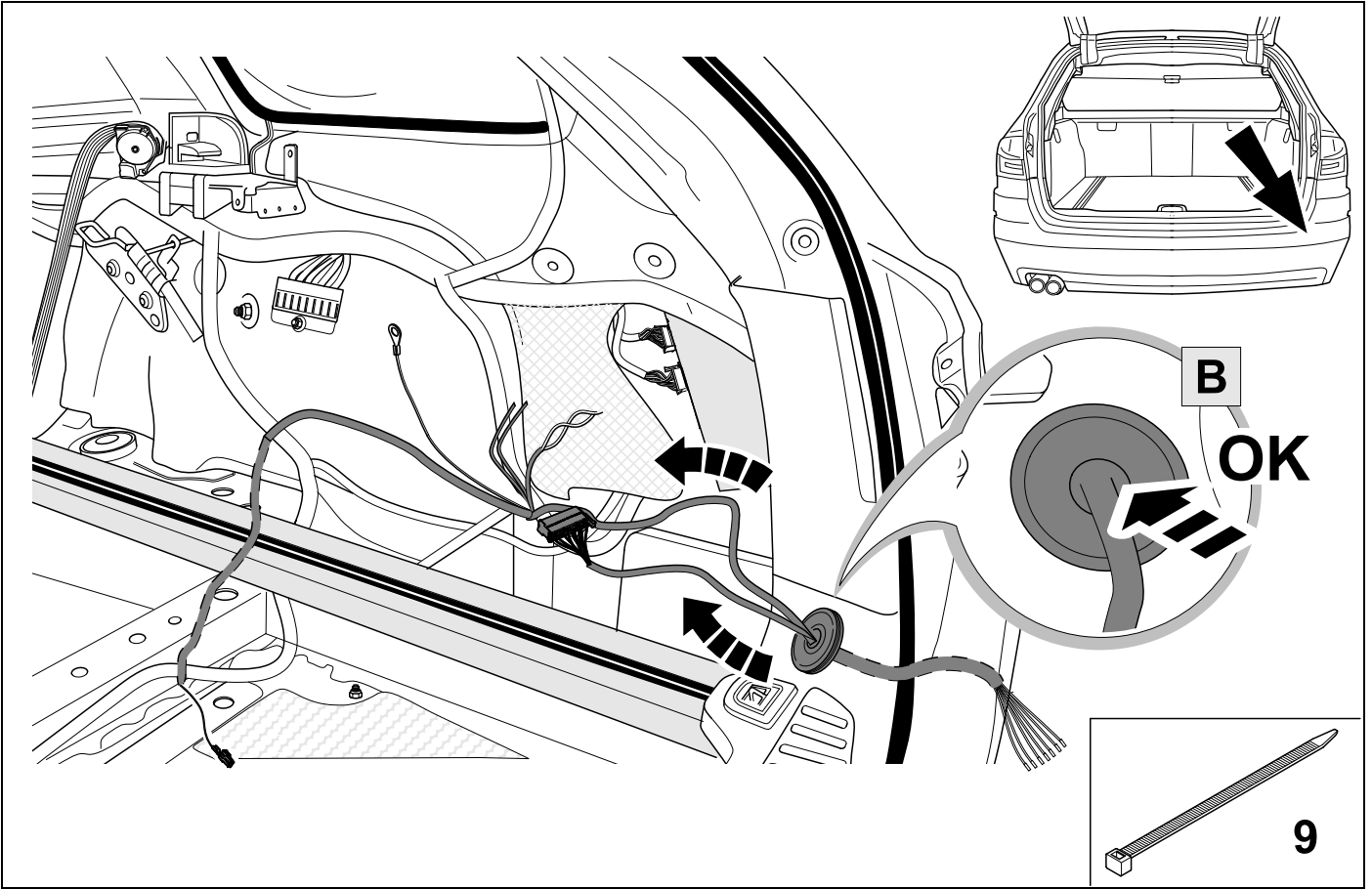
14

F11



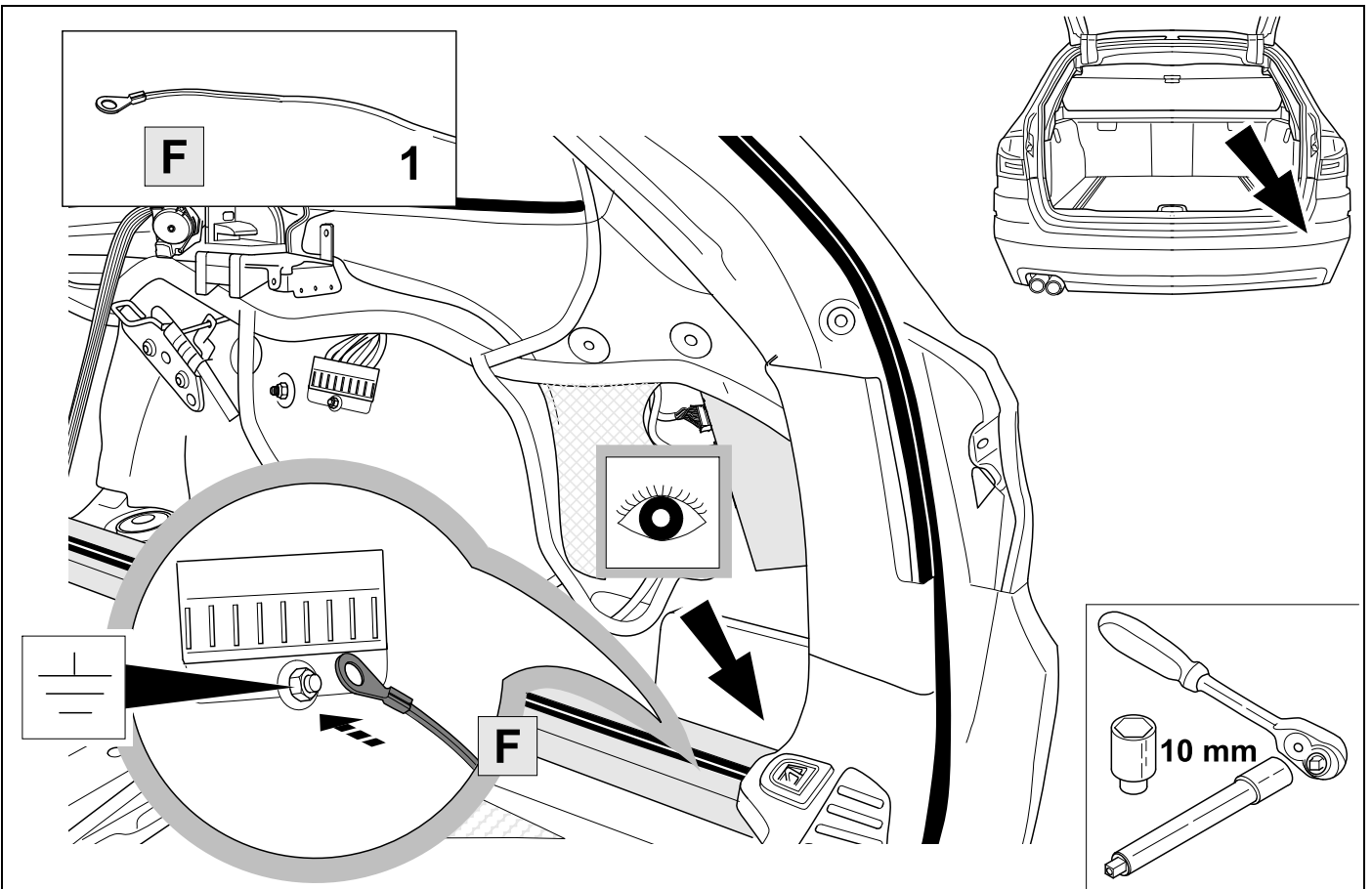
15

F10 / F11



16

F10 / F11

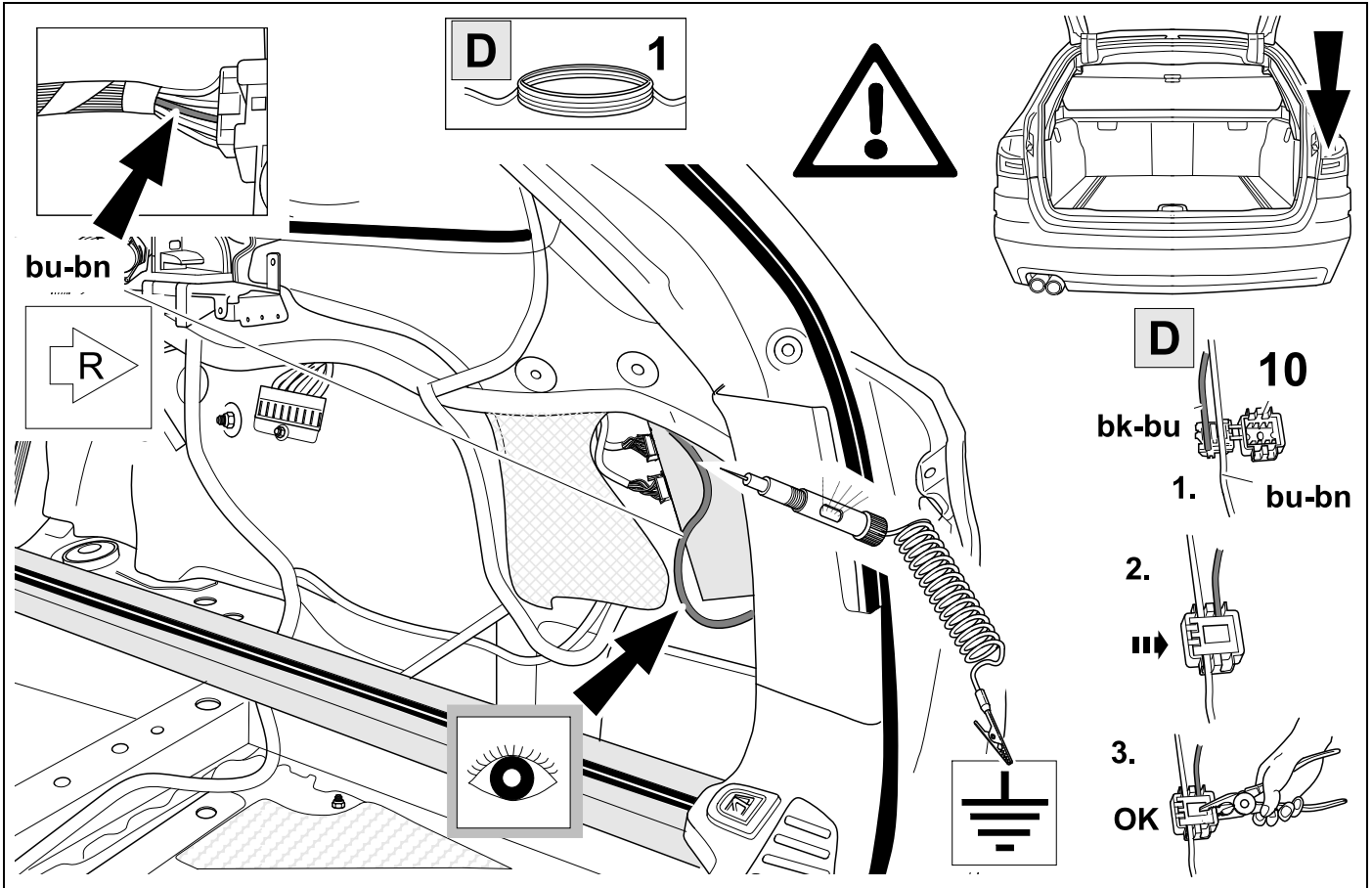


17



34

F10 / F11

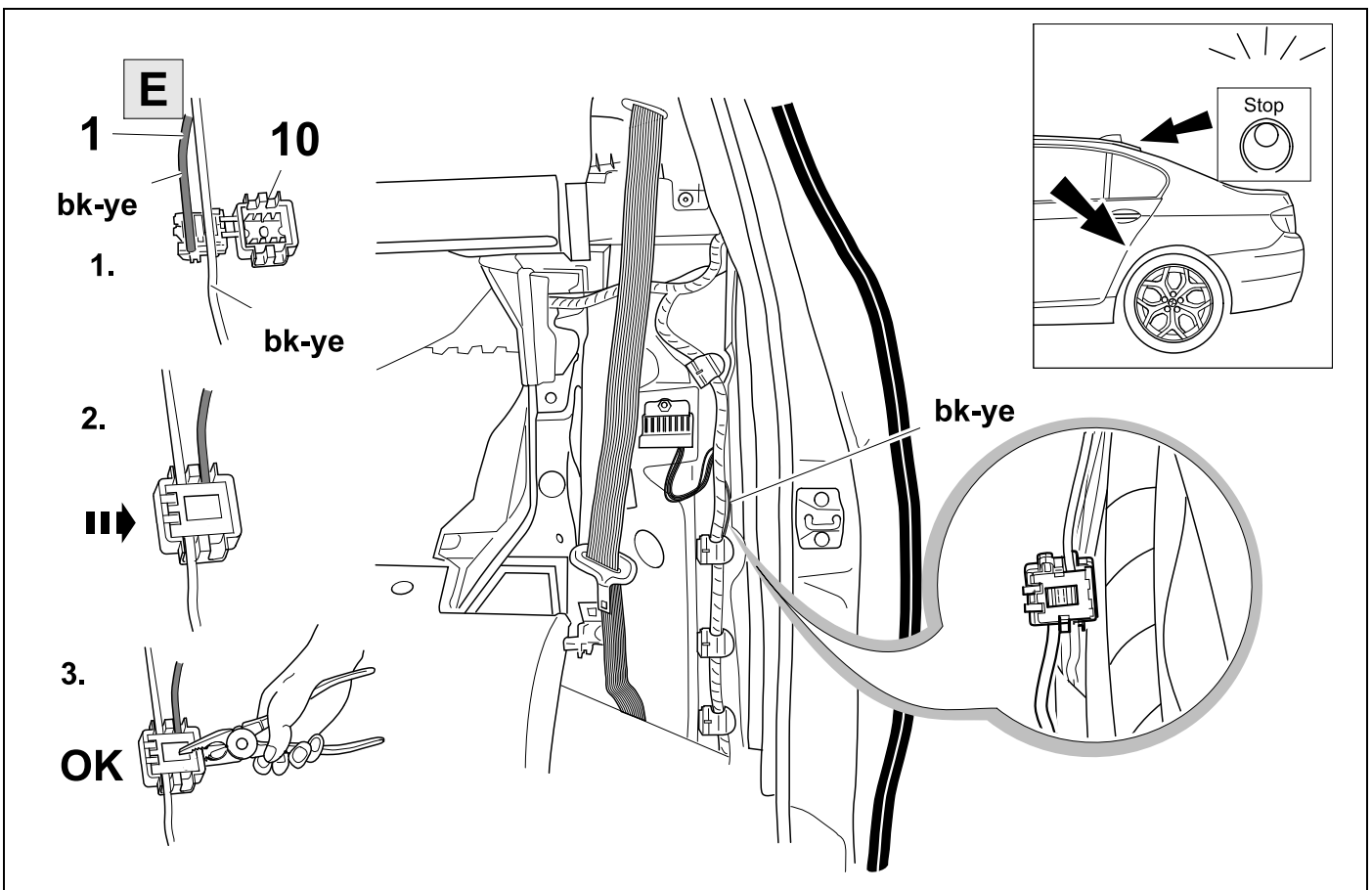


18



34

F10

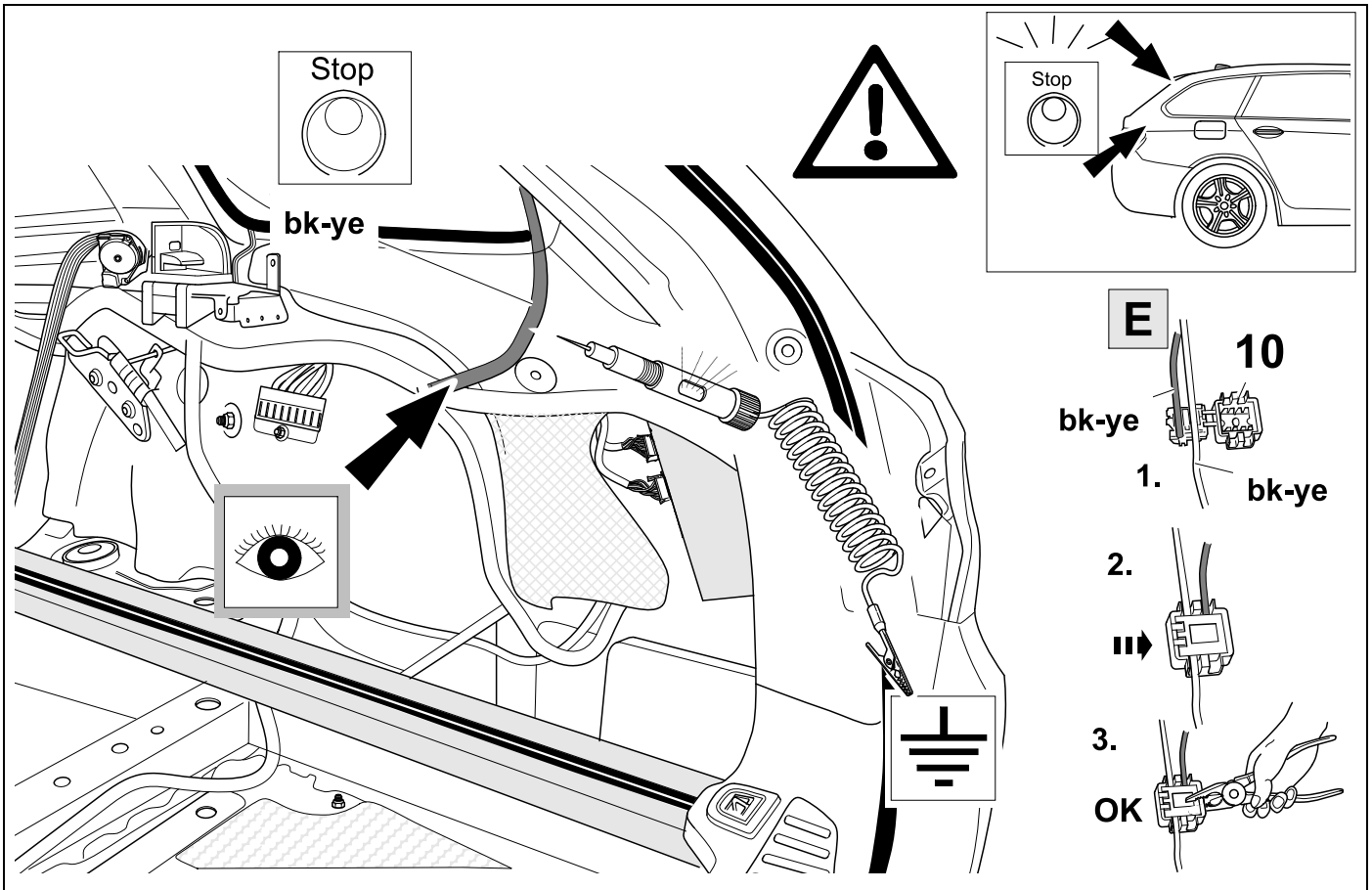


19



35

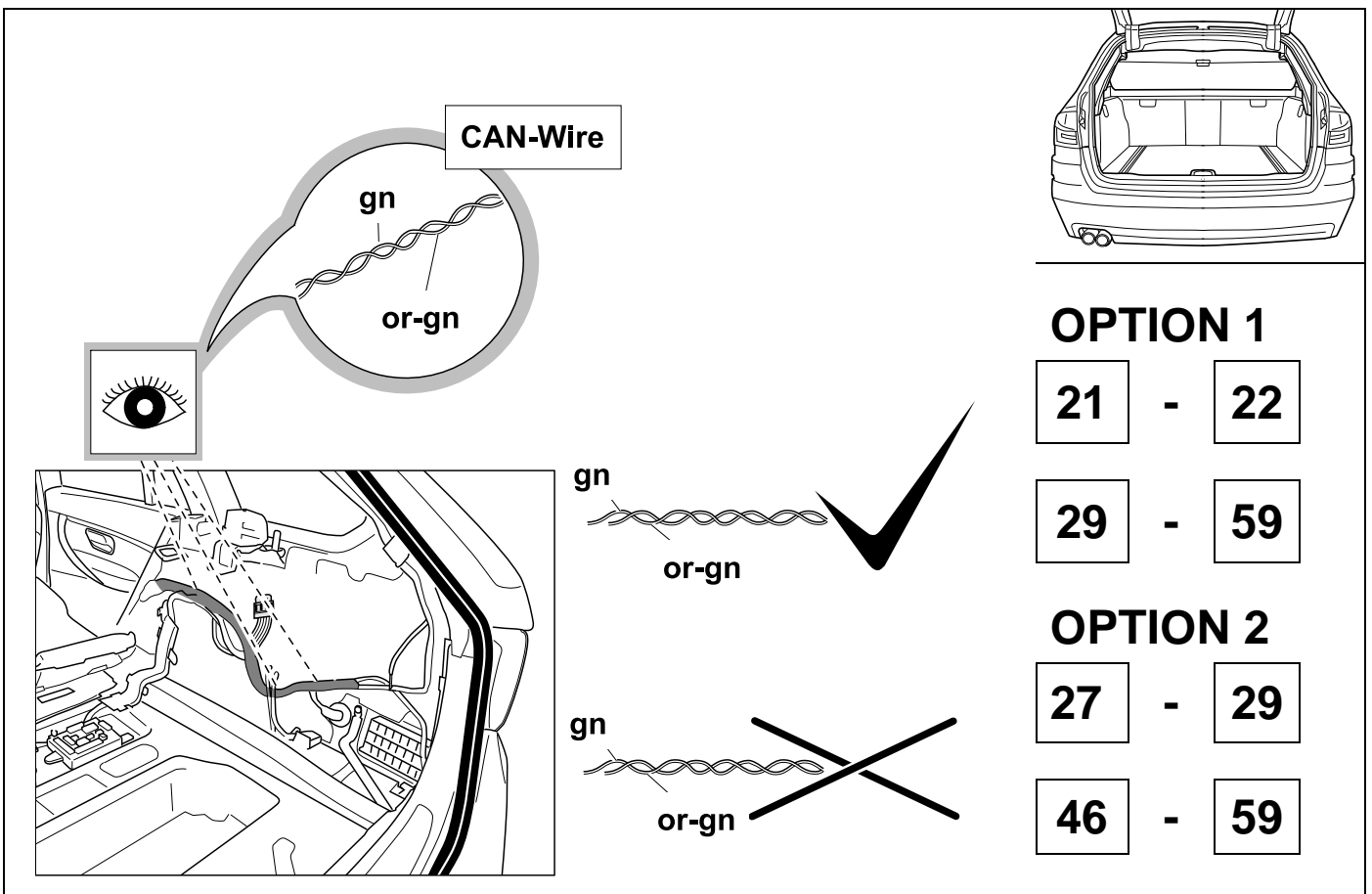
F11

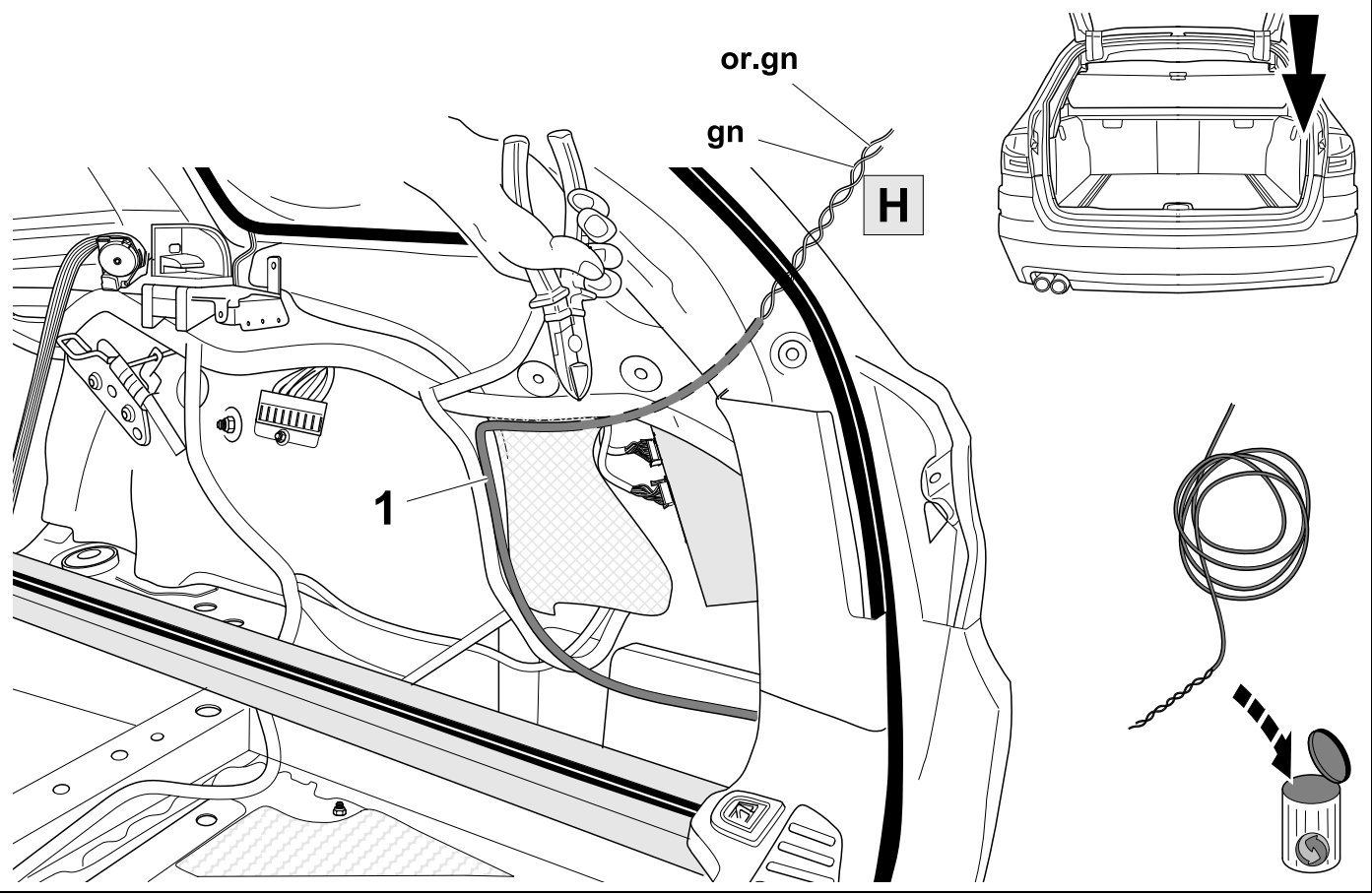


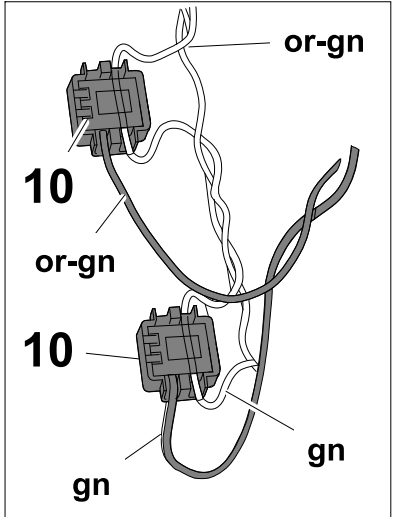
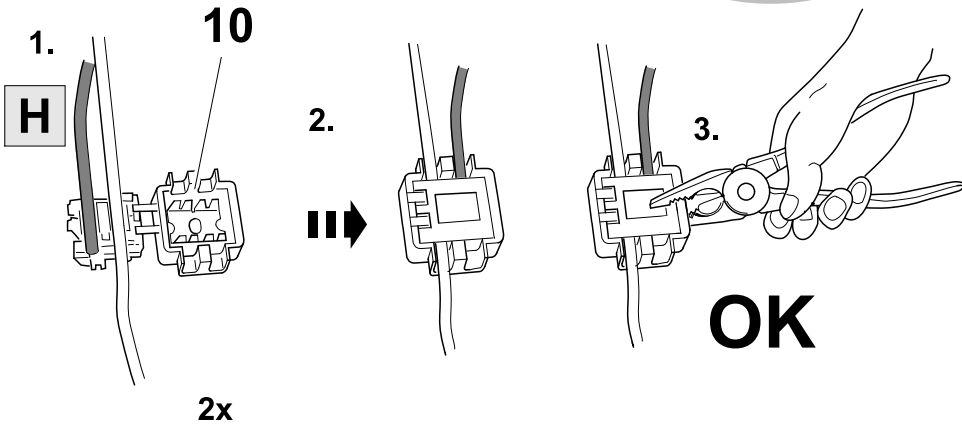
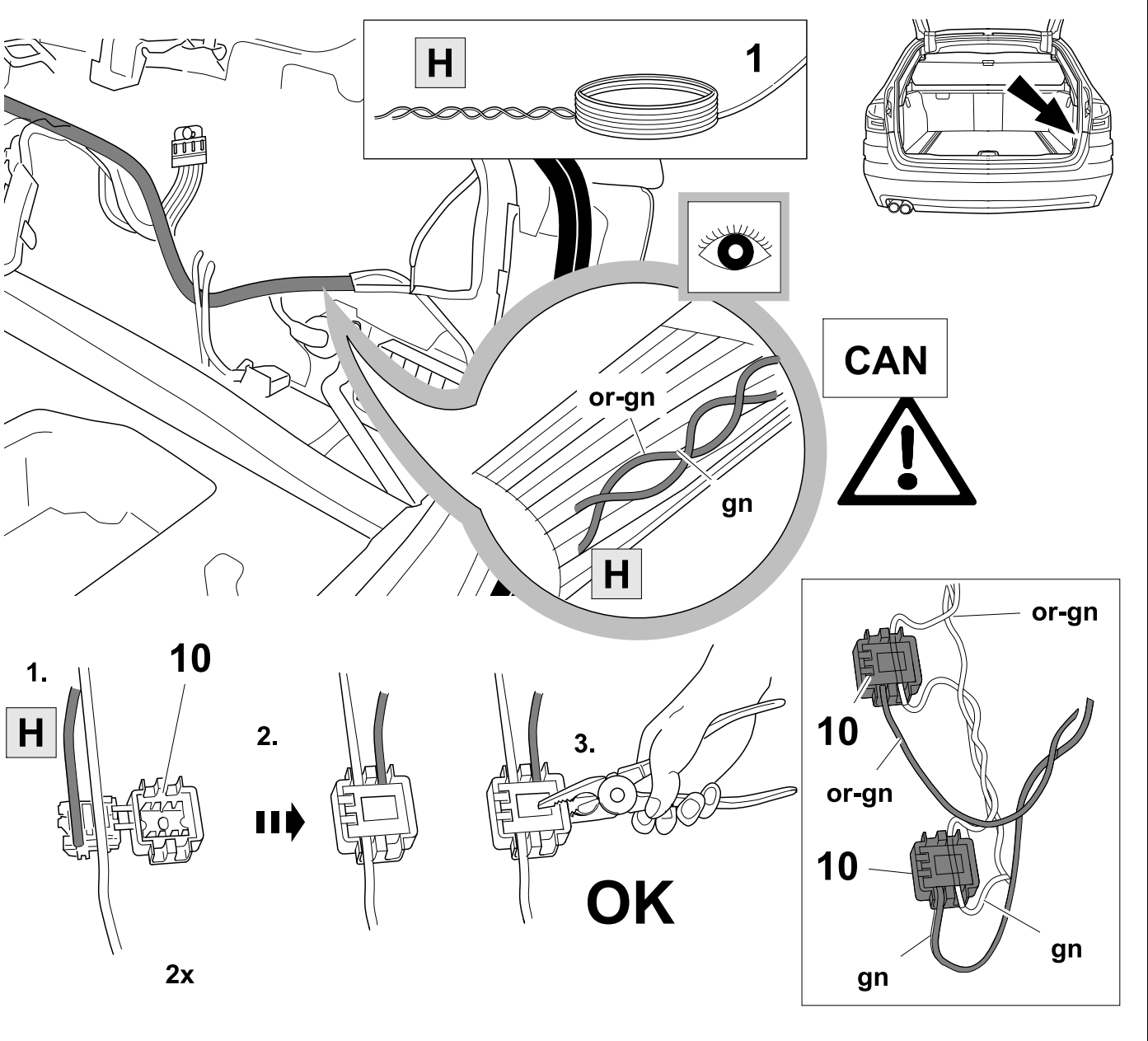
20



35



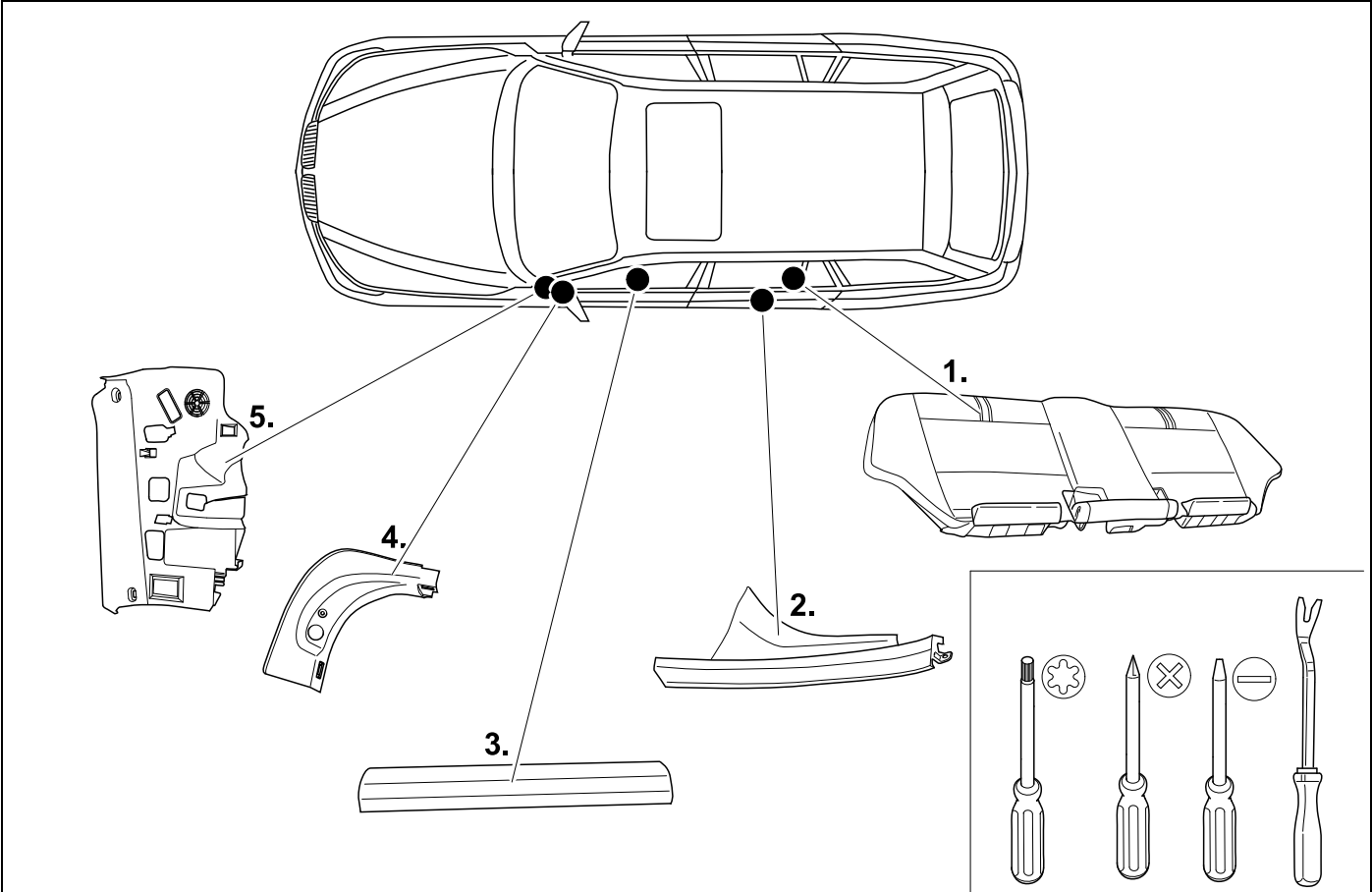




23

OPTION 2

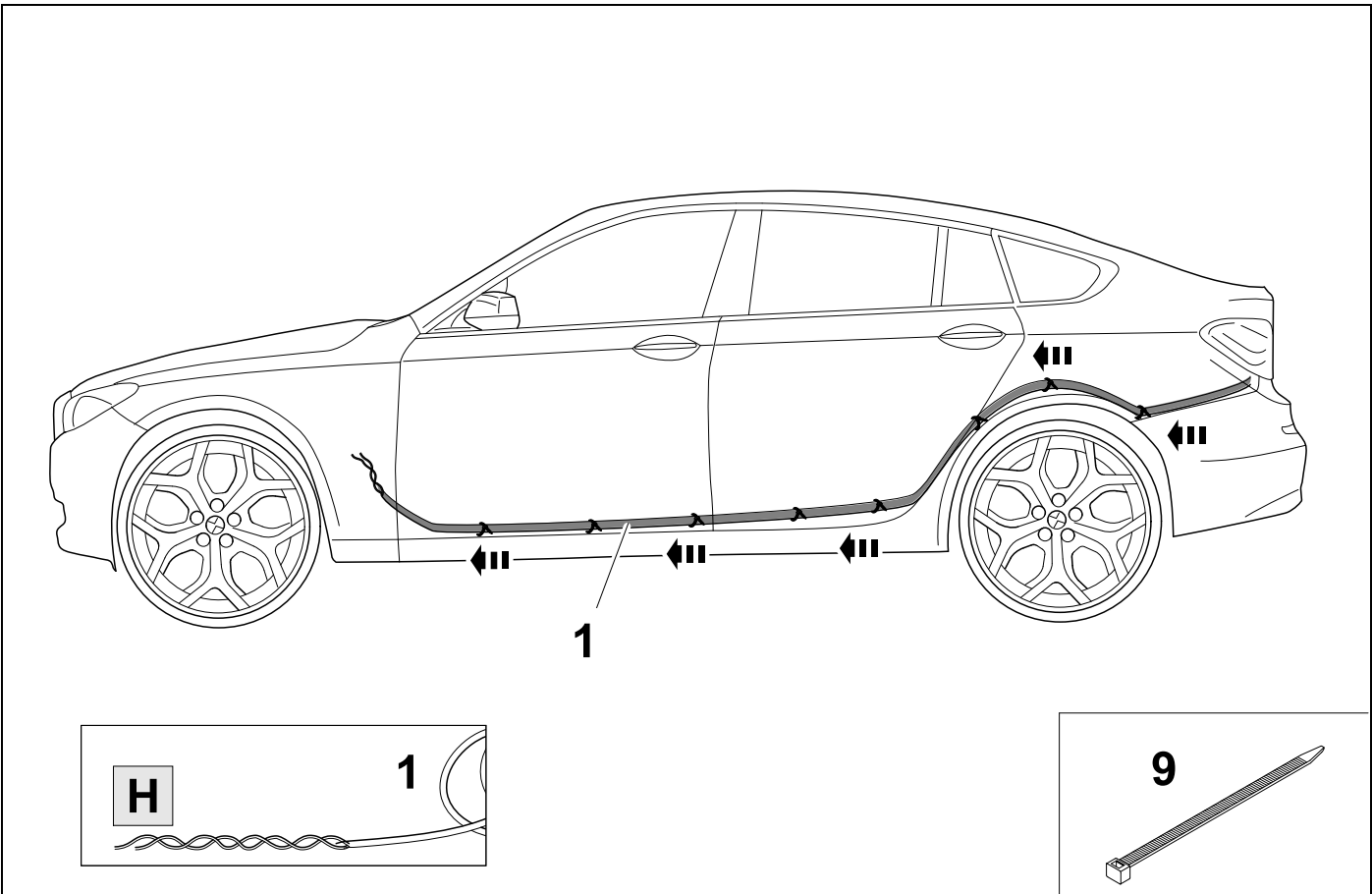
F07

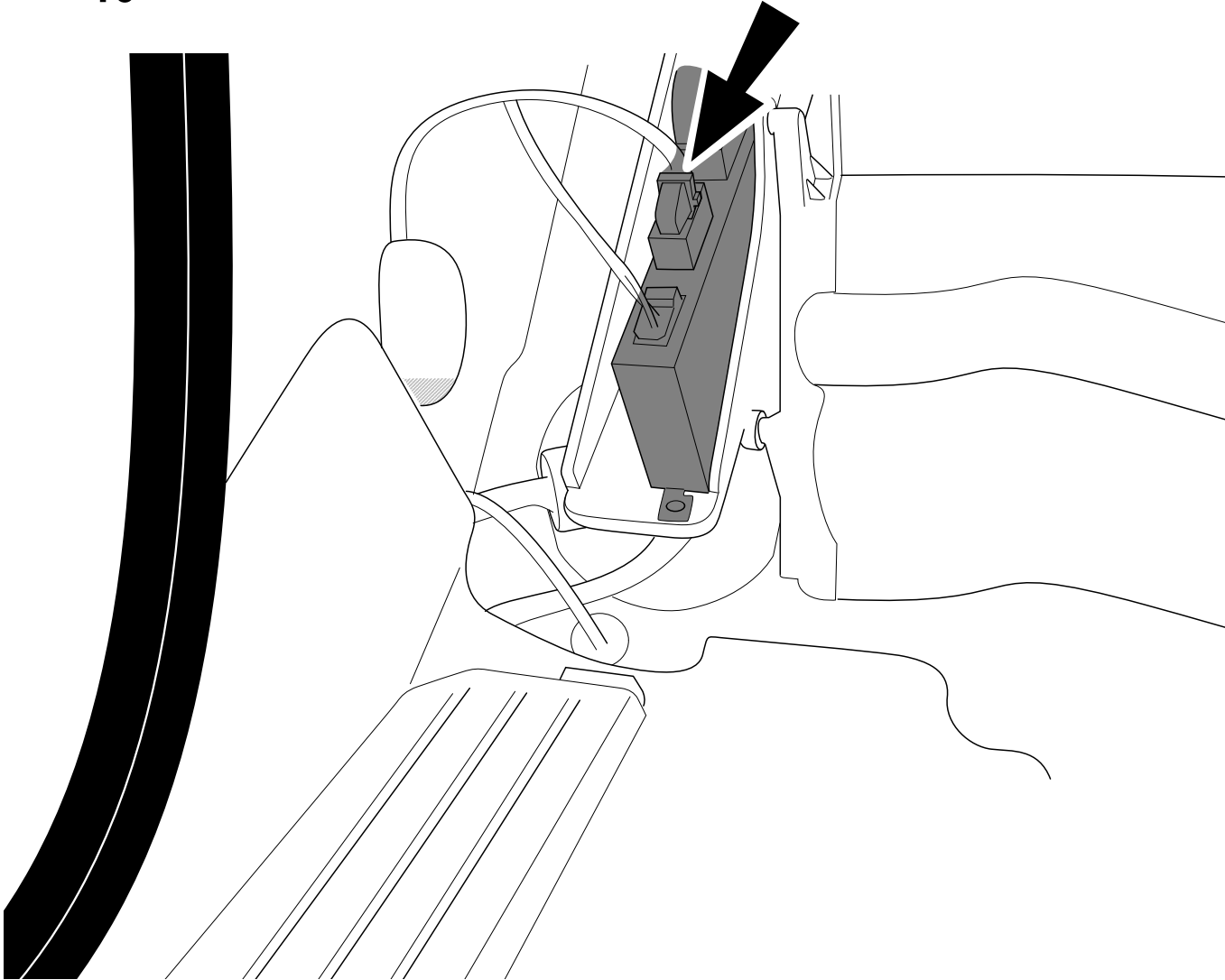
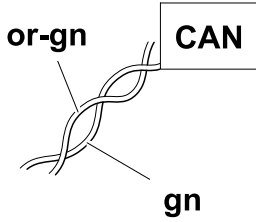
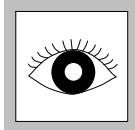
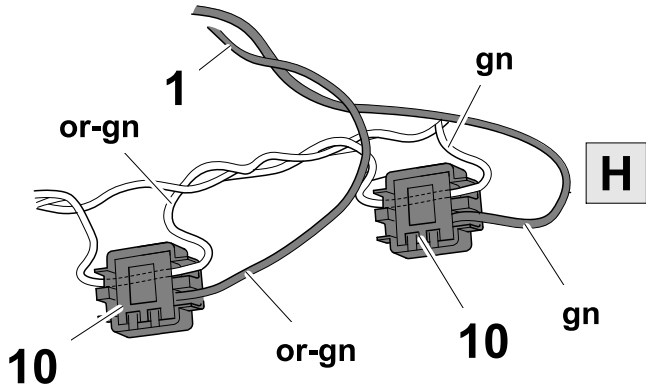
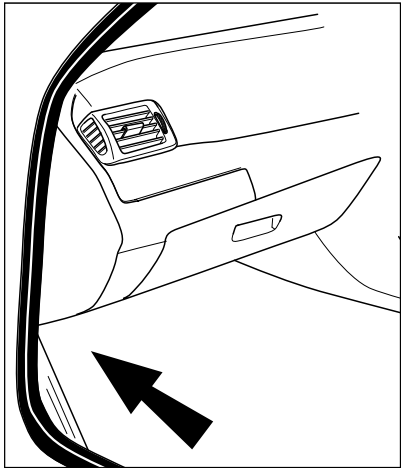
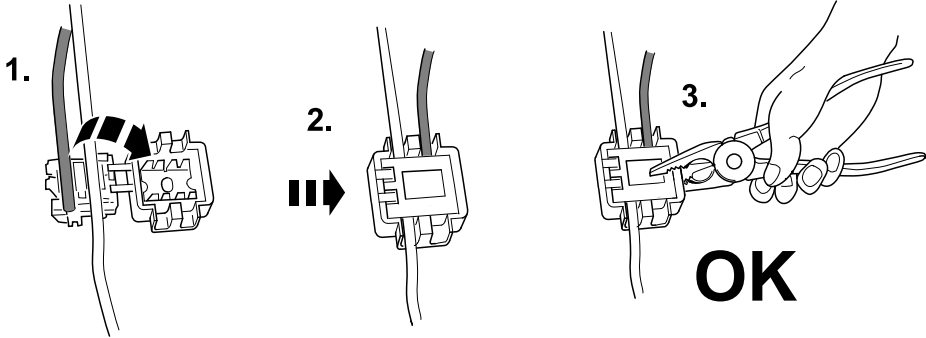


24

OPTION 2

F07

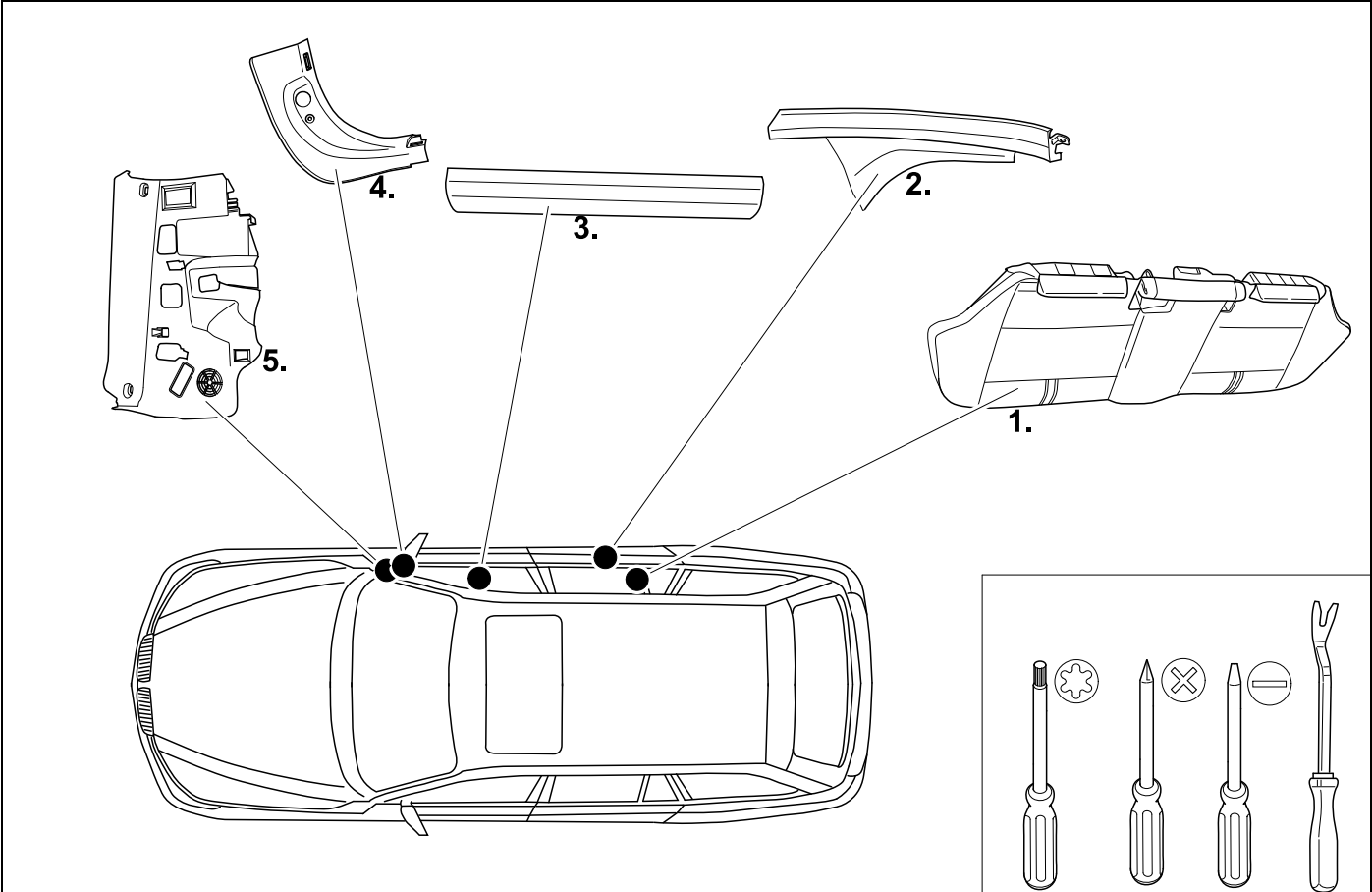




26

OPTION 2

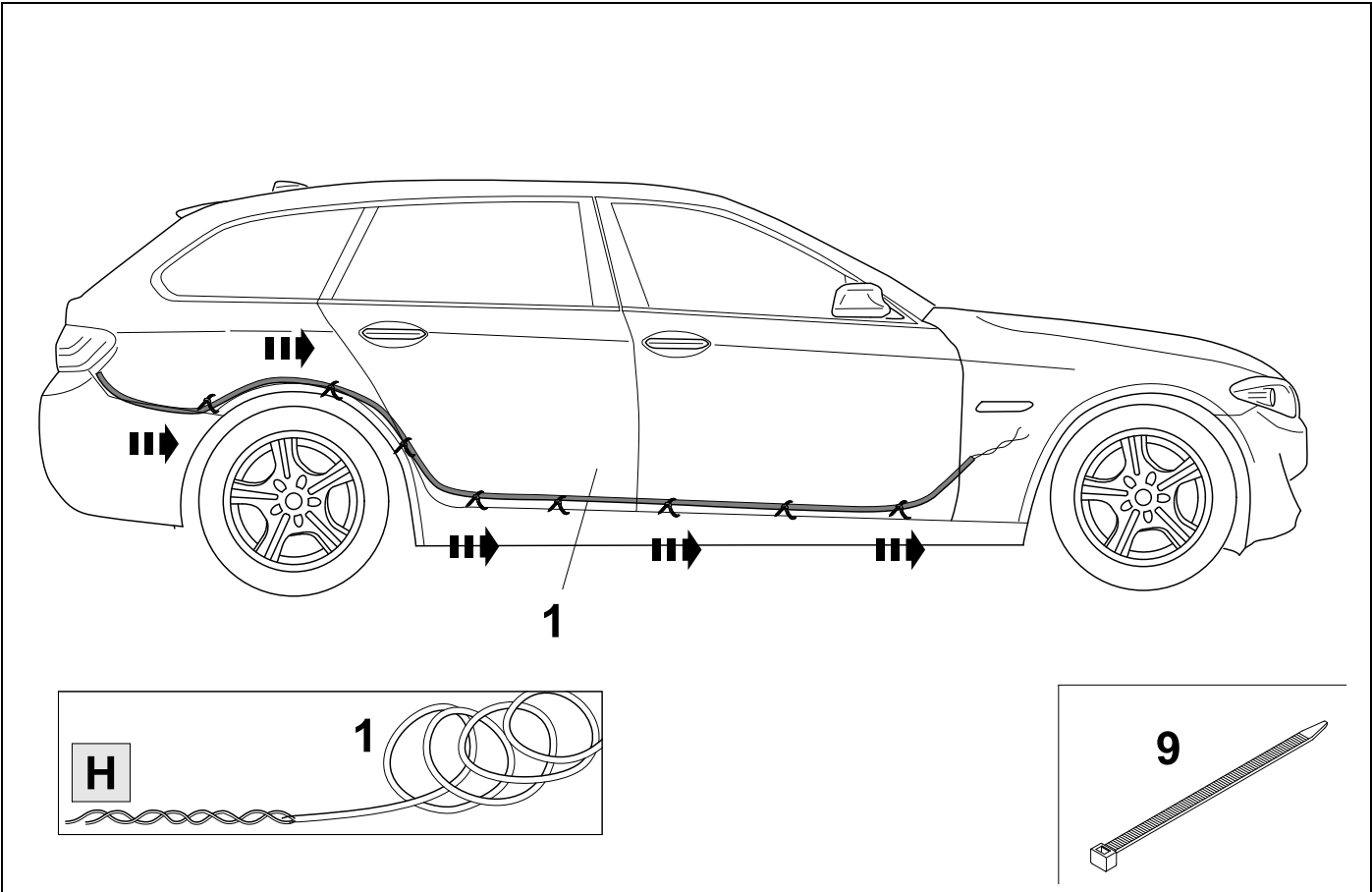
F10/ F11

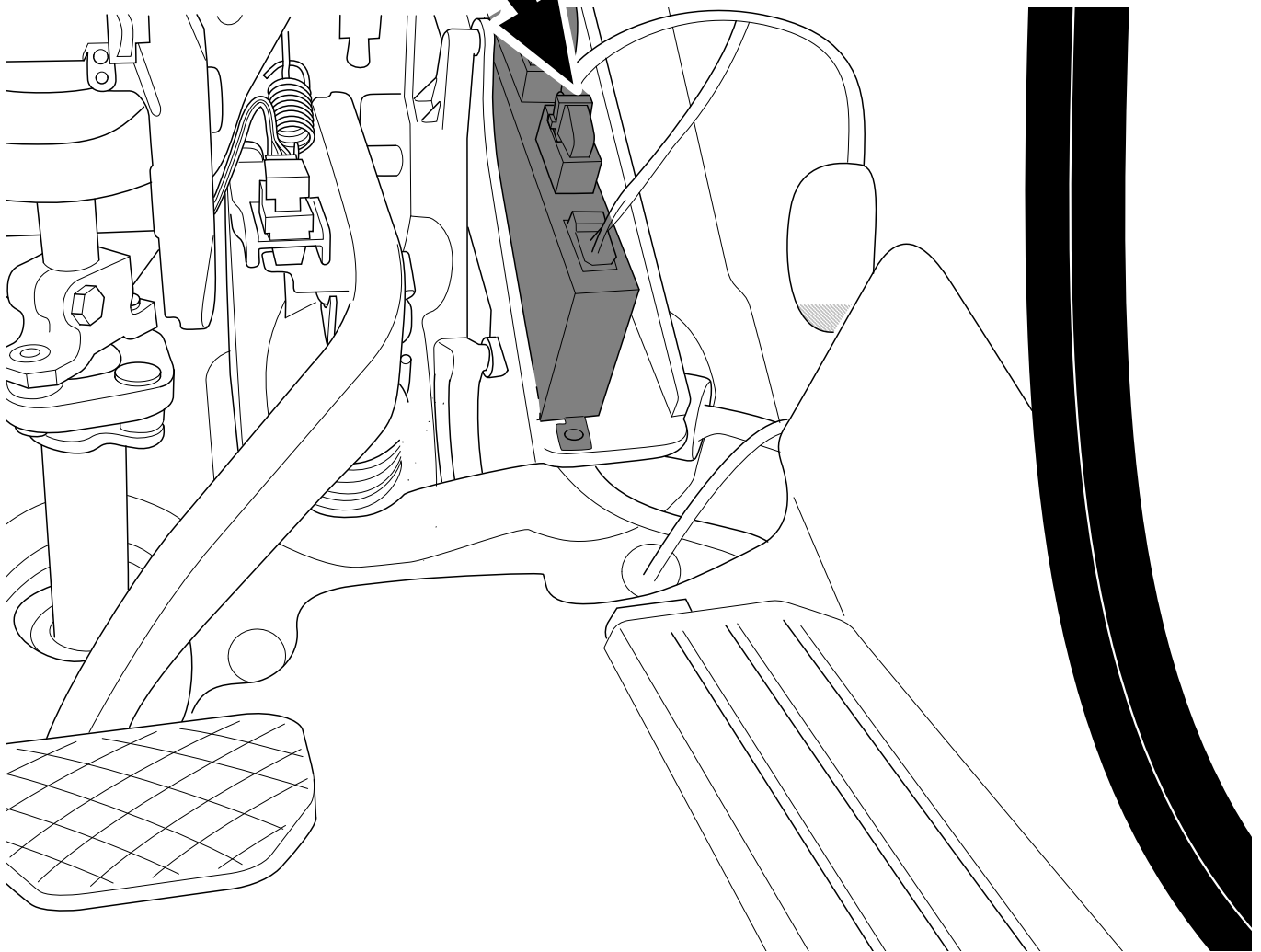
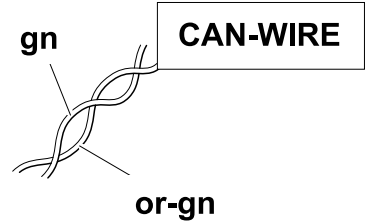
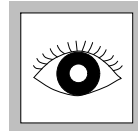
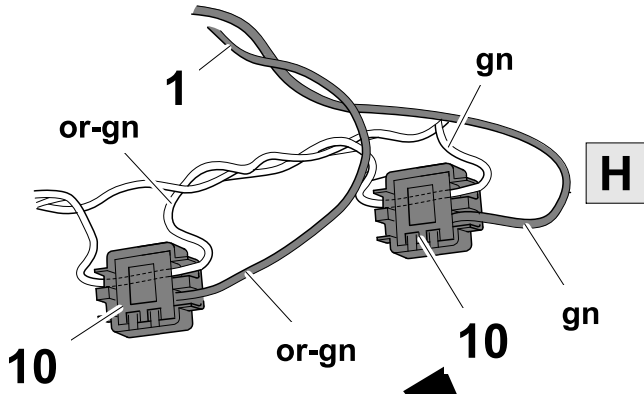
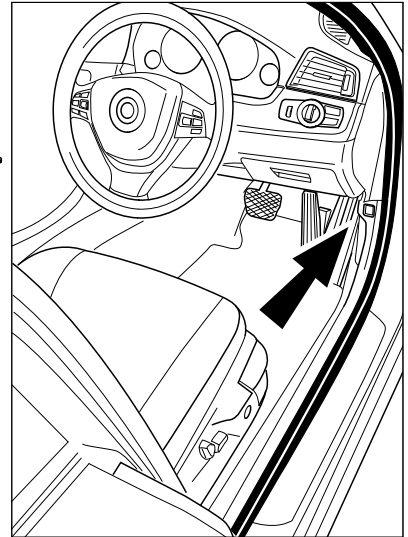
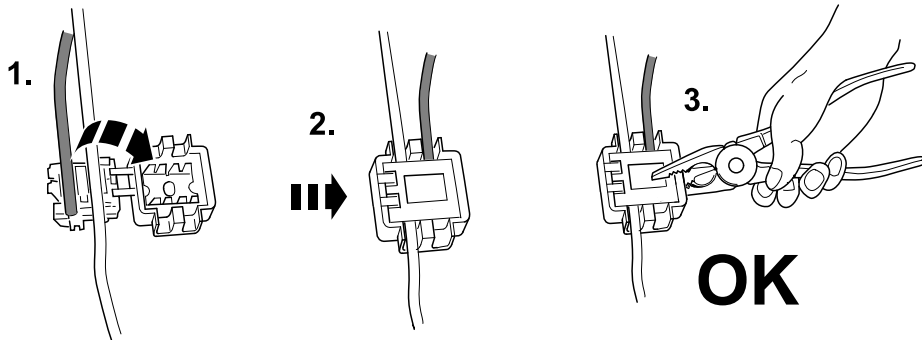


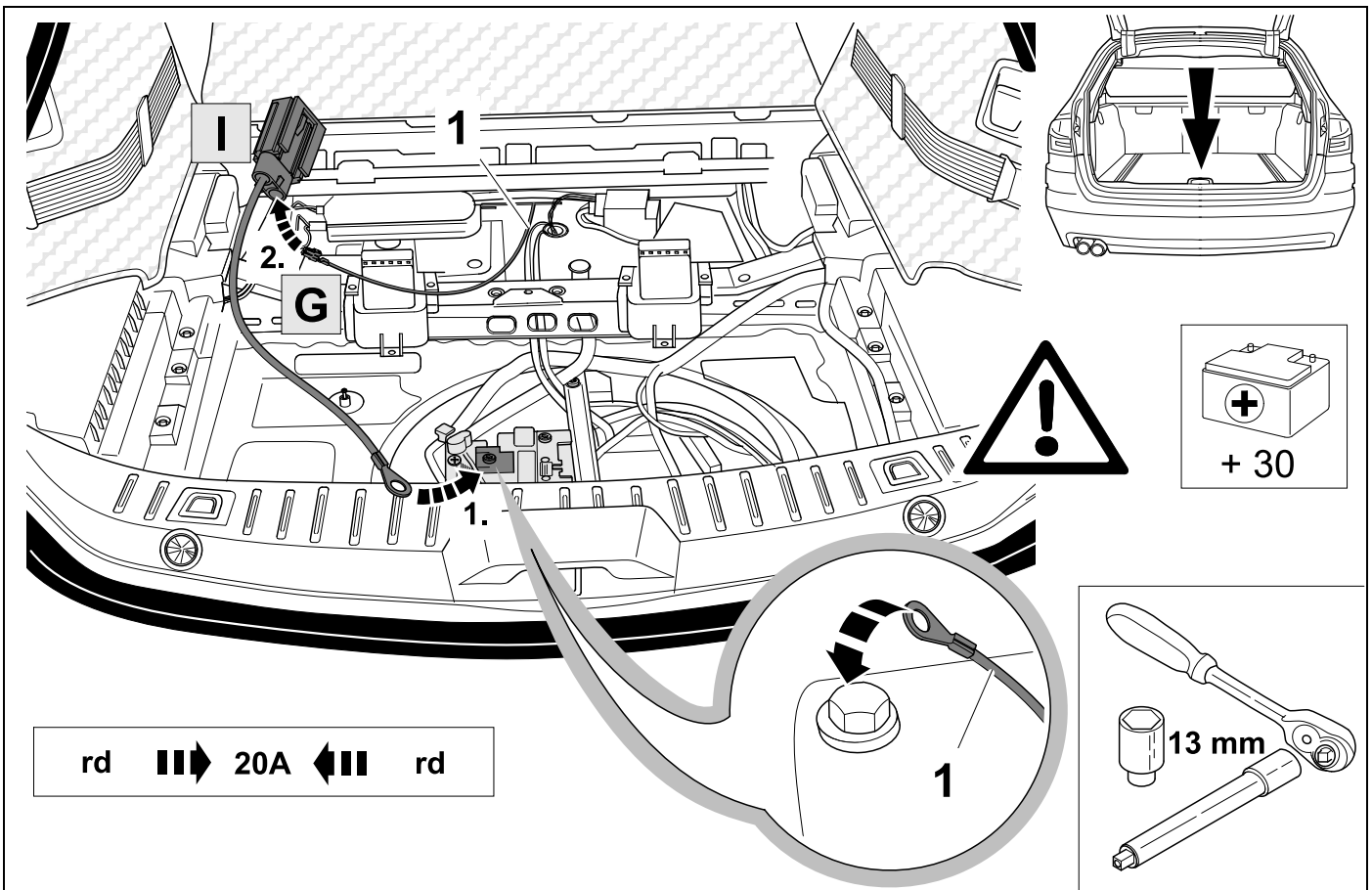
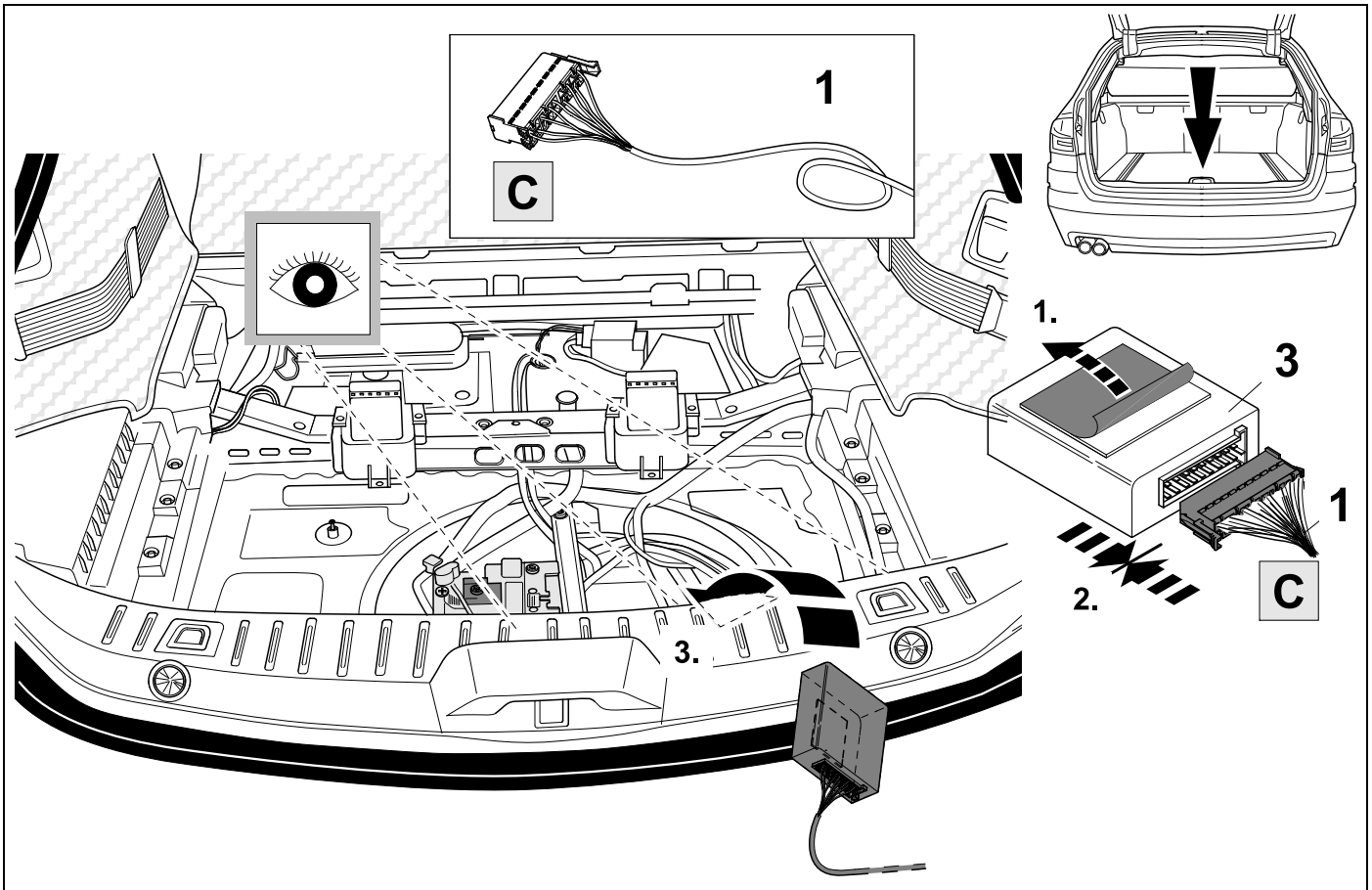
27

OPTION 2

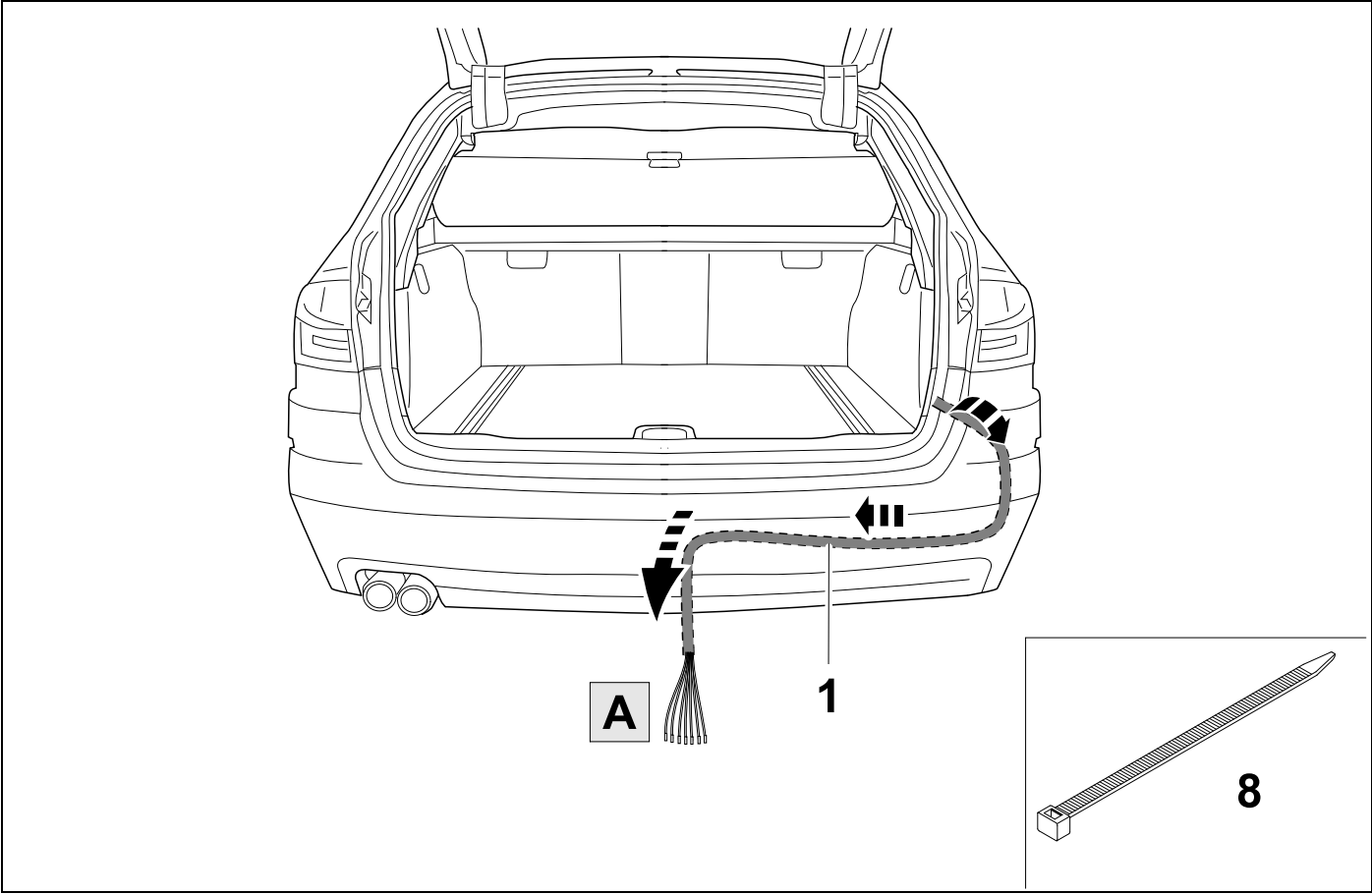
F10/ F11





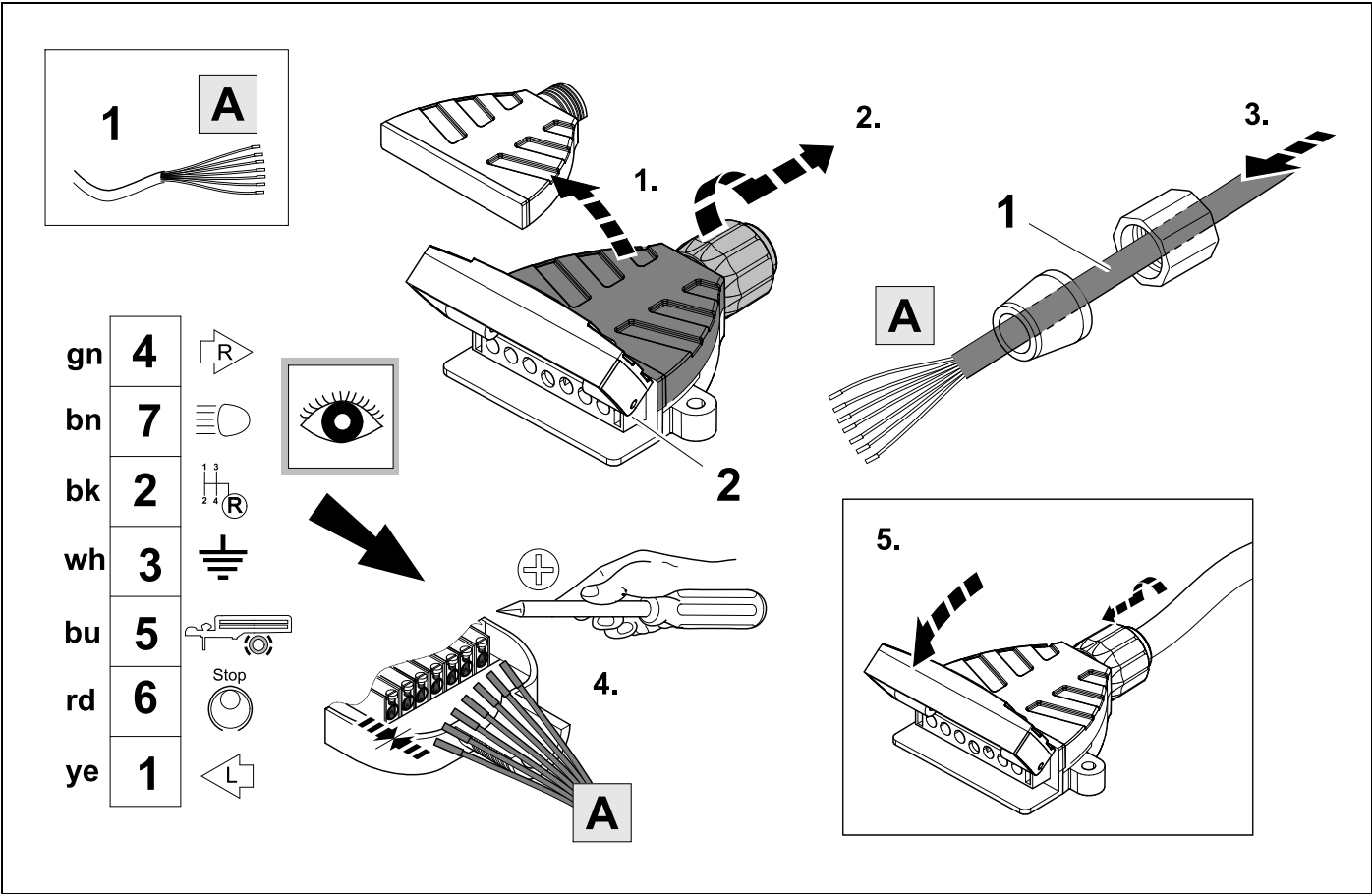


31

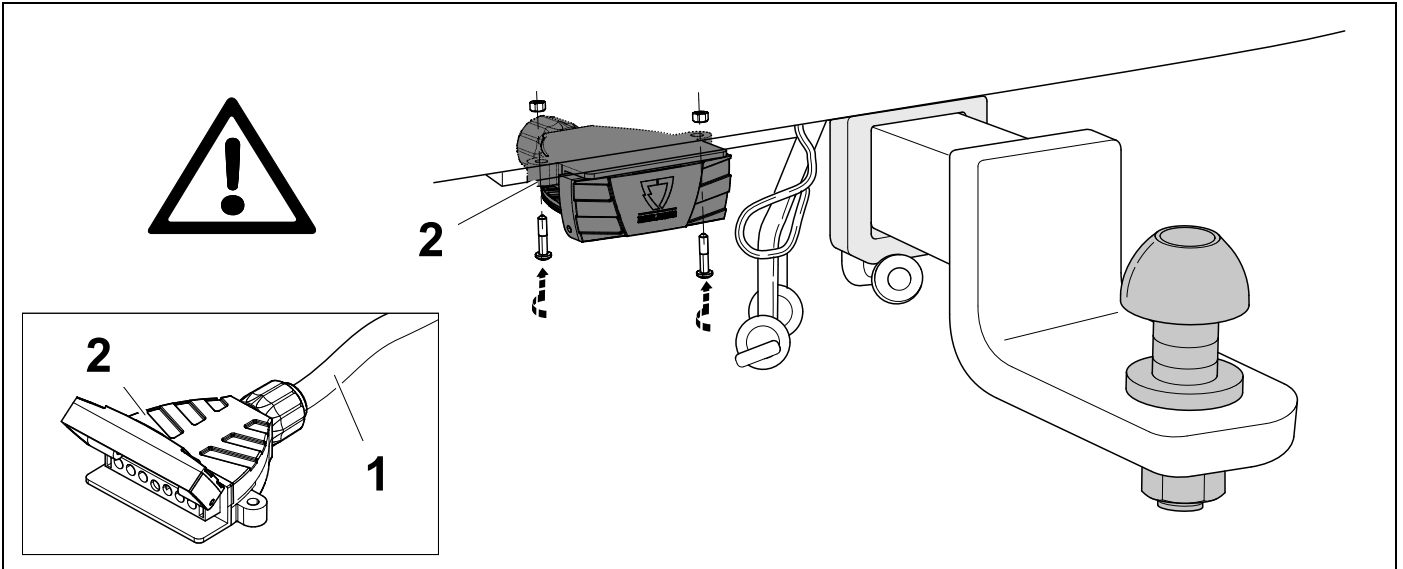


32

👁️ ⇒ 34



33



34



35

1	ye	
2	bk	
3	wh	
4	gn	
5	bu	
6	rd	
7	bn	

35	bk	wh	gy	gn	rd	bu	ye	bn	pu	or	no
	black	white	grey	green	red	blue	yellow	brown	purple	orange	not occupied



Trailer Brake Preparation

The diagram illustrates the preparation of a trailer brake controller. It includes a warning triangle with an exclamation mark. The main steps are: 1. Stripping the wires of the brake controller (labeled '5') using wire cutters (labeled '6'). 2. Inserting the stripped wires into the controller housing. 3. Connecting the wires to the trailer harness (labeled 'J', 'bu', 'rd'). 4. A separate view shows the wires from the trailer harness being inserted into the controller housing (labeled '5').

Labels: bu, rd, 5, 6, 7, 1., 2., 3., J, rd, bu, rd.

5 6 7

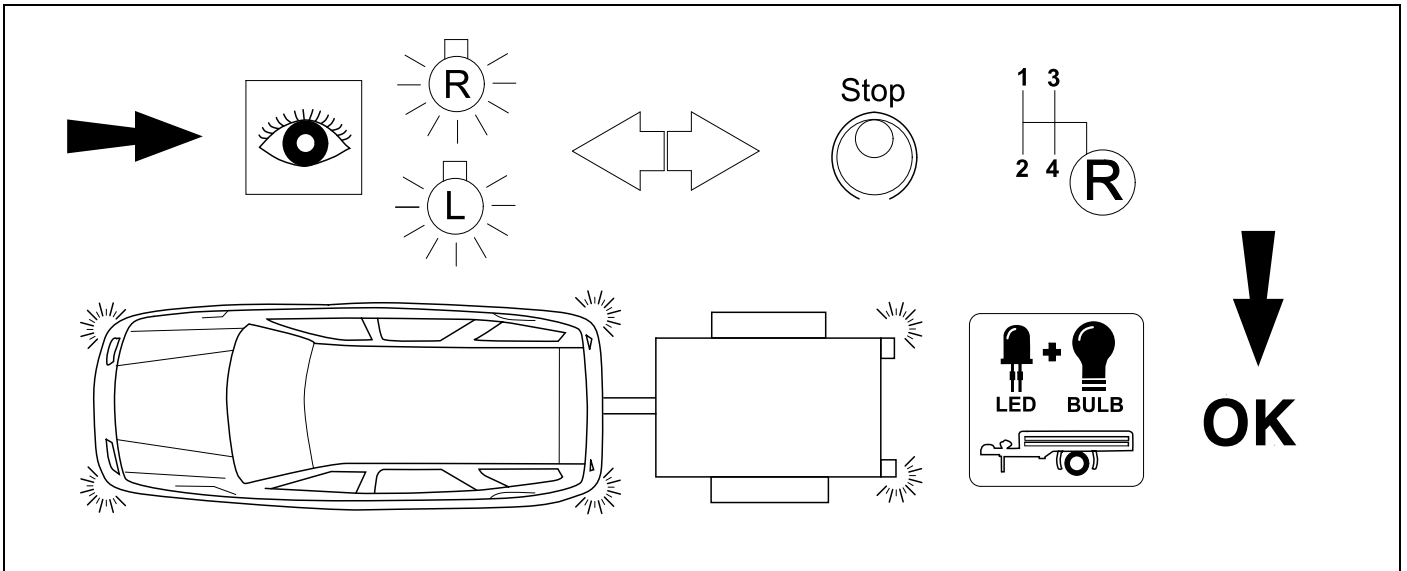
5: Controller housing
6: Wire cutters
7: Wire stripping tool

BRAKE CONTROLLER PREPARED

The diagram shows a battery with negative (-) and positive (+) terminals. A downward arrow points to the battery. To the right is an eye icon, a service manual labeled 'SERVICE', and a warning triangle with an exclamation mark.

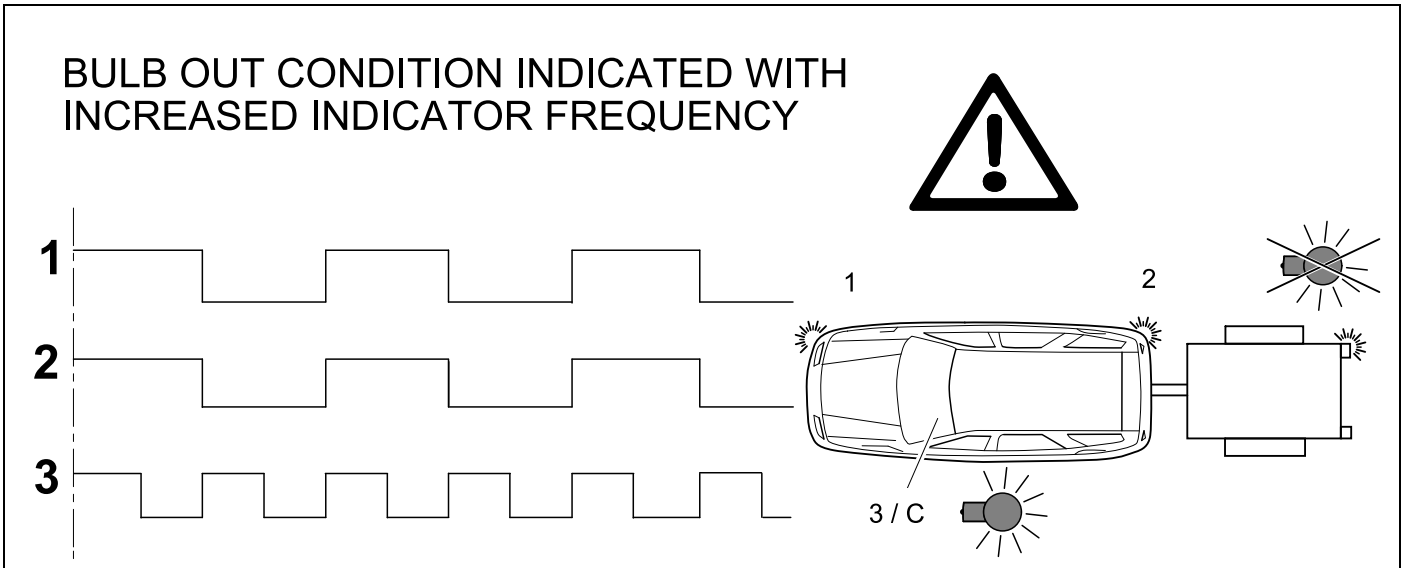
38

CHECK ALL LIGHTING FUNCTIONS



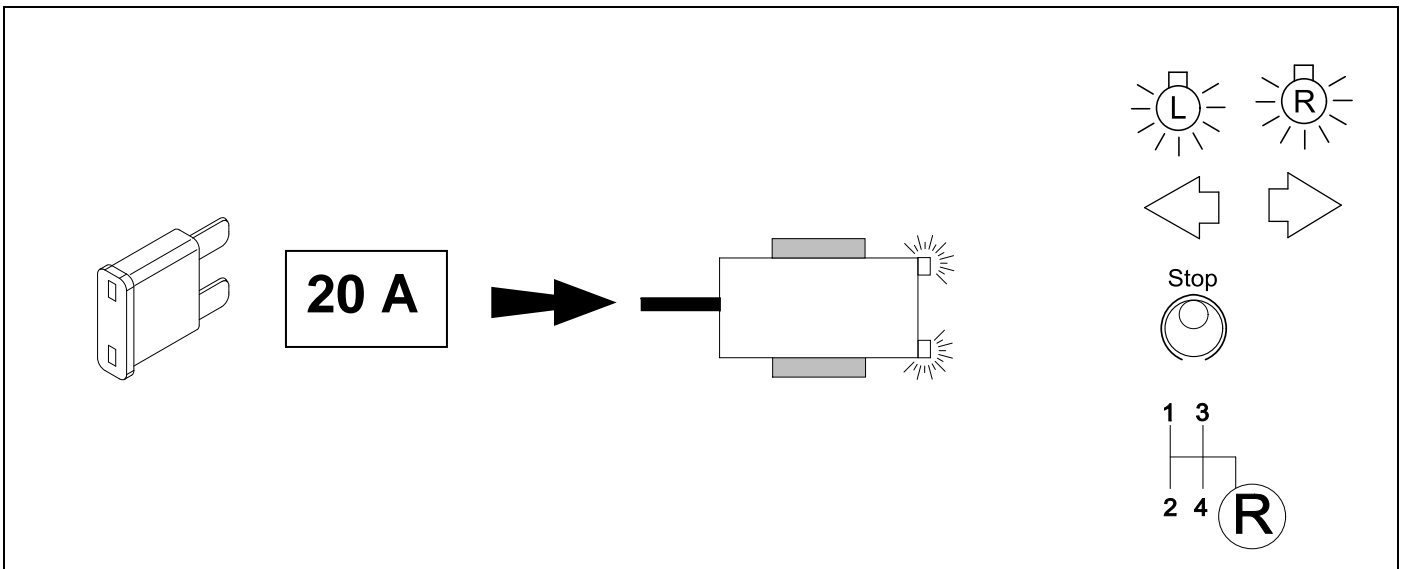
39

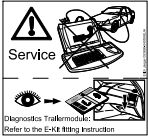
CHECK BULB OUT DETECTION



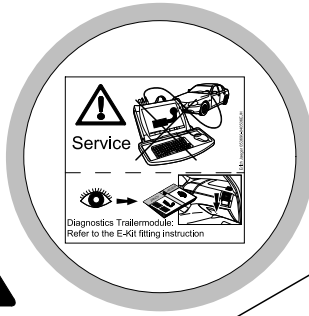
40

👁️ ⇒ 30

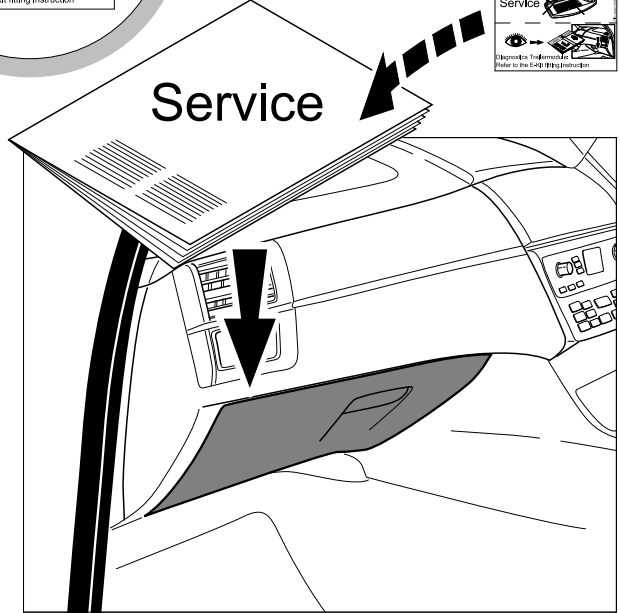
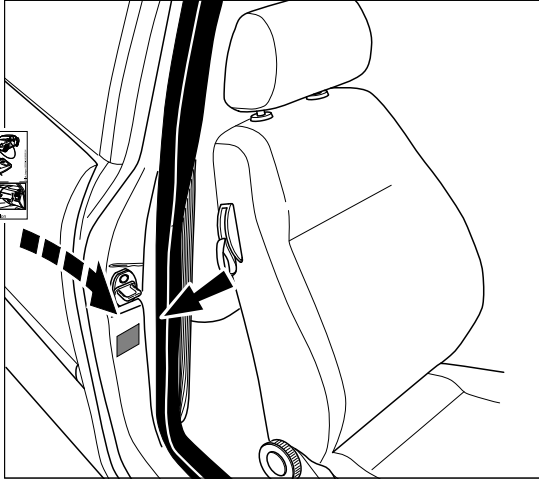




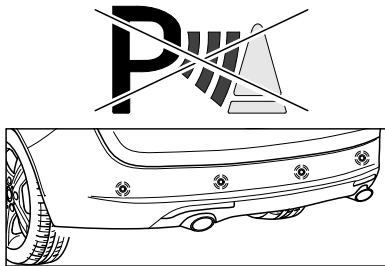
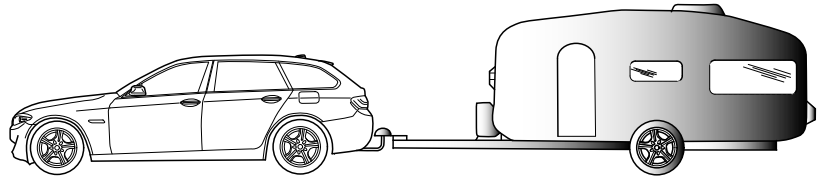
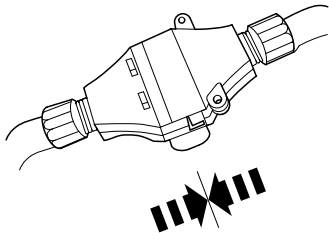
2x 12



Service



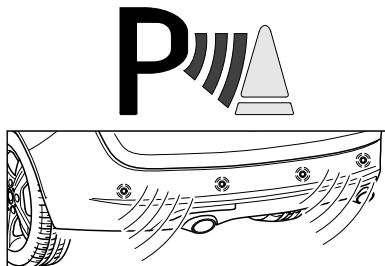
If the PDC does not automatically deactivate, coding and initialization of the module might be required.



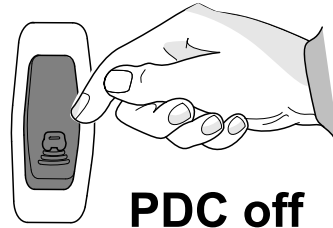
OPTION 1



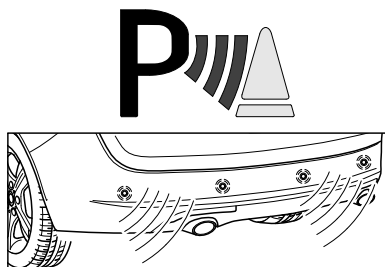
No Coding



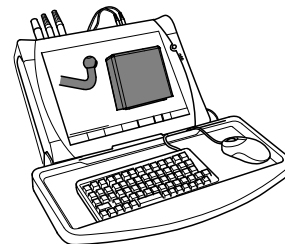
OPTION 2



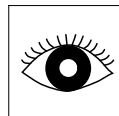
PDC off



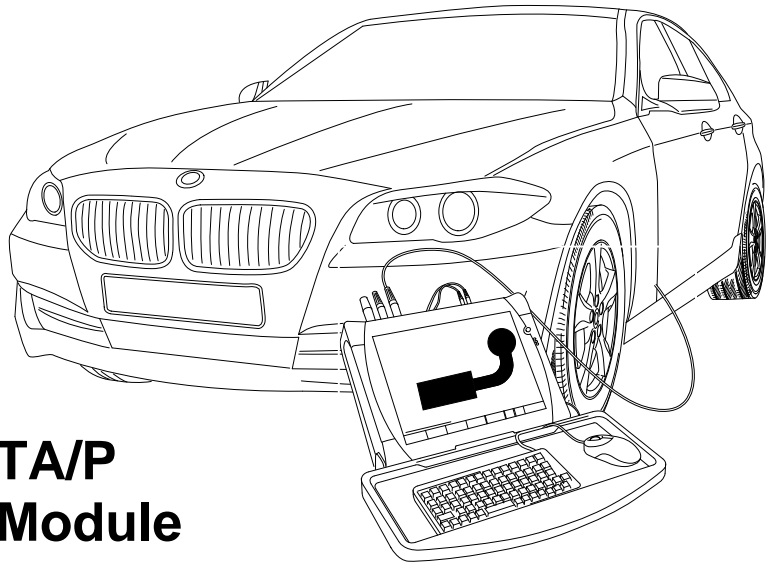
OPTION 3



BMW Service ISTA/P
Initialize Trailer Module



43



BMW Service ISTA/P Initialize Trailer Module

GB

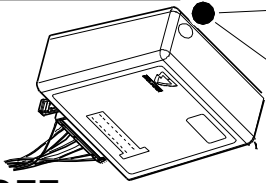
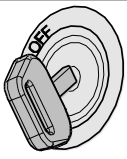
Please effect coding as follows:

- Connect computer to vehicle
- Start ISTA/P
- Click "Modification / Upgrades"
- Scan Action plan
- Click „Coding (Ethernet)“
- Scan Action program follow-up
- Final report checking

After the effected connection, the rear park assist system will also automatically be deactivated in trailer operation!

Status LED for self-diagnosis

Operation Support



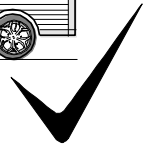
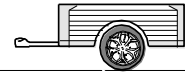
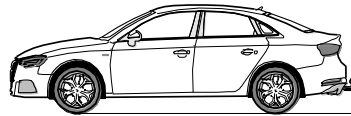
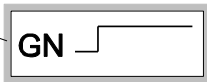
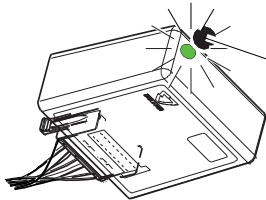
No CAN-Data =



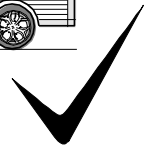
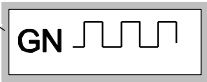
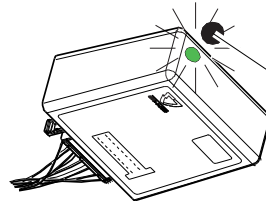
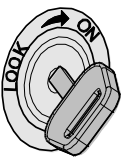
Standby / Sleepmode



Ignition OFF



Ignition ON



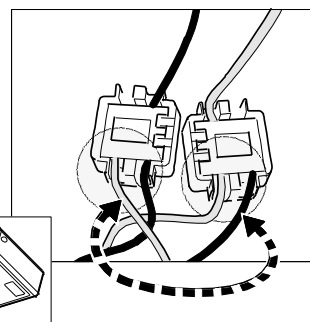
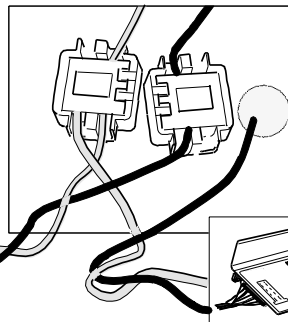
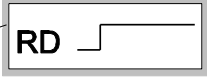
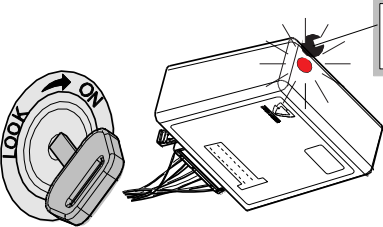
Ignition ON

Failure Support

CAN-Data Wire

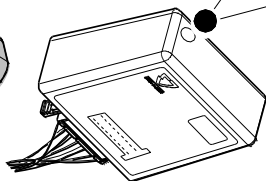
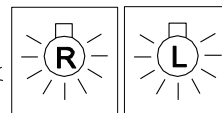


1x max. 5 min.

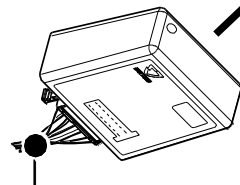
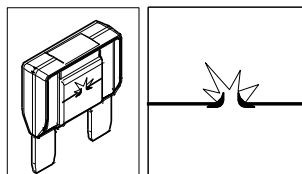
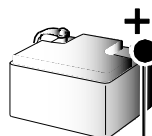
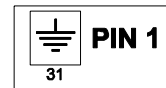


Ignition ON

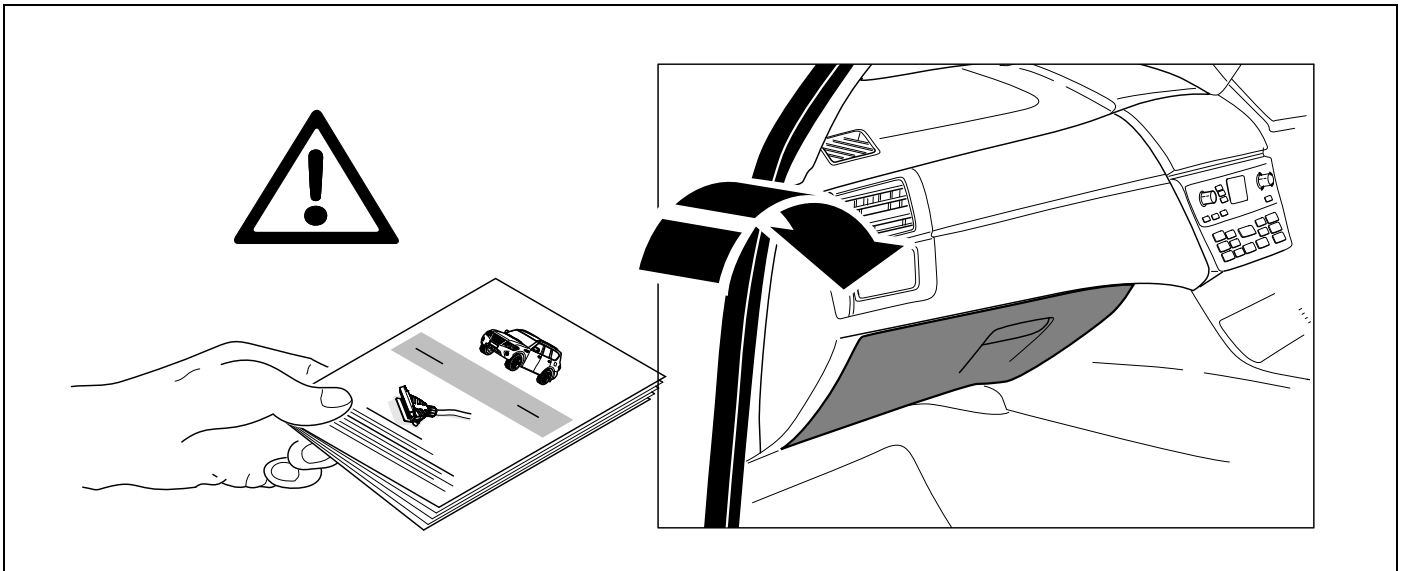
Failure indicated by the module LED glowing red for a maximum of 5 minutes. If trailer connected the tail lights will also glow indicating failure of CAN signal.



or



Ignition ON



Subject to change in terms of construction, equipment and colour, and may contain errors.

The information and illustrations are non-binding.