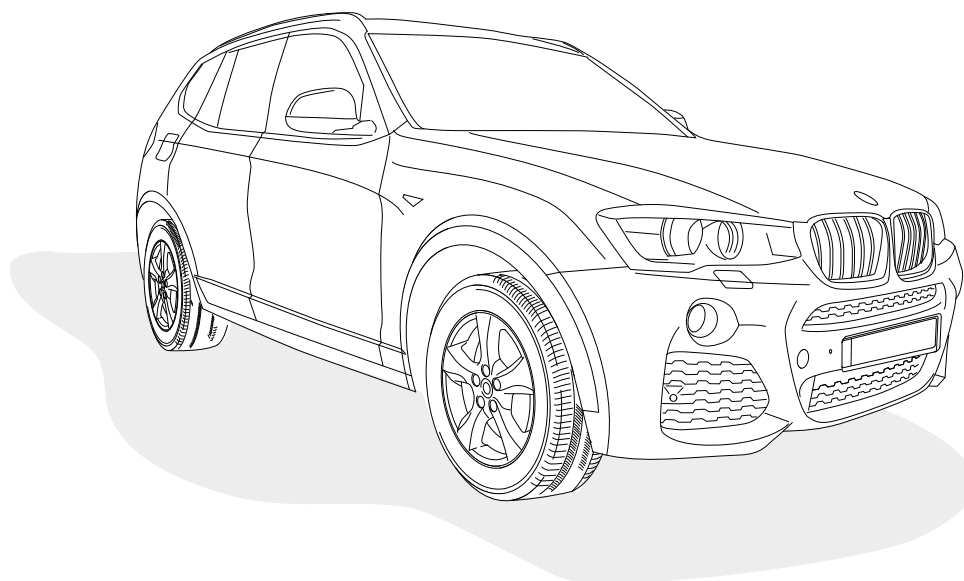




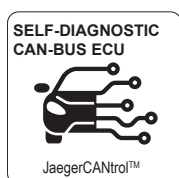
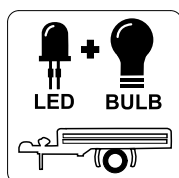
ERICH JAEGER



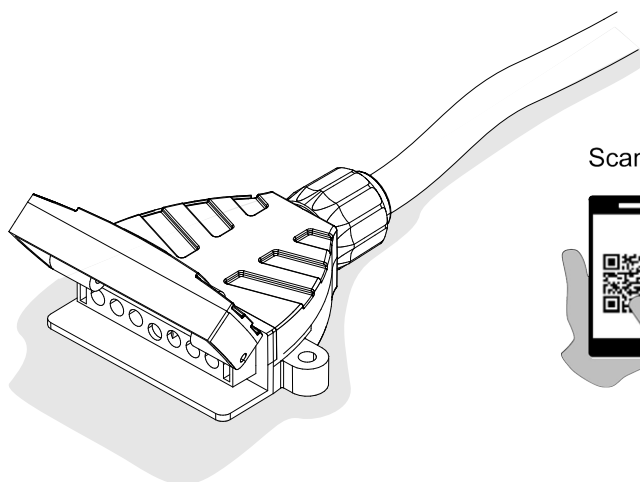
**BMW X3**

**F25**

**11/10 >> 02/14**



**750018**



Scan this for our full E-Kit catalogue



## Installation instructions

### Reference:

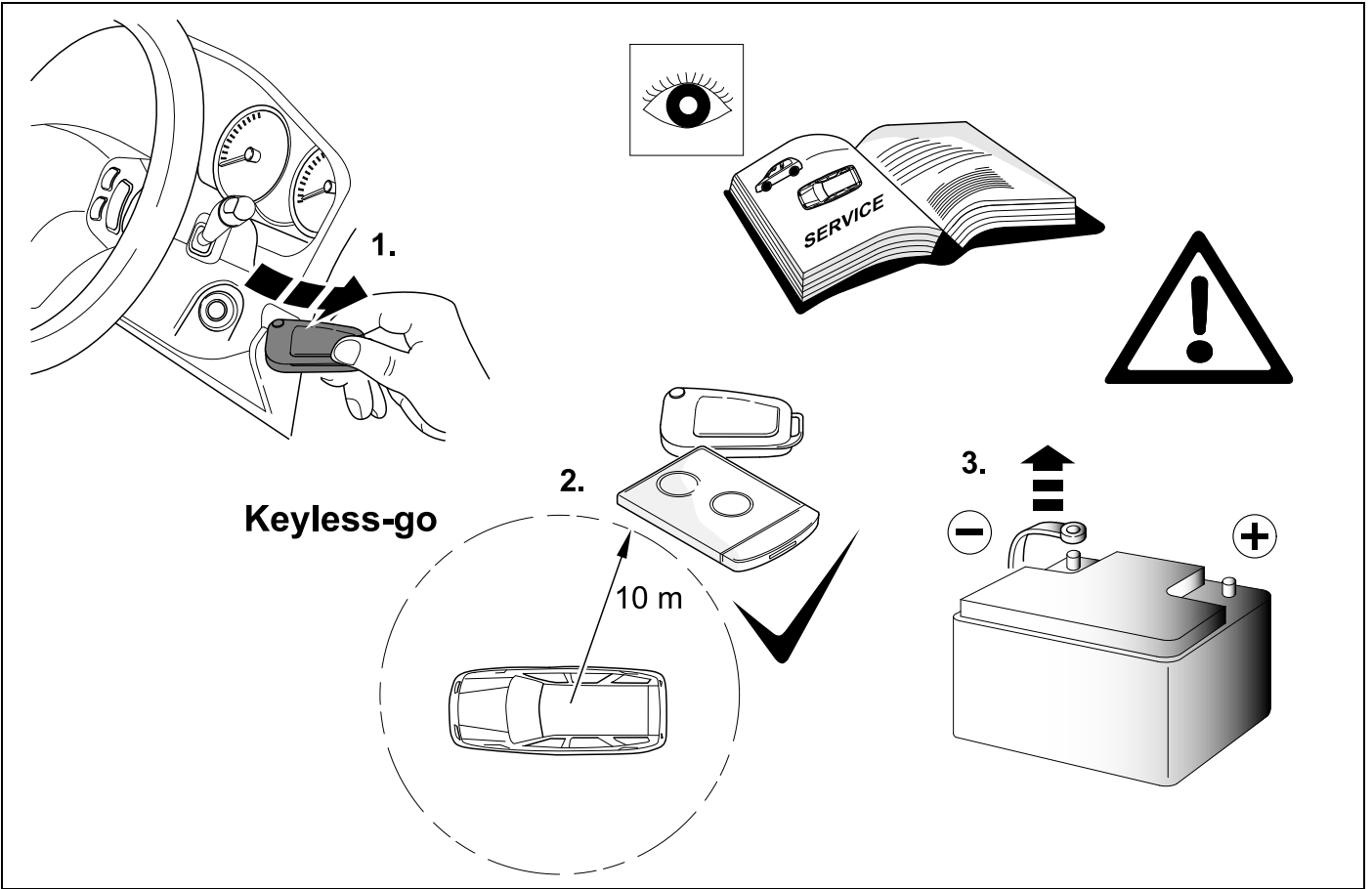
The following information must be reviewed before beginning the assembly:

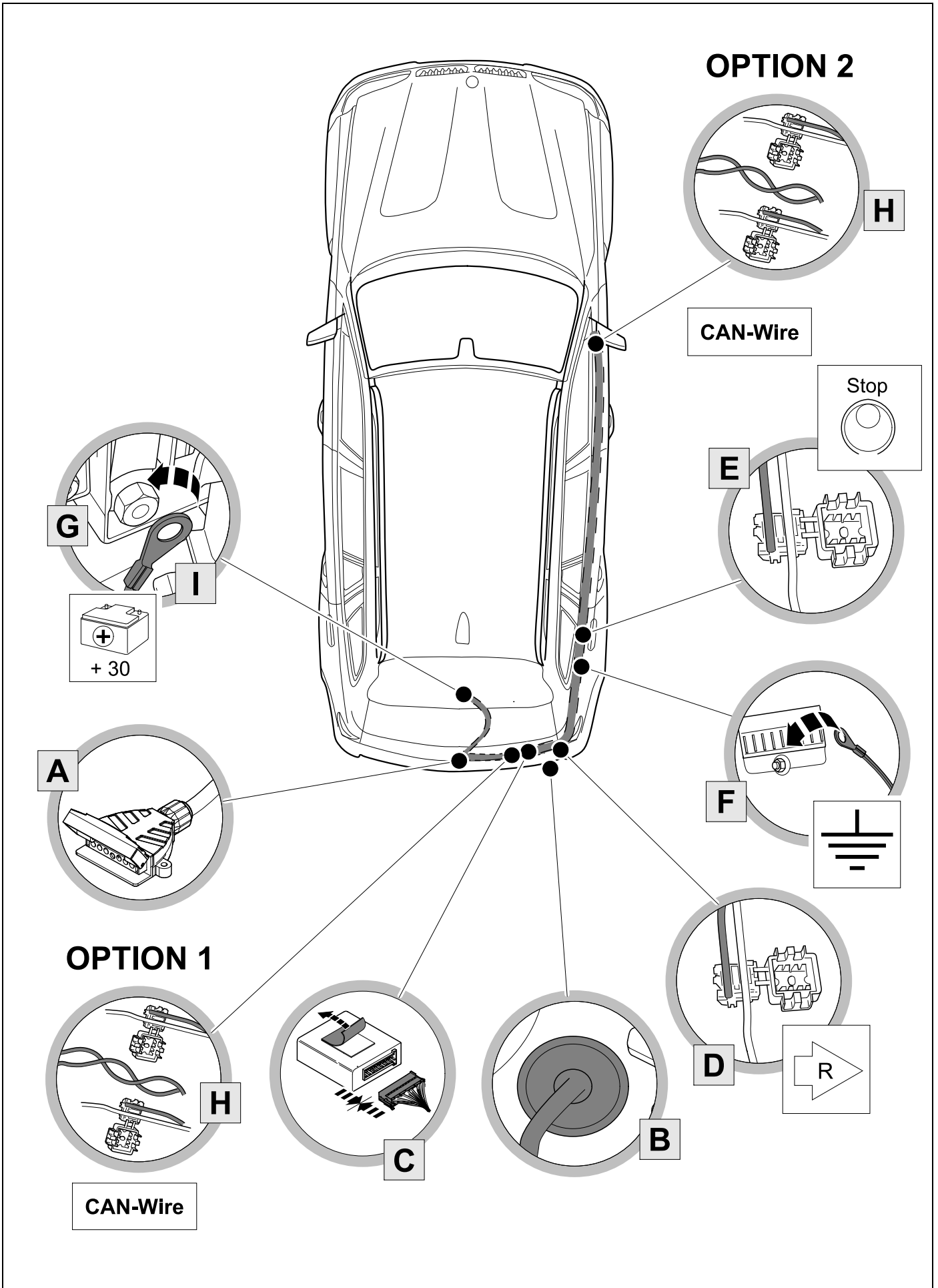


The installation instructions are to be thoroughly read.  
The installation should be carried out by qualified personnel with the relevant technical knowledge.  
The vehicle manufacturers' current technical notices and information on retrofitting must be followed.  
The removal and replacement instructions found in the current repair manuals must be followed.  
It must be ensured that the vehicle is technically suitable for the installation of a trailer hitch.

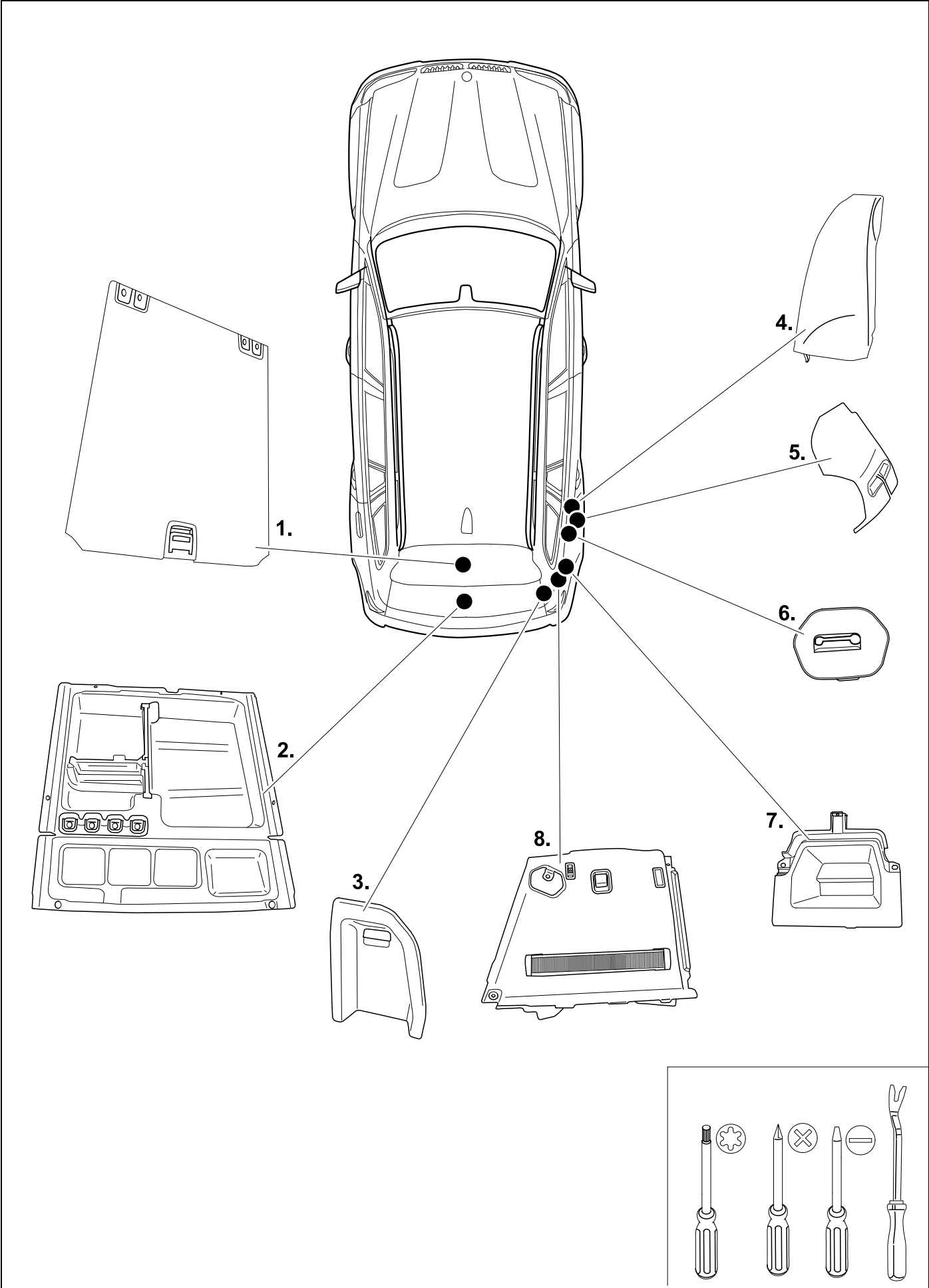


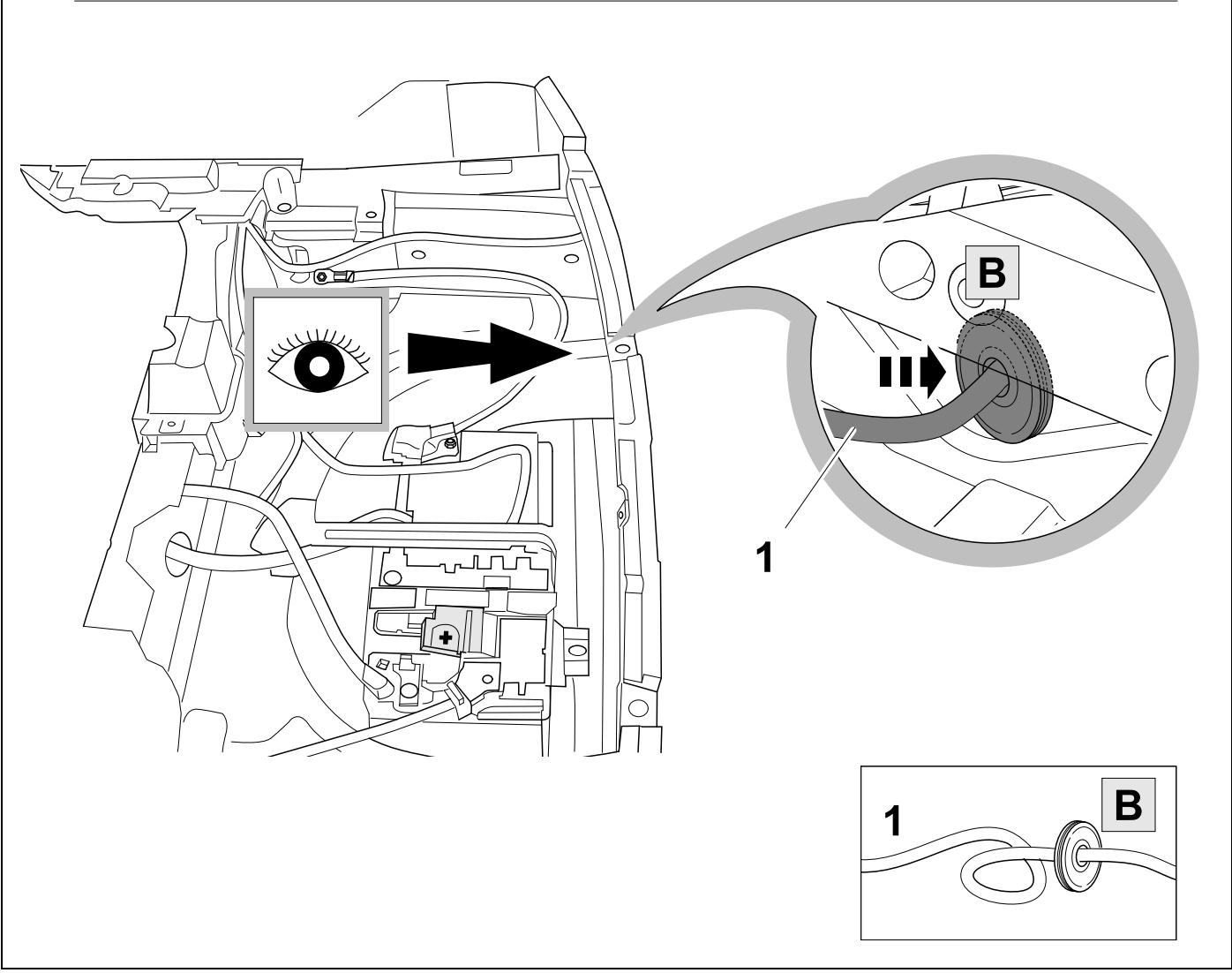
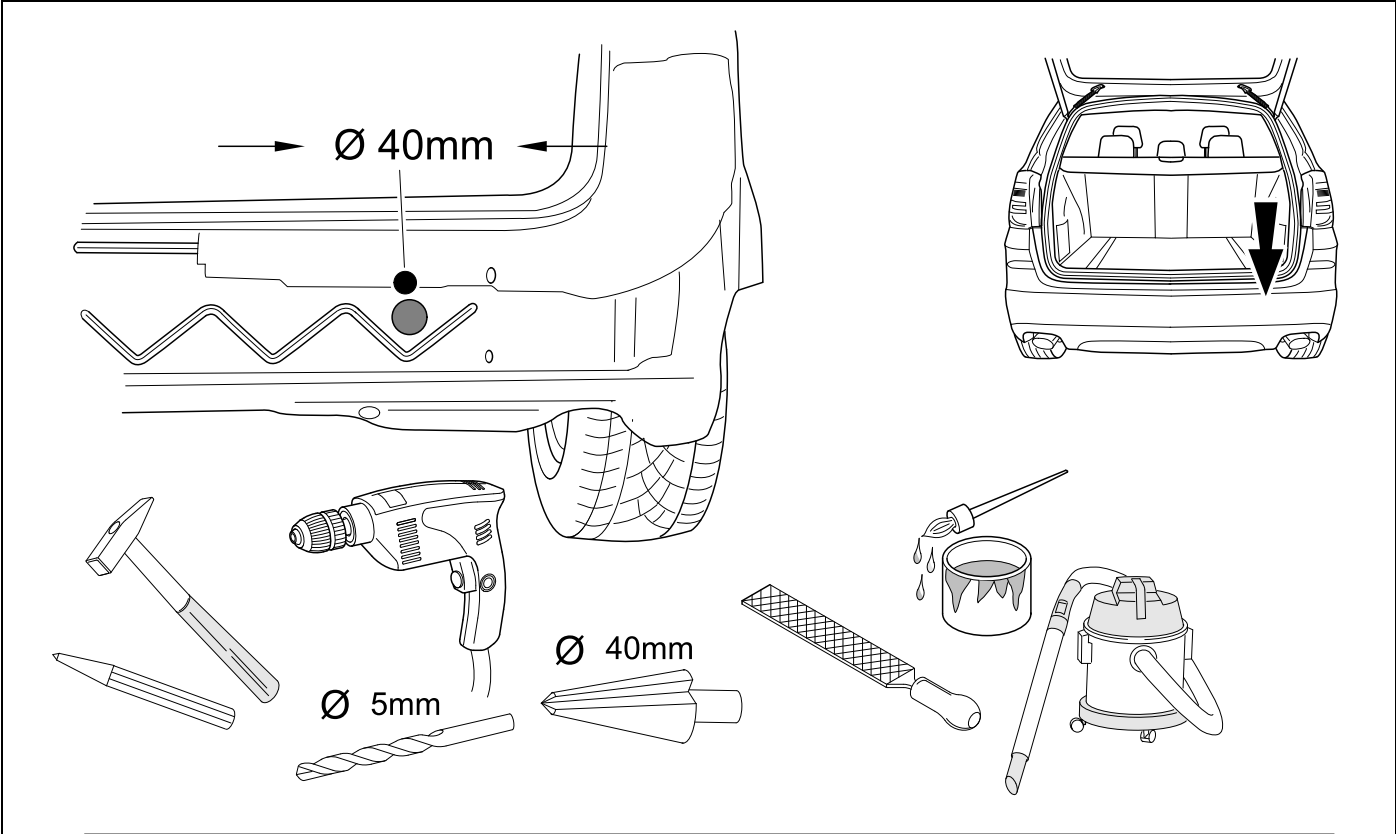
1

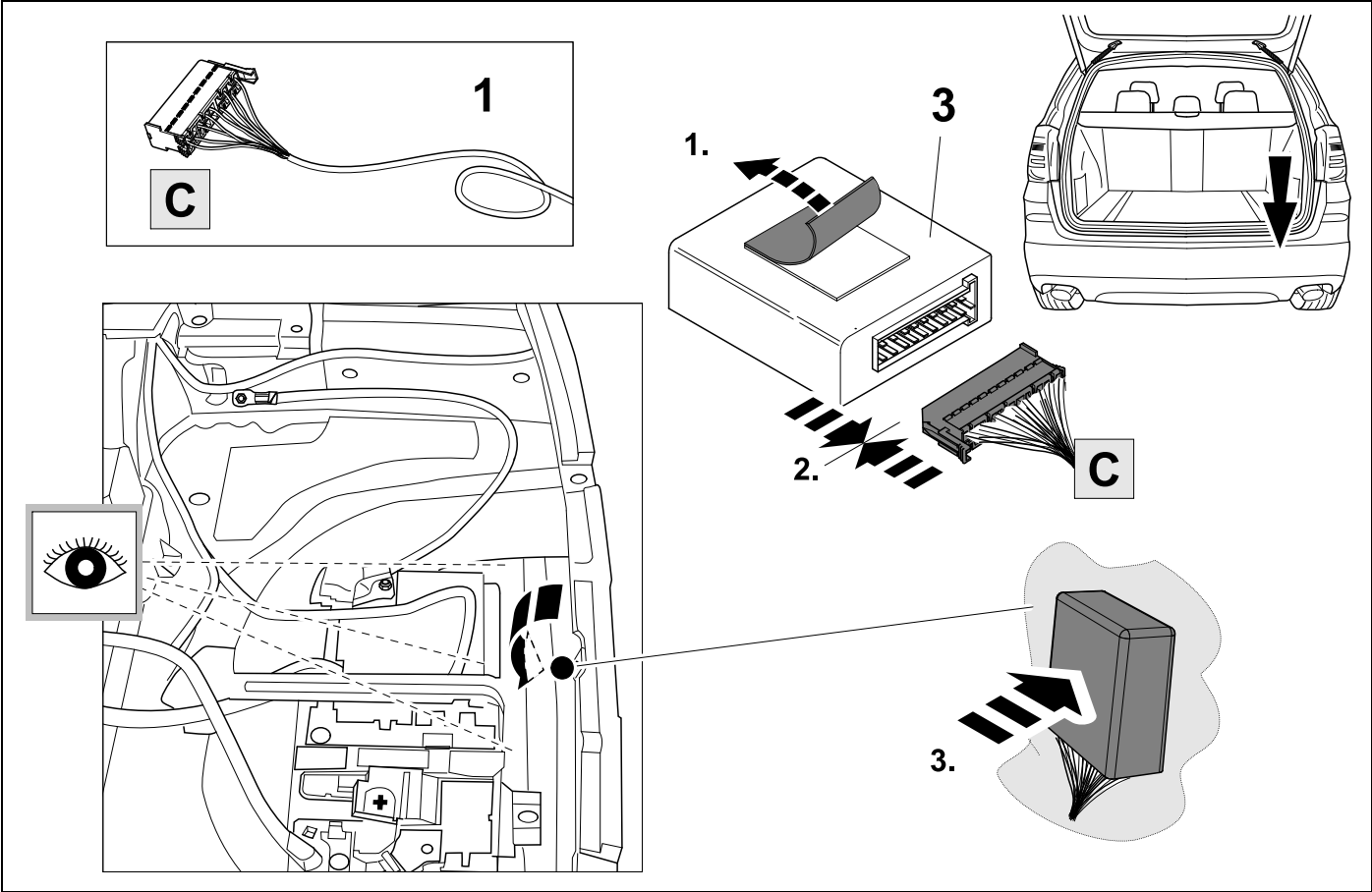


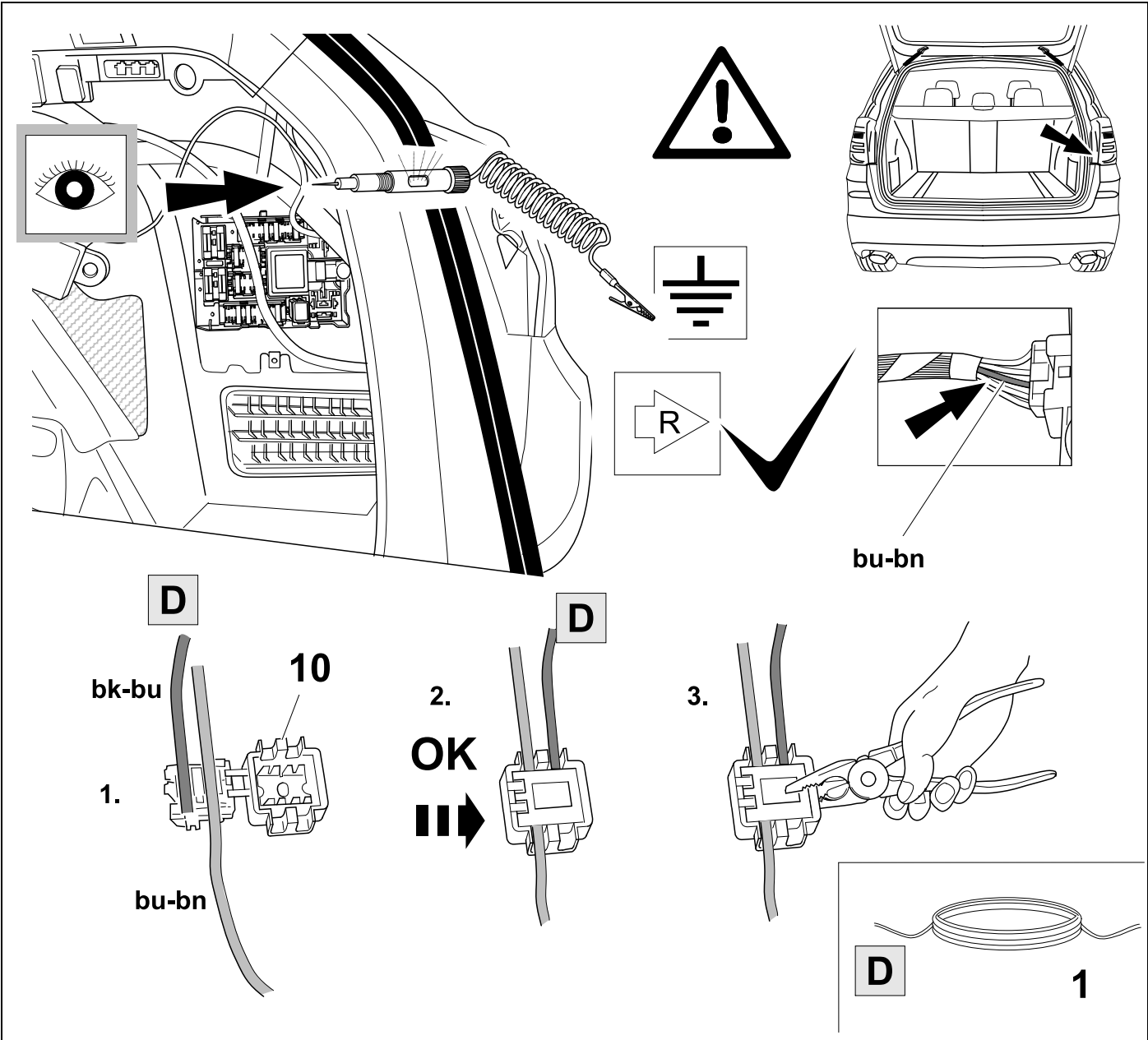


REMOVE







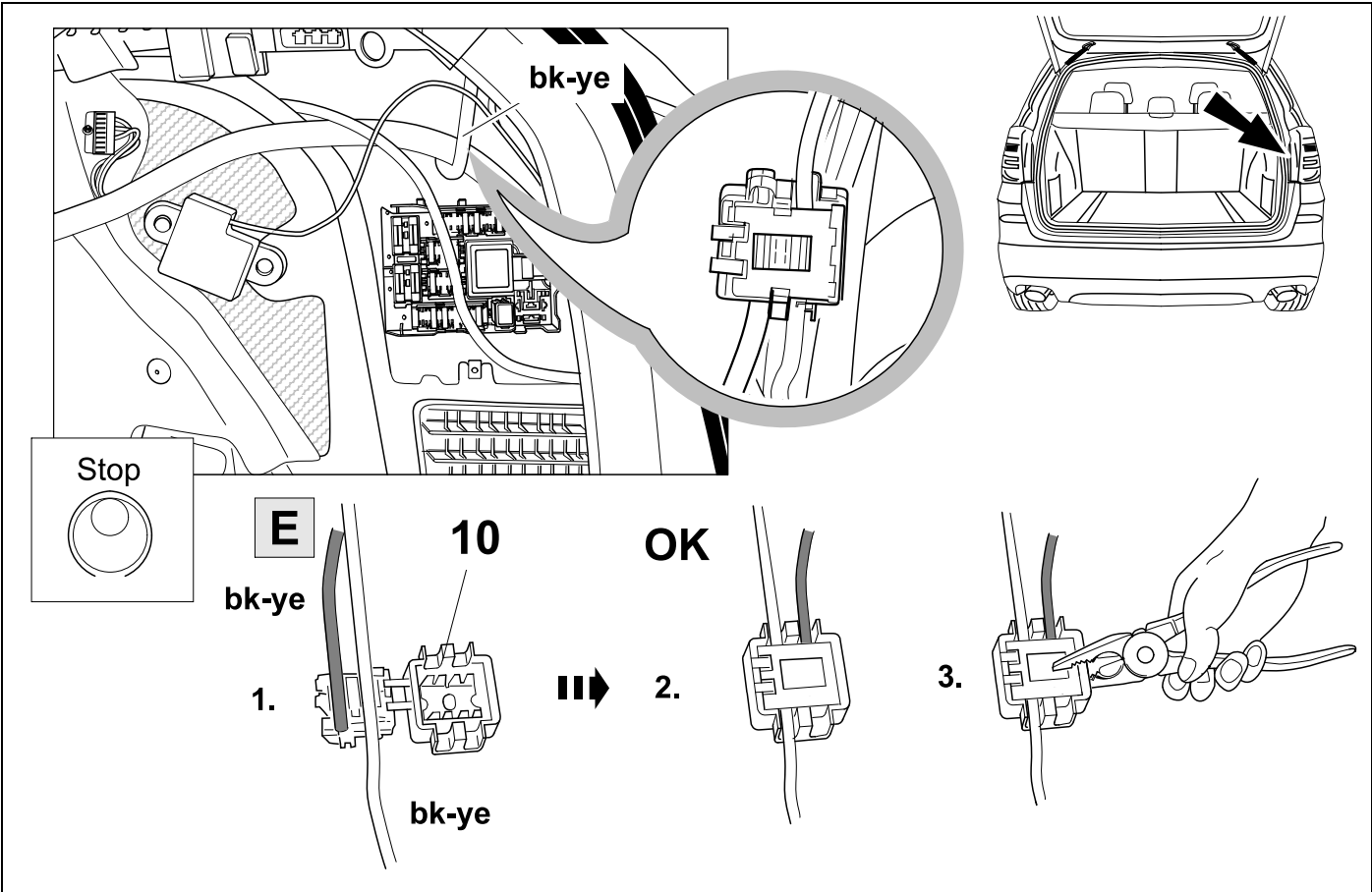




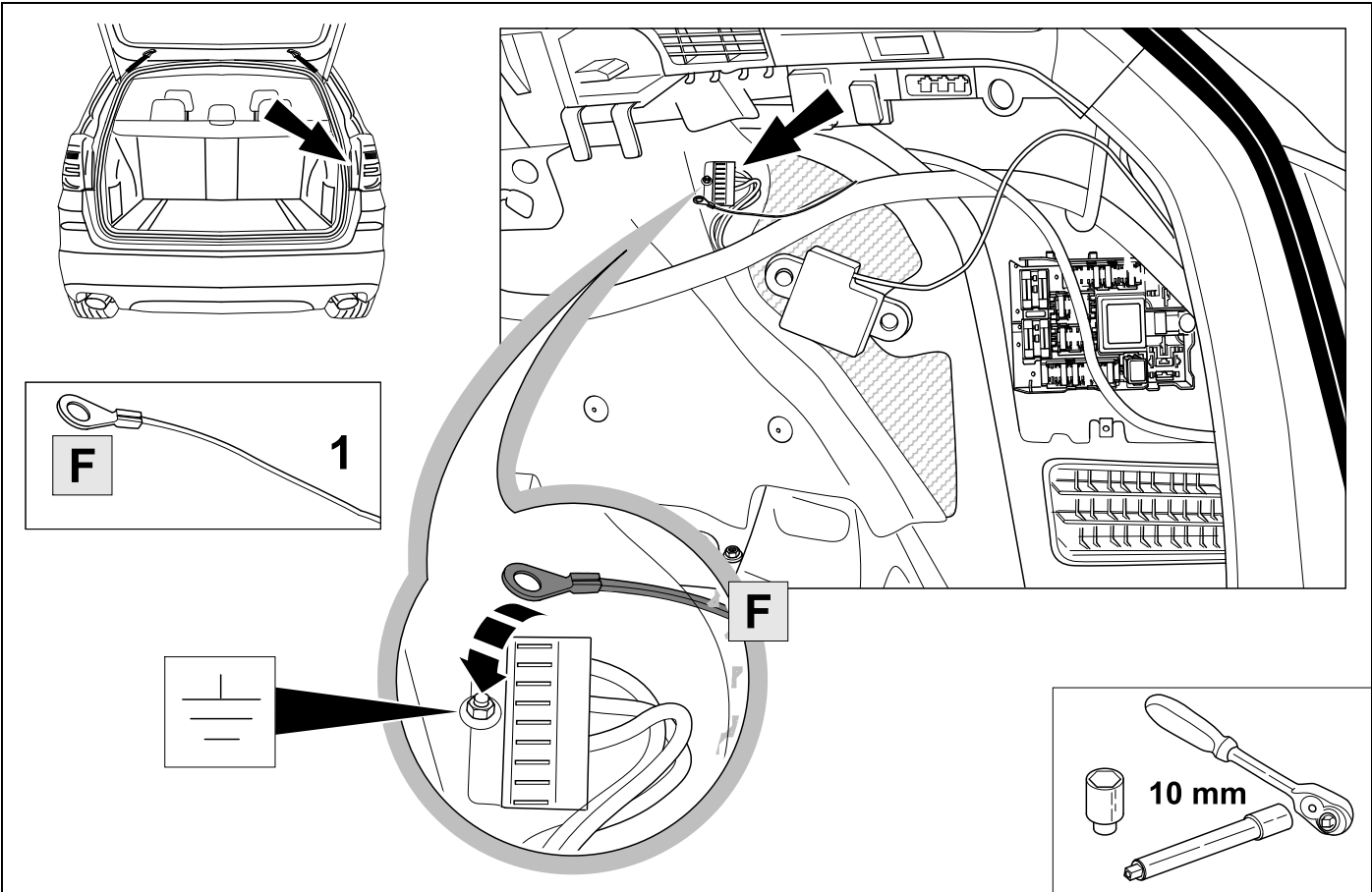
7



19



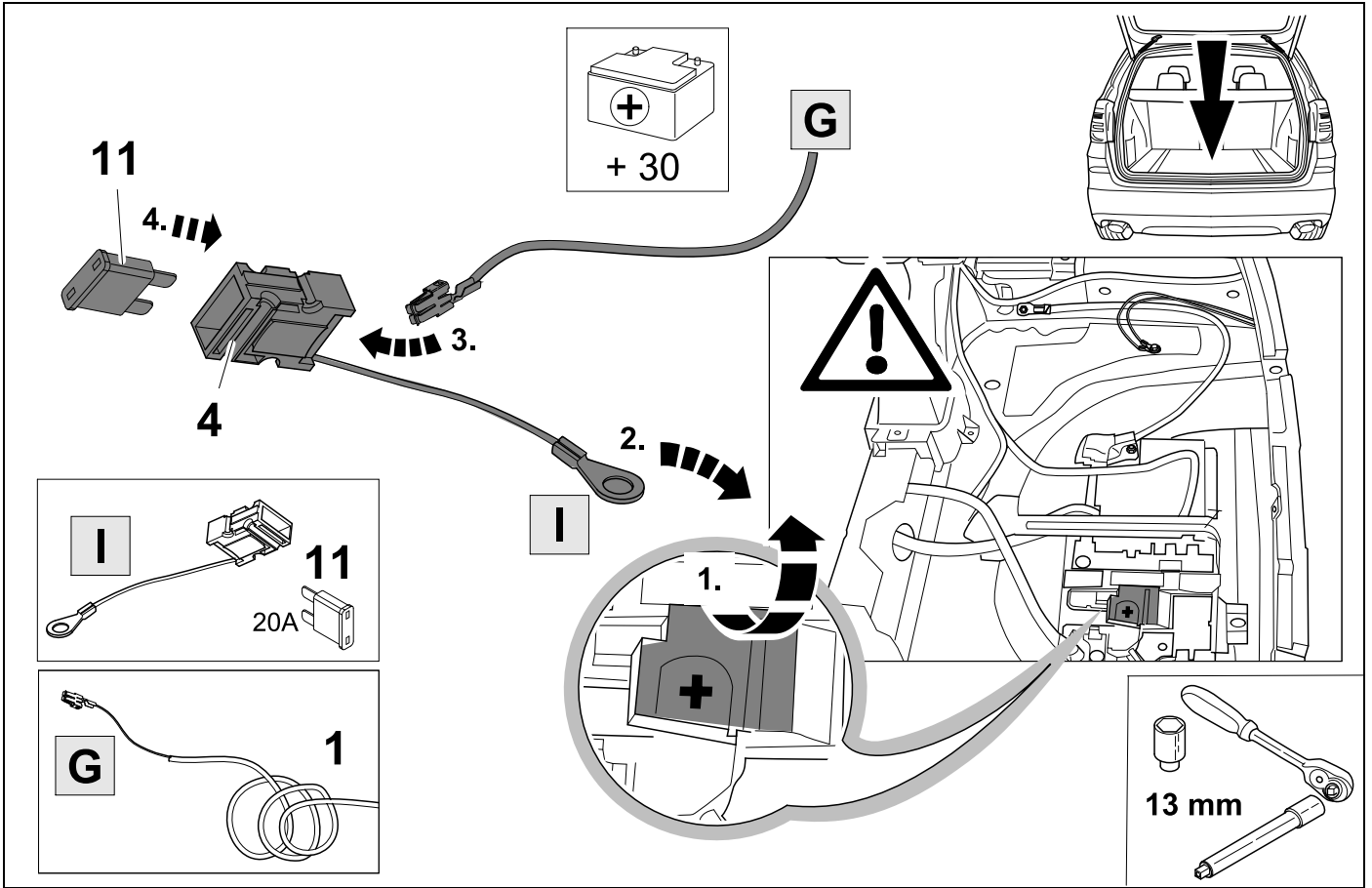
8



9



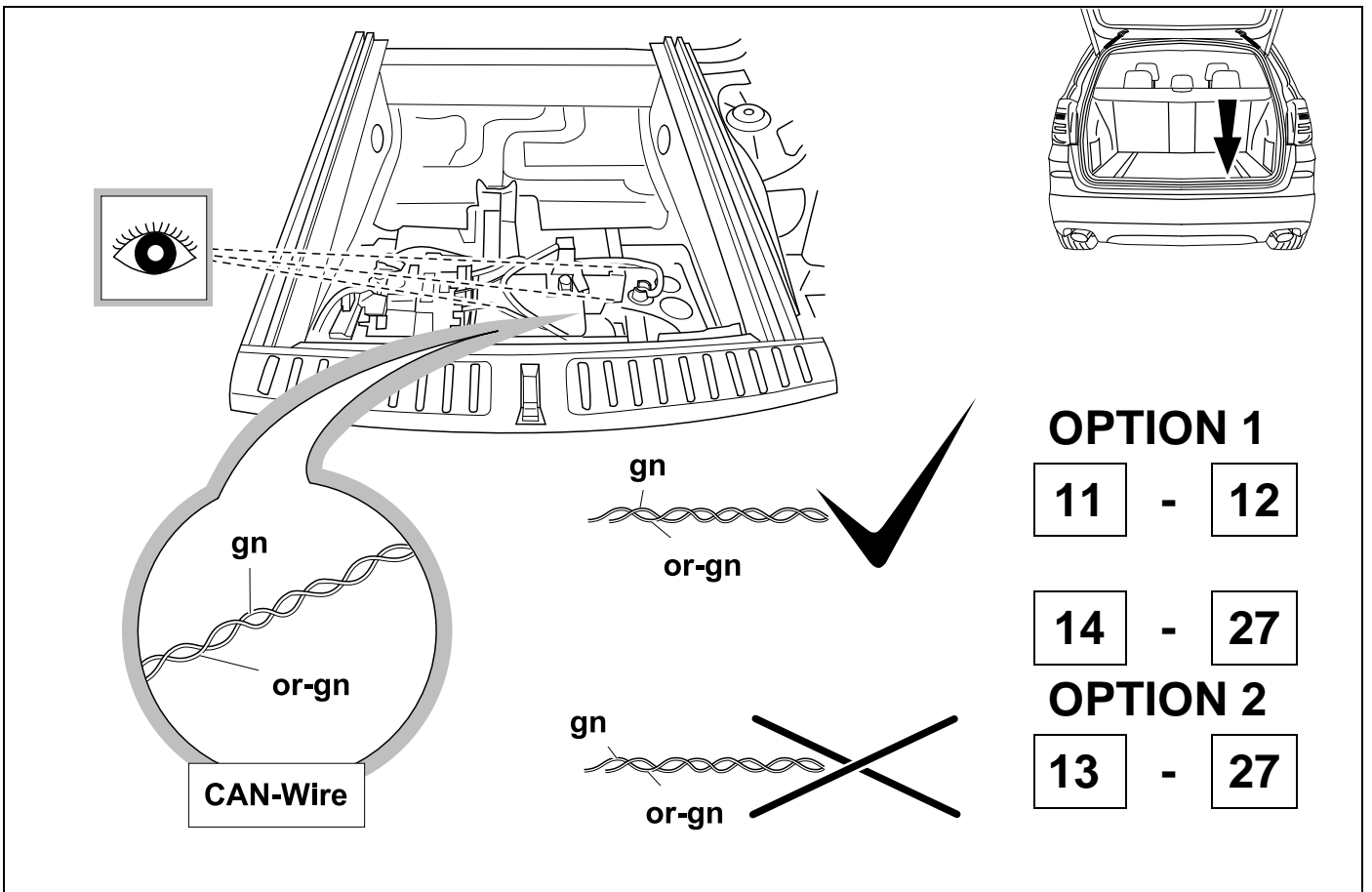
24



10



19

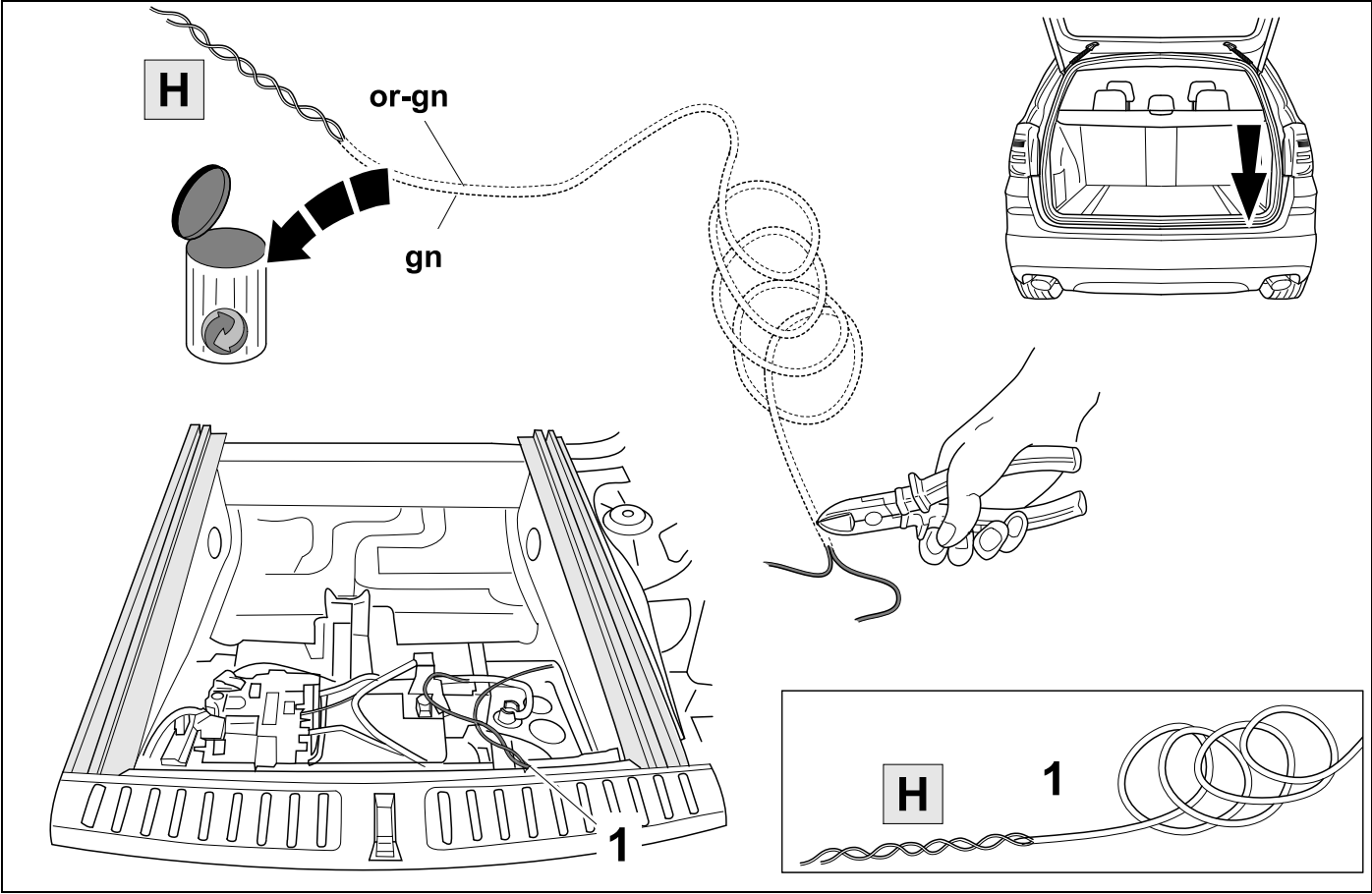


11

OPTION 1



19

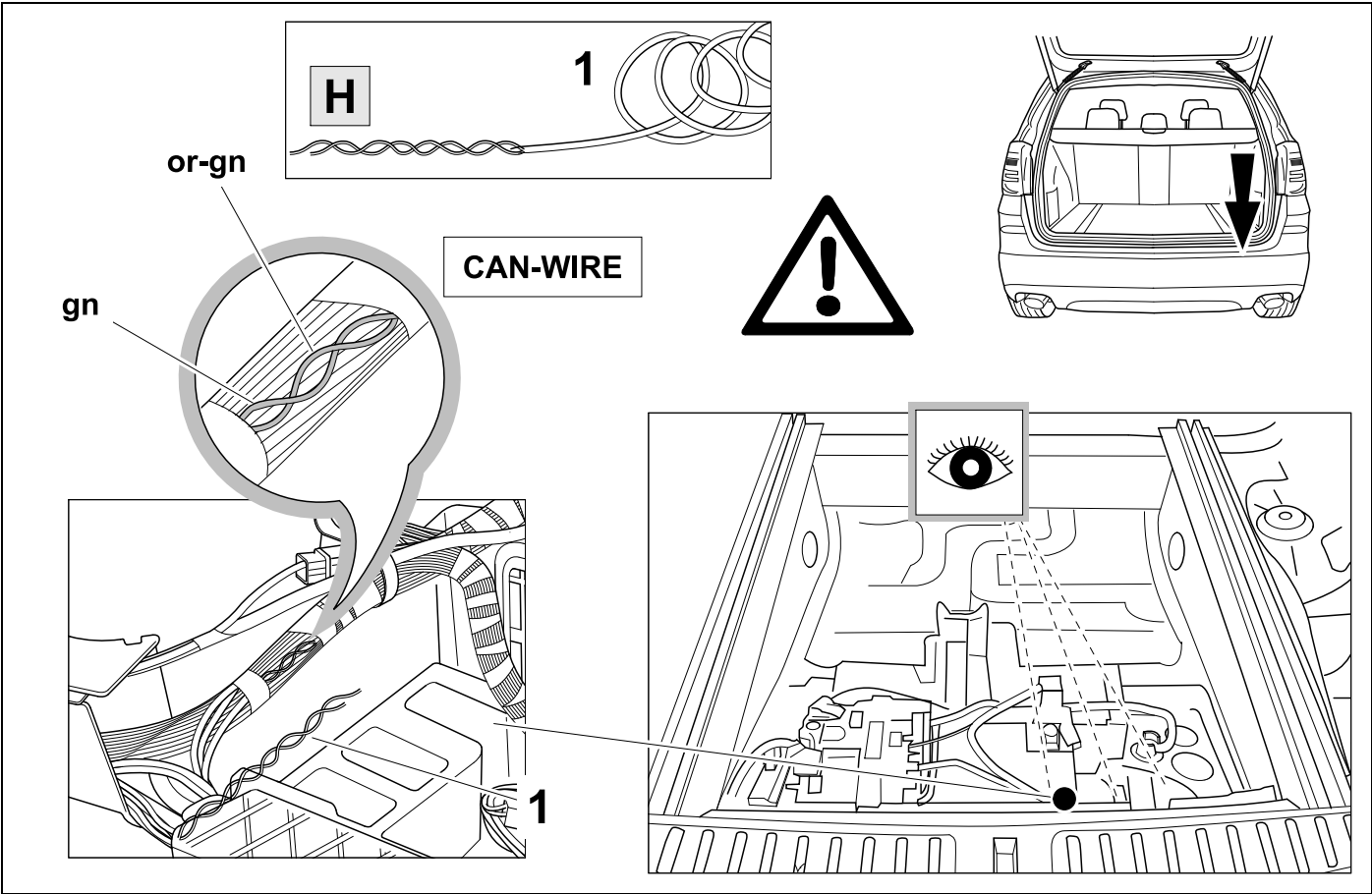


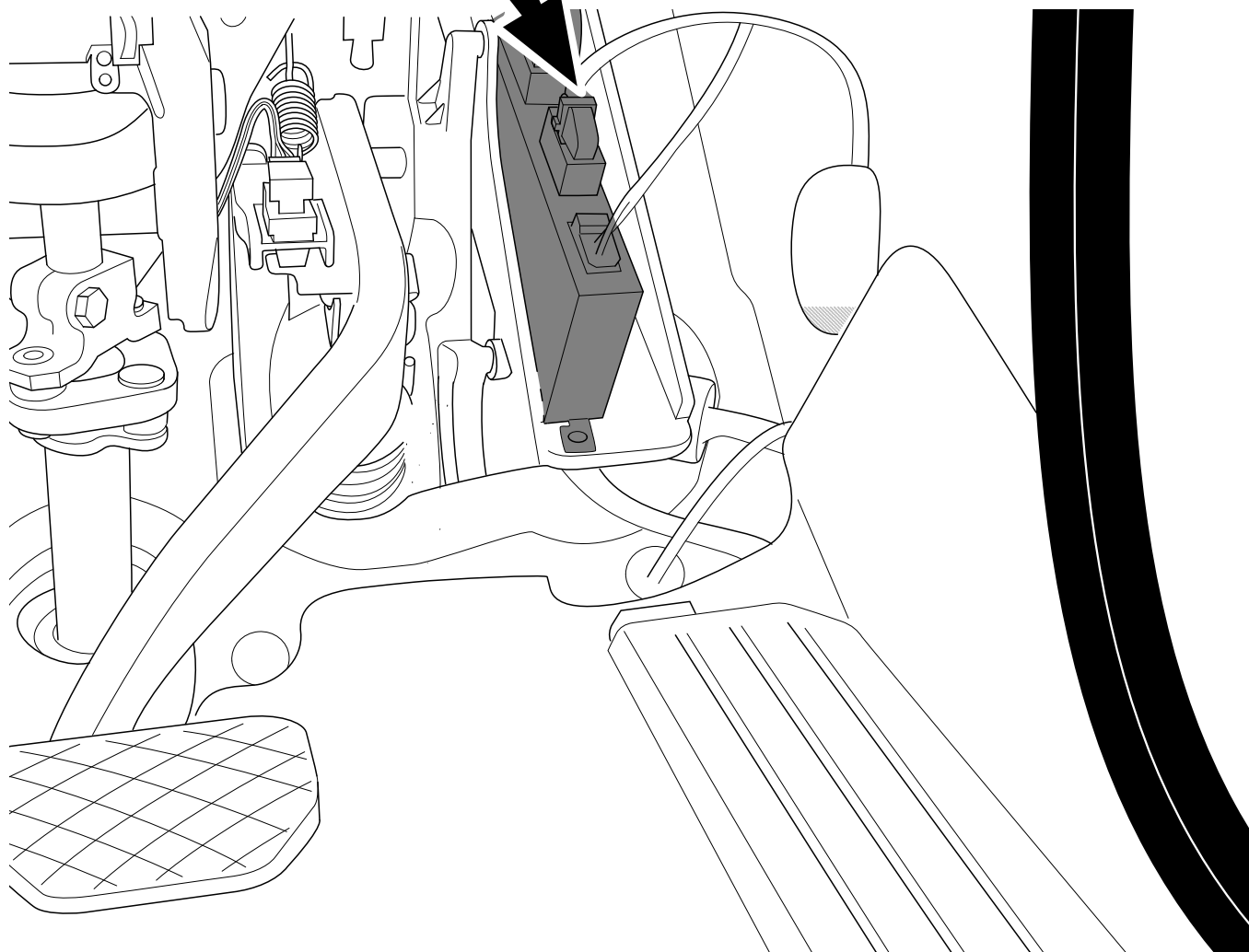
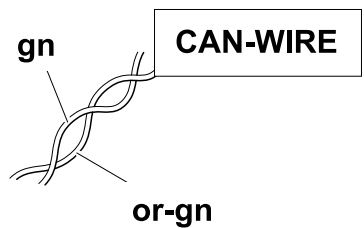
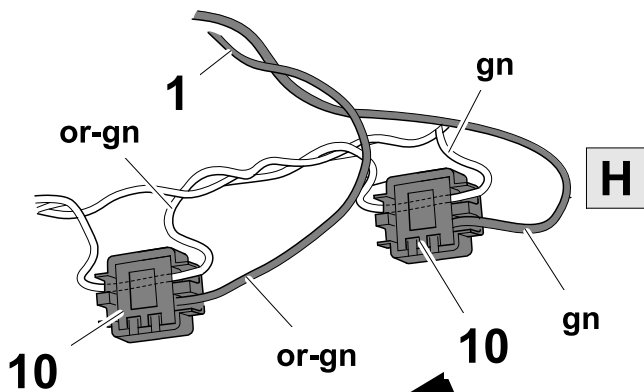
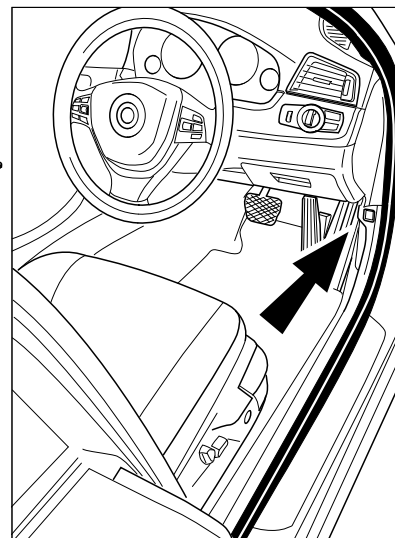
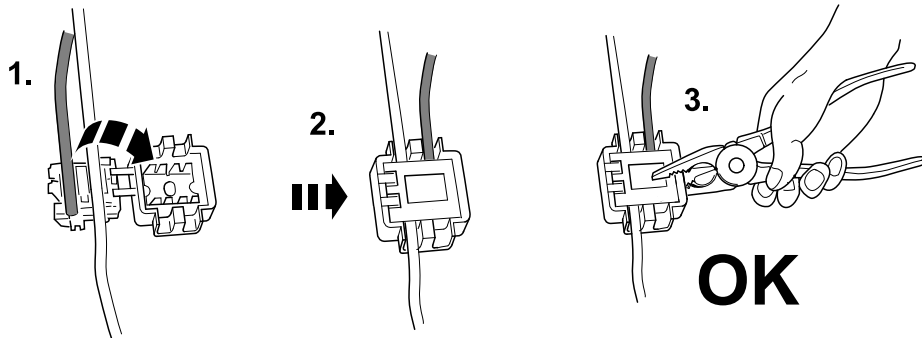
12

OPTION 1



19

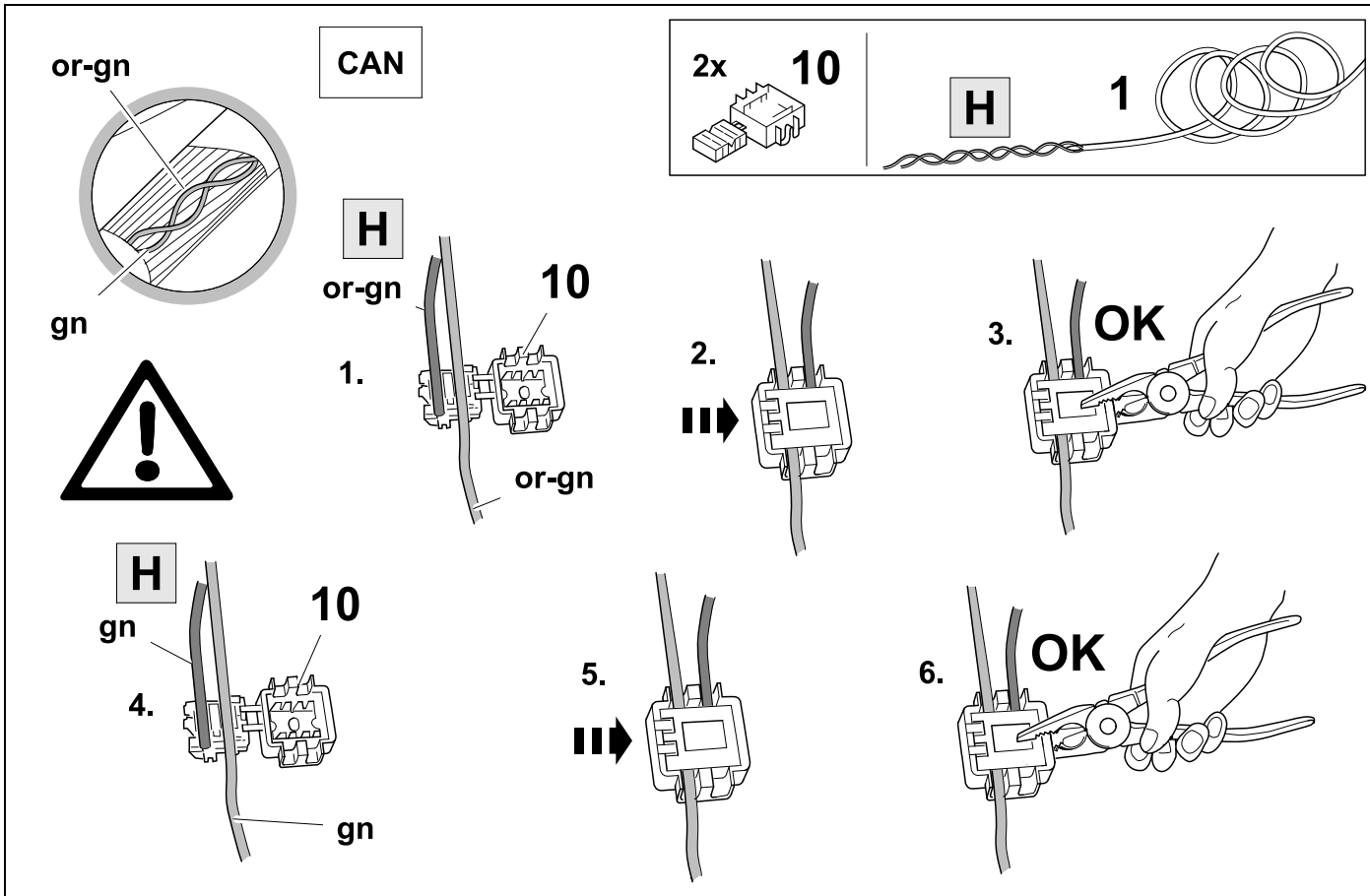




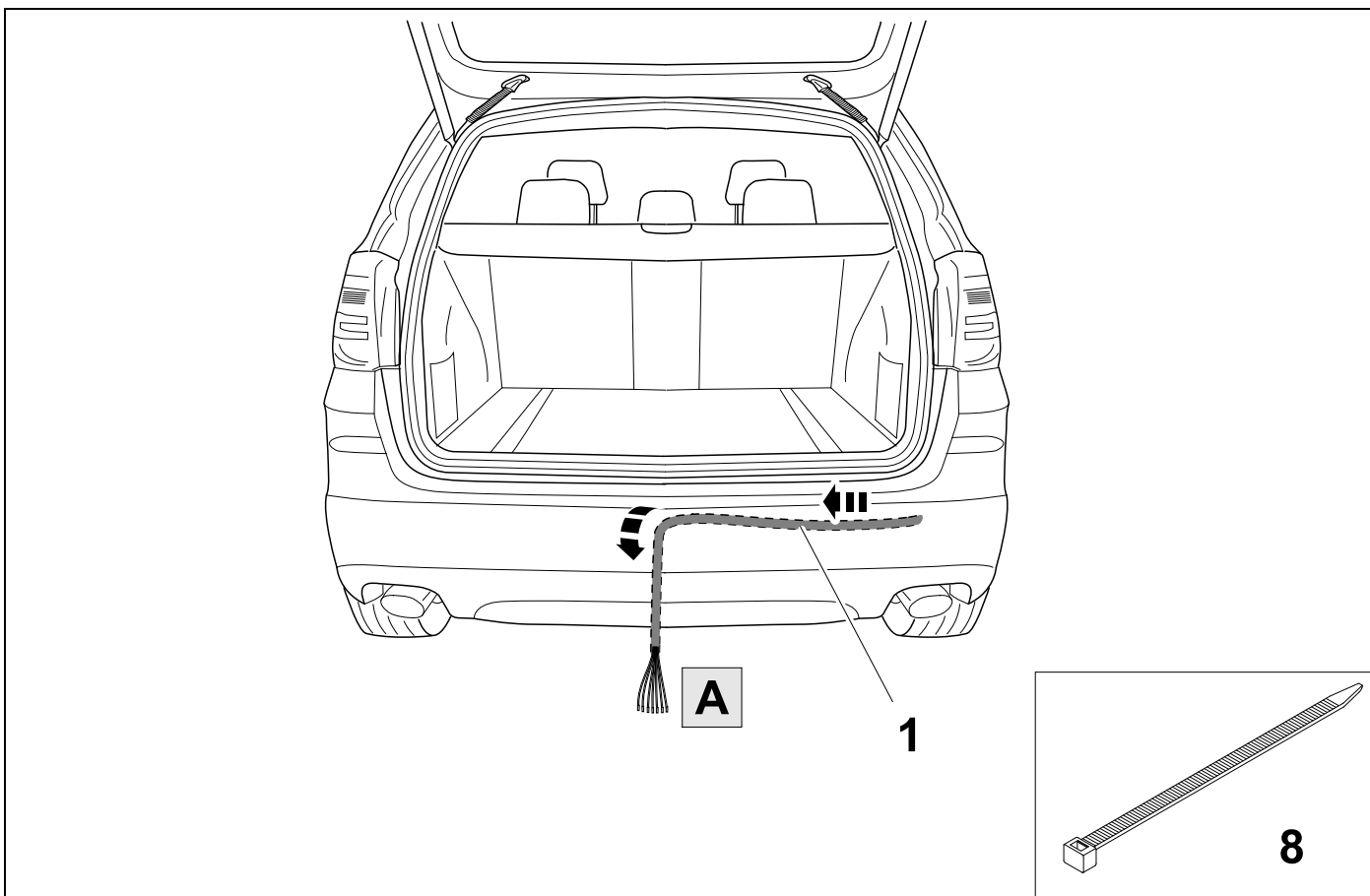
14



19



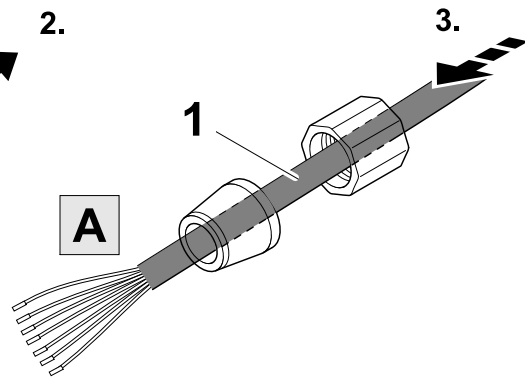
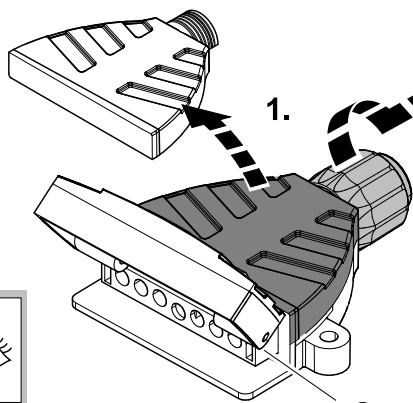
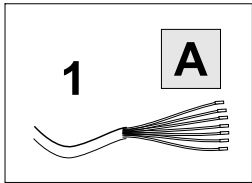
15



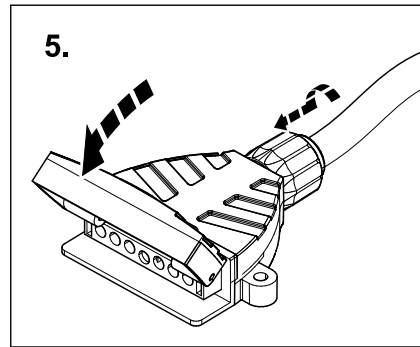
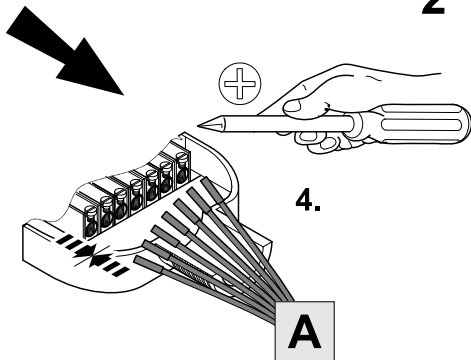
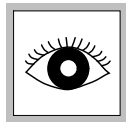
16



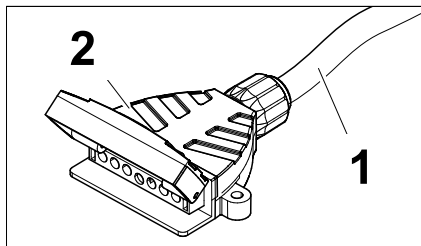
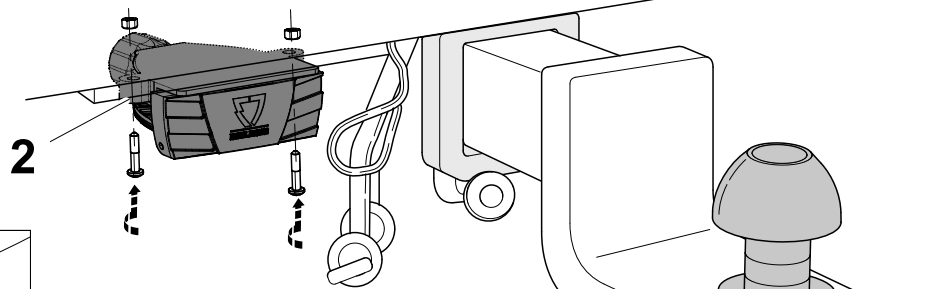
18



gn	4	
bn	7	
bk	2	
wh	3	
bu	5	
rd	6	
ye	1	



17



18

 ⇒ 19

1	ye	
2	bk	
3	wh	
4	gn	
5	bu	
6	rd	
7	bn	

19	bk	wh	gy	gn	rd	bu	ye	bn	pu	or	no
----	----	----	----	----	----	----	----	----	----	----	----

	black	white	grey	green	red	blue	yellow	brown	purple	orange	not occupied
---	-------	-------	------	-------	-----	------	--------	-------	--------	--------	--------------

### Trailer Brake Preparation

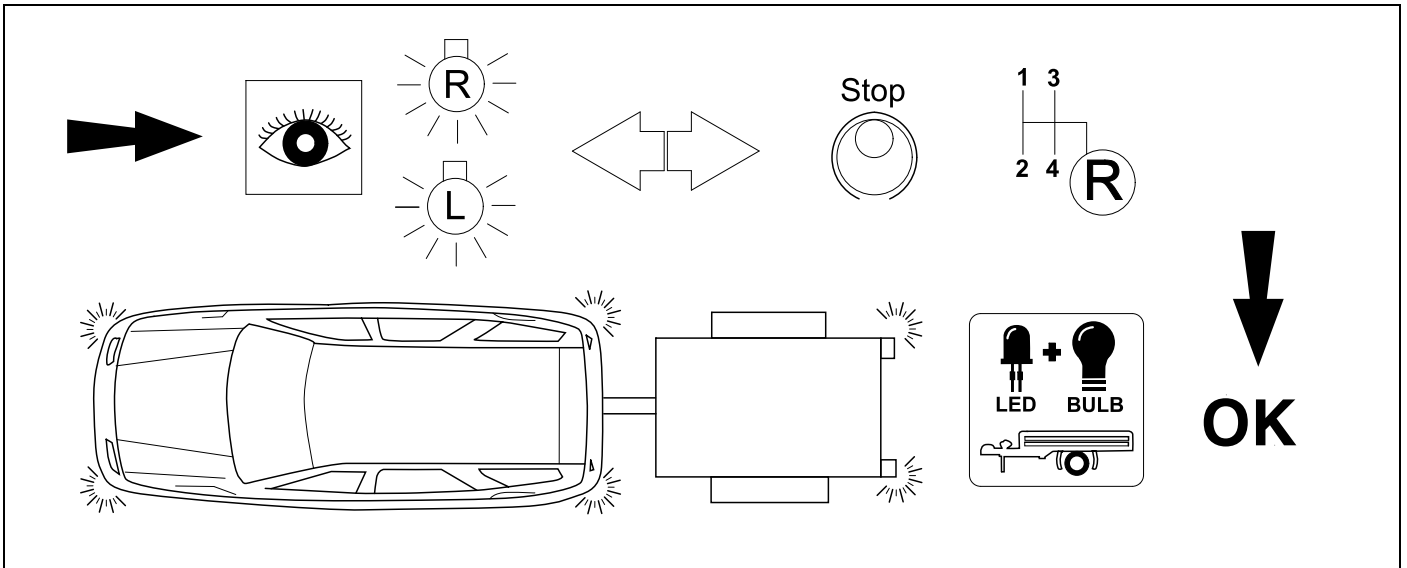
The diagram illustrates the steps for preparing a trailer brake controller. It includes a warning triangle with an exclamation mark. The main illustration shows a hand using pliers (1) to strip the insulation from a wire (6). The stripped wire is then inserted into a connector (5). A second wire (7) is also inserted into the connector. The connector is then inserted into a larger housing (5). Labels 'bu' and 'rd' identify the brake unit and red wire respectively. A separate inset shows a connector (1) being inserted into a housing (J). Another inset shows a connector (J) being inserted into a housing (5). A legend at the bottom left shows parts 5, 6, and 7. A 'BRAKE CONTROLLER PREPARED' icon with a truck and wheel is shown at the bottom right.

The diagram shows a battery with a negative terminal (-) and a positive terminal (+). A downward arrow points to the negative terminal. A warning triangle with an exclamation mark is shown below the battery. An eye icon is shown to the right of the battery. An open book labeled 'SERVICE' is shown to the right of the battery.



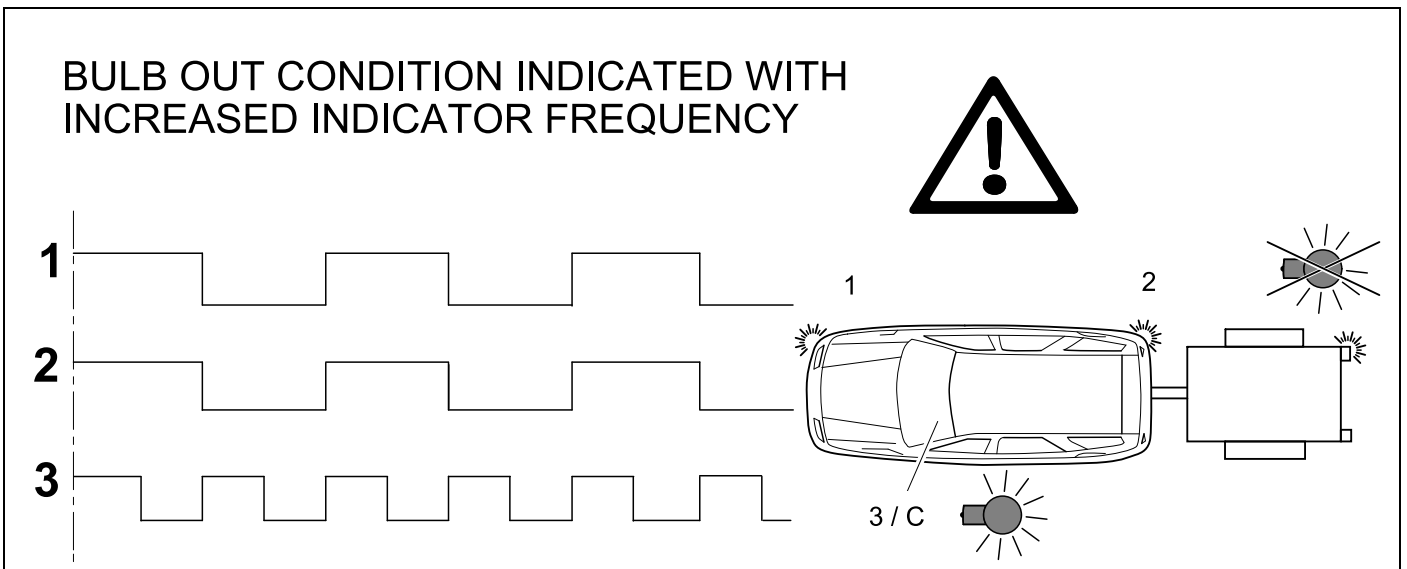
22

# CHECK ALL LIGHTING FUNCTIONS



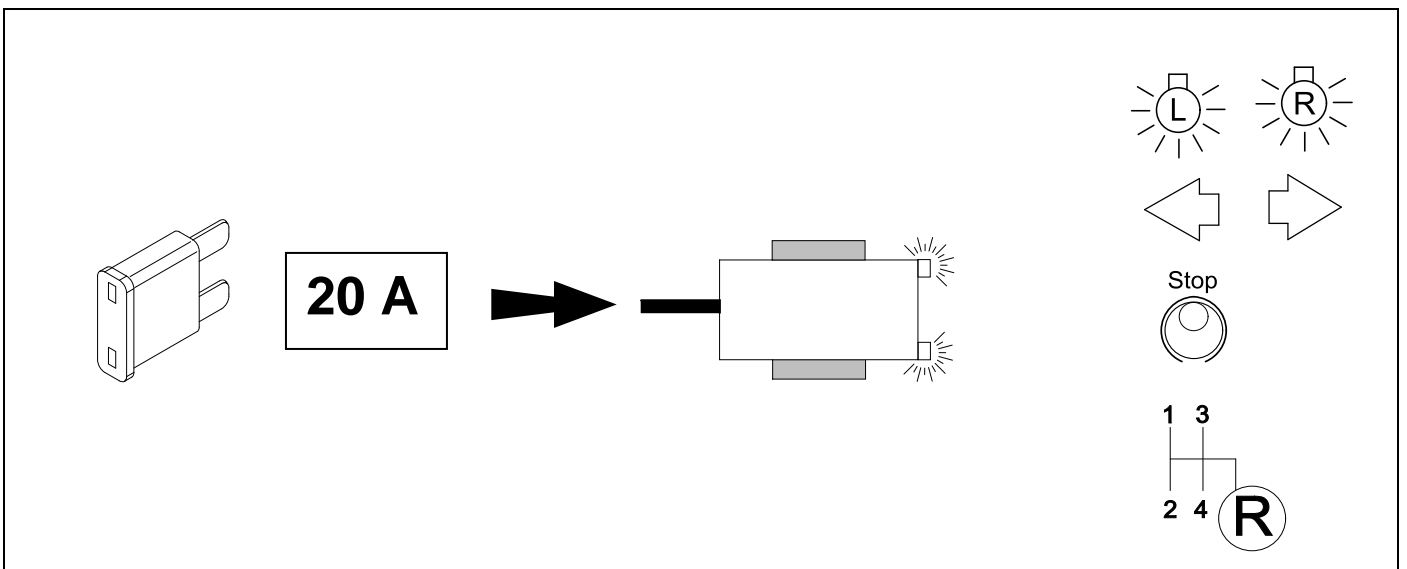
23

# CHECK BULB OUT DETECTION



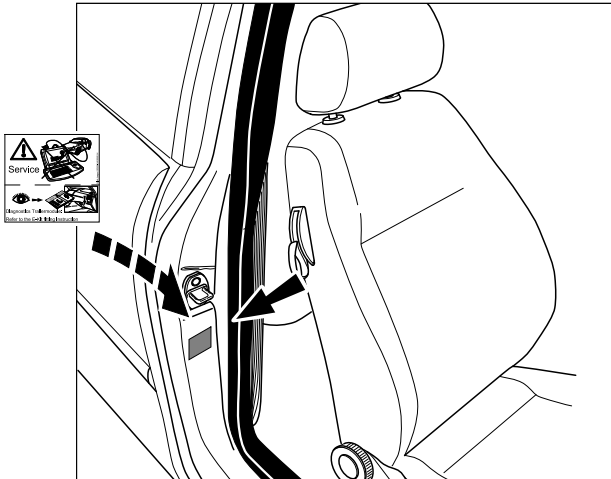
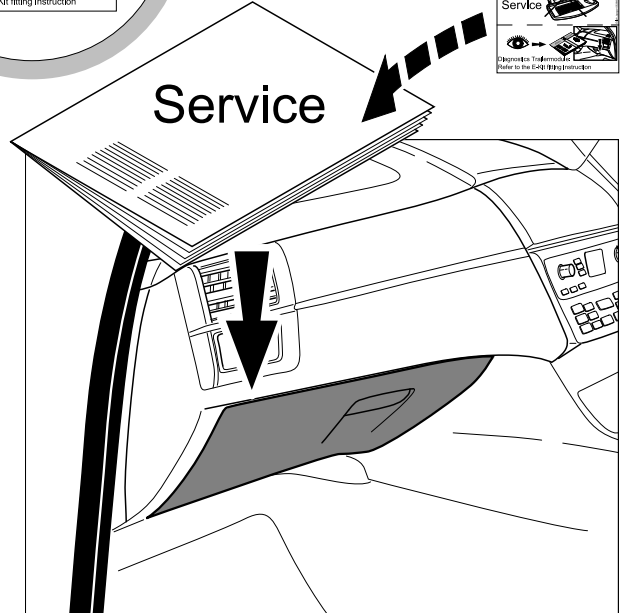
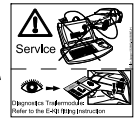
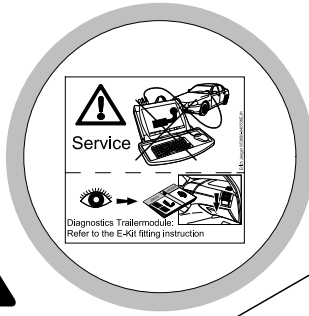
24

👁️ ⇒ 9

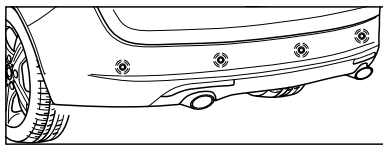
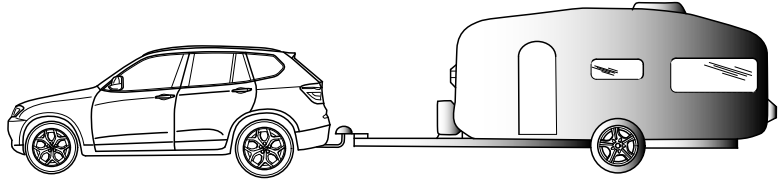
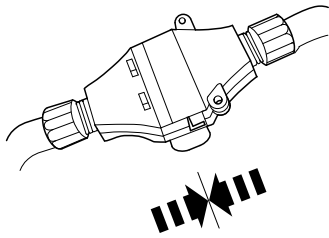




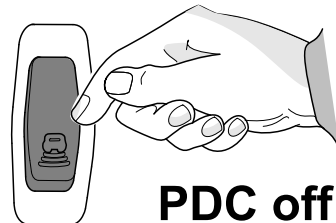
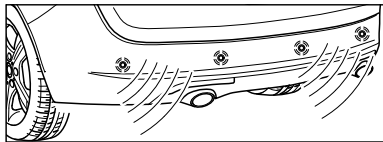
2x 12



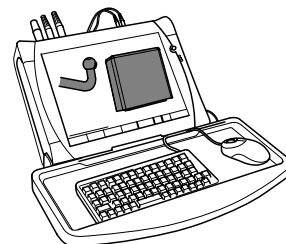
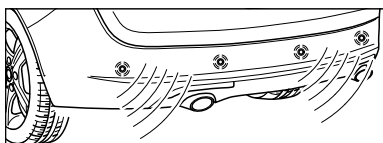
If the PDC does not automatically deactivate, coding and initialization of the module might be required.



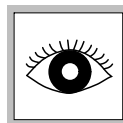
➔ No Coding



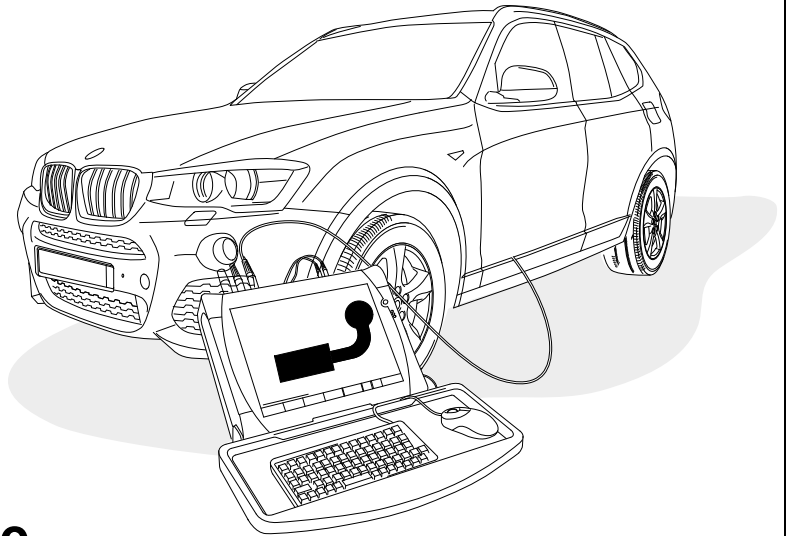
PDC off



**BMW Service ISTA/P  
Initialize Trailer Module**



27



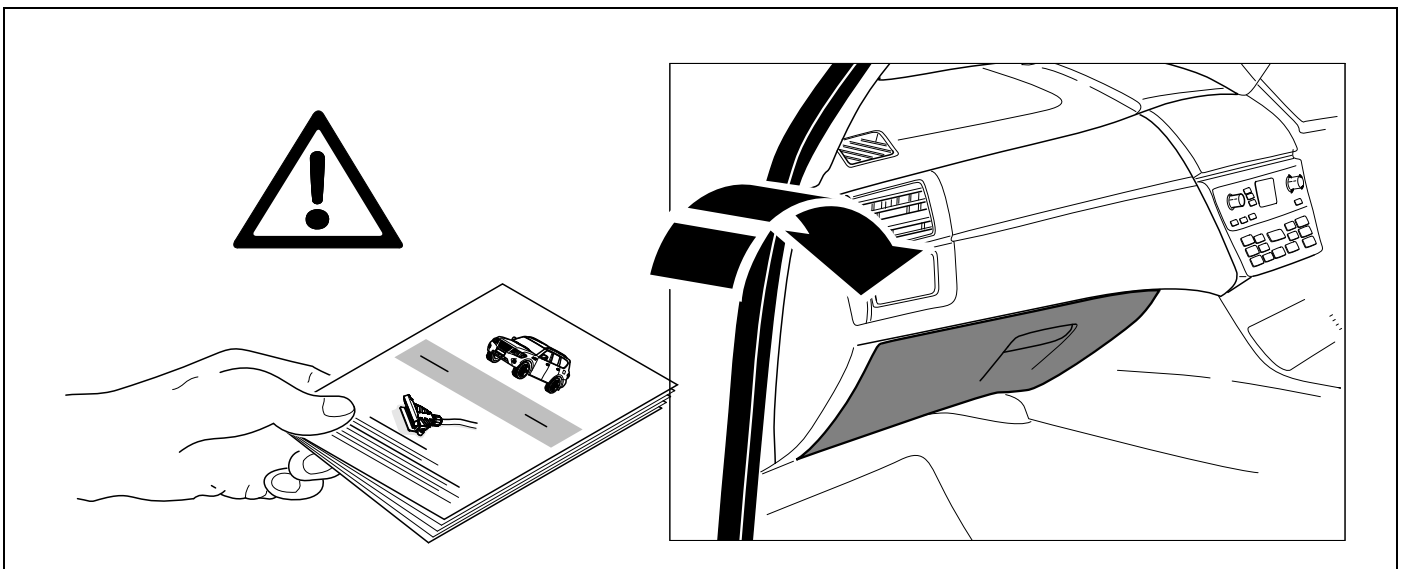
## BMW Service ISTA/P Initialize Trailer Module



### Please effect coding as follows:

- Connect computer to vehicle
- Start ISTA/P
- Click "Modification / Upgrades"
- Scan Action plan
- Click „Coding (Ethernet)“
- Scan Action program follow-up
- Final report checking

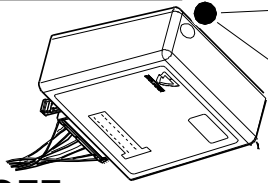
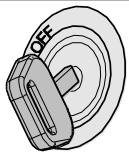
**After the effected connection, the rear park assist system will also automatically be deactivated in trailer operation!**



Subject to change in terms of construction, equipment and colour, and may contain errors.  
The information and illustrations are non-binding.

# Status LED for self-diagnosis

## Operation Support



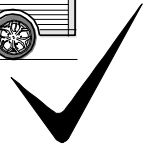
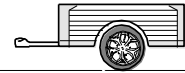
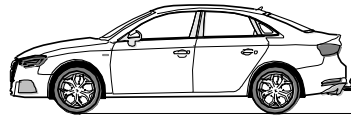
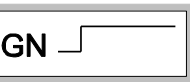
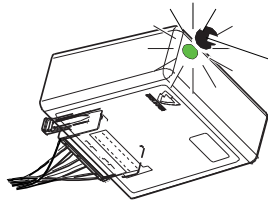
No CAN-Data =



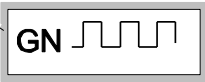
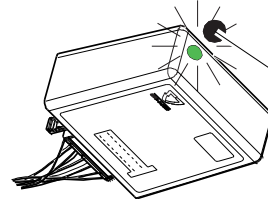
Standby / Sleepmode



Ignition OFF



Ignition ON



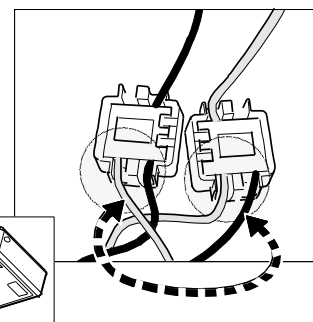
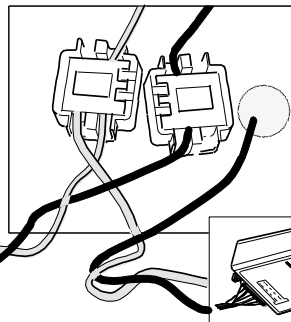
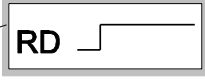
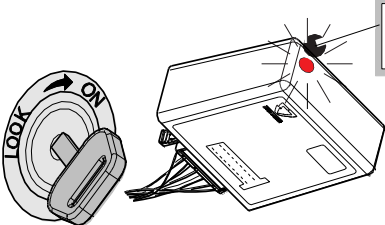
Ignition ON

## Failure Support

CAN-Data Wire

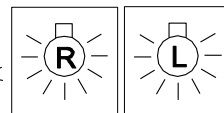


1x max. 5 min.

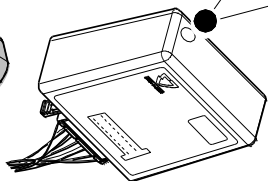


Ignition ON

Failure indicated by the module LED glowing red for a maximum of 5 minutes. If trailer connected the tail lights will also glow indicating failure of CAN signal.



Ignition ON



or

