

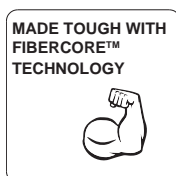
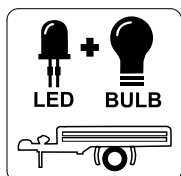
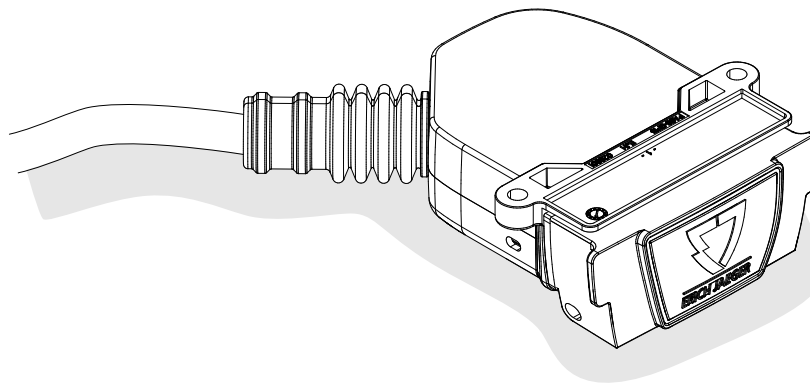
750023EJ

Mazda BT50

12/11 - 07/20



SCAN FOR
LATEST
INSTRUCTIONS



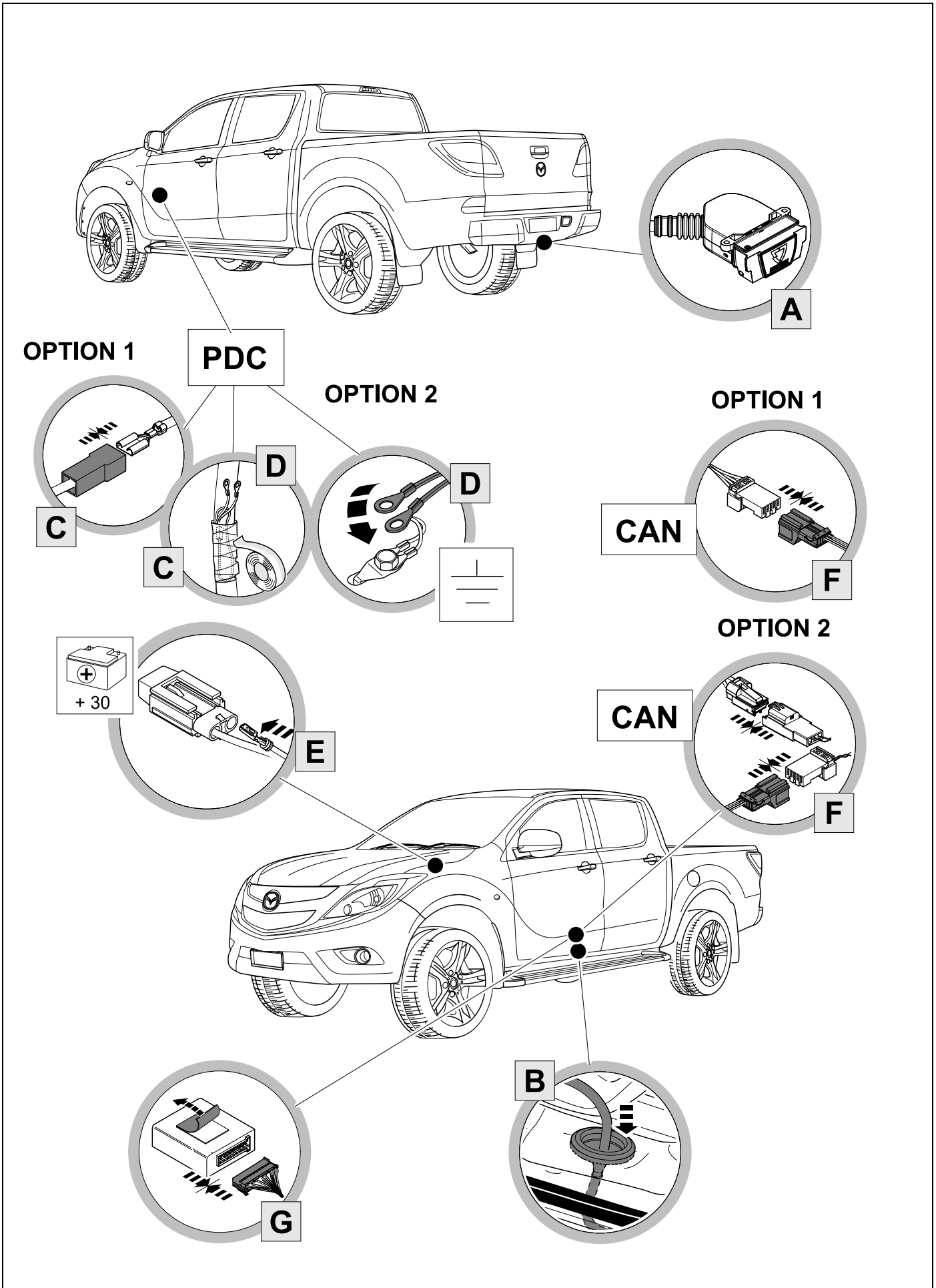
Reference:

The following information must be reviewed before beginning the assembly:

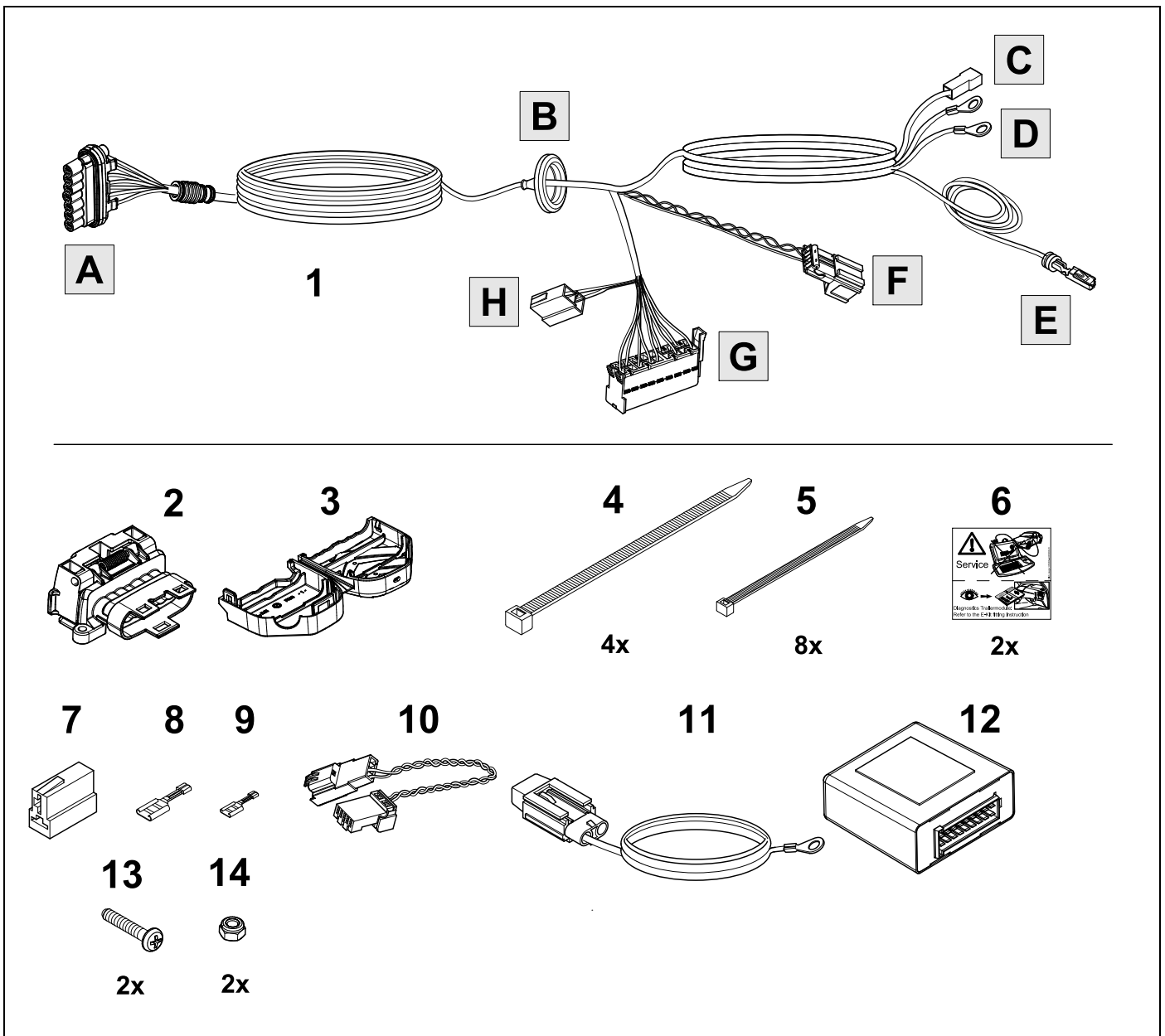
The installation instructions are to be thoroughly read.

The installation should be carried out by qualified personnel with the relevant technical knowledge. The vehicle manufacturers' current technical notices and information on retrofitting must be followed. The removal and replacement instructions found in the current repair manuals must be followed.

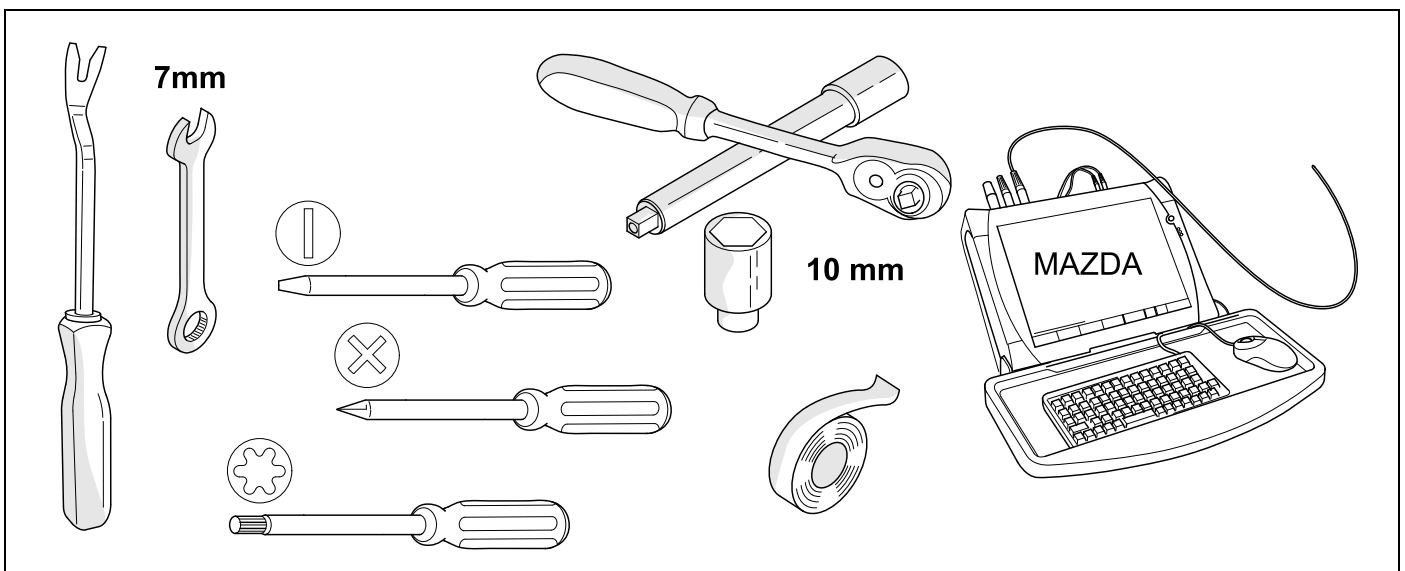
It must be ensured that the vehicle is technically suitable for the installation of a trailer hitch.



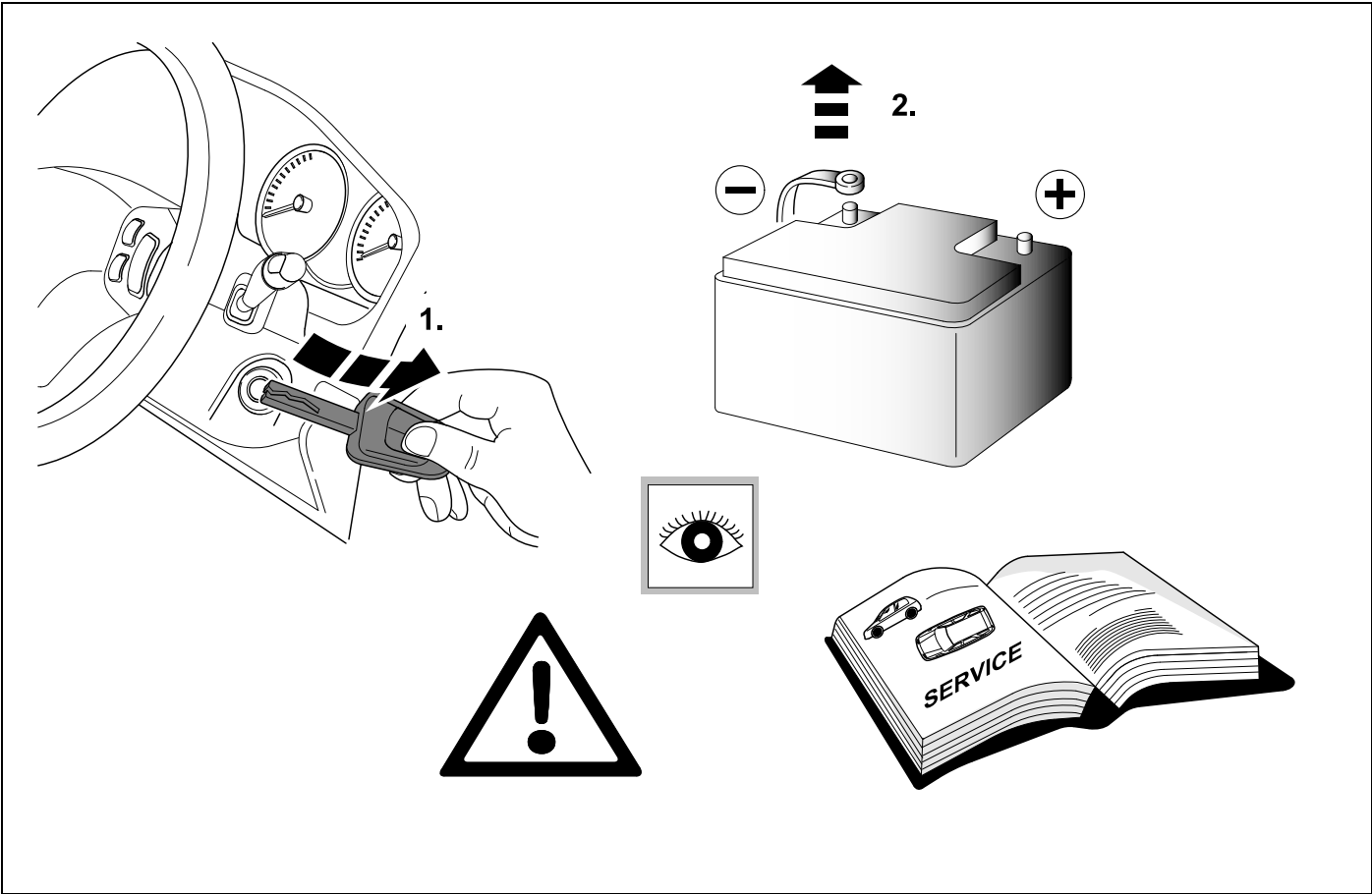
KIT



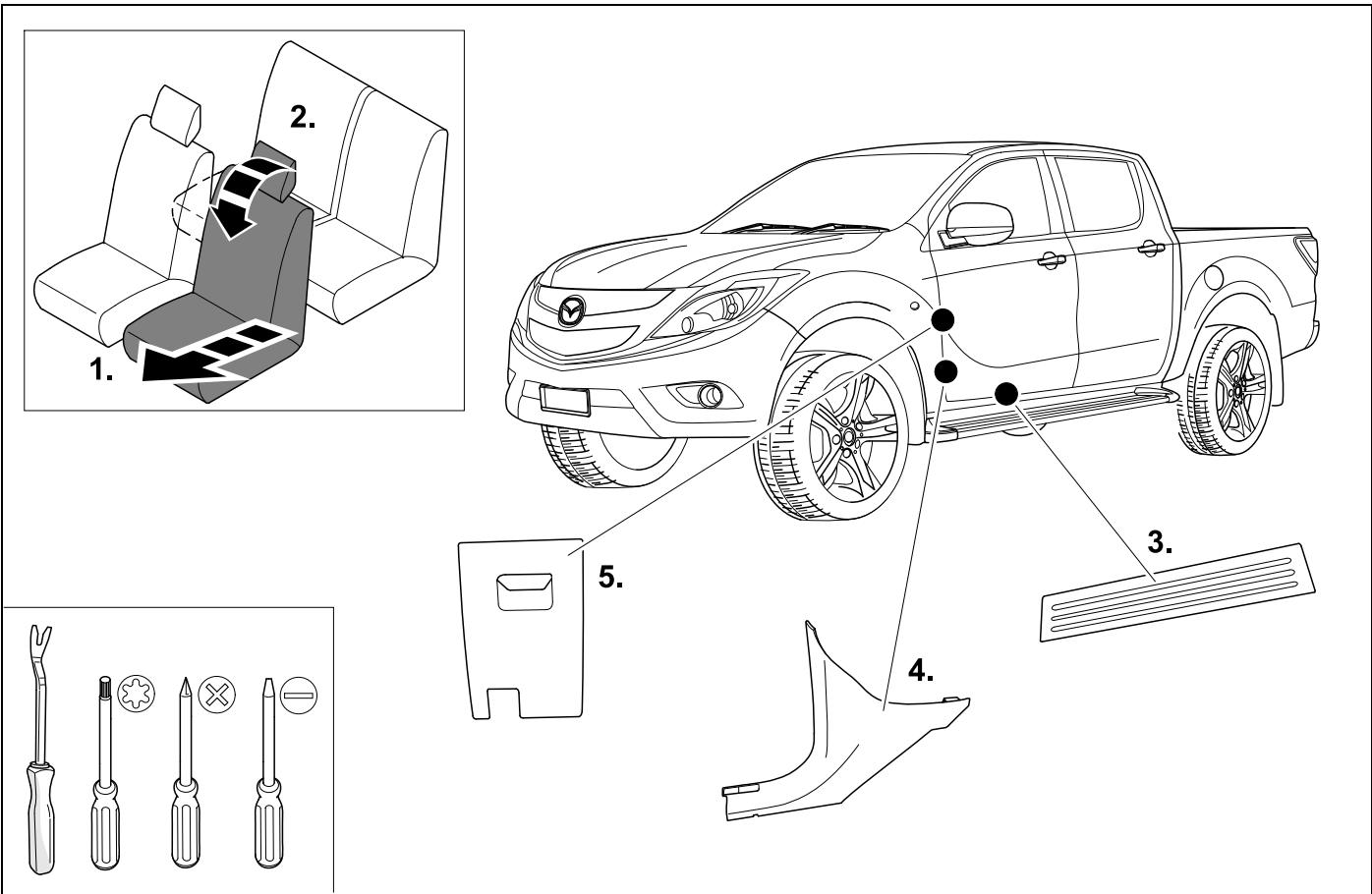
TOOLS



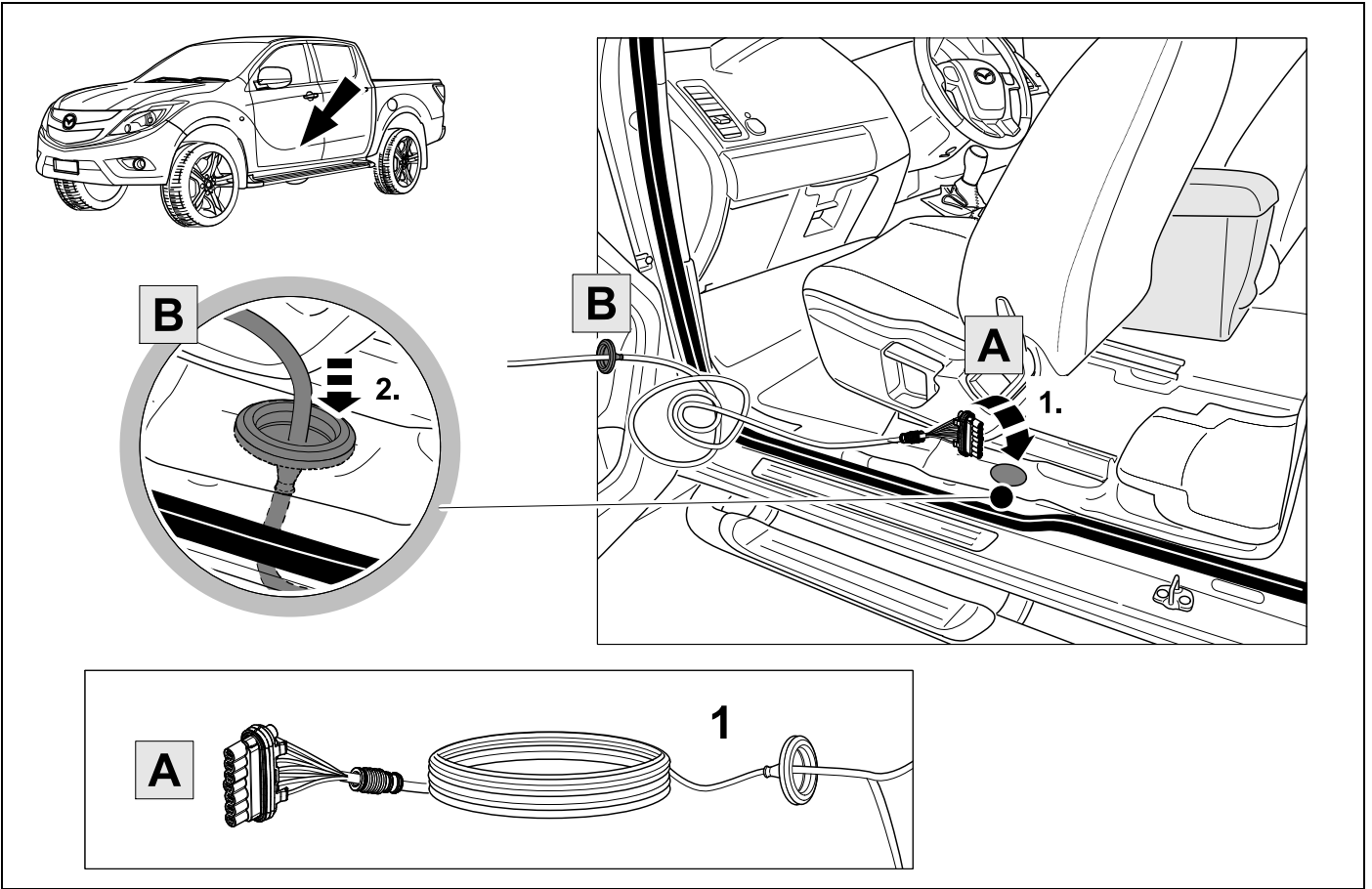
1



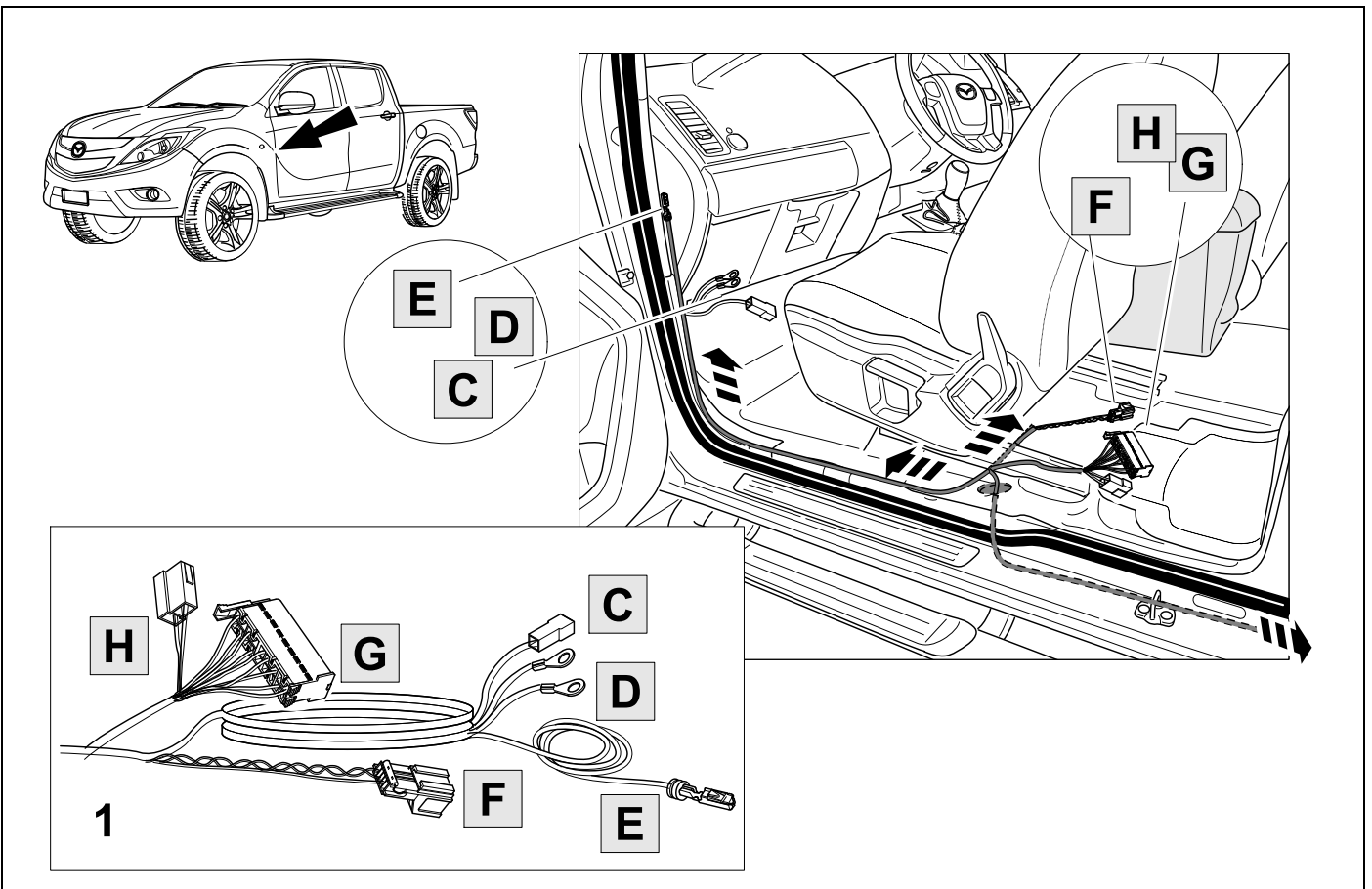
2



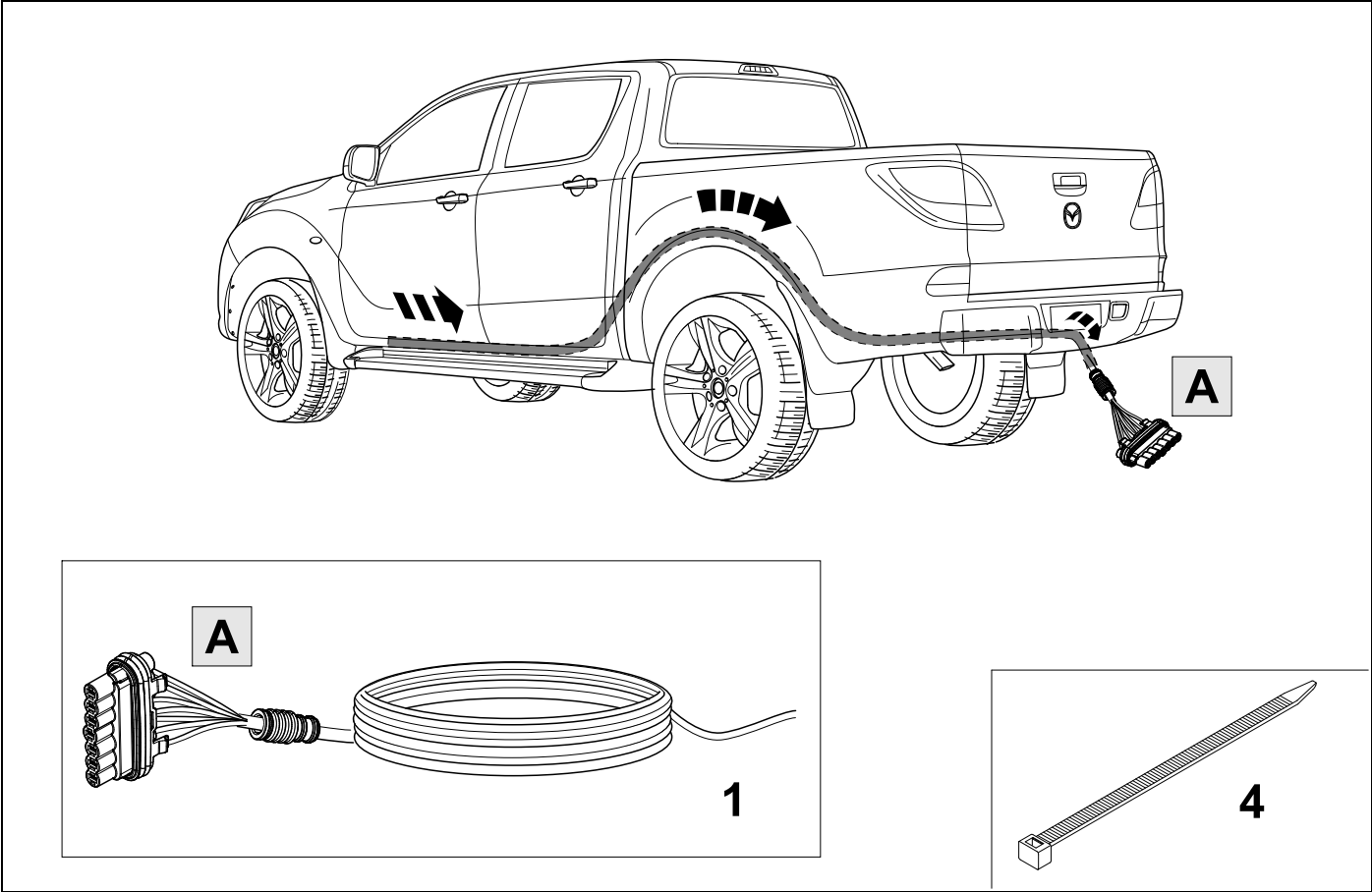
3



4



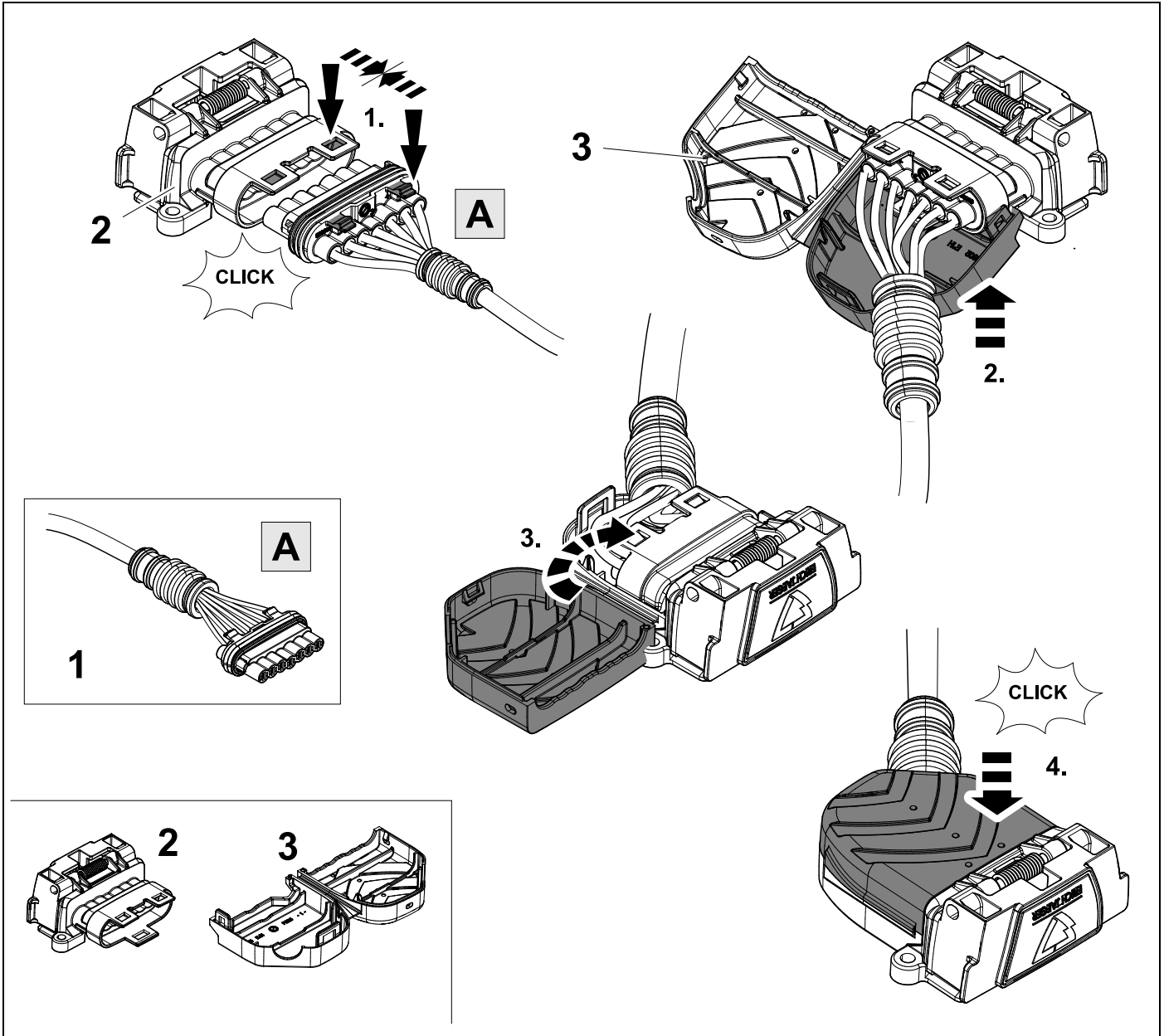
5



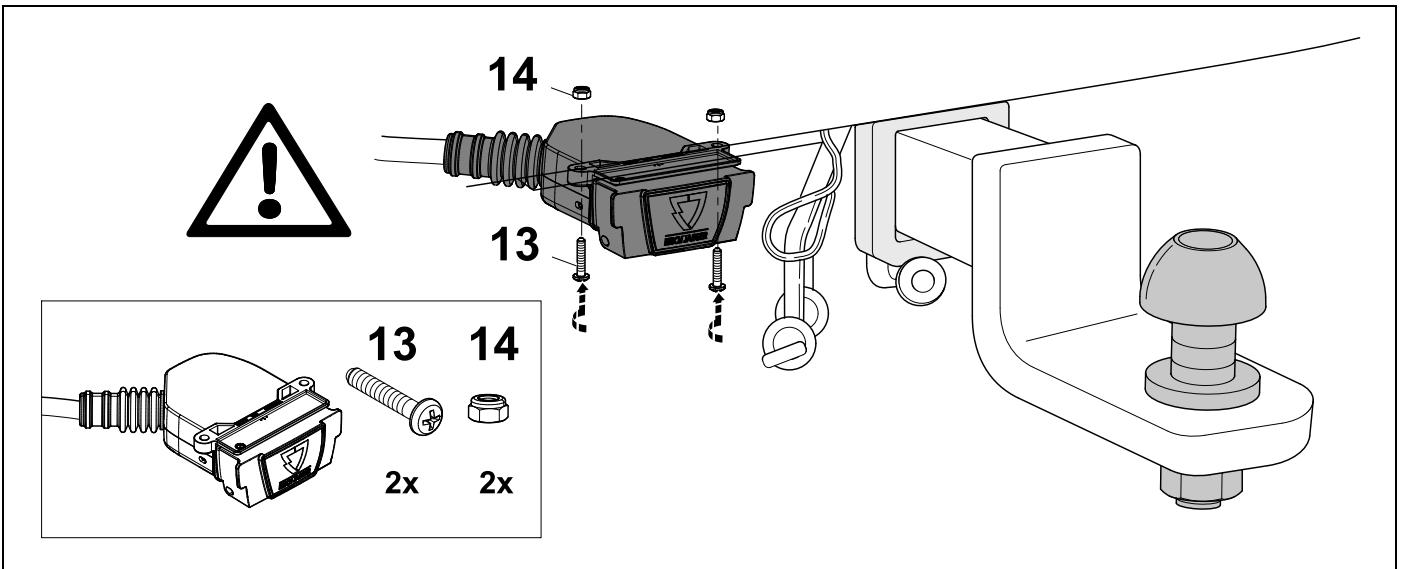
6



8



7



8



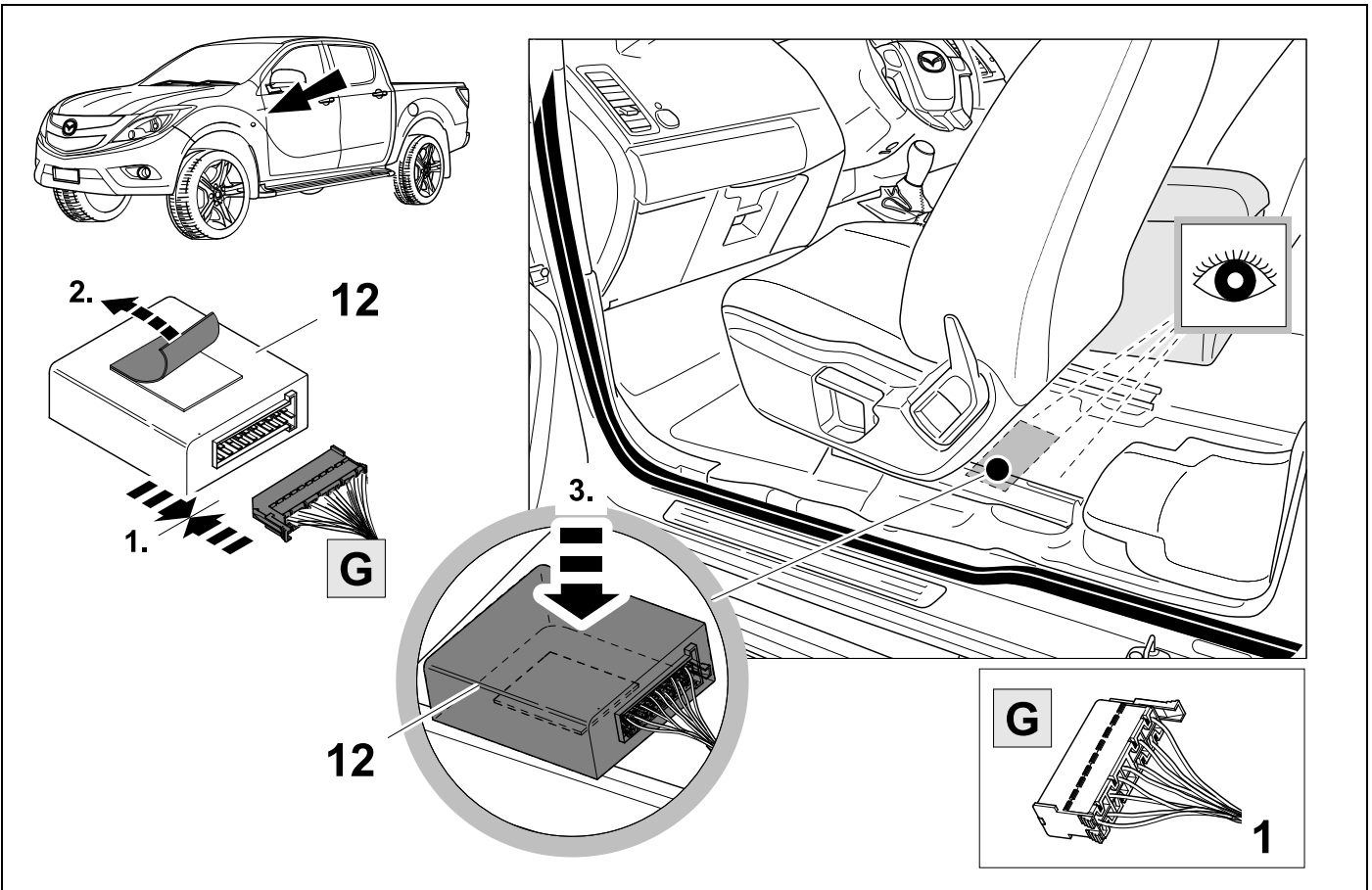
9

1	ye	
2	bk	
3	wh	
4	gn	
5	bu	
6	rd	
7	bn	

9 bk wh gy gn rd bu ye bn pu or no

	black	white	grey	green	red	blue	yellow	brown	purple	orange	not occupied
--	-------	-------	------	-------	-----	------	--------	-------	--------	--------	--------------

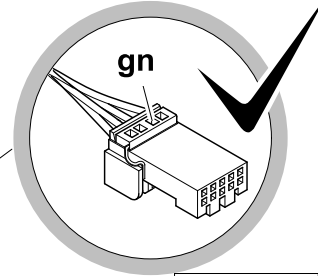
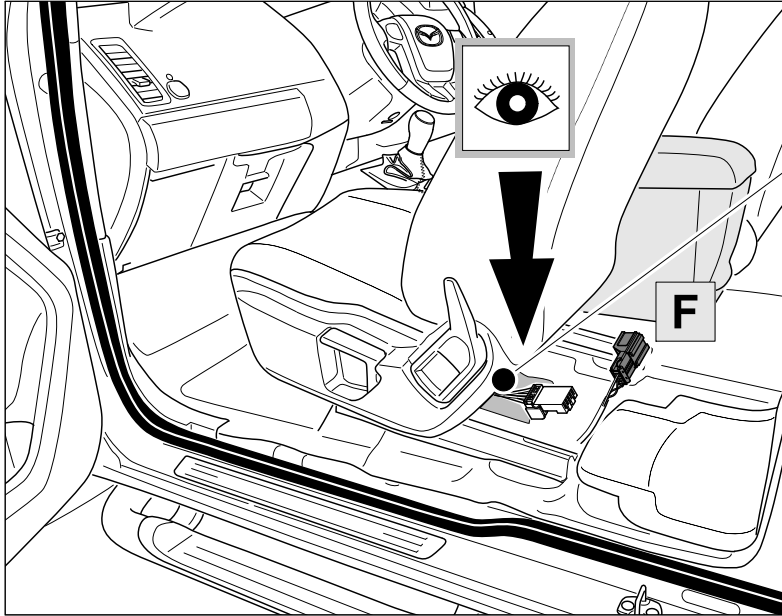
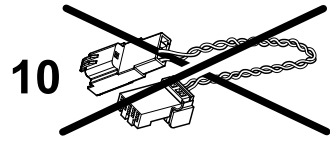
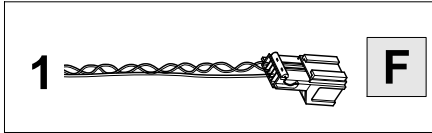
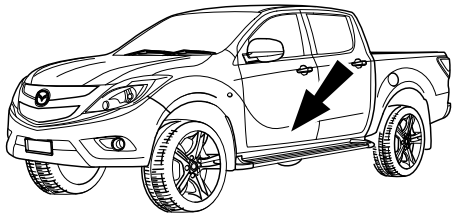
10



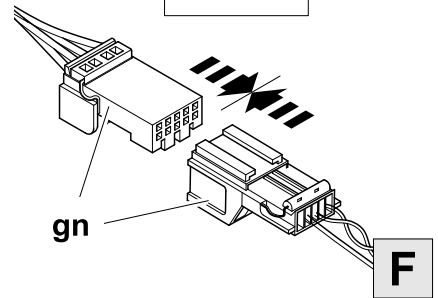
11 OPTION 1



9



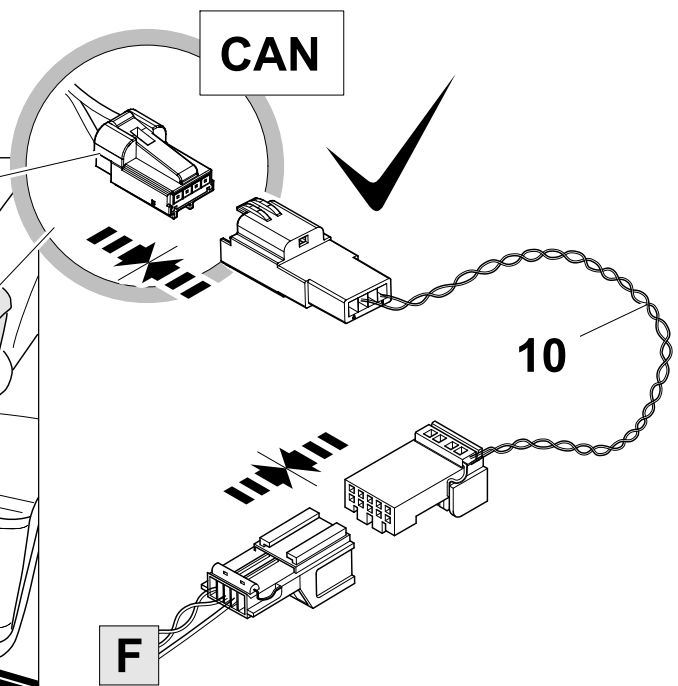
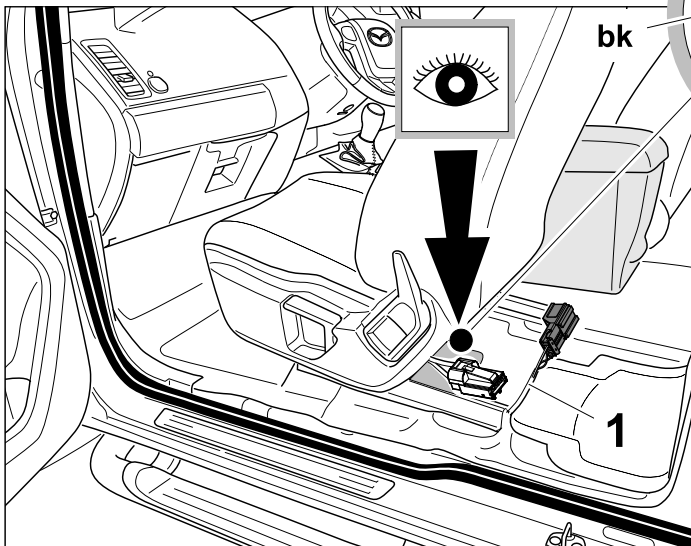
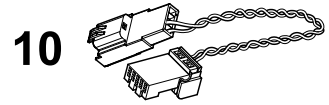
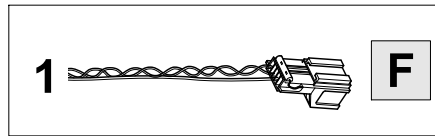
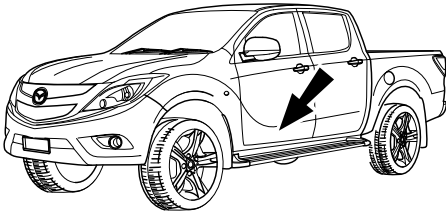
CAN



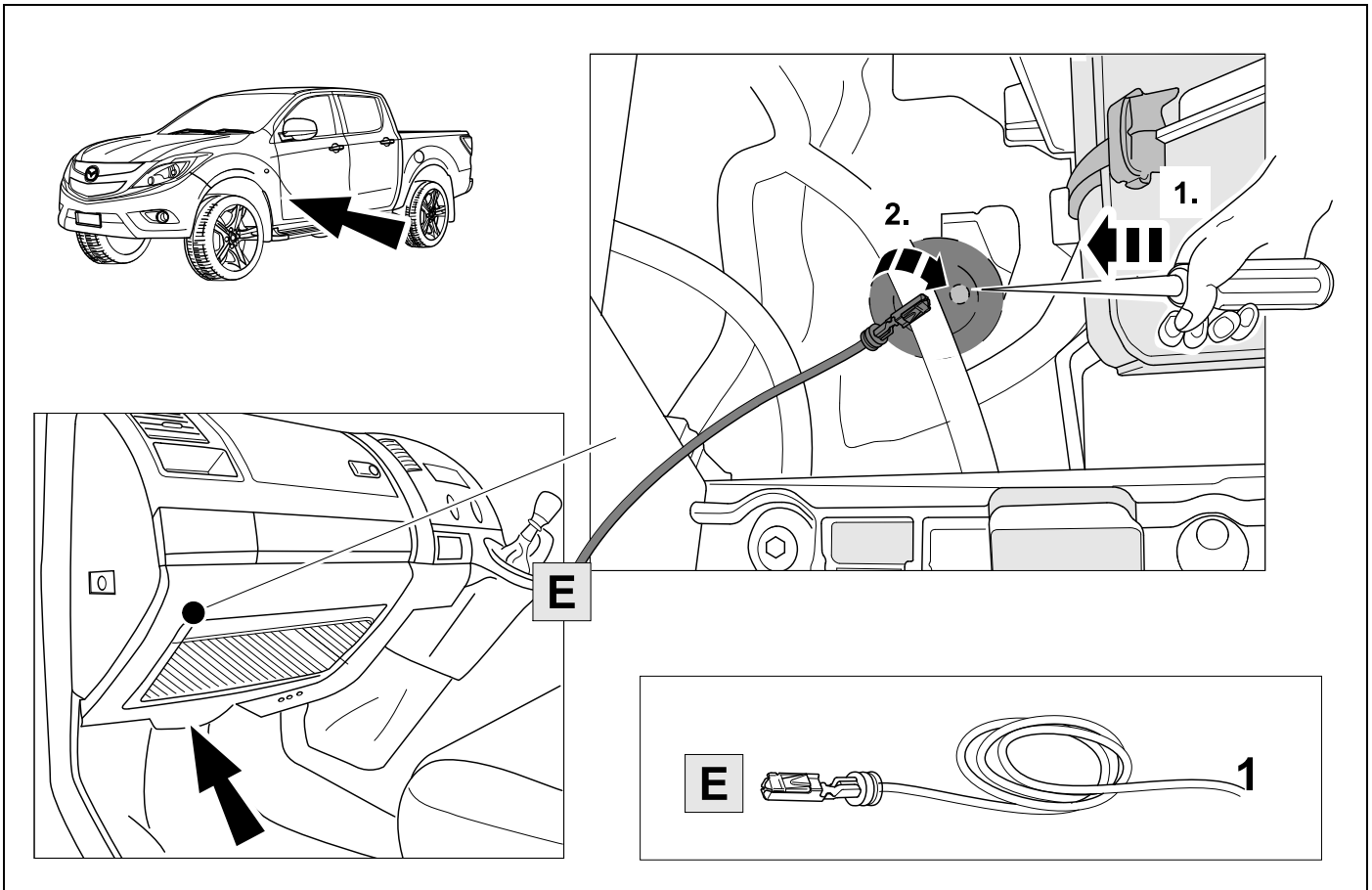
12 OPTION 2



9



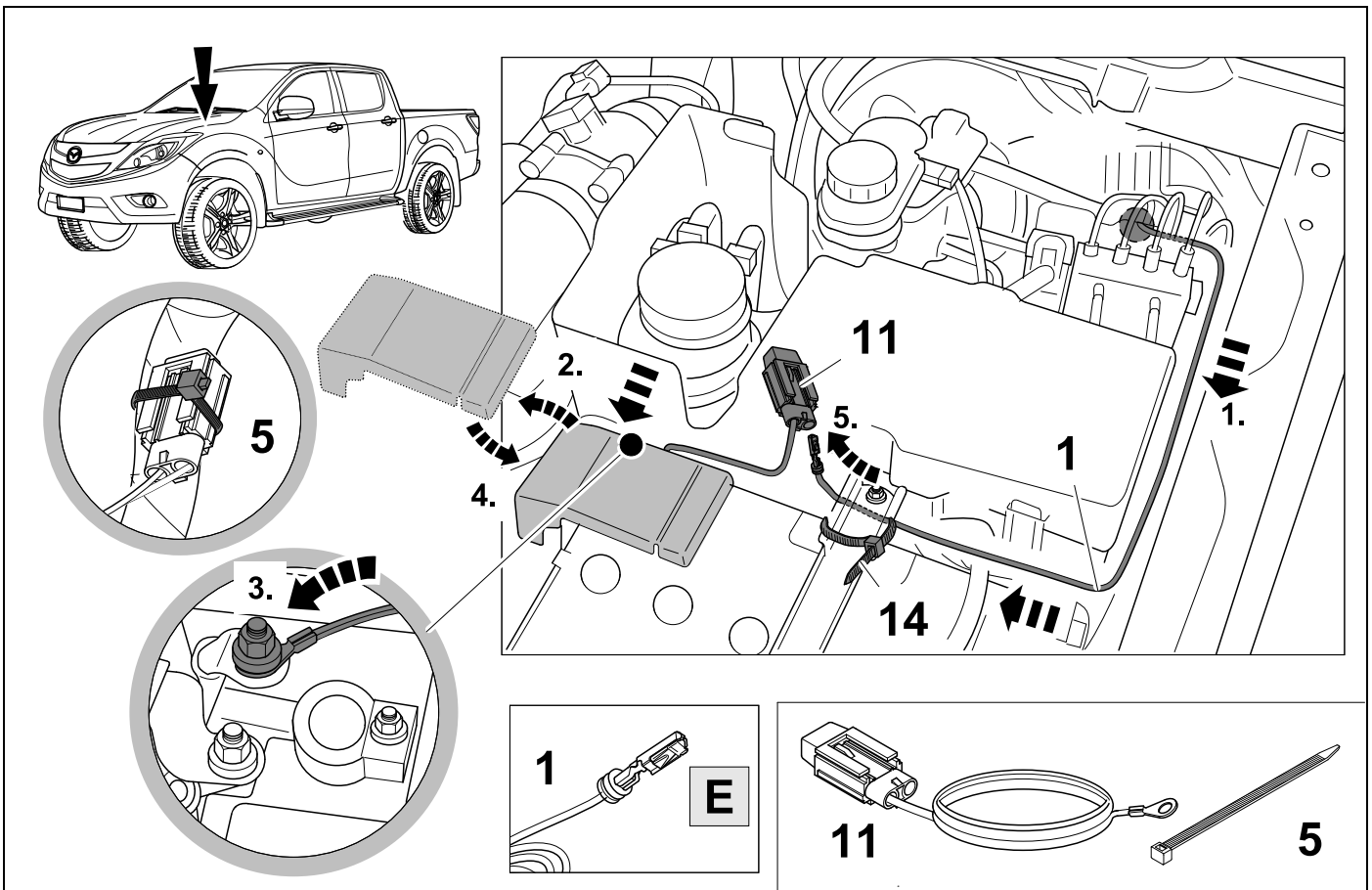
13



14



25

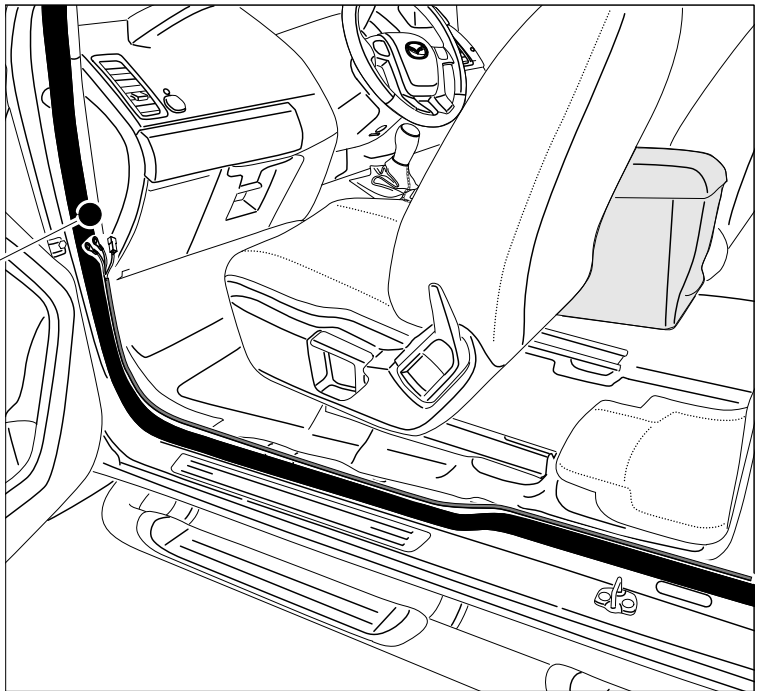
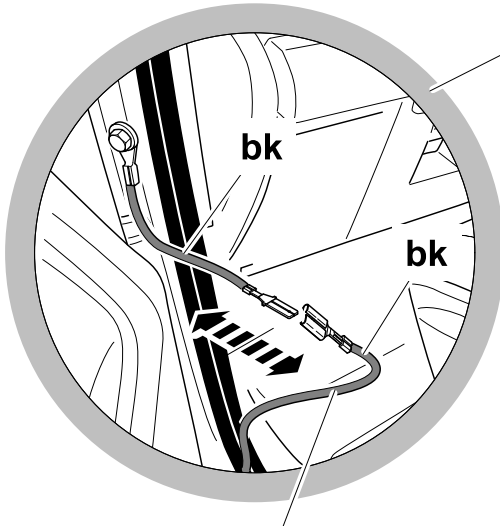
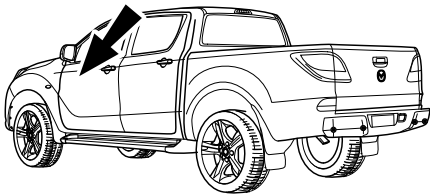


15 OPTION 1



9

With Infotainment system and PDC

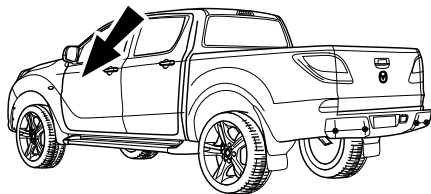


Vehicle harness to PDC module

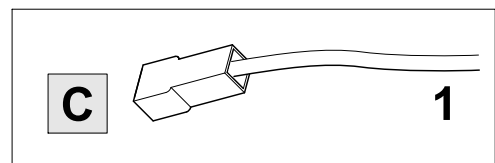
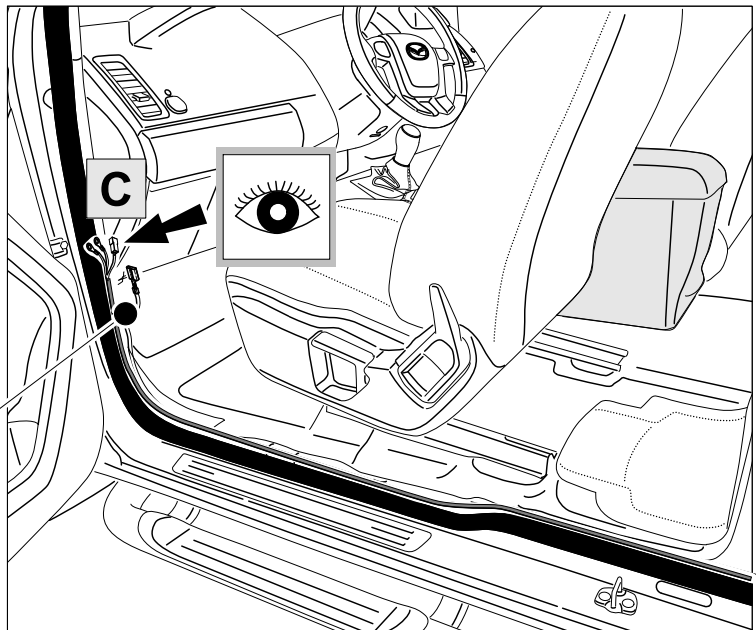
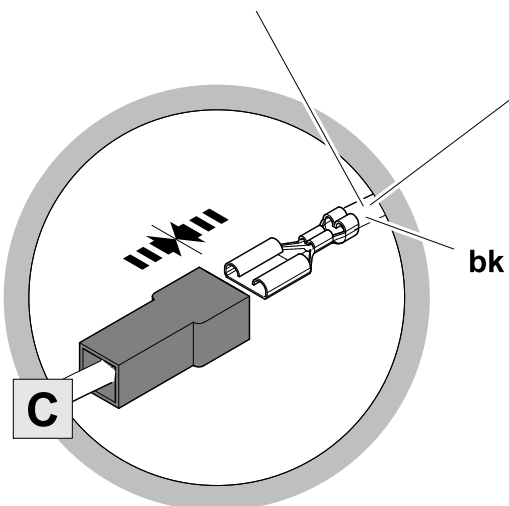
16 OPTION 1



9



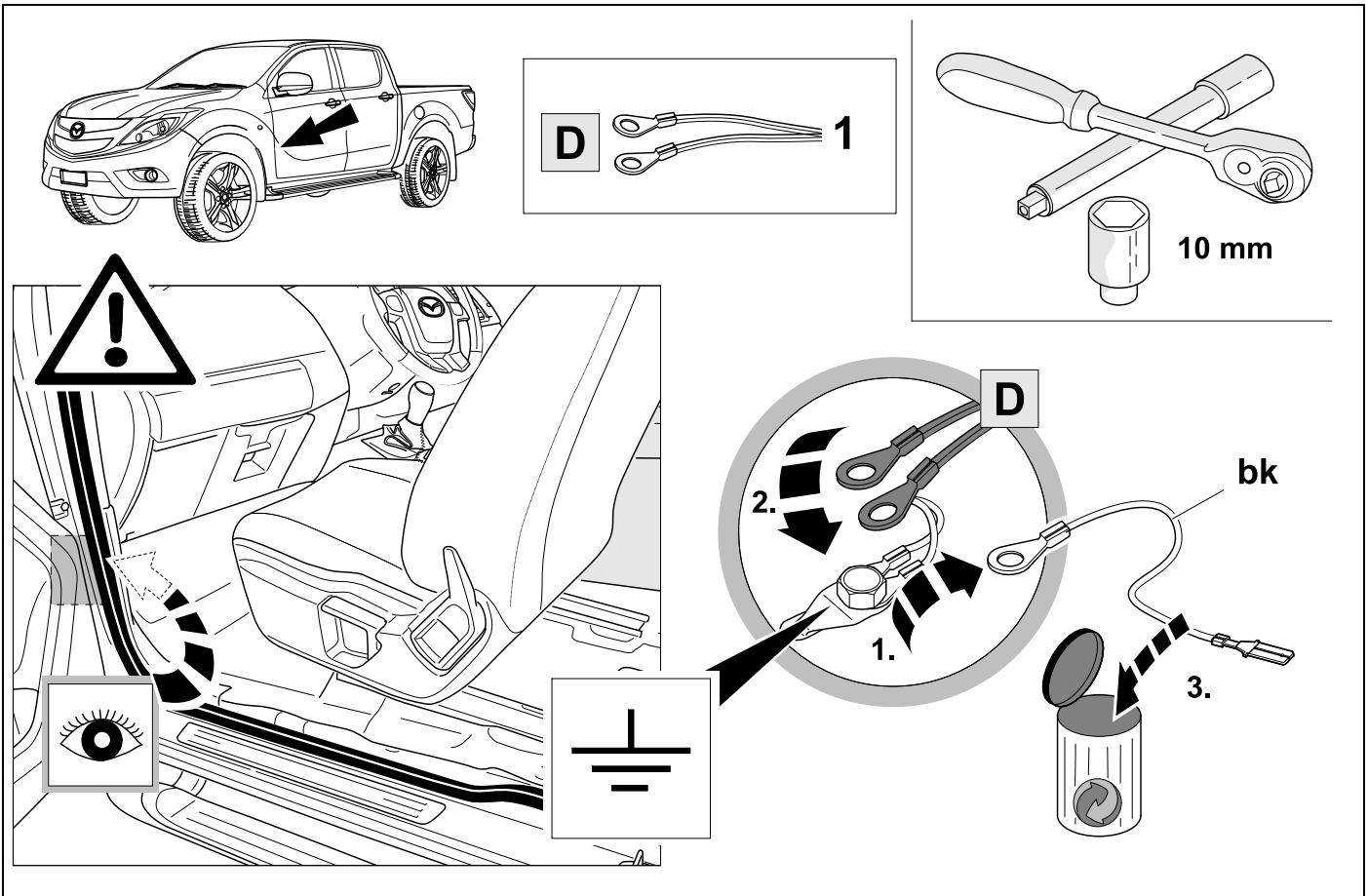
Vehicle harness to PDC module



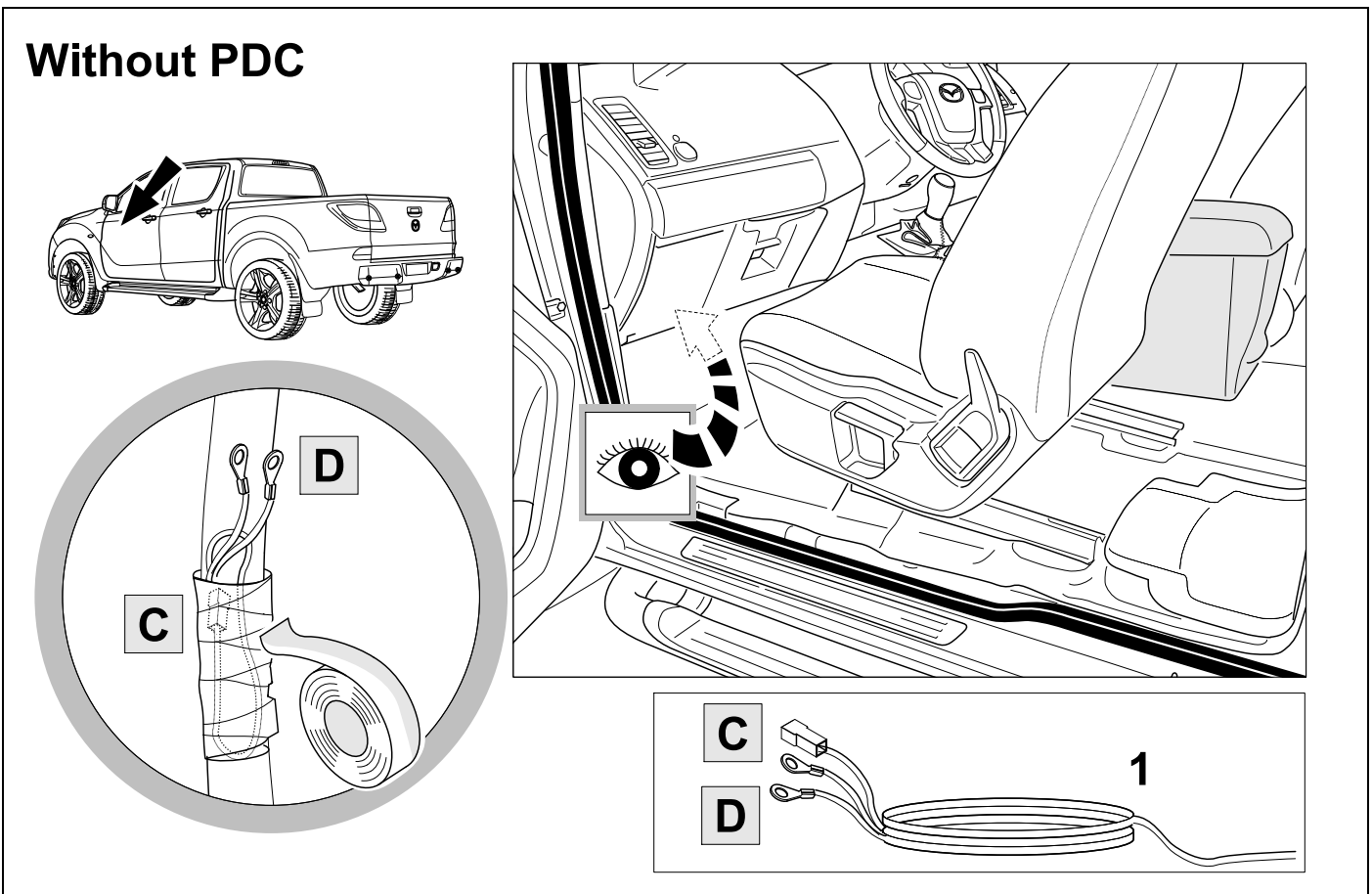
17 OPTION 1



9

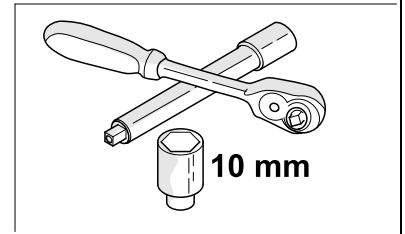
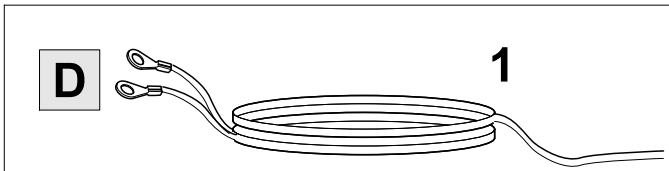
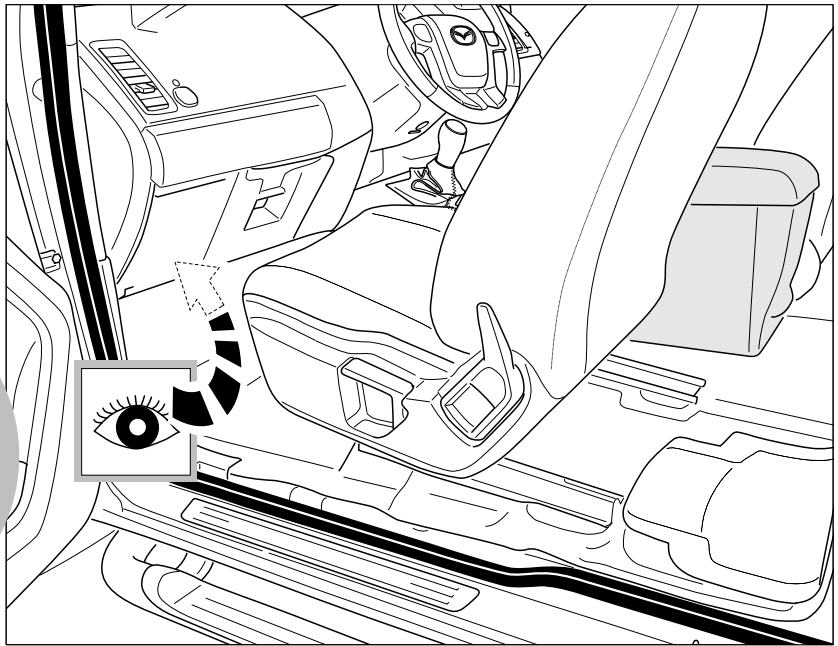
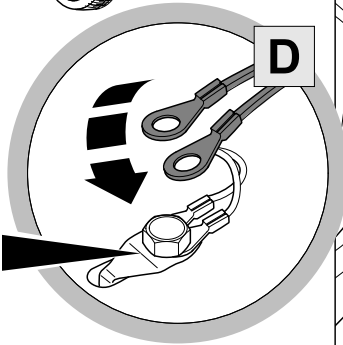
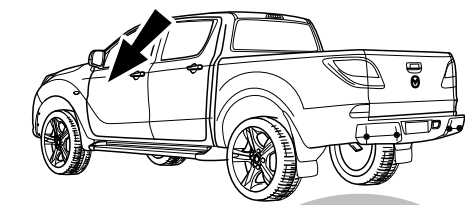


18 OPTION 2



19 OPTION 2

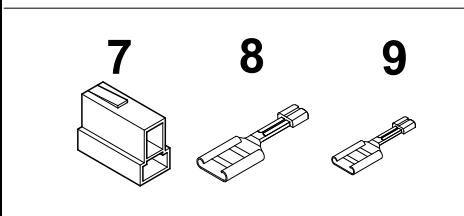
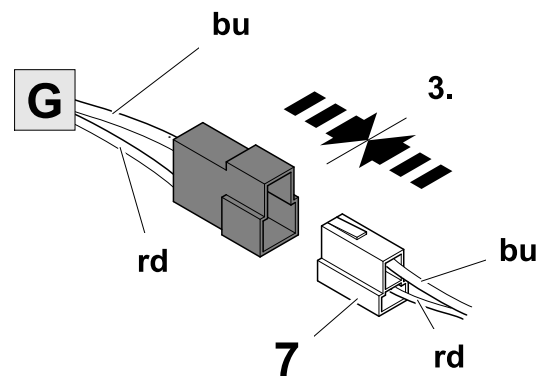
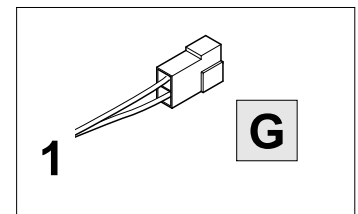
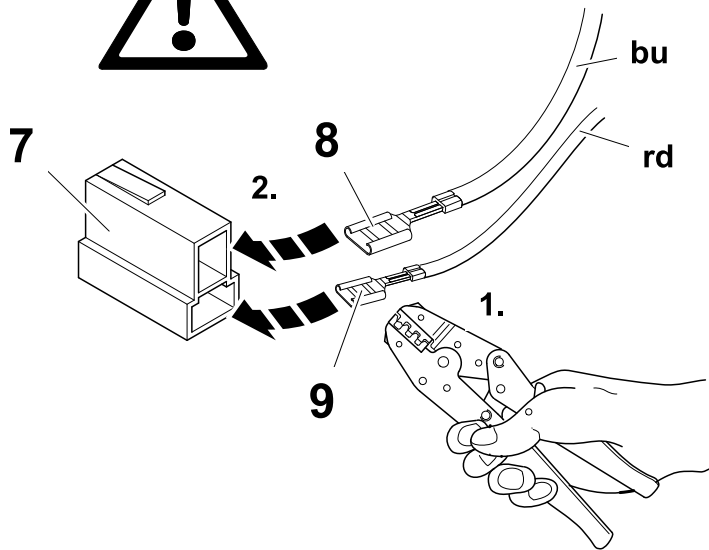
Without PDC



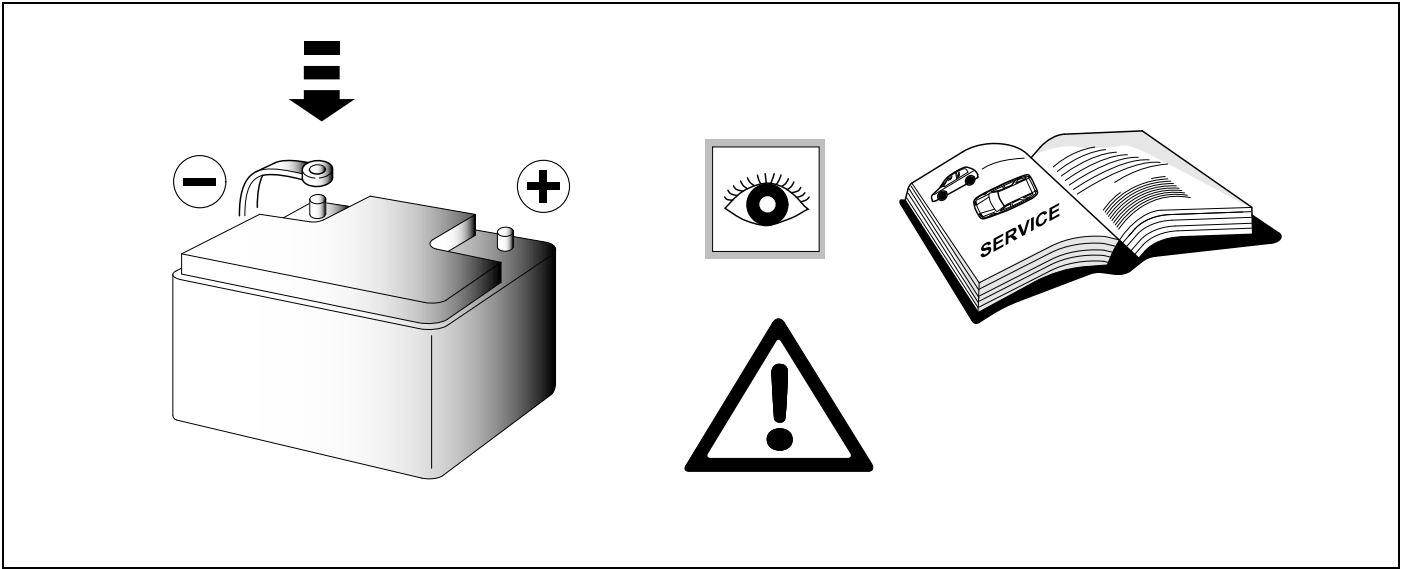
20 OPTIONAL



Trailer Brake Preparation



21



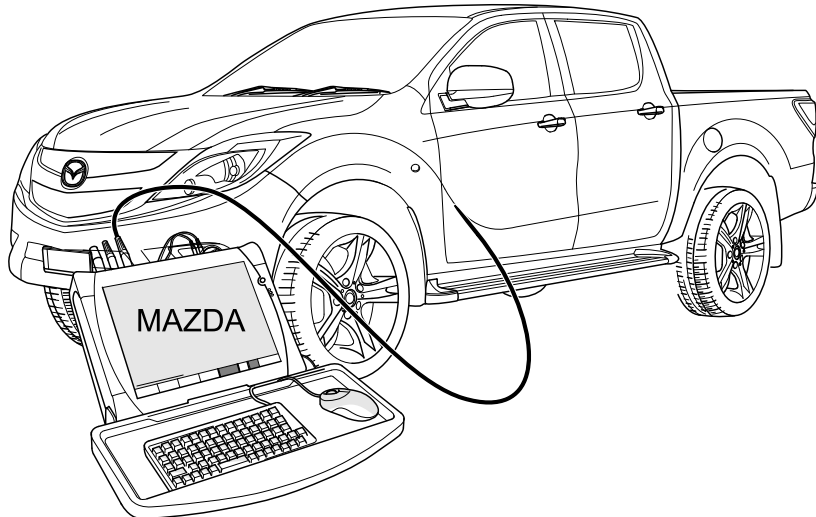
23

CHECK ALL LIGHTING FUNCTIONS

IDS

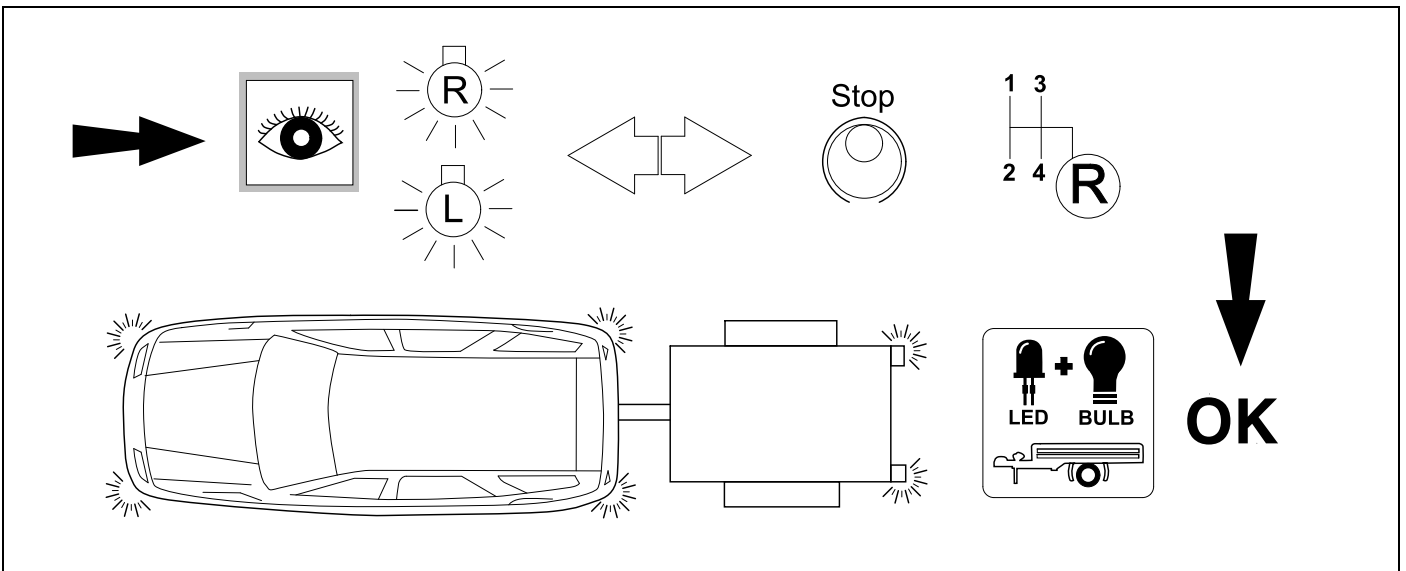


Parameter 19
 Parameter 20
 Parameter 76



23

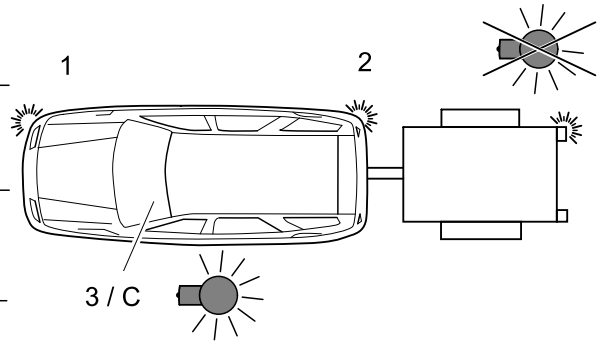
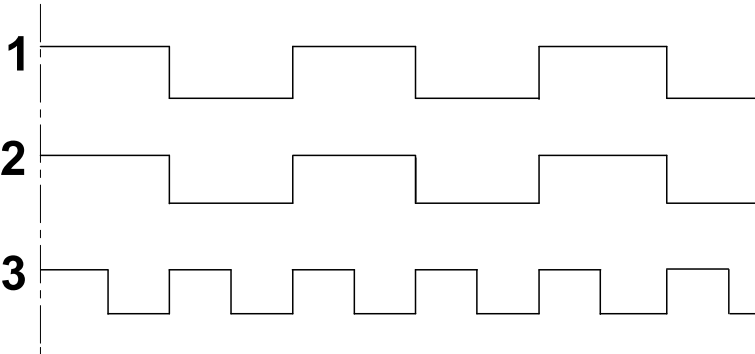
CHECK ALL LIGHTING FUNCTIONS



24

CHECK BULB OUT DETECTION

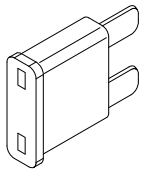
BULB OUT CONDITION INDICATED WITH INCREASED INDICATOR FREQUENCY



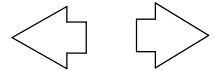
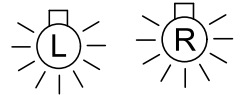
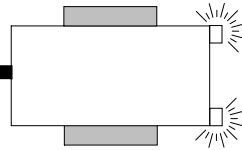
25



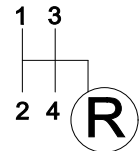
14



20 A



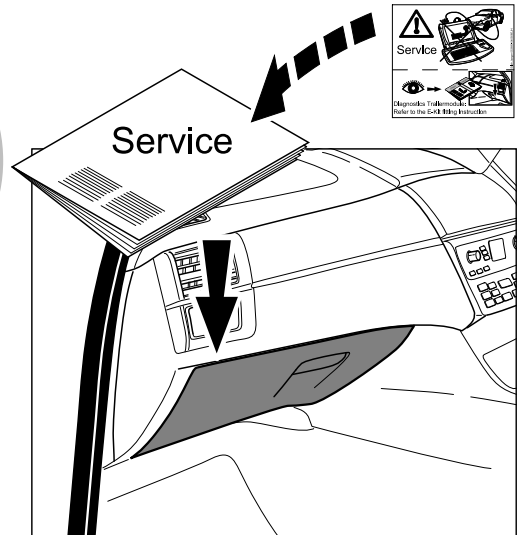
Stop

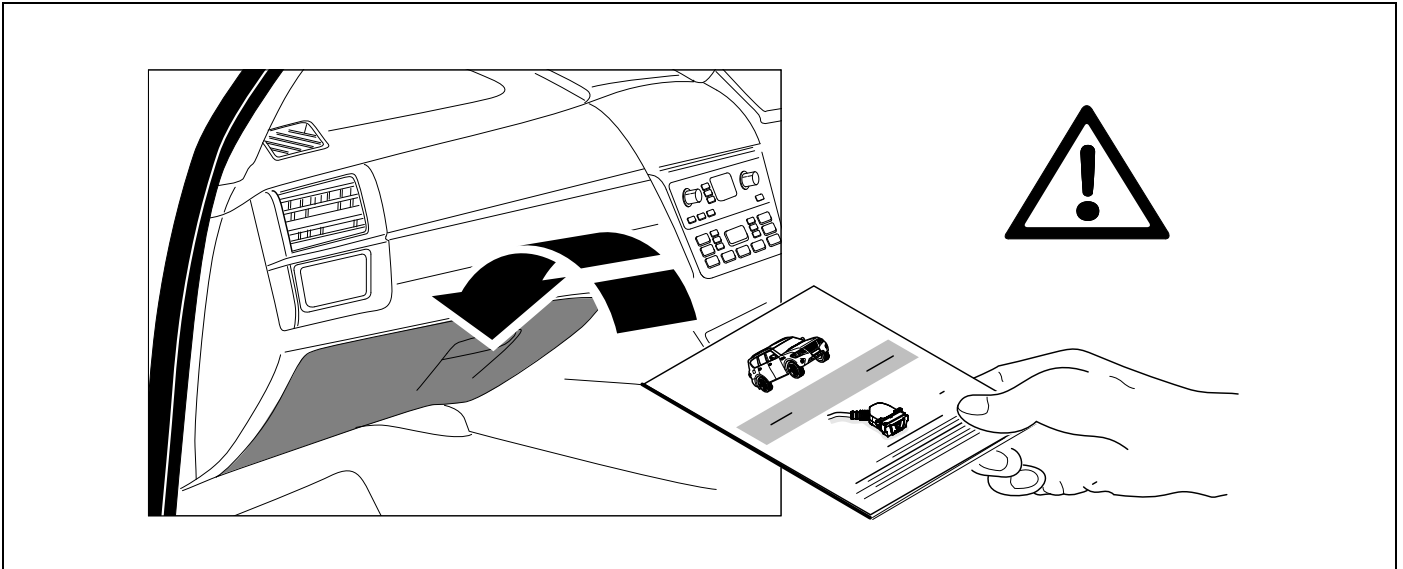


26



2x 6

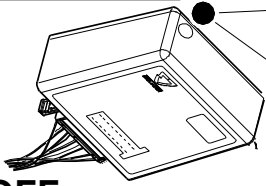
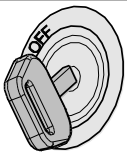




Subject to change in terms of construction, equipment and colour, and may contain errors.
The information and illustrations are non-binding.

Status LED for self-diagnosis

Operation Support



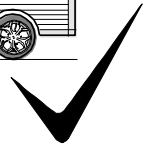
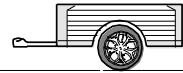
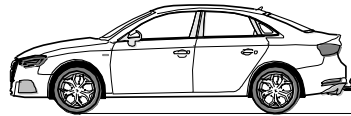
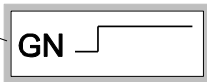
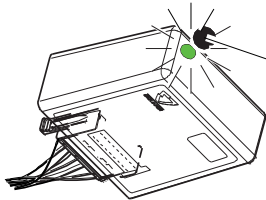
No CAN-Data =



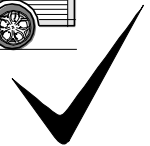
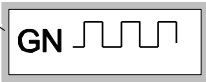
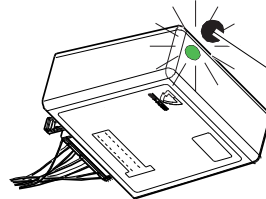
Standby / Sleepmode



Ignition OFF



Ignition ON



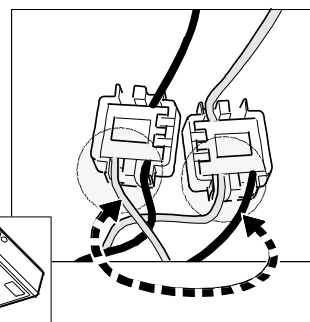
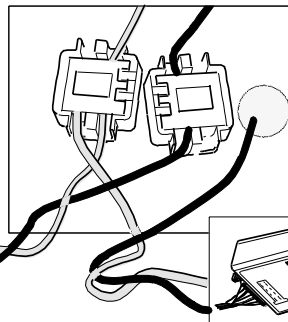
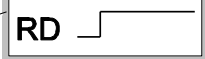
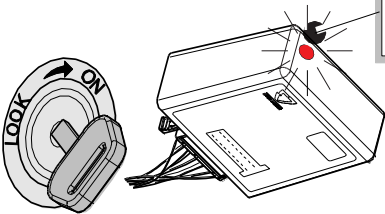
Ignition ON

Failure Support

CAN-Data Wire

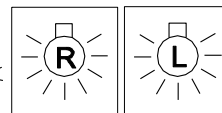


1x max. 5 min.

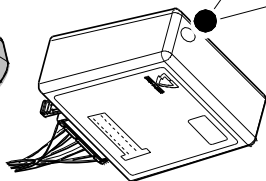


Ignition ON

Failure indicated by the module LED glowing red for a maximum of 5 minutes. If trailer connected the tail lights will also glow indicating failure of CAN signal.



Ignition ON



or

