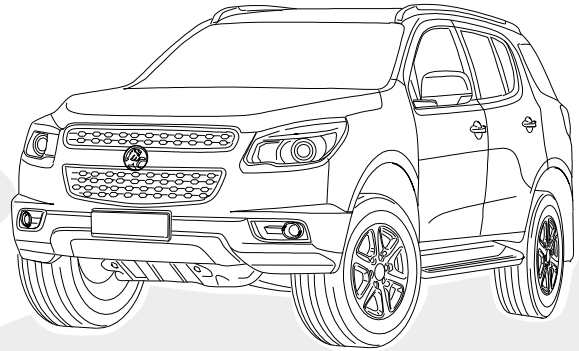
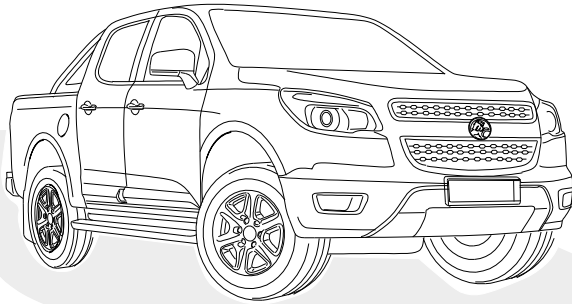




ERICH JAEGER

# Installation instructions



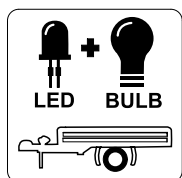
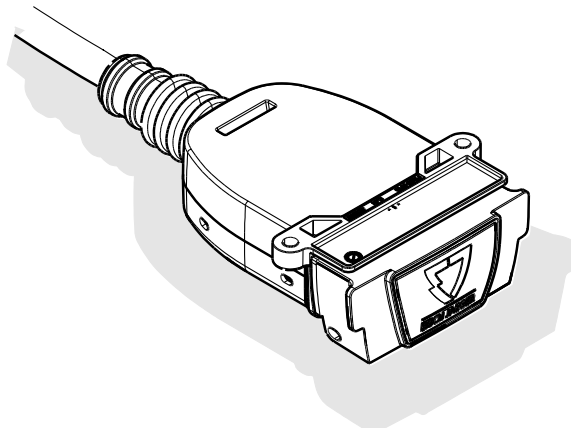
## 750024EJ

### HOLDEN Colorado

### MY'12 >>



SCAN FOR  
LATEST  
INSTRUCTIONS



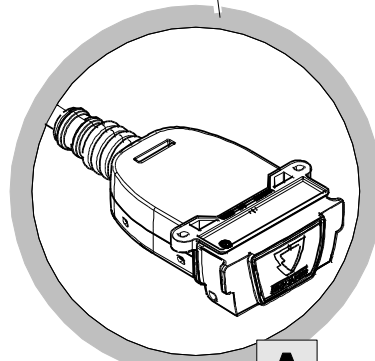
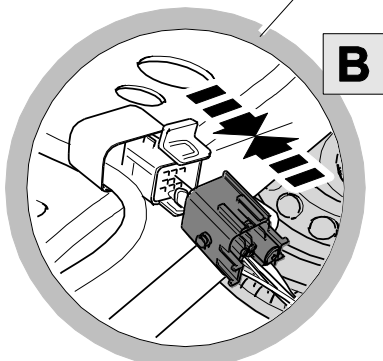
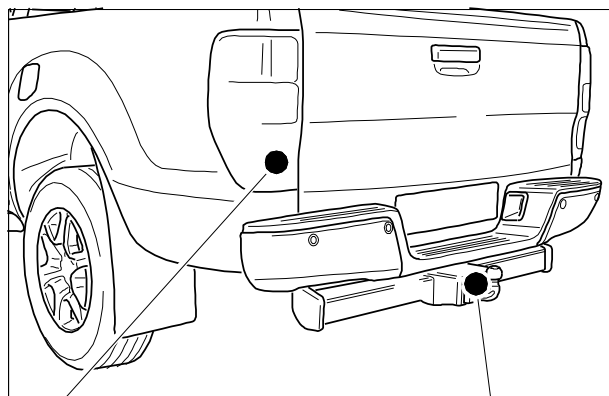
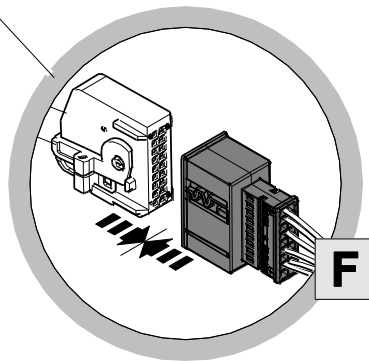
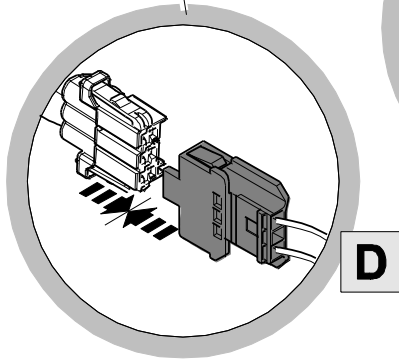
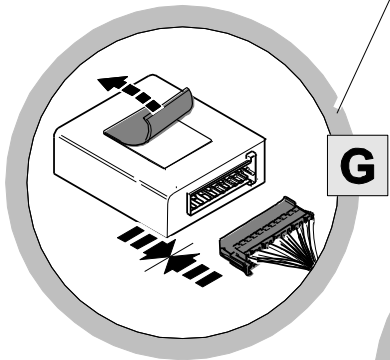
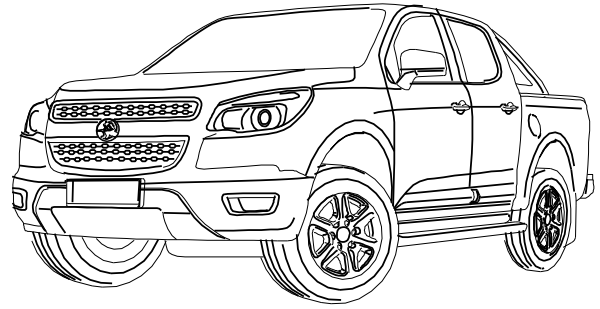
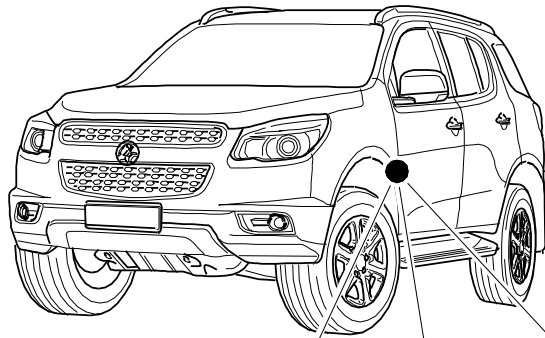
### Reference:

The following information must be reviewed before beginning the assembly:

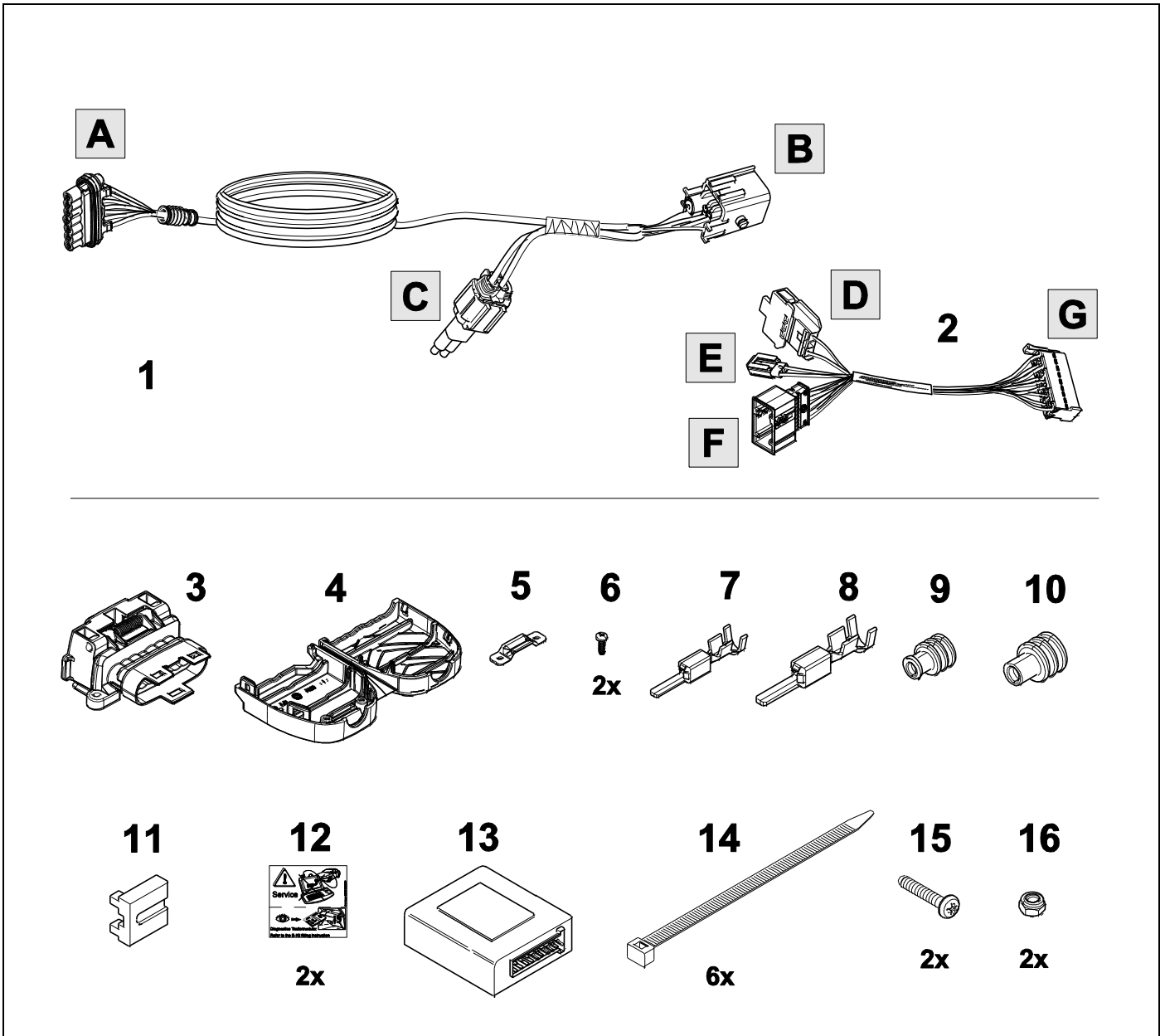
The installation instructions are to be thoroughly read.

The installation should be carried out by qualified personnel with the relevant technical knowledge. The vehicle manufacturers' current technical notices and information on retrofitting must be followed. The removal and replacement instructions found in the current repair manuals must be followed.

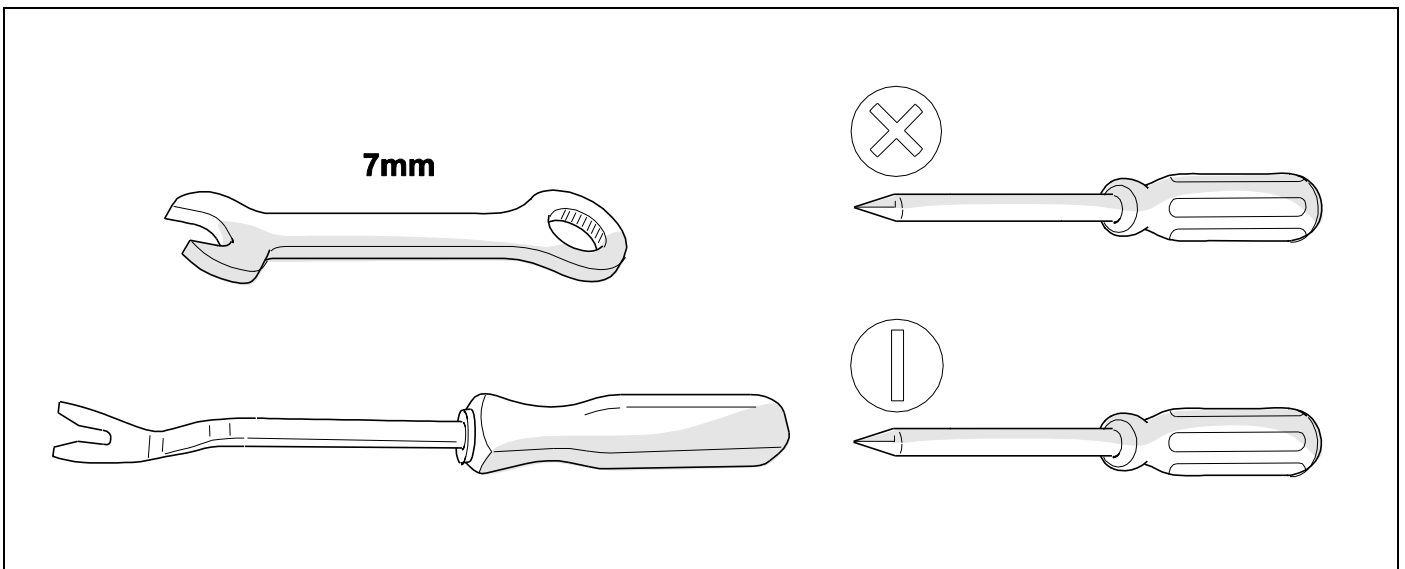
It must be ensured that the vehicle is technically suitable for the installation of a trailer hitch.



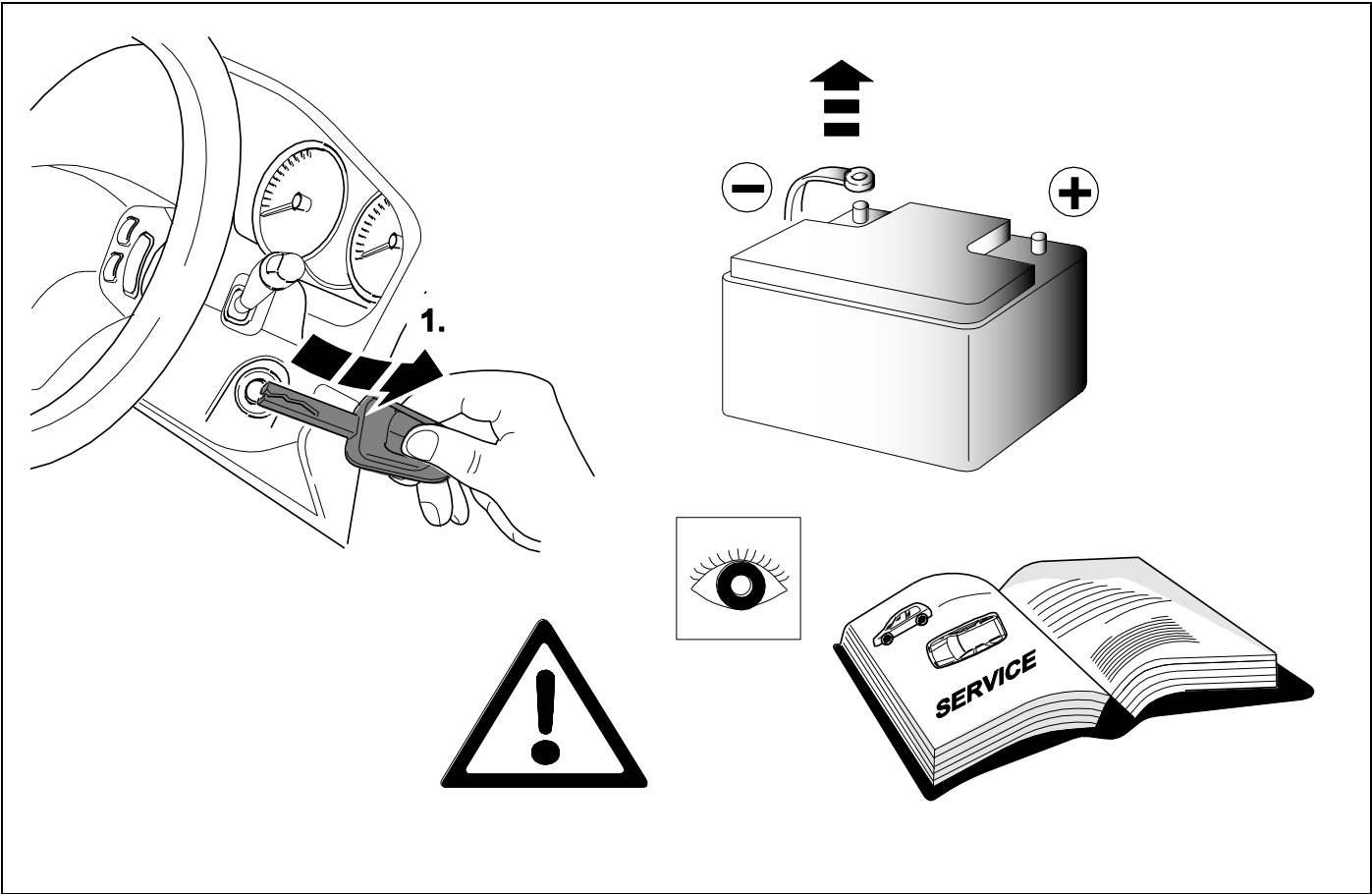
# KIT



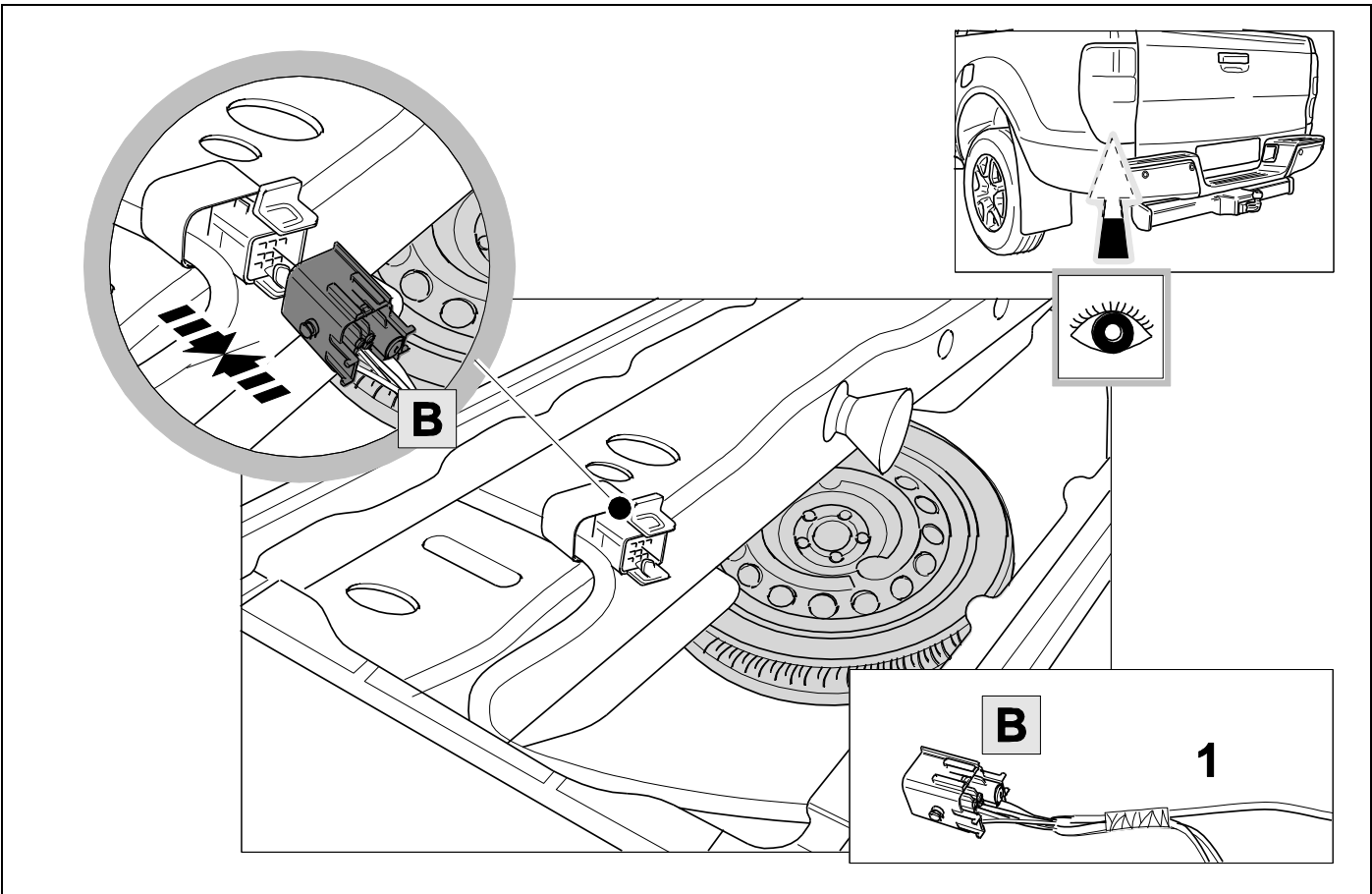
# TOOLS



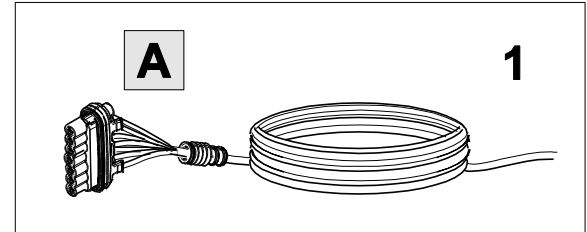
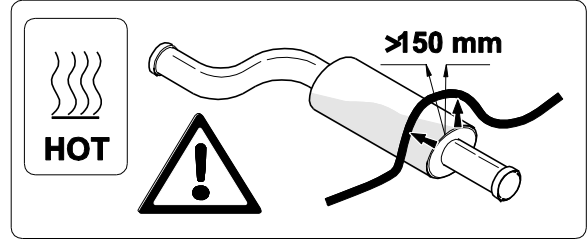
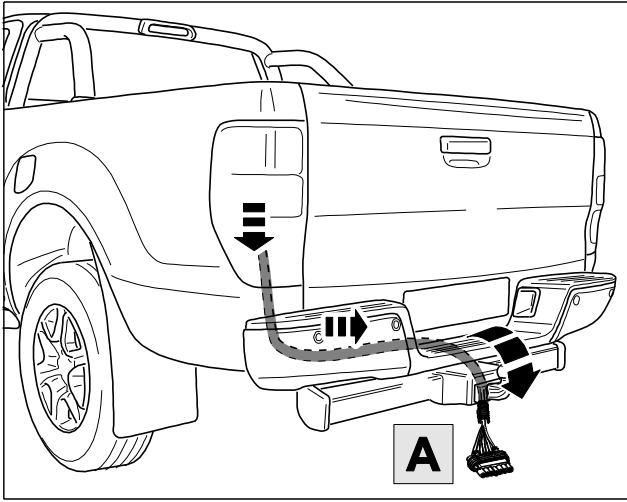
1



2



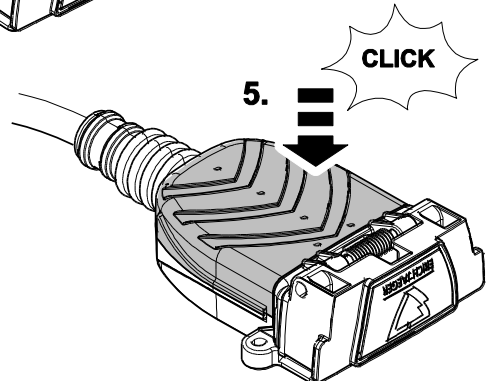
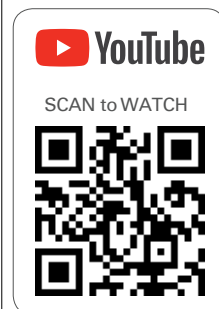
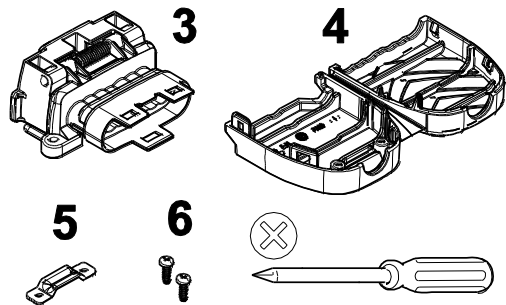
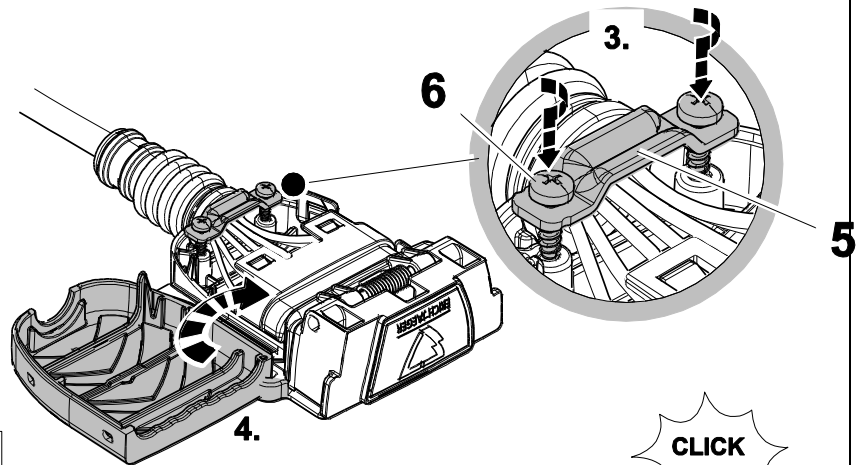
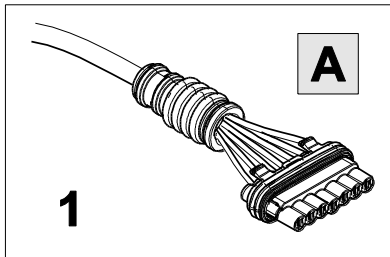
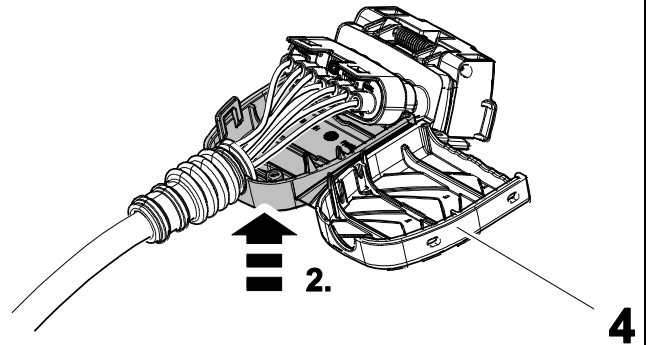
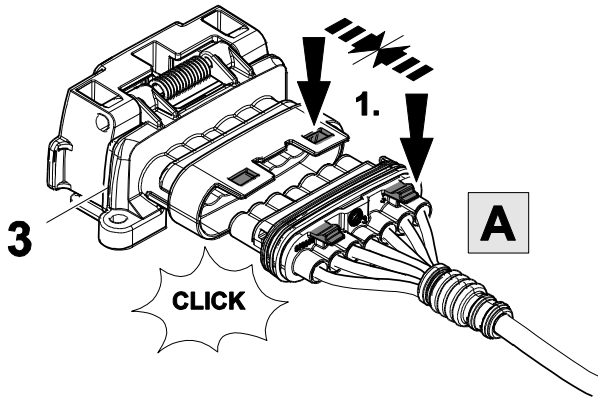
3



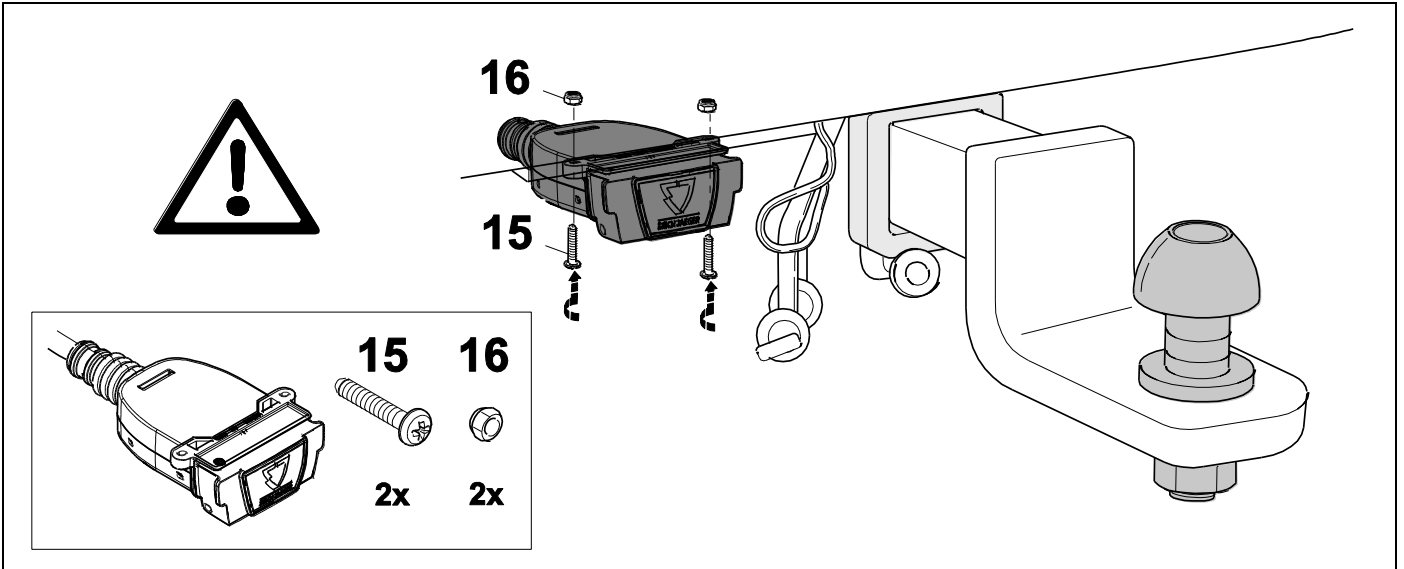
4



6



5



6

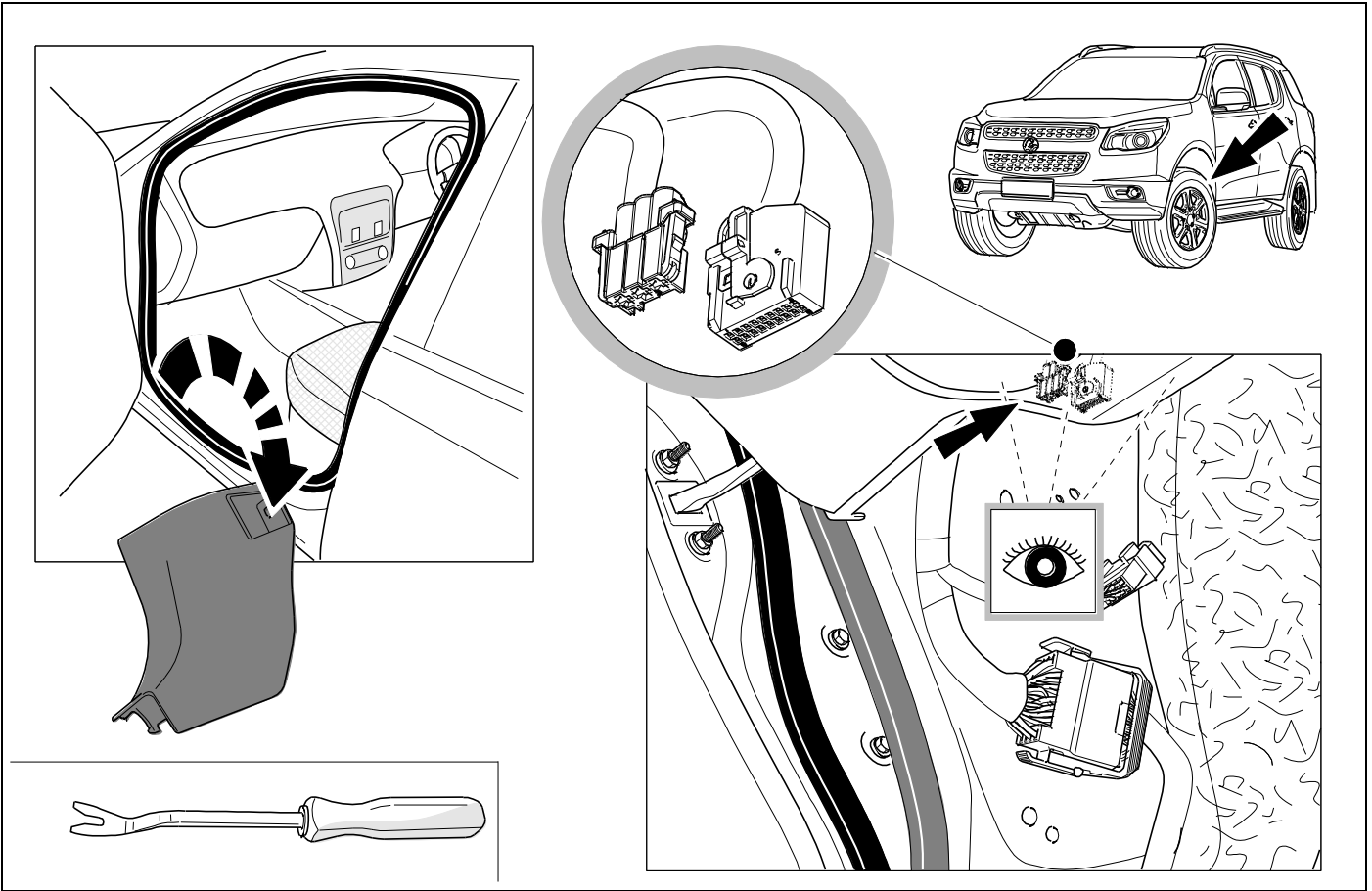


7

1	ye	
2	bk	
3	wh	
4	gn	
5	bu	
6	rd	
7	bn	

7	bk	wh	gy	gn	rd	bu	ye	bn	pu	or	no
	black	white	grey	green	red	blue	yellow	brown	purple	orange	not occupied

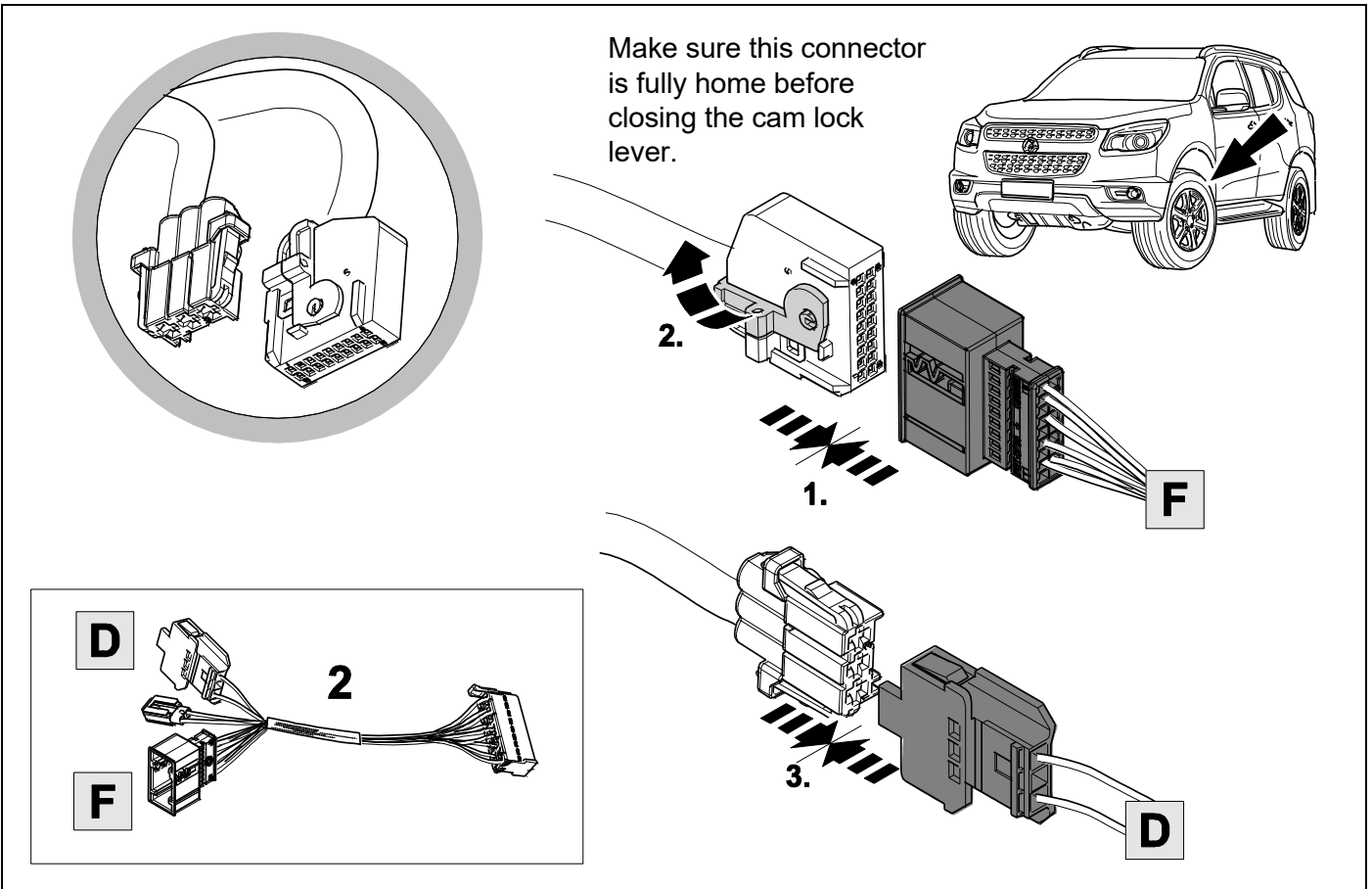
8

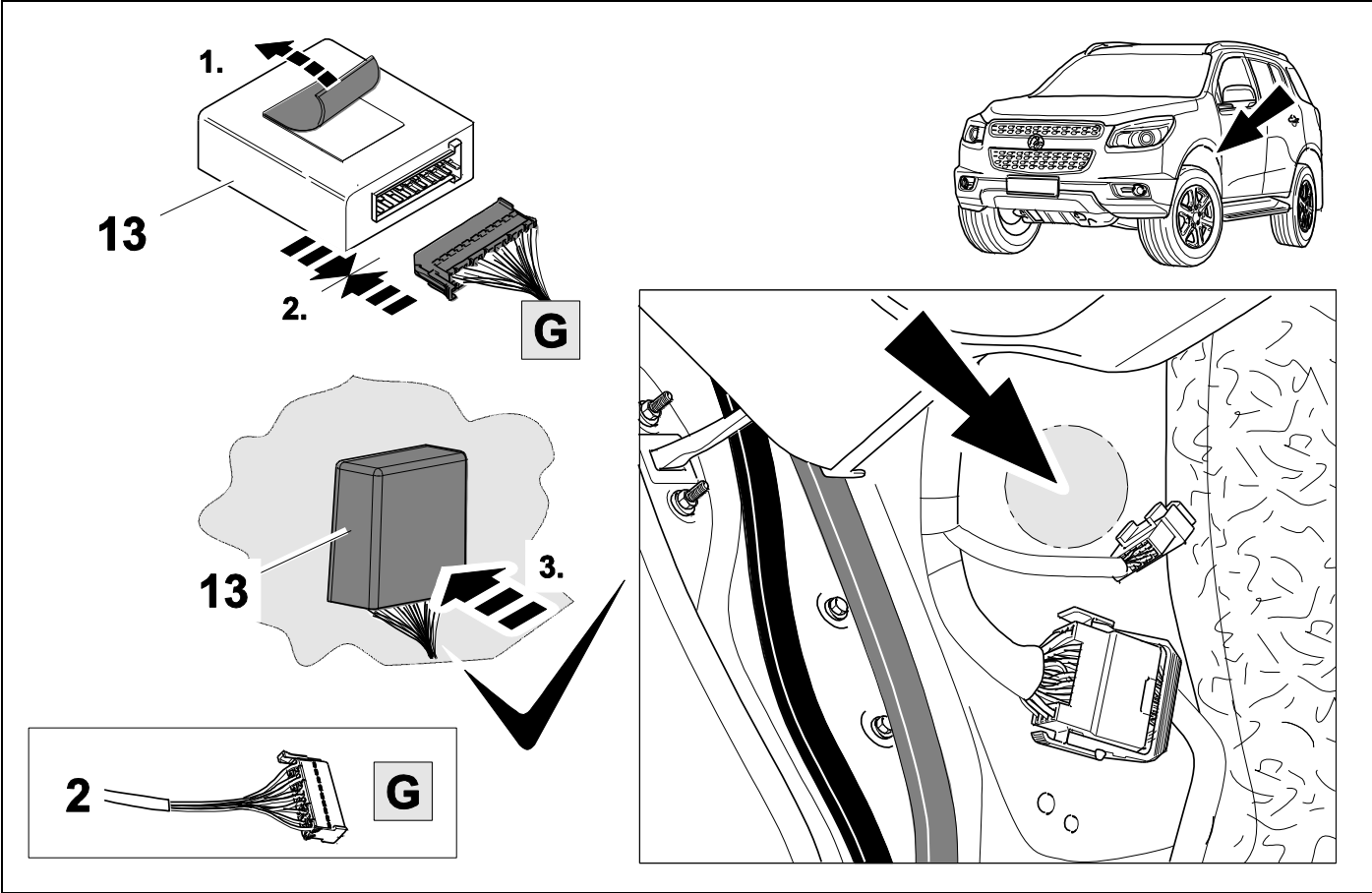


9



14





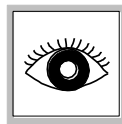
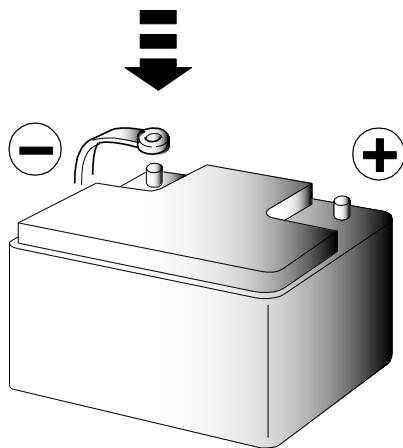
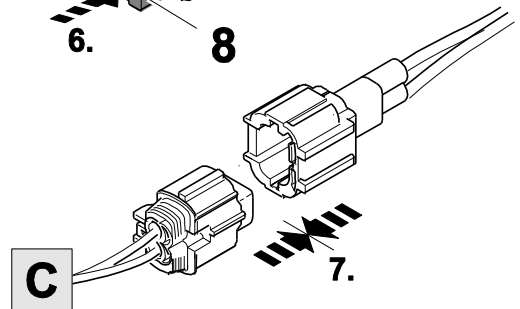
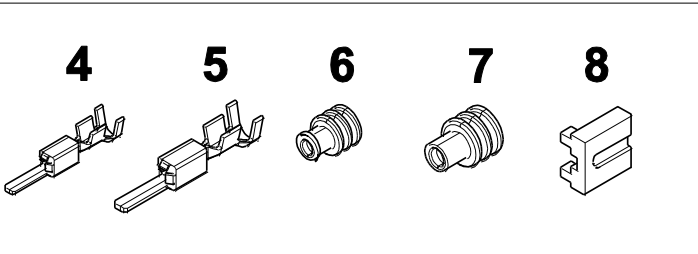
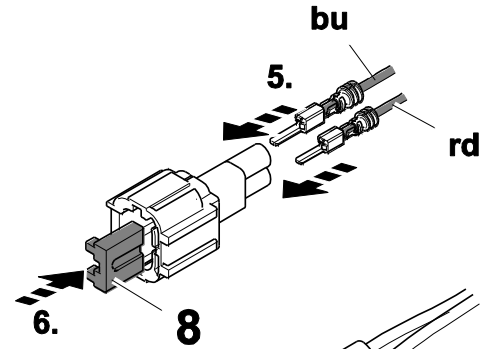
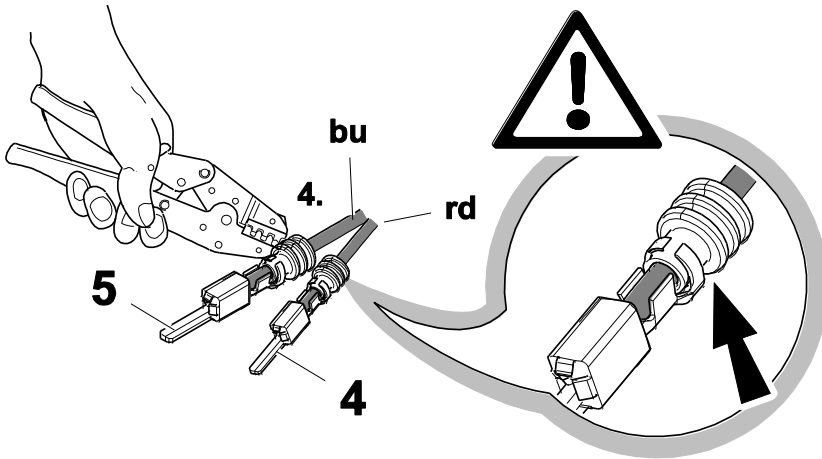
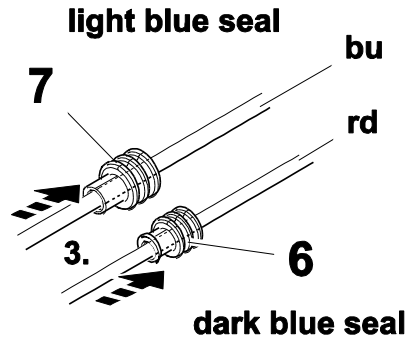
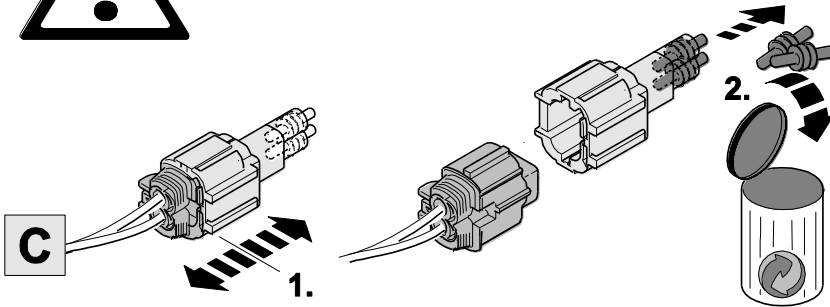




# Trailer Brake Preparation

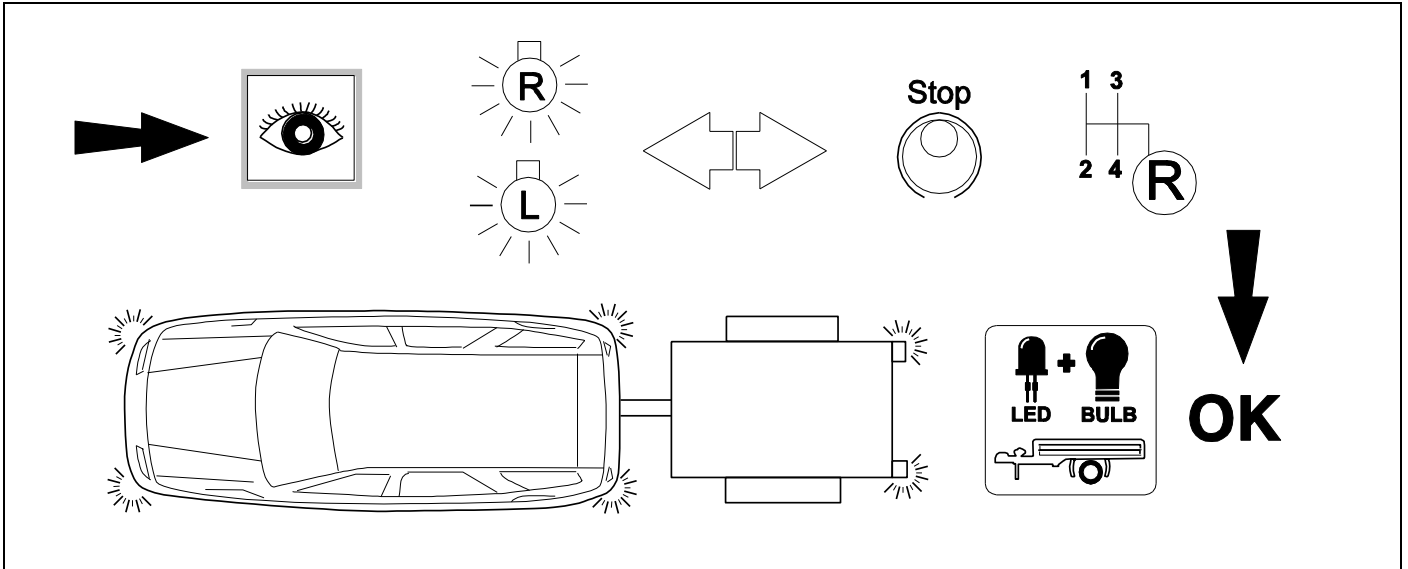
APPROVED, TESTED AND CERTIFIED TO BE USED WITH THE SPECTRUM BRAKE CONTROLLER.

USE OUR BRAKE CONTROLLER CONNECTION HARNESS 529007



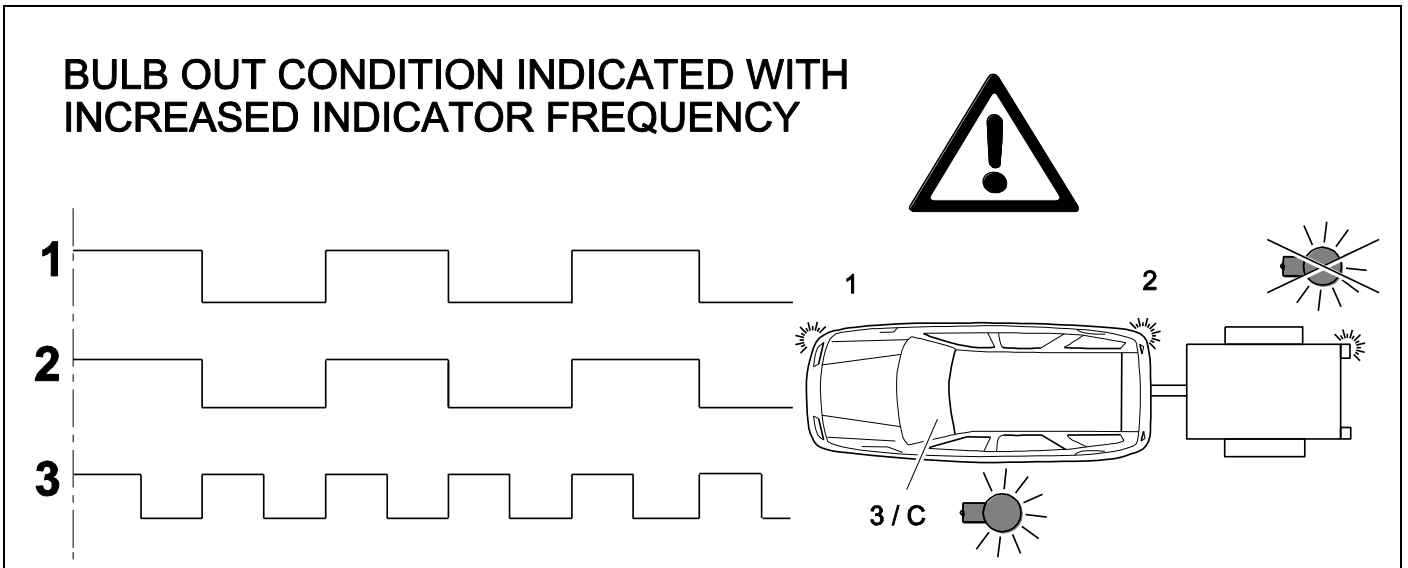
13

# CHECK ALL LIGHTING FUNCTIONS



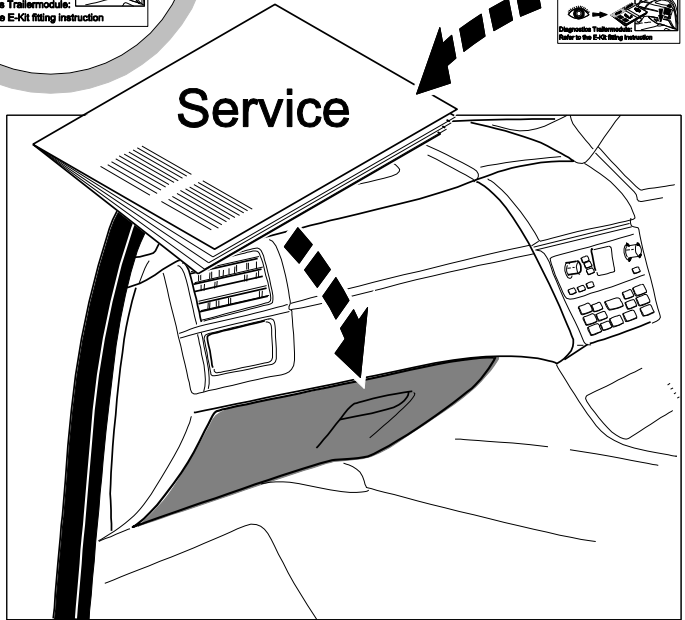
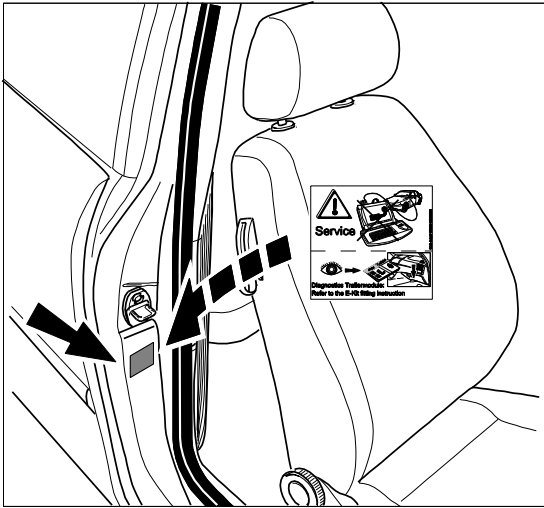
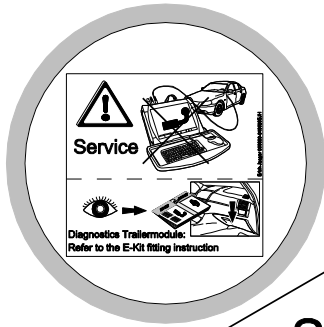
14

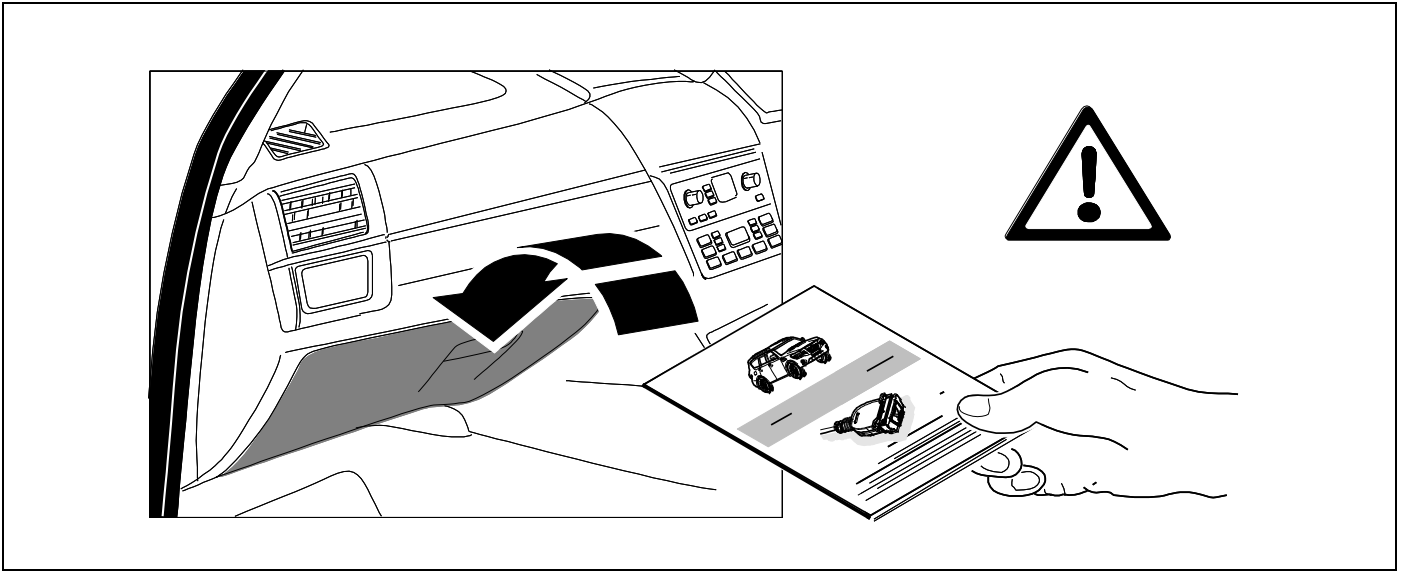
# CHECK BULB OUT DETECTION





2x 9





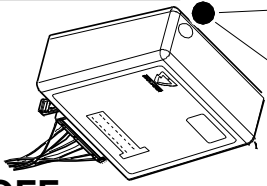
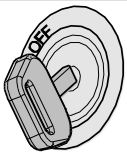
Subject to change in terms of construction, equipment and colour, and may contain errors.  
The information and illustrations are non-binding.

Scan this for our full E-Kit catalogue



# Status LED for self-diagnosis

## Operation Support



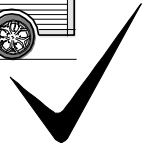
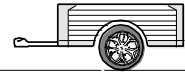
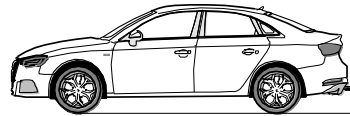
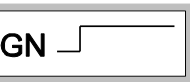
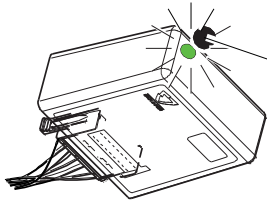
No CAN-Data =



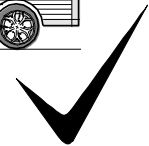
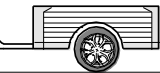
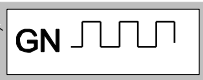
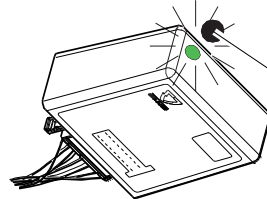
Standby / Sleepmode



Ignition OFF



Ignition ON



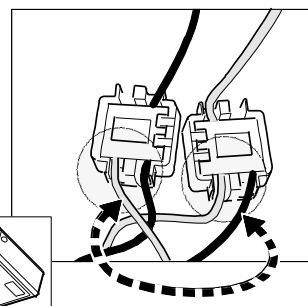
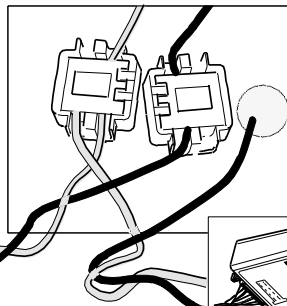
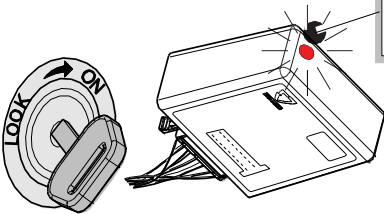
Ignition ON

## Failure Support

CAN-Data Wire

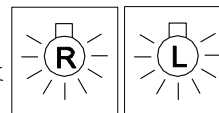


1x max. 5 min.

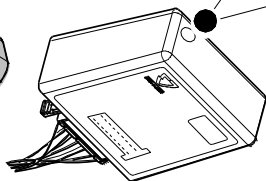


Ignition ON

Failure indicated by the module LED glowing red for a maximum of 5 minutes. If trailer connected the tail lights will also glow indicating failure of CAN signal.



Ignition ON



or

