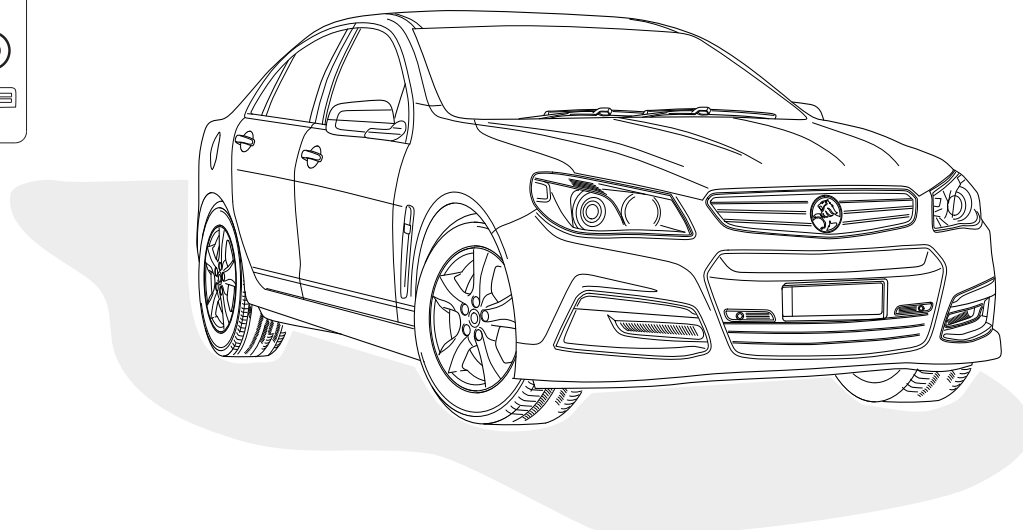
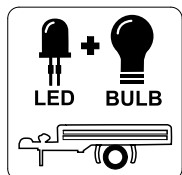




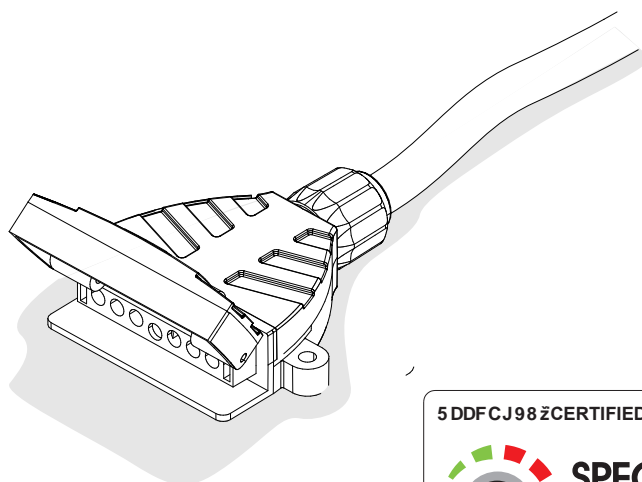
ERICH JAEGER



HOLDEN VF Sedan

07/13 >>

750040



Installation instructions

Reference:

The following information must be reviewed before beginning the assembly:

The installation instructions are to be thoroughly read.

The installation should be carried out by qualified personnel with the relevant technical knowledge. The vehicle manufacturers' current technical notices and information on retrofitting must be followed. The removal and replacement instructions found in the current repair manuals must be followed.

It must be ensured that the vehicle is technically suitable for the installation of a trailer hitch.

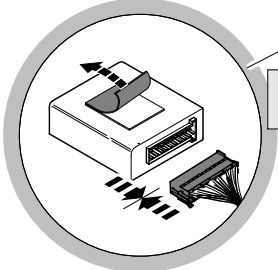
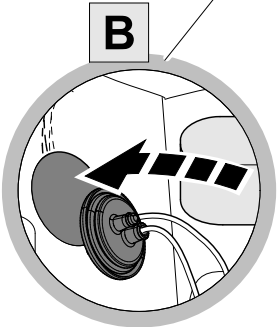
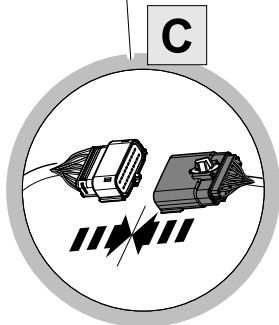
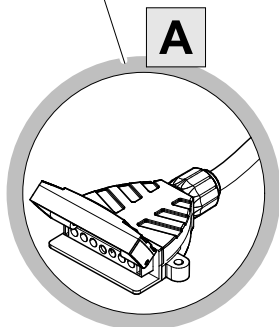
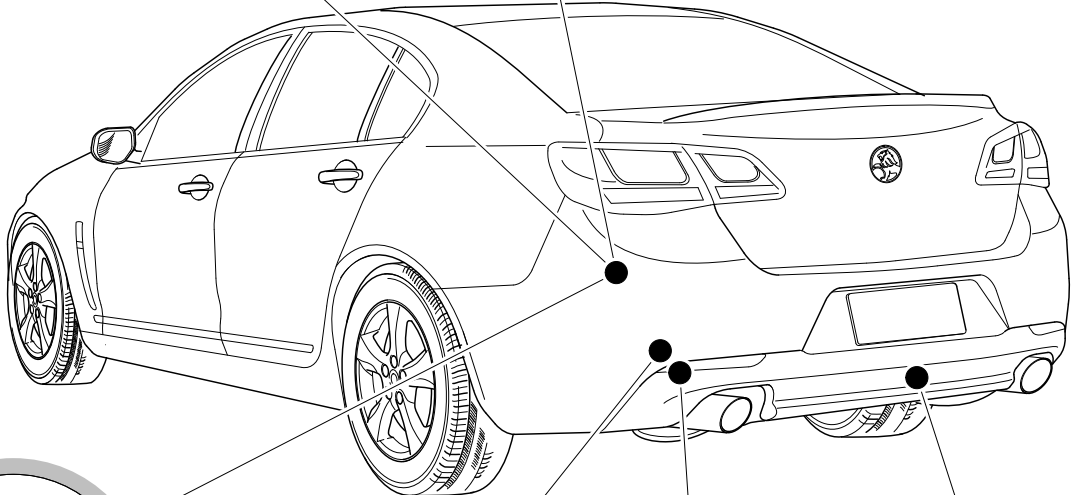
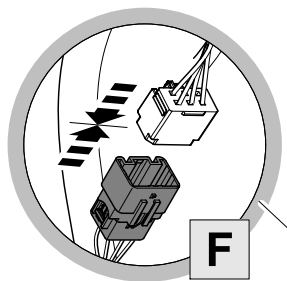
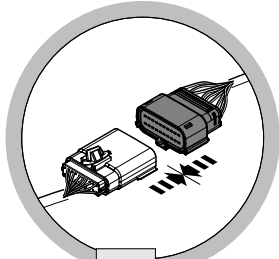
5 DDFCJ98 ZCERTIFIED AND TESTED WITH



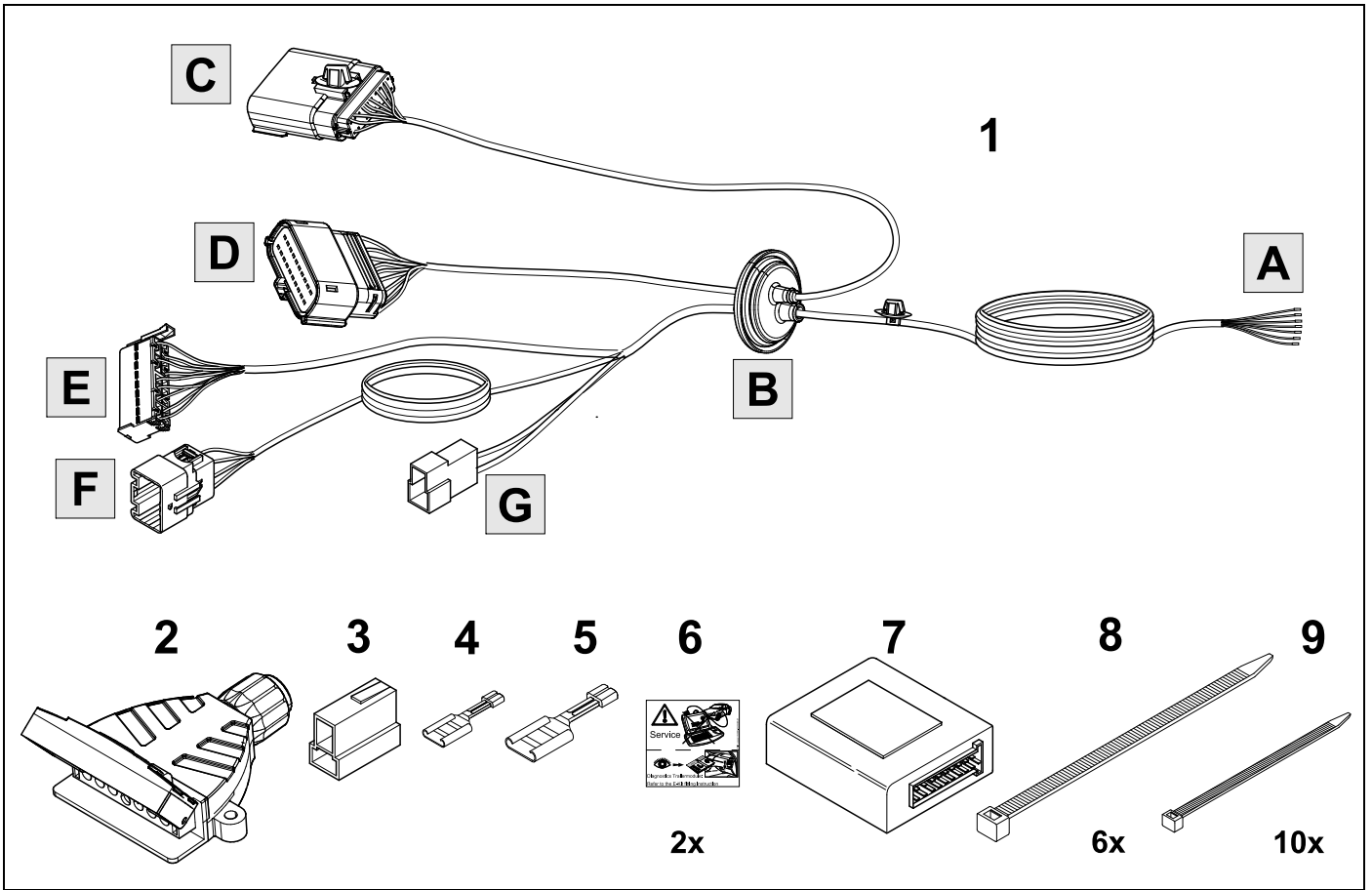
**SPECTRUM™
BRAKE CONTROL**



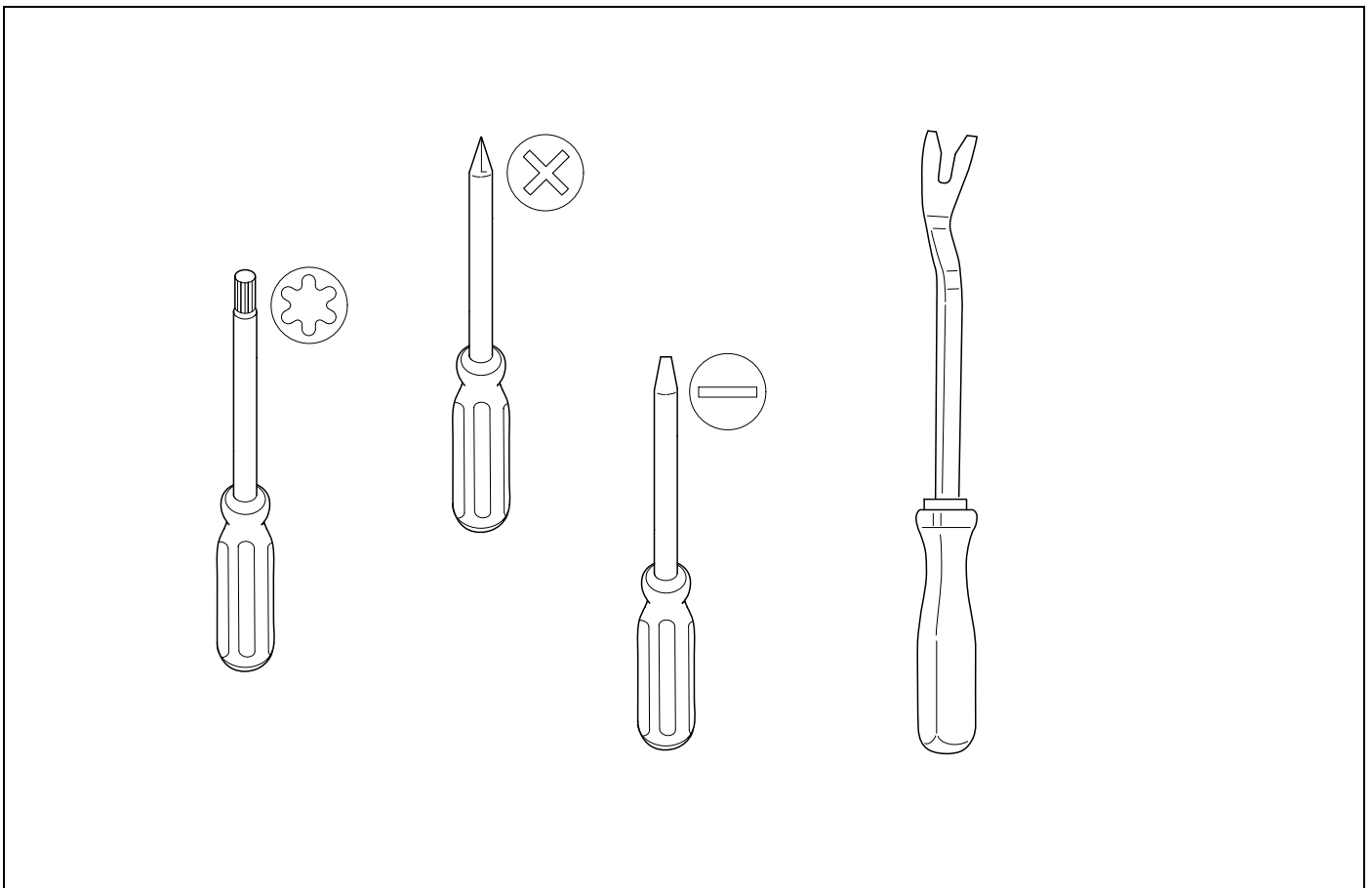
**trailer
breakout connector**



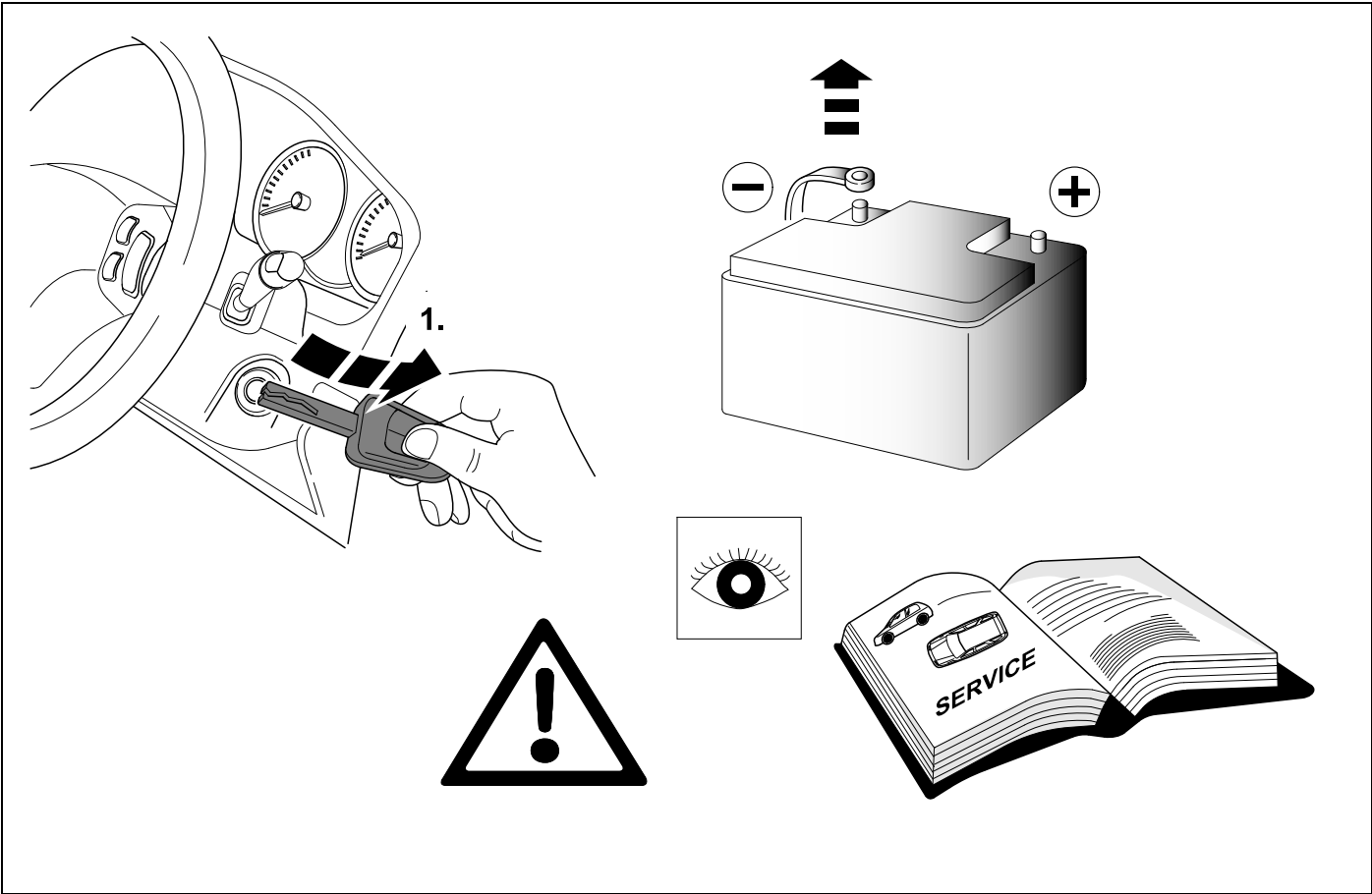
KIT



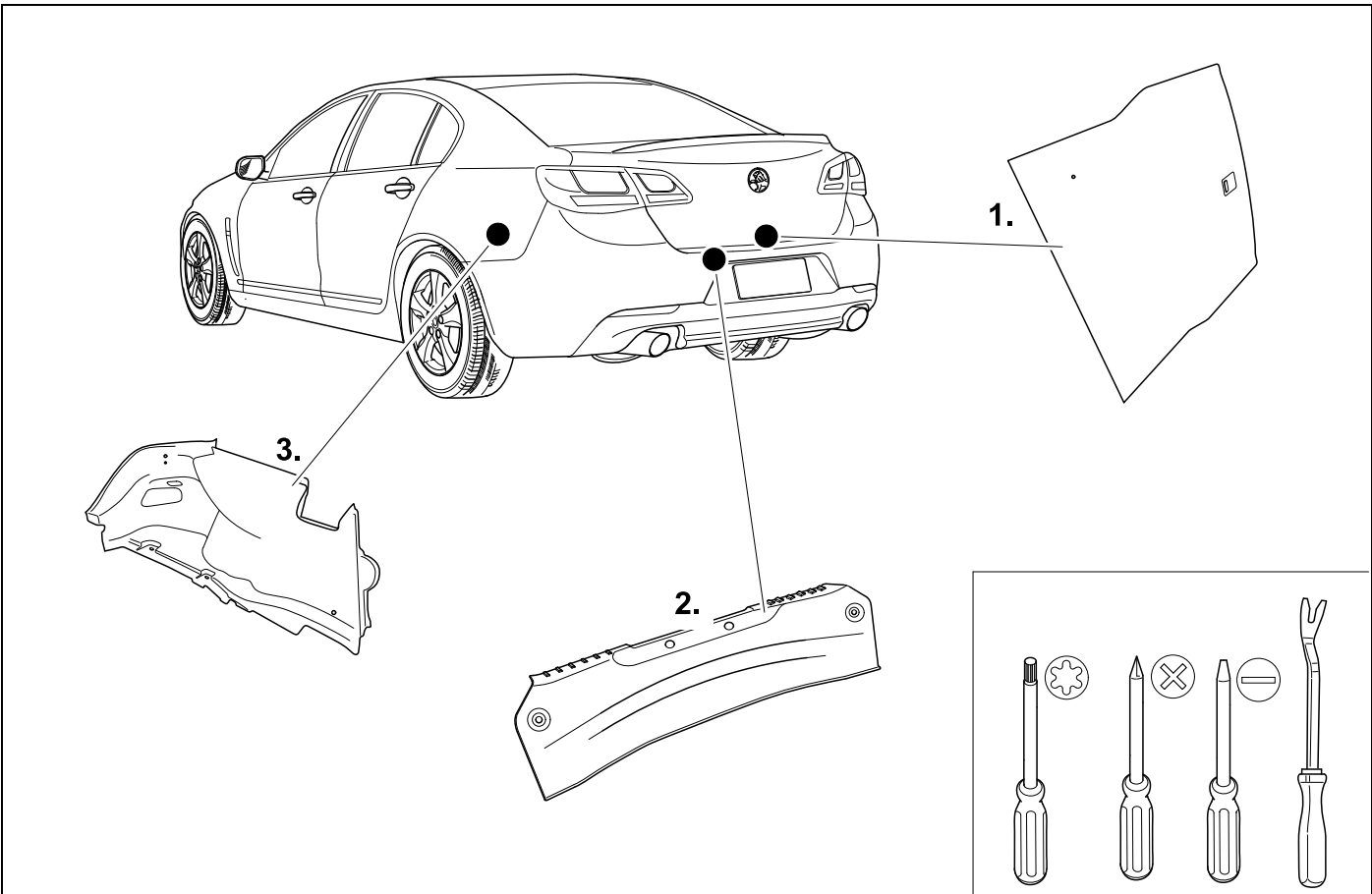
TOOLS



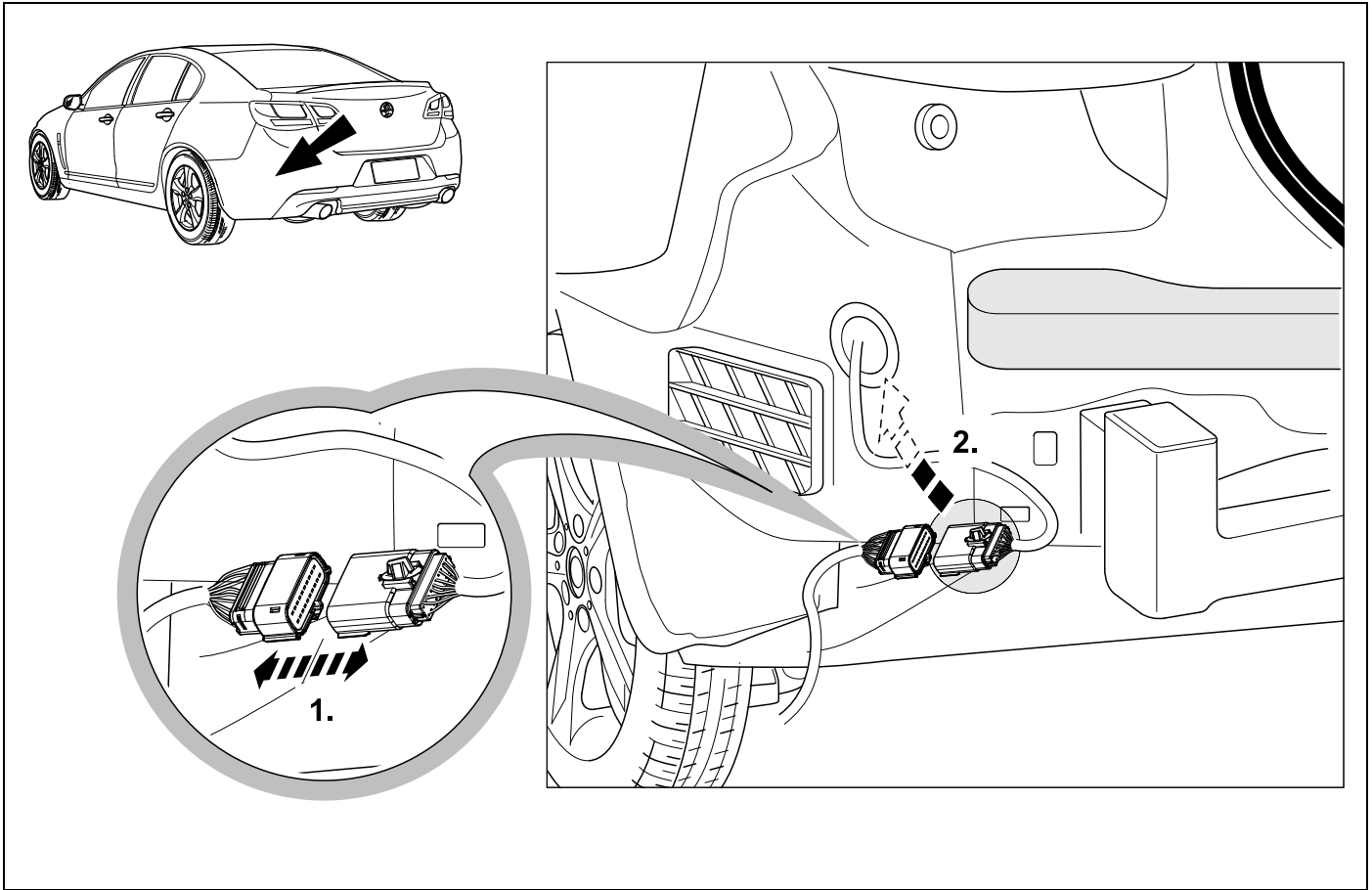
1



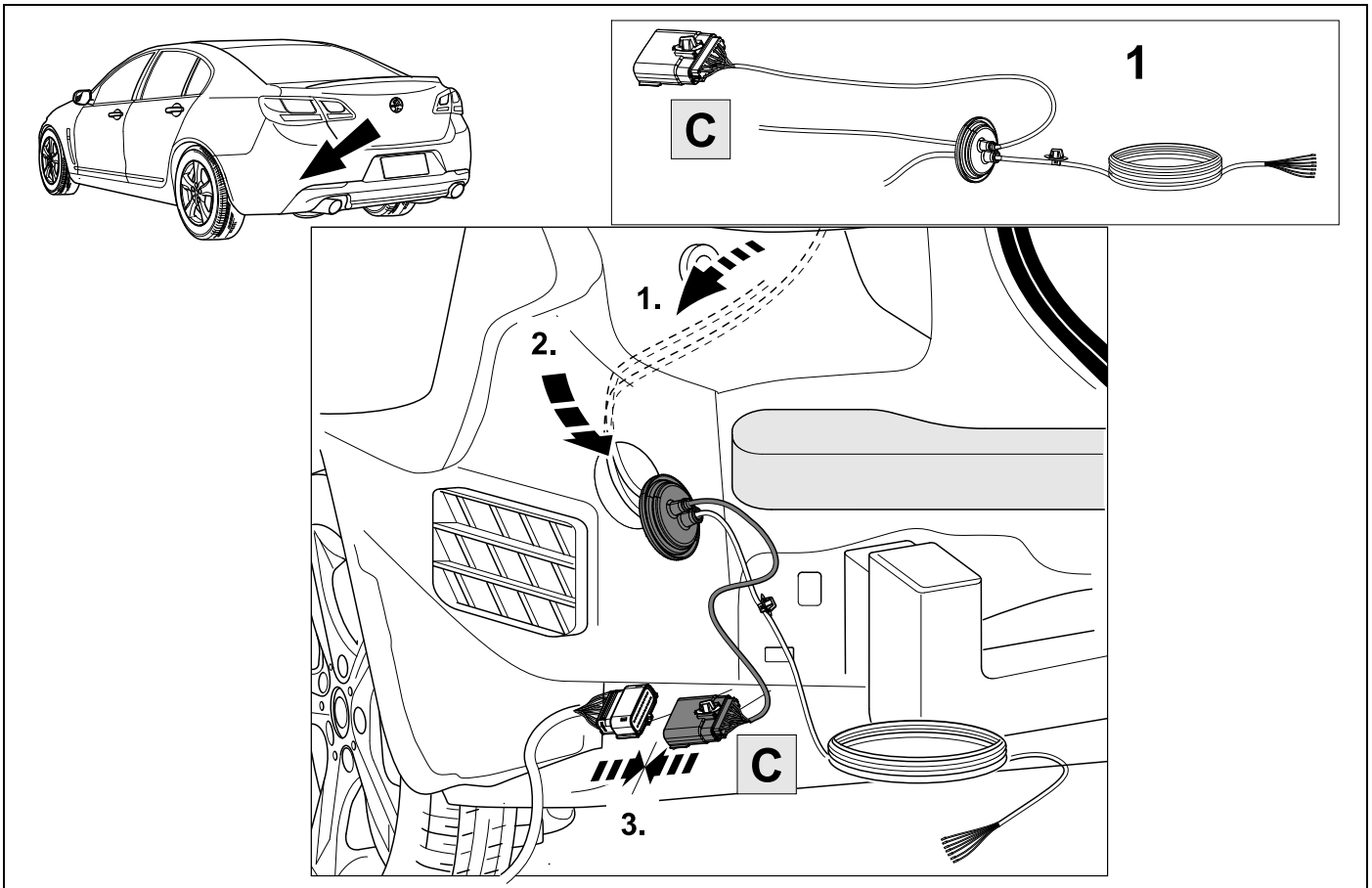
2



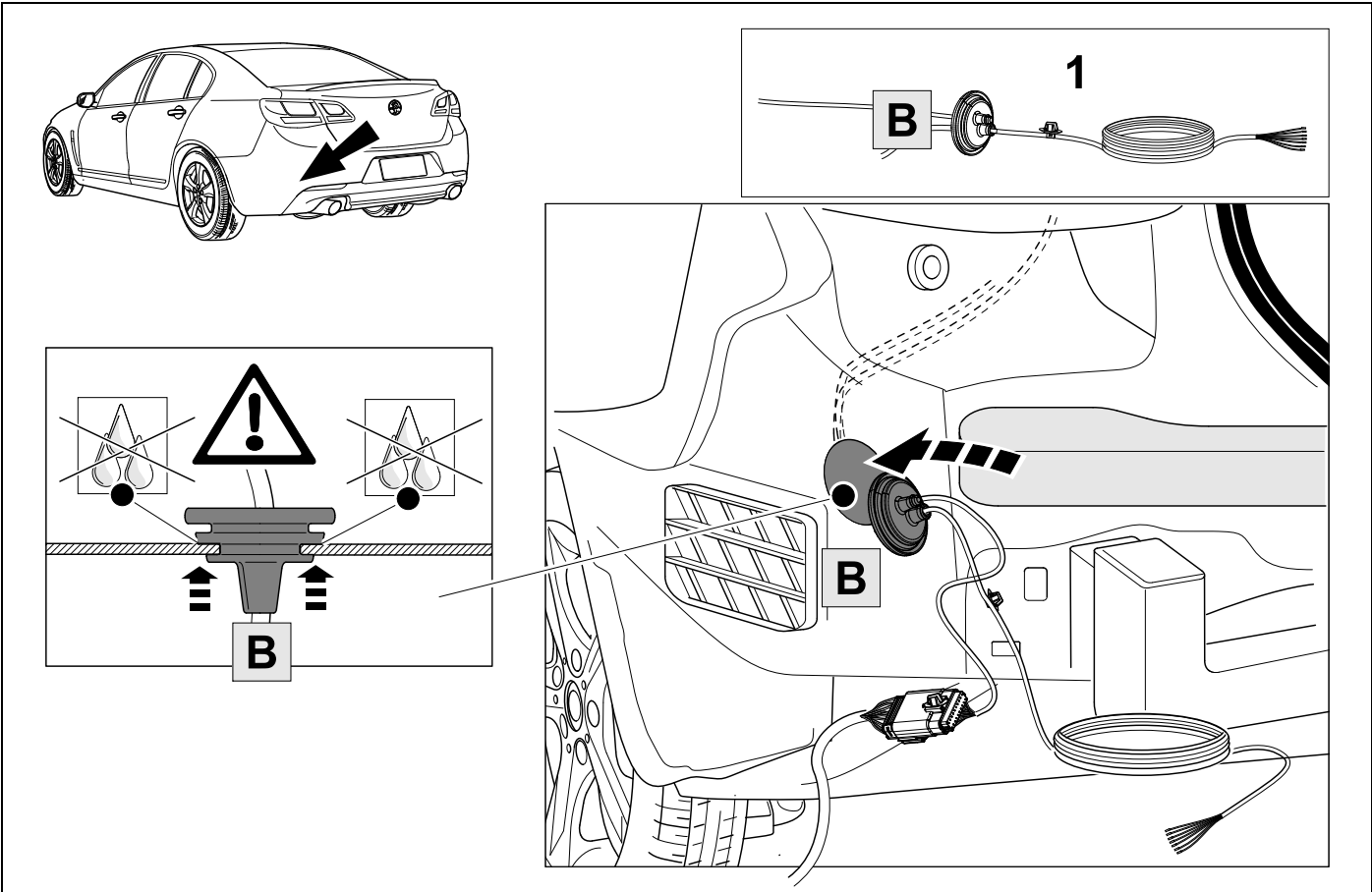
3



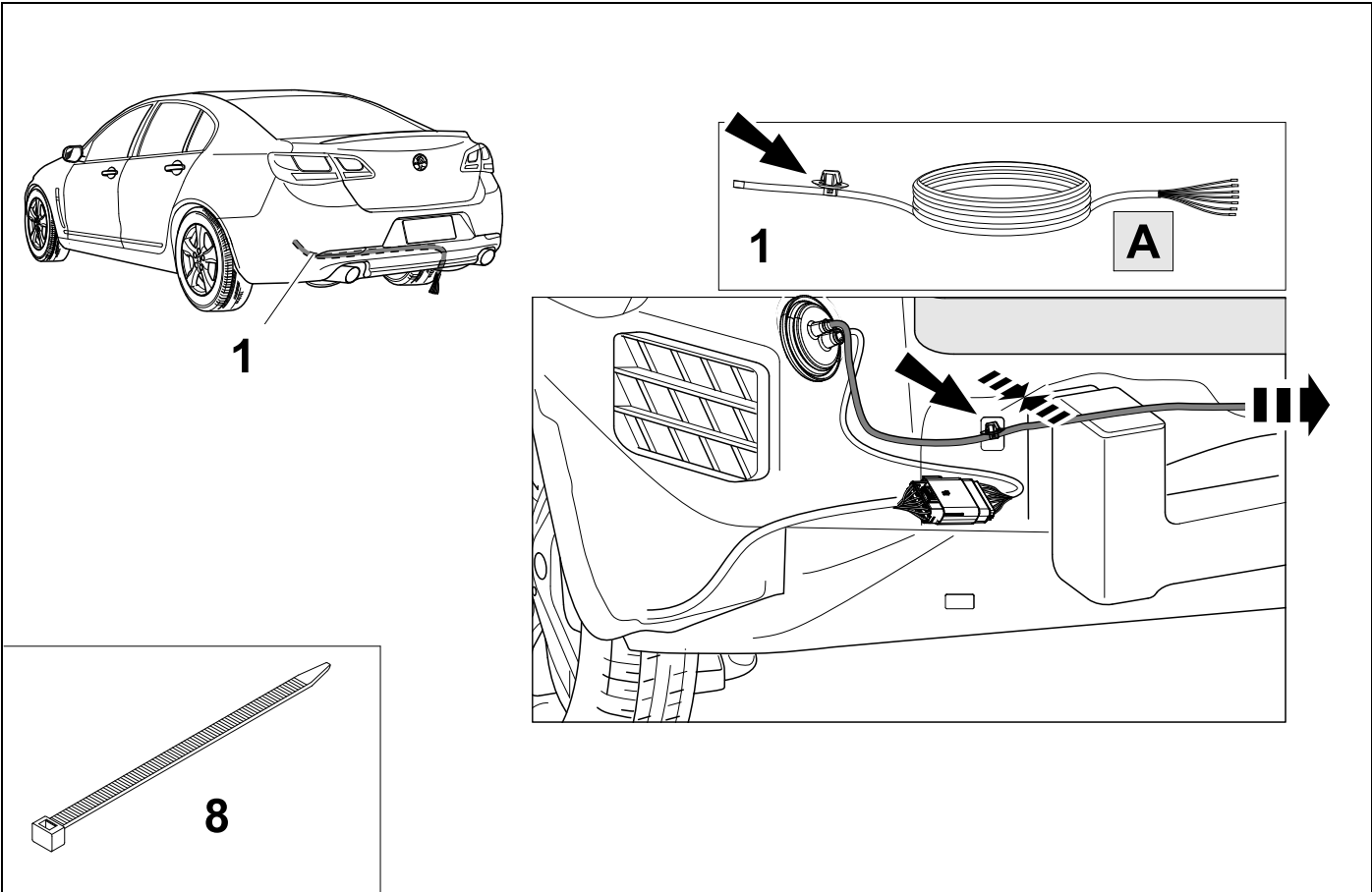
4

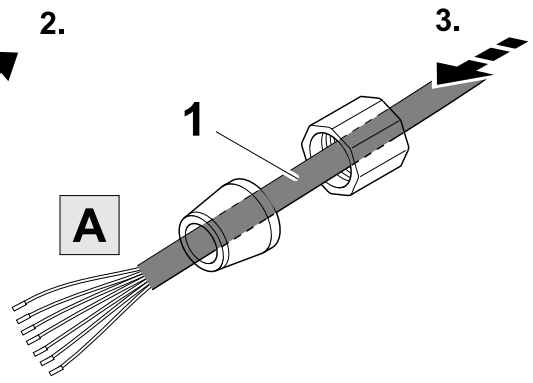
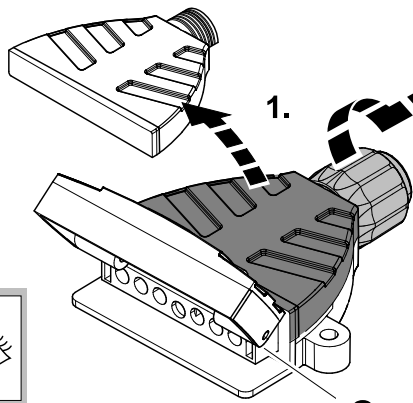
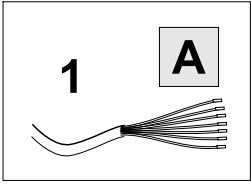
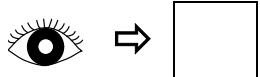


5

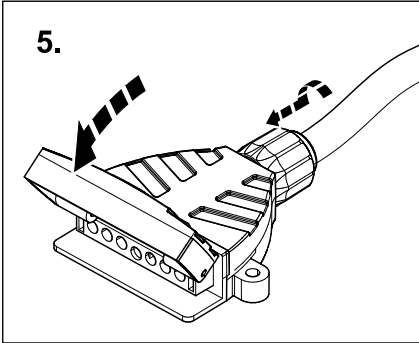
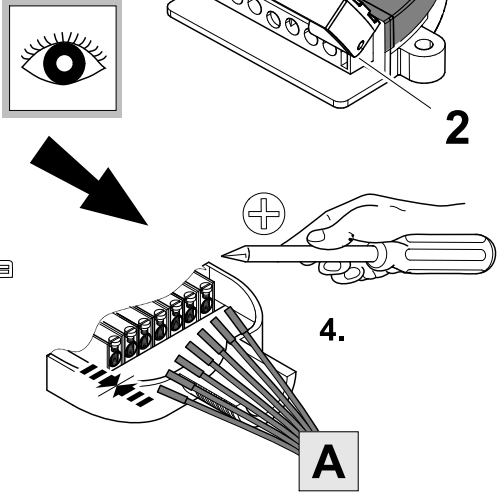


6

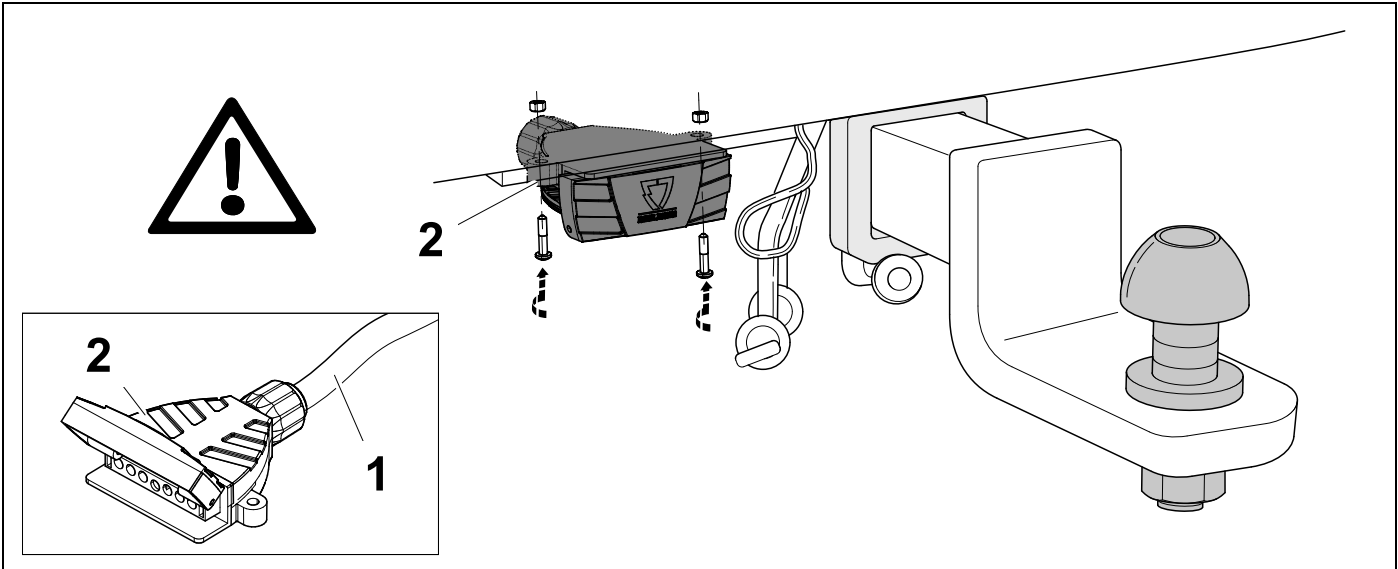




gn	4	
bn	7	
bk	2	
wh	3	
bu	5	
rd	6	
ye	1	



8



9

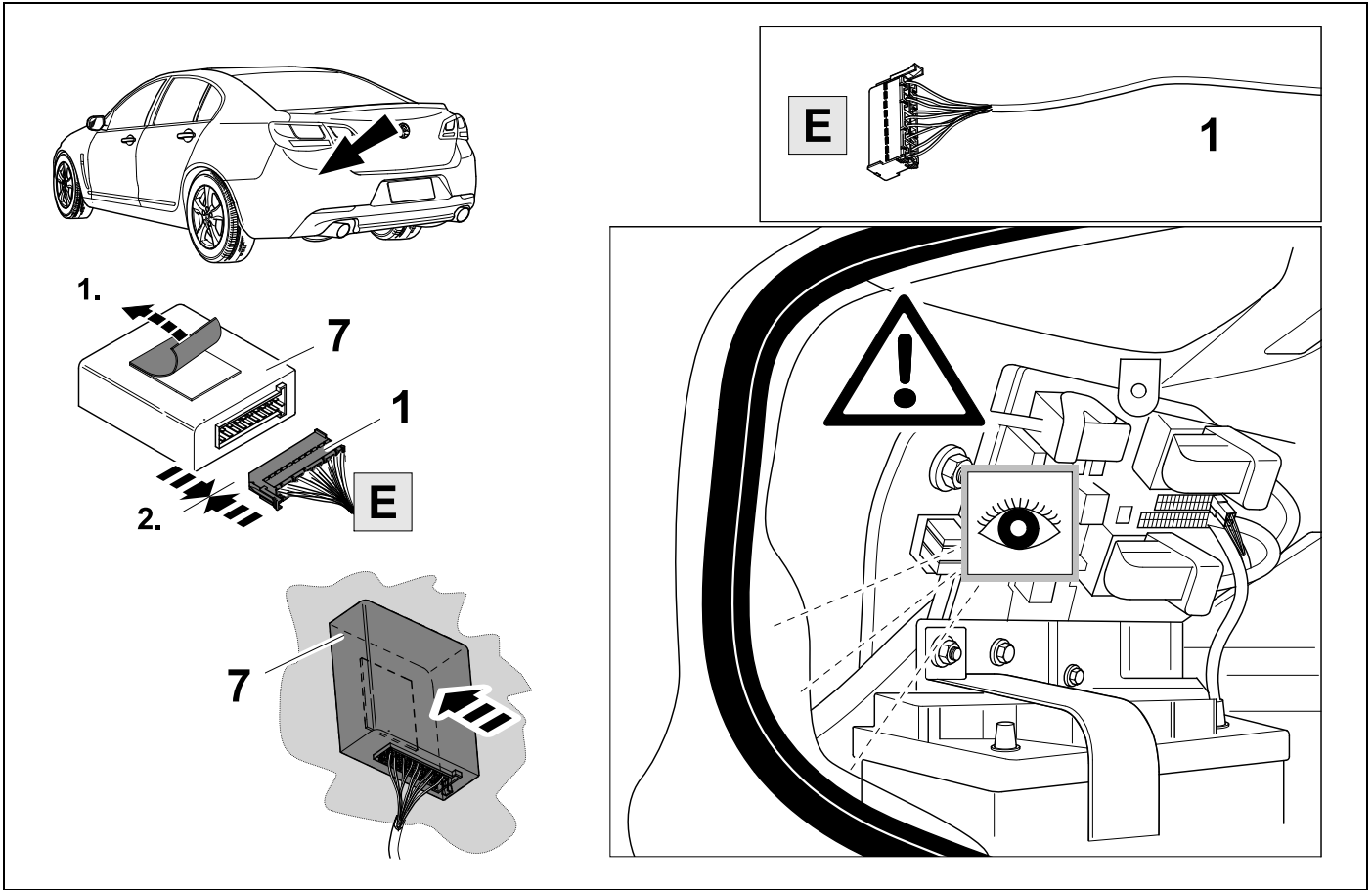


1	ye	
2	bk	
3	wh	
4	gn	
5	bu	
6	rd	
7	bn	

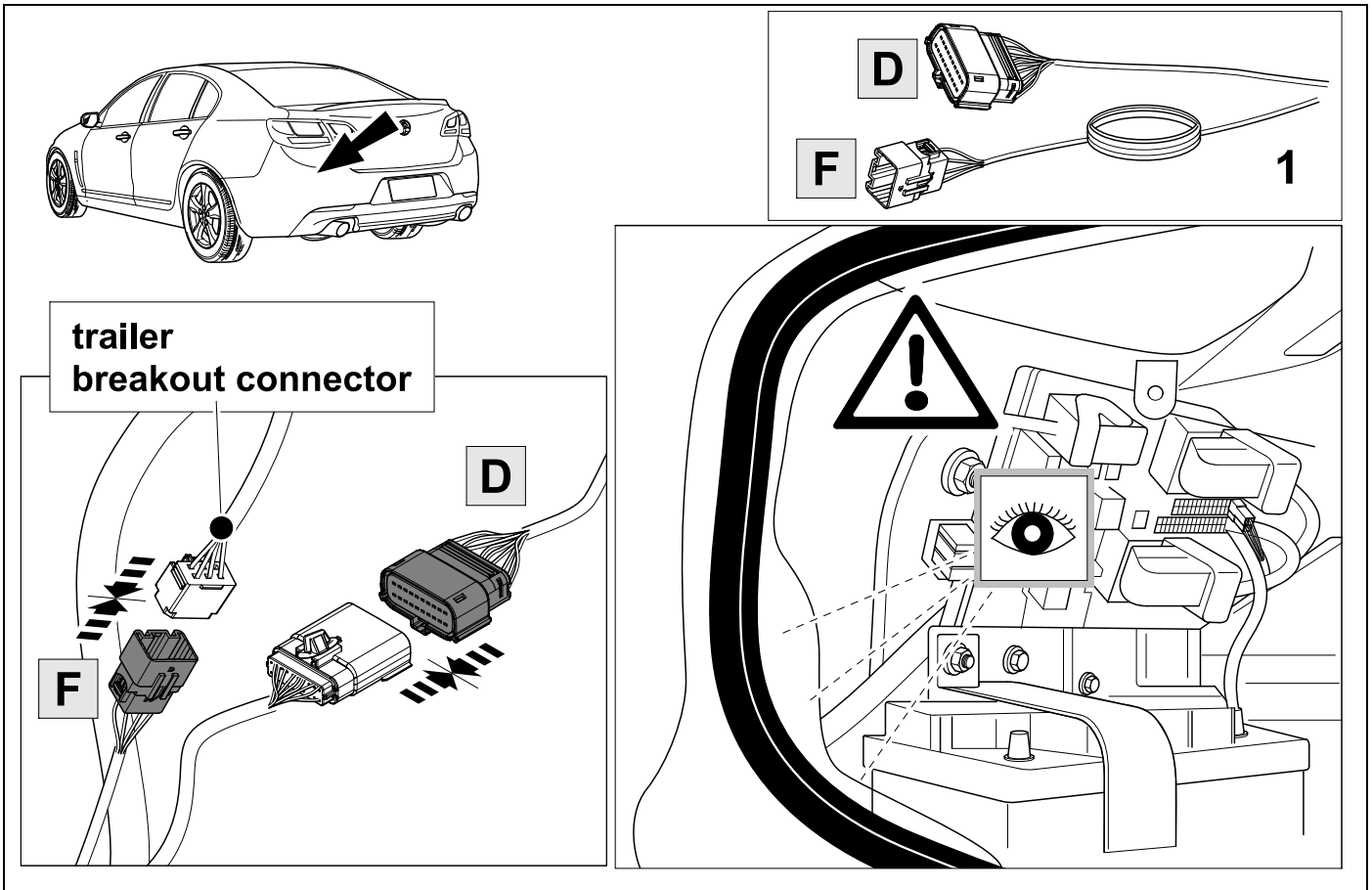
10	bk	wh	gy	gn	rd	bu	ye	bn	pu	or	no
----	----	----	----	----	----	----	----	----	----	----	----

	black	white	grey	green	red	blue	yellow	brown	purple	orange	not occupied
--	-------	-------	------	-------	-----	------	--------	-------	--------	--------	--------------

11

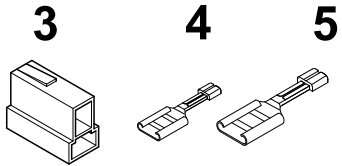
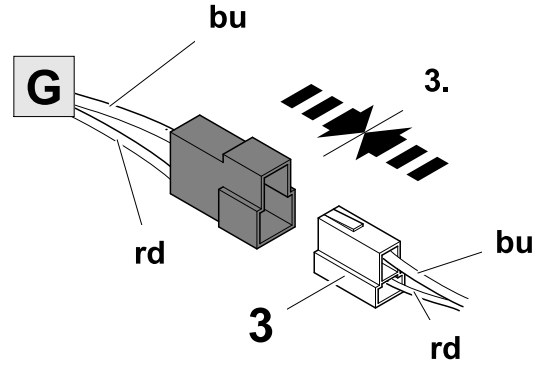
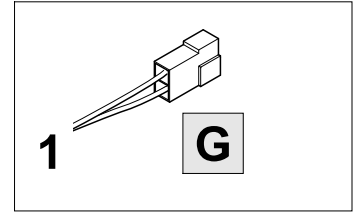
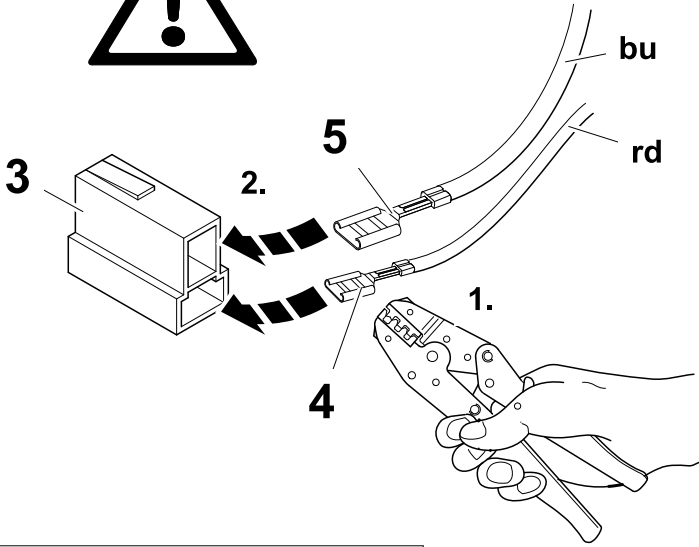


12



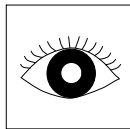
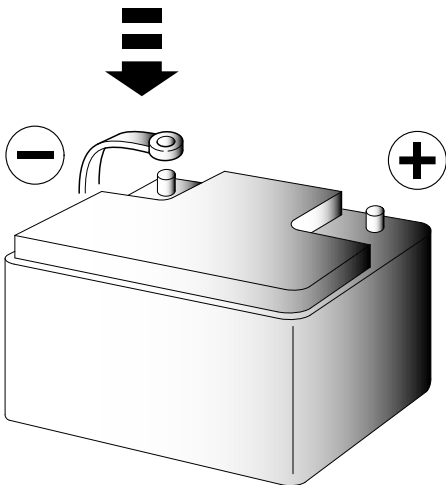


Trailer Brake Preparation



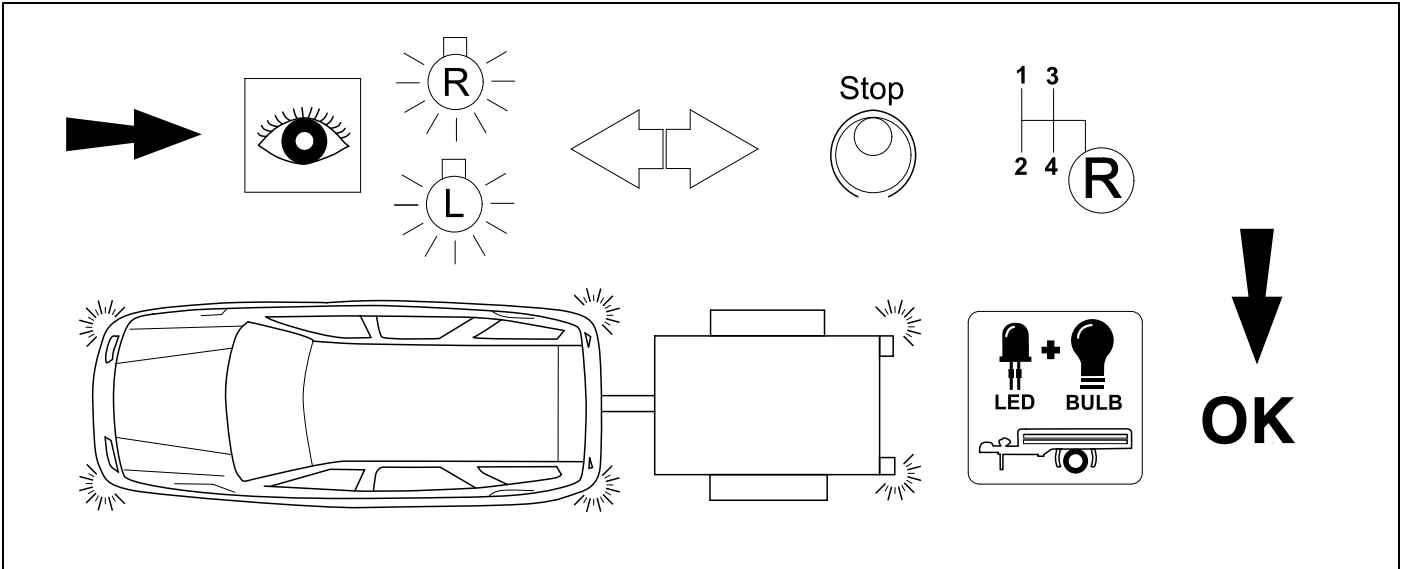
APPROVED, TESTED AND CERTIFIED TO BE USED WITH THE SPECTRUM BRAKE CONTROLLER.

USE OUR BRAKE CONTROLLER CONNECTION HARNESS 529008EJ



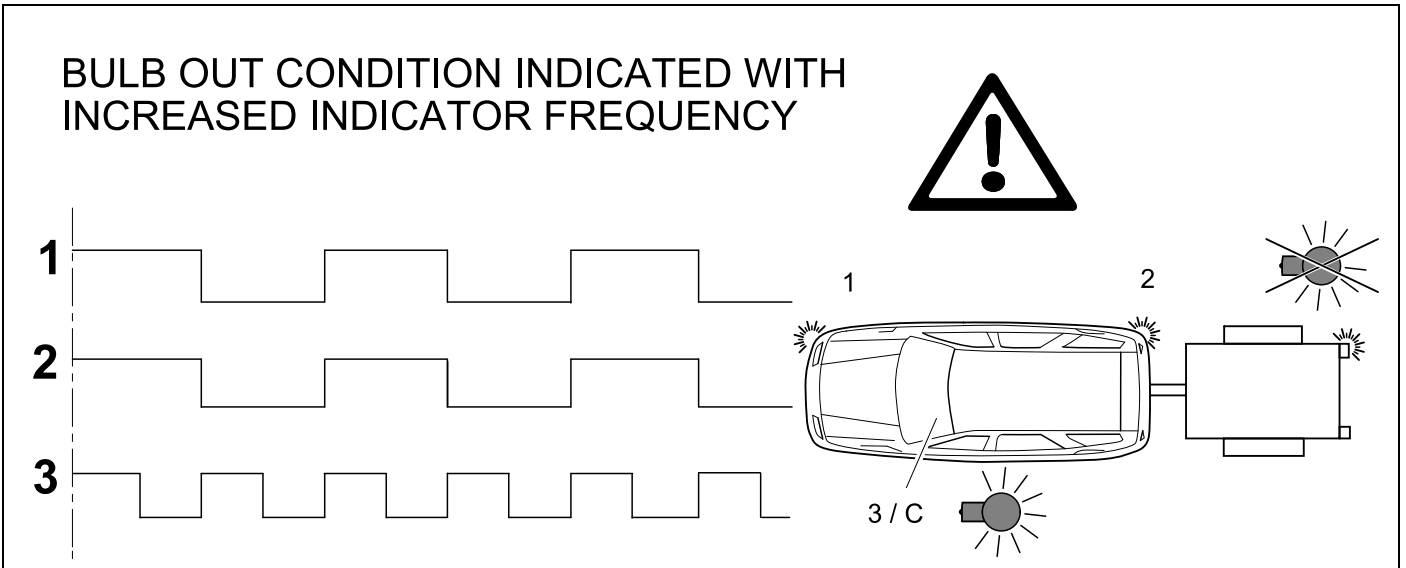
15

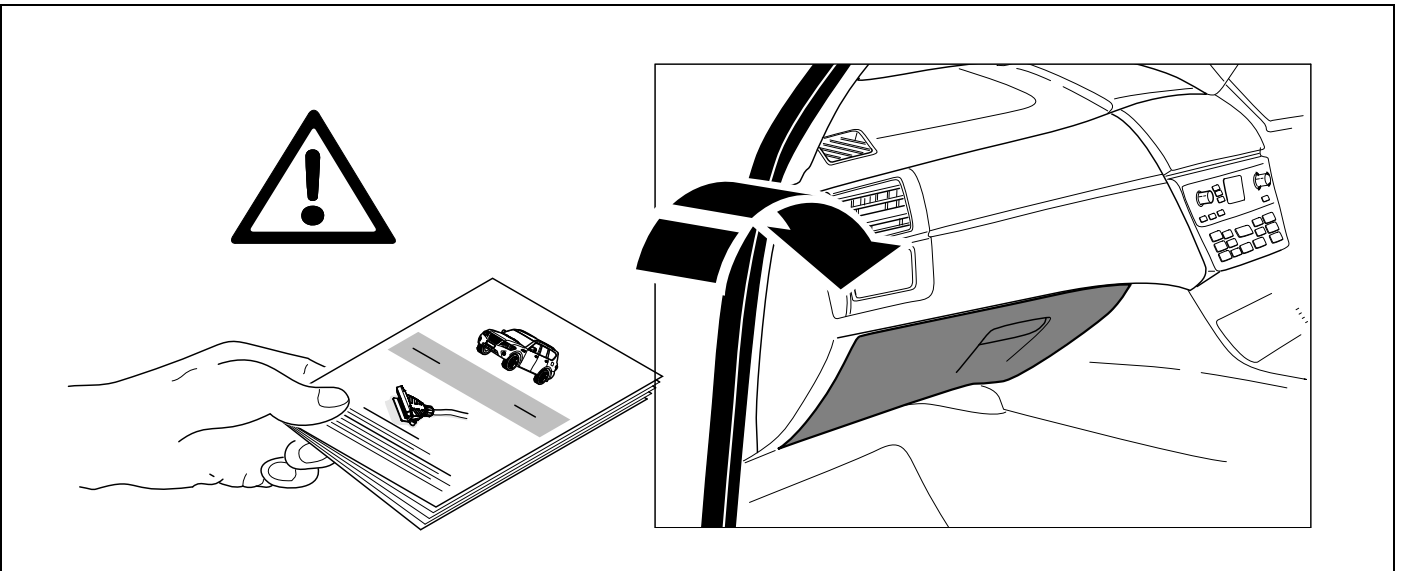
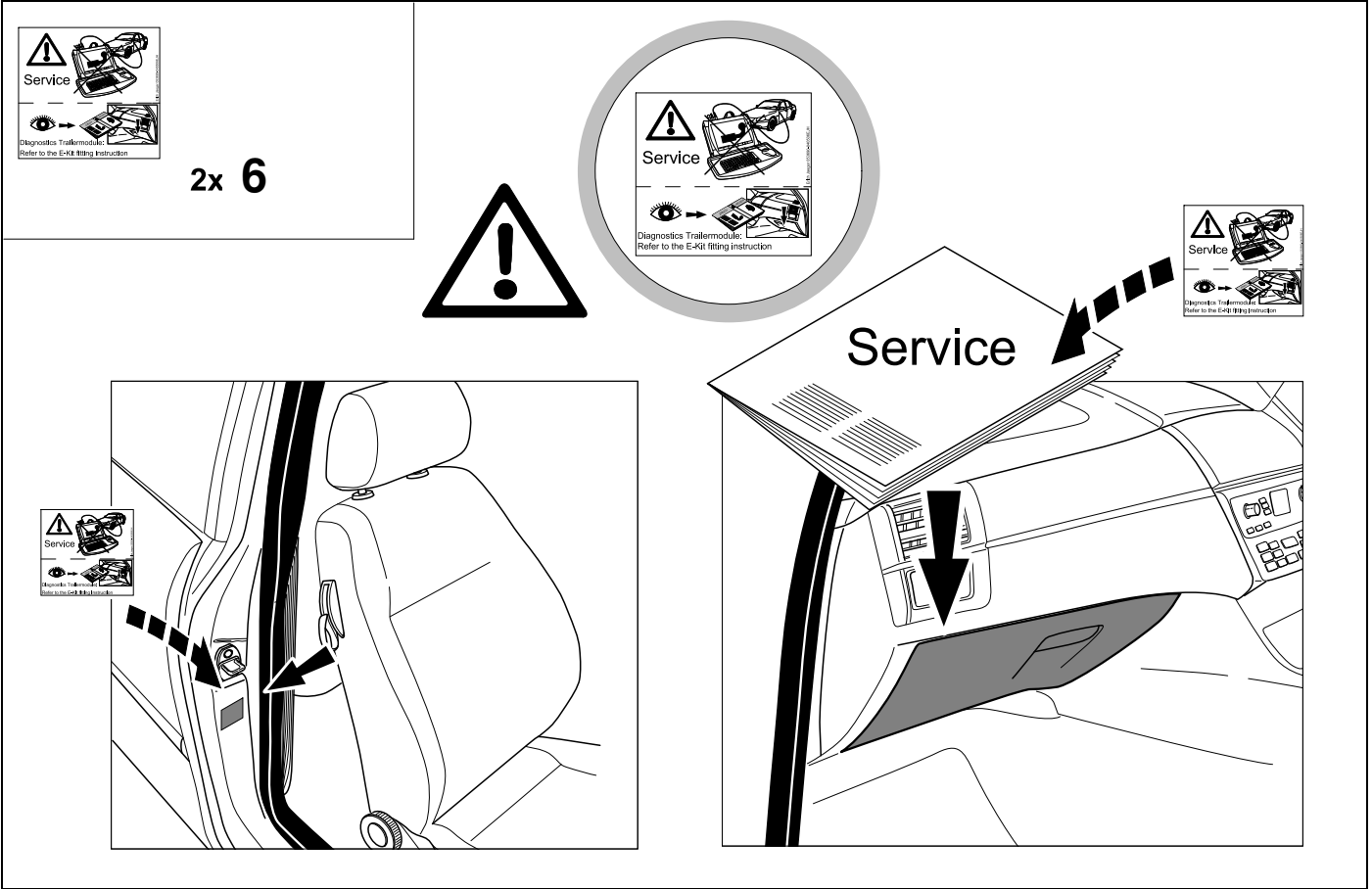
CHECK ALL LIGHTING FUNCTIONS



16

CHECK BULB OUT DETECTION





GB Subject to change in terms of construction, equipment and colour, and may contain errors.
The information and illustrations are non-binding.