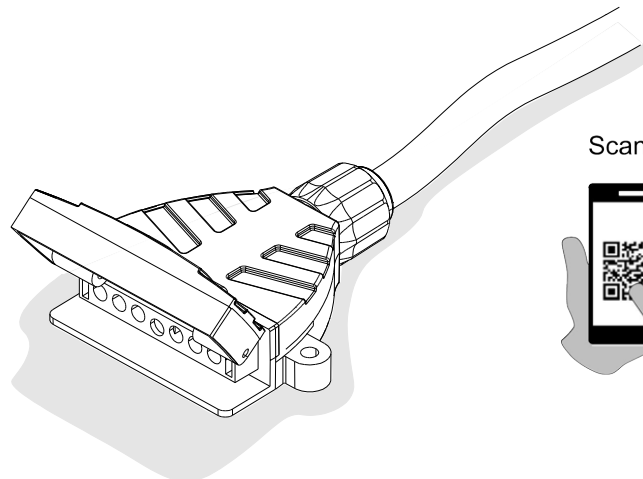


**BMW X2**

**F39**

**03/18 >>**

**750047**



Scan this for our full E-Kit catalogue



## Installation instructions

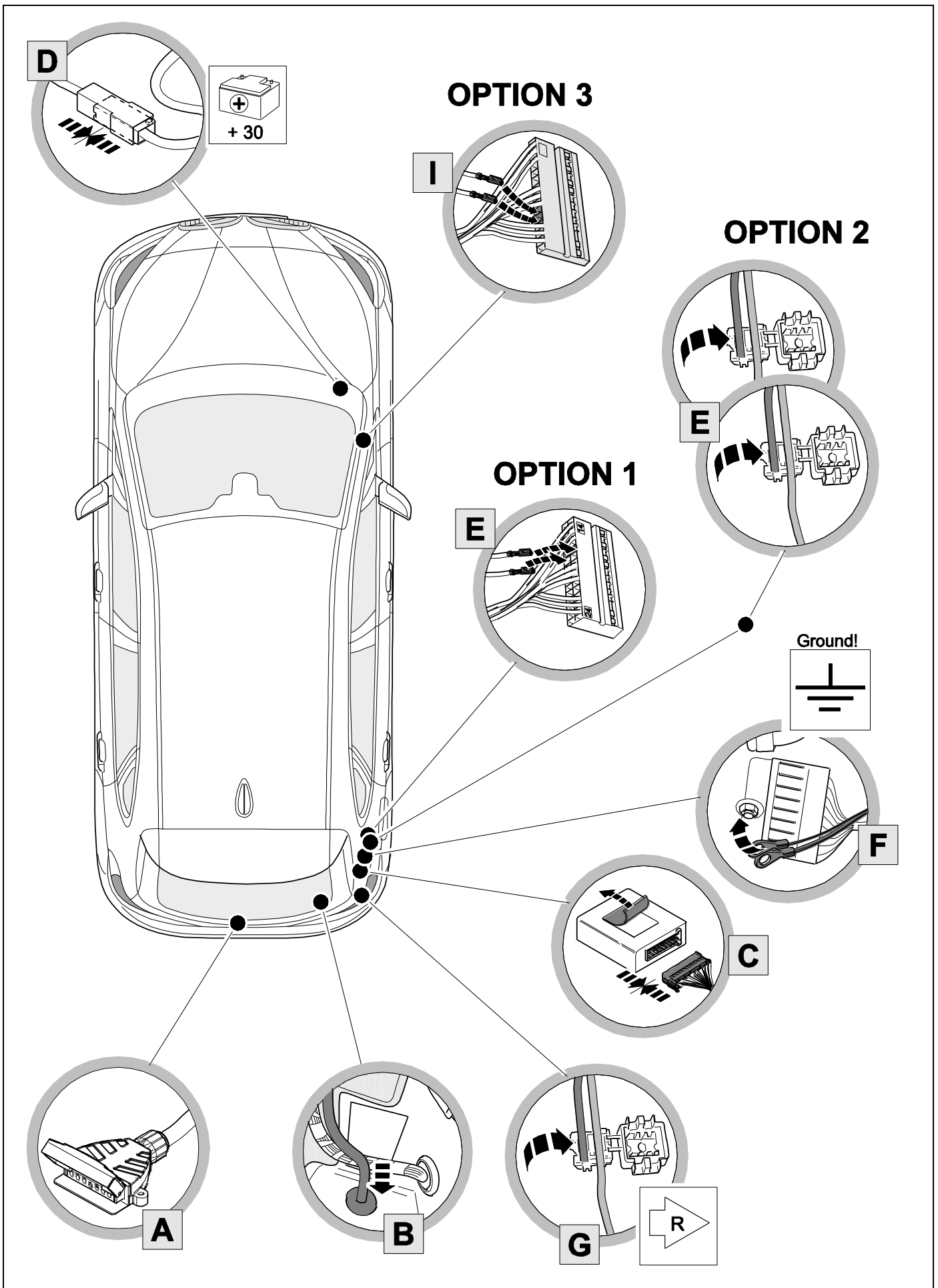
### Reference:

The following information must be reviewed before beginning the assembly:

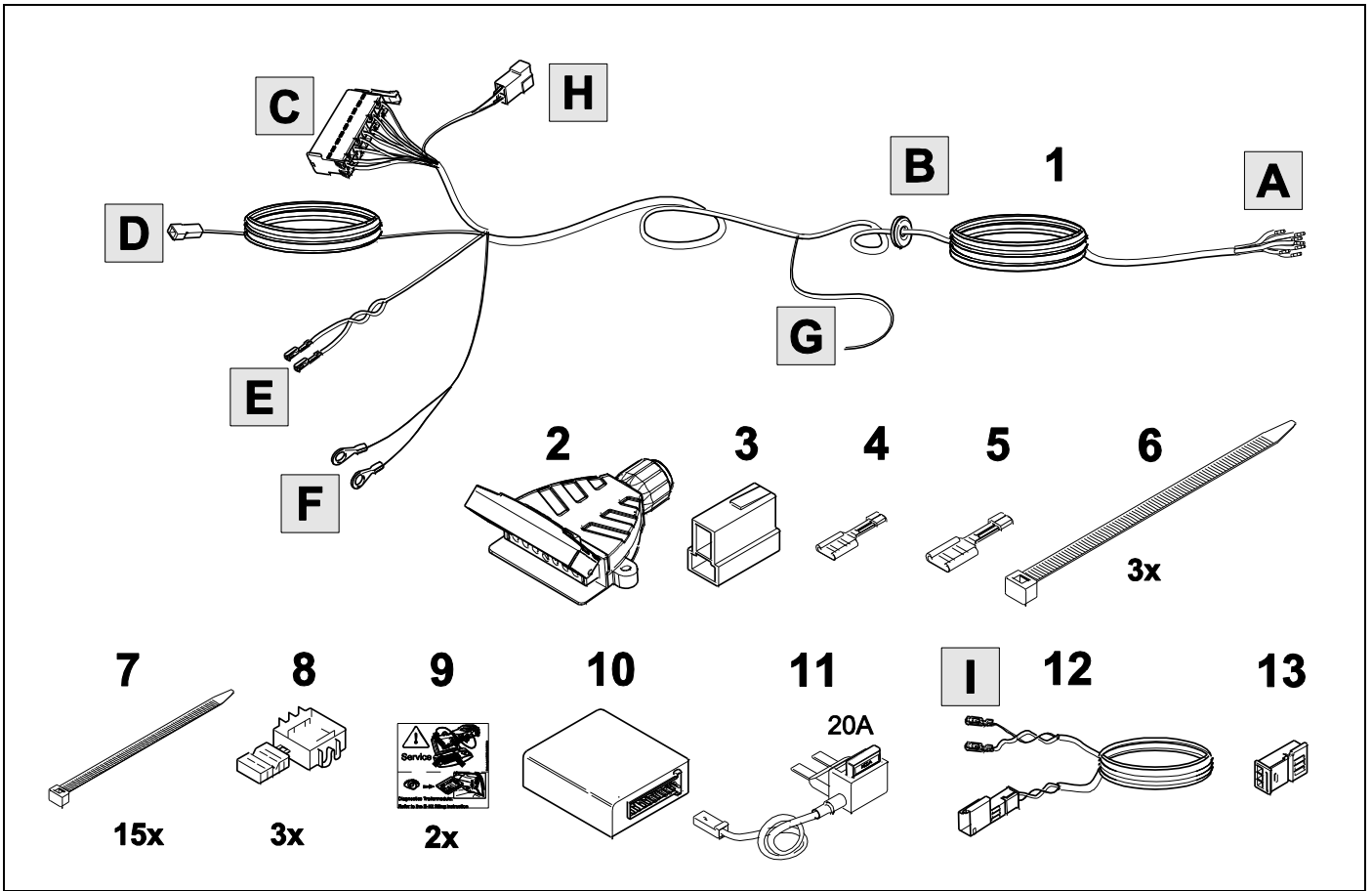


The installation instructions are to be thoroughly read.  
The installation should be carried out by qualified personnel with the relevant technical knowledge.  
The vehicle manufacturers' current technical notices and information on retrofitting must be followed.  
The removal and replacement instructions found in the current repair manuals must be followed.  
It must be ensured that the vehicle is technically suitable for the installation of a trailer hitch.

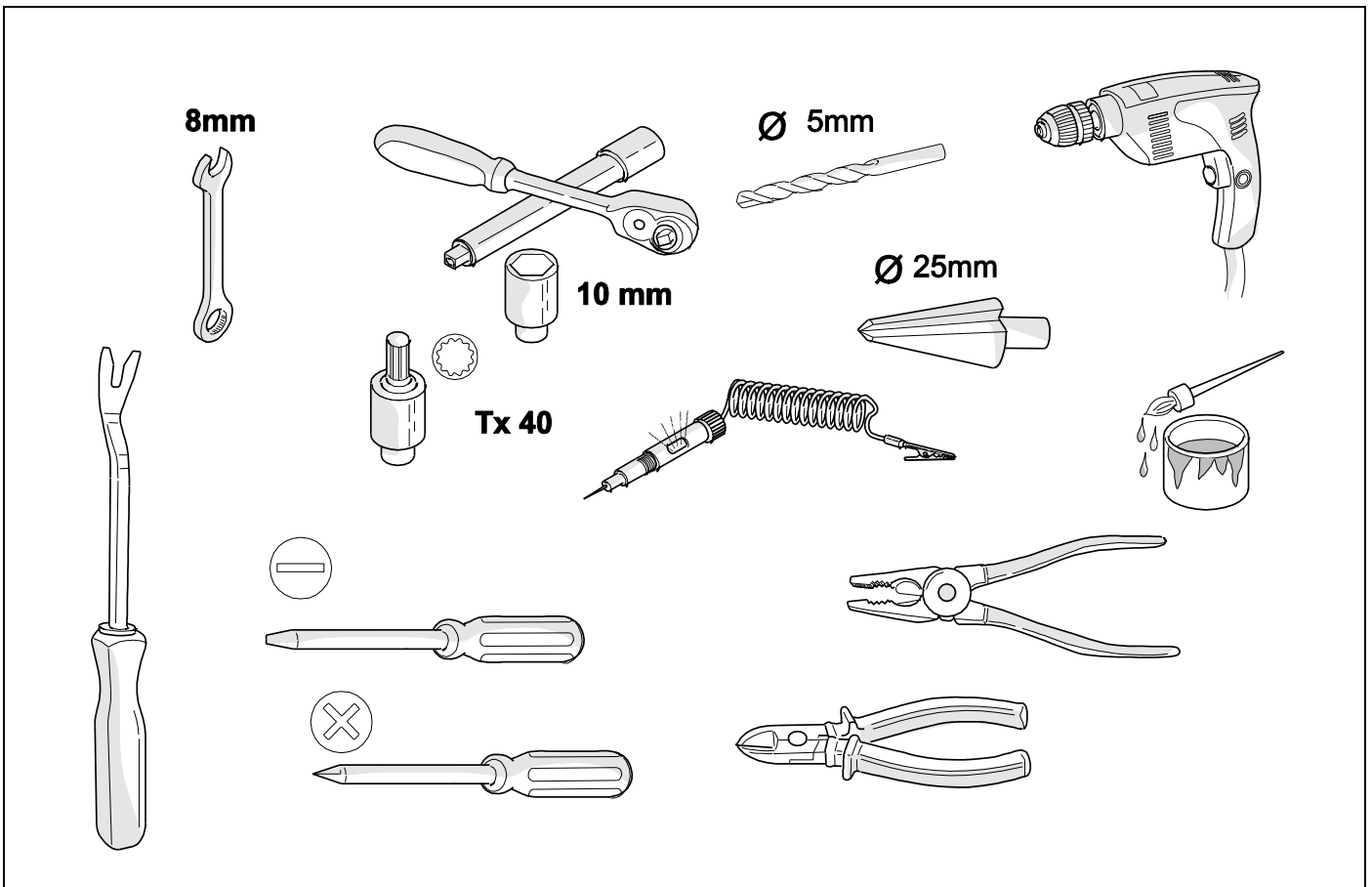
# OVERVIEW

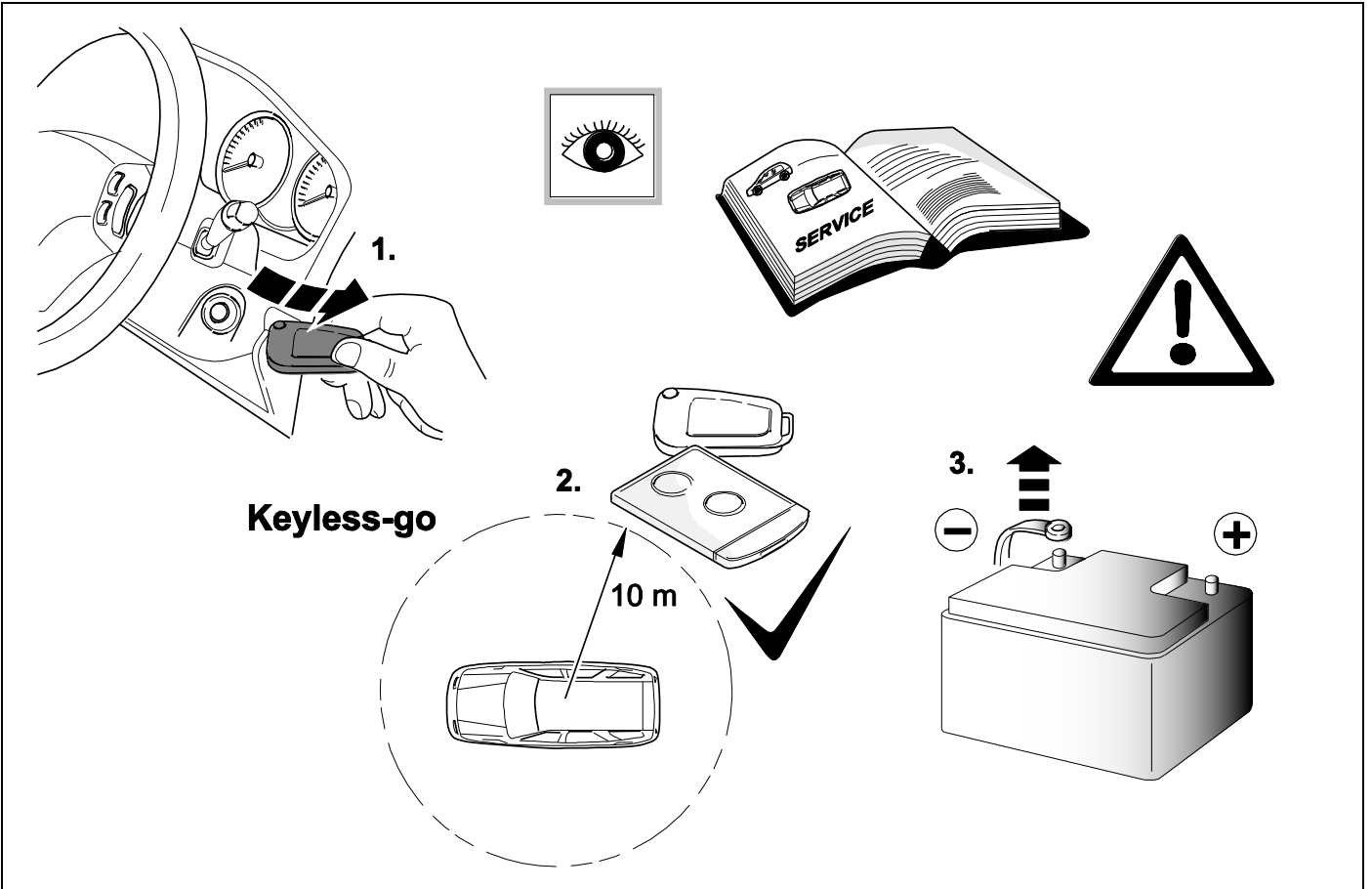


# KIT

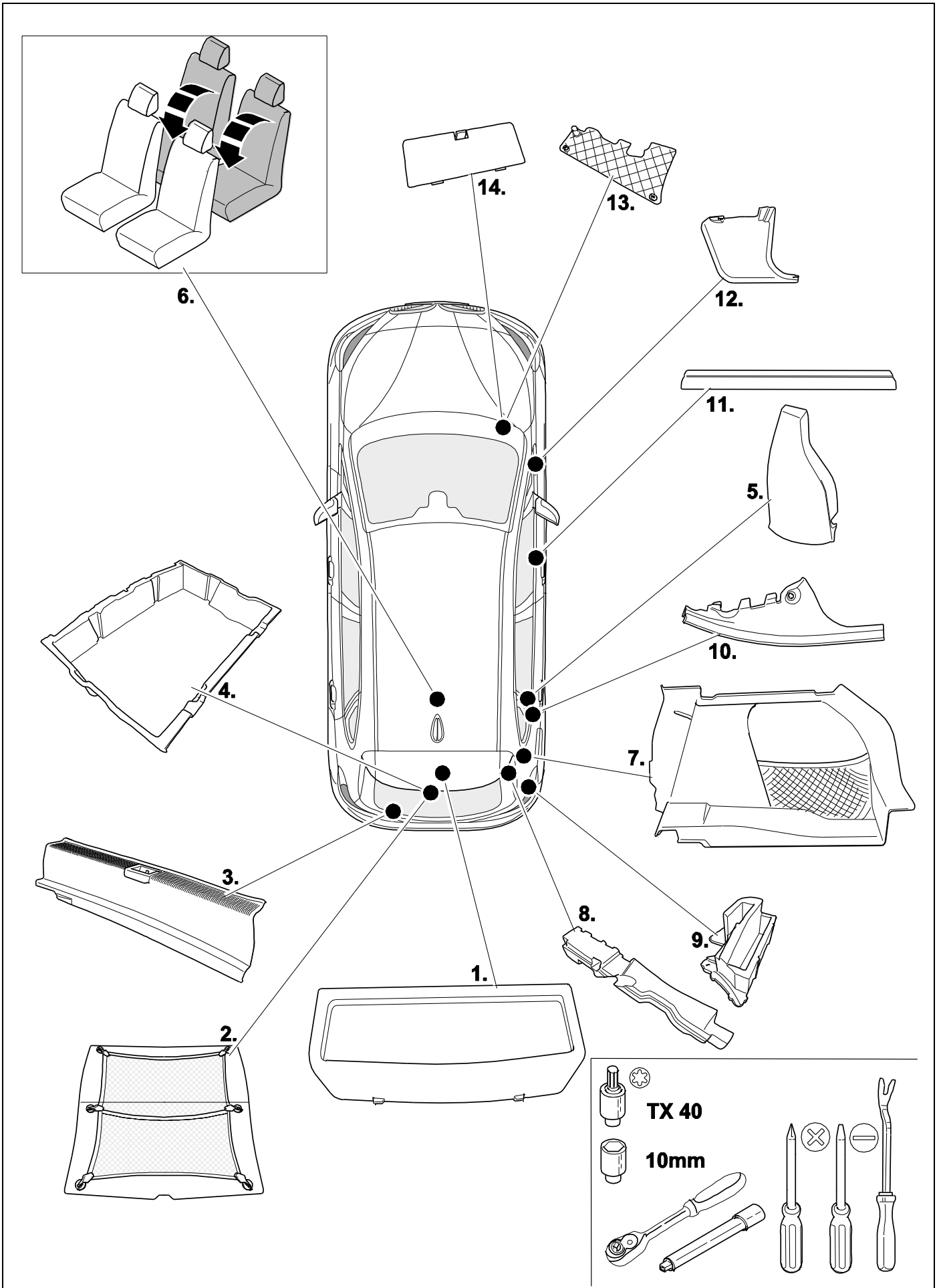


# TOOLS

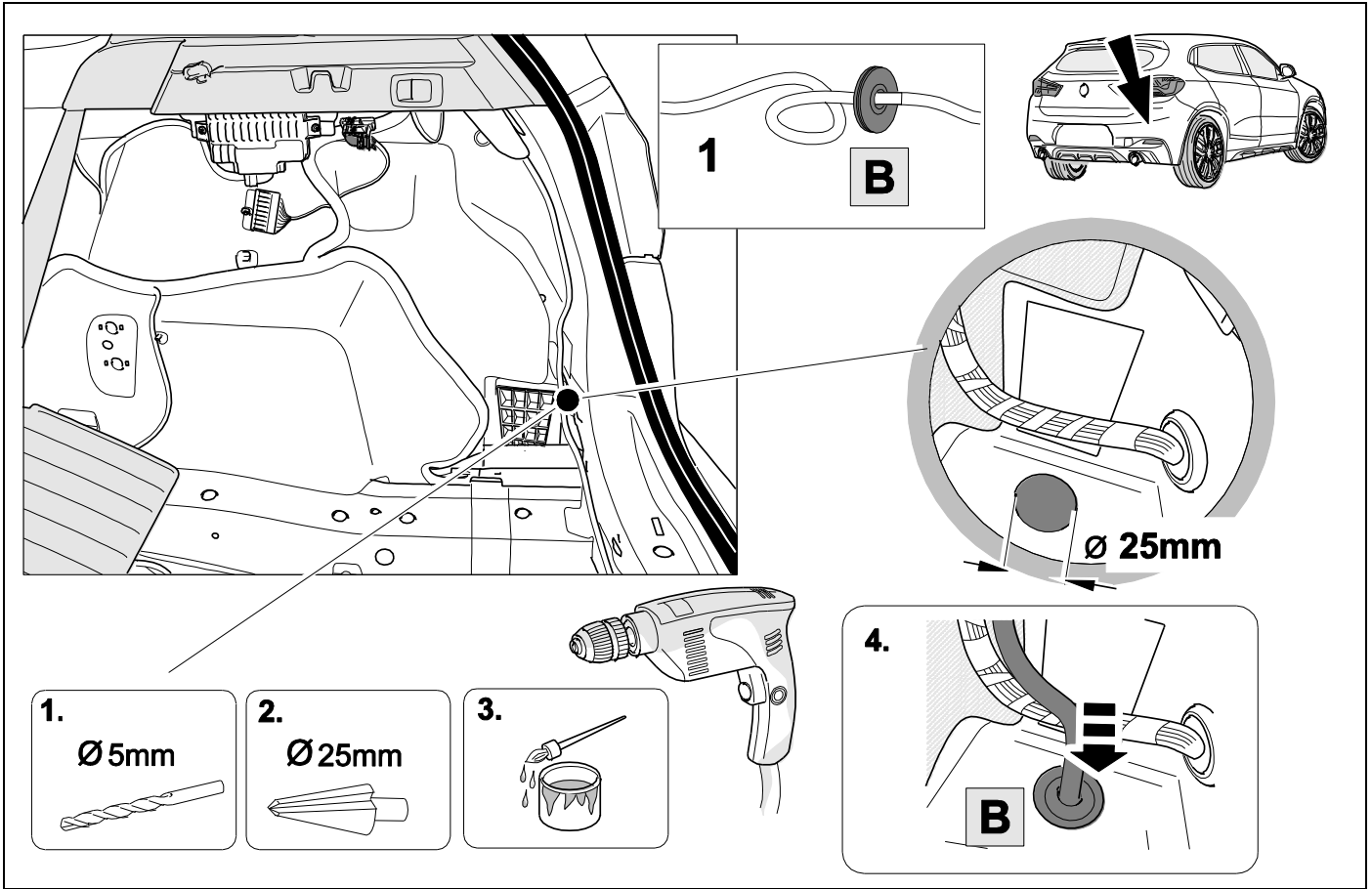




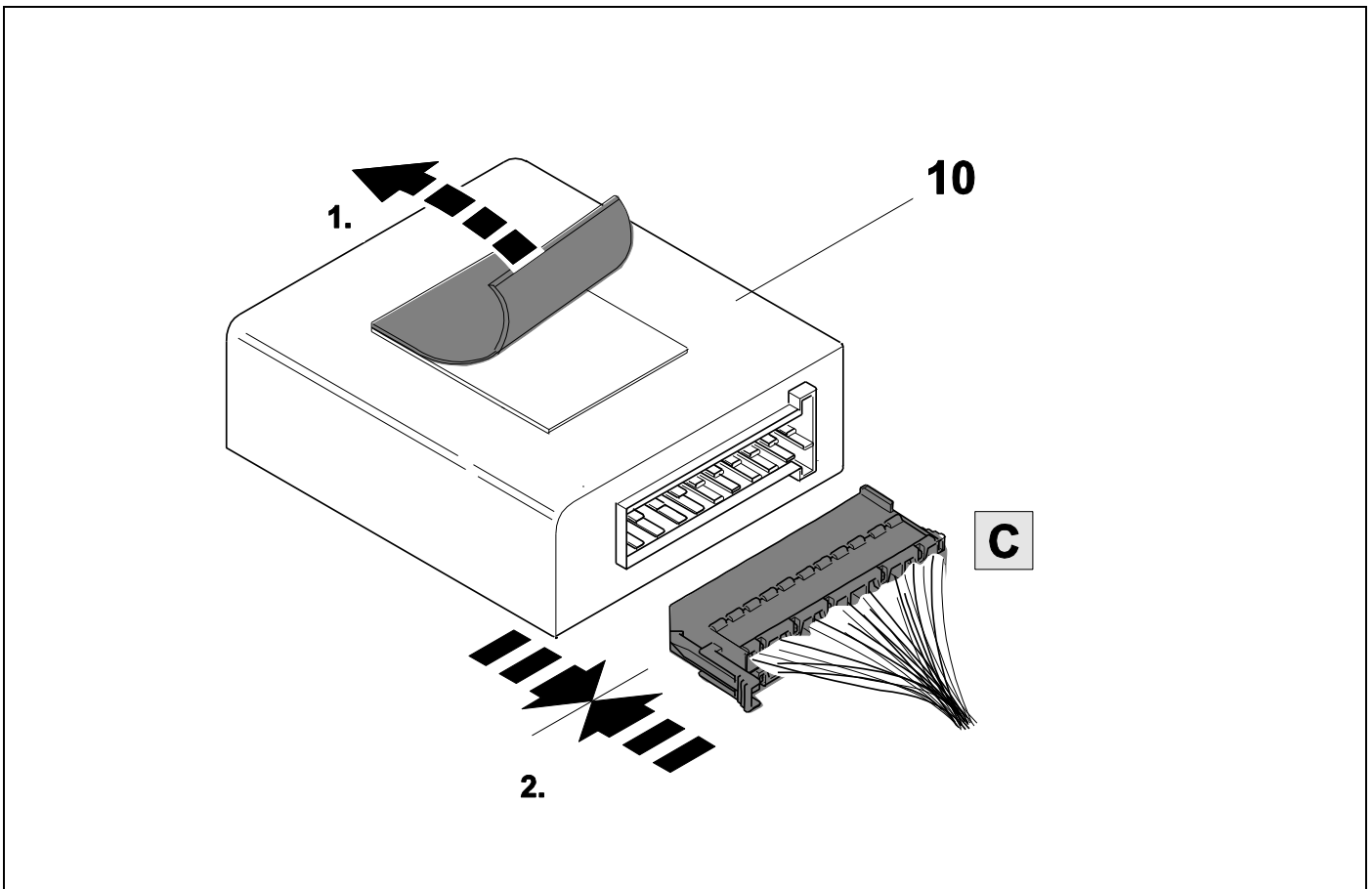
## 2 REMOVE



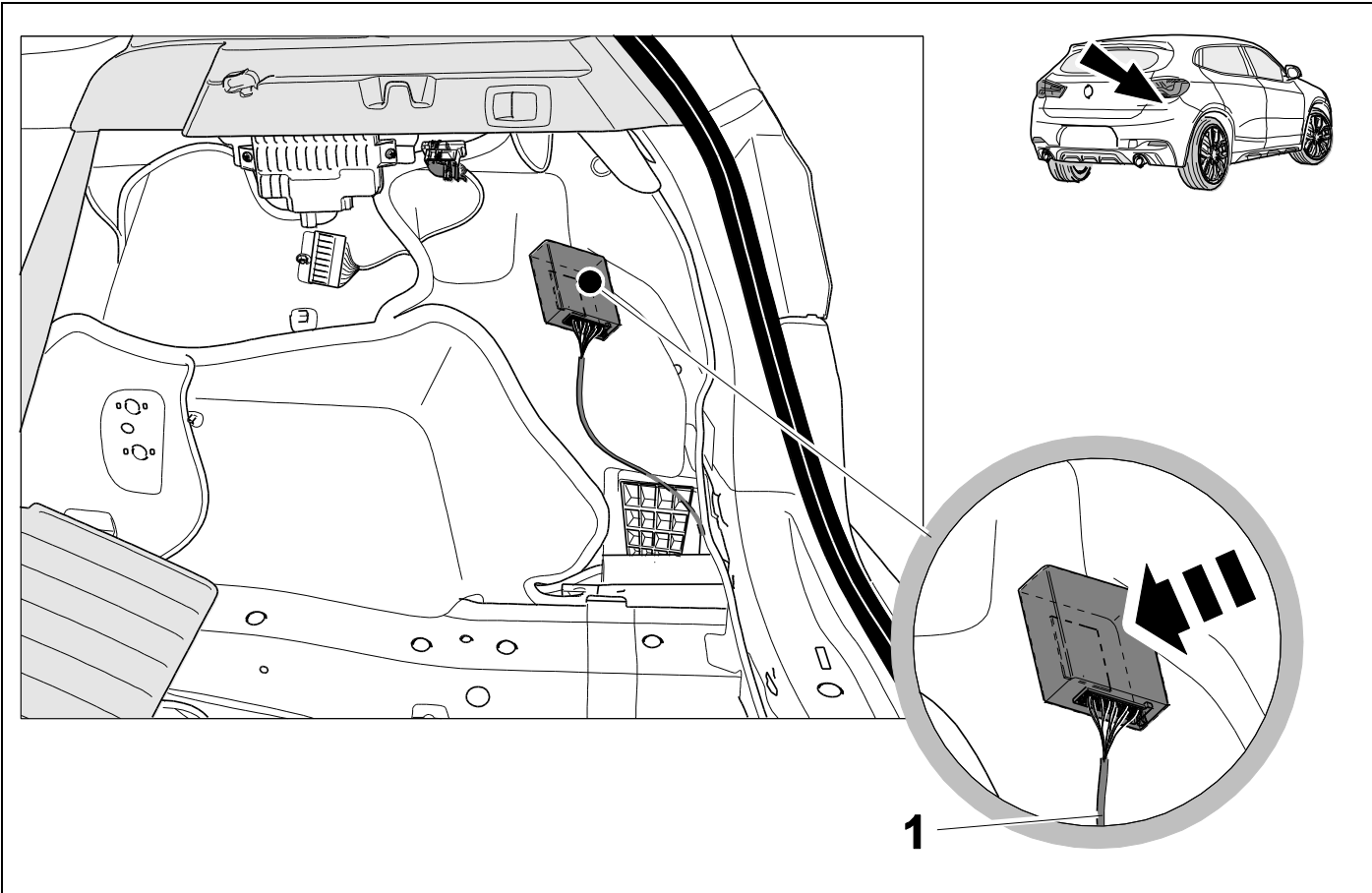
3



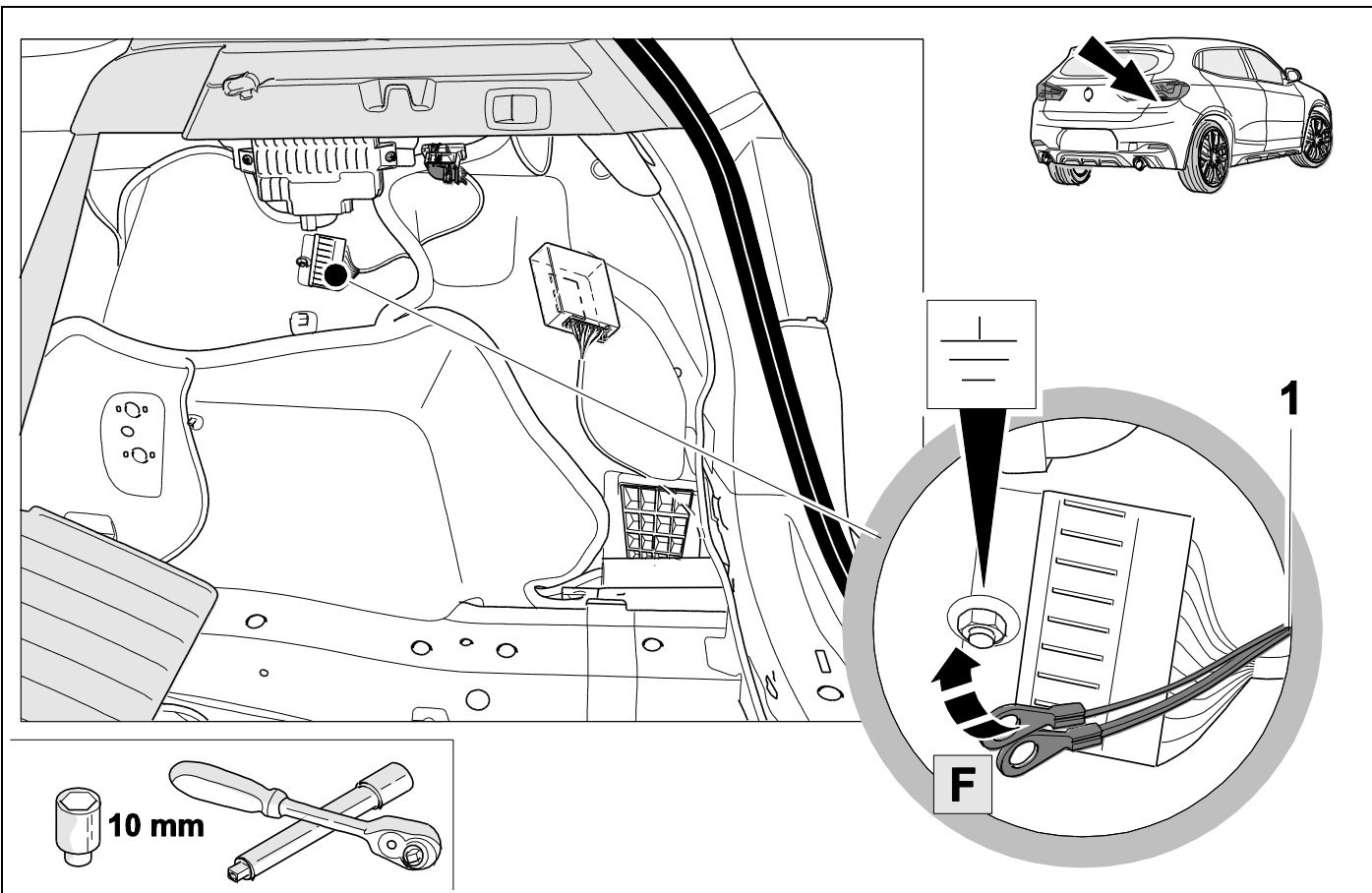
4

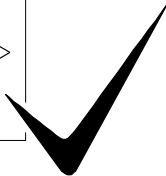
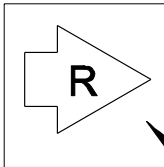
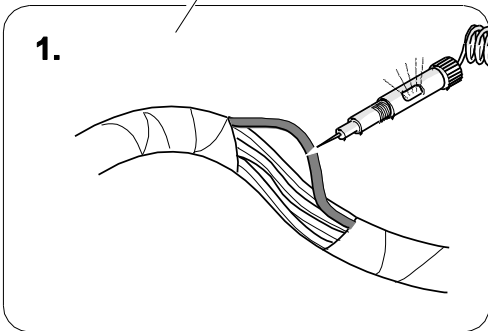
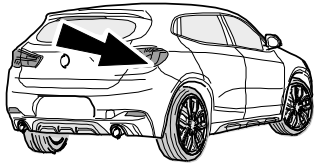
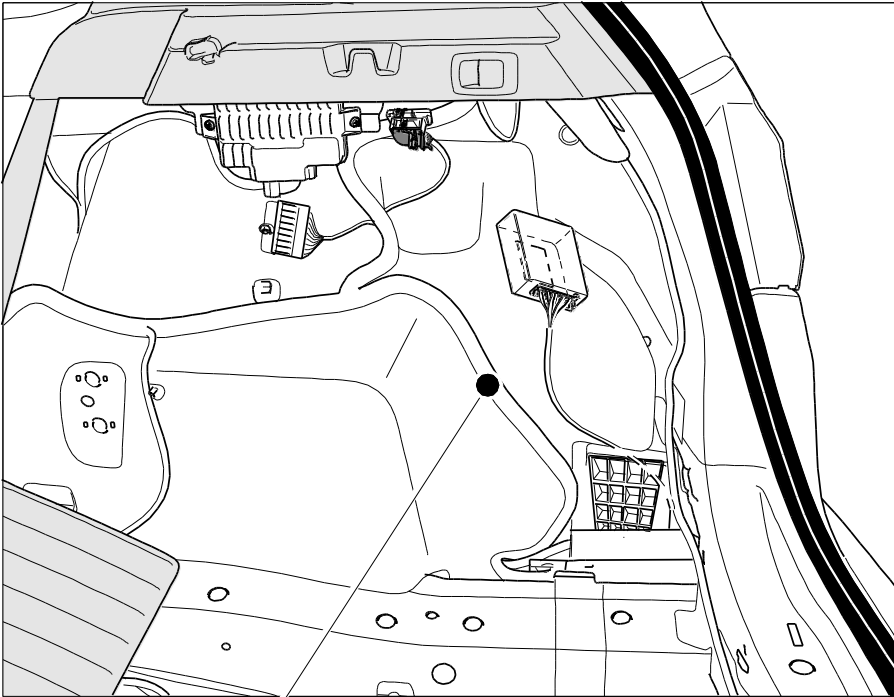


5

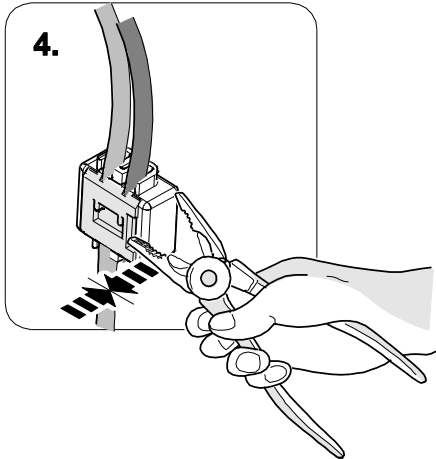
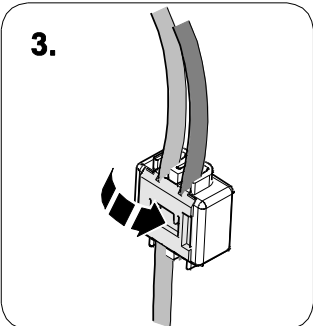
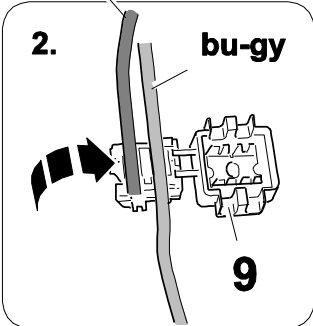


6

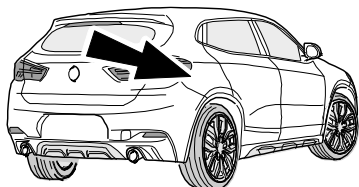




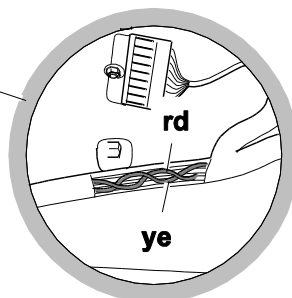
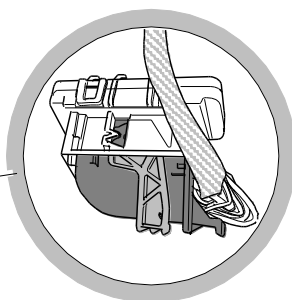
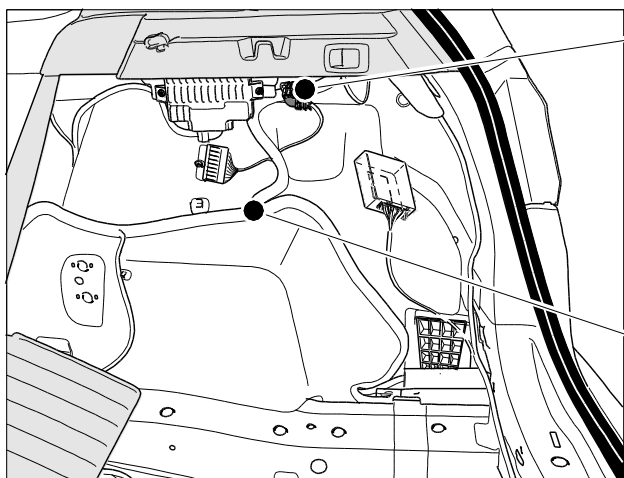
bk-bu **G**







**CAN WIRE**



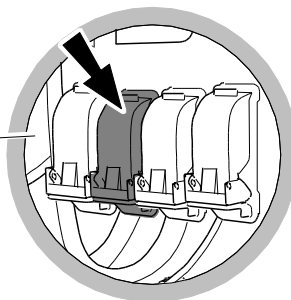
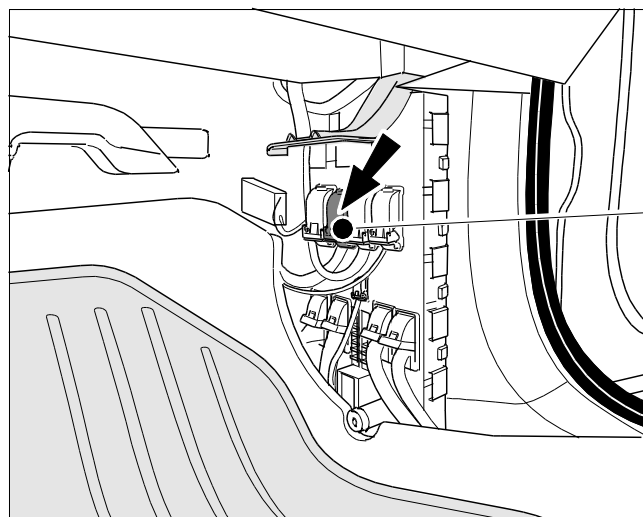
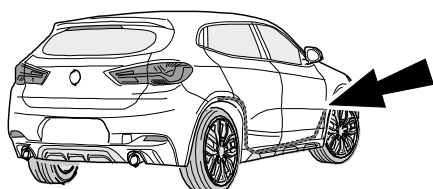
**OPTION 1**



**9** → **10**

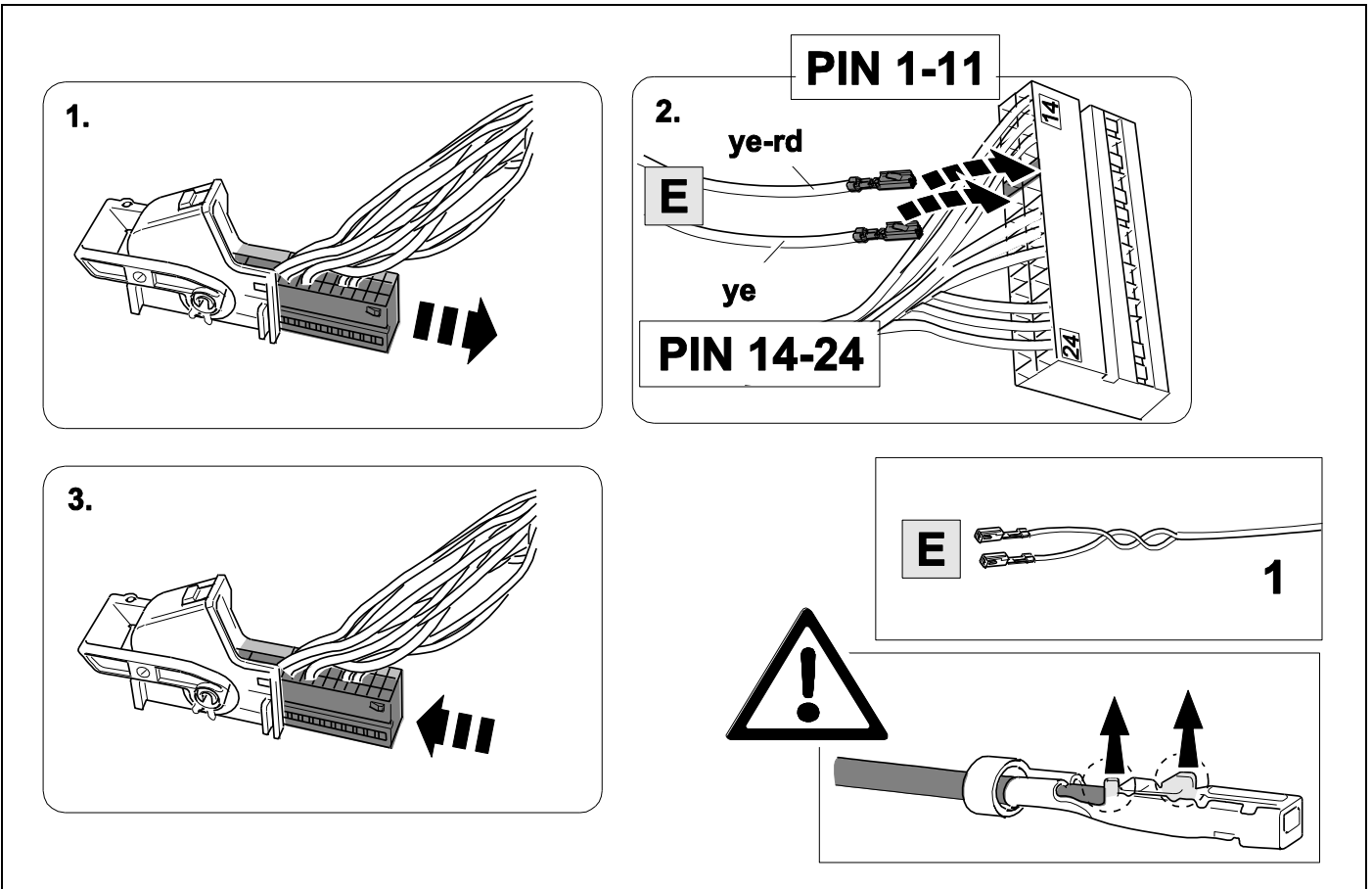
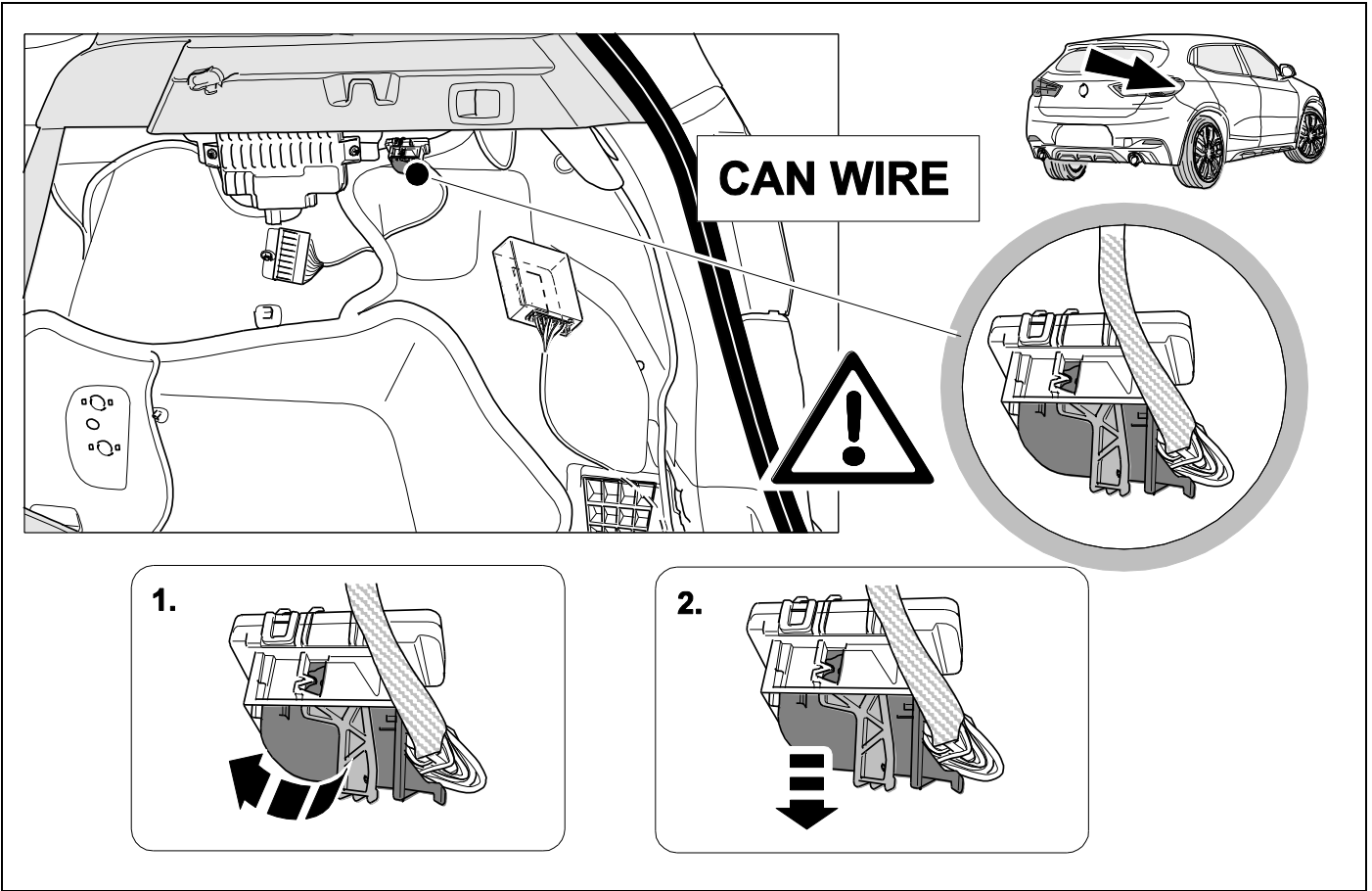
**OPTION 2**

**11** → **12**



**OPTION 3**

**13** → **15**

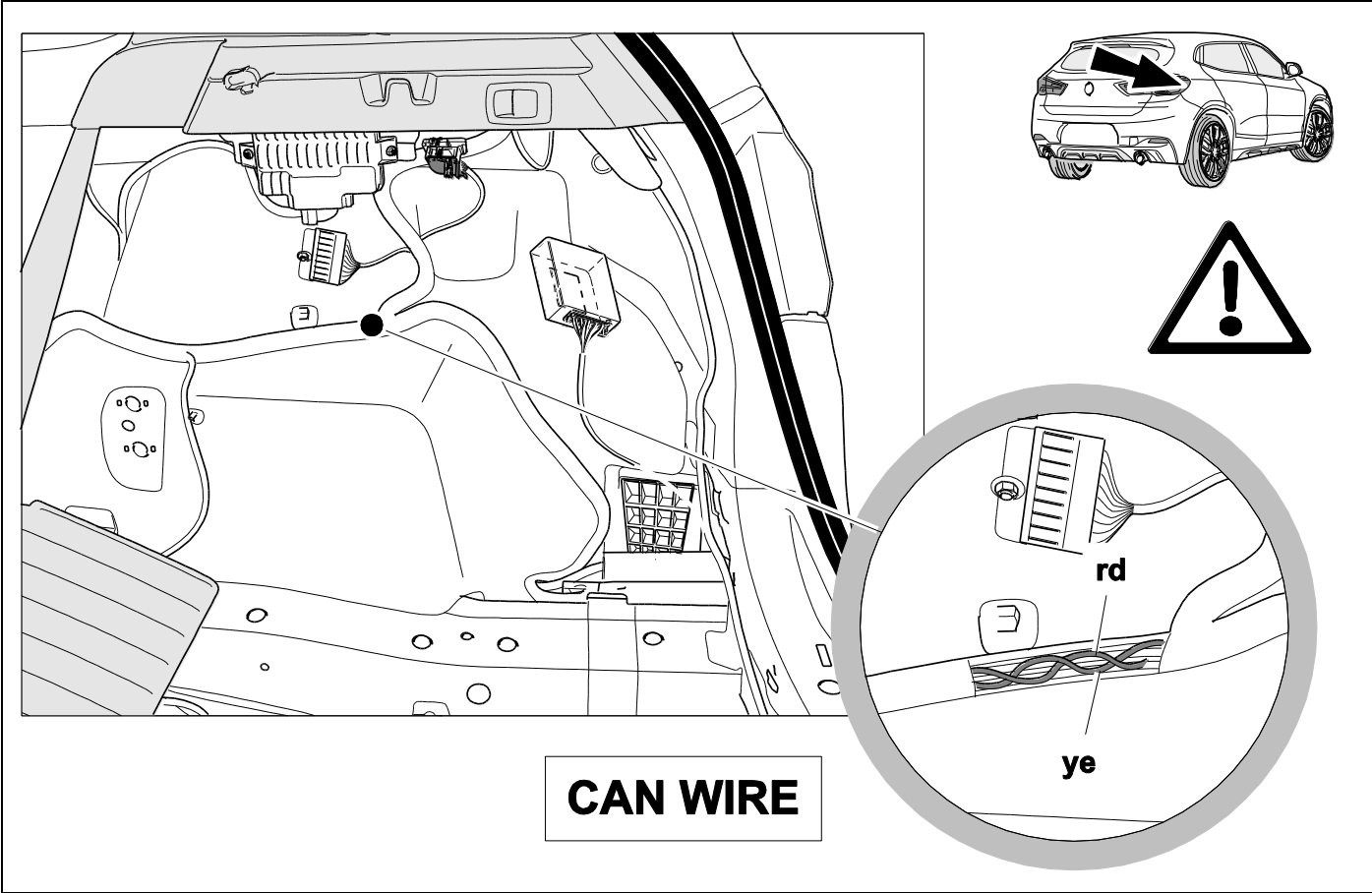


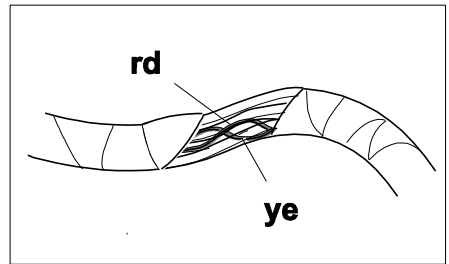
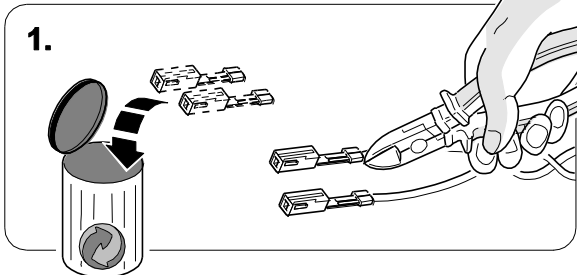
11



22

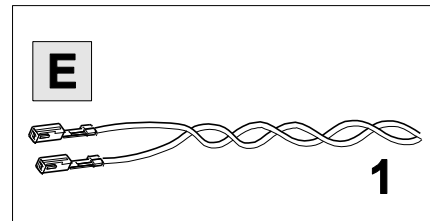
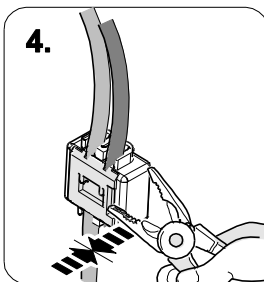
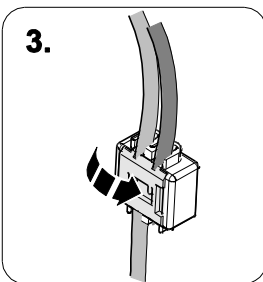
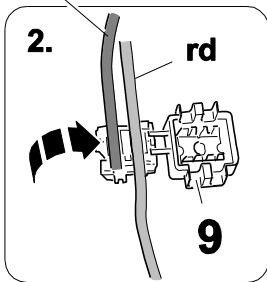
OPTION 2



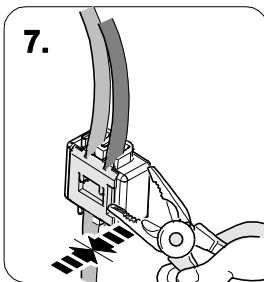
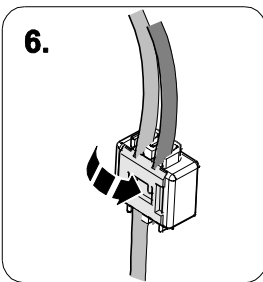
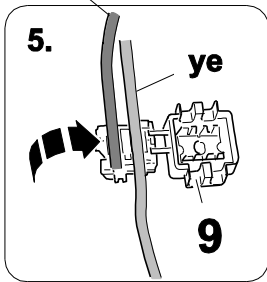


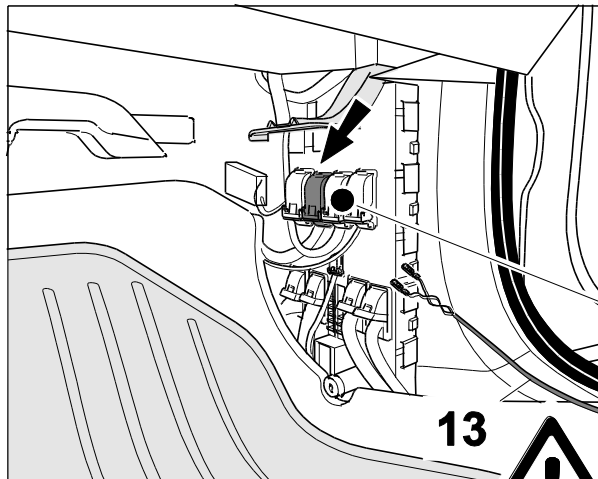
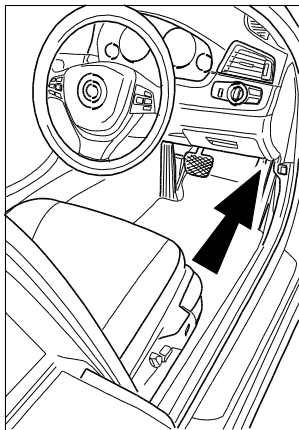
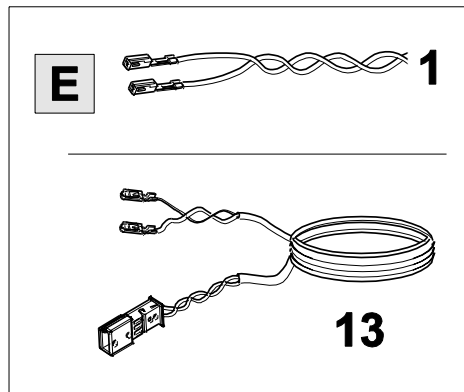
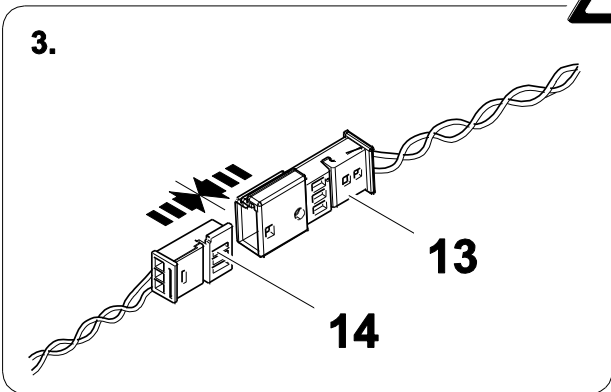
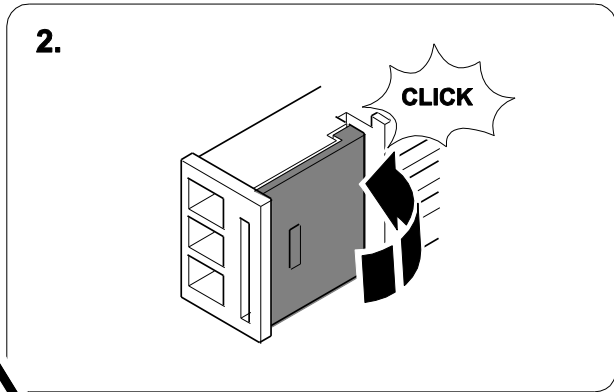
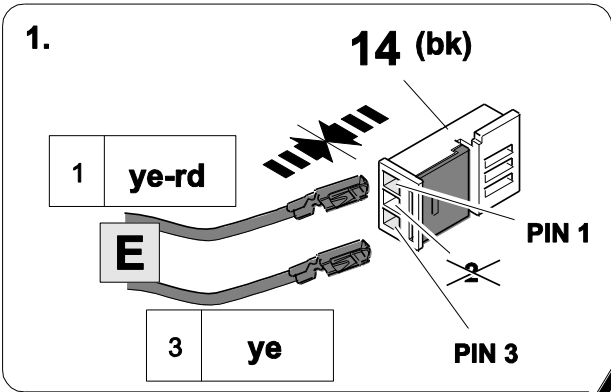
**CAN**

ye-rd **E**

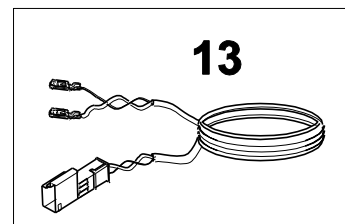
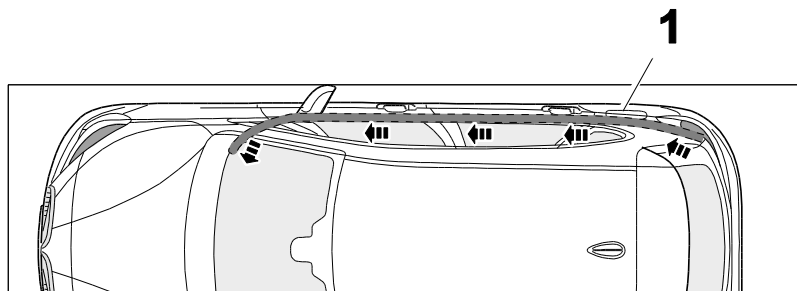
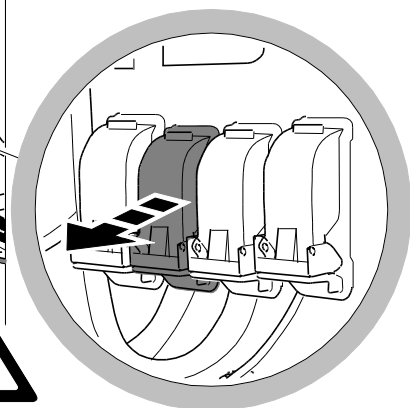


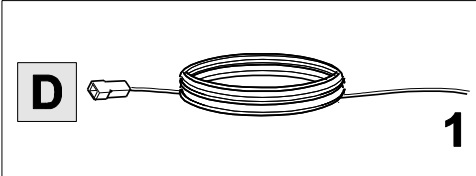
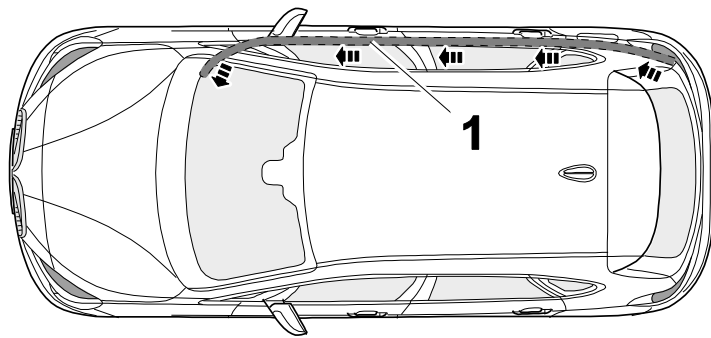
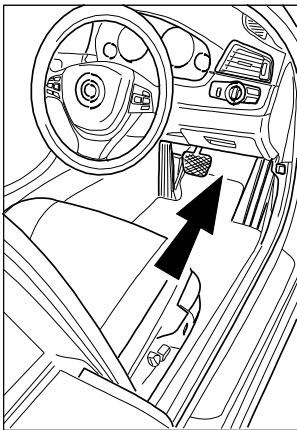
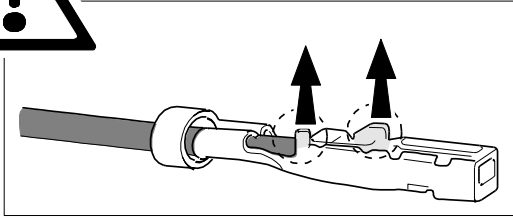
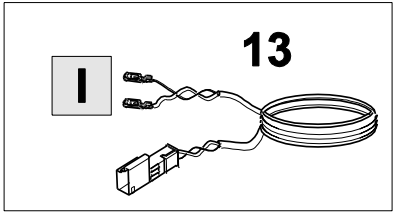
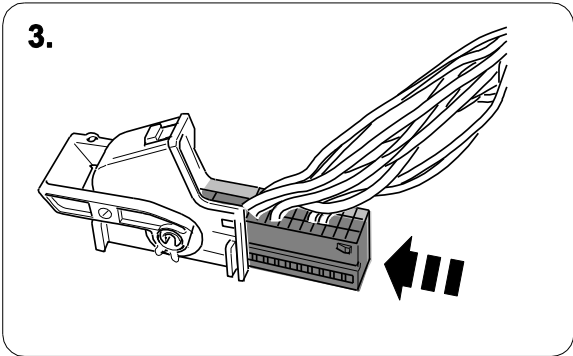
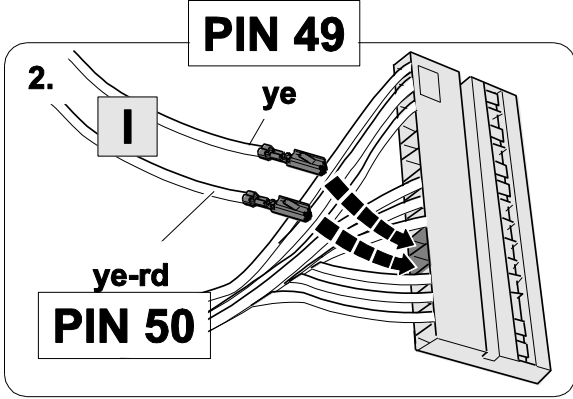
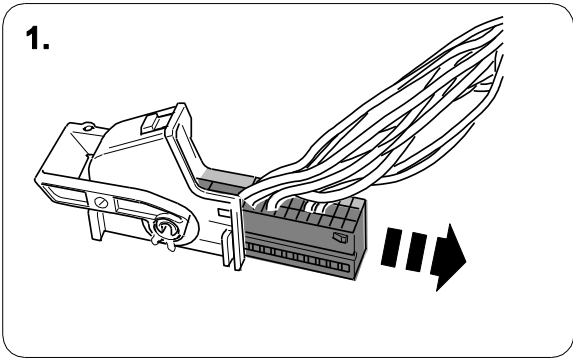
ye **E**

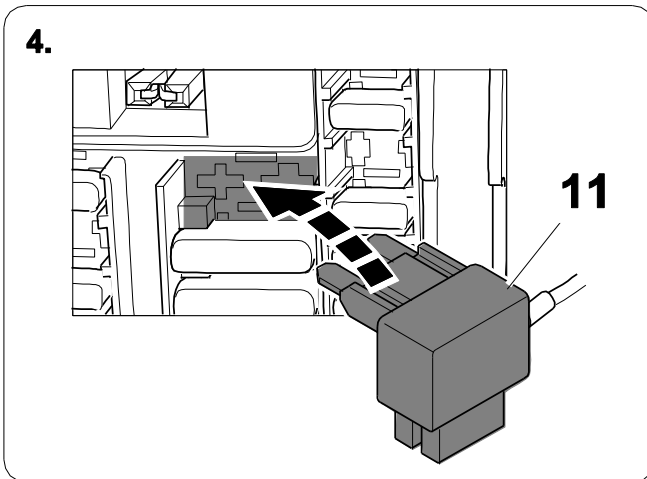
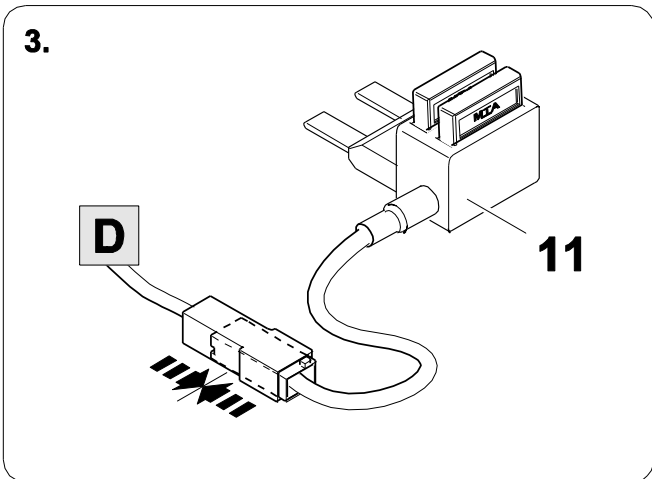
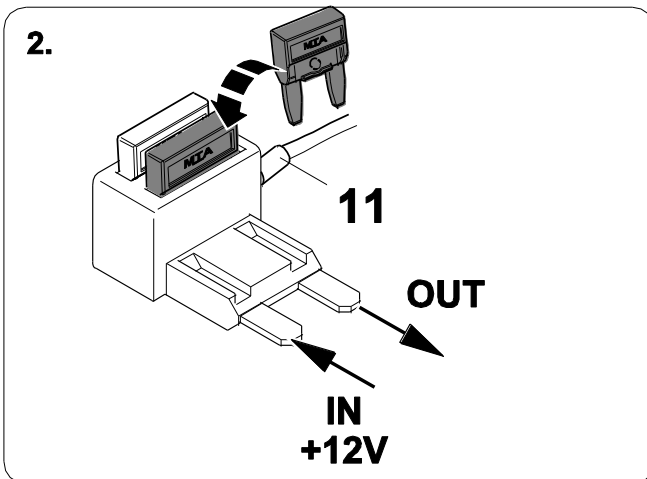
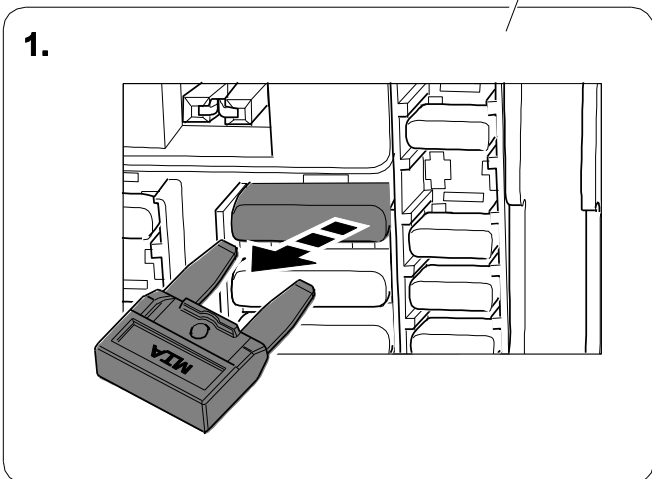
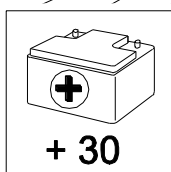
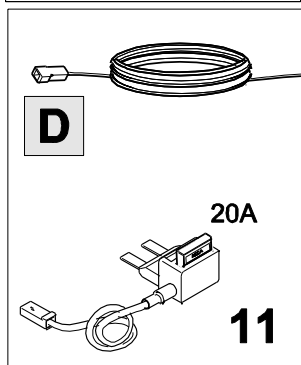
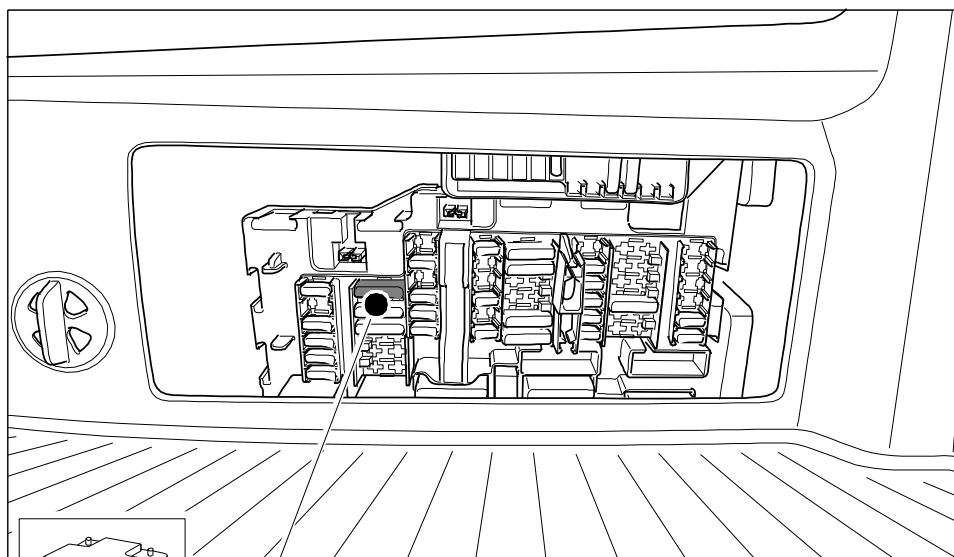
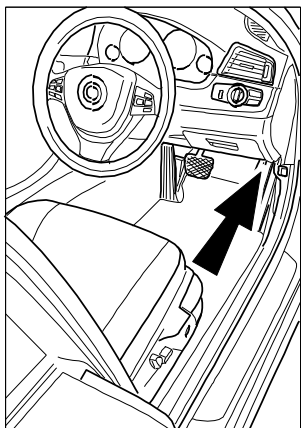




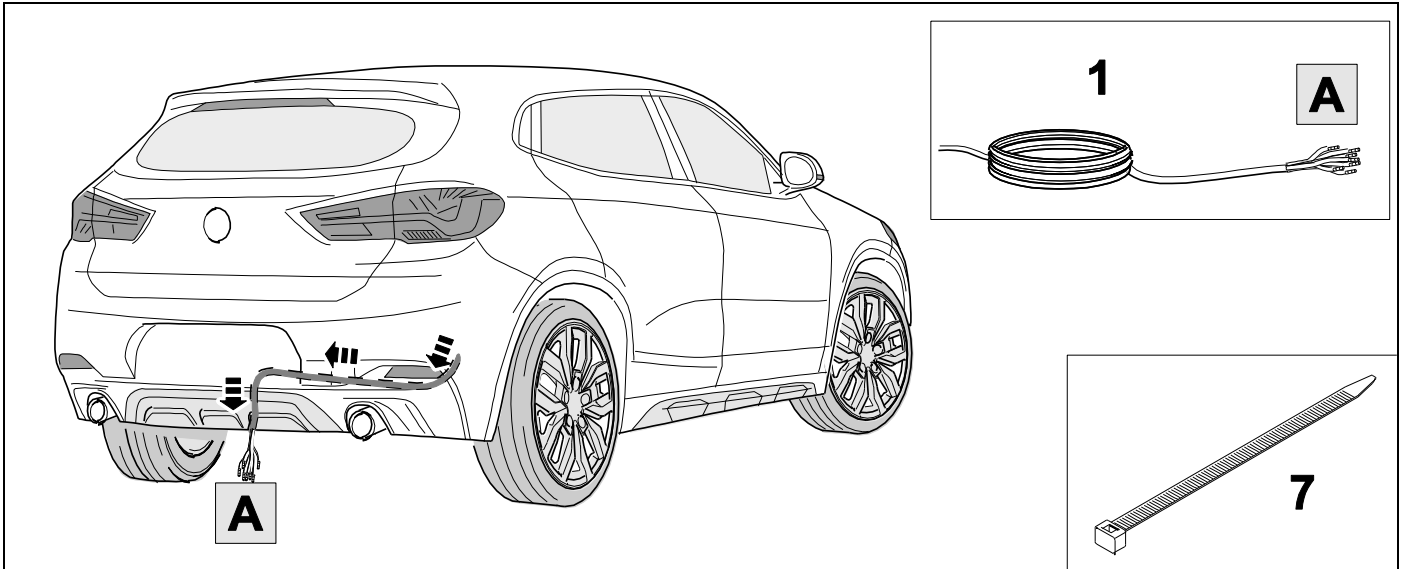
CAN







18



19



22

**1.**

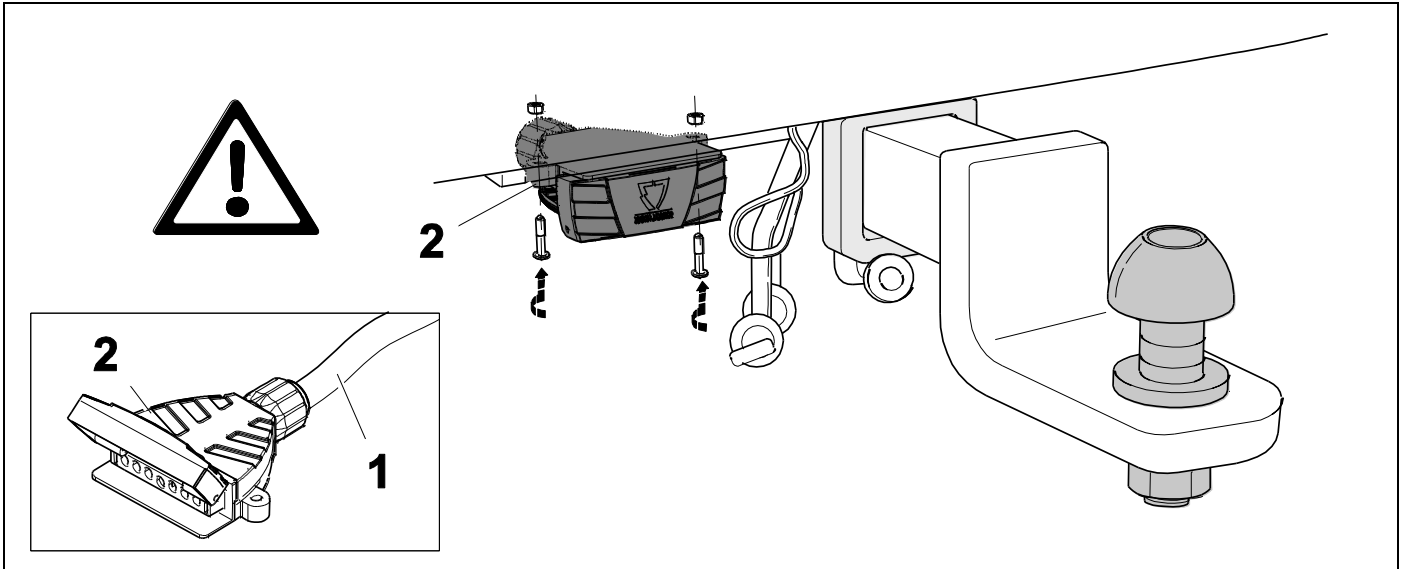
**2.**

**3.**

gn	<b>4</b>	
bn	<b>7</b>	
bk	<b>2</b>	
wh	<b>3</b>	
bu	<b>5</b>	
rd	<b>6</b>	
ye	<b>1</b>	



20



21

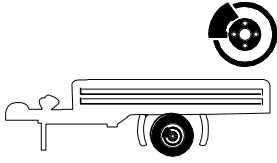


22

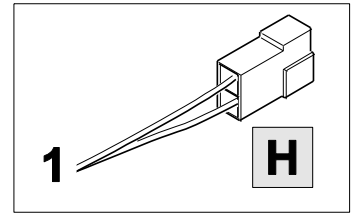
1	ye	
2	bk	
3	wh	
4	gn	
5	bu	
6	rd	
7	bn	

22	bk	wh	gy	gn	rd	bu	ye	bn	pu	or	no
	black	white	grey	green	red	blue	yellow	brown	purple	orange	not occupied

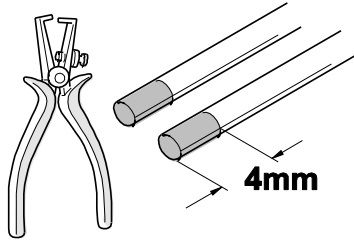
**BRAKE  
CONTROLLER  
PREPARED**



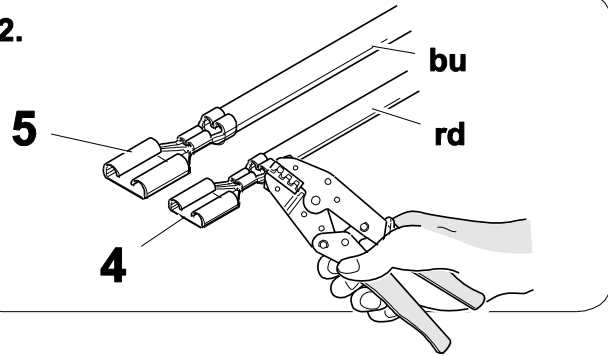
## Trailer Brake Preparation



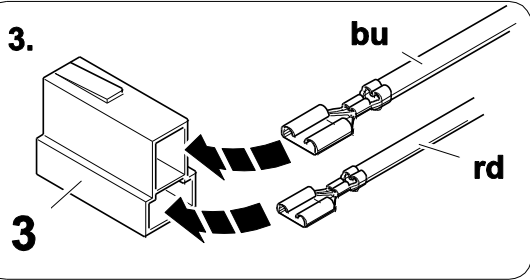
1.



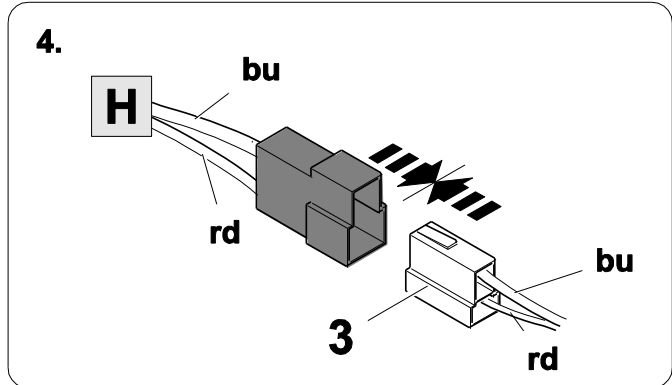
2.



3.



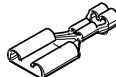
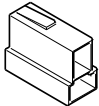
4.



3

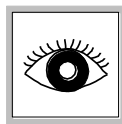
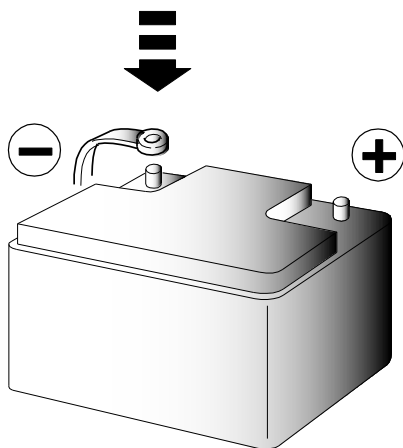
4

5



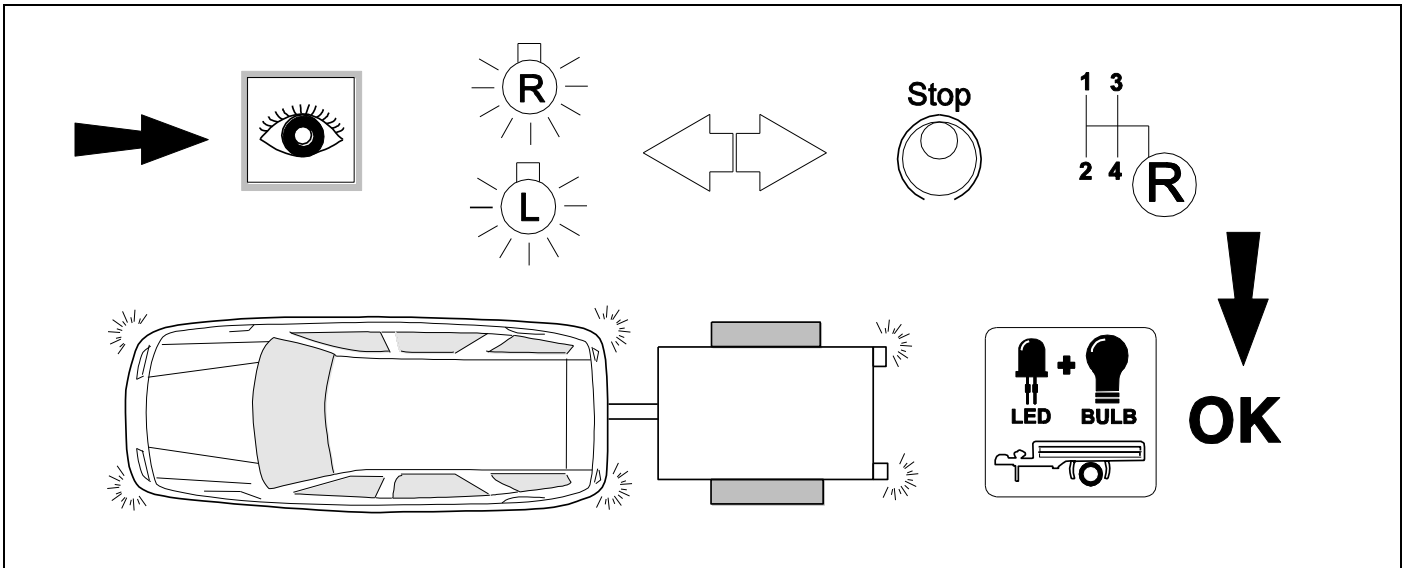
APPROVED, TESTED AND CERTIFIED TO BE USED WITH THE SPECTRUM BRAKE CONTROLLER.

USE OUR BRAKE CONTROLLER CONNECTION HARNESS 529008



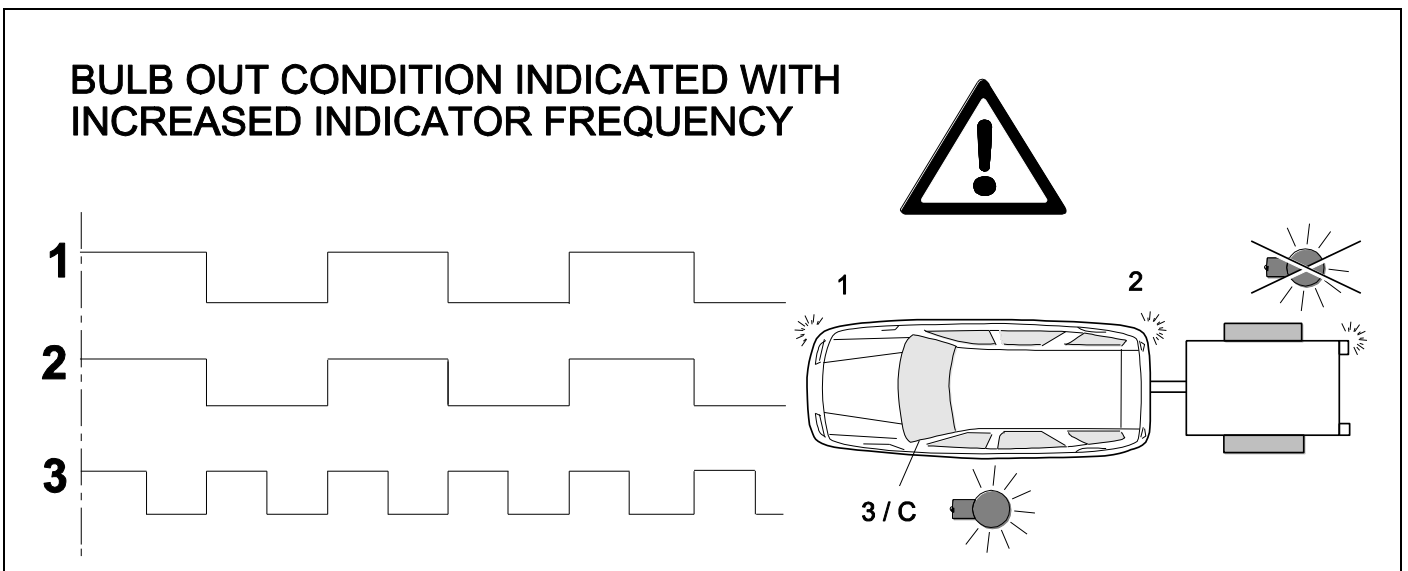
25

# CHECK ALL LIGHTING FUNCTIONS



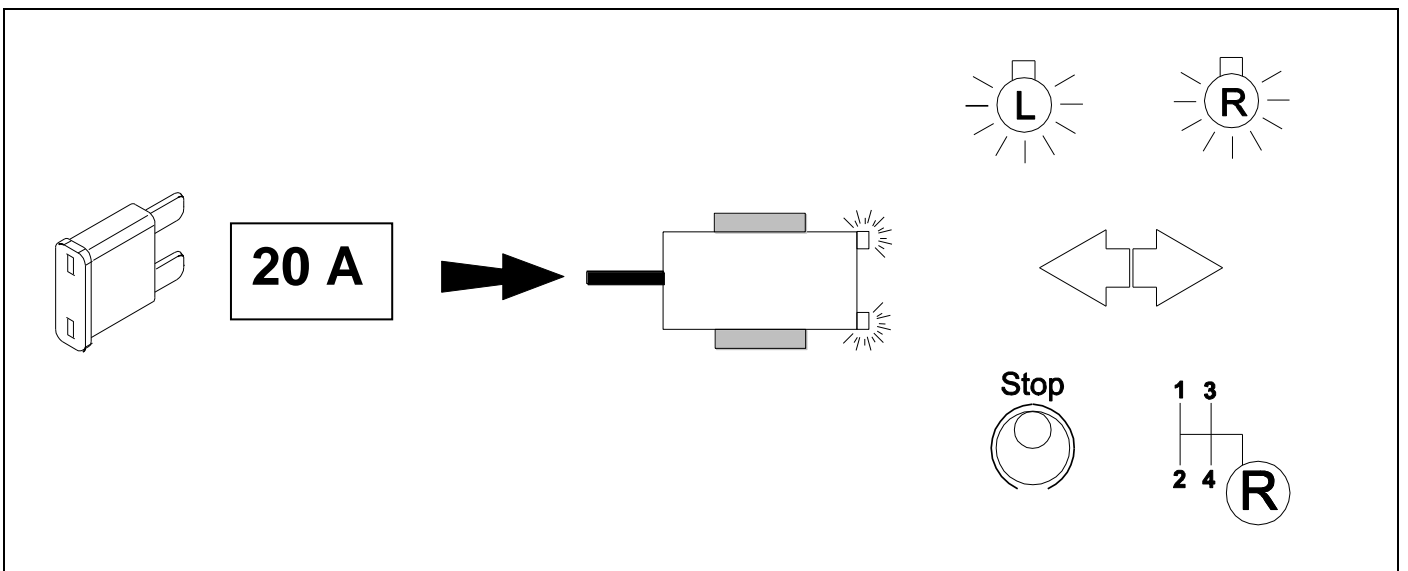
26

# CHECK BULB OUT DETECTION



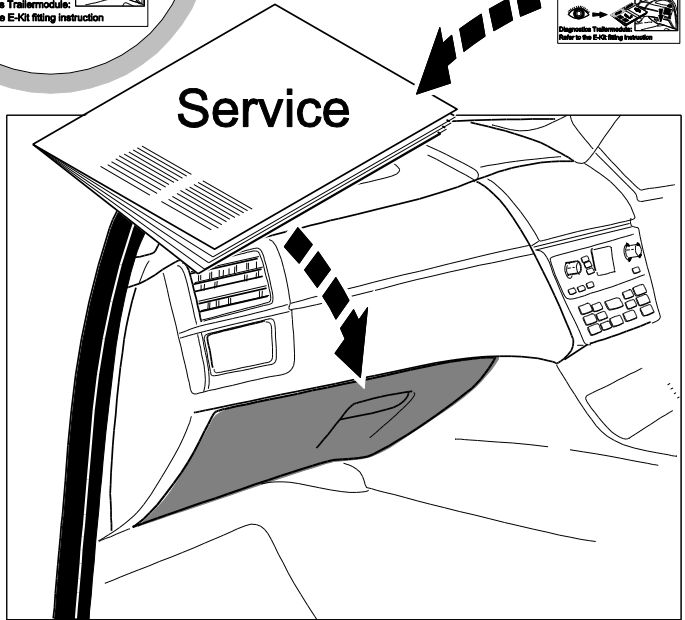
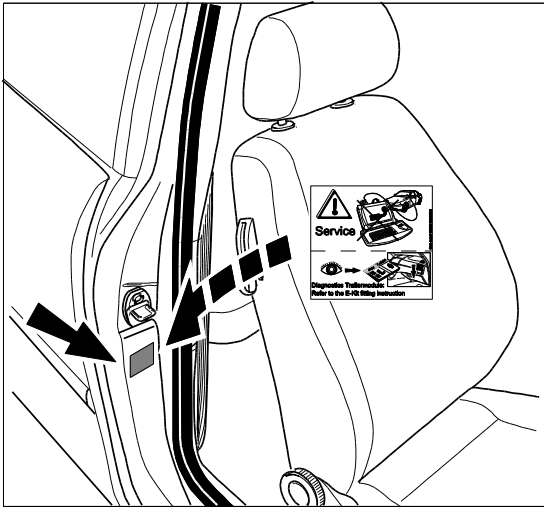
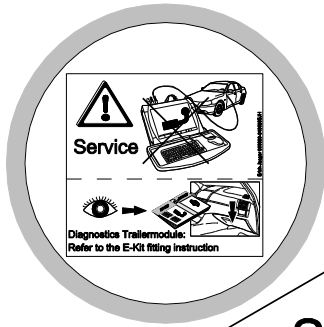
27

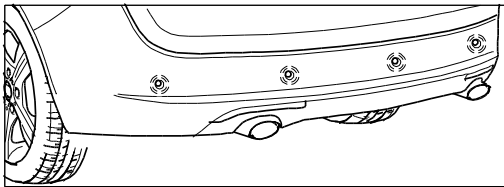
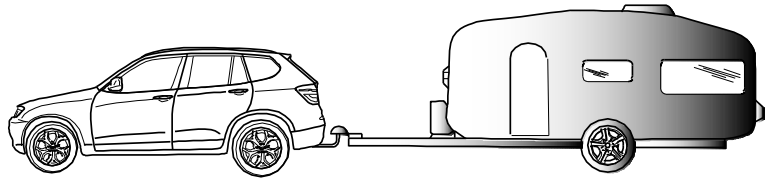
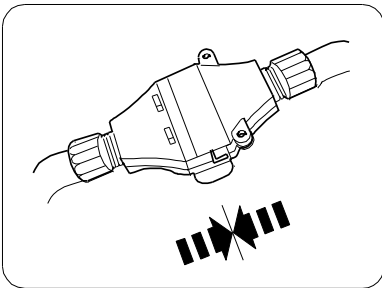
⇒ 17



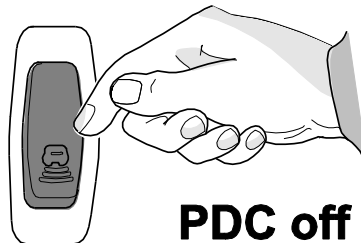
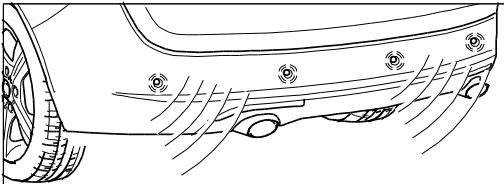


2x 9

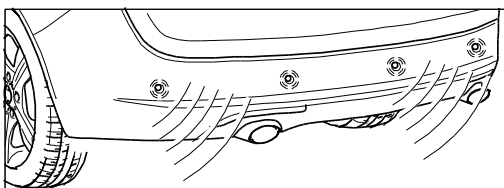




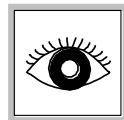
**No Coding**



**PDC off**

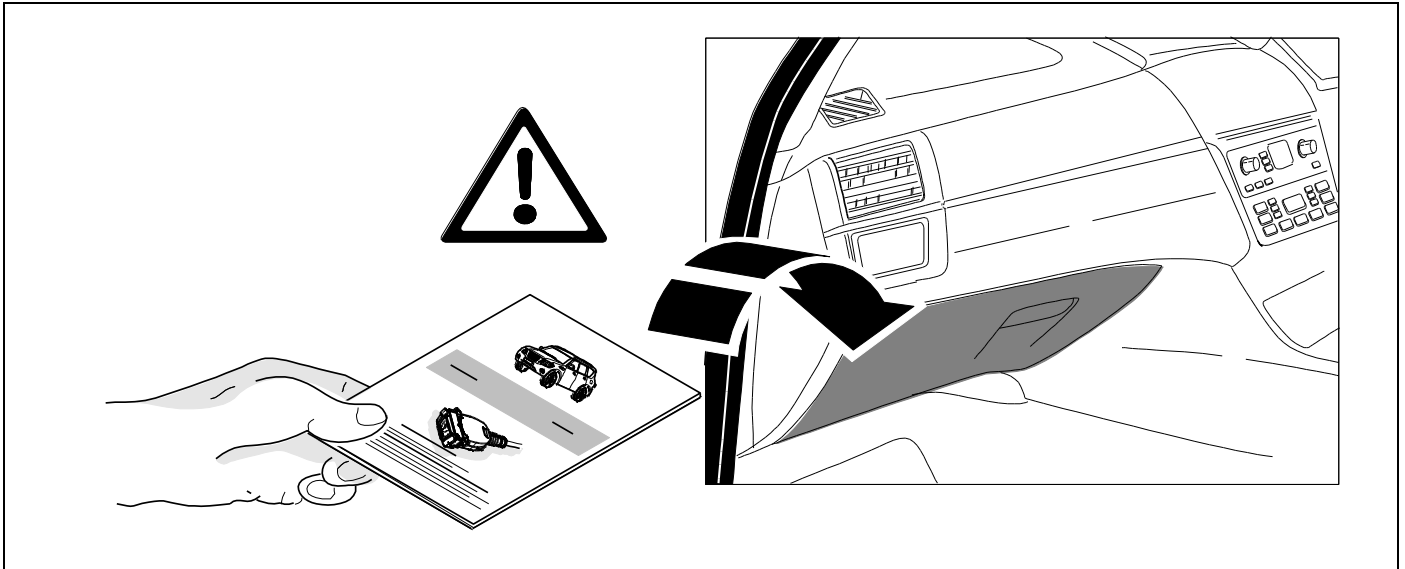


**BMW Service ISTA/P  
Initialize Trailer Module**









Subject to change in terms of construction, equipment and colour, and may contain errors.

The information and illustrations are non-binding.