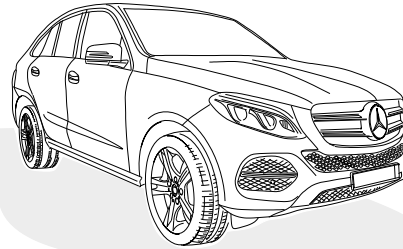
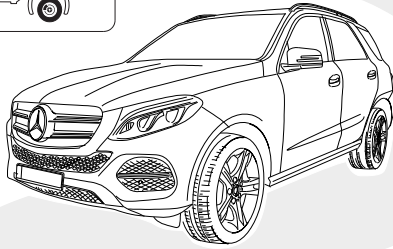
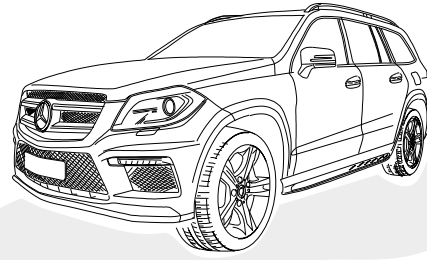
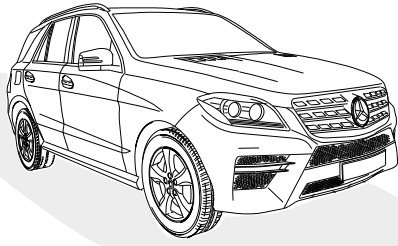
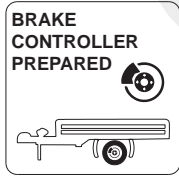
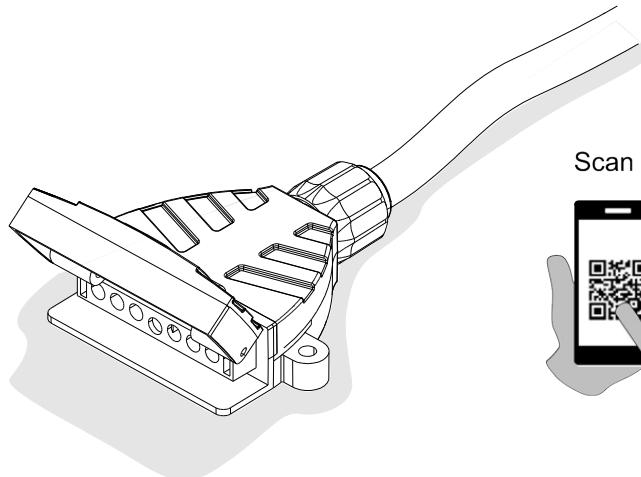


ERICH JAEGER



MERCEDES BENZ ML-Class	W166	12/11 >> 08/15
MERCEDES BENZ GL-Class	X166	12/12 >>
MERCEDES BENZ GLE-Class	W166	09/15 >>
MERCEDES BENZ GLE-Coupé	C292	09/15 >>
MERCEDES BENZ GLS-Class	X166	04/16 >>

750048



Scan this for our full E-Kit catalogue



Installation instructions

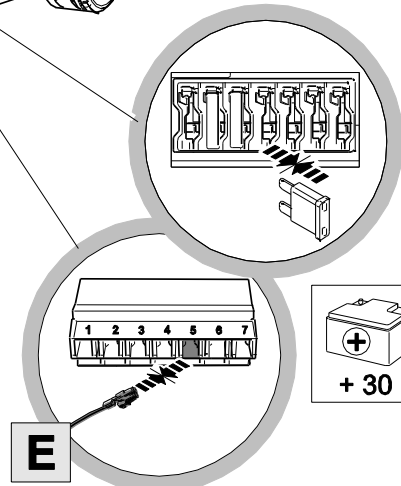
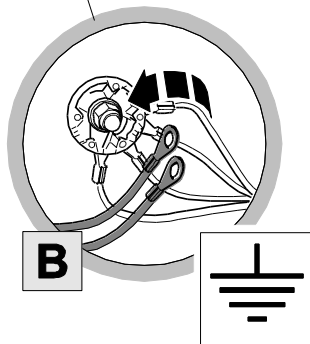
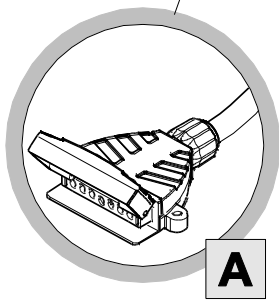
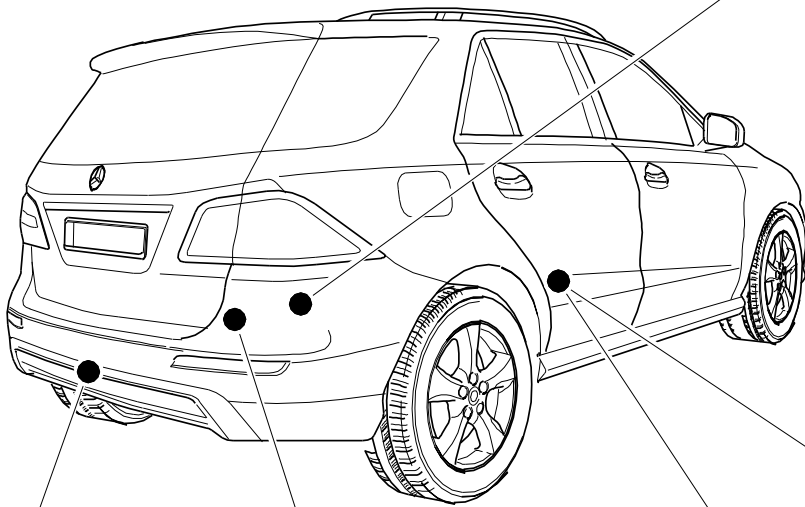
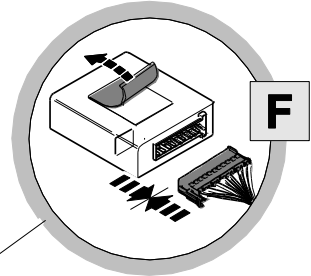
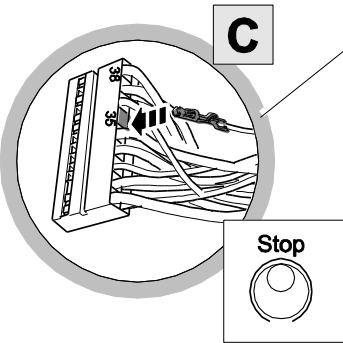
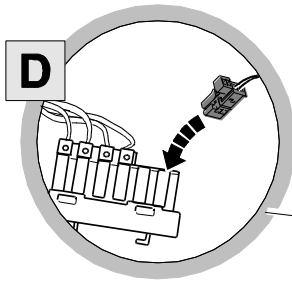
Reference:

The following information must be reviewed before beginning the assembly:

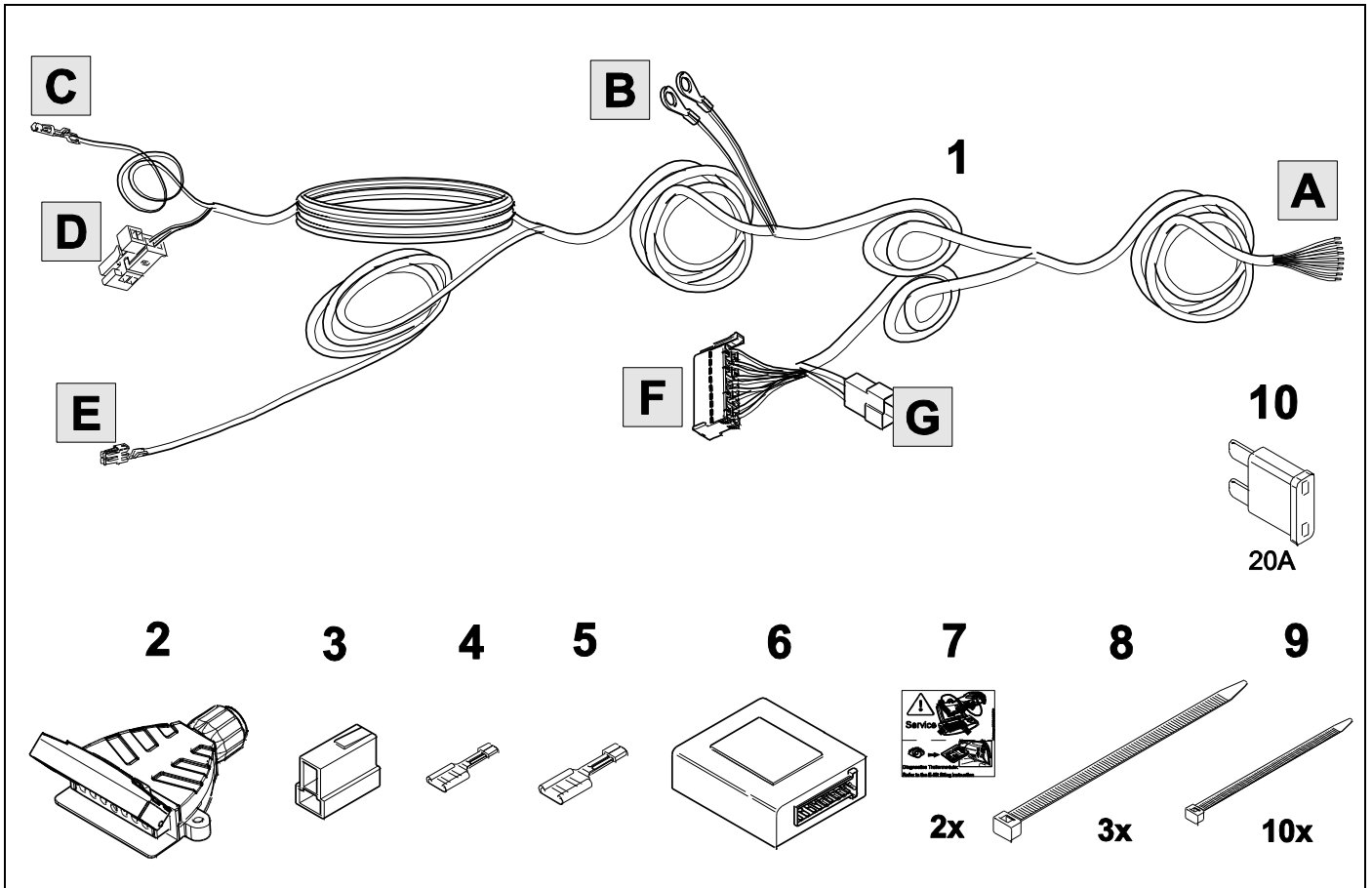


The installation instructions are to be thoroughly read.
 The installation should be carried out by qualified personnel with the relevant technical knowledge.
 The vehicle manufacturers' current technical notices and information on retrofitting must be followed.
 The removal and replacement instructions found in the current repair manuals must be followed.
 It must be ensured that the vehicle is technically suitable for the installation of a trailer hitch.

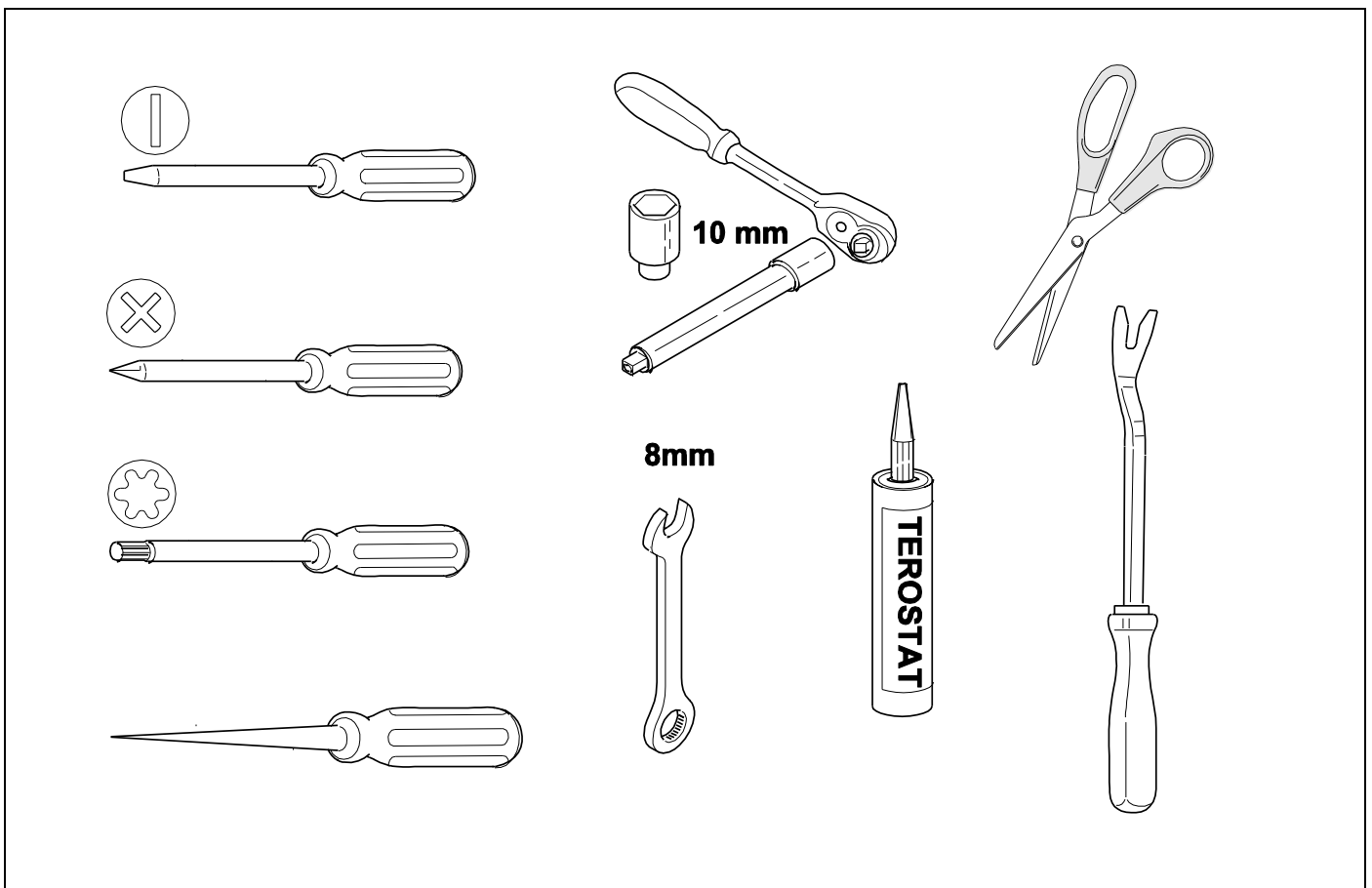
CAN

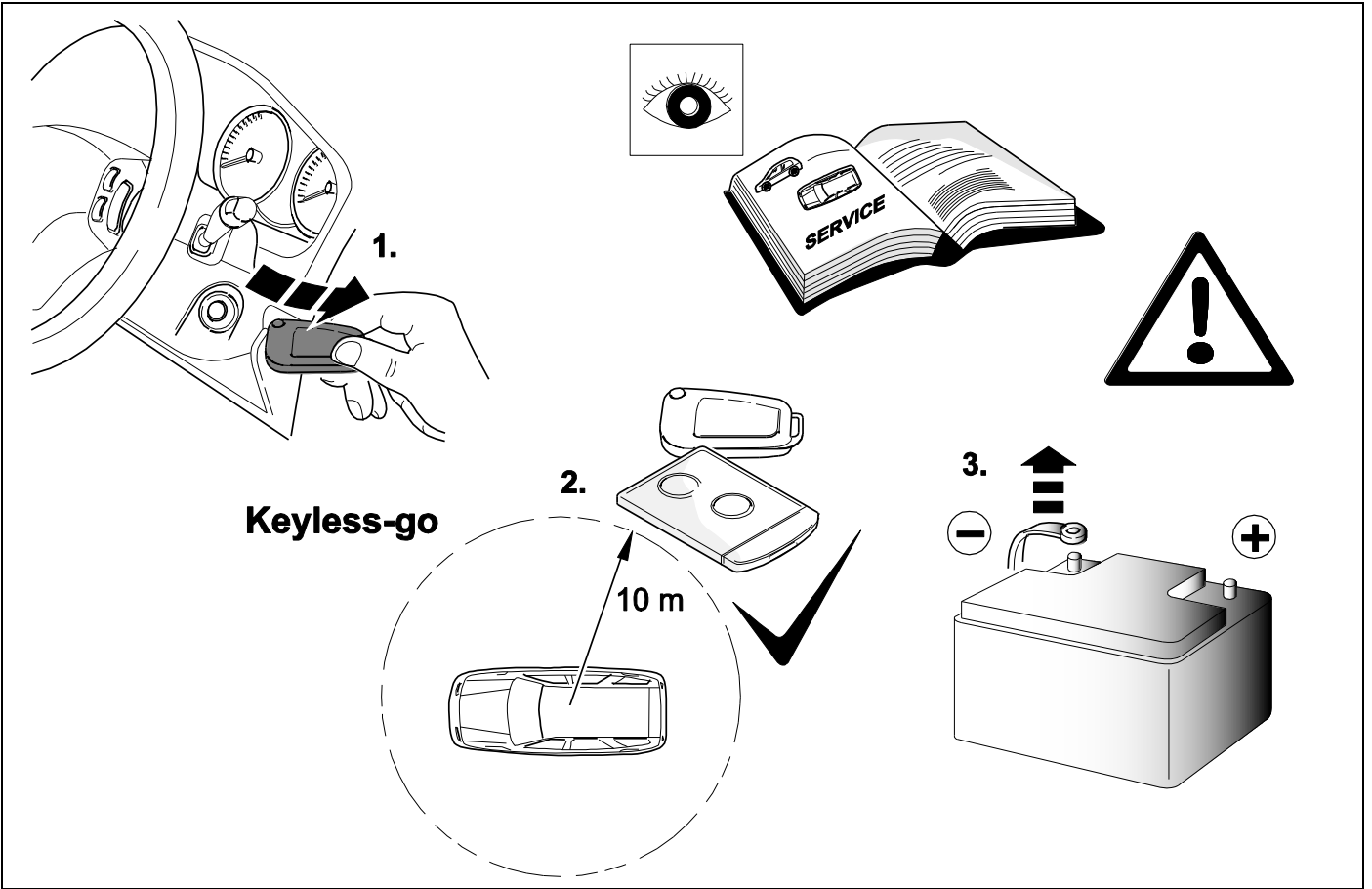


KIT



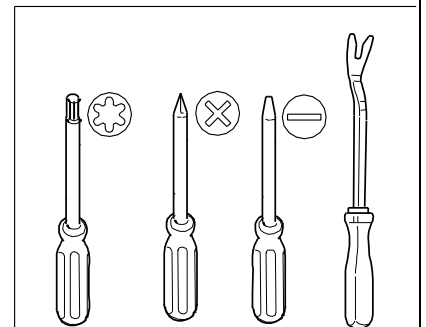
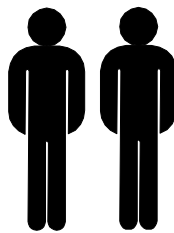
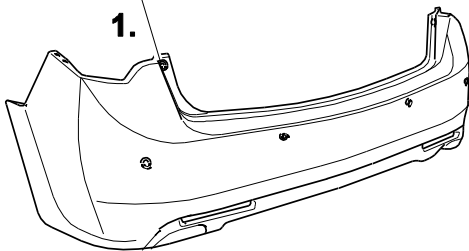
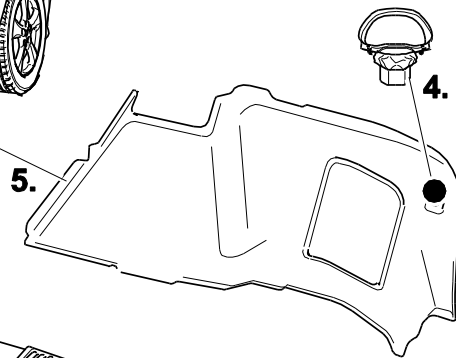
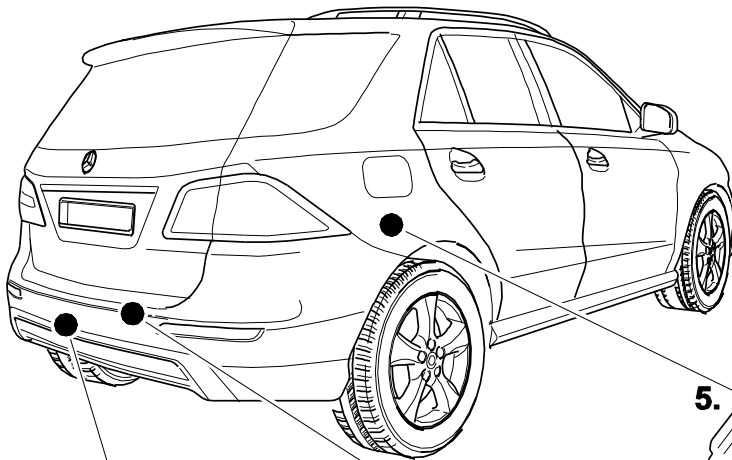
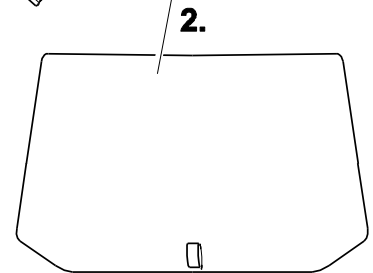
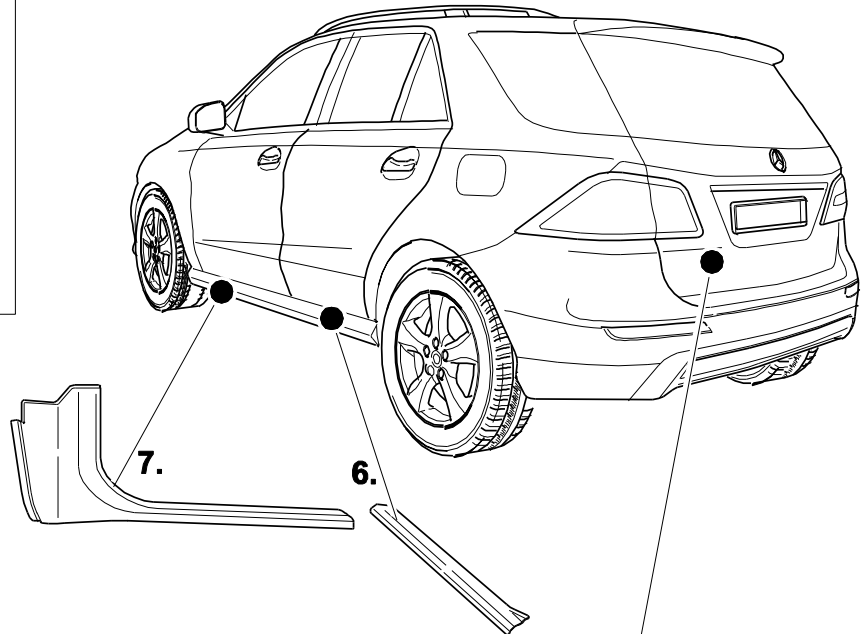
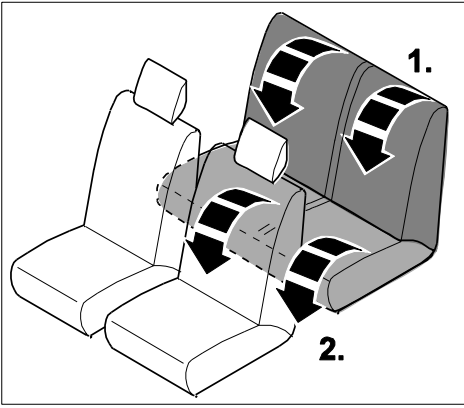
TOOLS





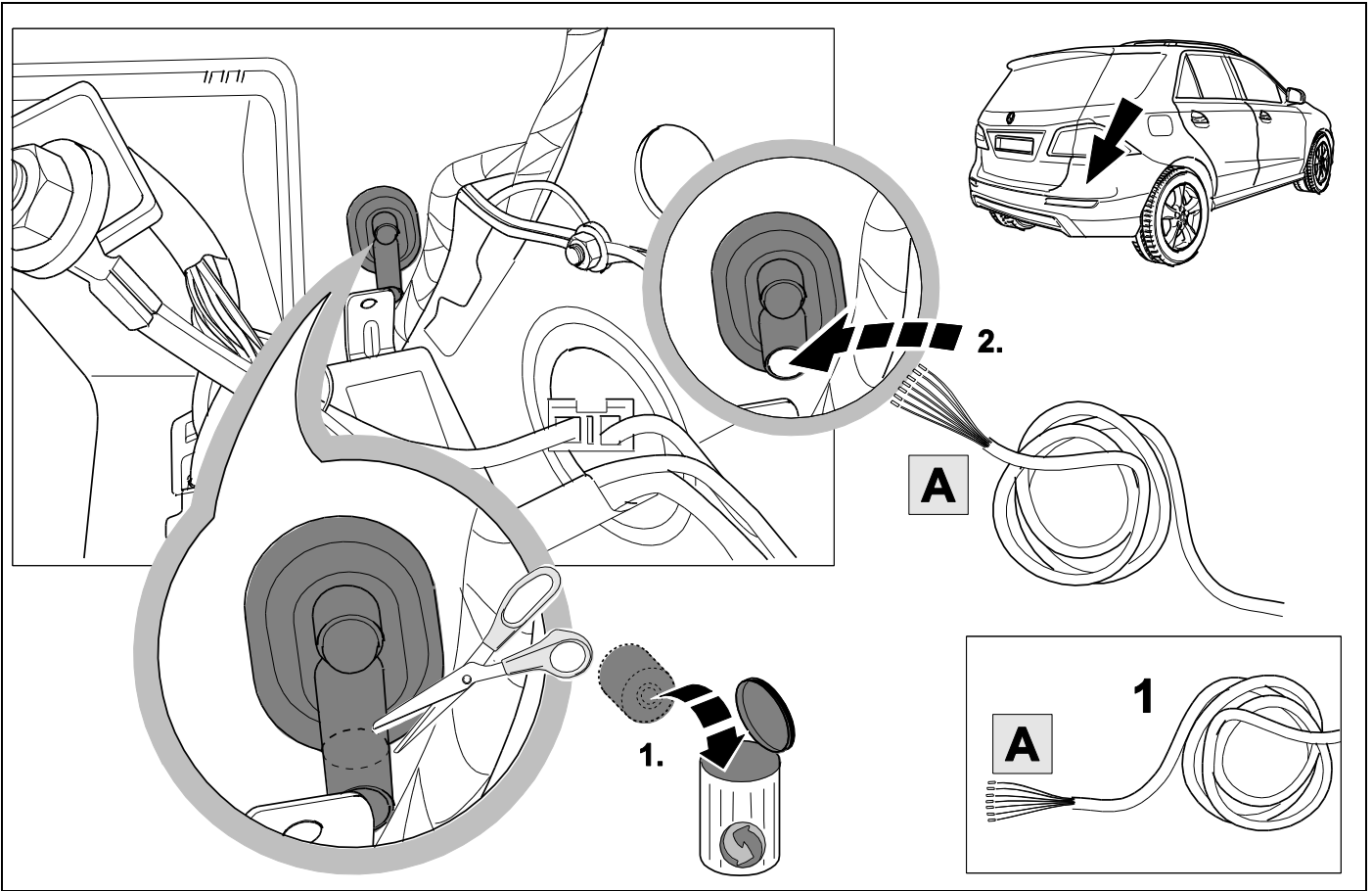
2 REMOVE

ML / GL / LGS Class



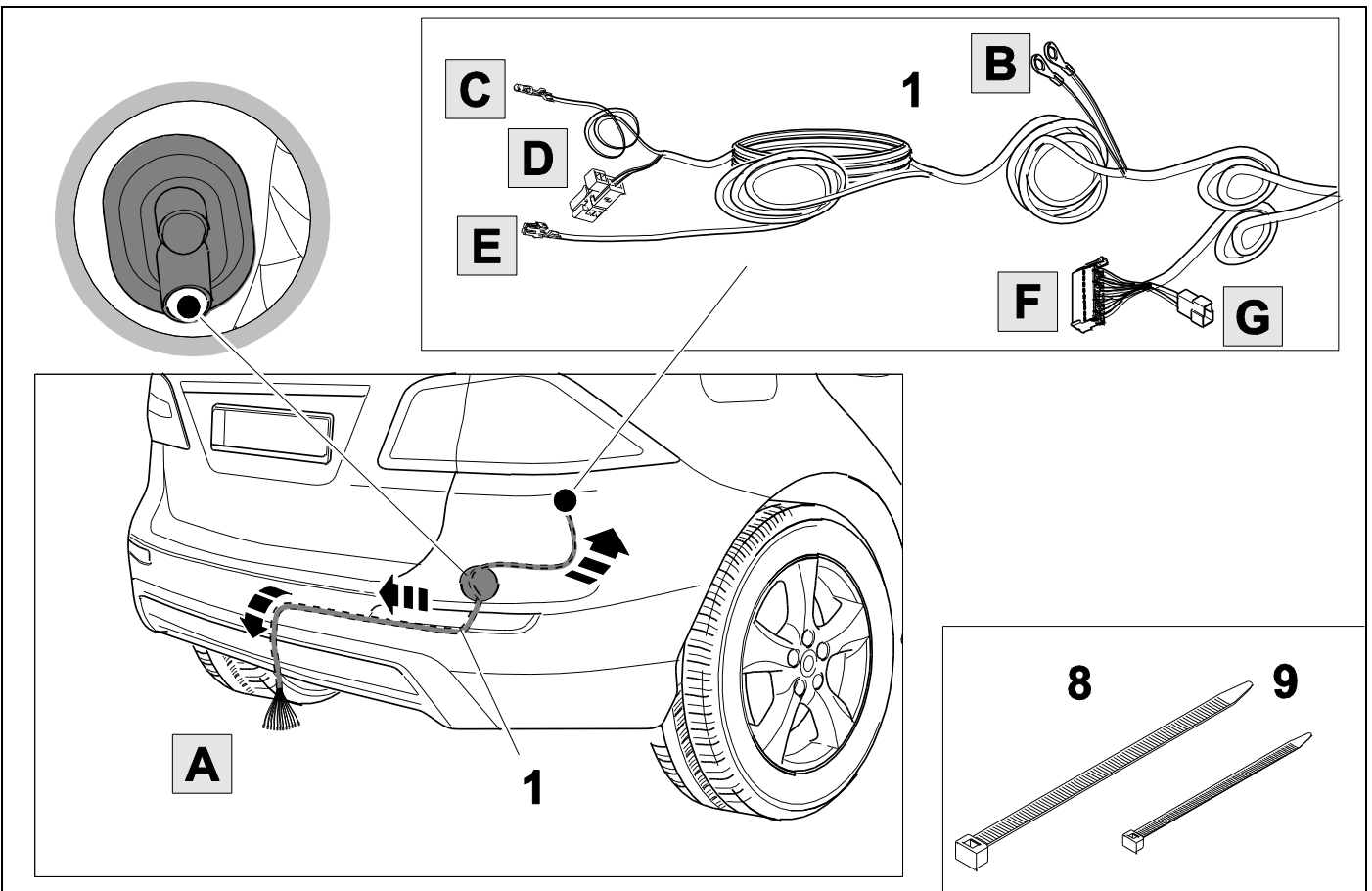
3

ML / GL / LGS Class



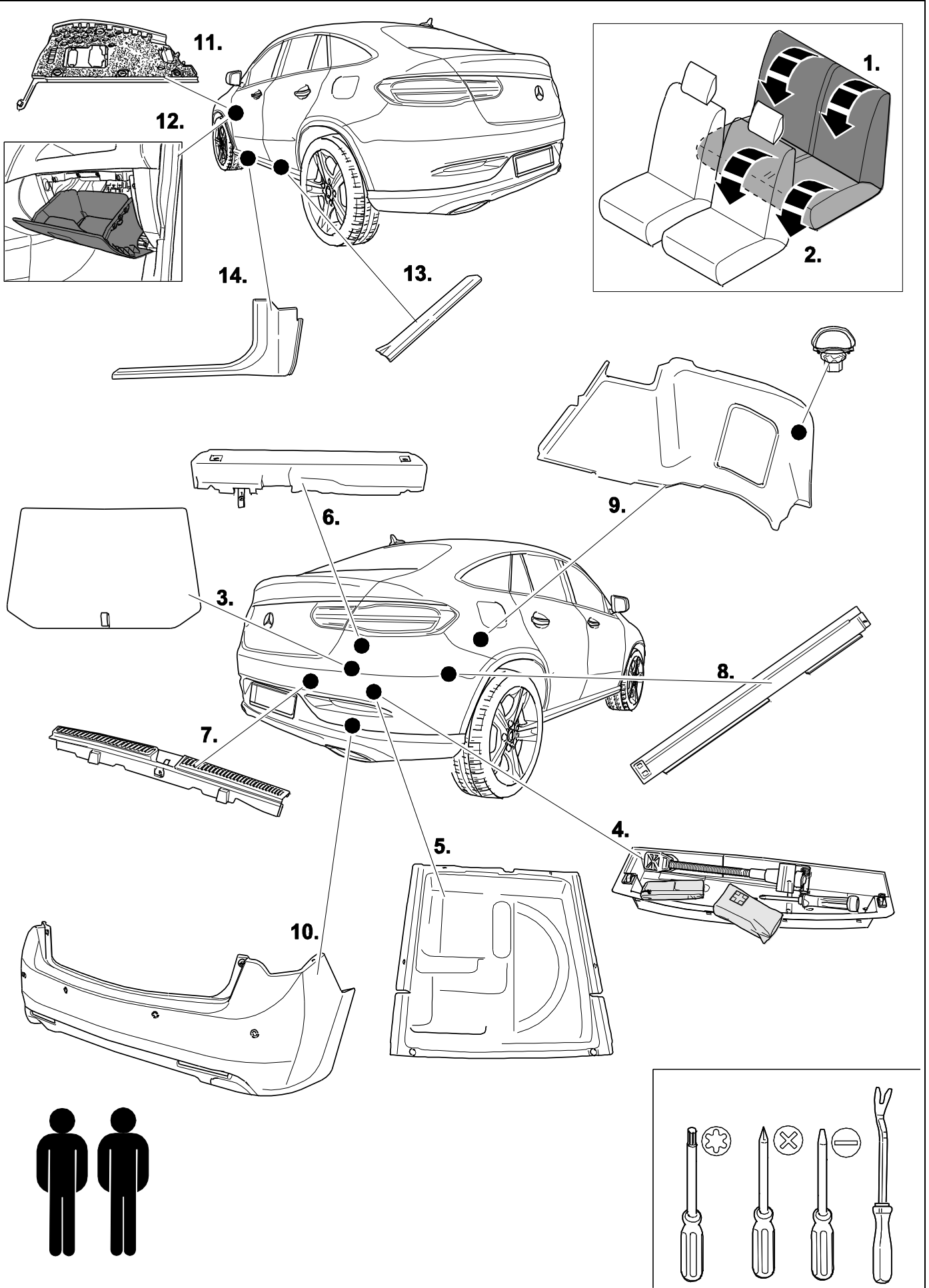
4

ML / GL / LGS Class



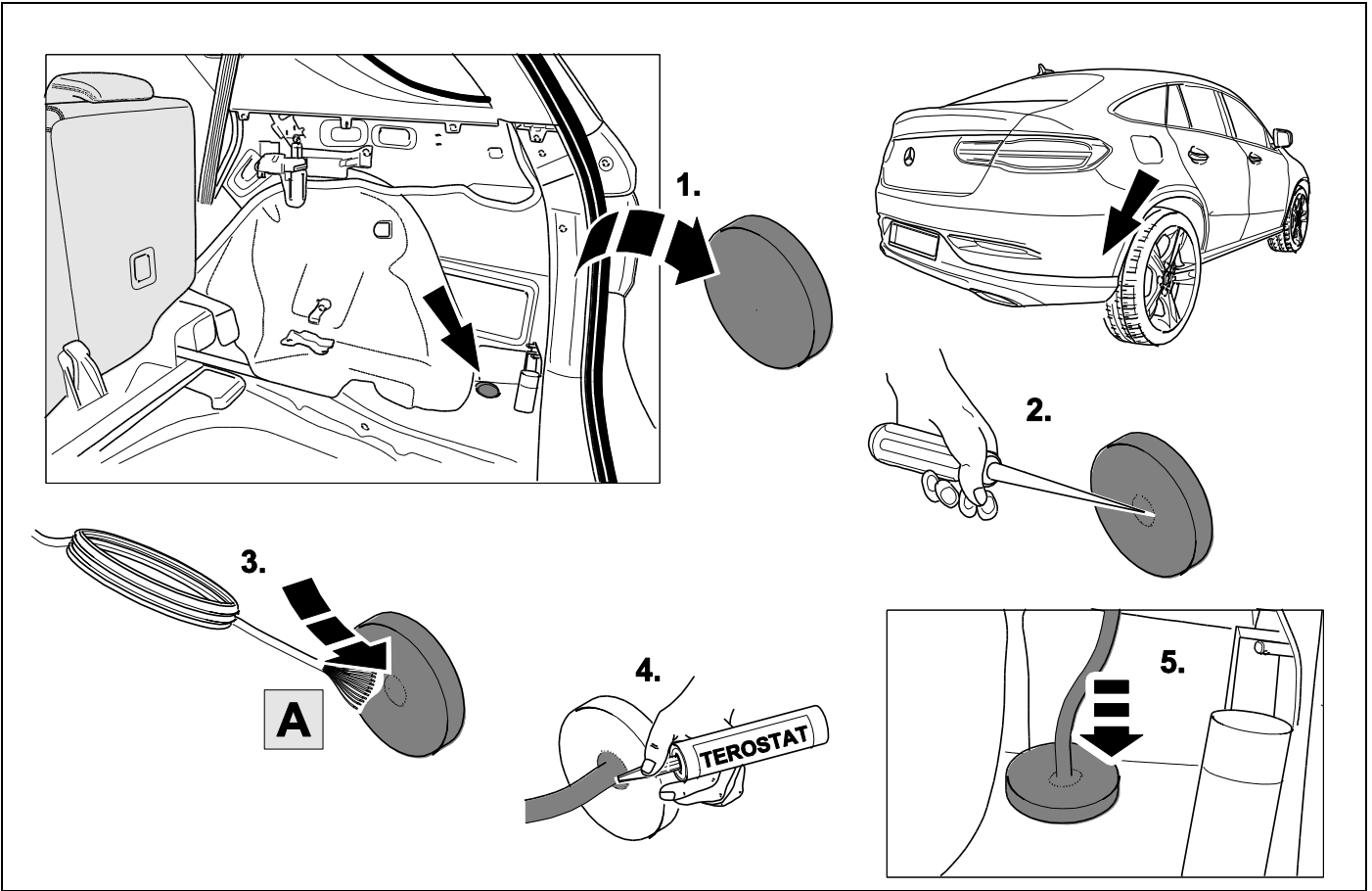
5 REMOVE

GLE / GLE Coupe



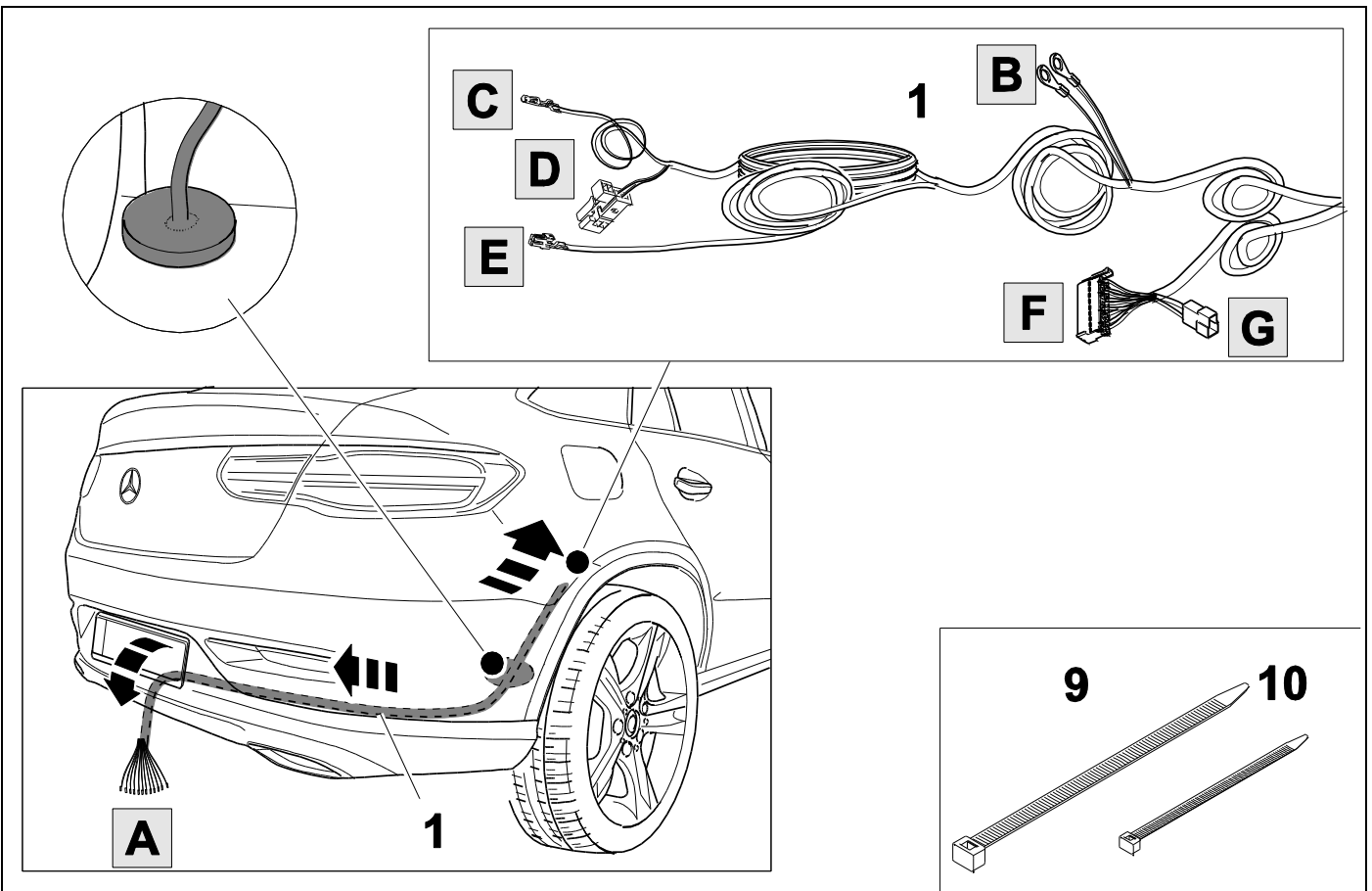
6

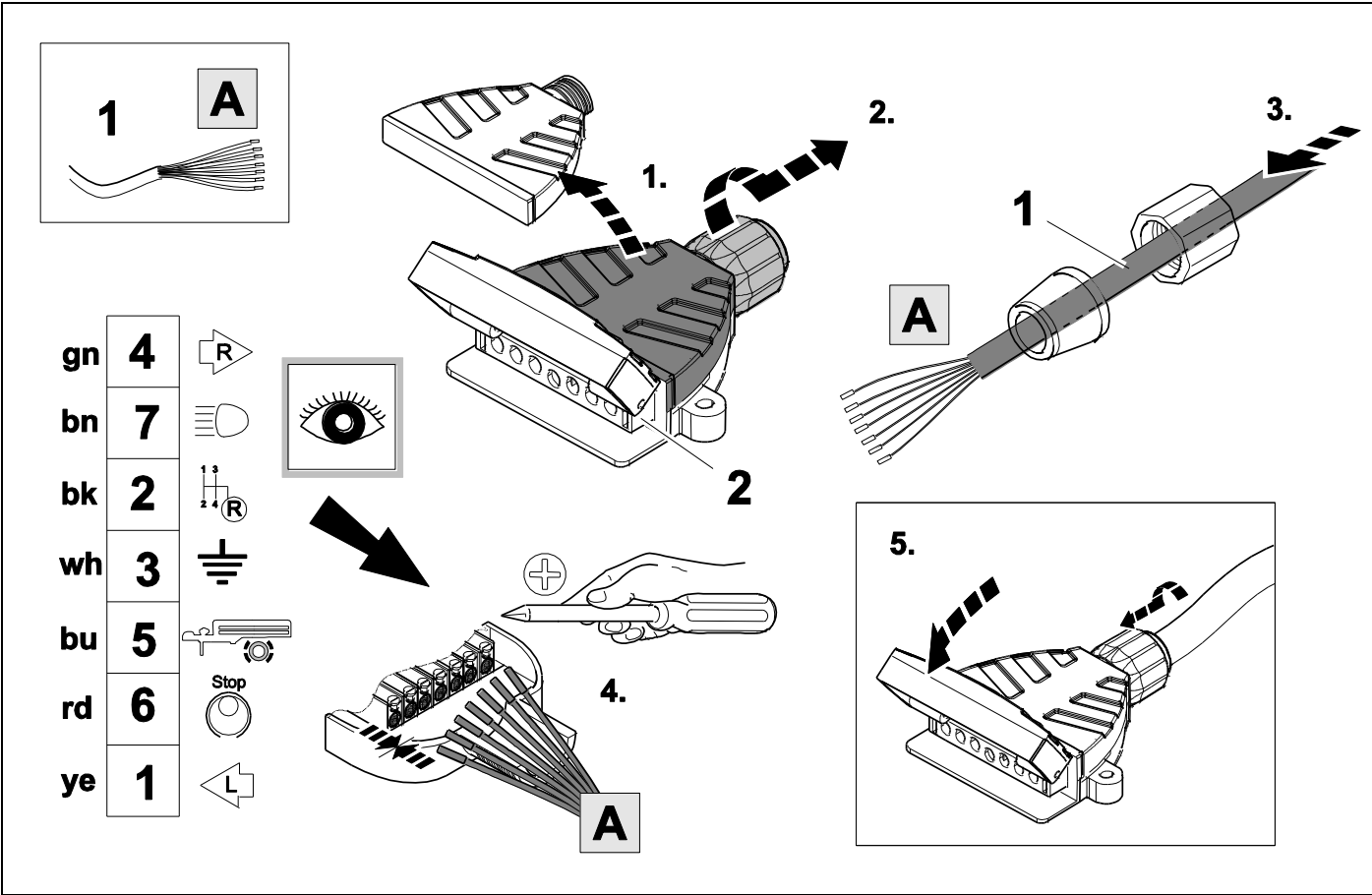
GLE / GLE Coupe



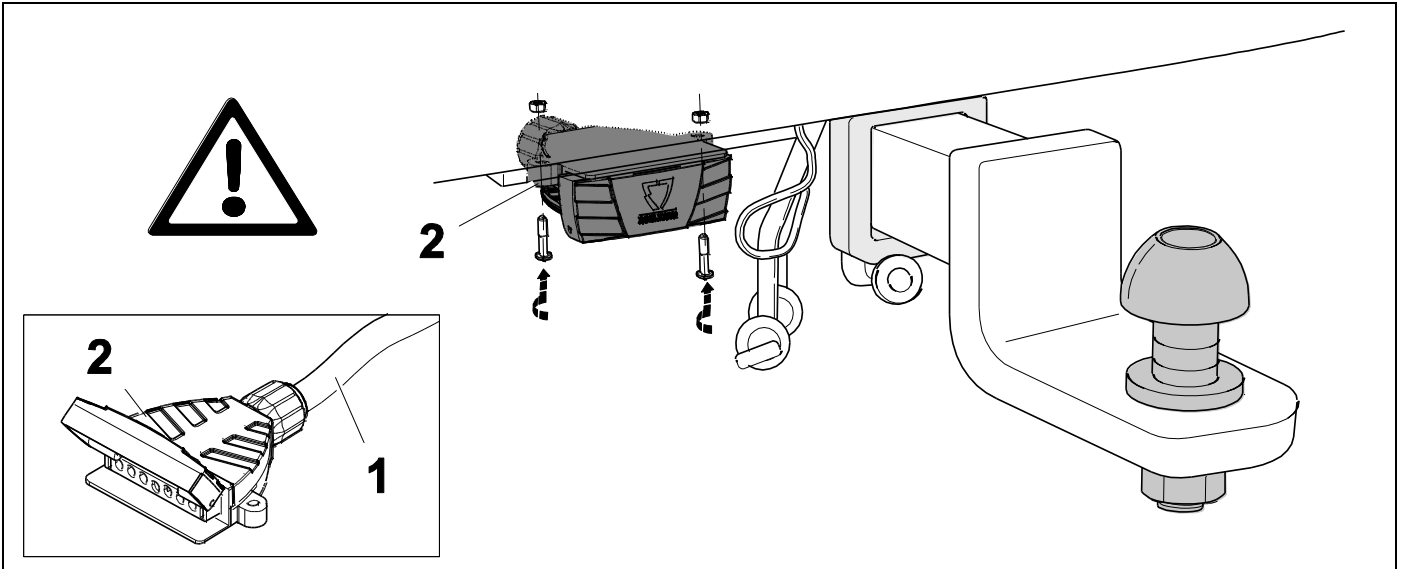
7

GLE / GLE Coupe





9



10



11

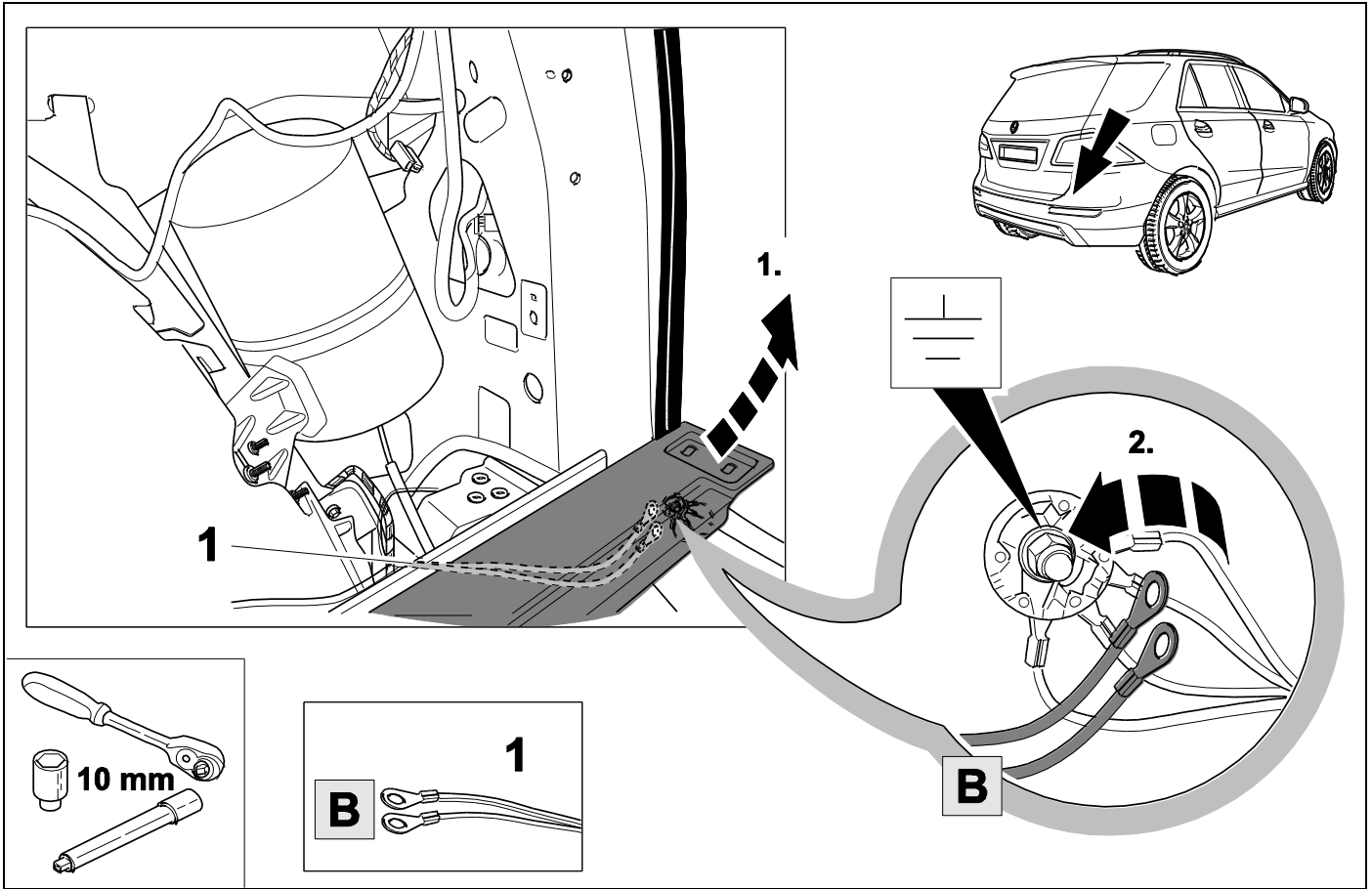
1	ye	
2	bk	
3	wh	
4	gn	
5	bu	
6	rd	
7	bn	

11	bk	wh	gy	gn	rd	bu	ye	bn	pu	or	no
	black	white	grey	green	red	blue	yellow	brown	purple	orange	not occupied

12

ML Class

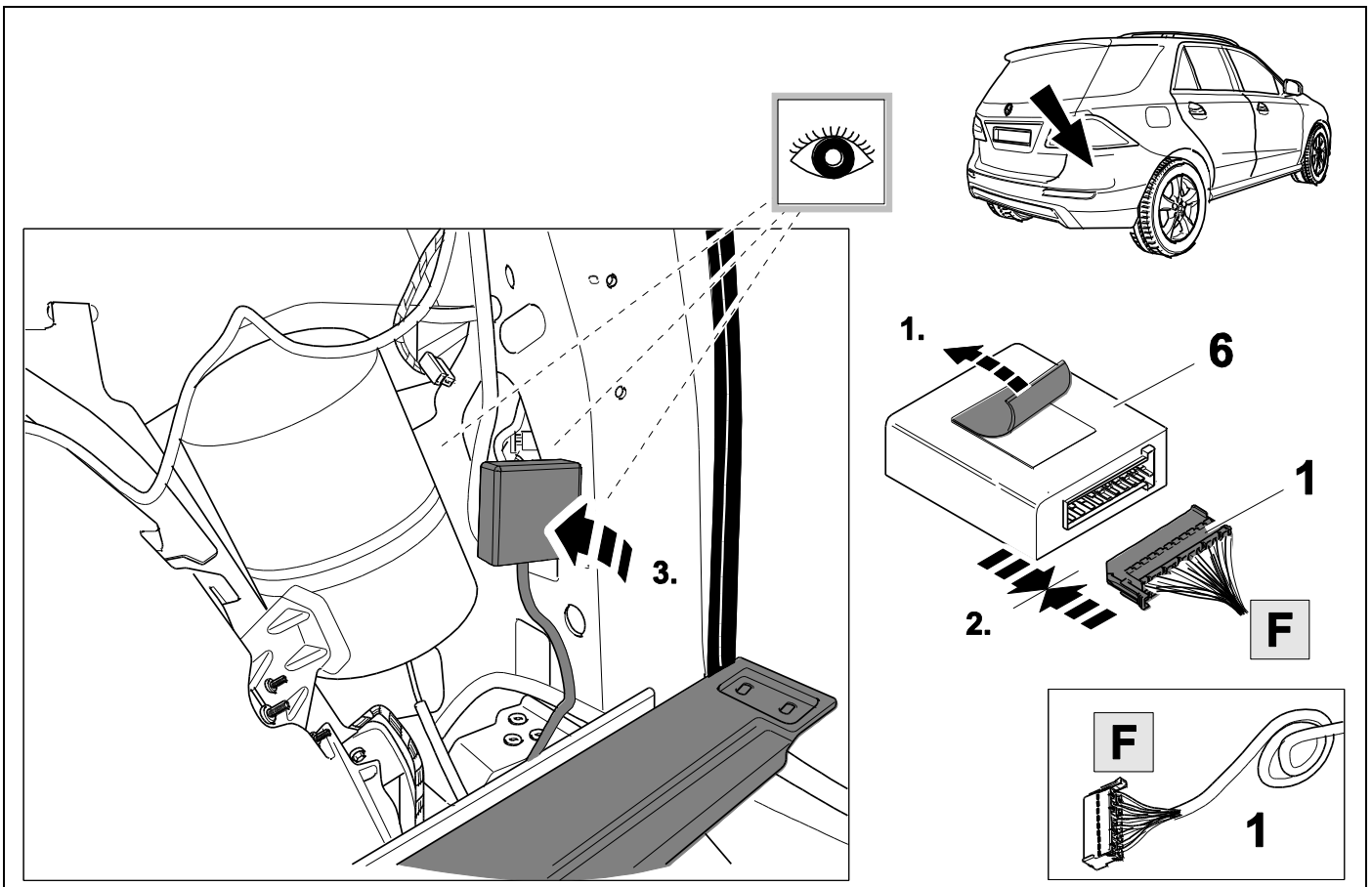
GLE / GLE Coupe



13

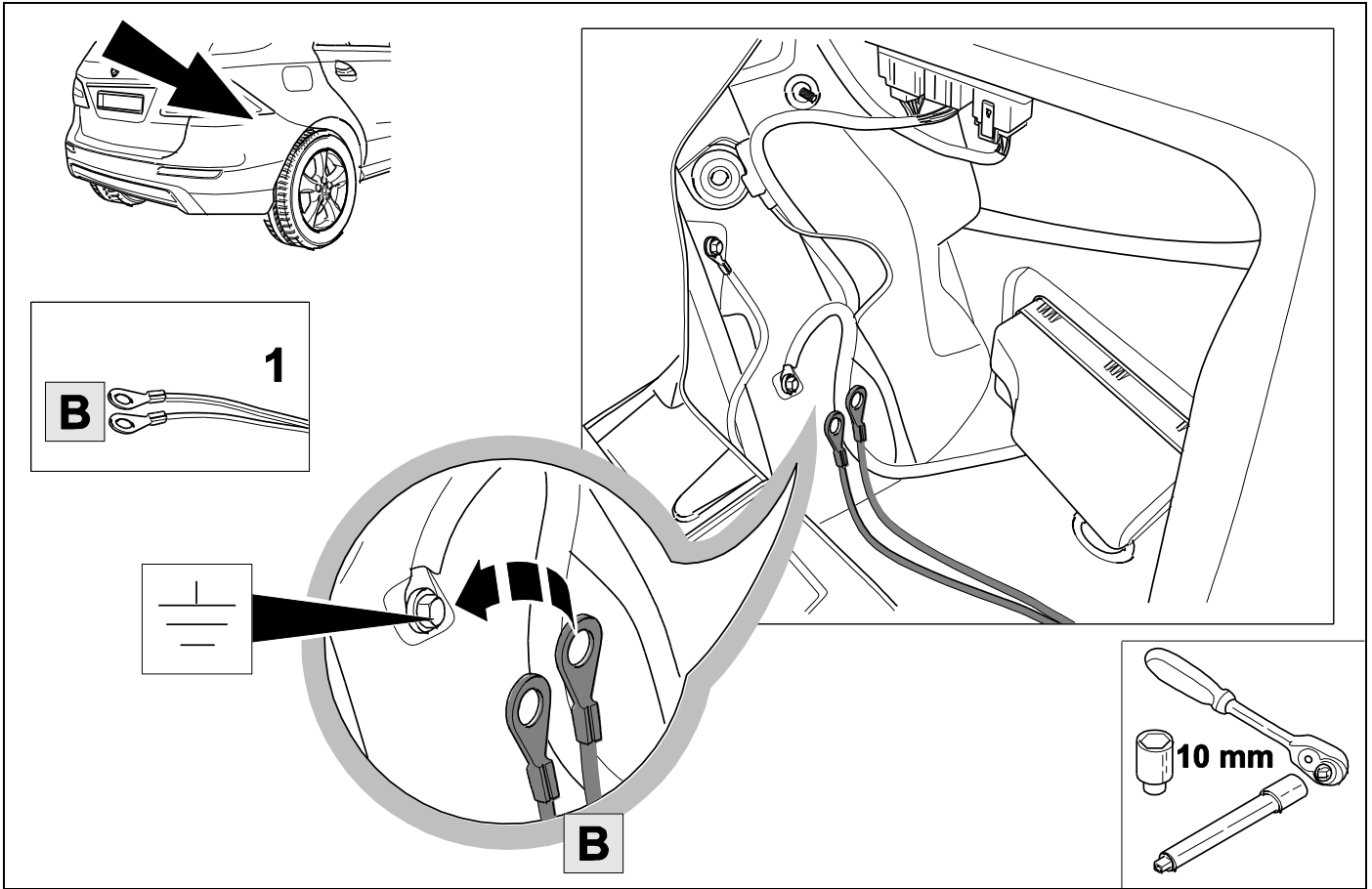
ML Class

GLE / GLE Coupe



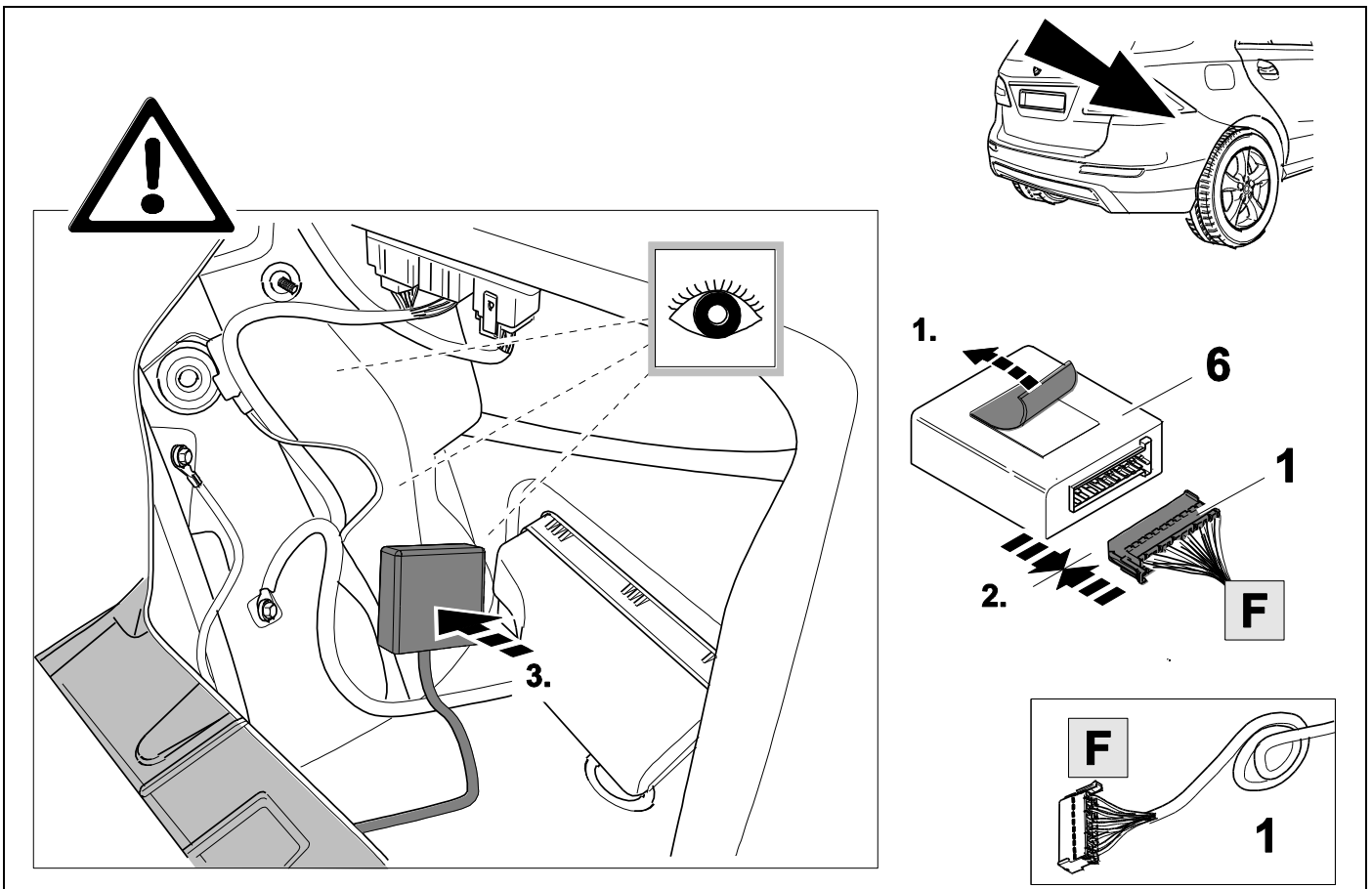
14

GL / GLS Class



15

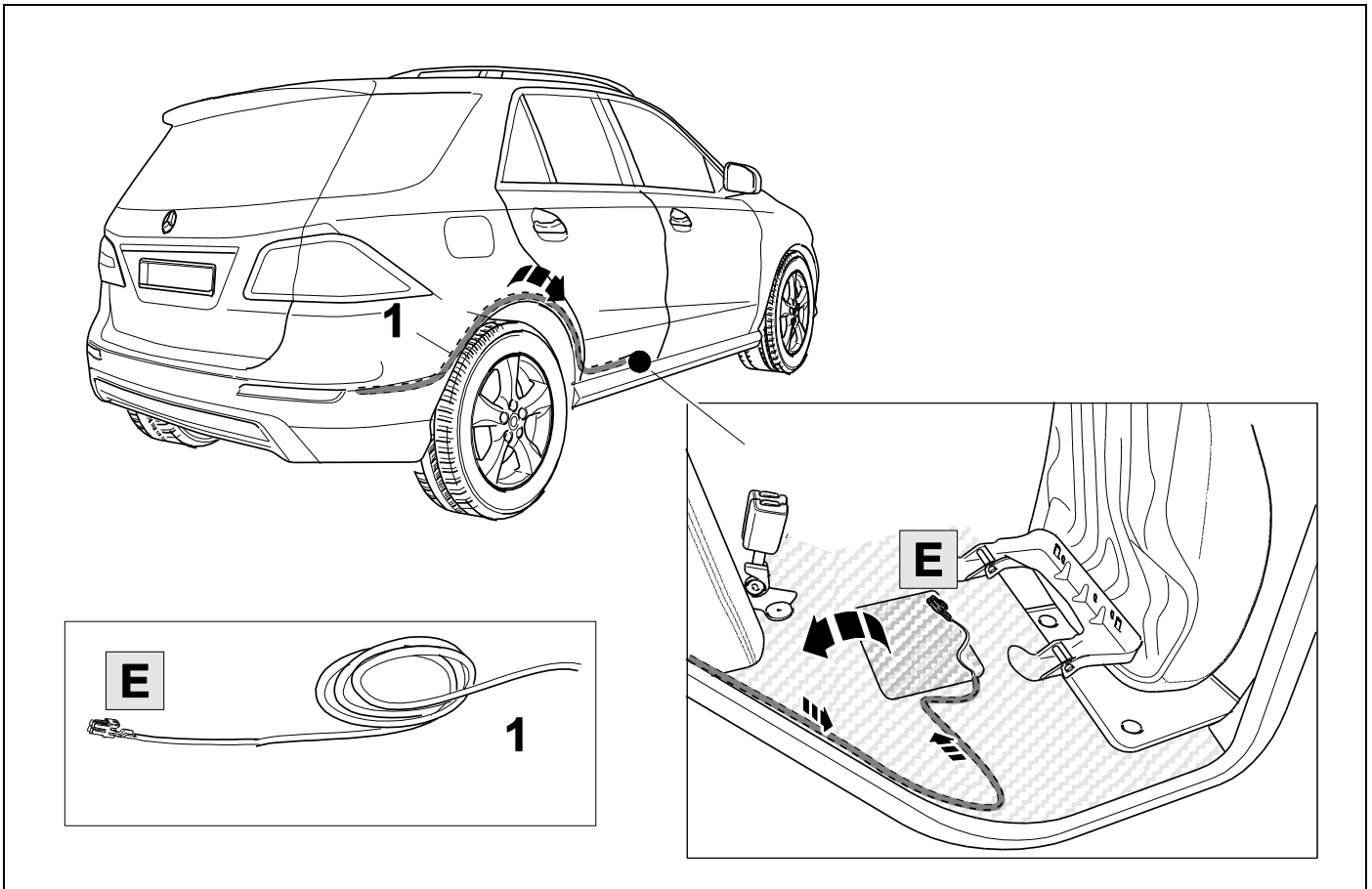
GL / GLS Class



16

ML Class

GLE / GLE Coupe



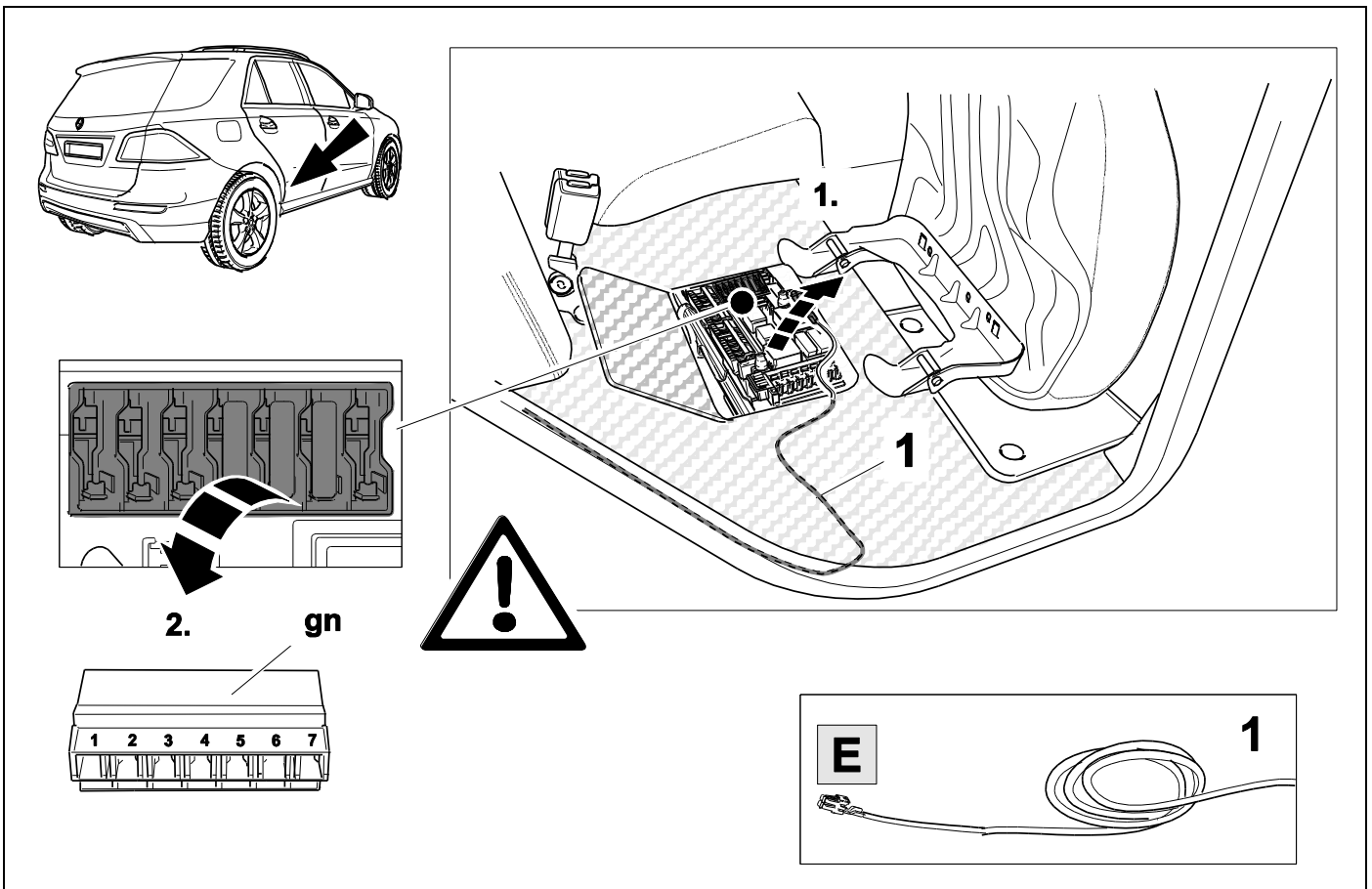
17

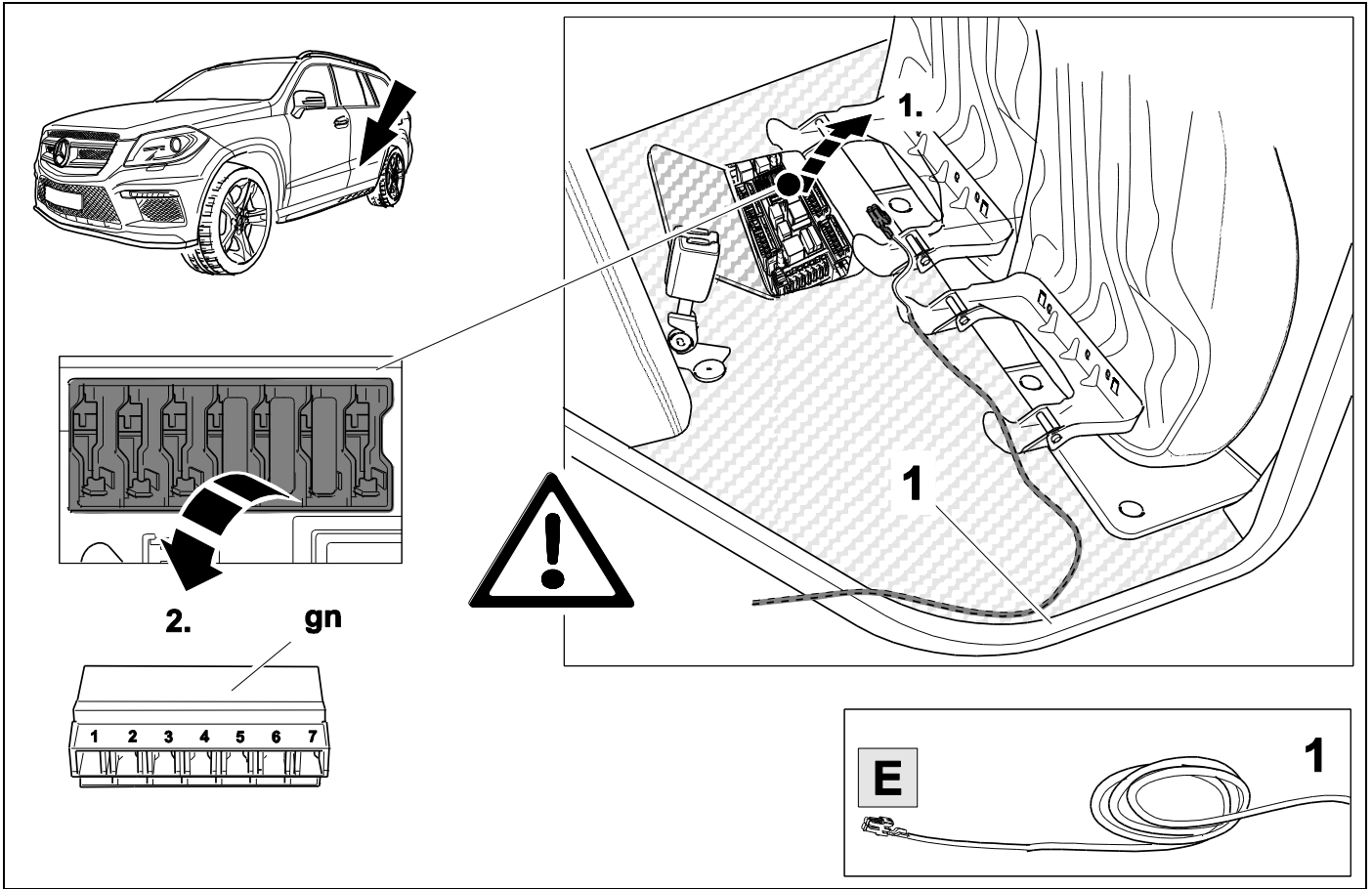
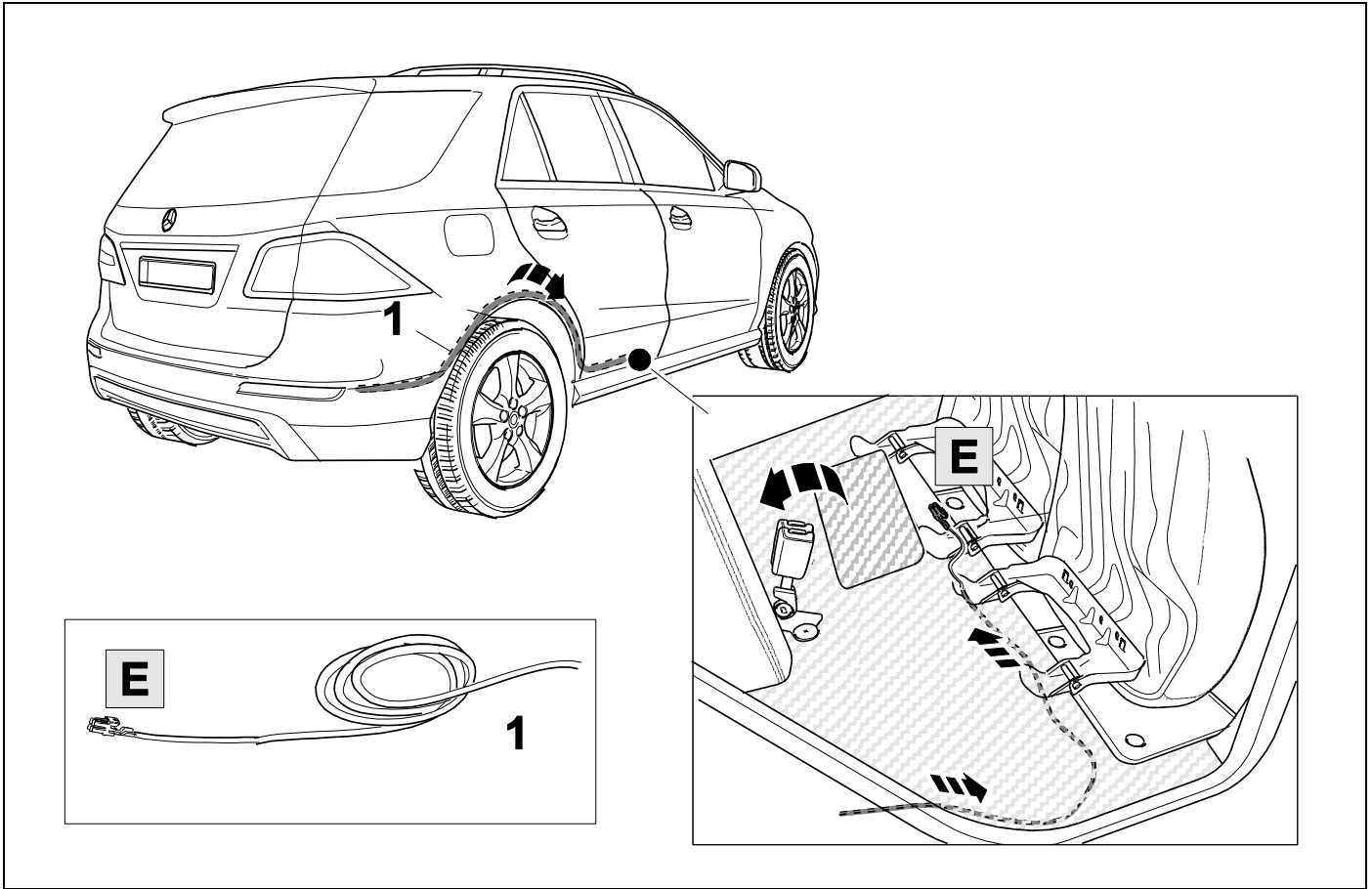
ML Class



11

GLE / GLE Coupe





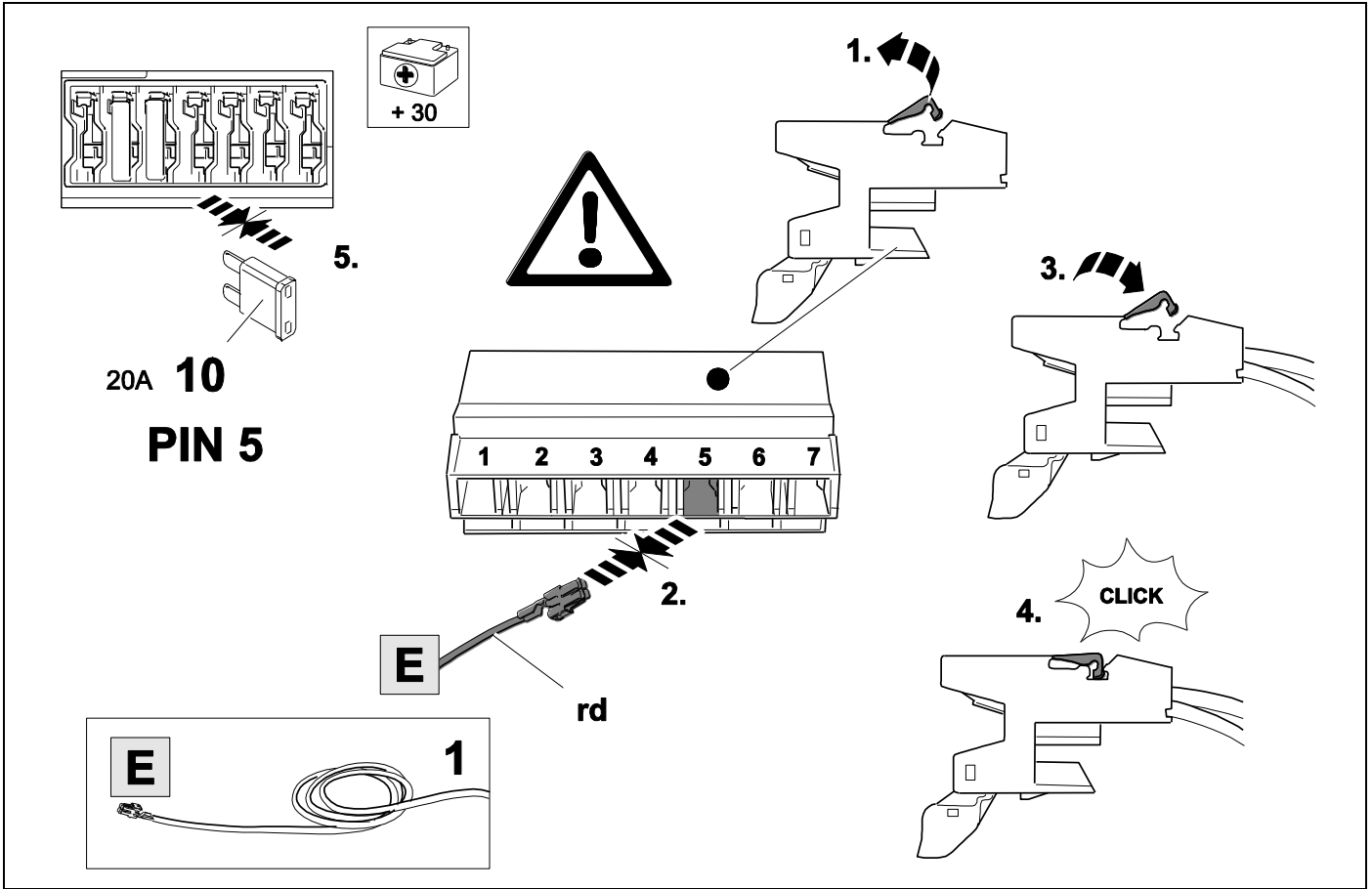
20



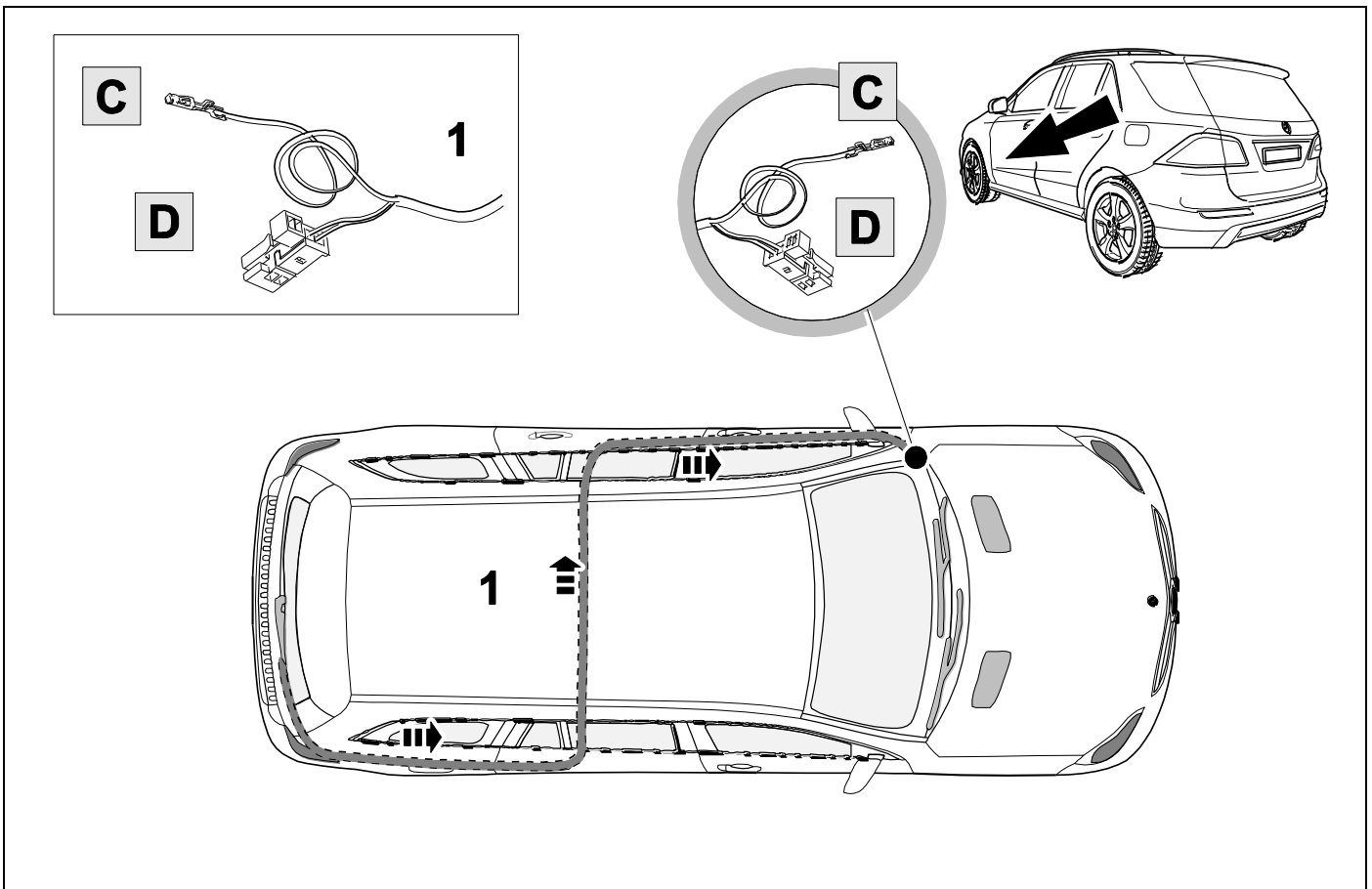
11

+

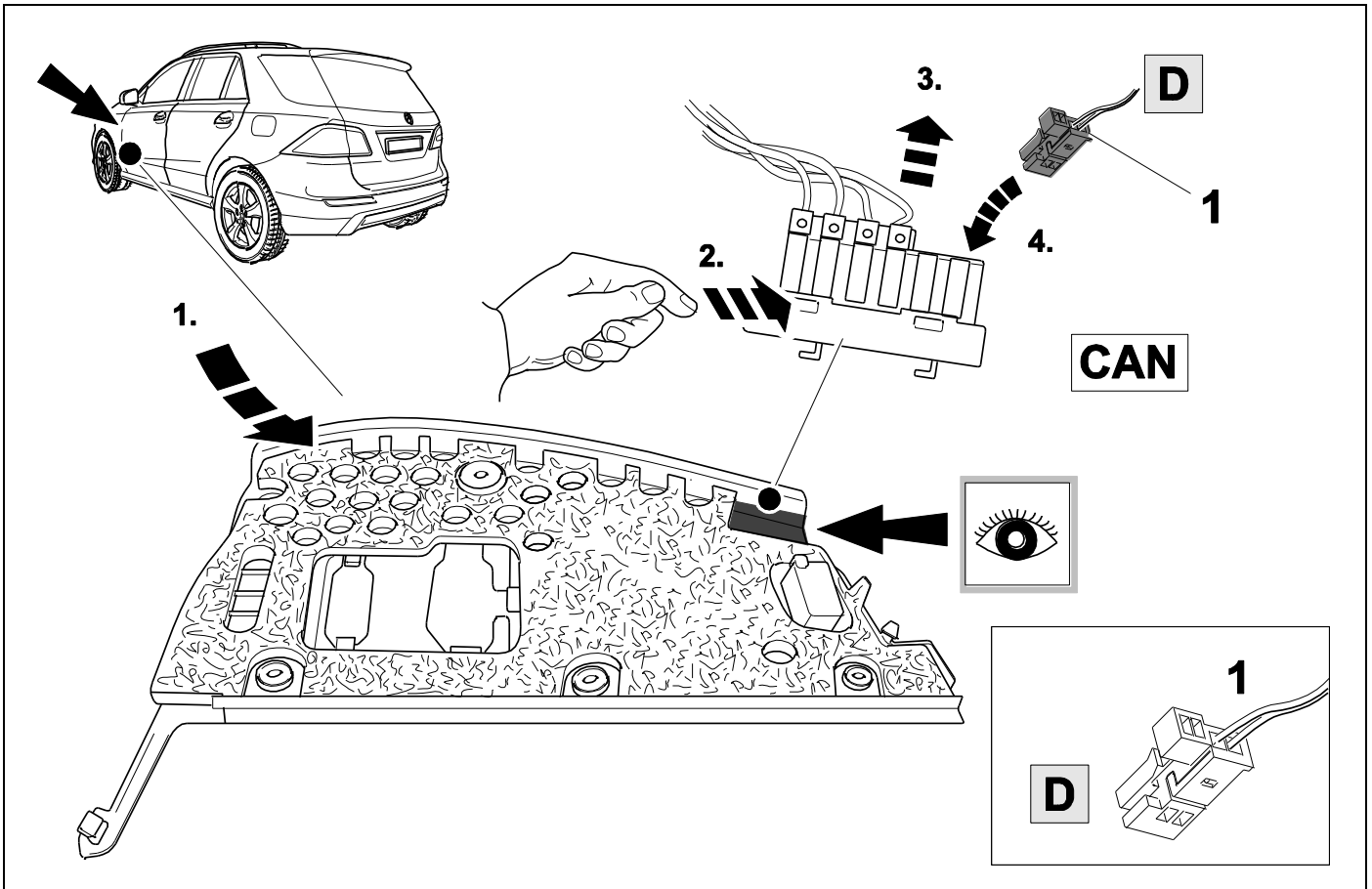
30



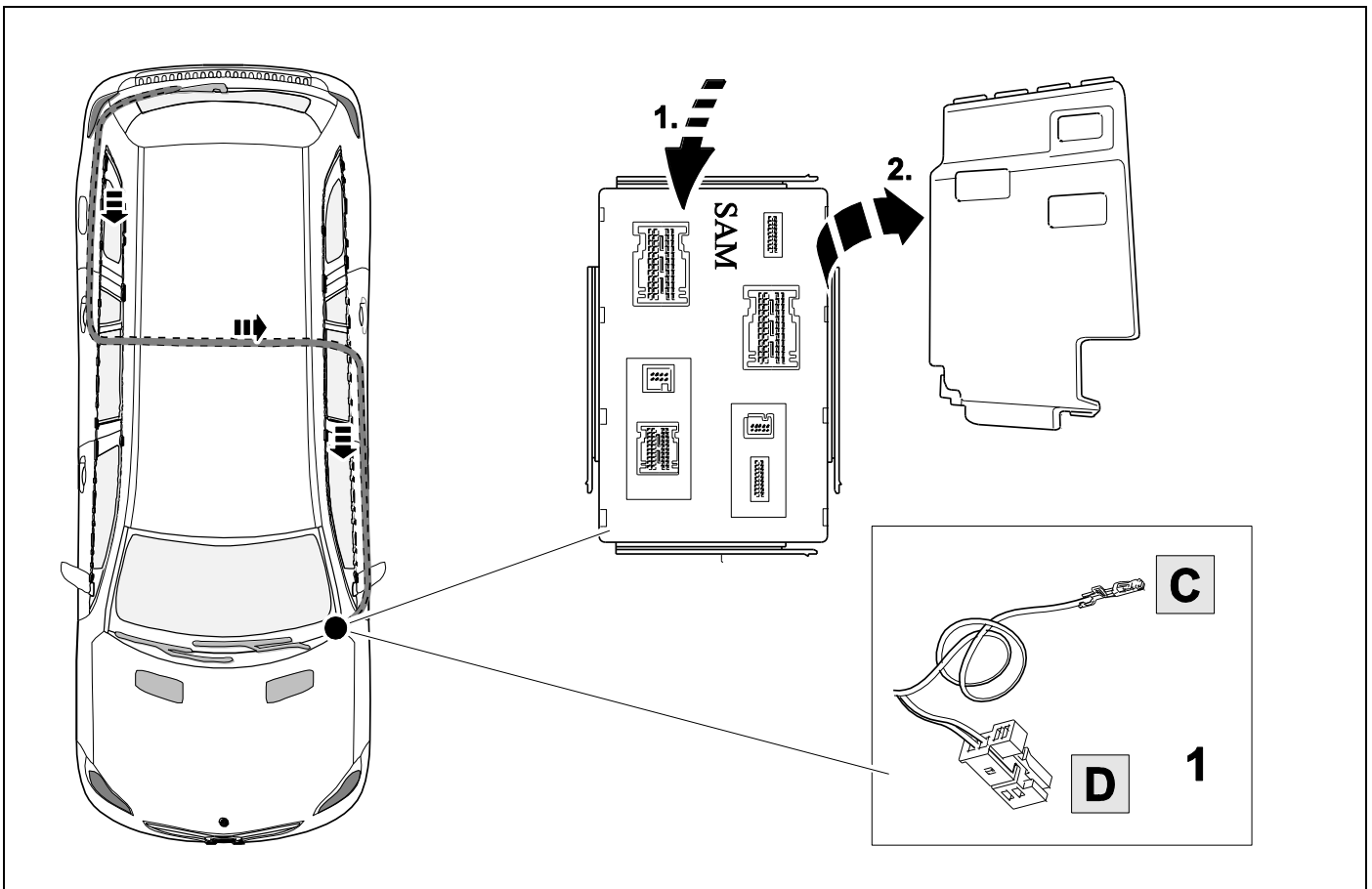
21

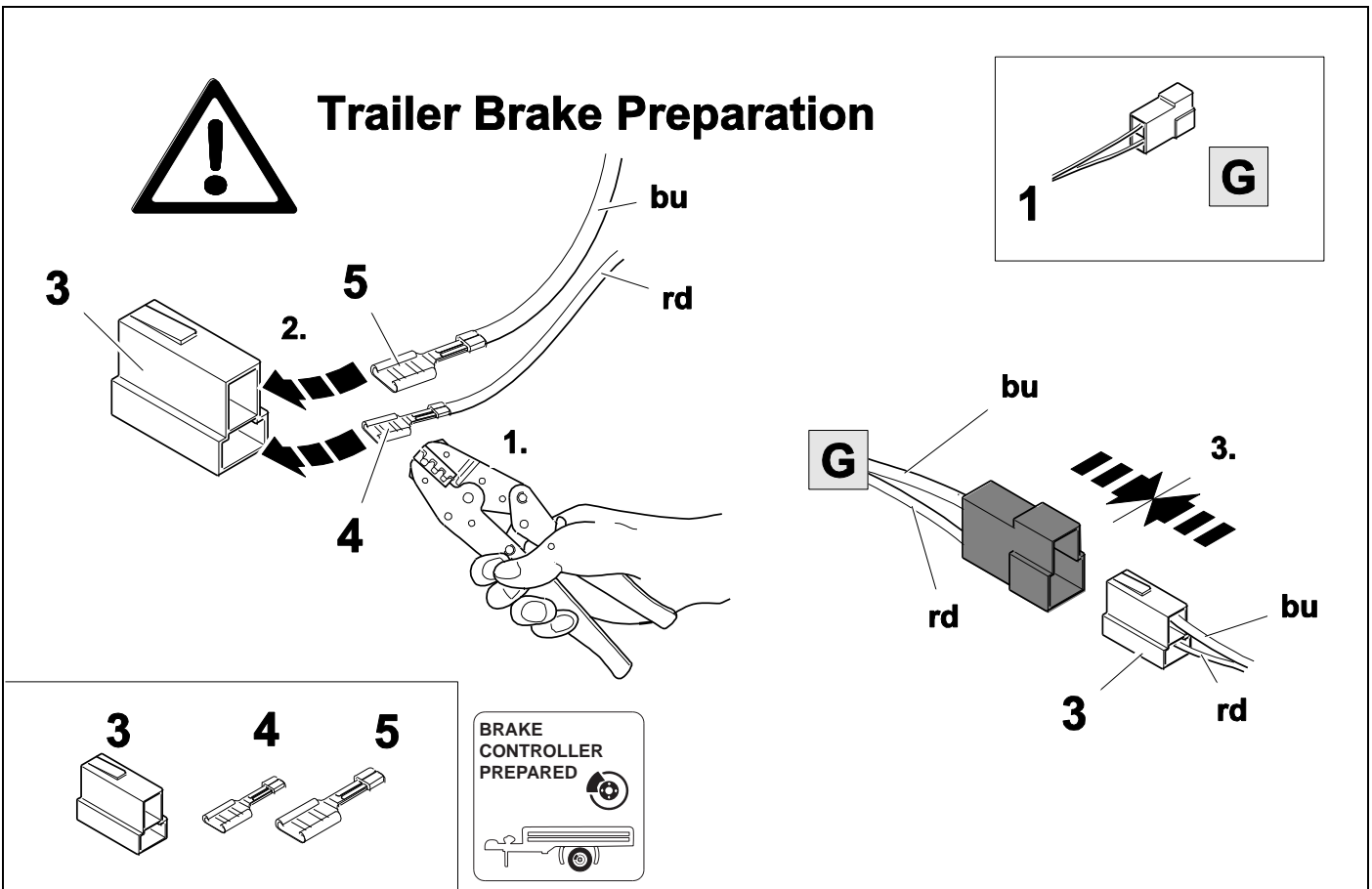
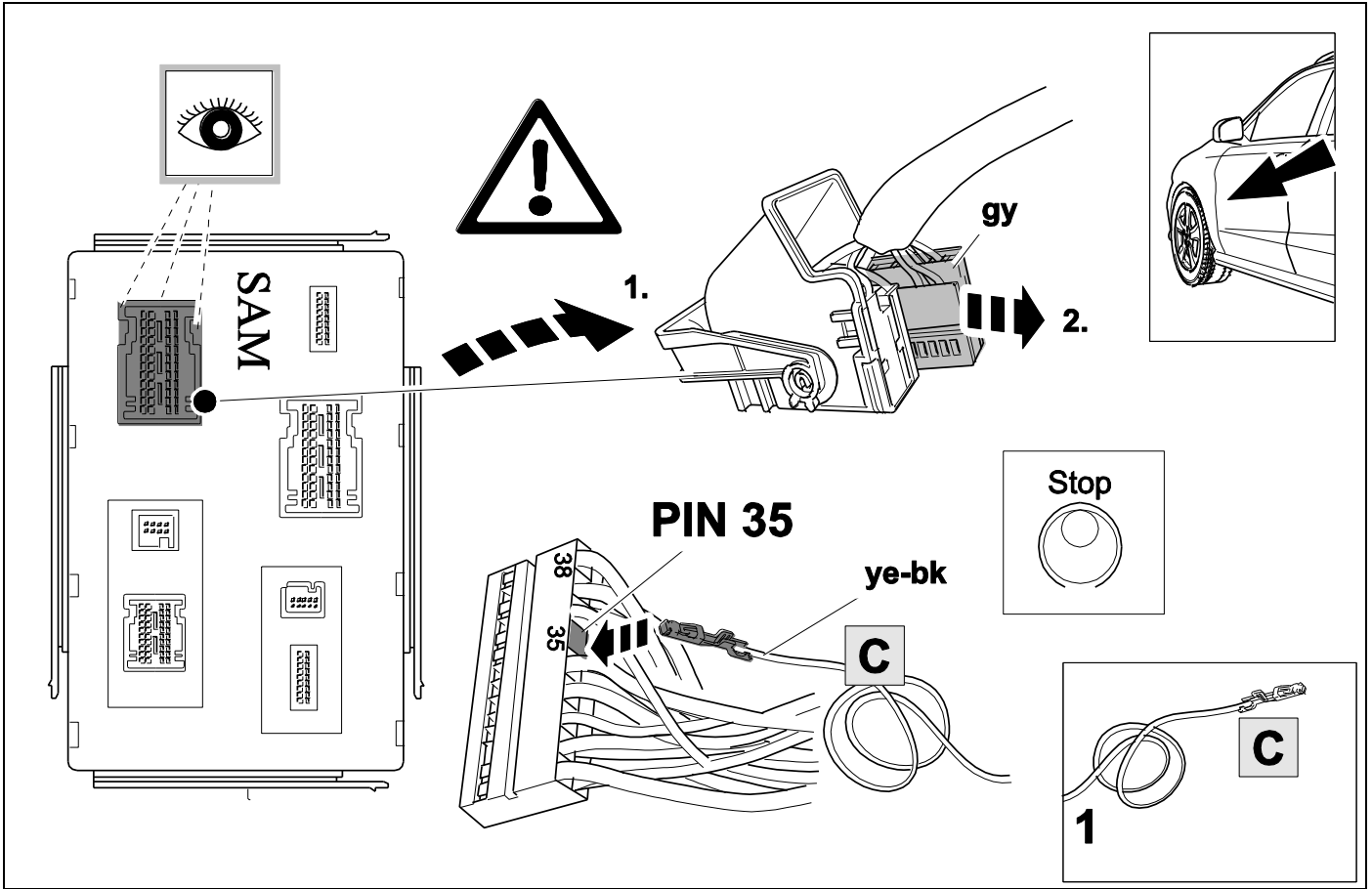


22

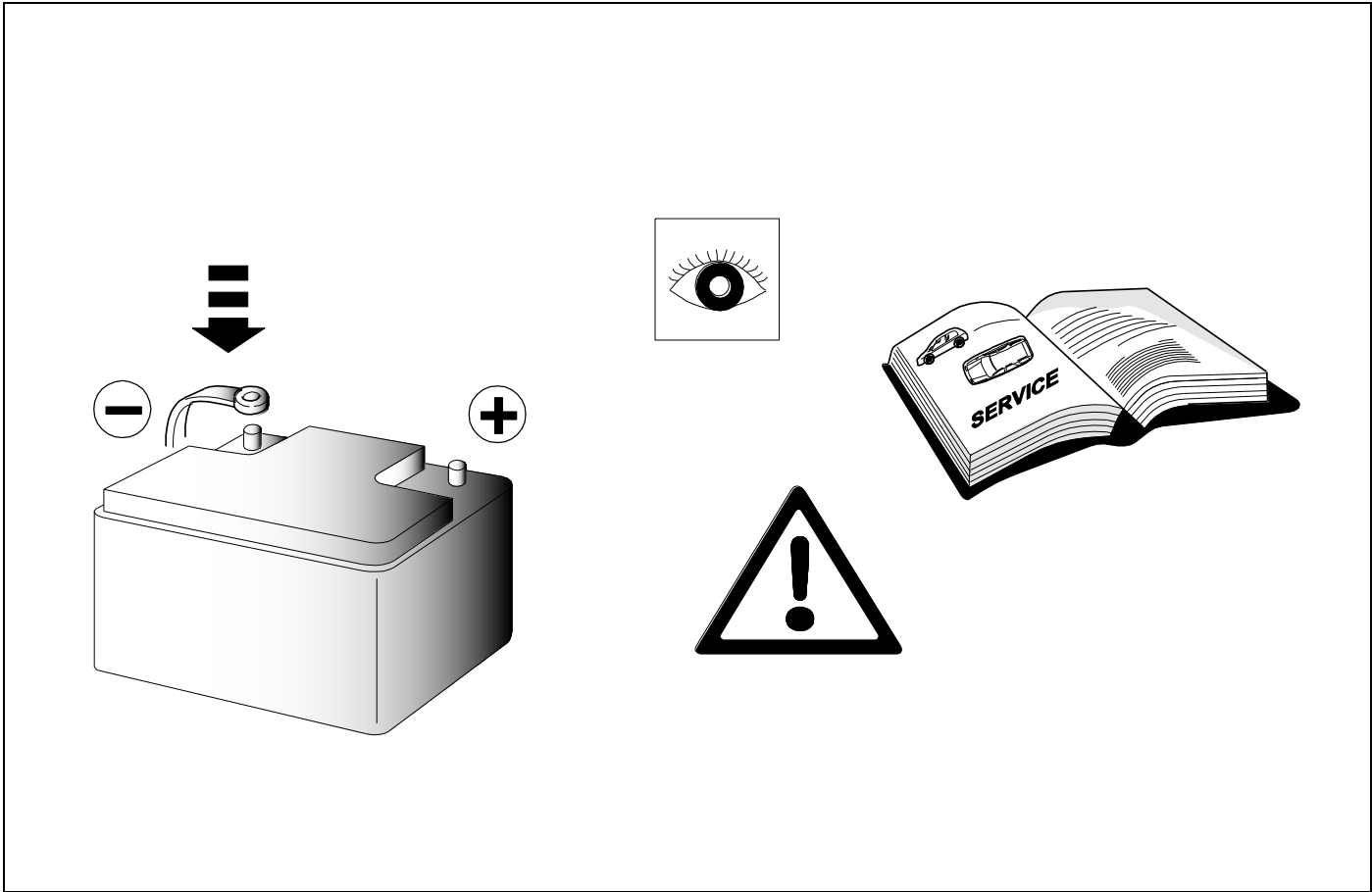


23

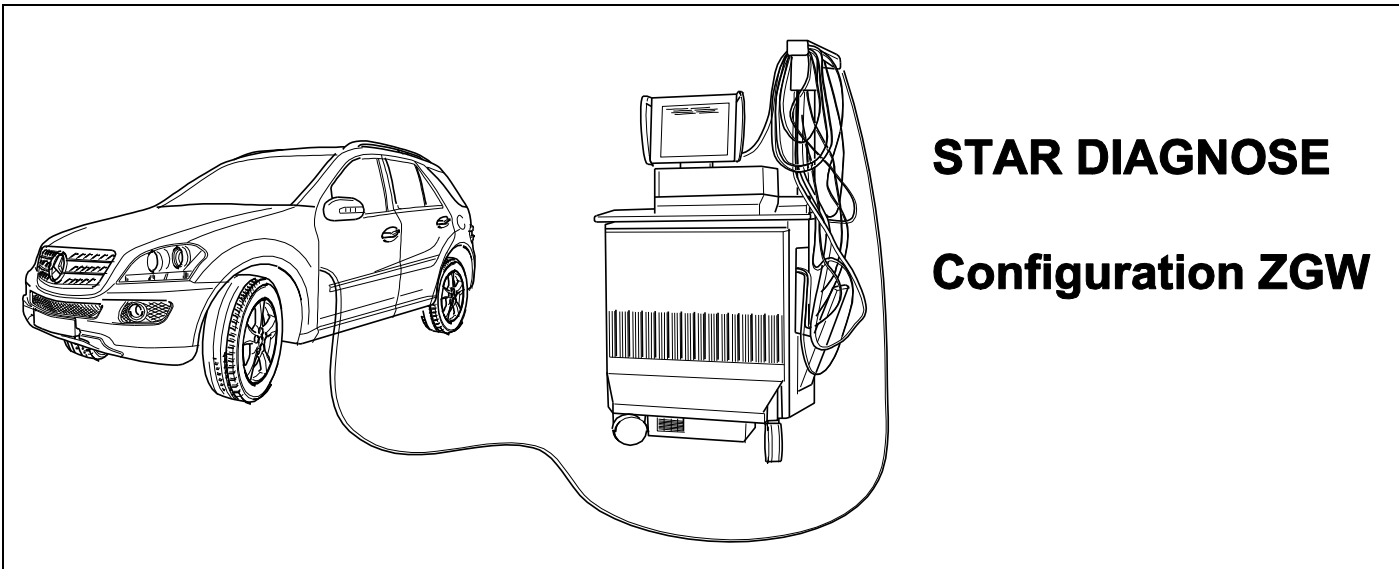




26

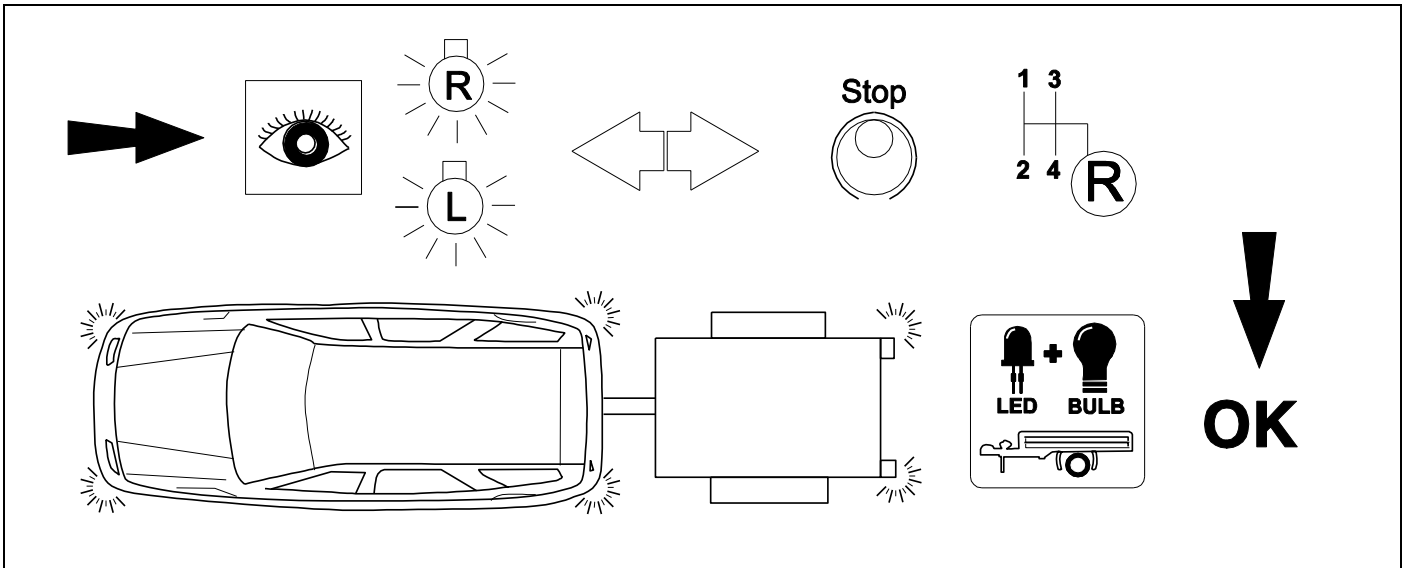


27



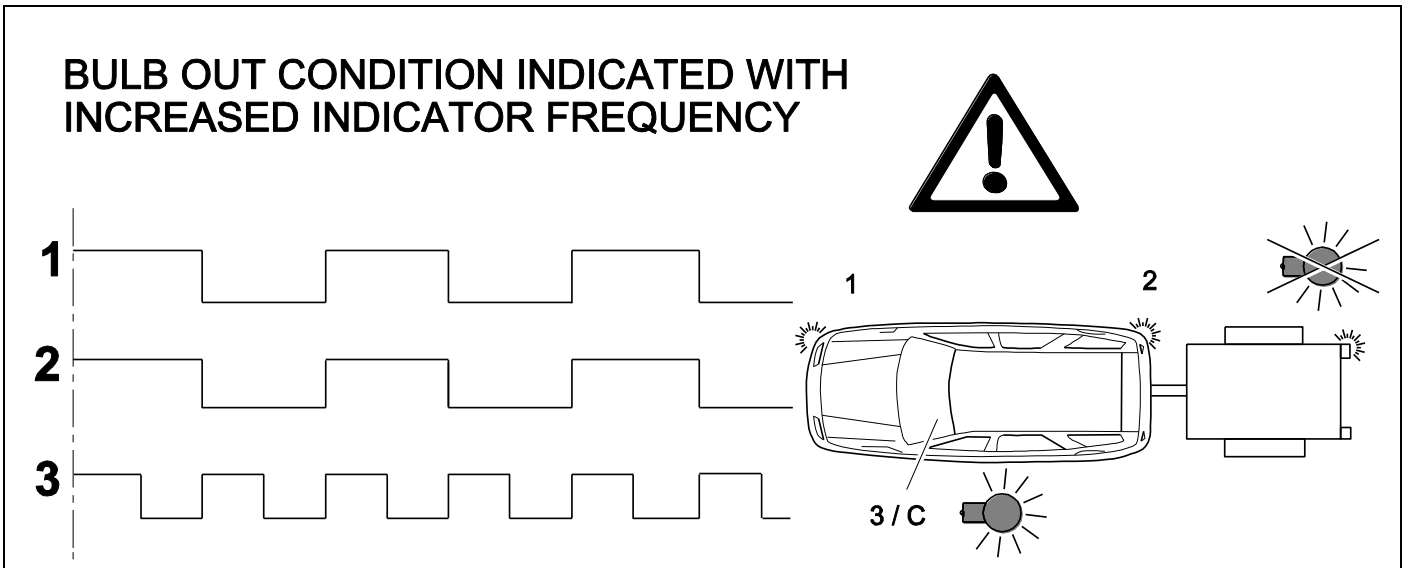
28

CHECK ALL LIGHTING FUNCTIONS



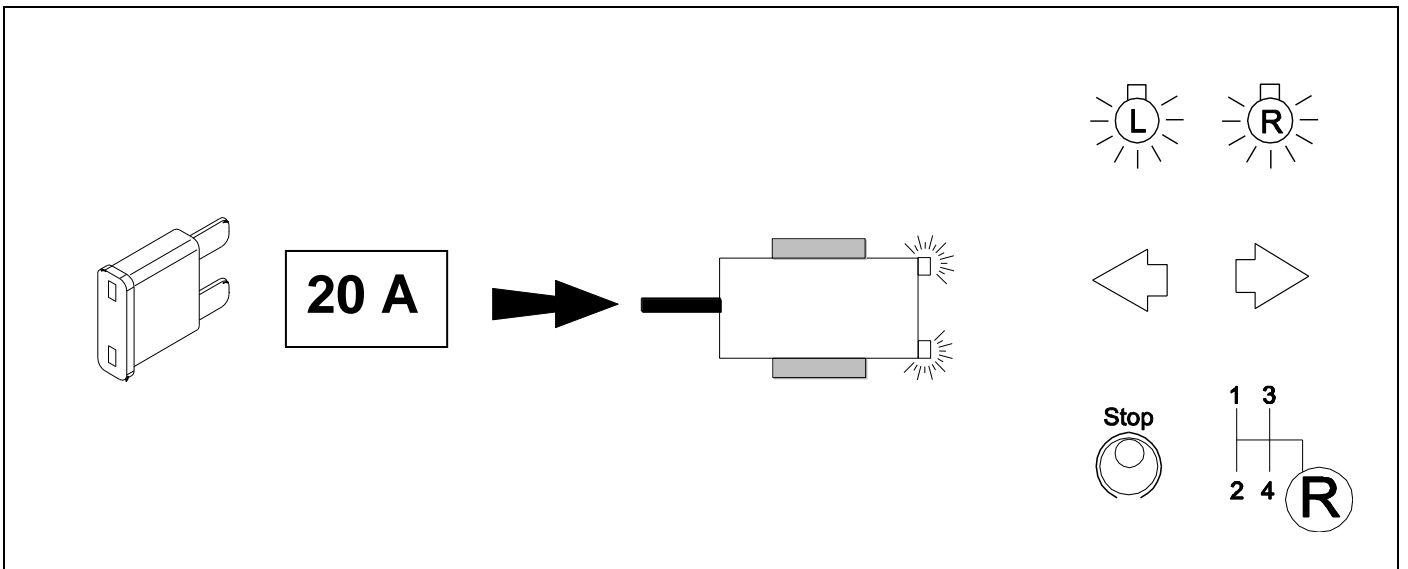
29

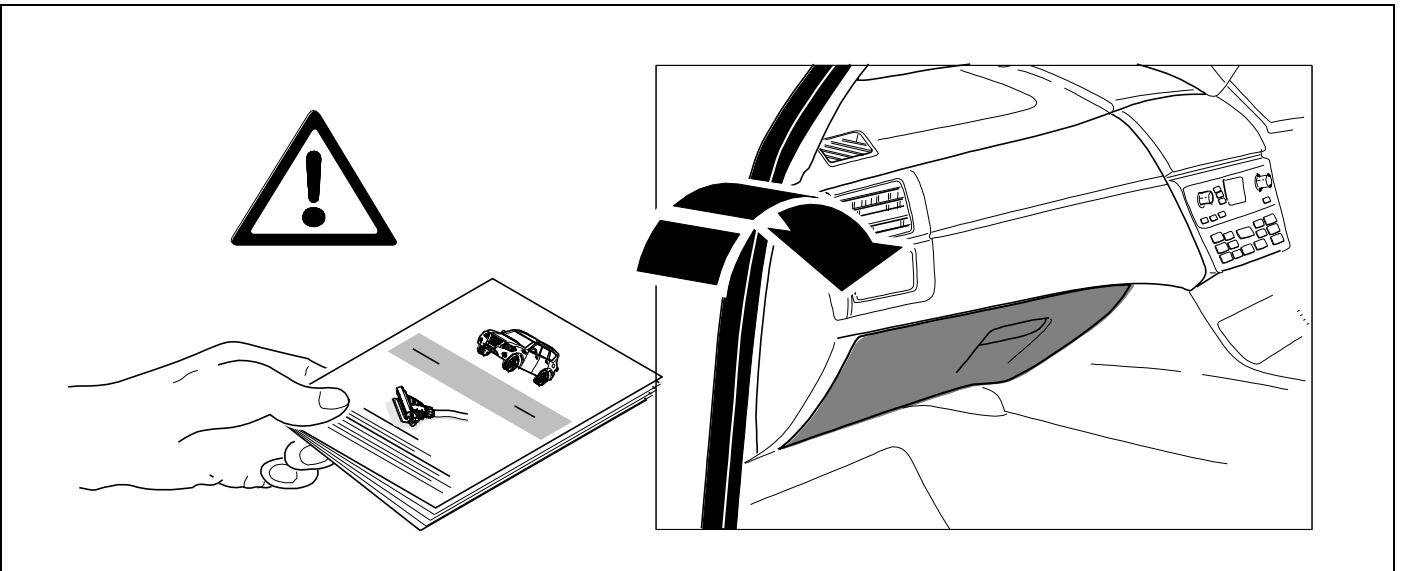
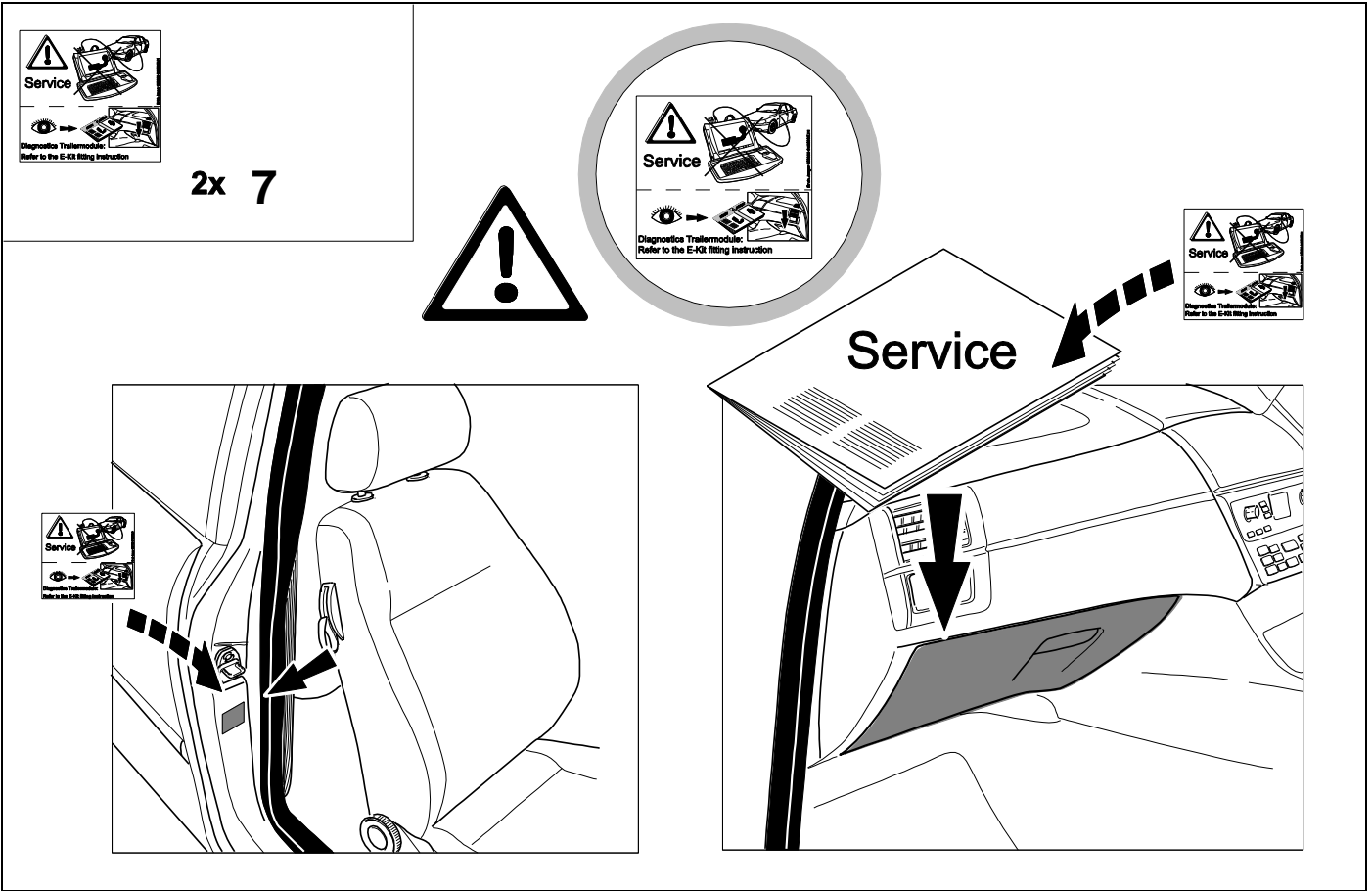
CHECK BULB OUT DETECTION



30

👁️ ⇒ 20





Subject to change in terms of construction, equipment and colour, and may contain errors.
The information and illustrations are non-binding.