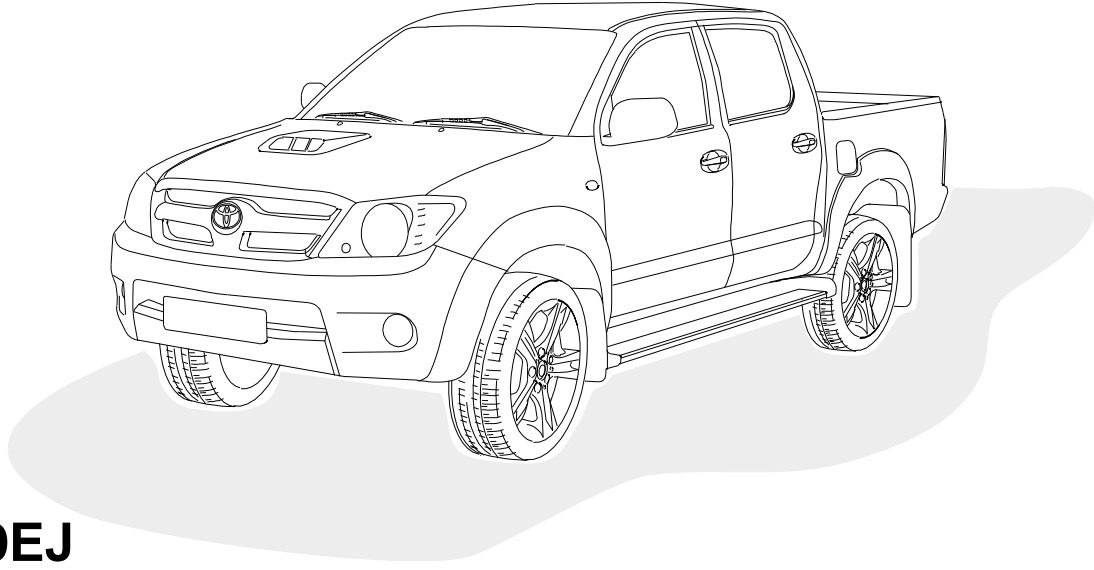




ERICH JAEGER

Installation instructions



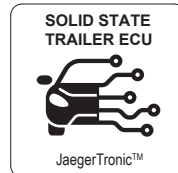
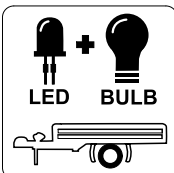
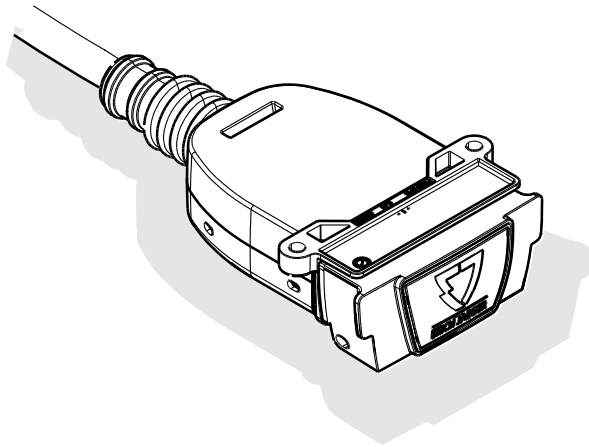
750049EJ

TOYOTA HILUX With module

10/05 >>



SCAN FOR
LATEST
INSTRUCTIONS



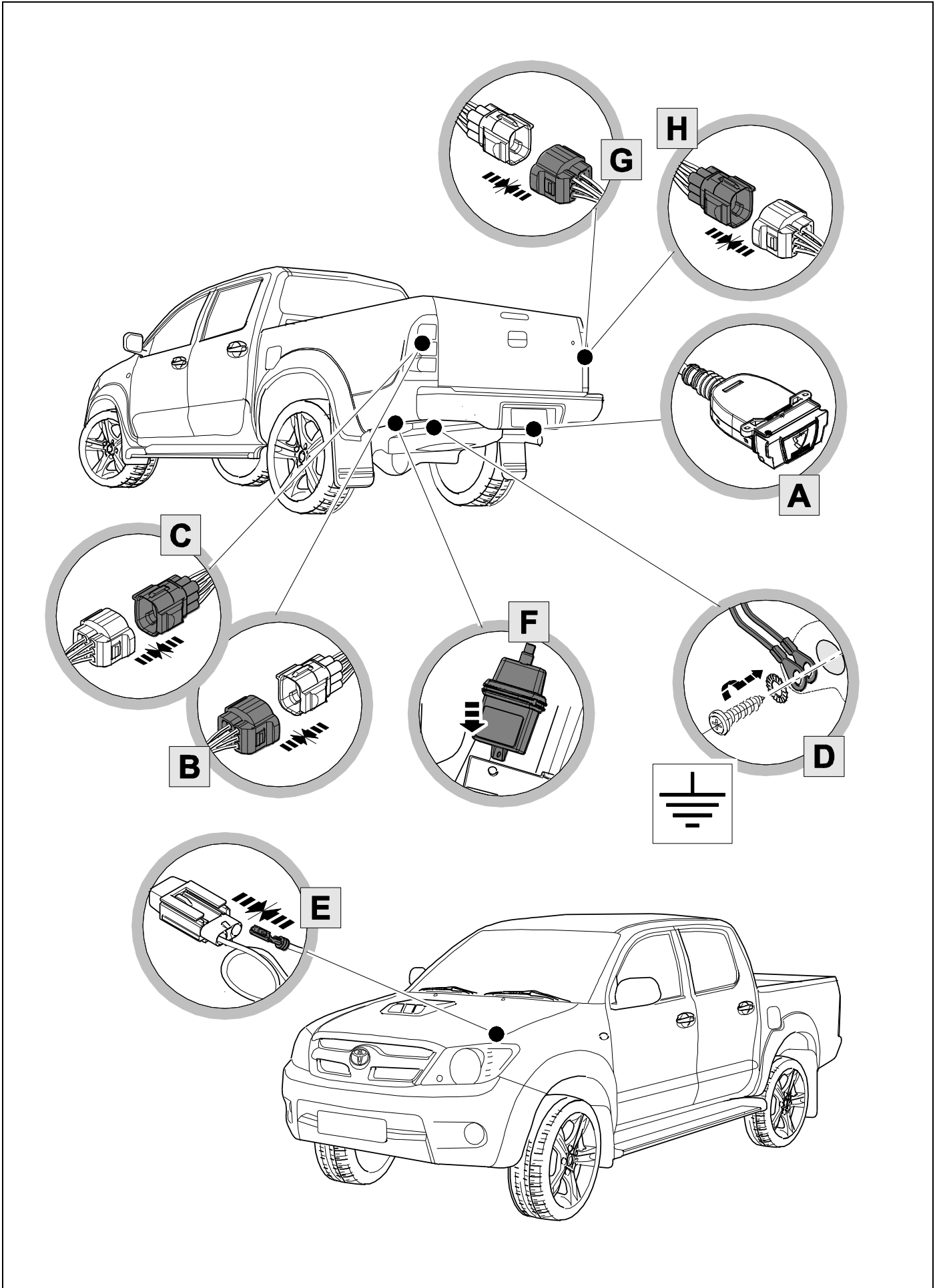
Reference:

The following information must be reviewed before beginning the assembly:

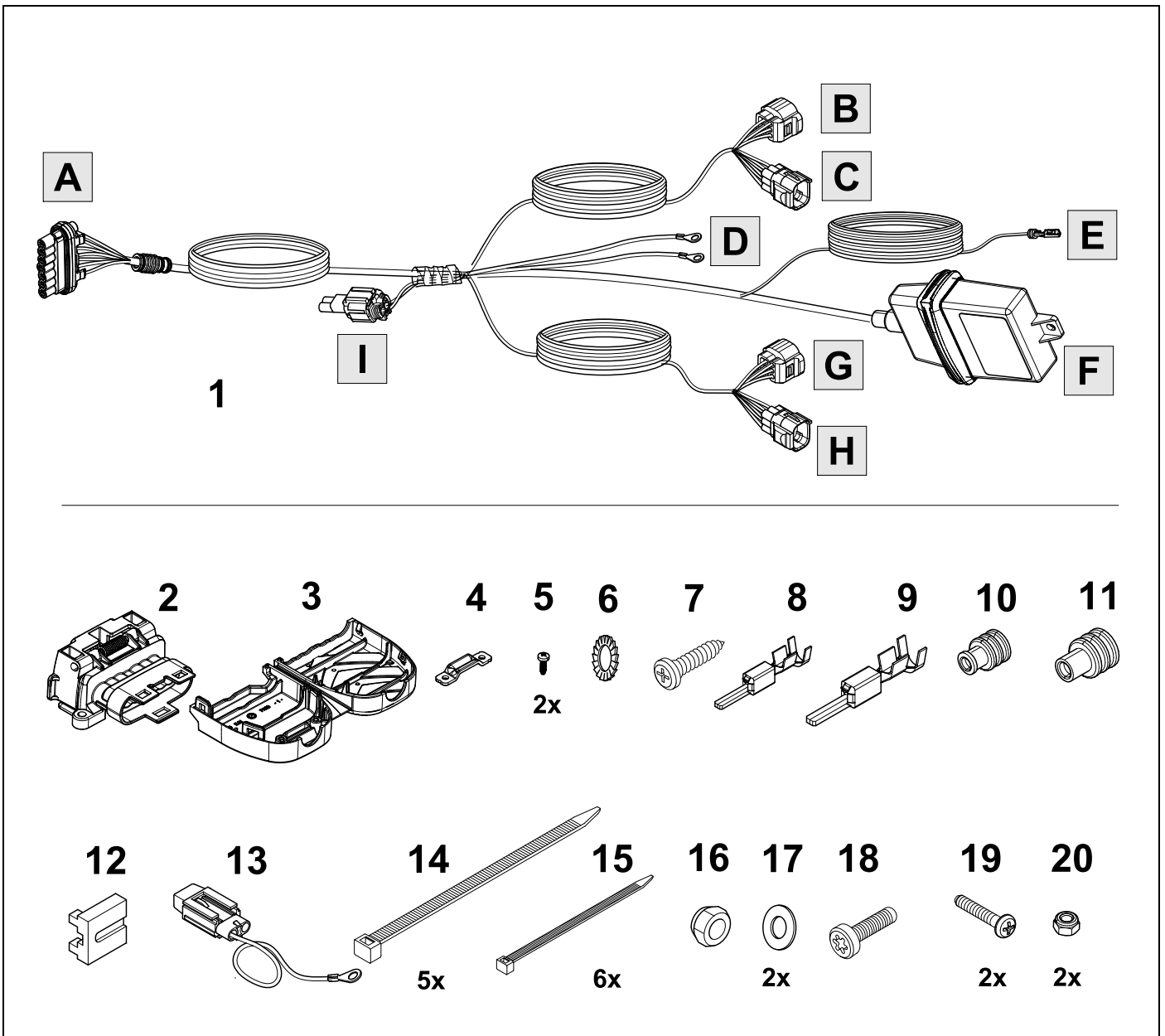
The installation instructions are to be thoroughly read.

The installation should be carried out by qualified personnel with the relevant technical knowledge. The vehicle manufacturers' current technical notices and information on retrofitting must be followed. The removal and replacement instructions found in the current repair manuals must be followed.

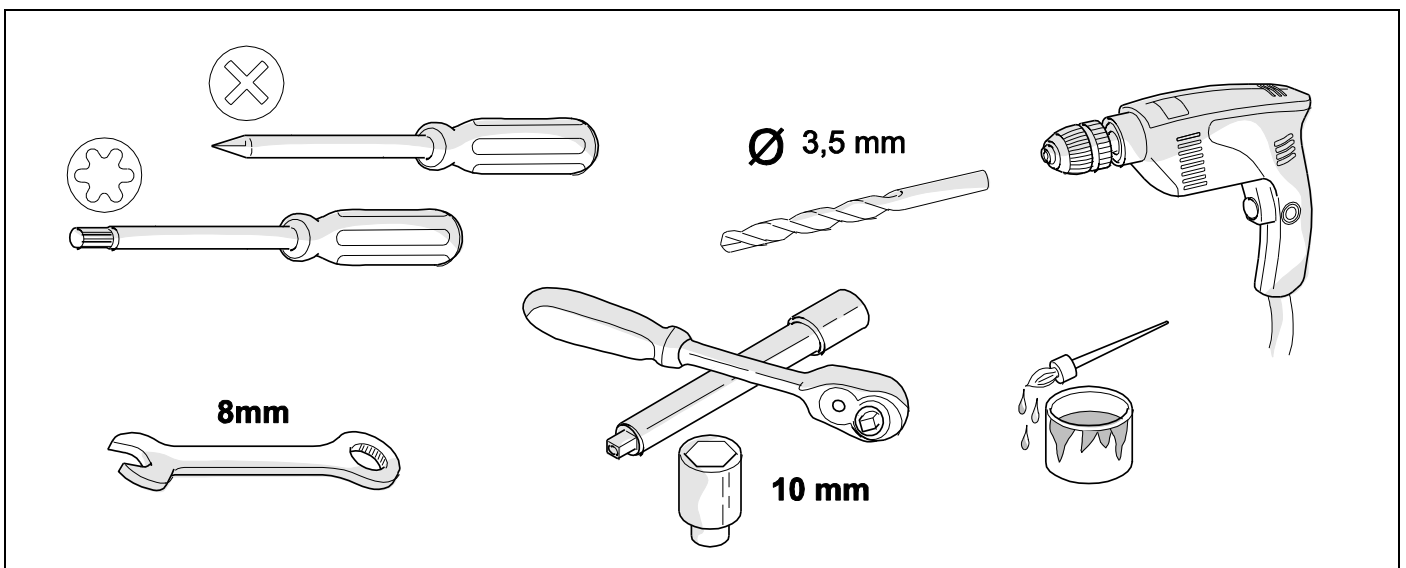
It must be ensured that the vehicle is technically suitable for the installation of a trailer hitch.



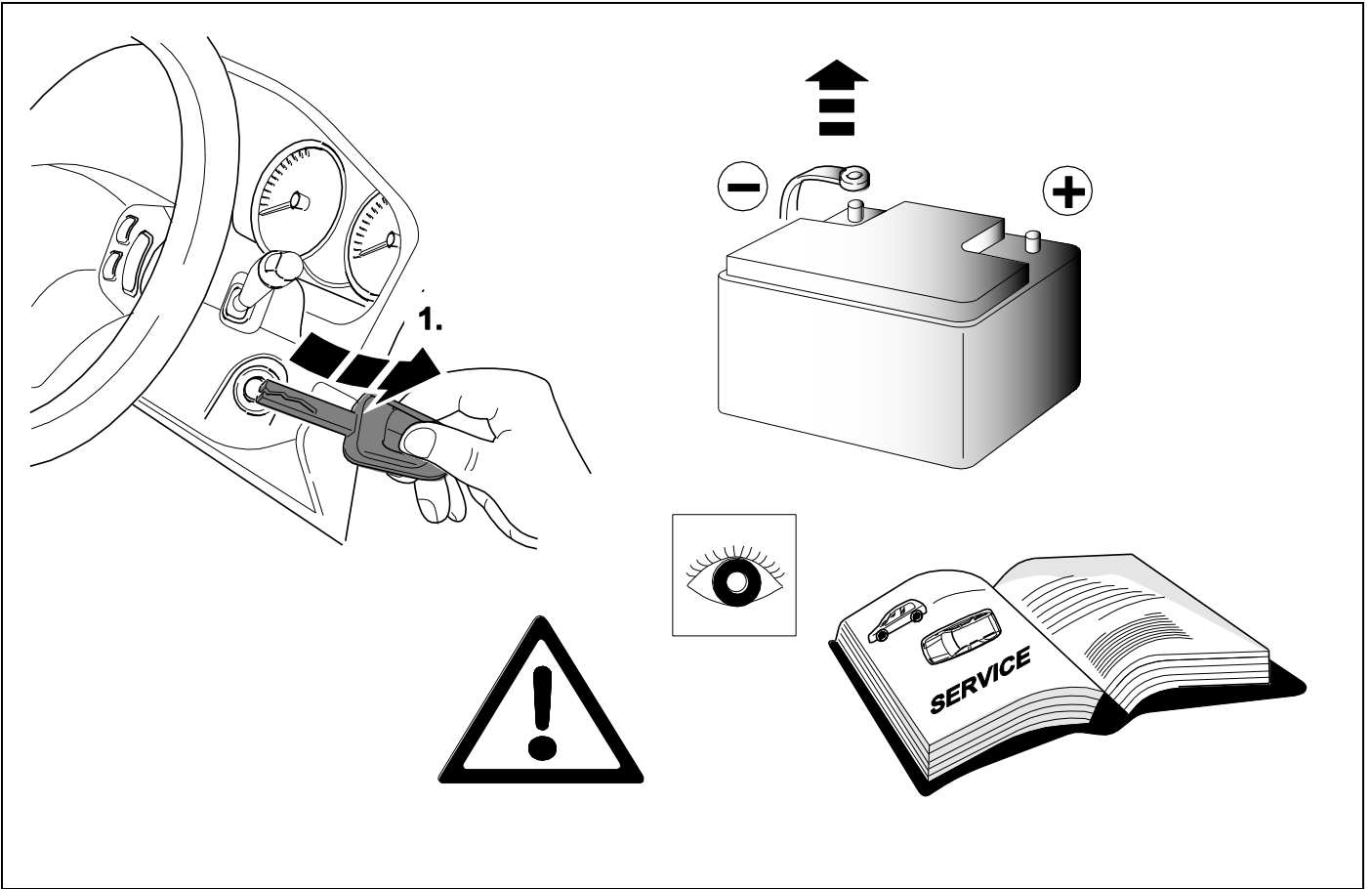
KIT



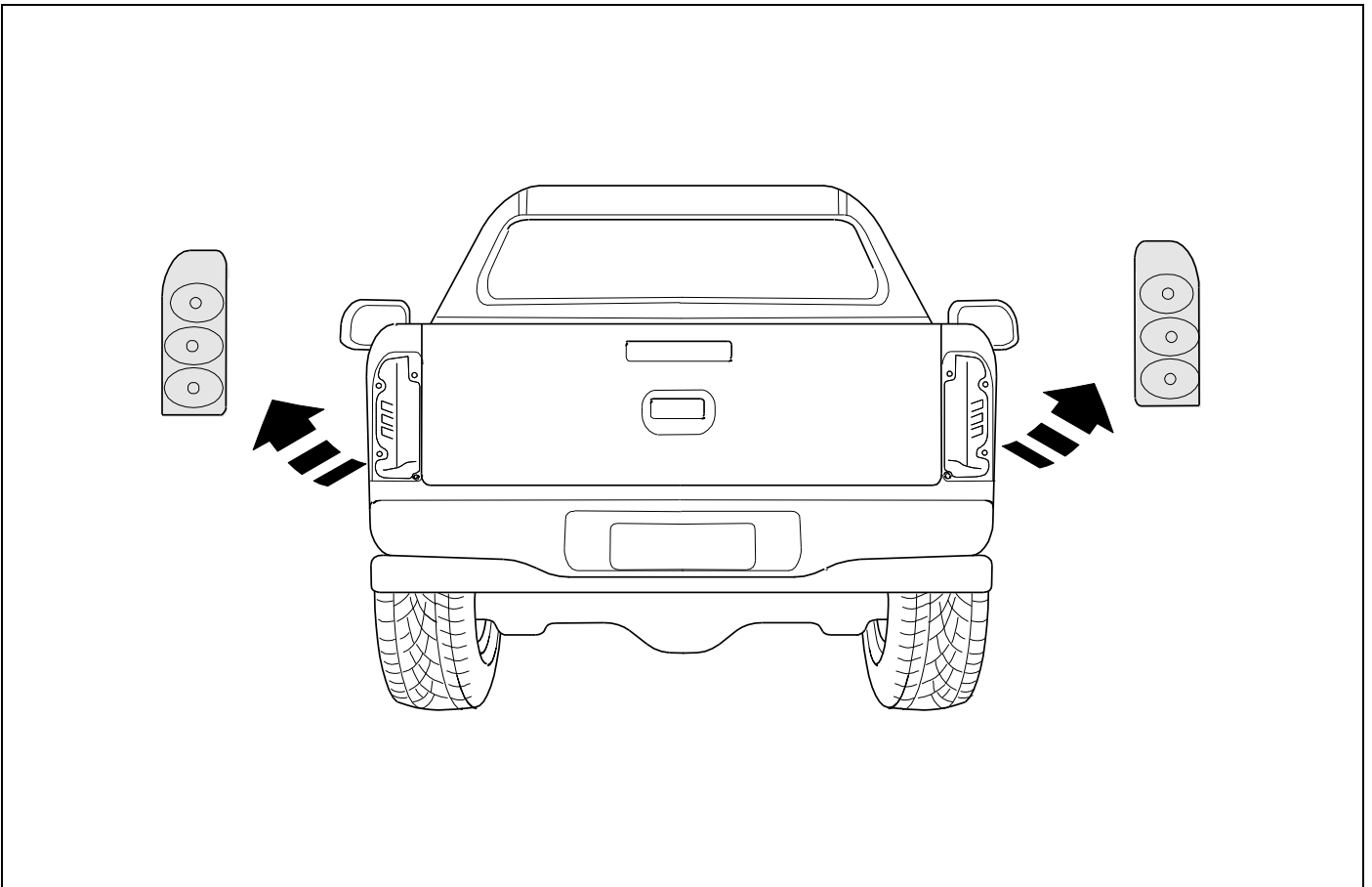
TOOLS



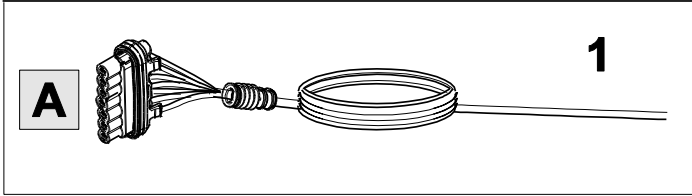
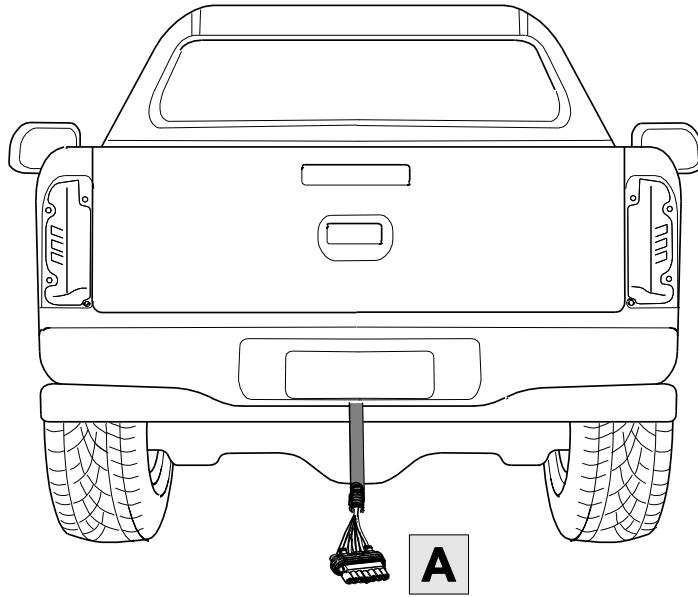
1



2 REMOVE



3



4



6

1. Insert the cable into the connector. **CLICK**

2. Push the housing back onto the cable. **CLICK**

3. Push the housing forward to lock it. **CLICK**

4. Tighten the screws on the housing. **CLICK**

5. Final assembly view.

A

1

2 **3**

4 **5**

CLICK

CLICK

YouTube
SCAN to WATCH

5

19. Mounting screw

20. Mounting nut

2x 2x

6

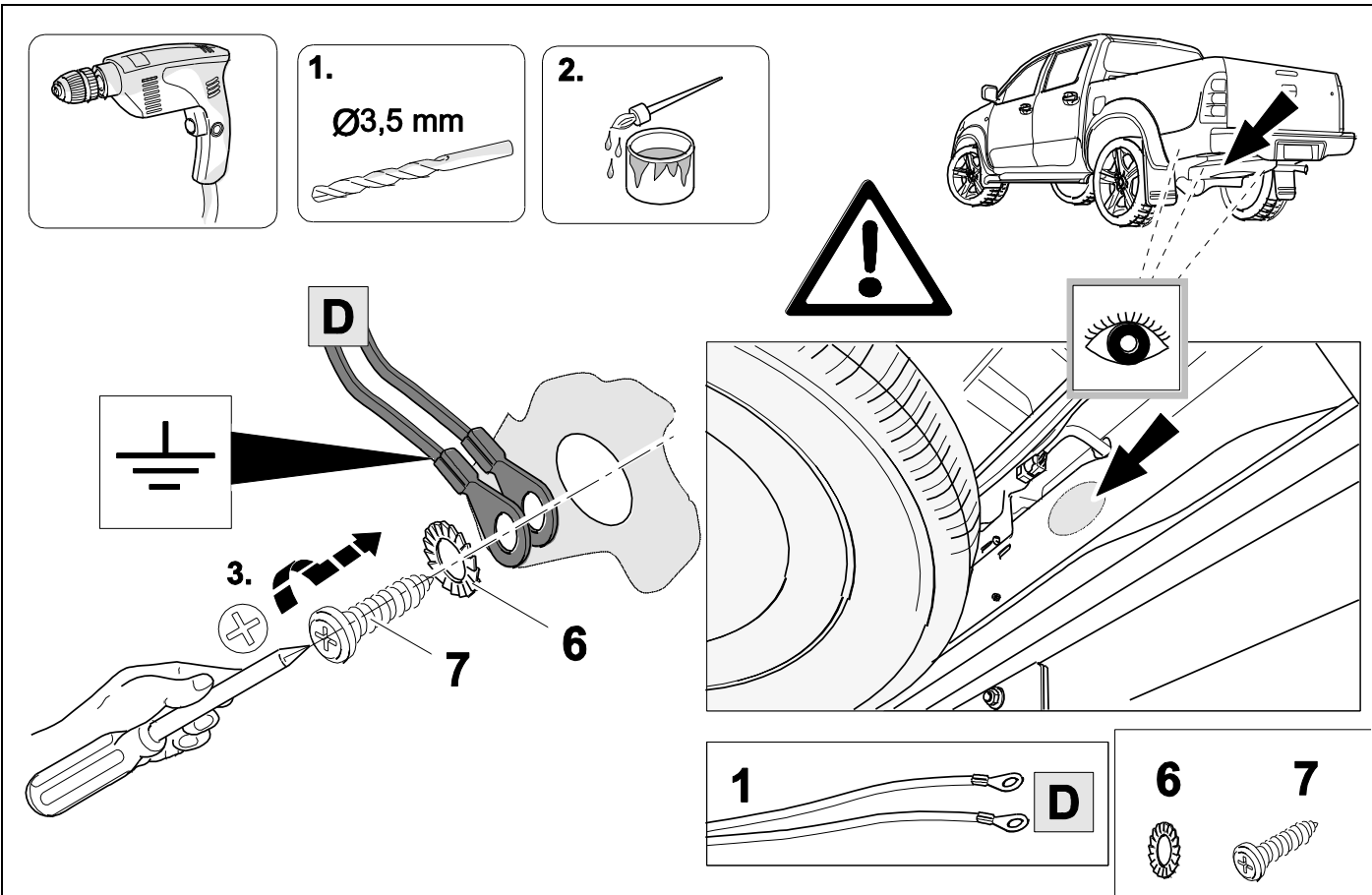
 ⇒ 7

1	ye	
2	bk	
3	wh	
4	gn	
5	bu	
6	rd	
7	bn	

7	bk	wh	gy	gn	rd	bu	ye	bn	pu	or	no
---	----	----	----	----	----	----	----	----	----	----	----

	black	white	grey	green	red	blue	yellow	brown	purple	orange	not occupied
---	-------	-------	------	-------	-----	------	--------	-------	--------	--------	--------------

8



1. $\varnothing 3,5 \text{ mm}$

2.

3.

D

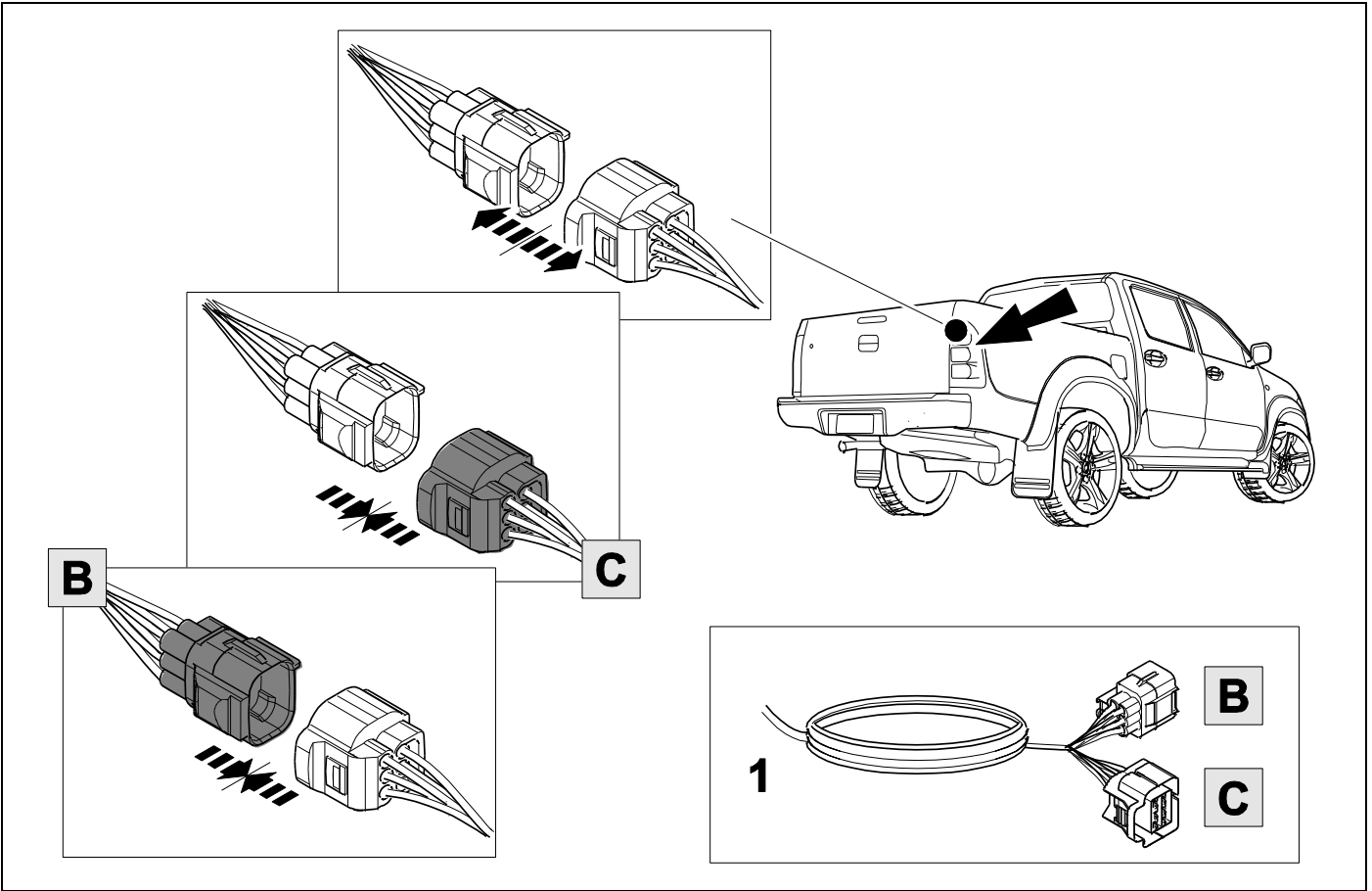
1

6

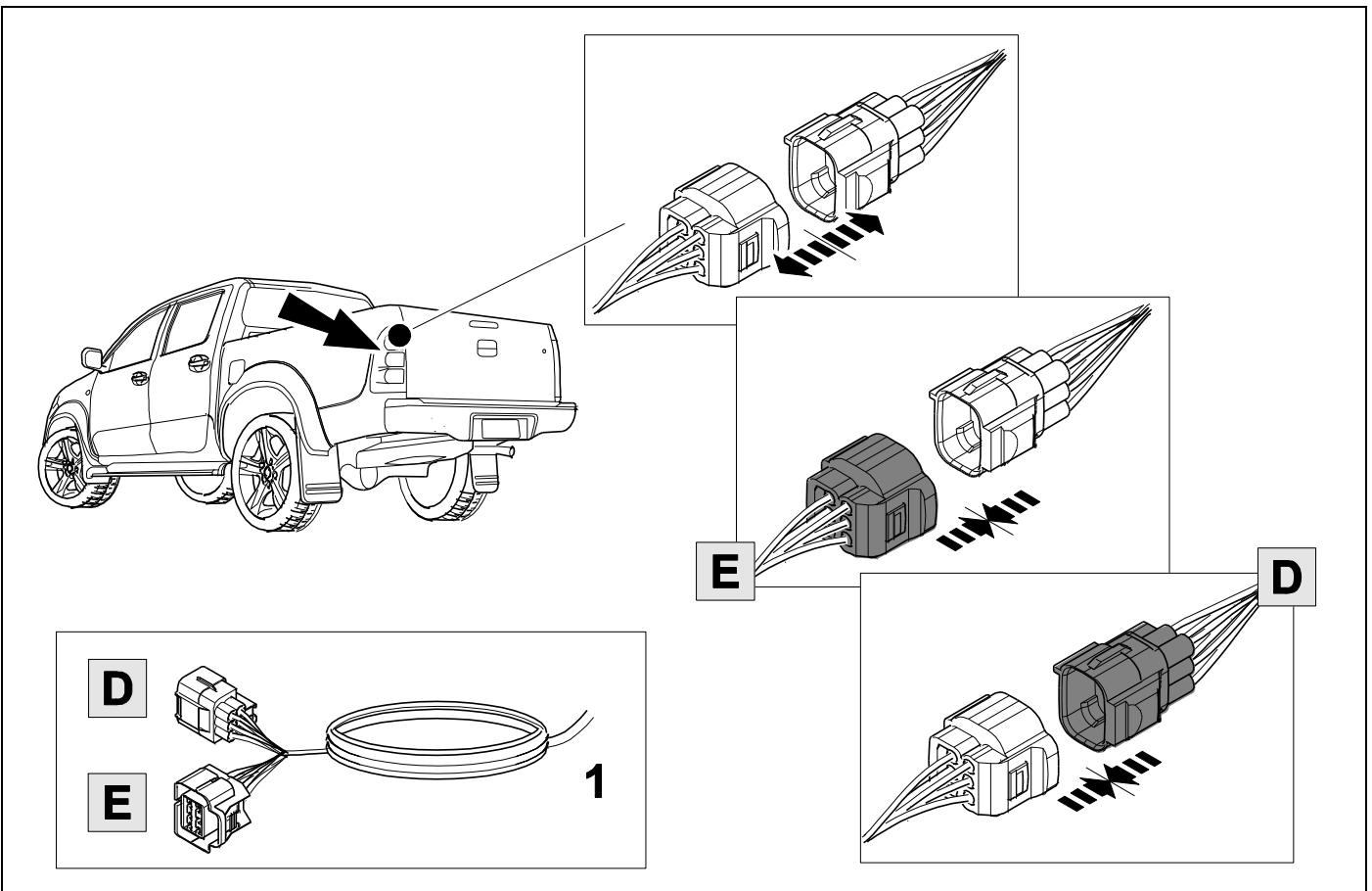
7

D

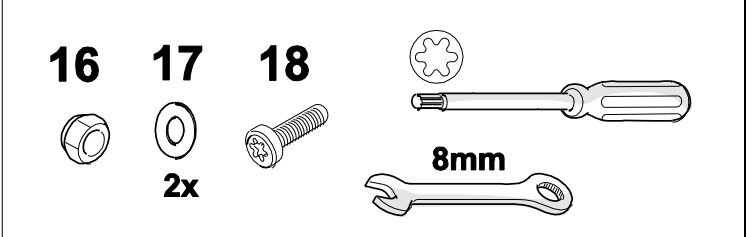
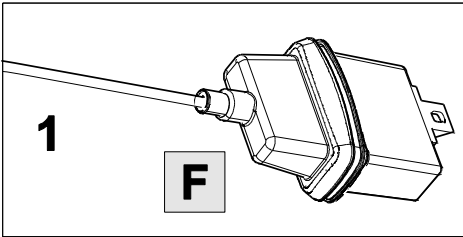
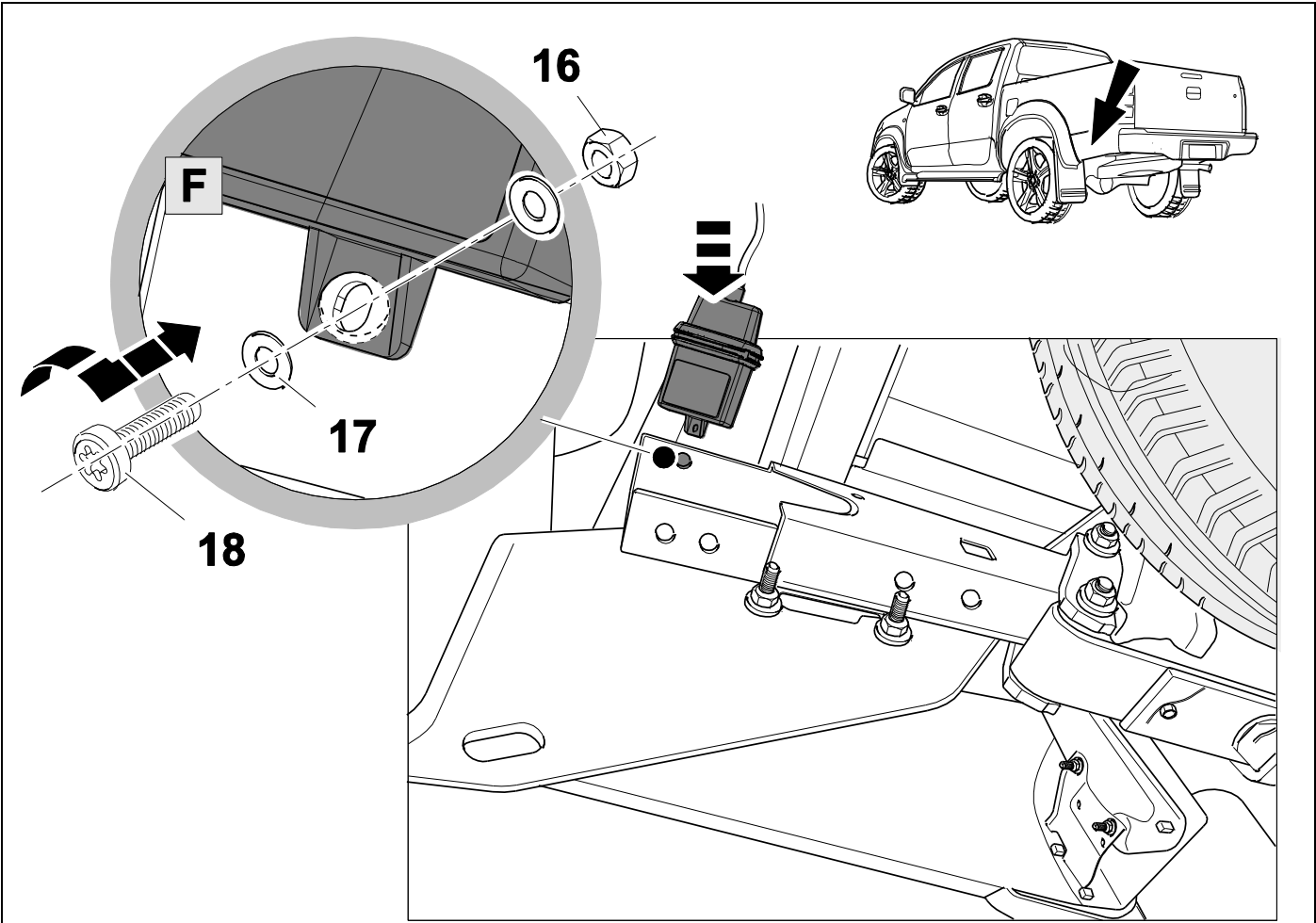
9



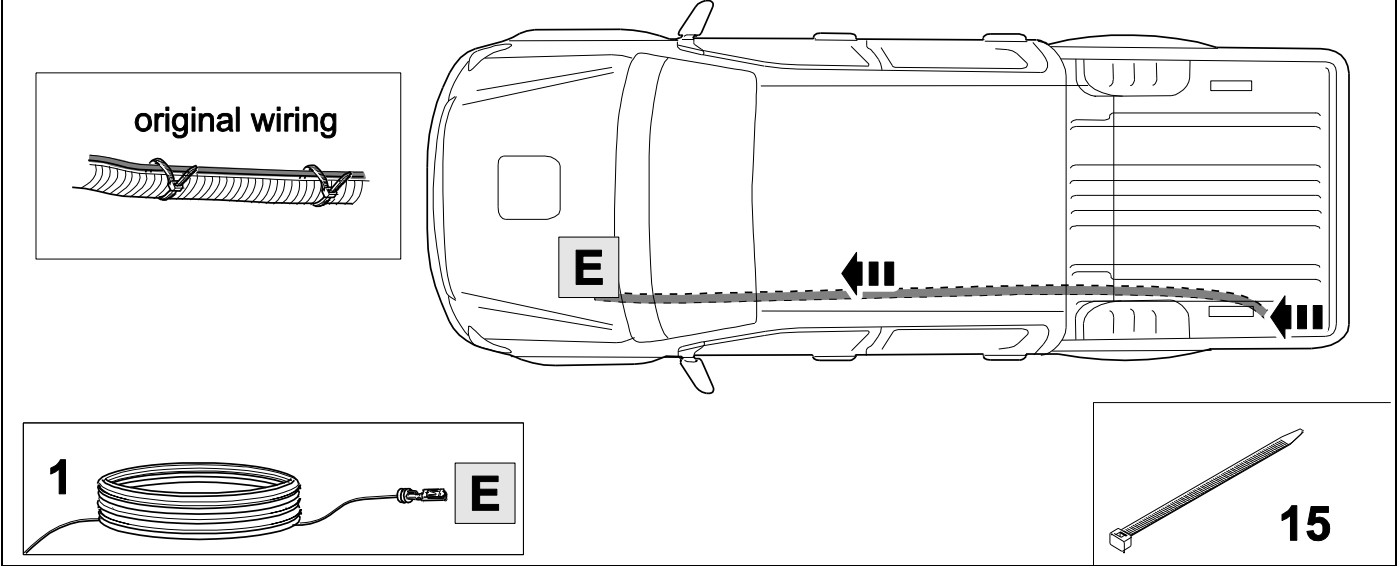
10



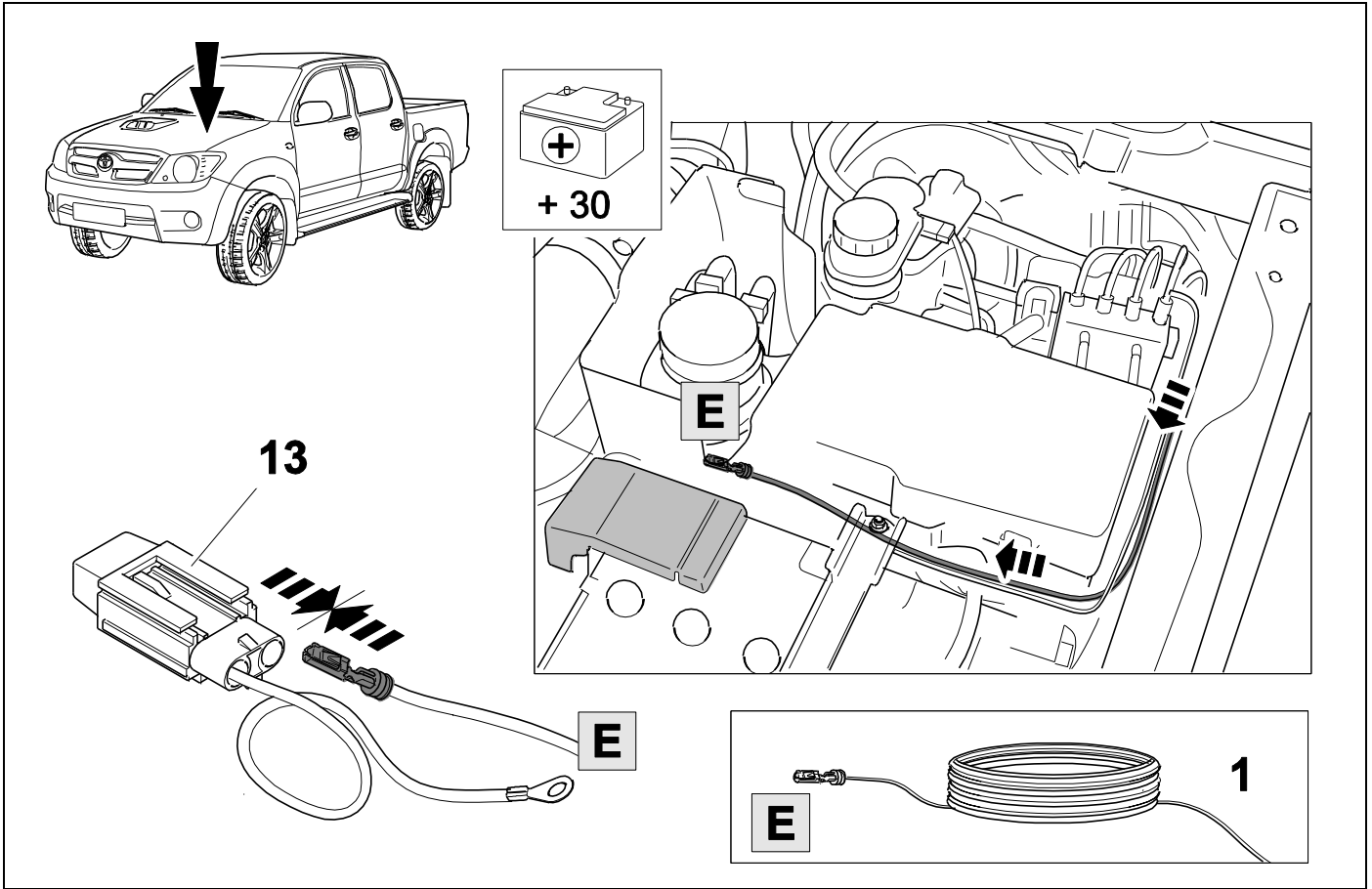
11



12



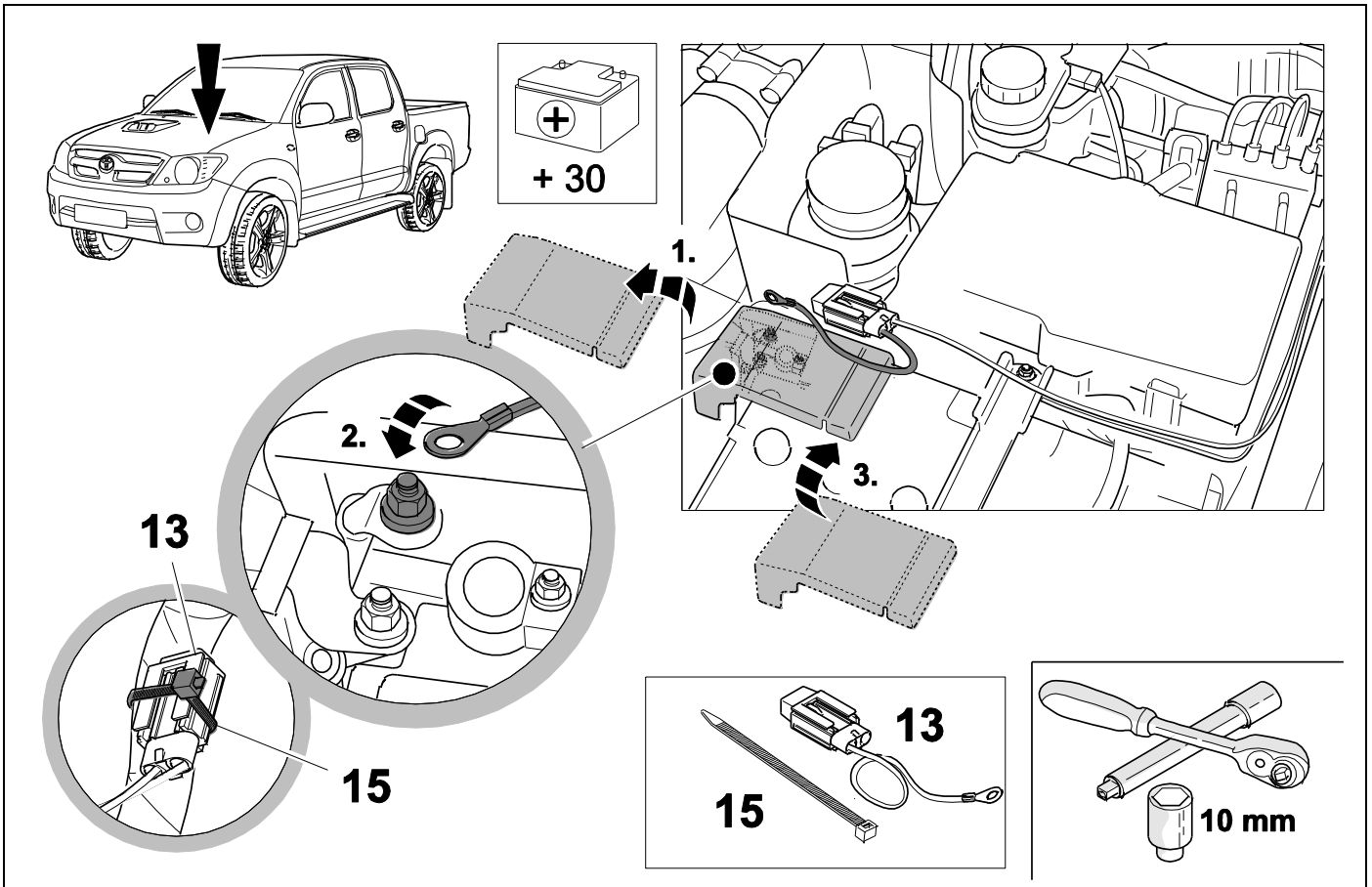
13



14

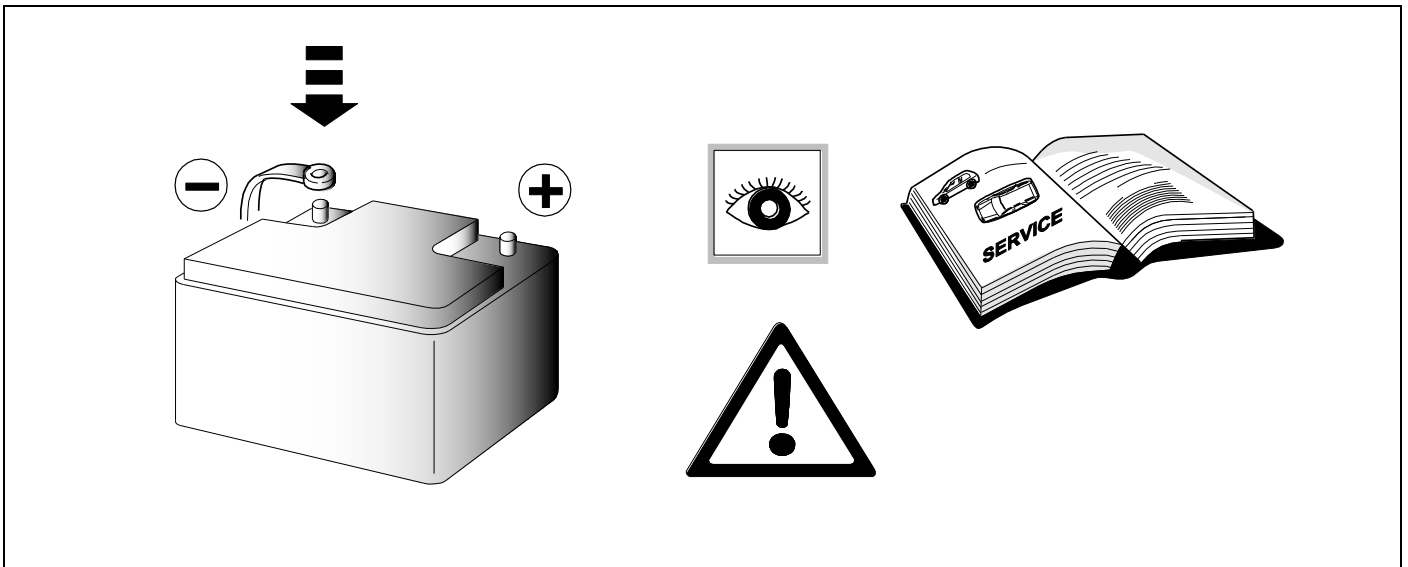
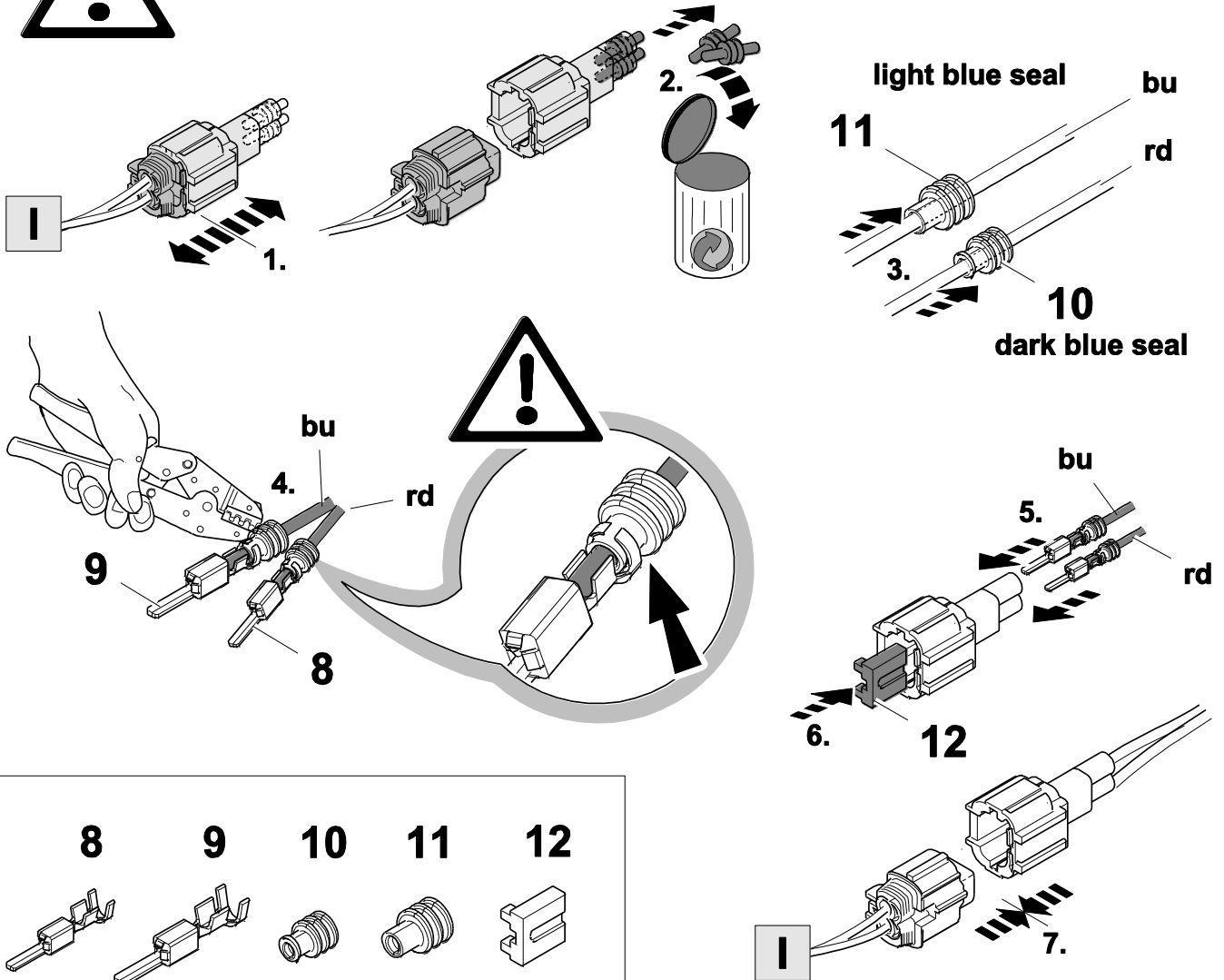


19



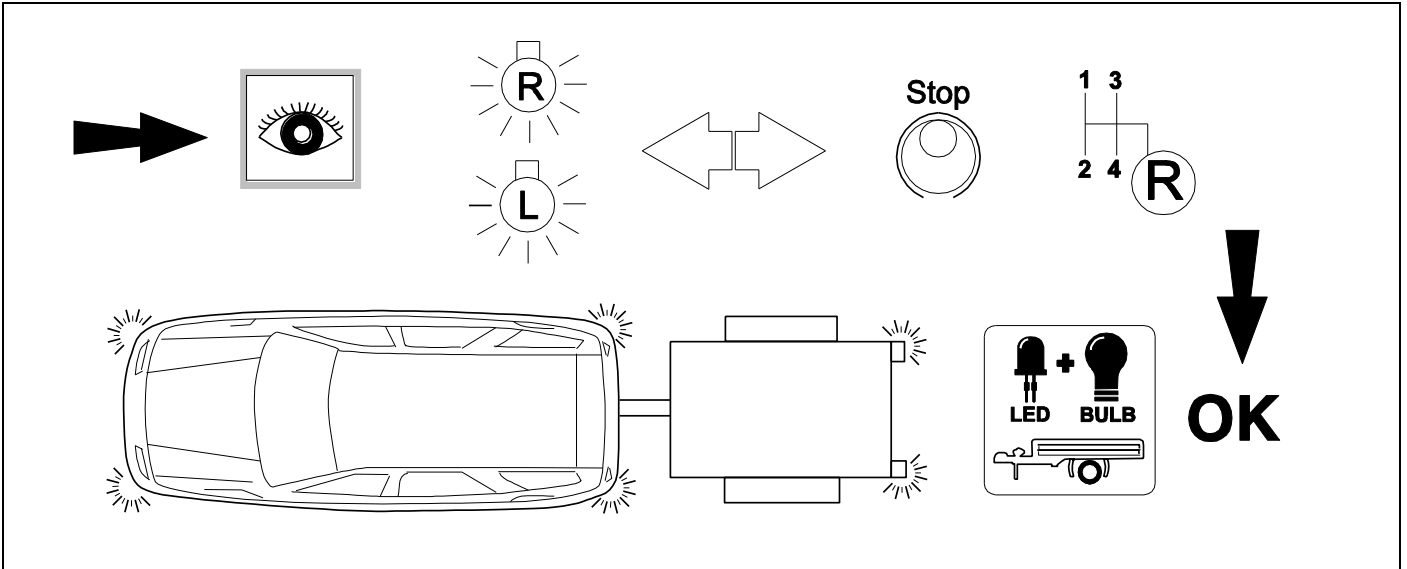


Trailer Brake Preparation



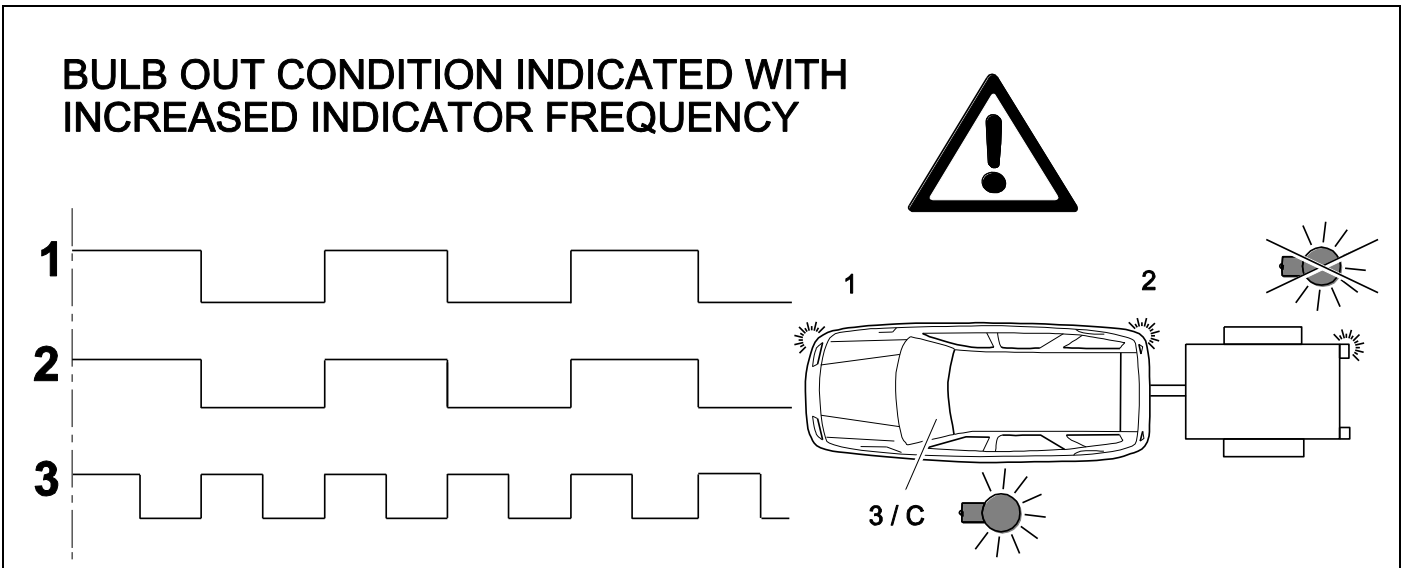
17

CHECK ALL LIGHTING FUNCTIONS



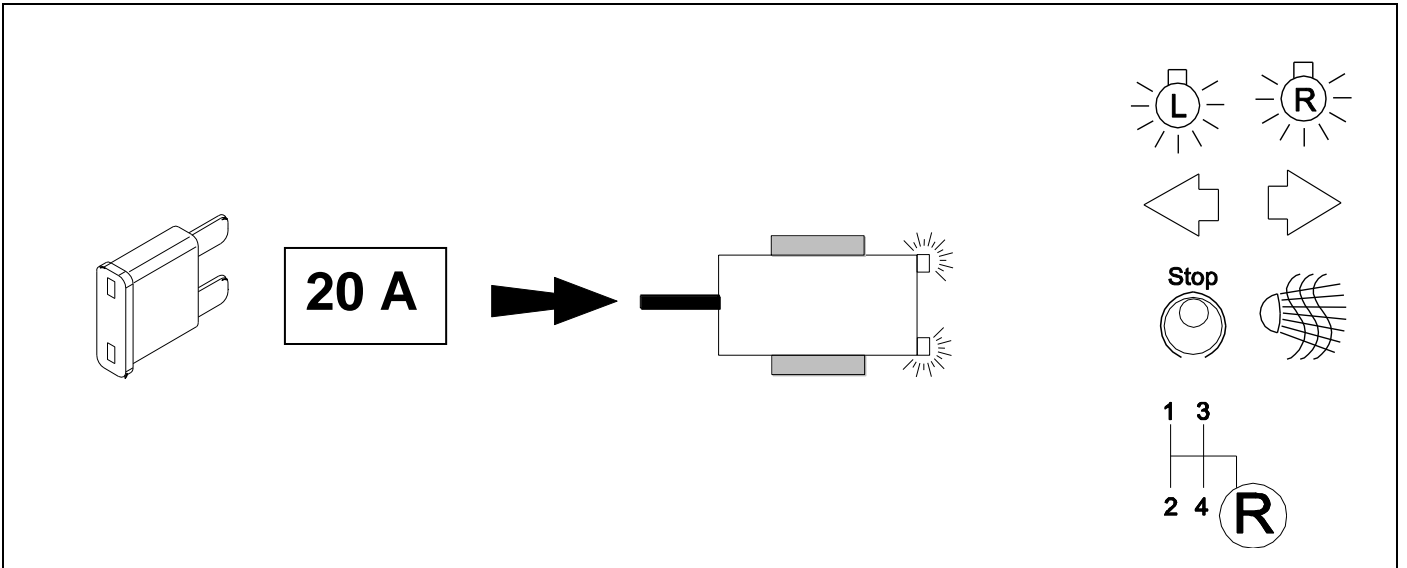
18

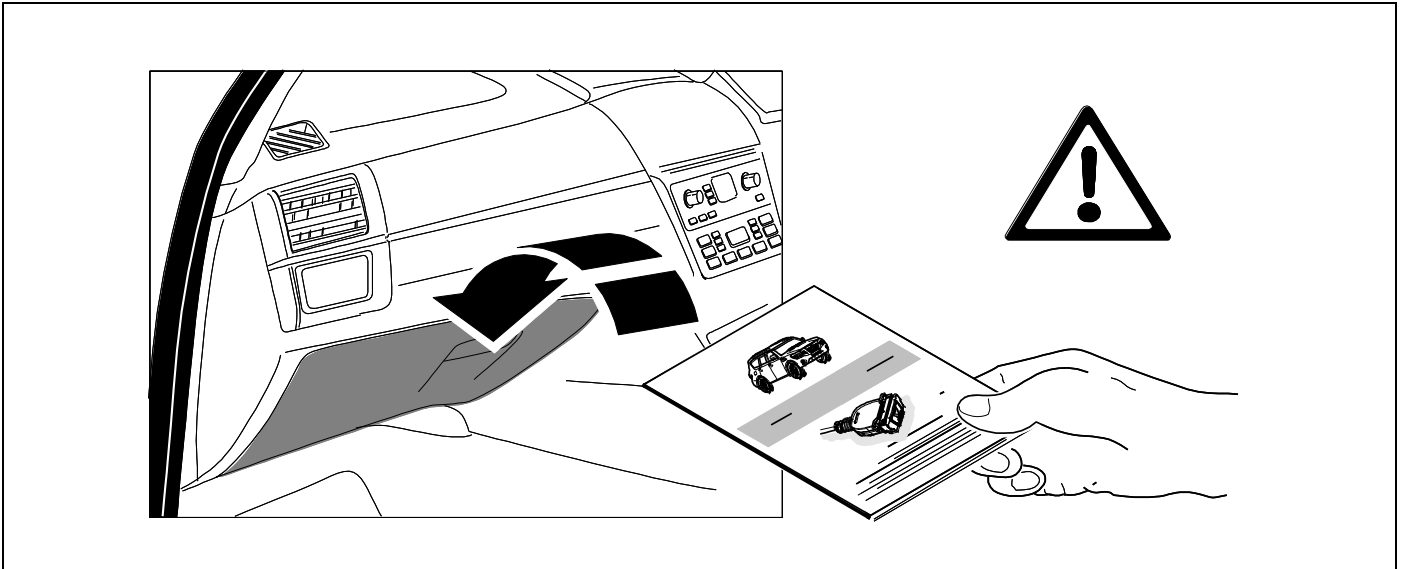
CHECK BULB OUT DETECTION



19

Eye icon ⇒ 14





Subject to change in terms of construction, equipment and colour, and may contain errors.
The information and illustrations are non-binding.

Scan this for our full E-Kit catalogue

