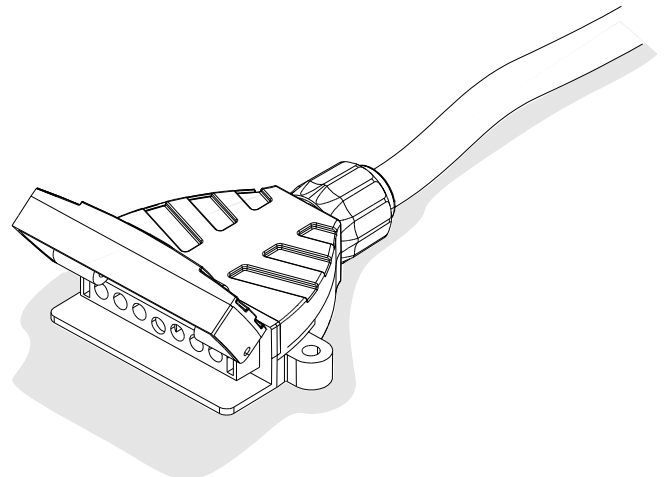


**MERCEDES BENZ V-CLASS W447**  
**MERCEDES BENZ VITO W447**

**06/14 >>**  
**11/14 >>**

**750051**



## Installation instructions

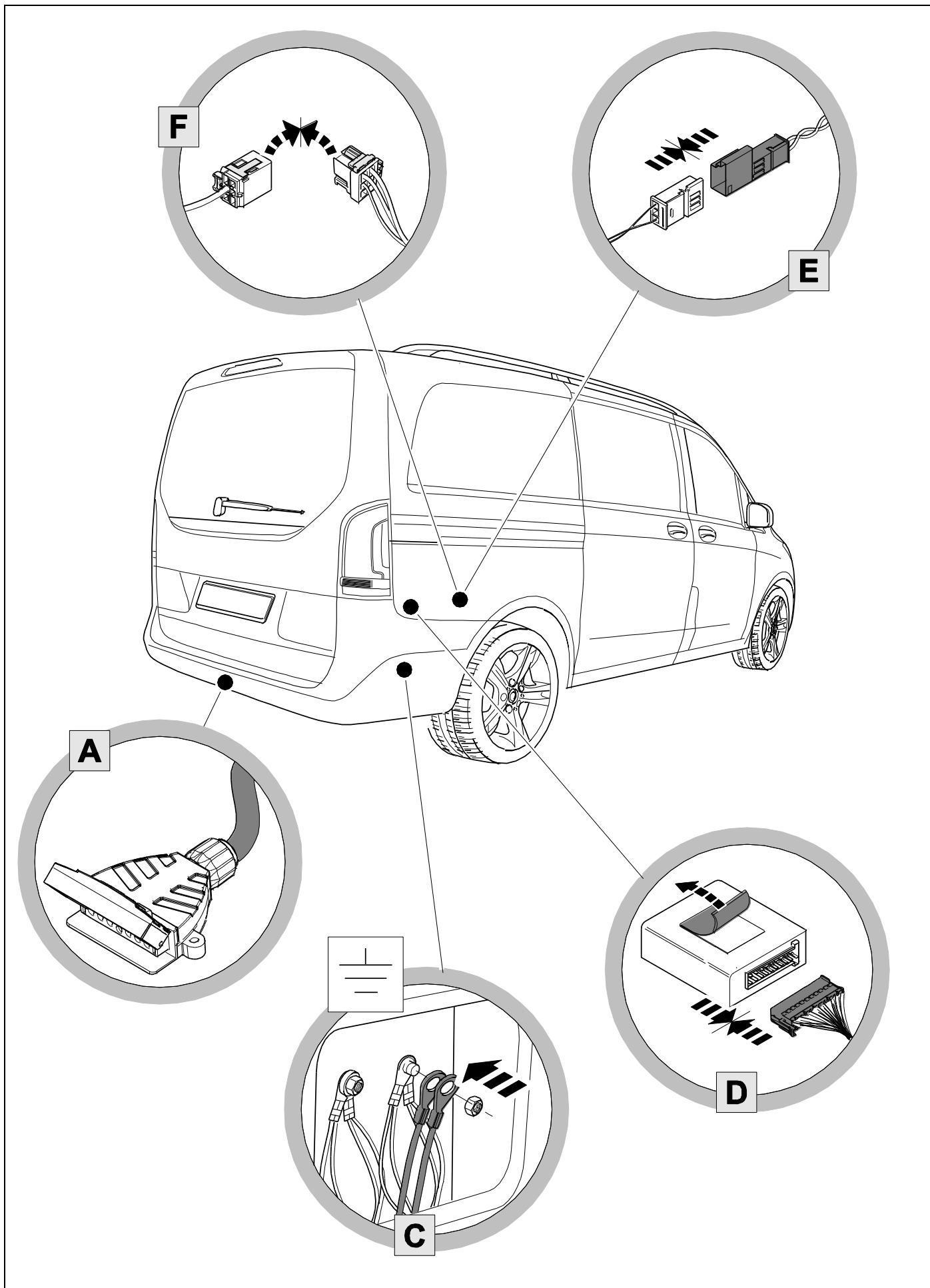
### Reference:

The following information must be reviewed before beginning the assembly:

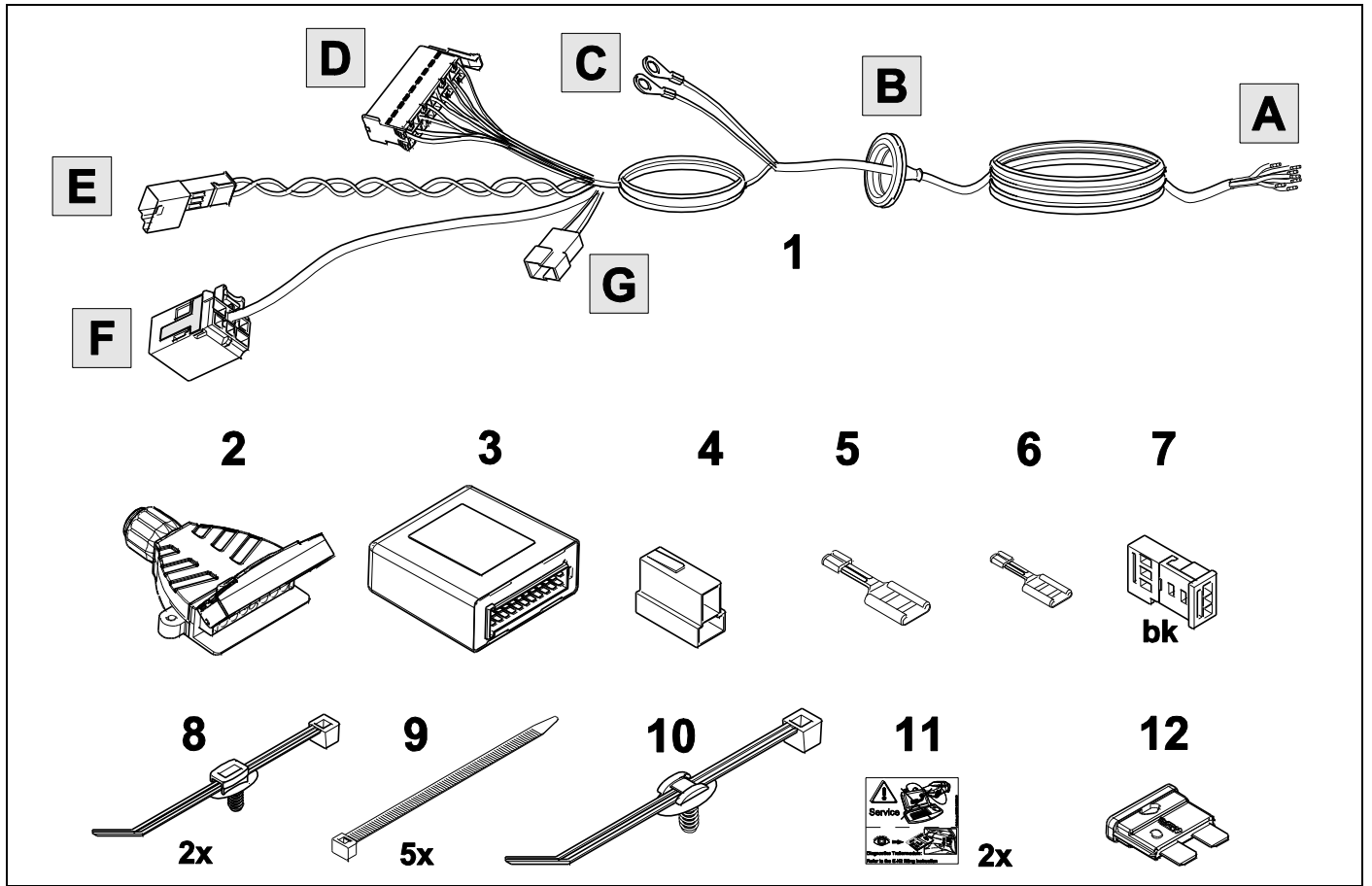
The installation instructions are to be thoroughly read.

The installation should be carried out by qualified personnel with the relevant technical knowledge. The vehicle manufacturers' current technical notices and information on retrofitting must be followed. The removal and replacement instructions found in the current repair manuals must be followed.

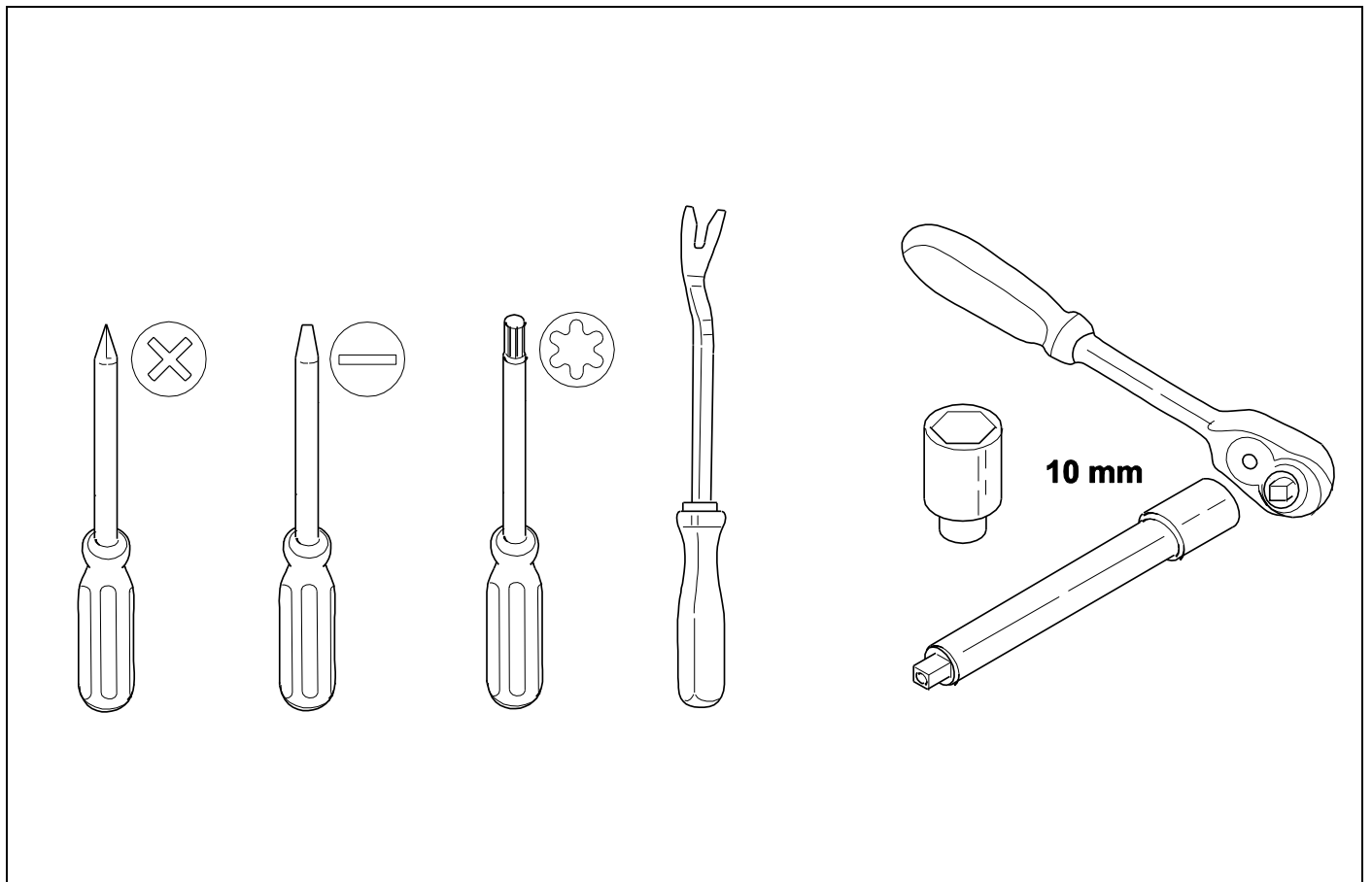
It must be ensured that the vehicle is technically suitable for the installation of a trailer hitch.



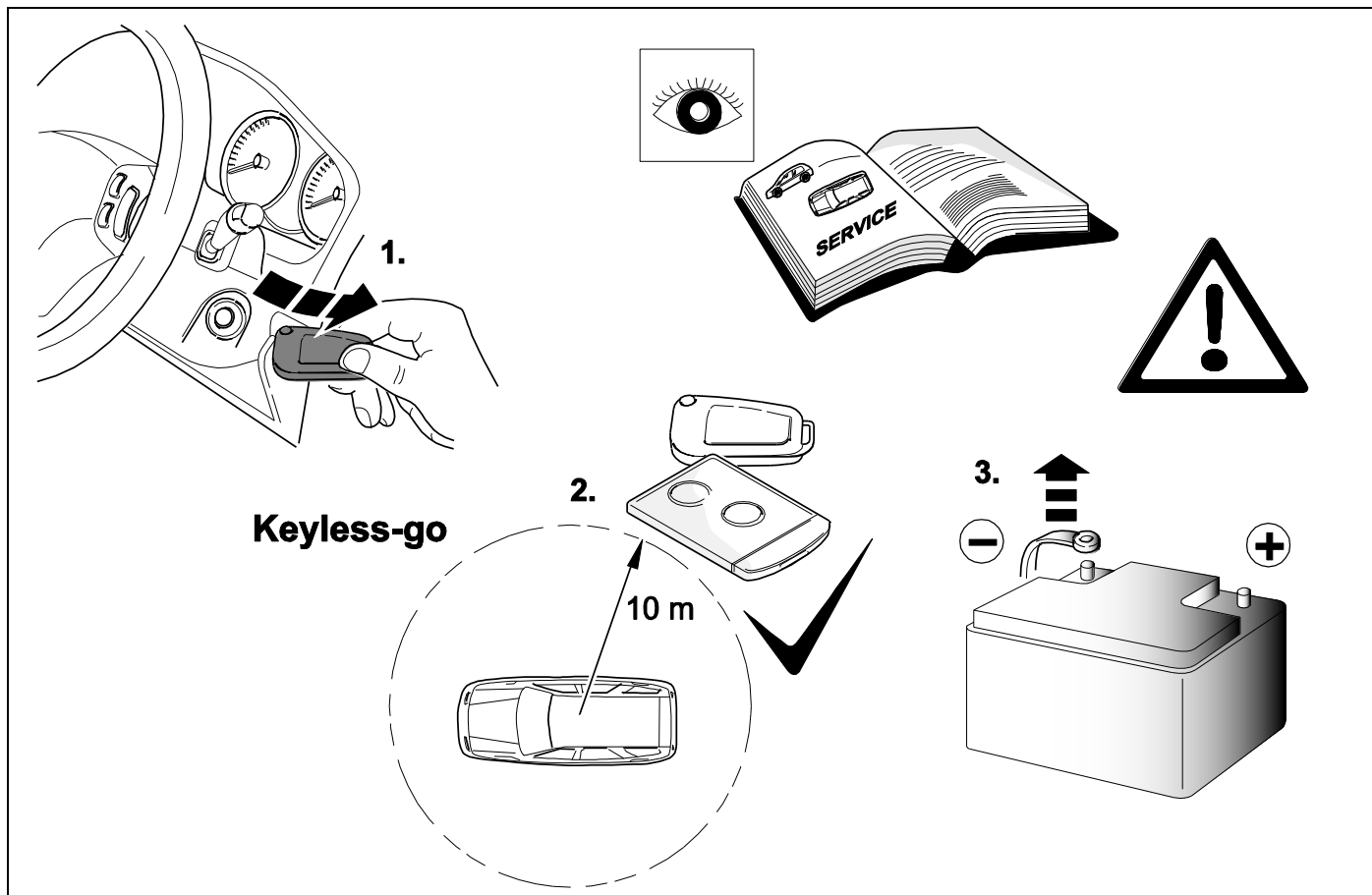
# KIT



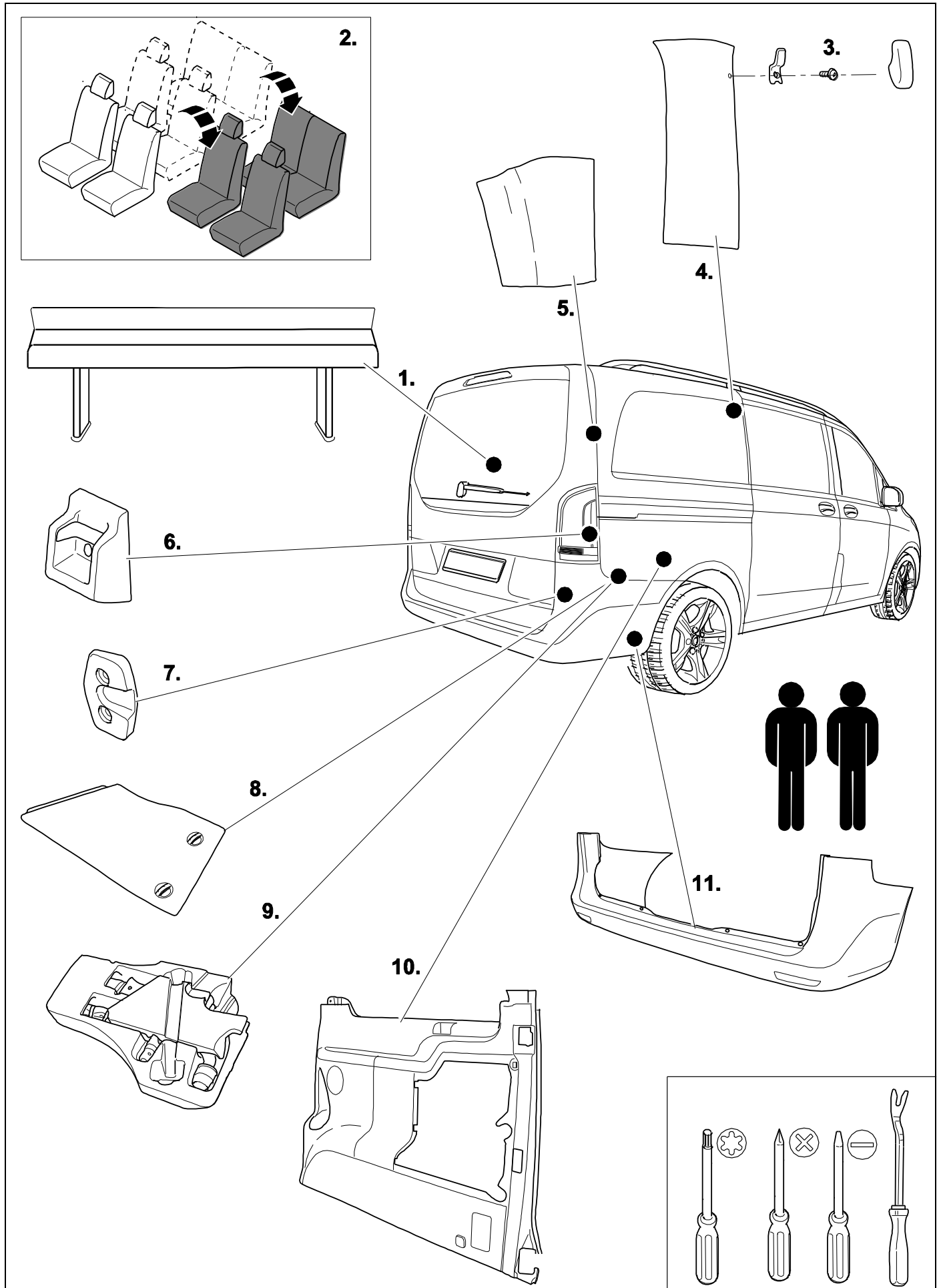
# TOOLS



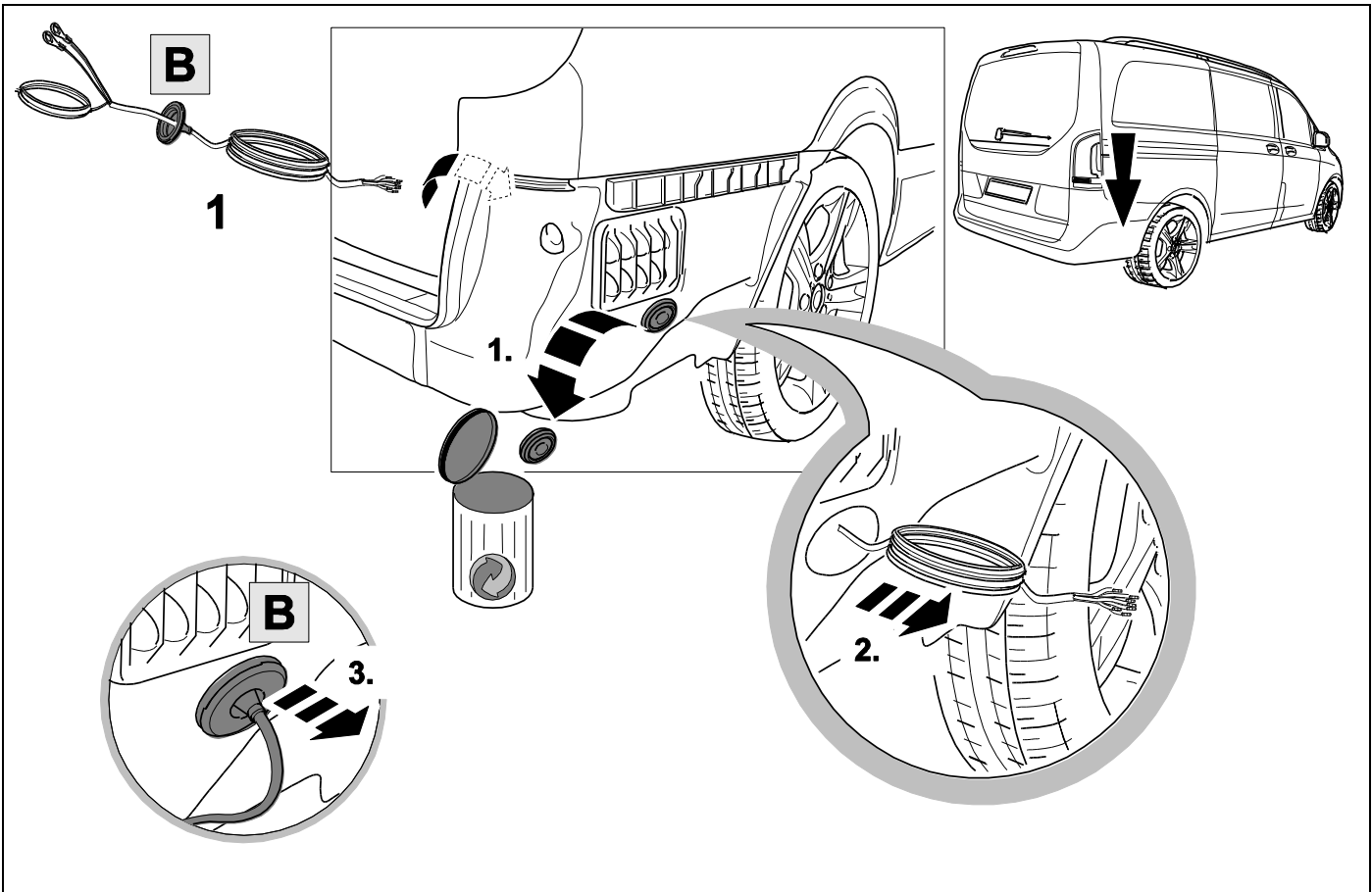
1



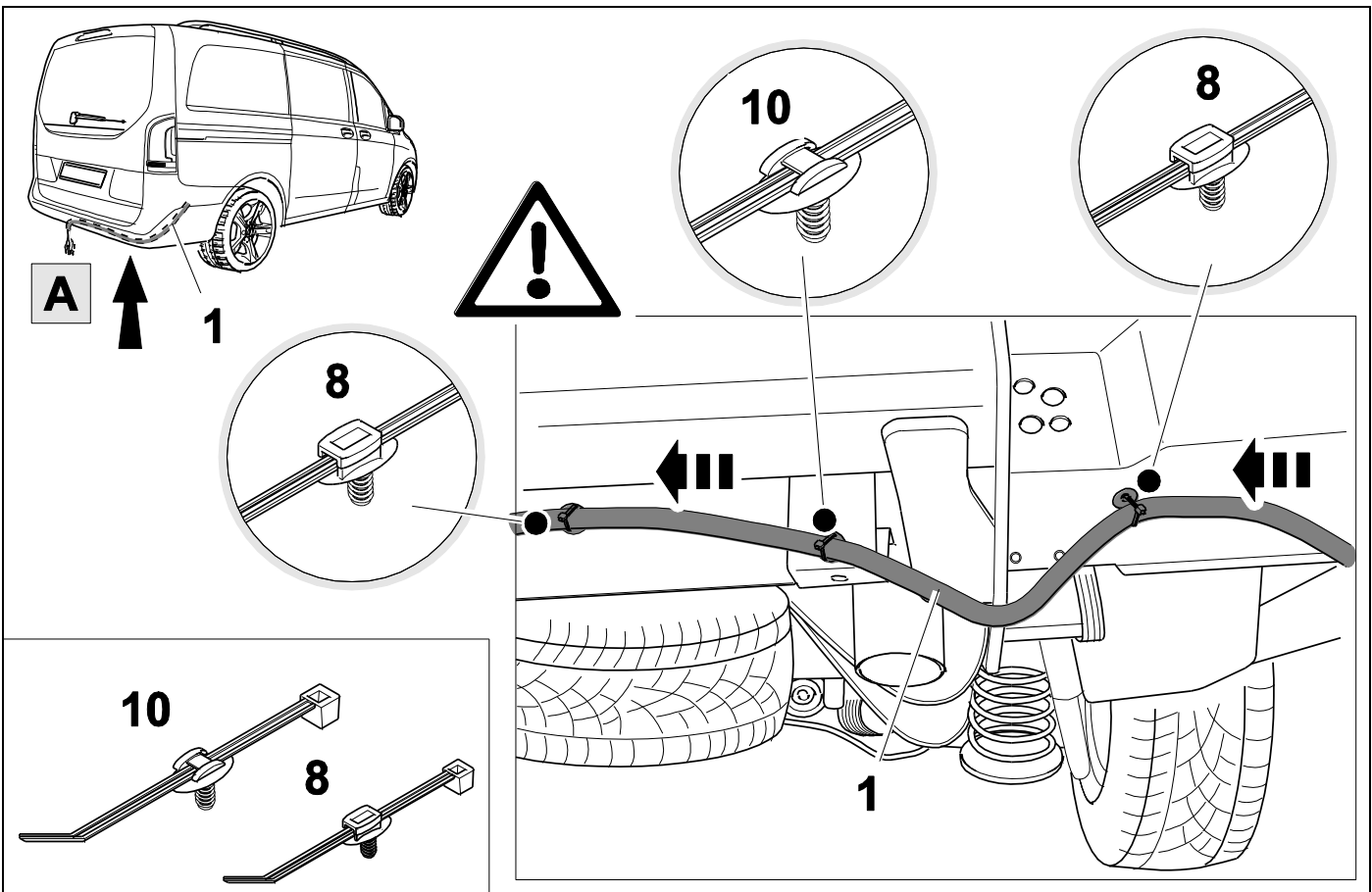
## 2 REMOVE



3



4



5



1 **A**

2.

3.

|    |          |  |  |
|----|----------|--|--|
| gn | <b>4</b> |  |  |
| bn | <b>7</b> |  |  |
| bk | <b>2</b> |  |  |
| wh | <b>3</b> |  |  |
| bu | <b>5</b> |  |  |
| rd | <b>6</b> |  |  |
| ye | <b>1</b> |  |  |

6

2

7



8

|   |    |  |
|---|----|--|
| 1 | ye |  |
| 2 | bk |  |
| 3 | wh |  |
| 4 | gn |  |
| 5 | bu |  |
| 6 | rd |  |
| 7 | bn |  |

|   |    |    |    |    |    |    |    |    |    |    |    |
|---|----|----|----|----|----|----|----|----|----|----|----|
| 8 | bk | wh | gy | gn | rd | bu | ye | bn | pu | or | no |
|---|----|----|----|----|----|----|----|----|----|----|----|

|  |       |       |      |       |     |      |        |       |        |        |              |
|--|-------|-------|------|-------|-----|------|--------|-------|--------|--------|--------------|
|  | black | white | grey | green | red | blue | yellow | brown | purple | orange | not occupied |
|--|-------|-------|------|-------|-----|------|--------|-------|--------|--------|--------------|

9

1

10 mm

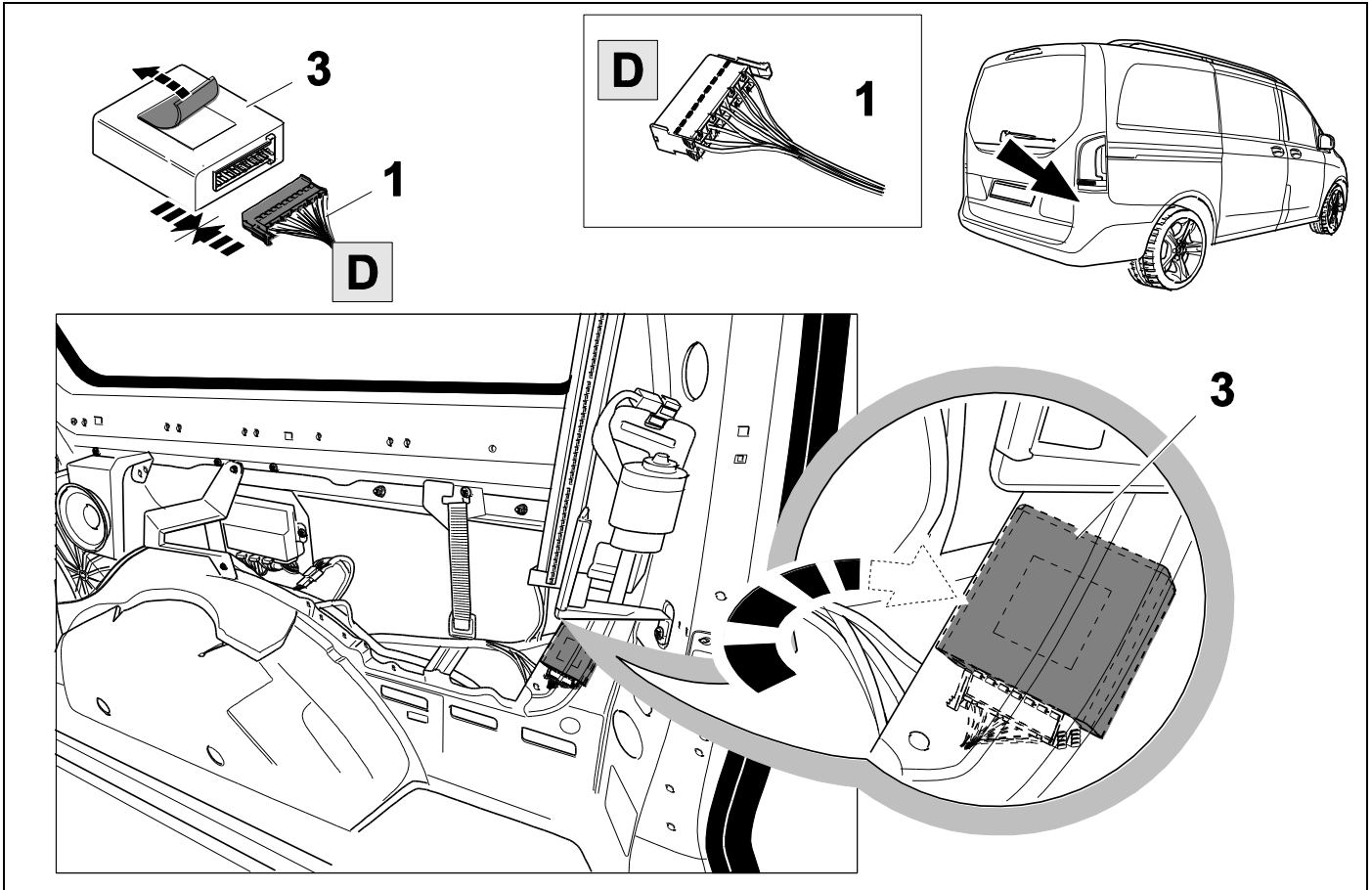
C

1

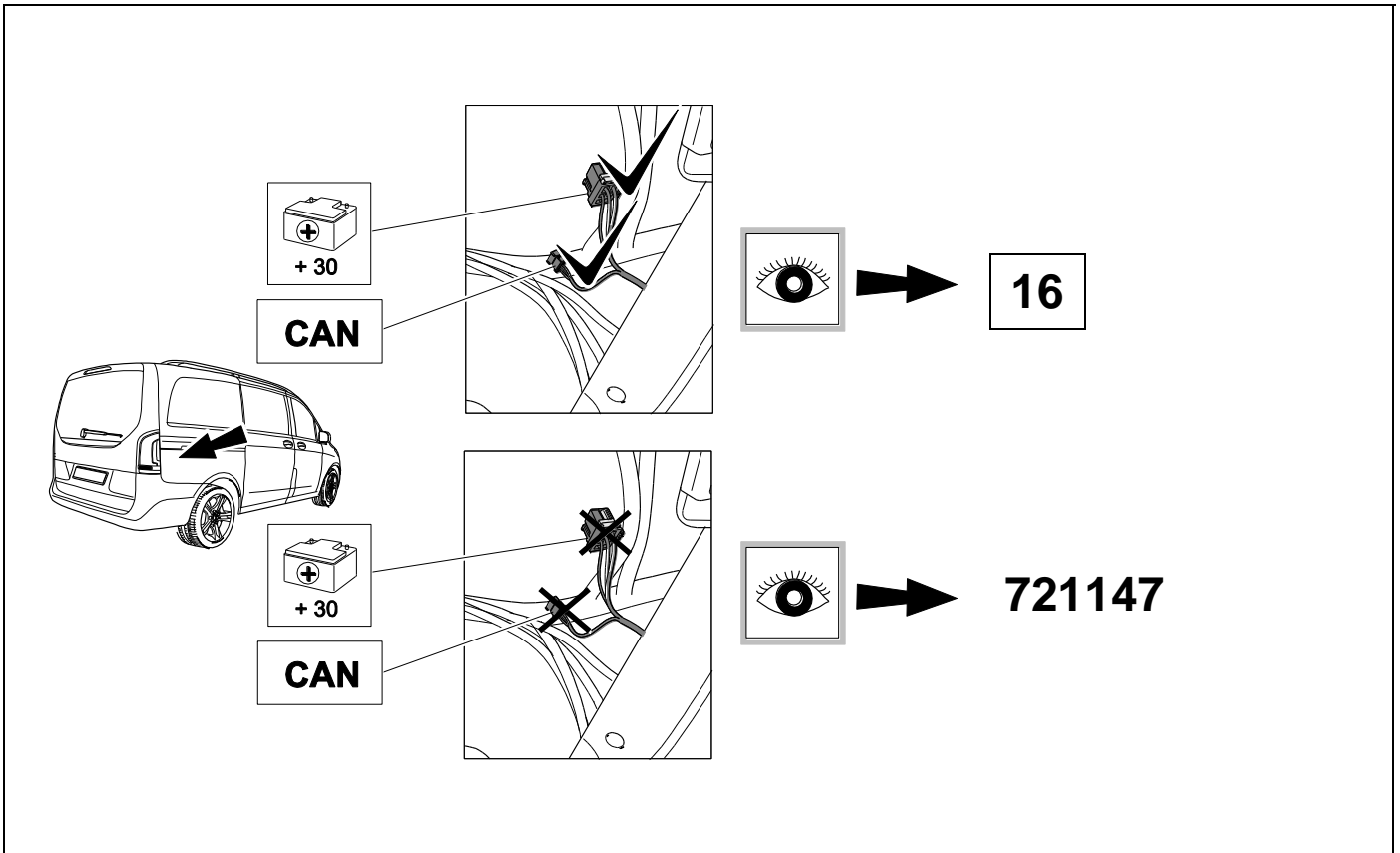
C



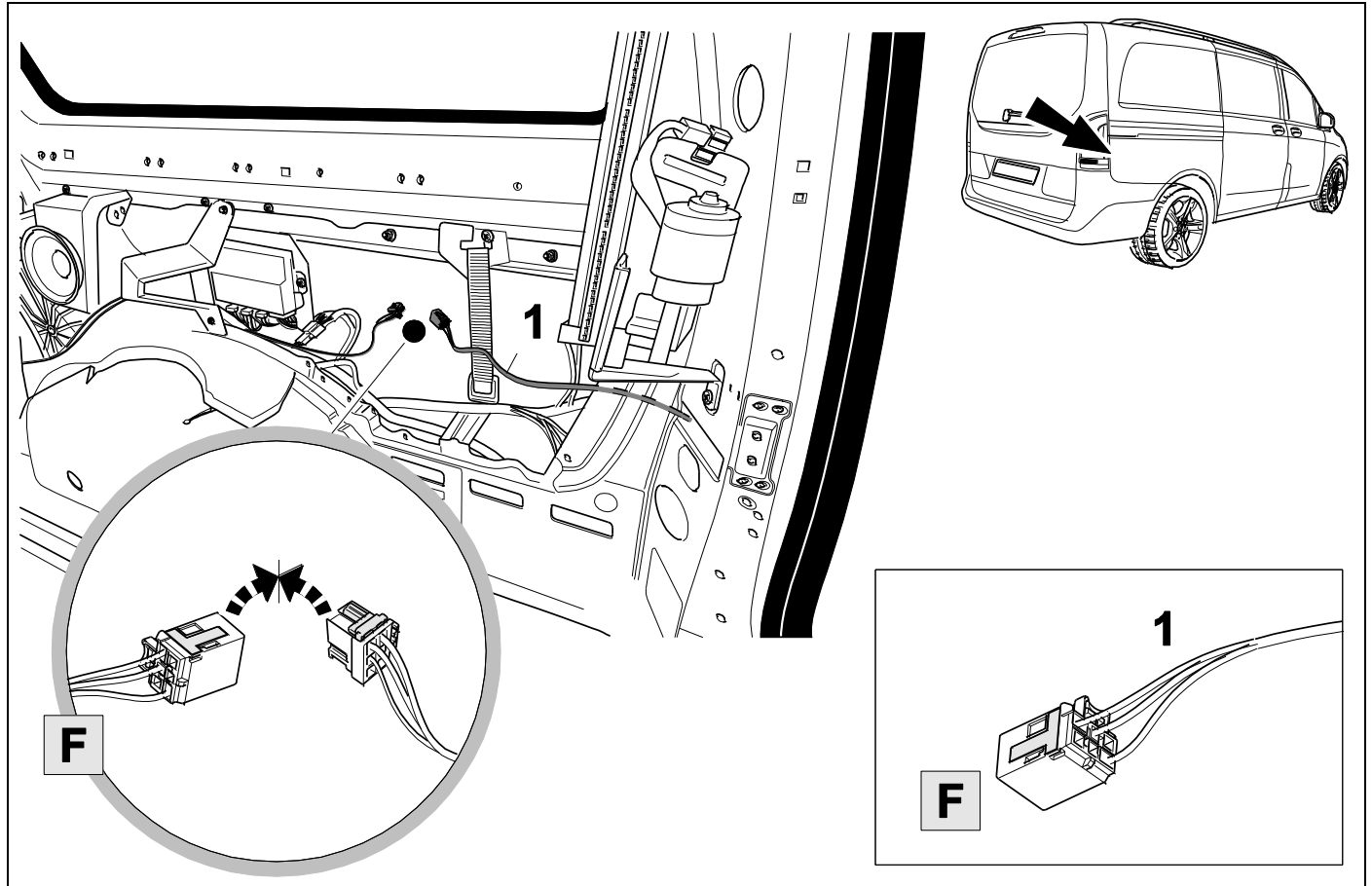
10



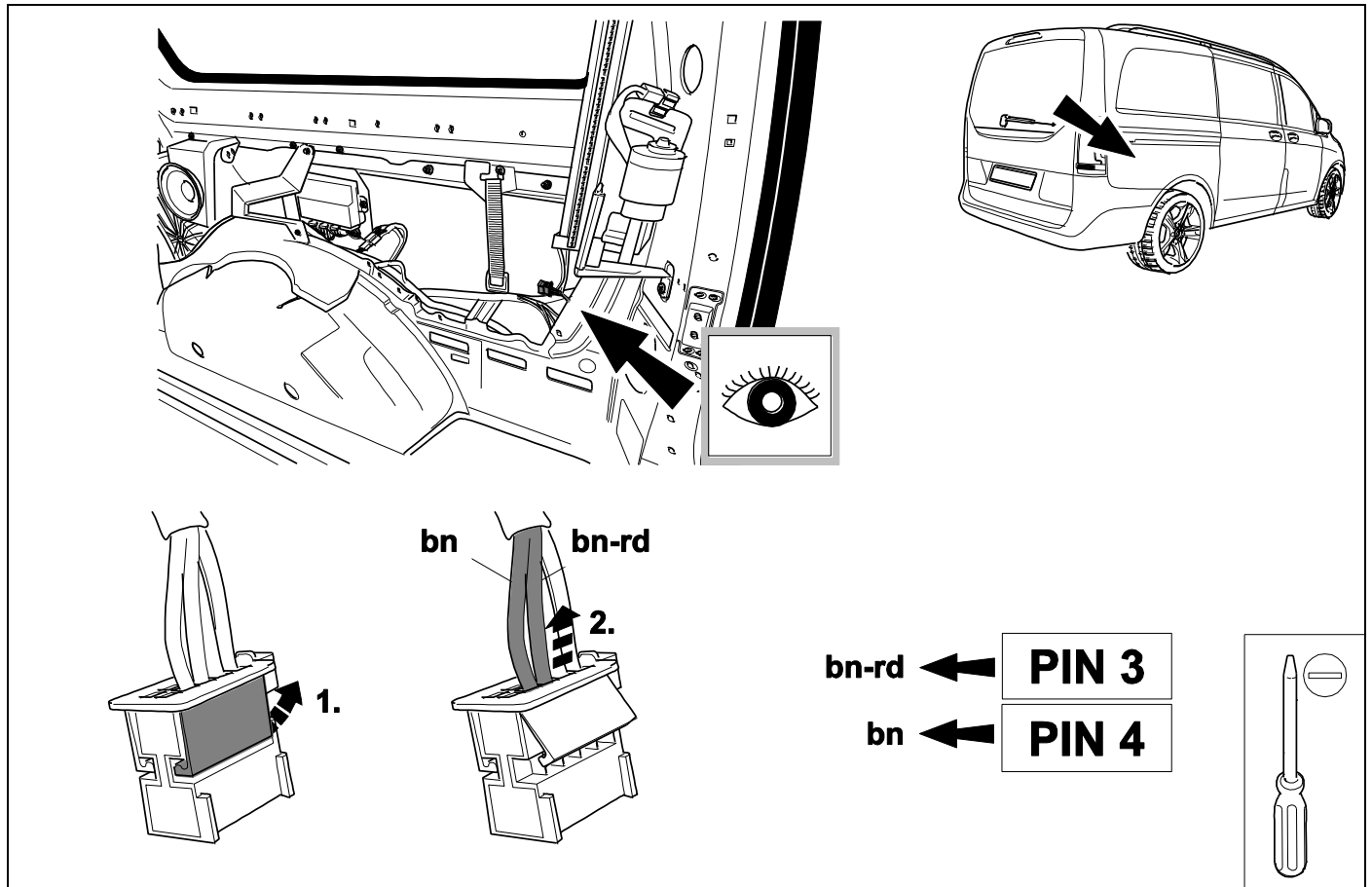
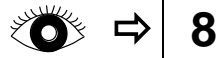
11

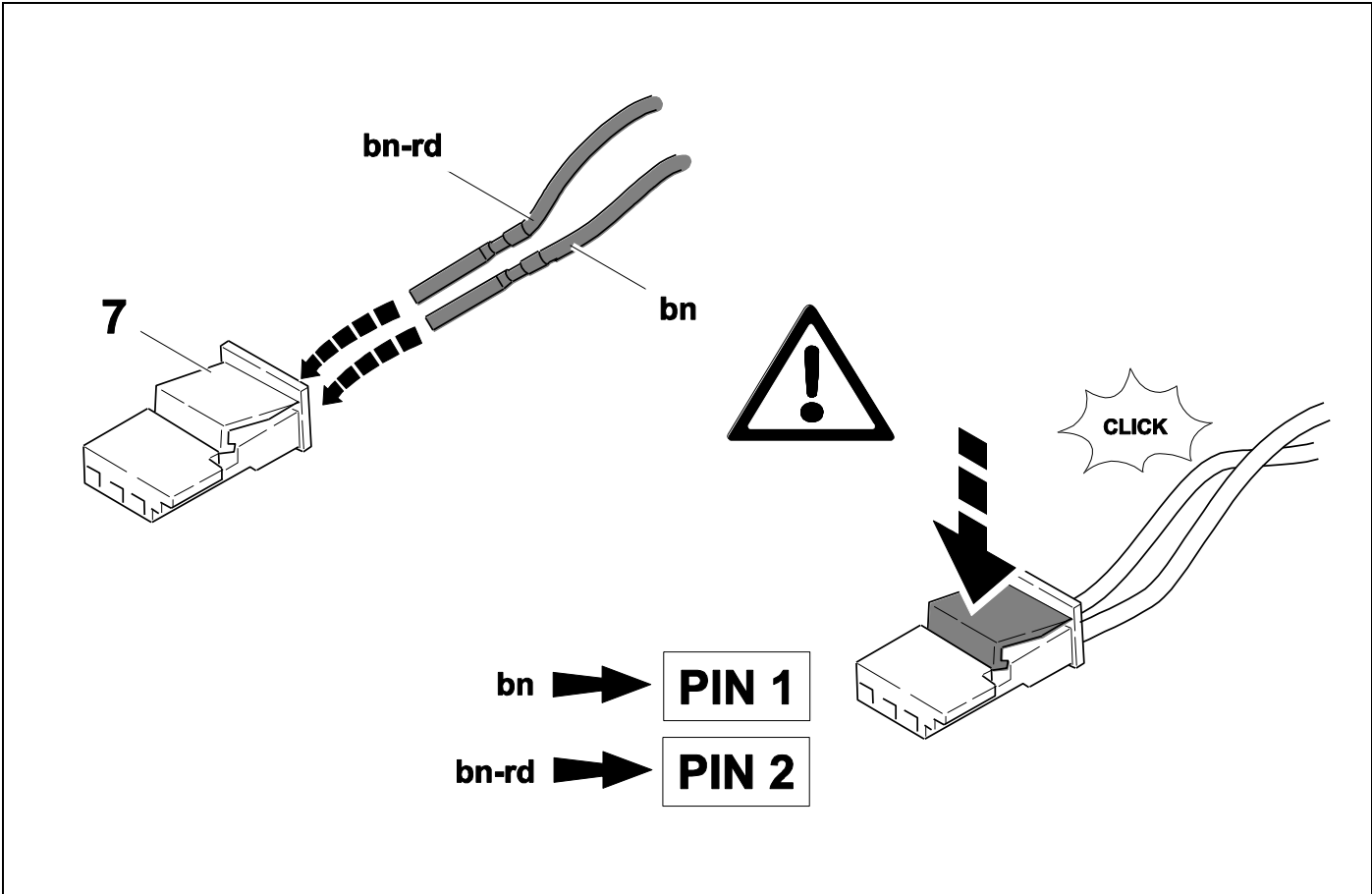


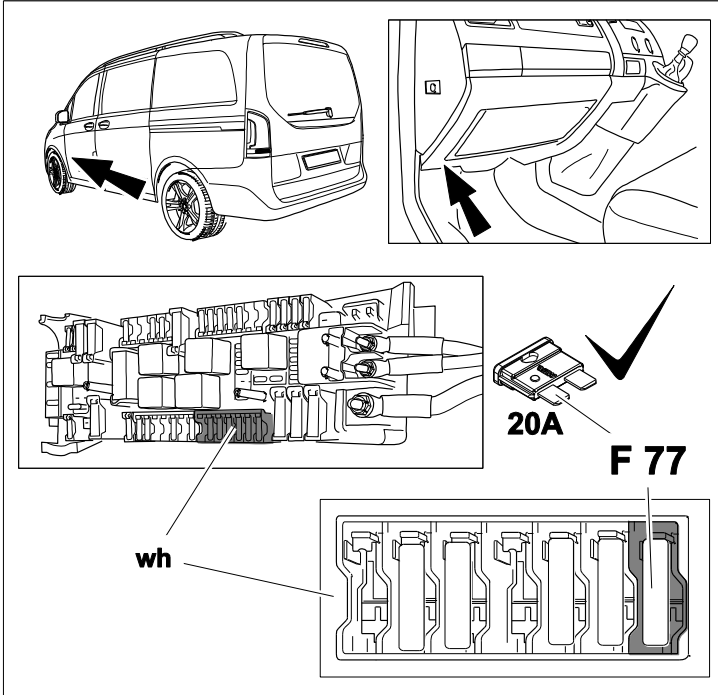
12



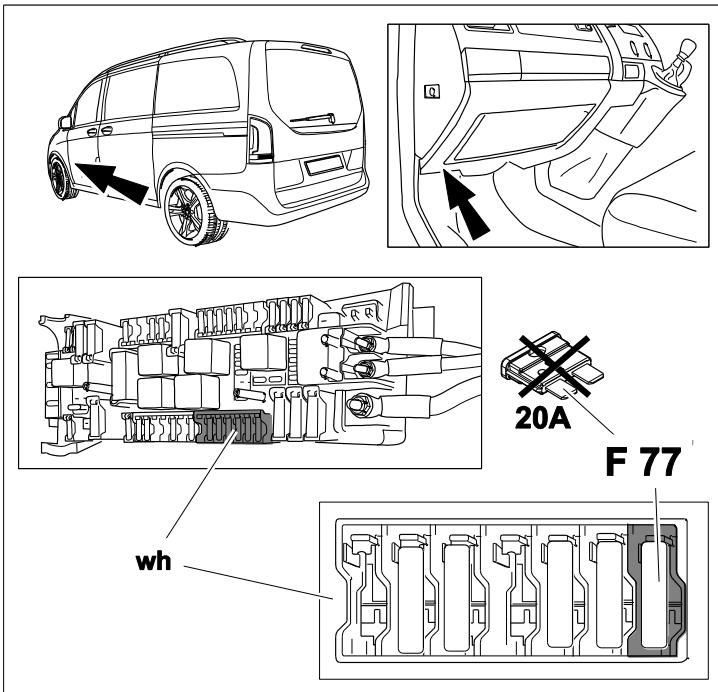
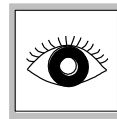
13



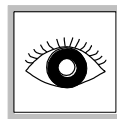




17 ⇒ 22



16 ⇒ 22



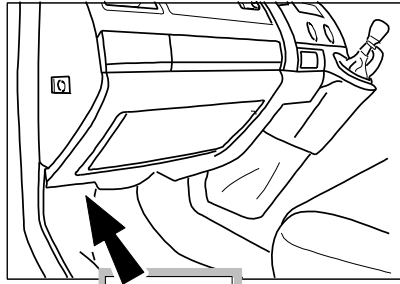
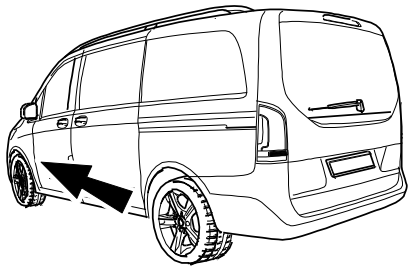
16



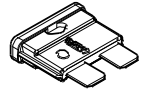
8

+

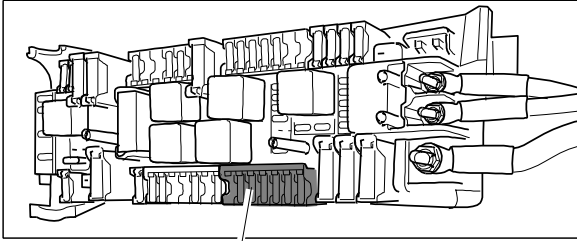
22



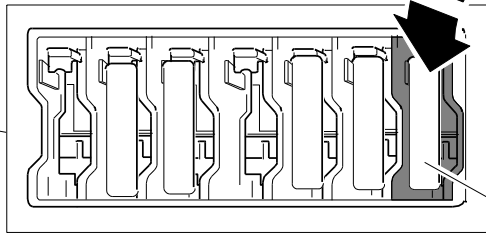
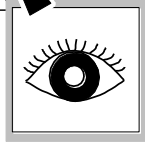
12



20A

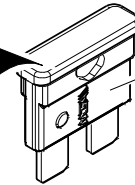


wh

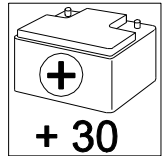


F 77

12



Hot all times!



+ 30

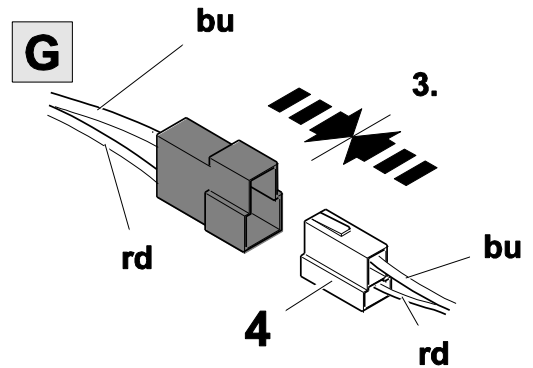
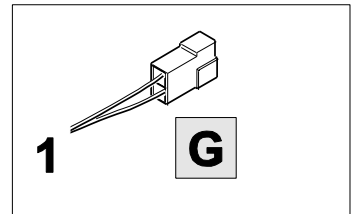
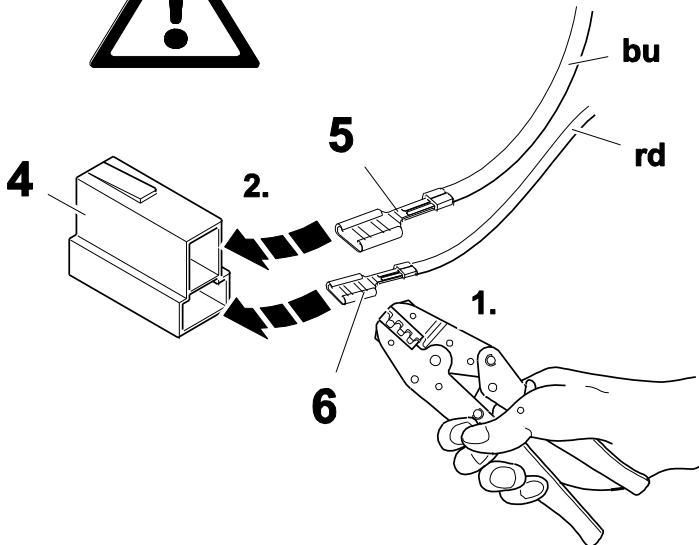
16 OPTIONAL



8



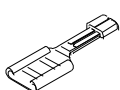
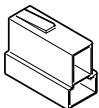
### Trailer Brake Preparation



4

5

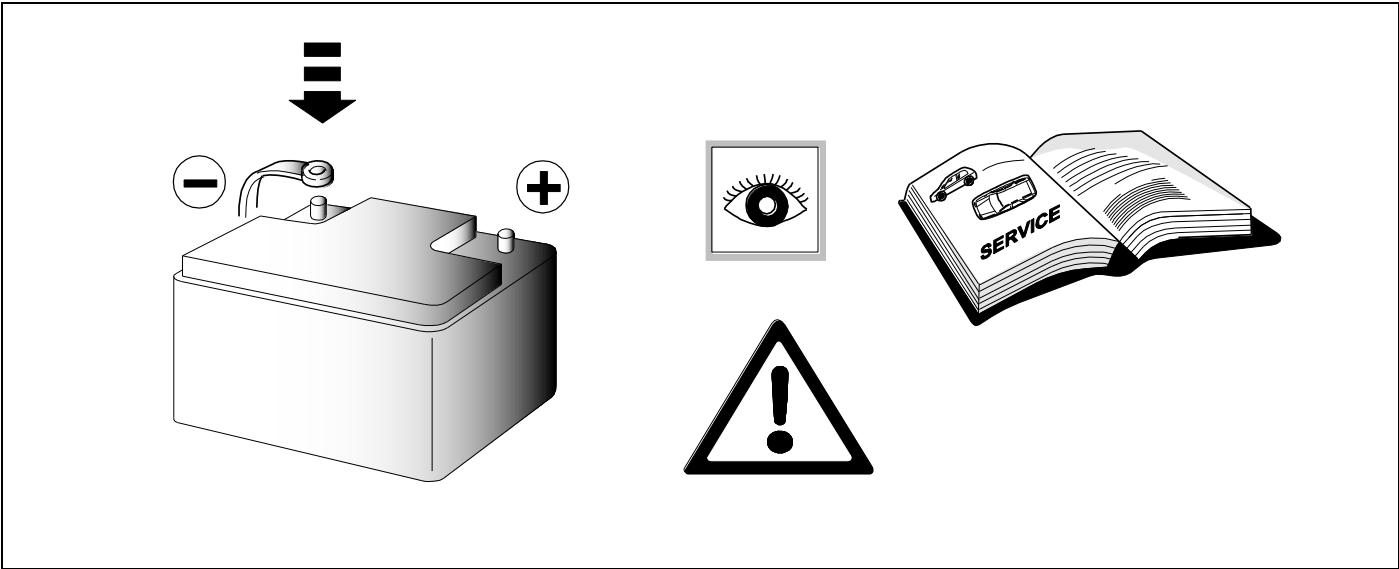
6



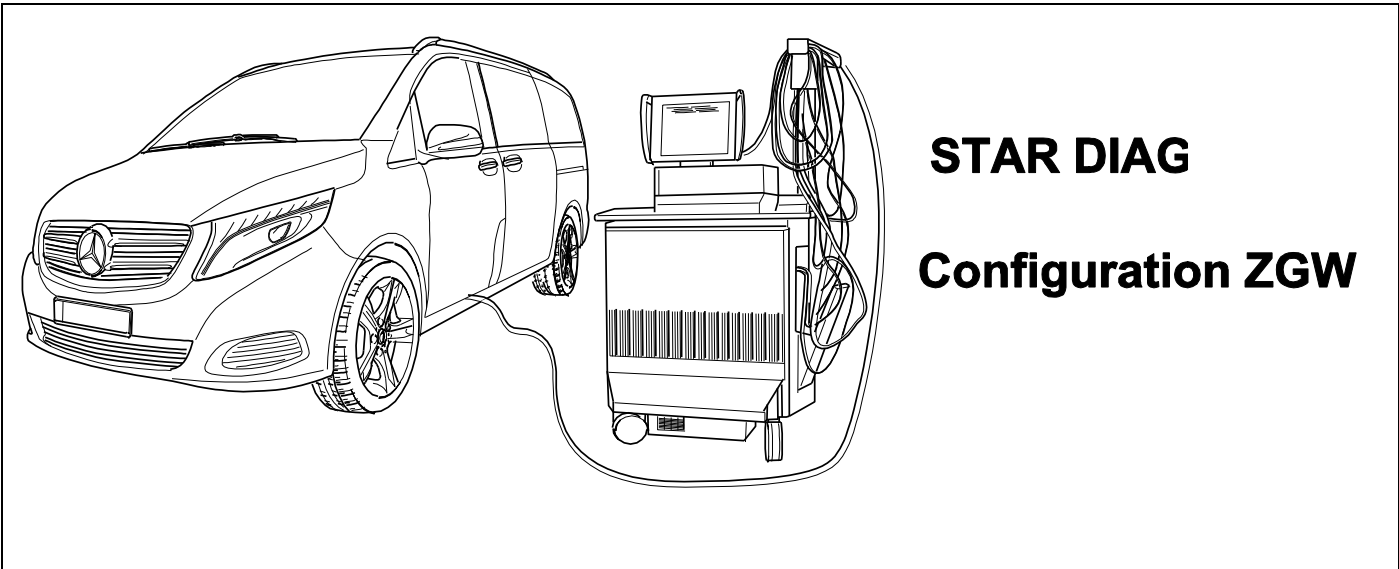
APPROVED, TESTED AND CERTIFIED TO BE USED WITH THE SPECTRUM BRAKE CONTROLLER.

USE OUR BRAKE CONTROLLER CONNECTION HARNESS 529008EJ

17

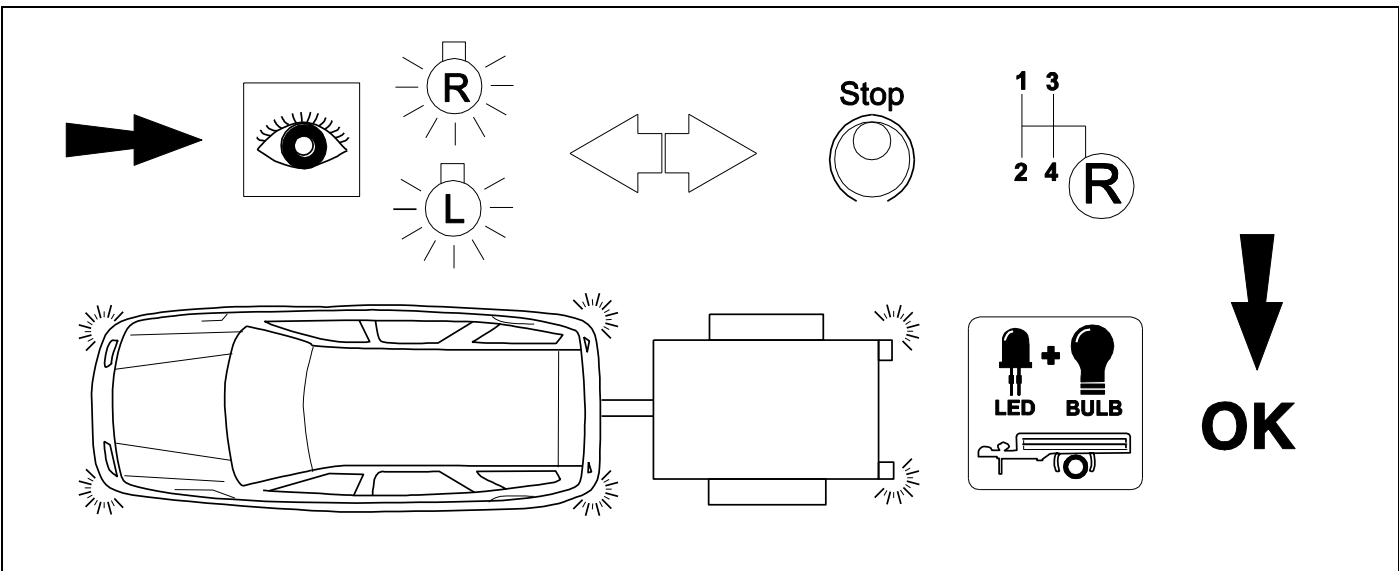


18



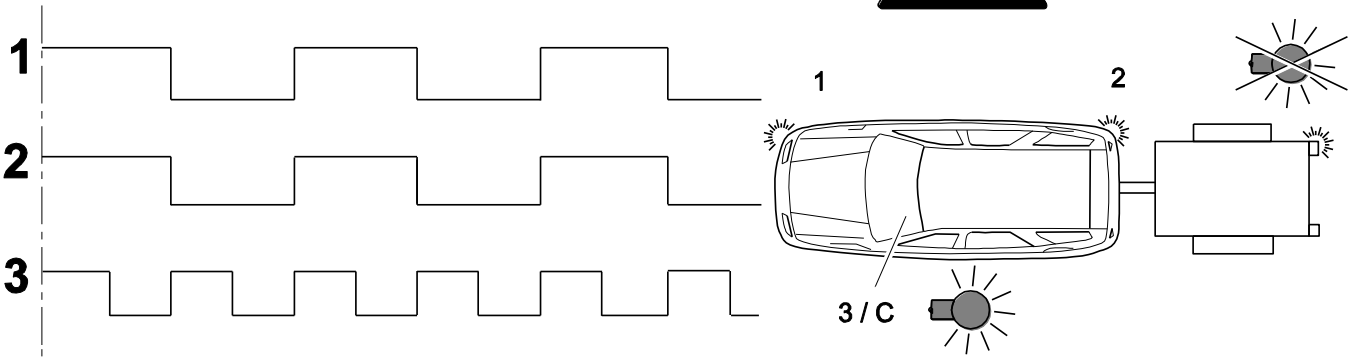
19

### CHECK ALL LIGHTING FUNCTIONS



## 20 CHECK

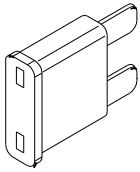
BULB OUT CONDITION INDICATED WITH INCREASED INDICATOR FREQUENCY



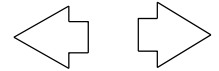
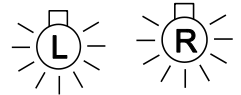
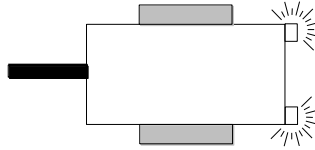
## 21



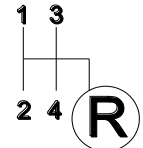
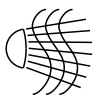
## 15



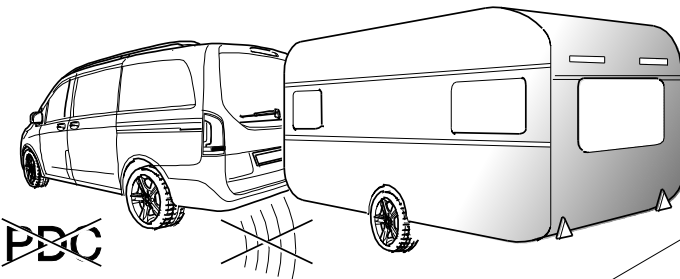
20 A



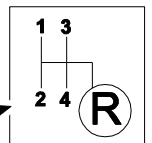
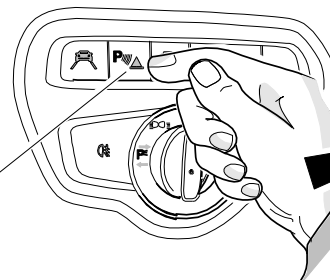
Stop

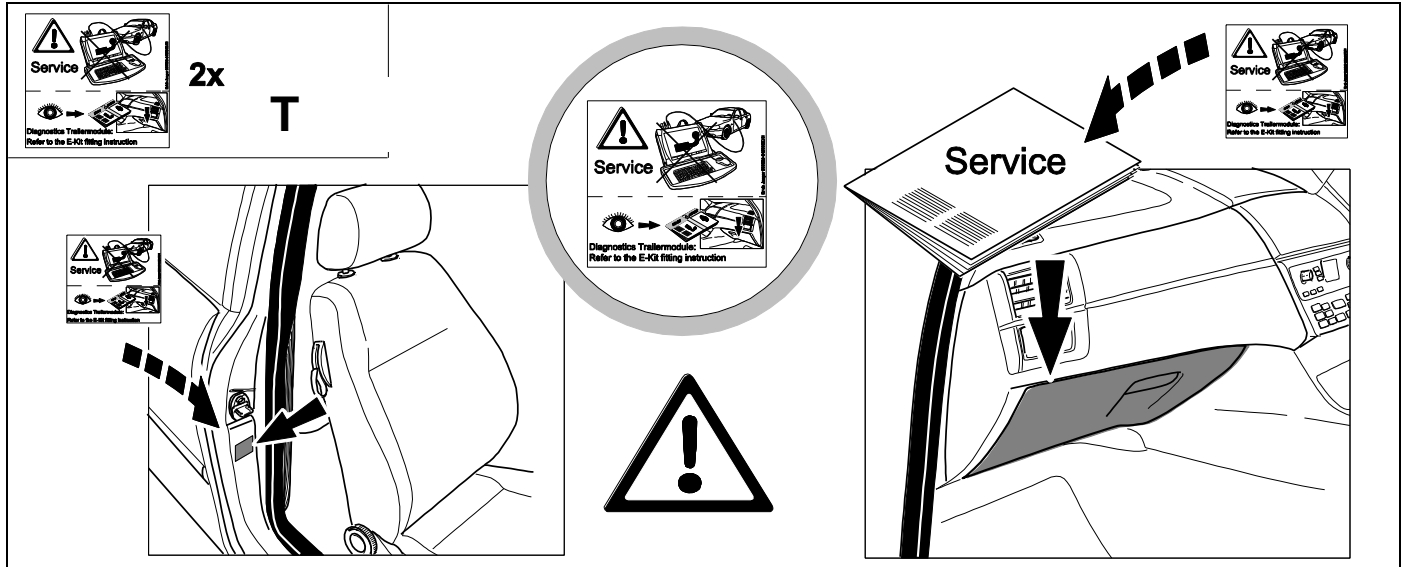


## 22 INFORMATION



~~PDC~~



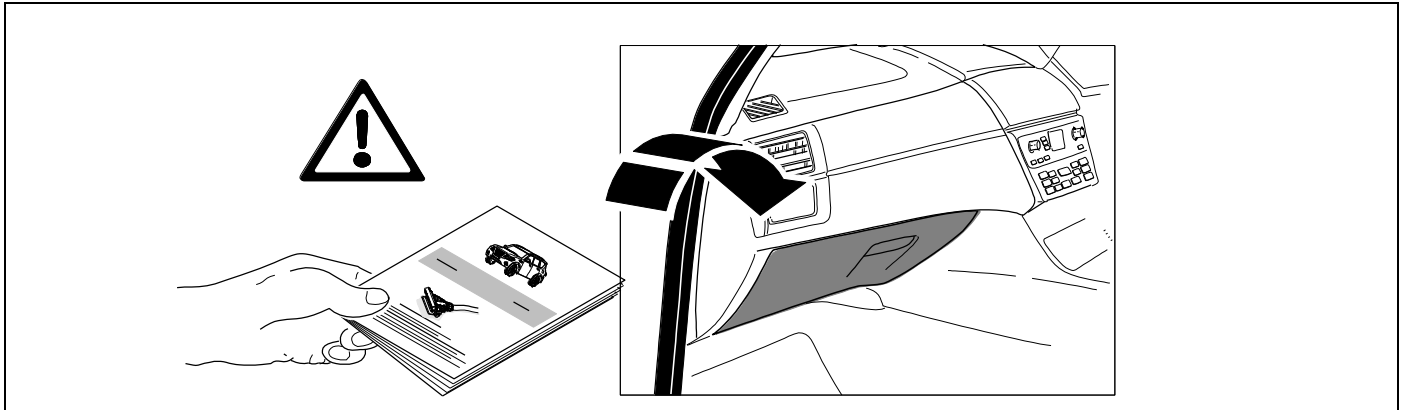












Subject to change in terms of construction, equipment and colour, and may contain errors.  
The information and illustrations are non-binding.

Scan this for our full E-Kit catalogue

