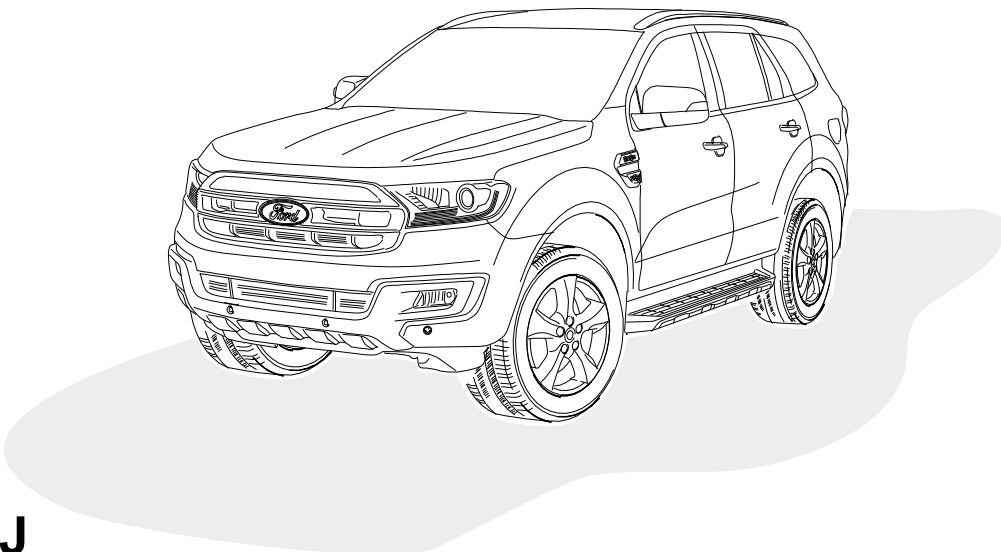




ERICH JAEGER



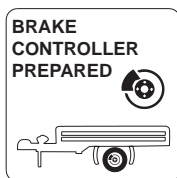
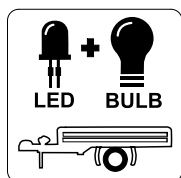
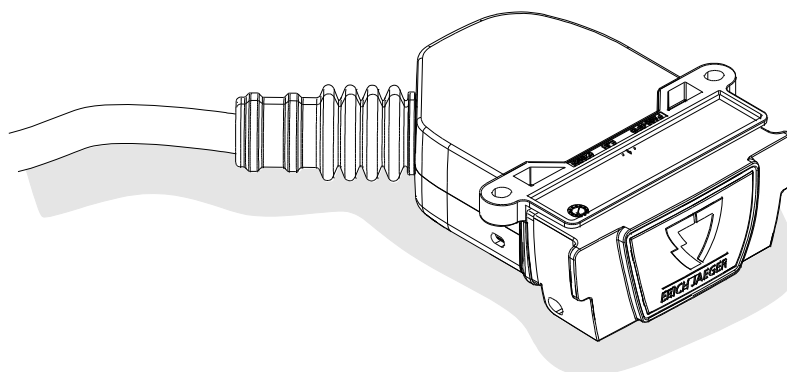
750052EJ

FORD Everest With trailer preparation

10/15 >>



SCAN FOR
LATEST
INSTRUCTIONS



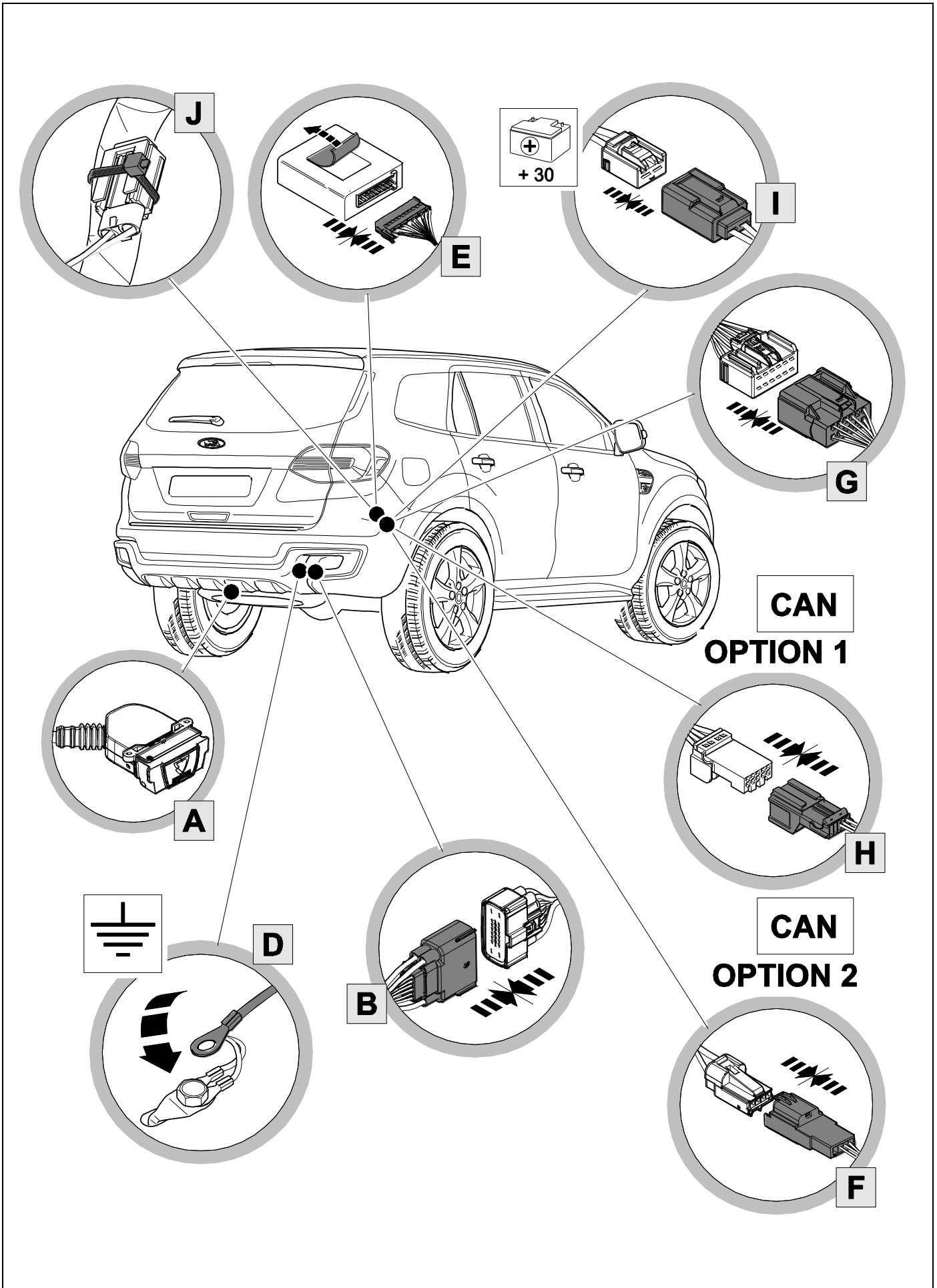
Reference:

The following information must be reviewed before beginning the assembly:

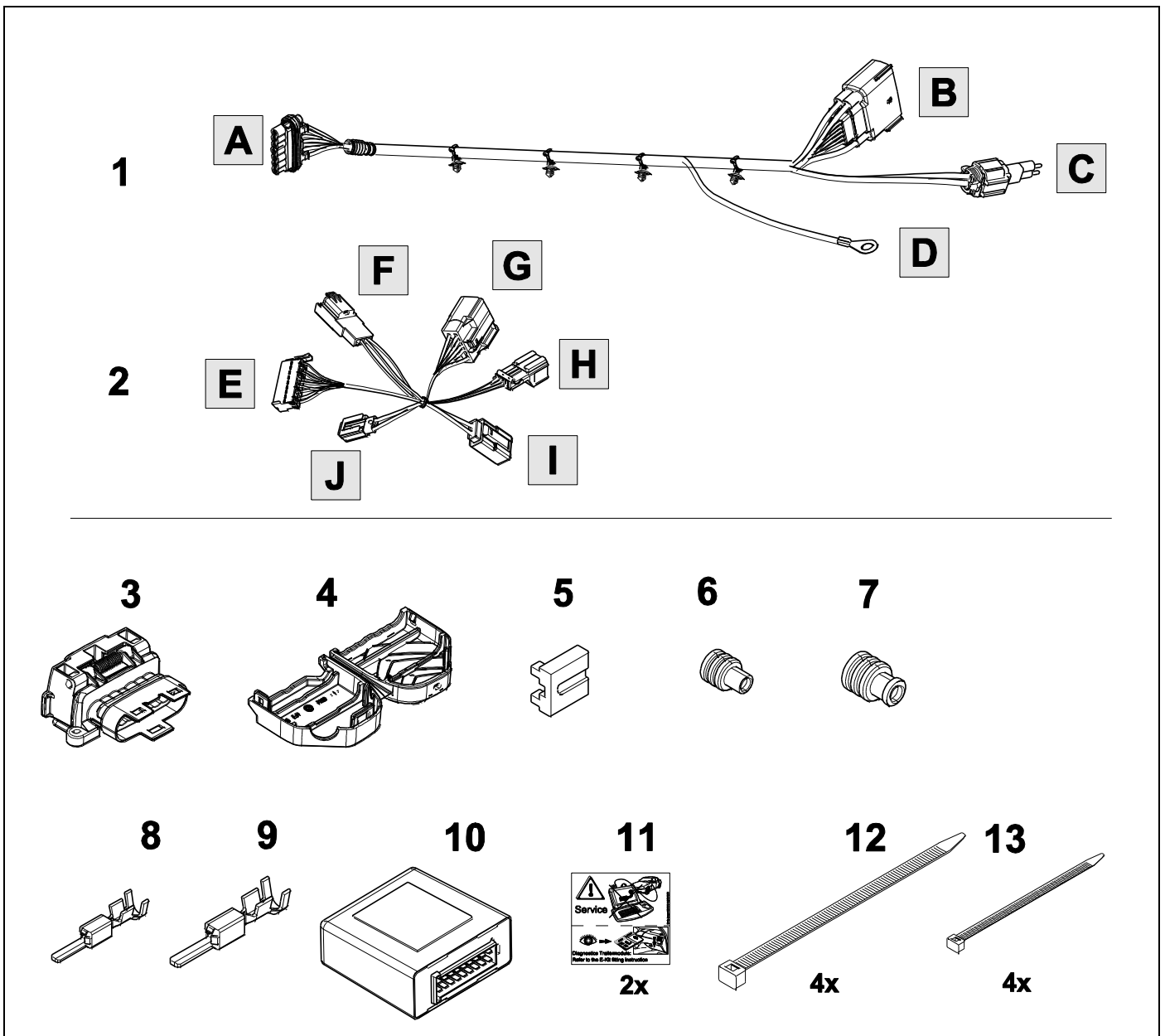
The installation instructions are to be thoroughly read.

The installation should be carried out by qualified personnel with the relevant technical knowledge. The vehicle manufacturers' current technical notices and information on retrofitting must be followed. The removal and replacement instructions found in the current repair manuals must be followed.

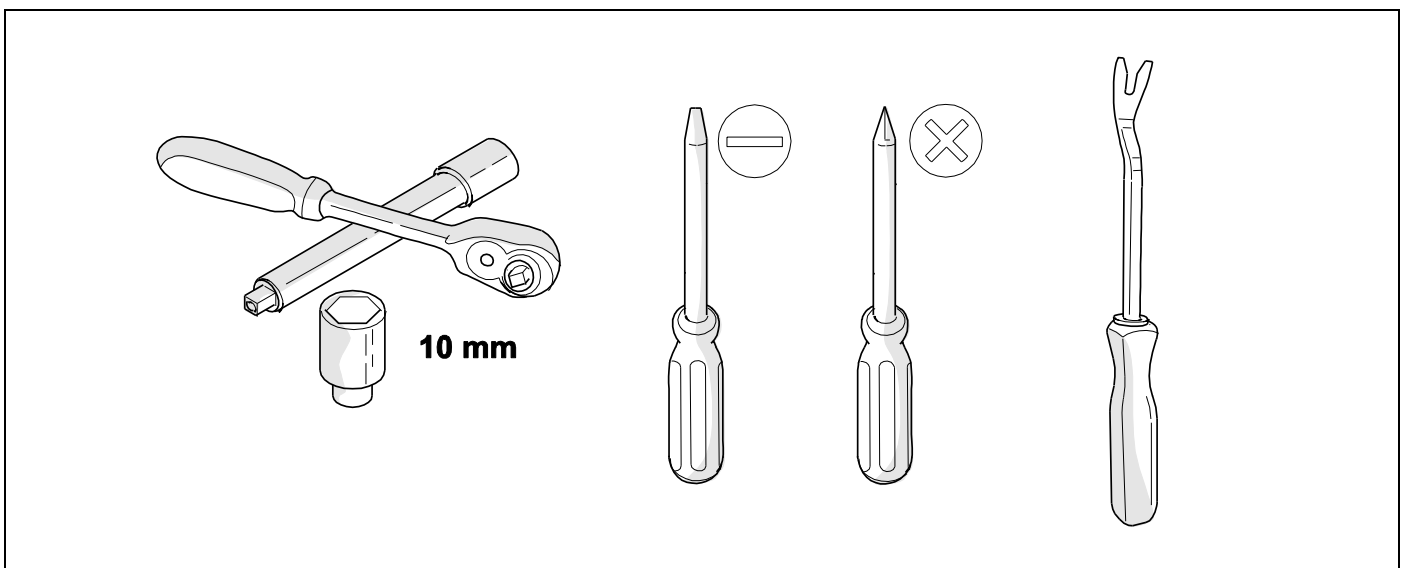
It must be ensured that the vehicle is technically suitable for the installation of a trailer hitch.



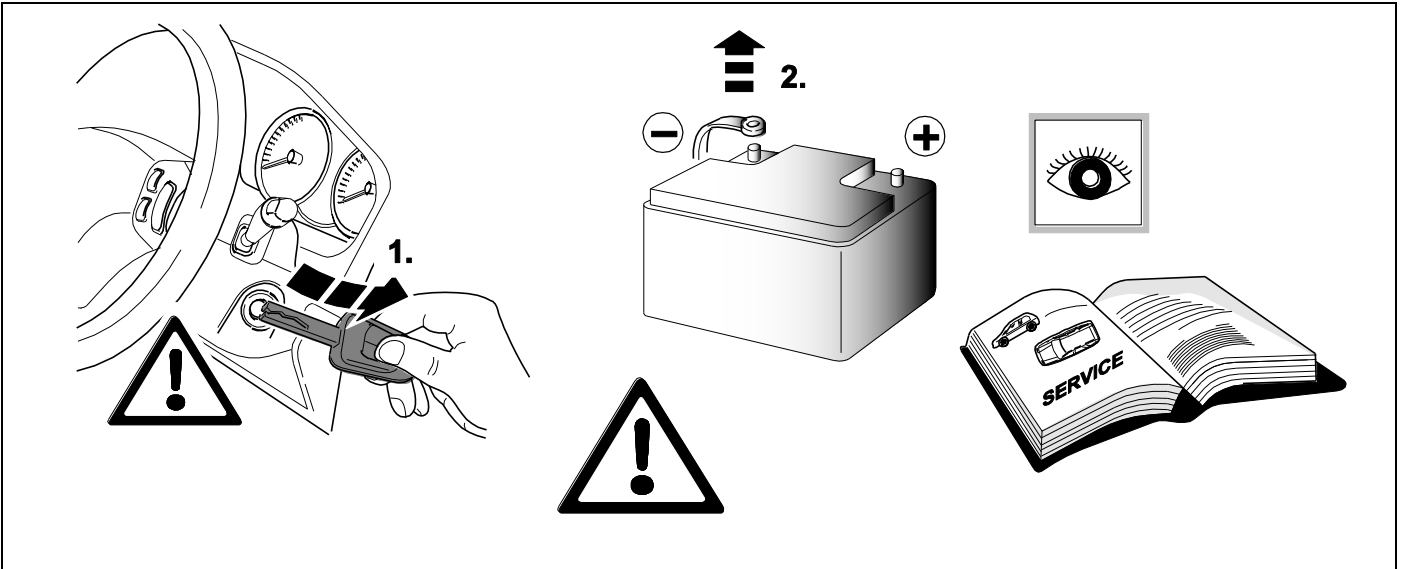
KIT



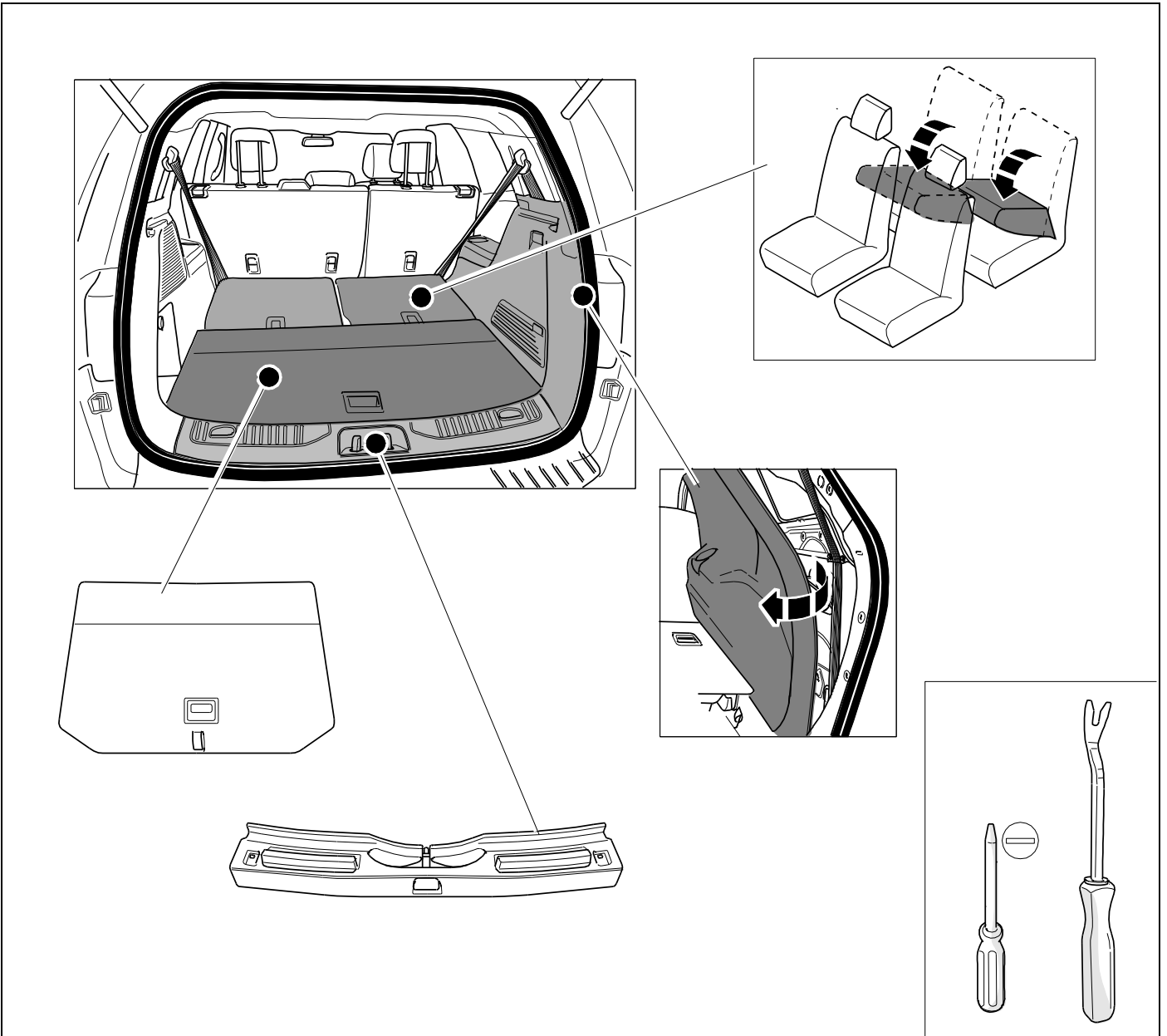
TOOLS



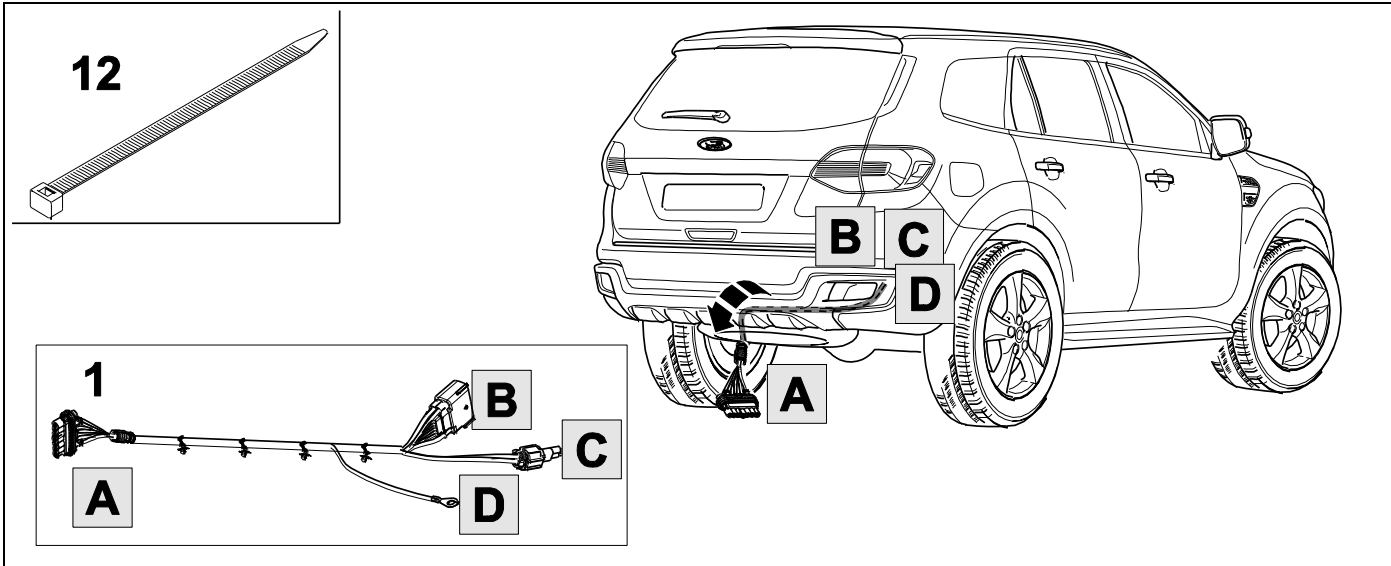
1



2



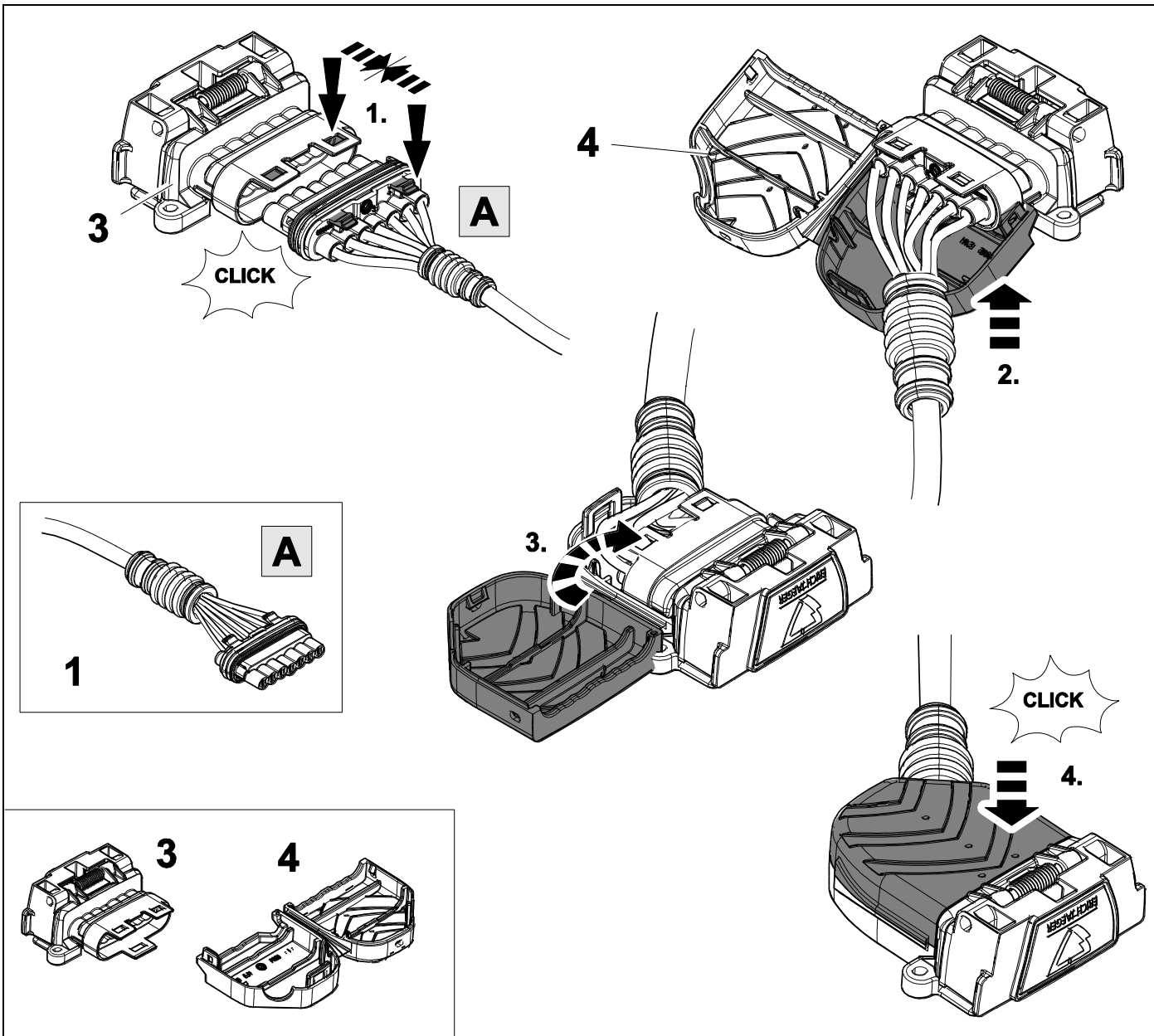
3



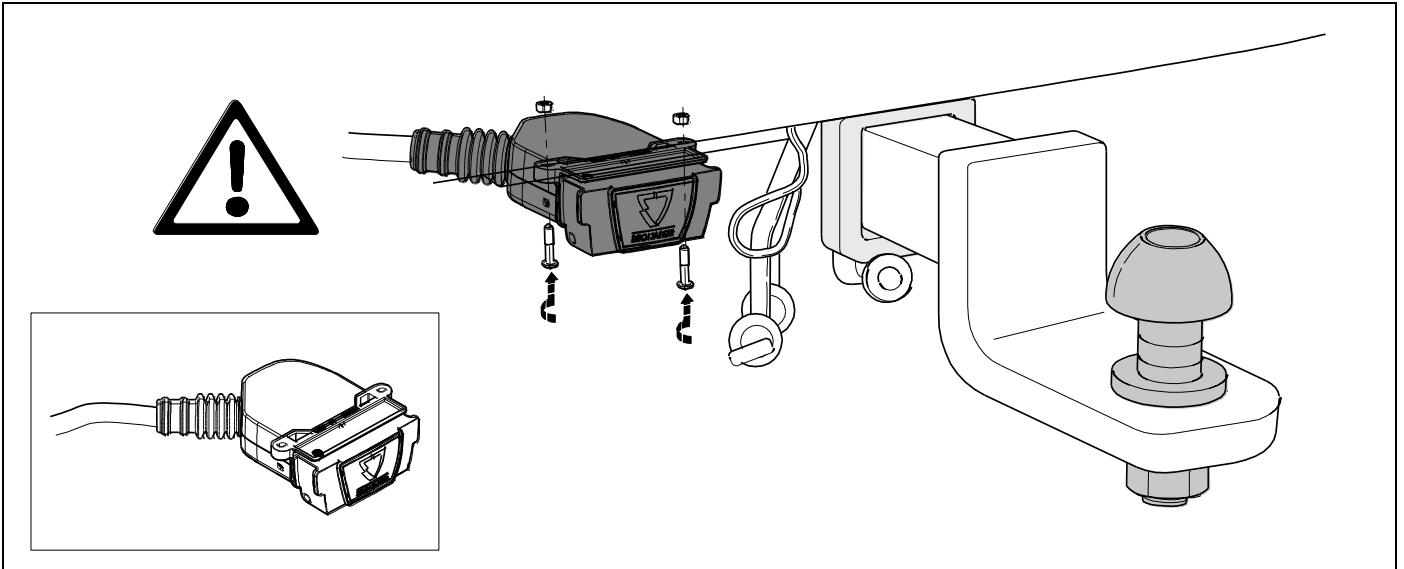
4



6



5



6



7

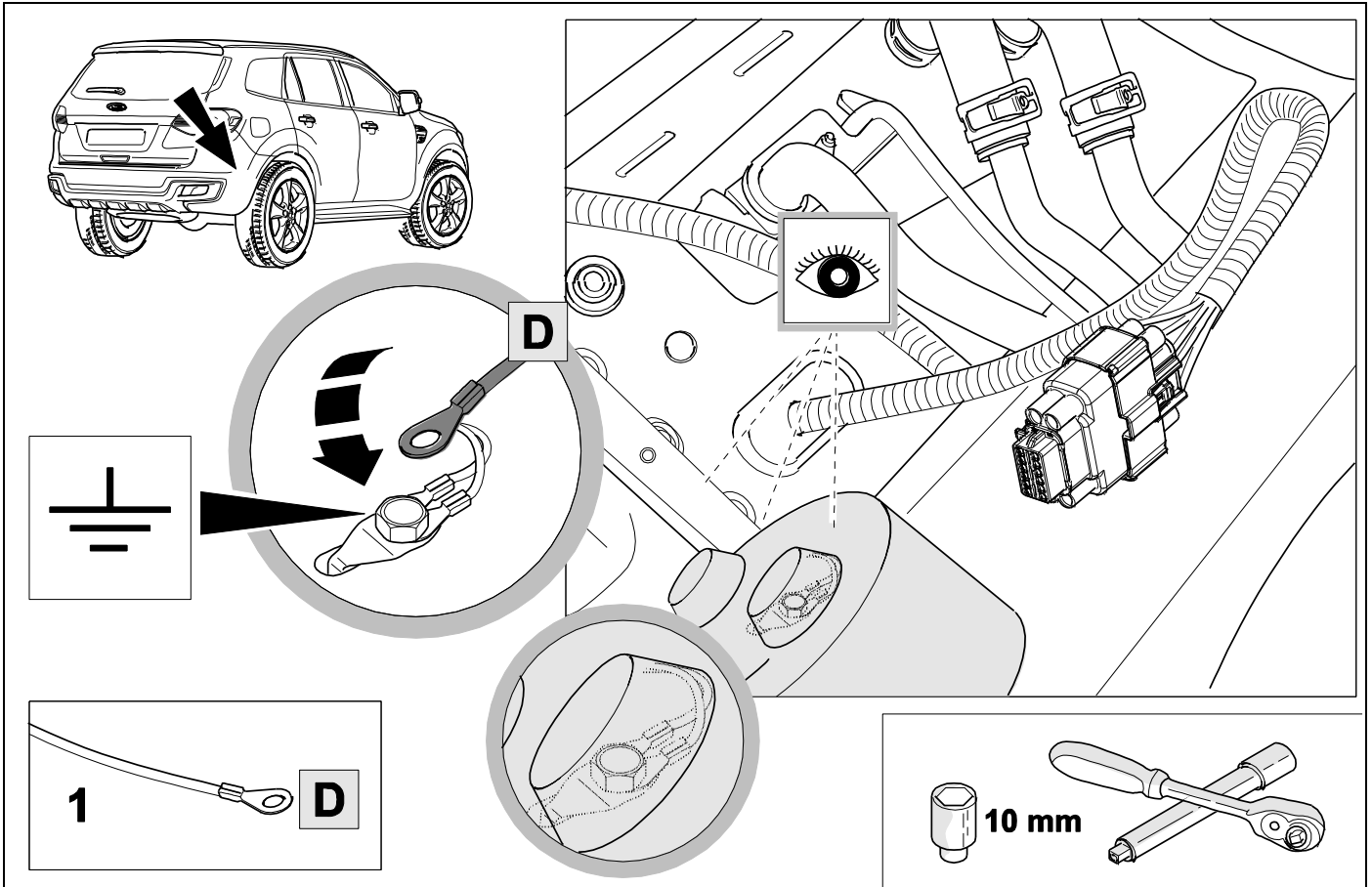
1	ye	
2	bk	
3	wh	
4	gn	
5	bu	
6	rd / rd	
7	bn	

7	bk	wh	gy	gn	rd	bu	ye	bn	pu	or	no
	black	white	grey	green	red	blue	yellow	brown	purple	orange	not occupied

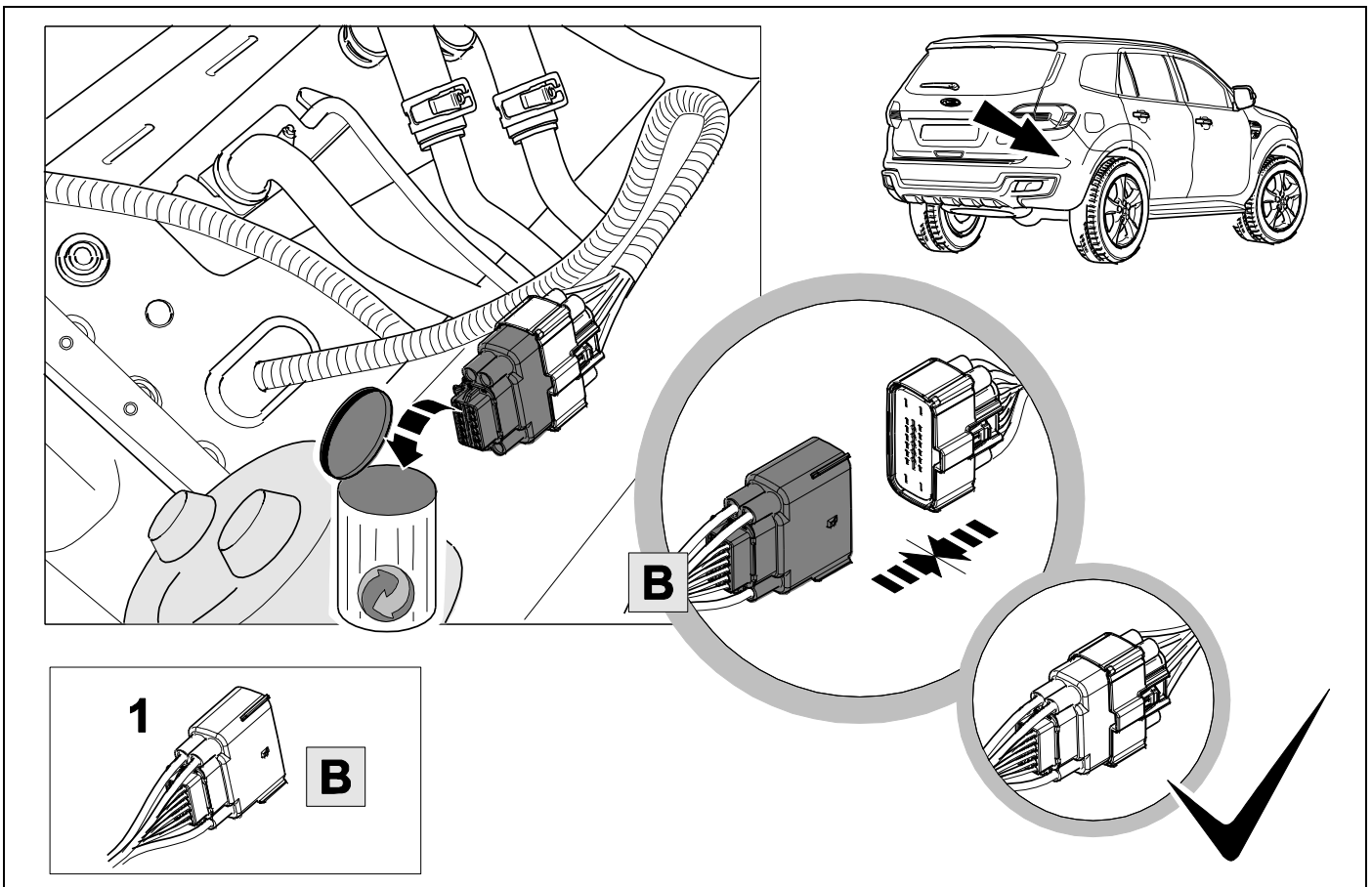
YouTube

SCAN to WATCH

8



9

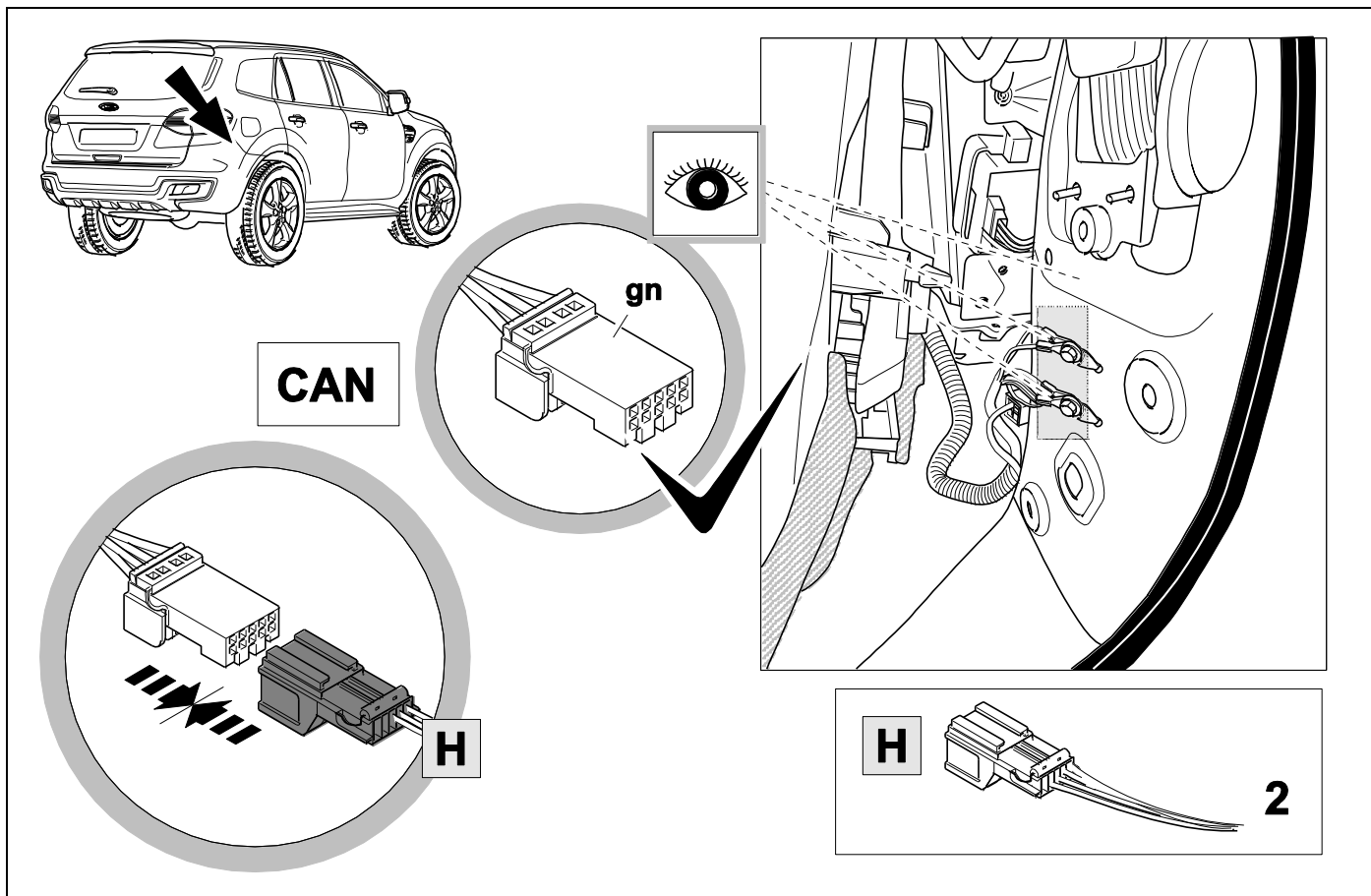


10



7

OPTION 1

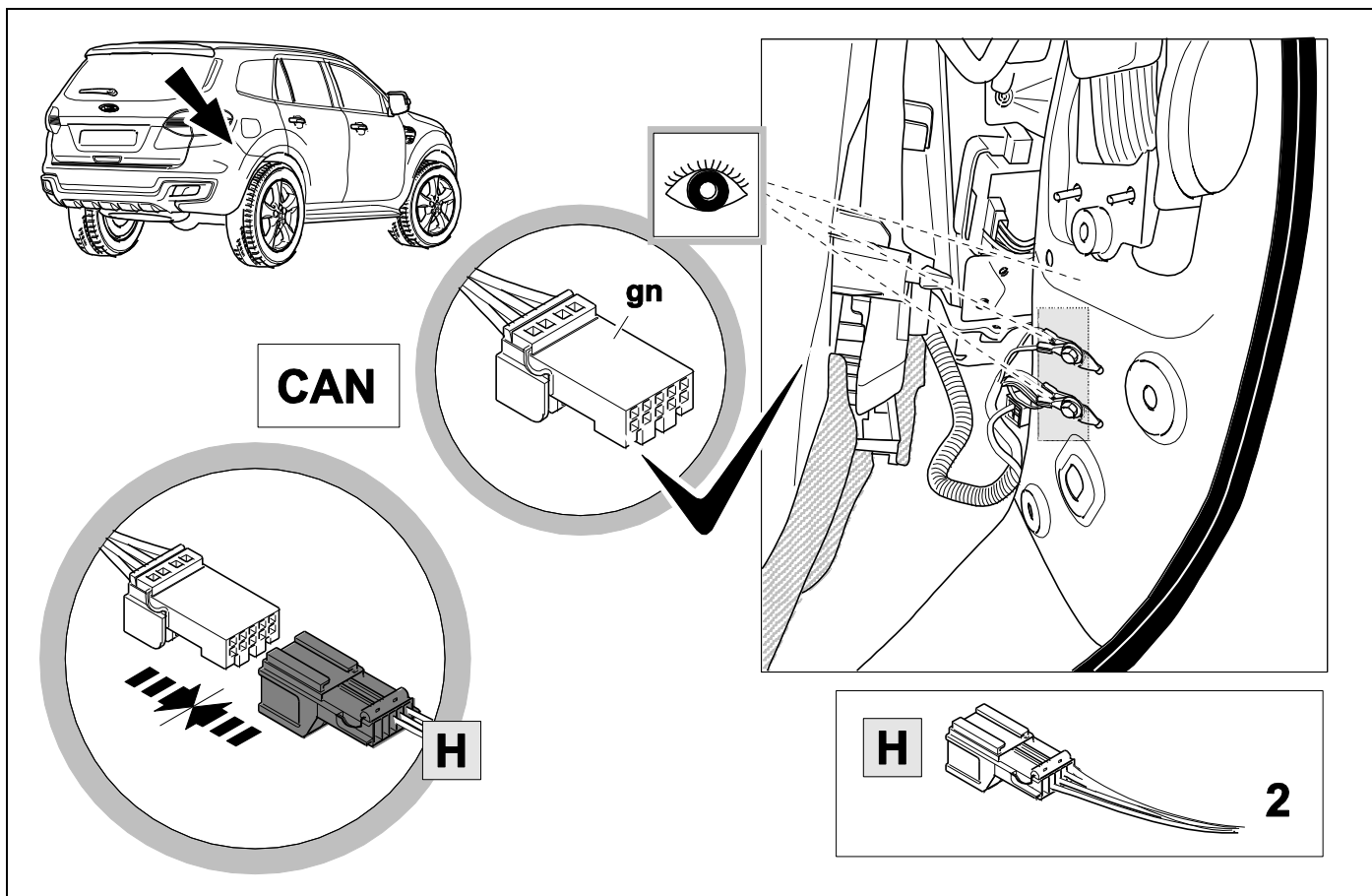


11



7

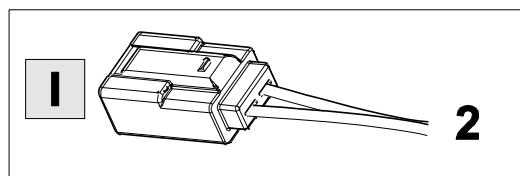
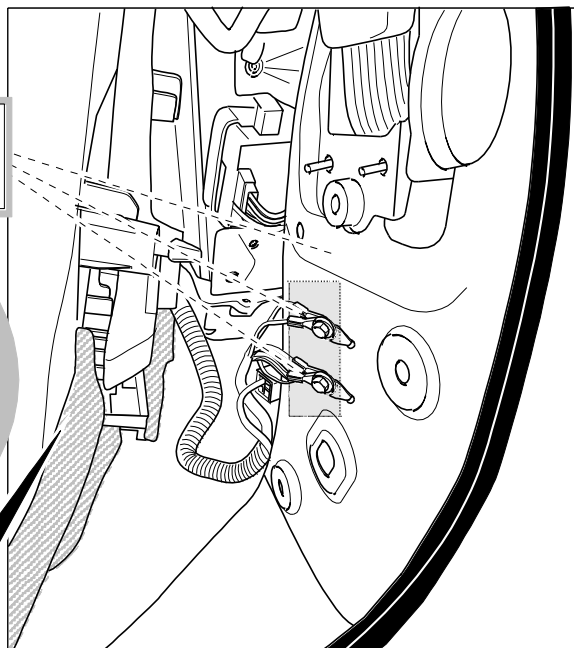
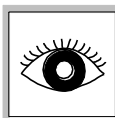
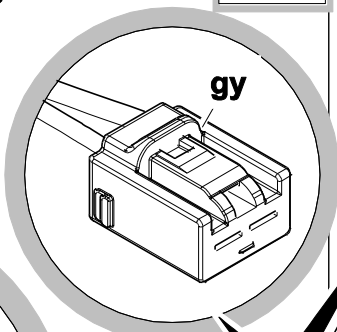
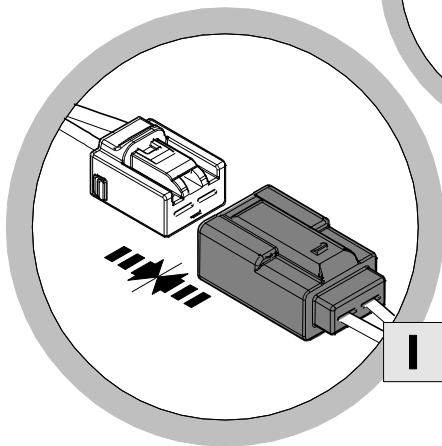
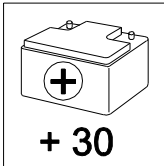
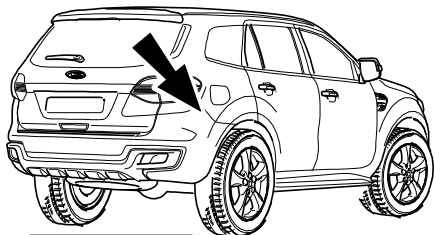
OPTION 2



12



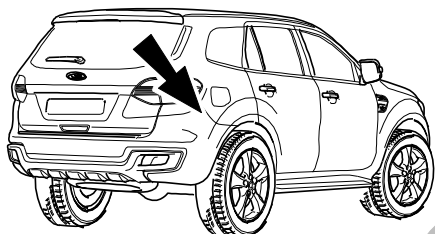
7



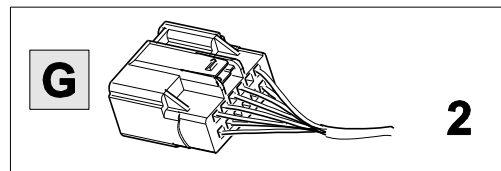
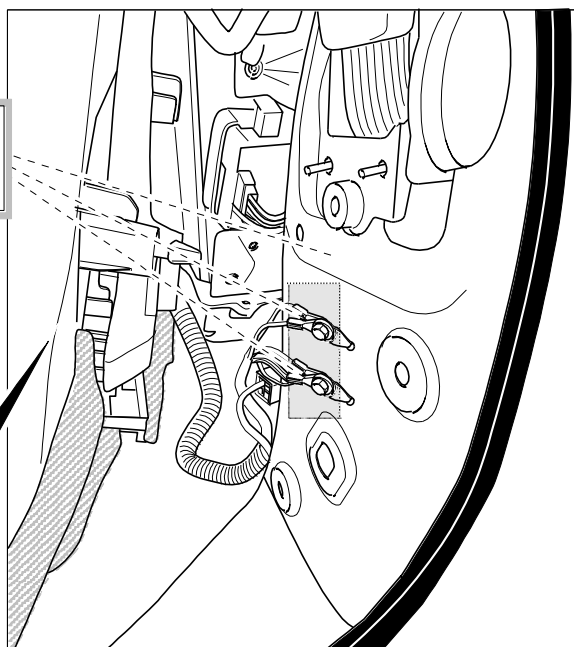
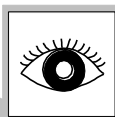
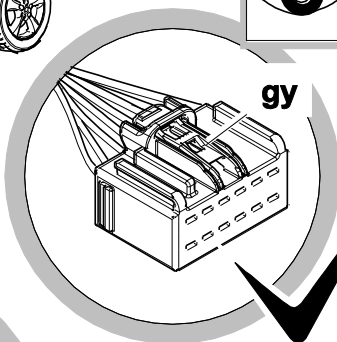
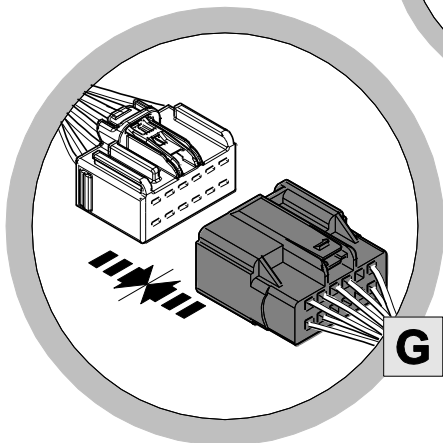
13

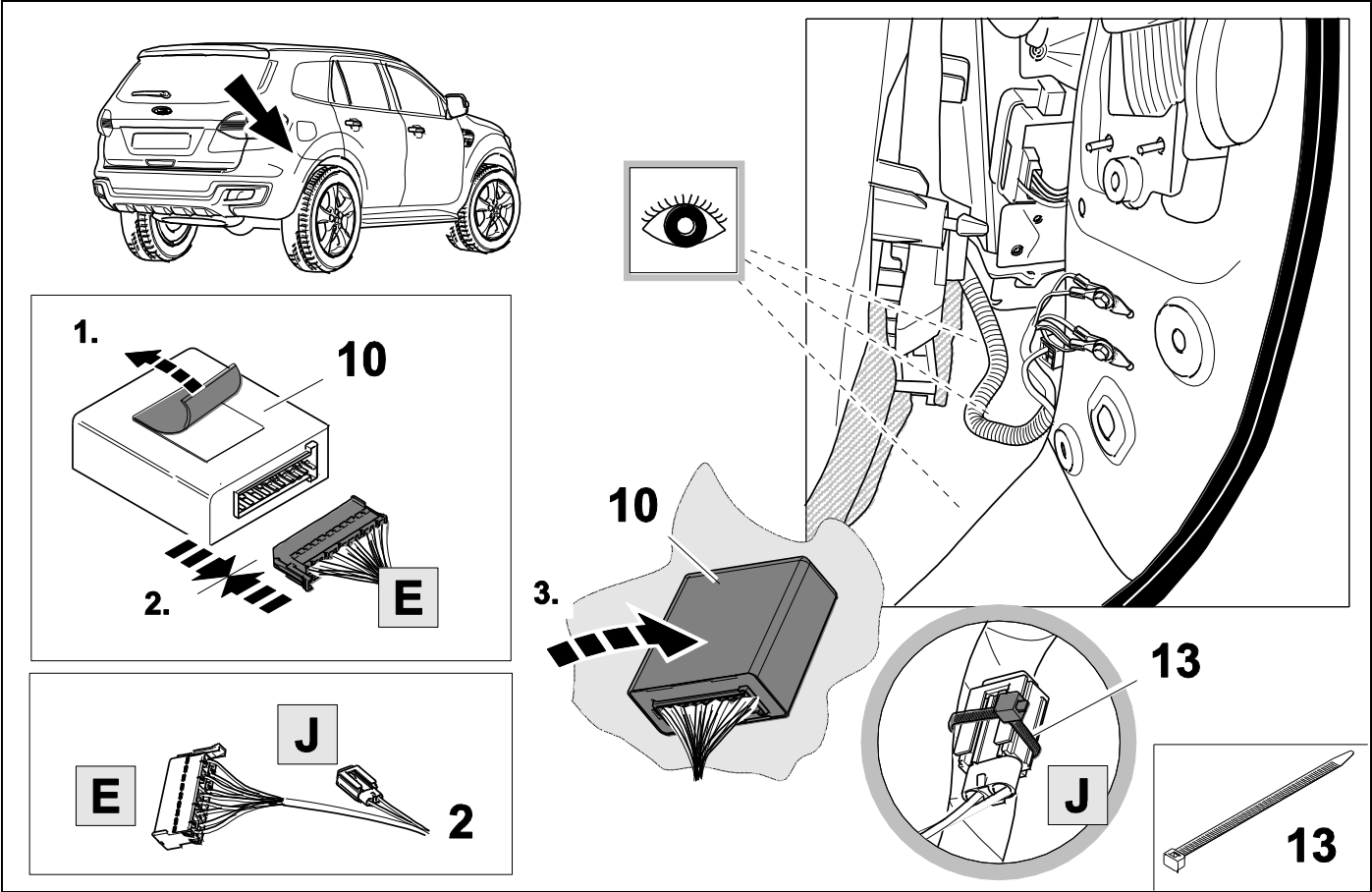


7



CAN



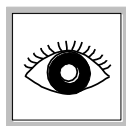
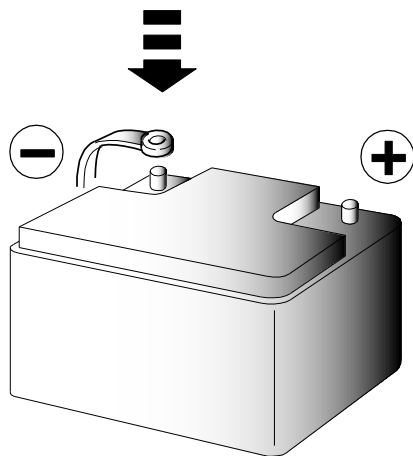
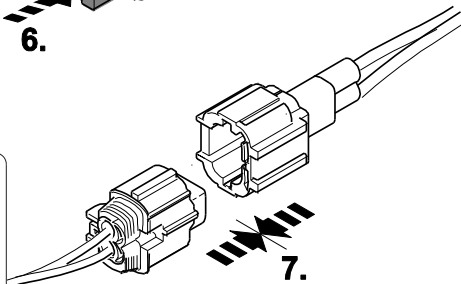
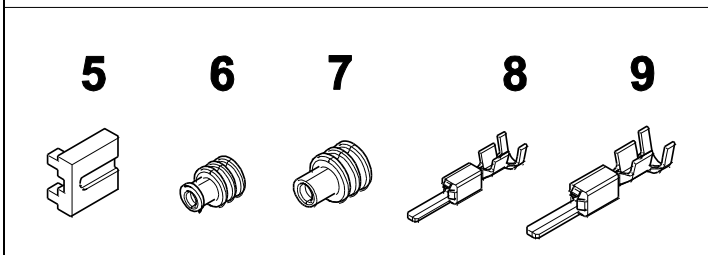
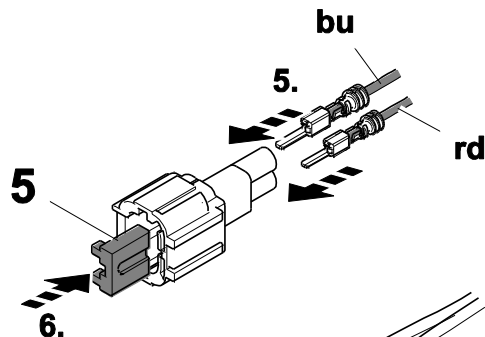
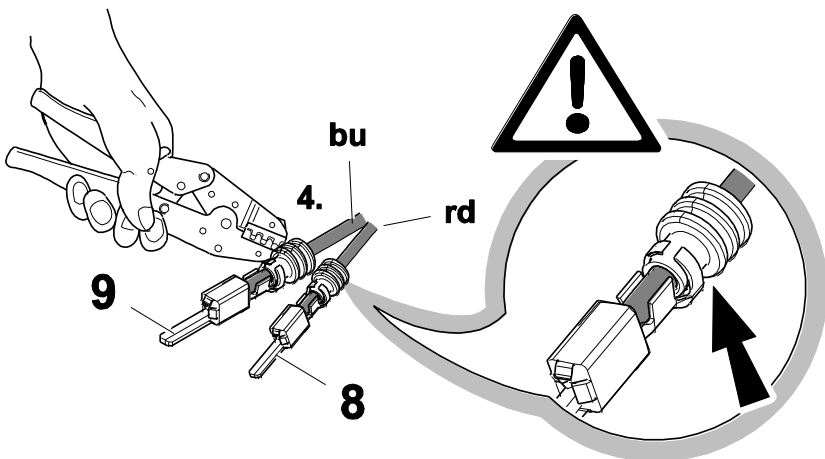
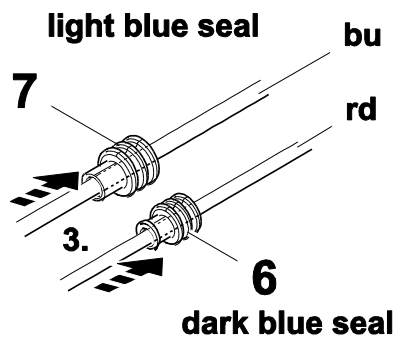
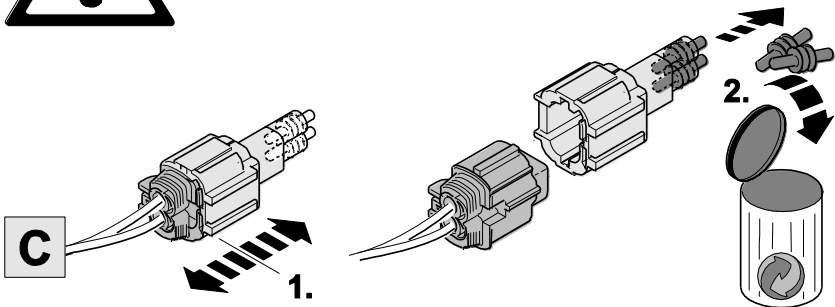




Trailer Brake Preparation

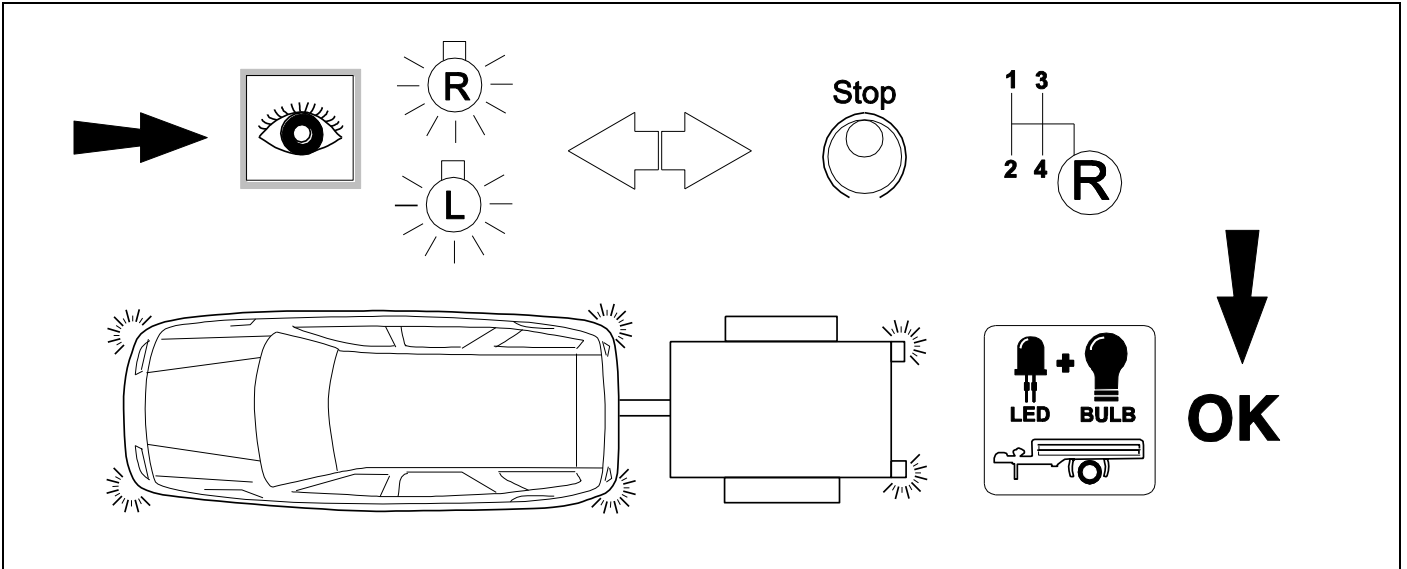
APPROVED, TESTED AND CERTIFIED TO BE USED WITH THE SPECTRUM BRAKE CONTROLLER.

USE OUR BRAKE CONTROLLER CONNECTION HARNESS 529007EJ



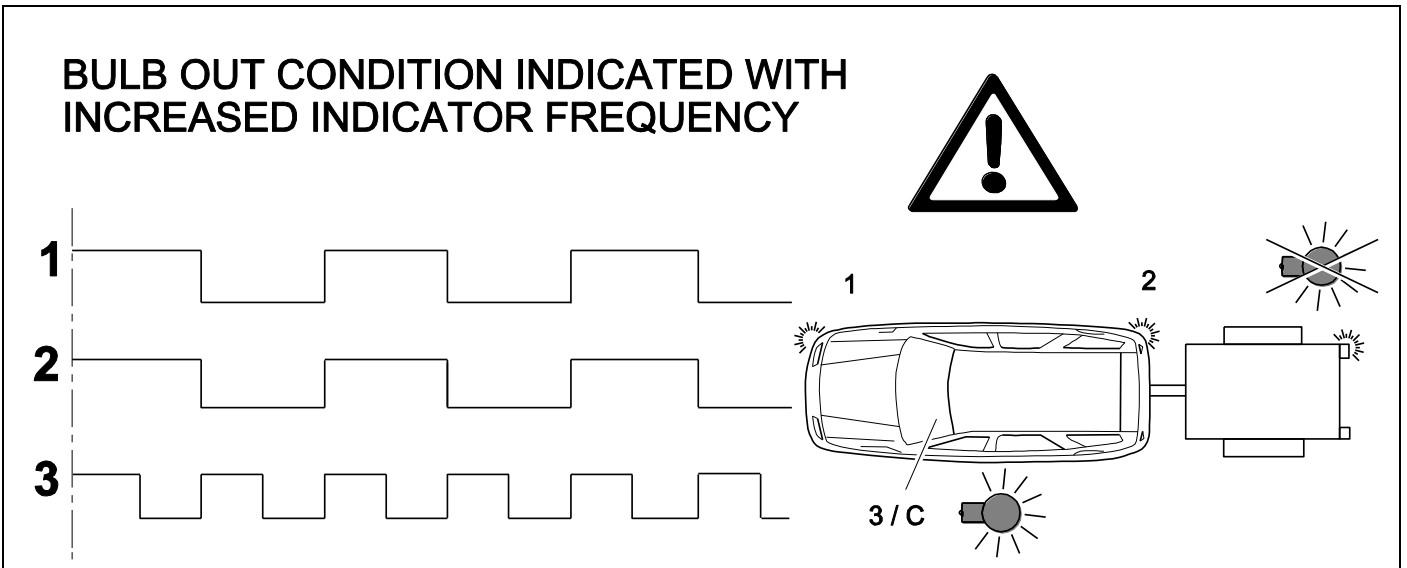
17

CHECK ALL LIGHTING FUNCTIONS



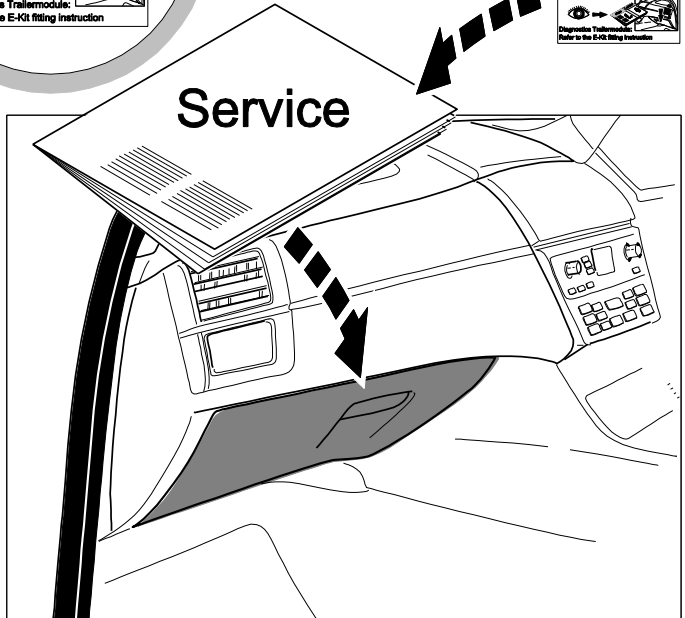
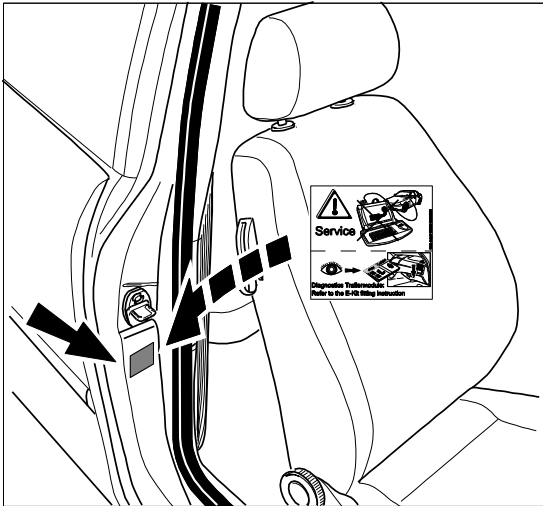
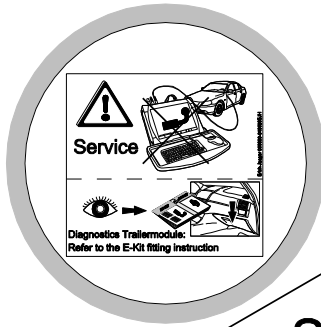
18

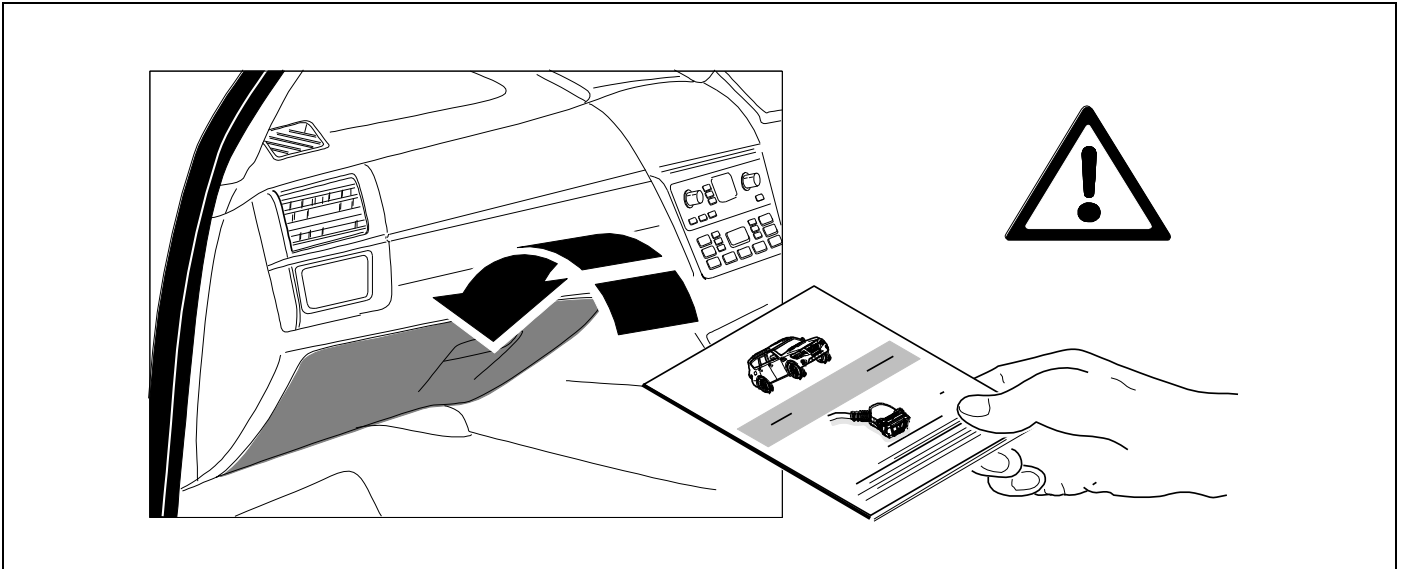
CHECK BULB OUT DETECTION





2x 11





Subject to change in terms of construction, equipment and colour, and may contain errors.
The information and illustrations are non-binding.

Scan this for our E-Kit Catalogue

