

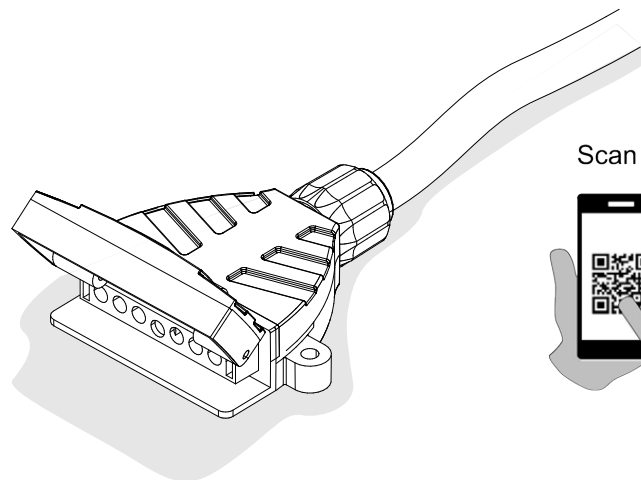
BMW X5 E70

03/07 >> 10/13

BMW X6 E71

05/08 >> 11/14

750054



Scan this for our full E-Kit catalogue



Installation instructions

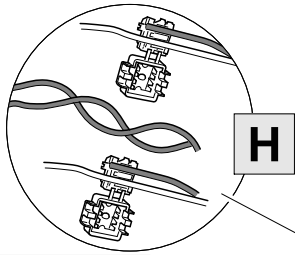
Reference:

The following information must be reviewed before beginning the assembly:

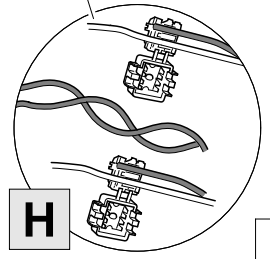
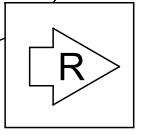
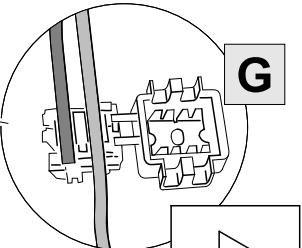
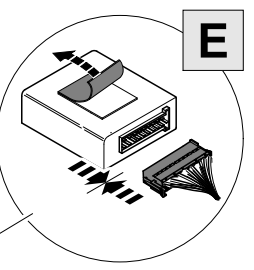
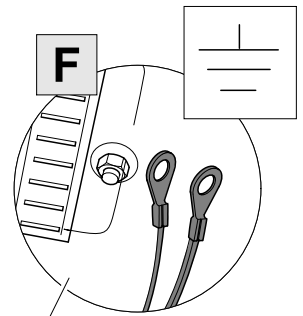
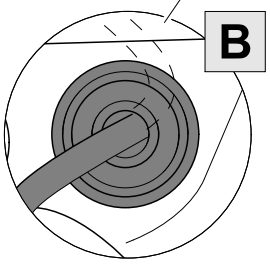
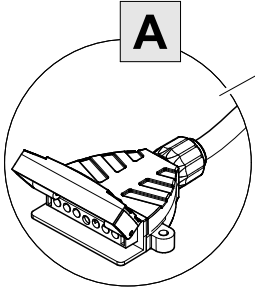
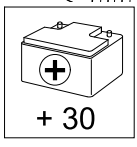
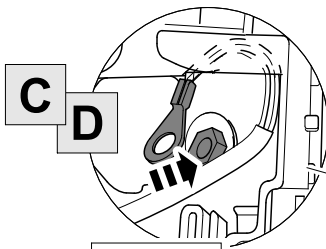
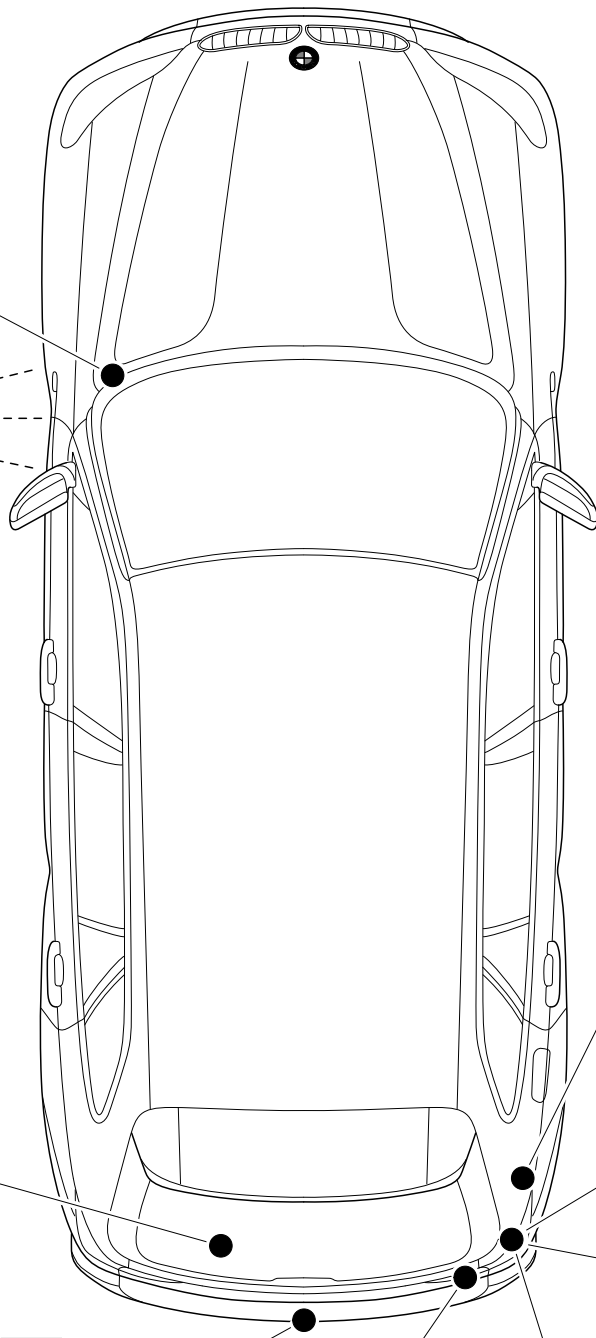
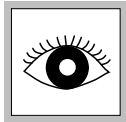


The installation instructions are to be thoroughly read.
The installation should be carried out by qualified personnel with the relevant technical knowledge.
The vehicle manufacturers' current technical notices and information on retrofitting must be followed.
The removal and replacement instructions found in the current repair manuals must be followed.
It must be ensured that the vehicle is technically suitable for the installation of a trailer hitch.

OPTION 2



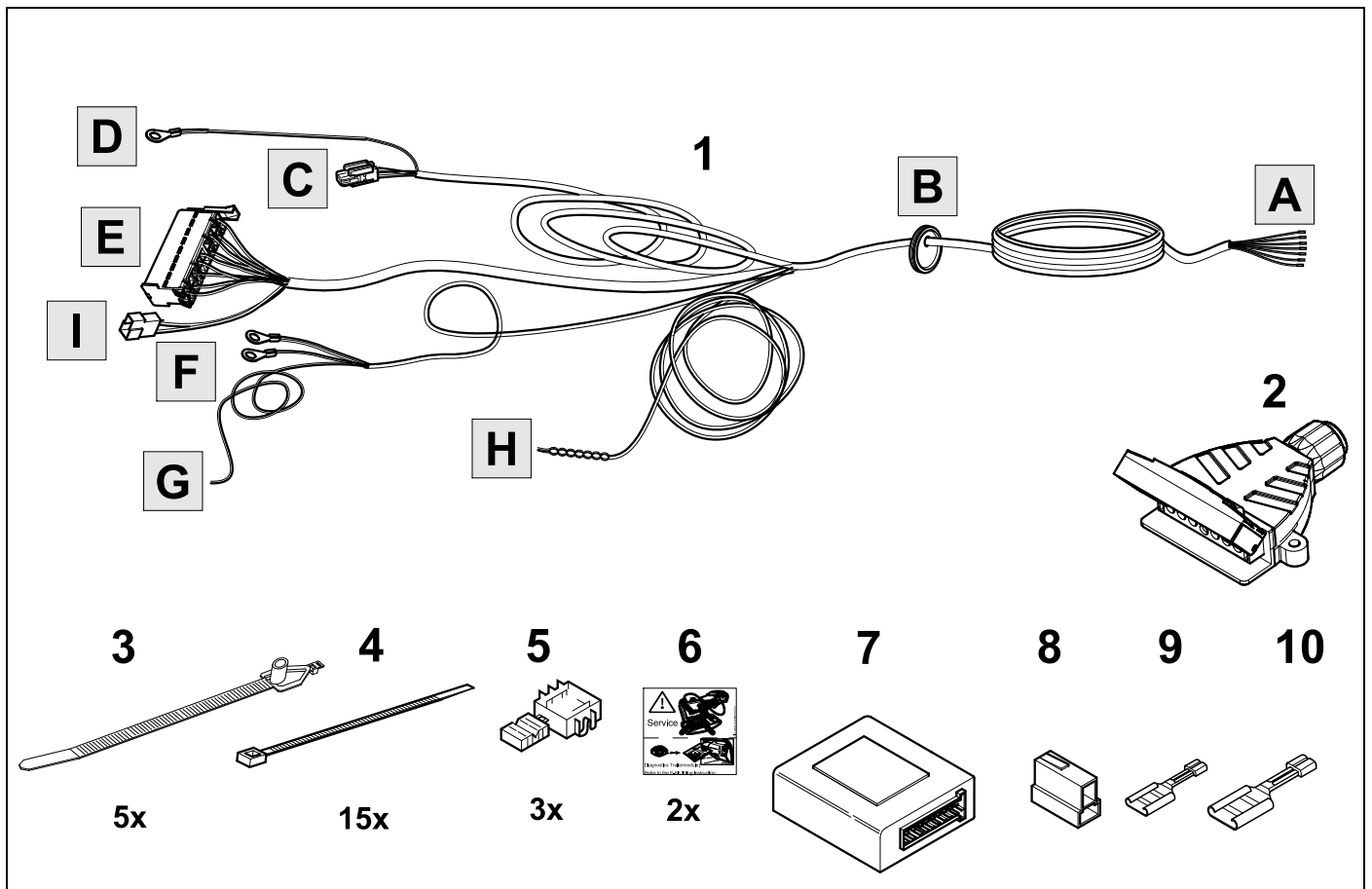
CAN-Wire



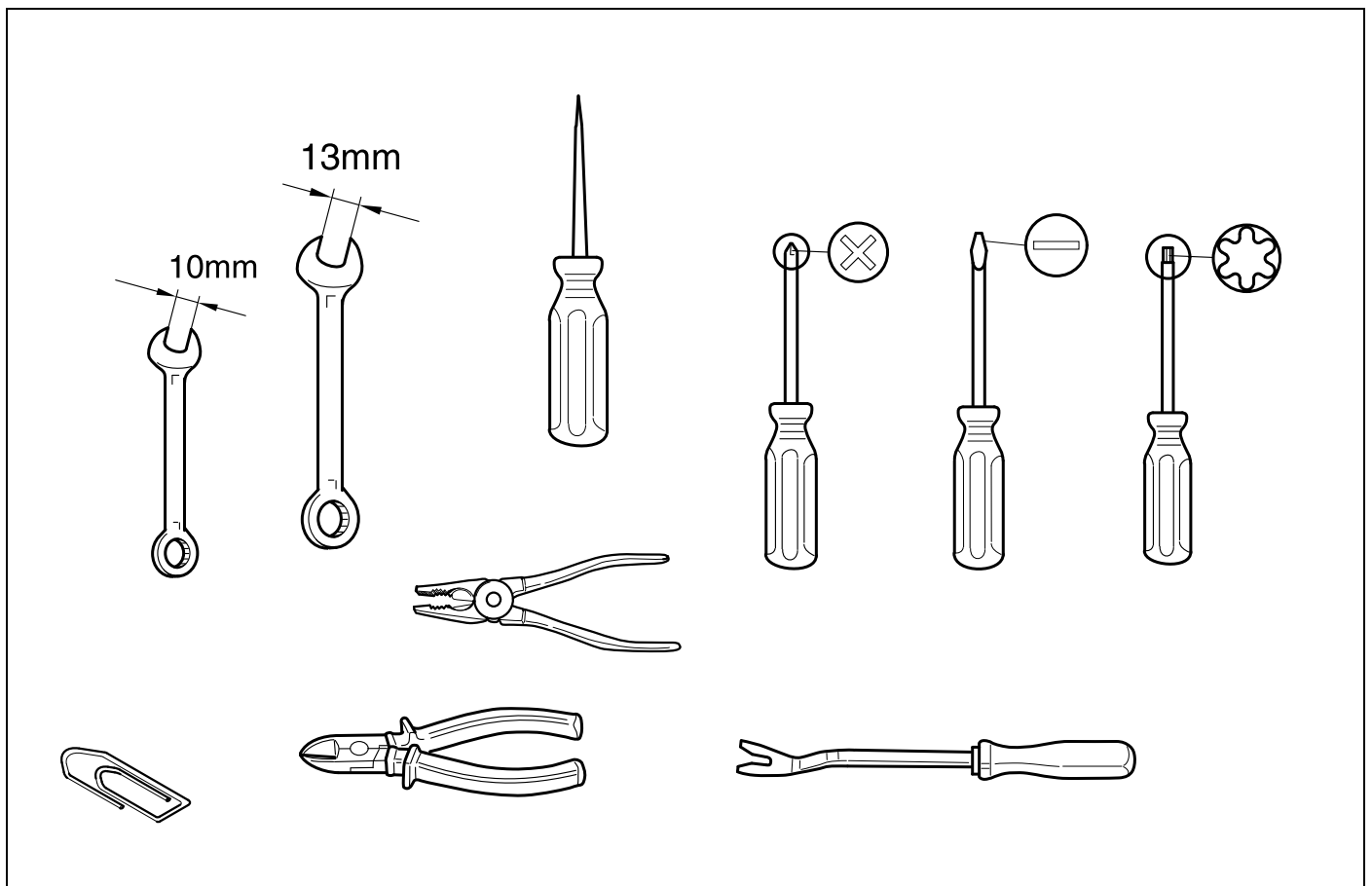
OPTION 1

CAN-Wire

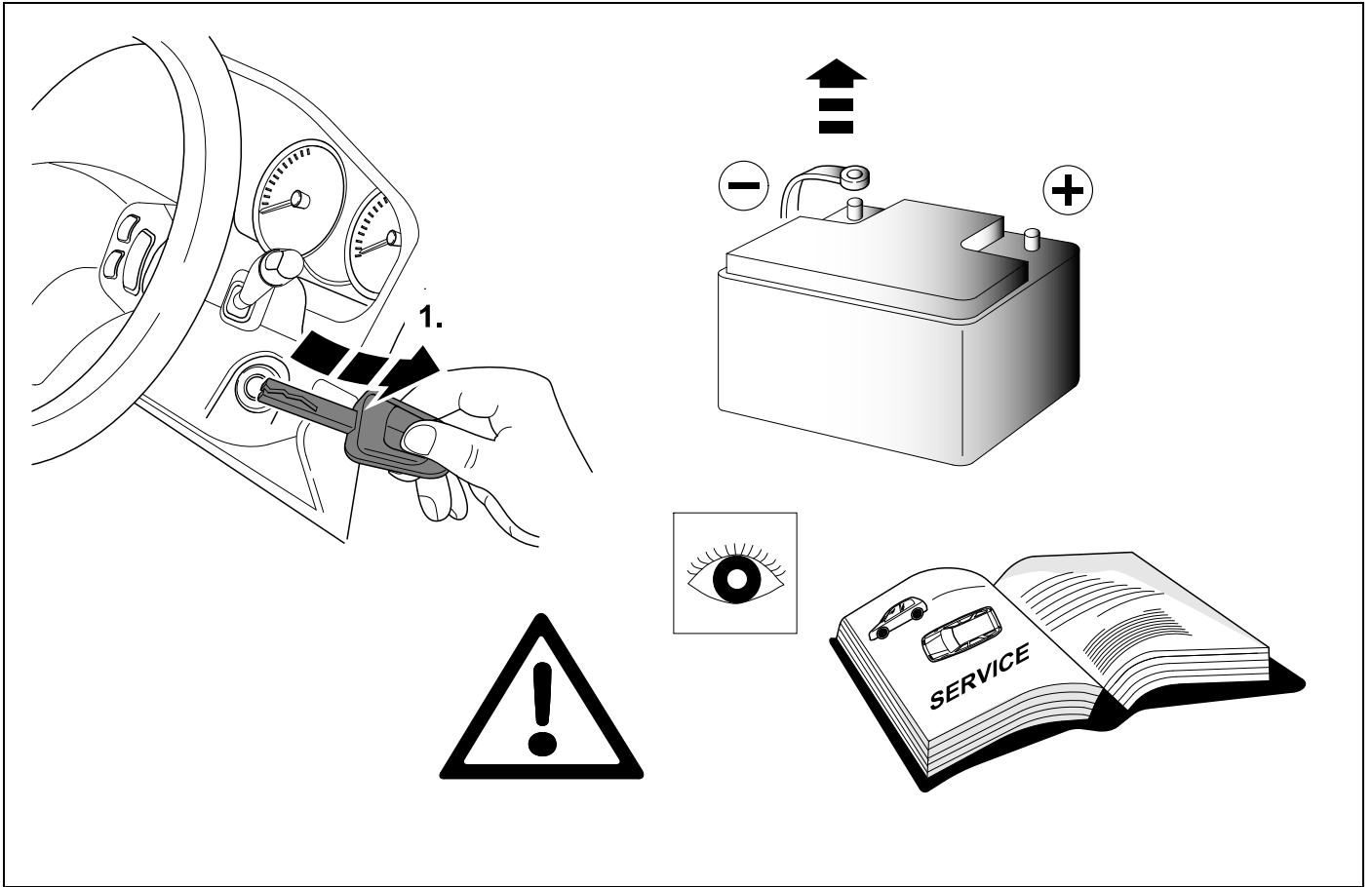
KIT

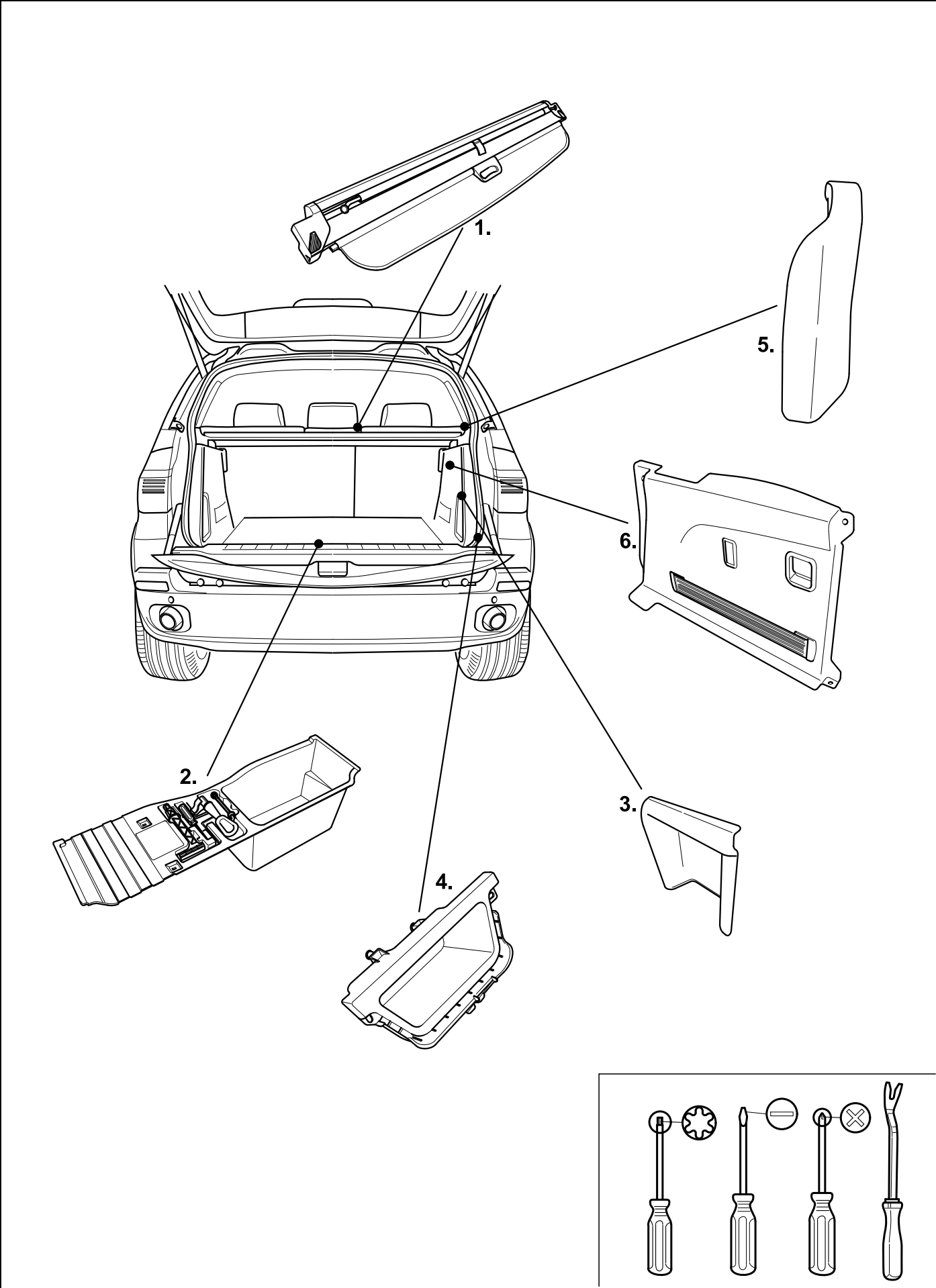


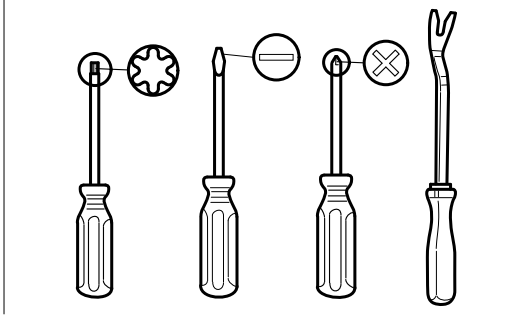
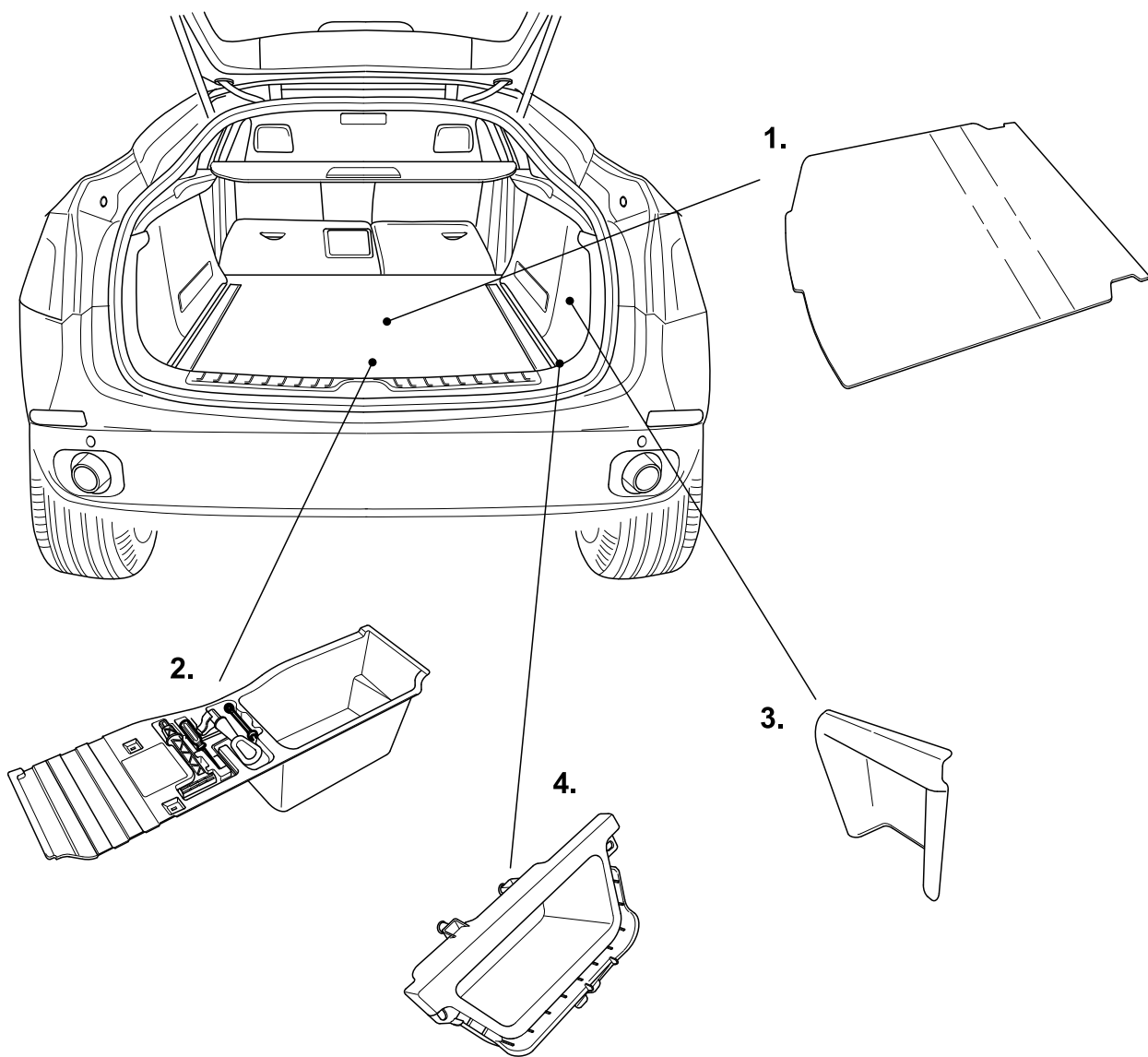
TOOLS



1

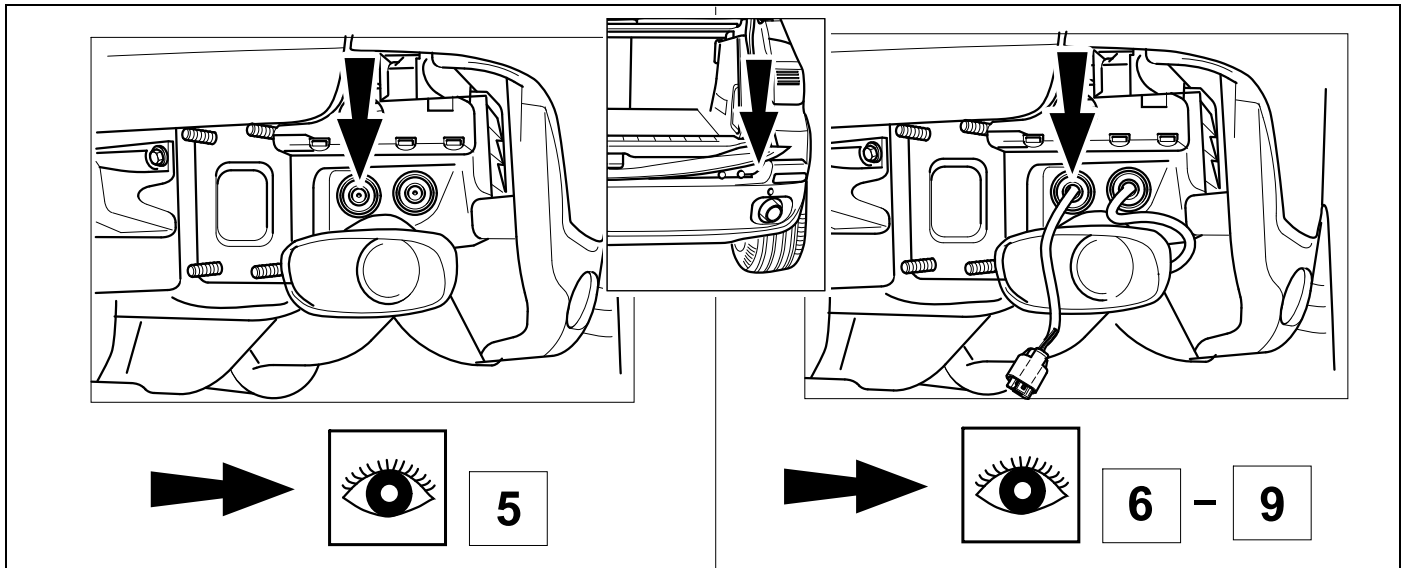






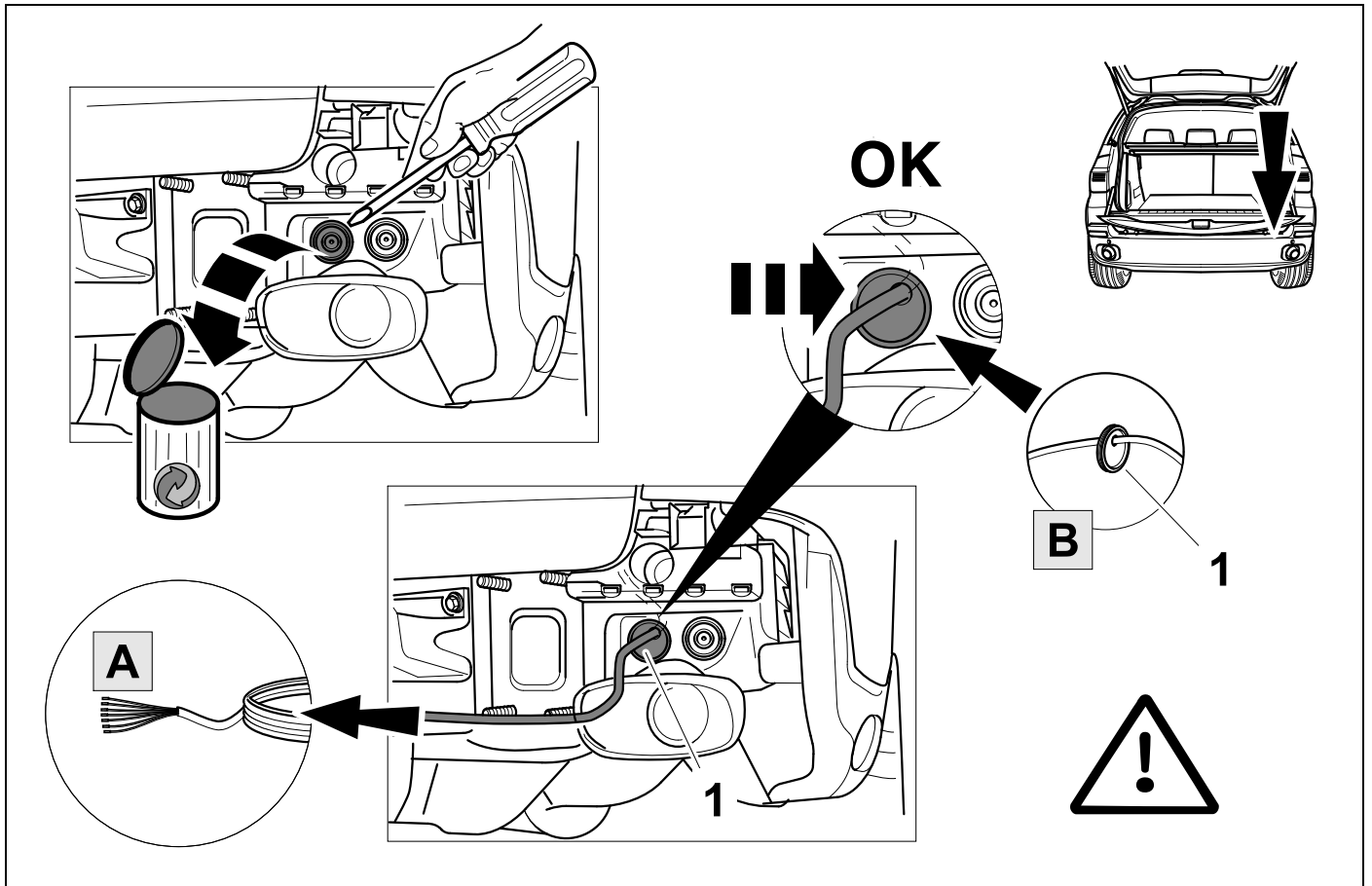
4

X5 / X6



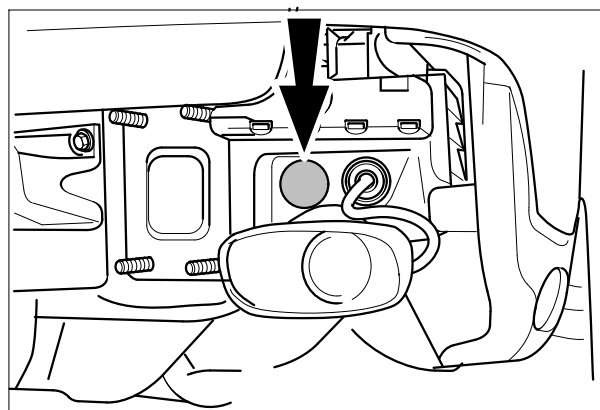
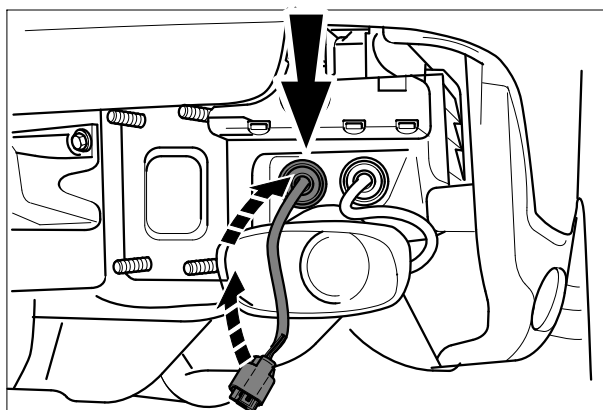
5

X5 / X6



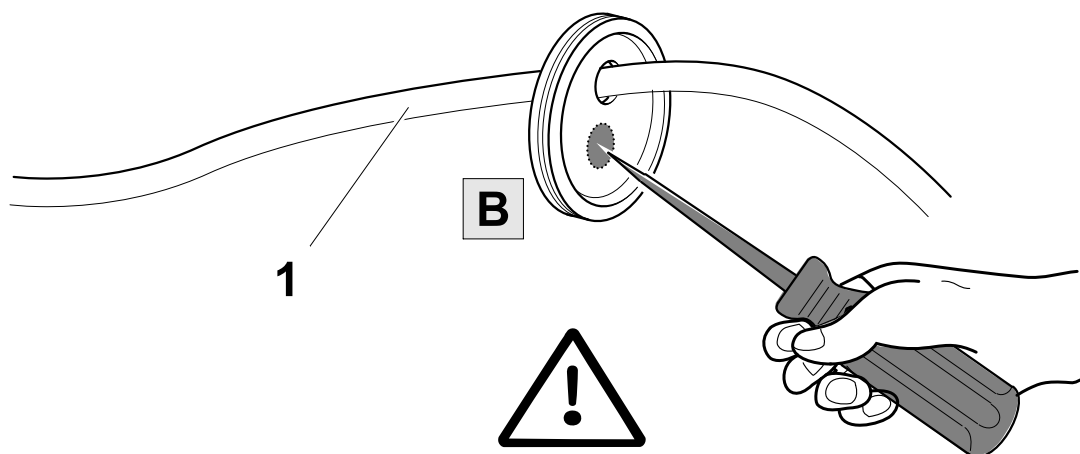
6

X5 / X6



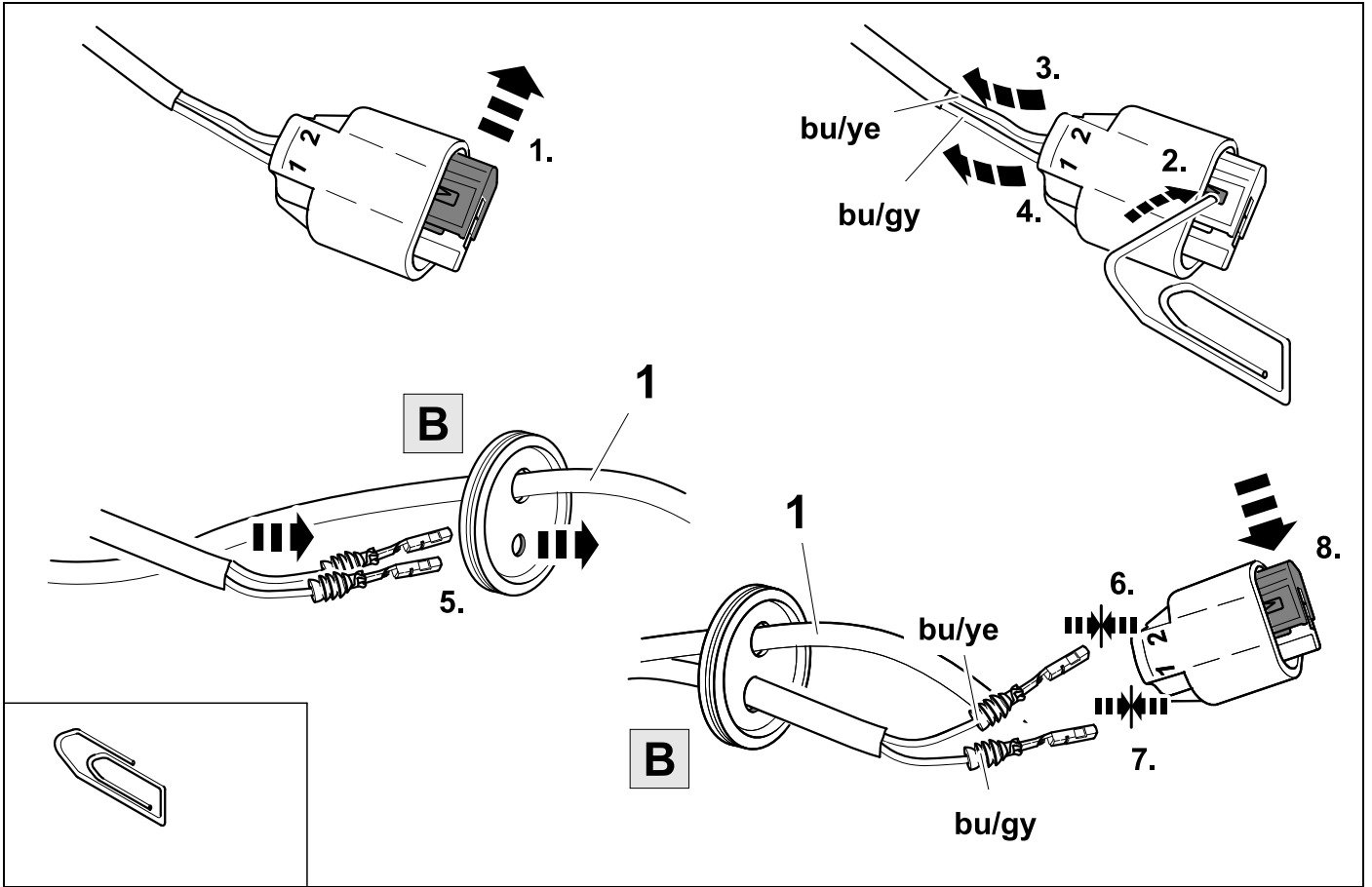
7

X5 / X6



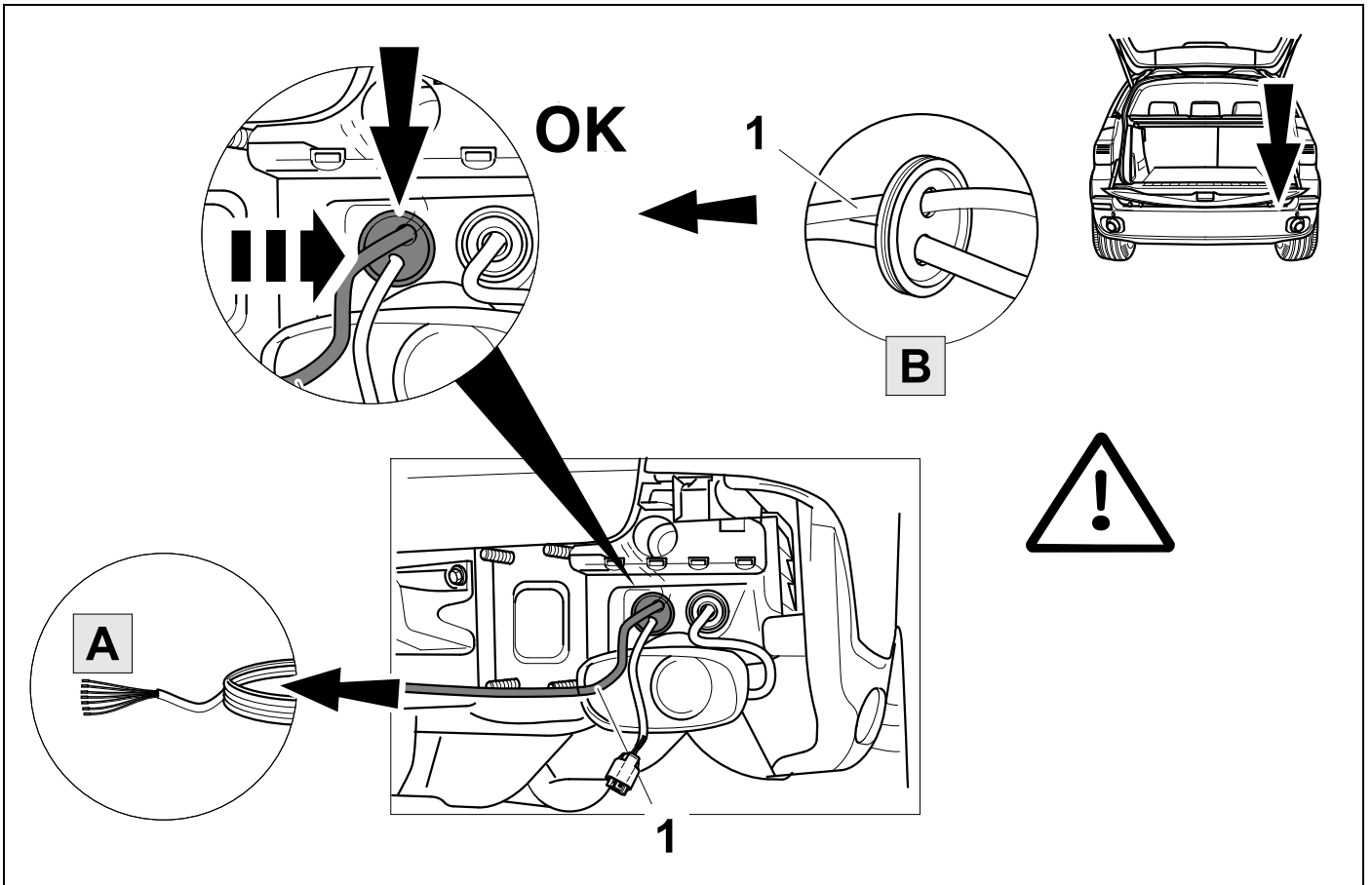
8

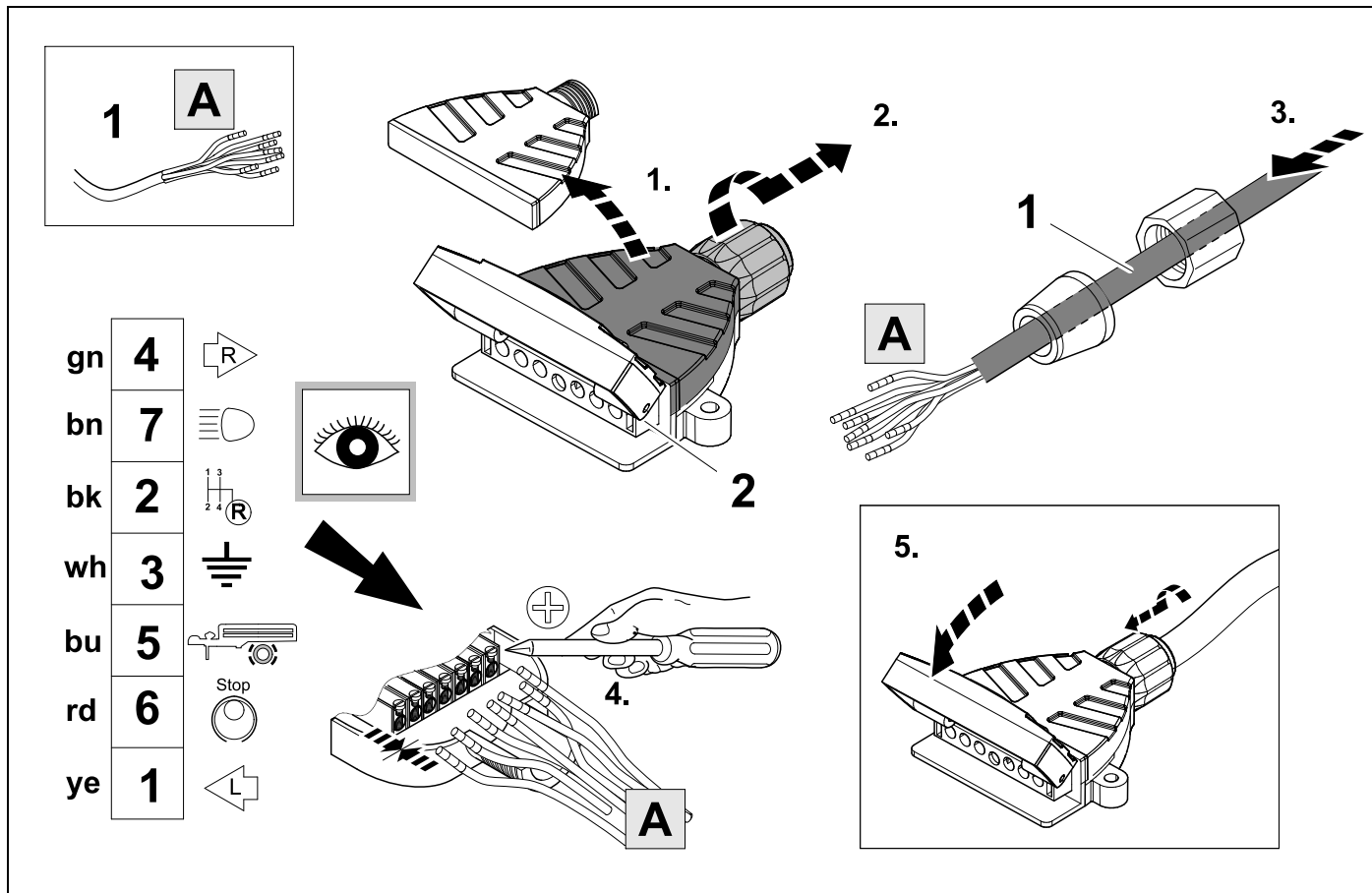
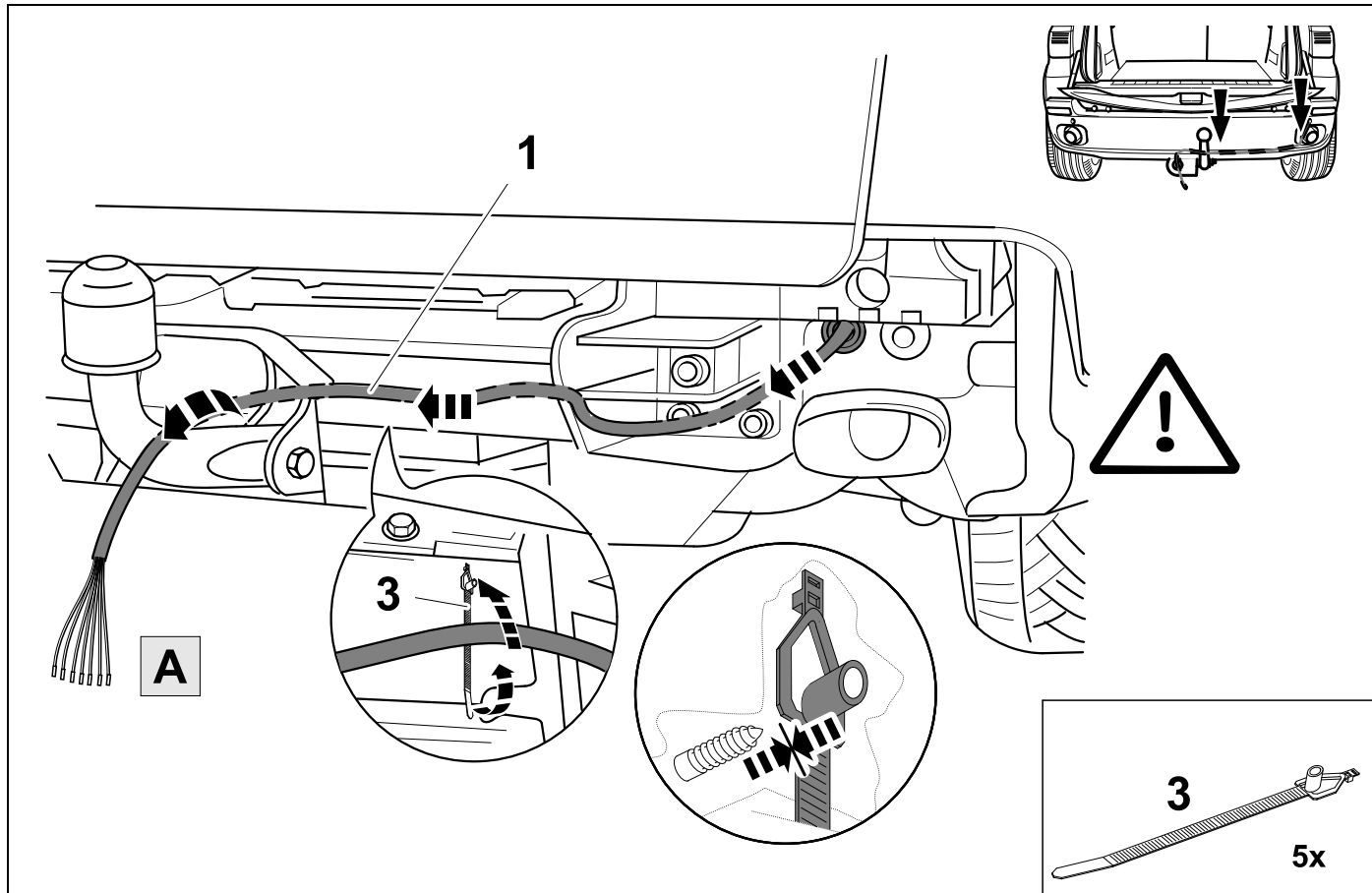
X5 / X6



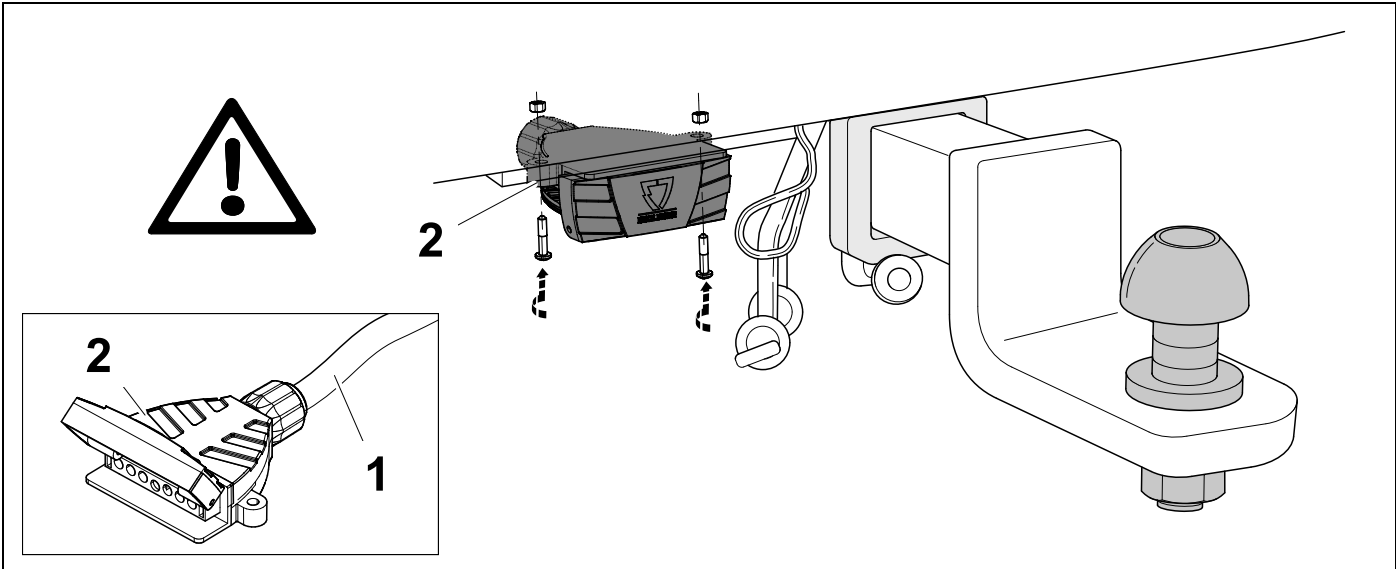
9

X5 / X6





12



13



14

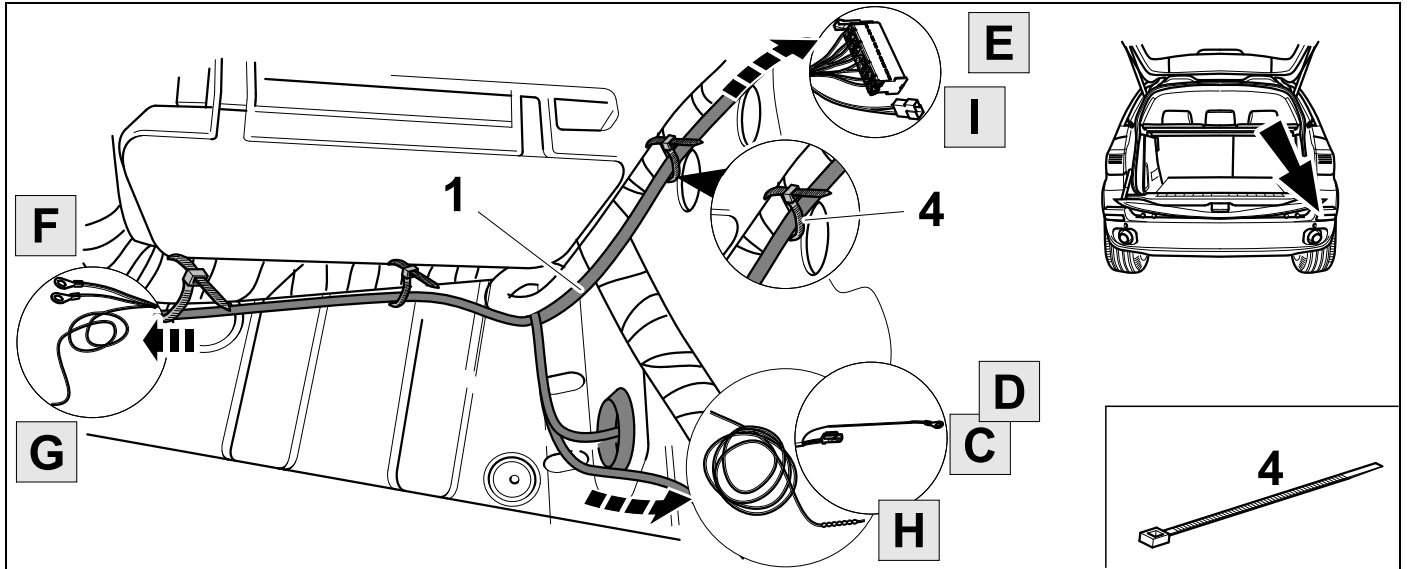
1	ye	←
2	bk	1 3 2 4 (R)
3	wh	⏏
4	gn	→
5	bu	⚙
6	rd	Stop ⦿
7	bn	☹

14	bk	wh	gy	gn	rd	bu	ye	bn	pu	or	no
----	----	----	----	----	----	----	----	----	----	----	----

(GB)	black	white	grey	green	red	blue	yellow	brown	purple	orange	not occupied
------	-------	-------	------	-------	-----	------	--------	-------	--------	--------	--------------

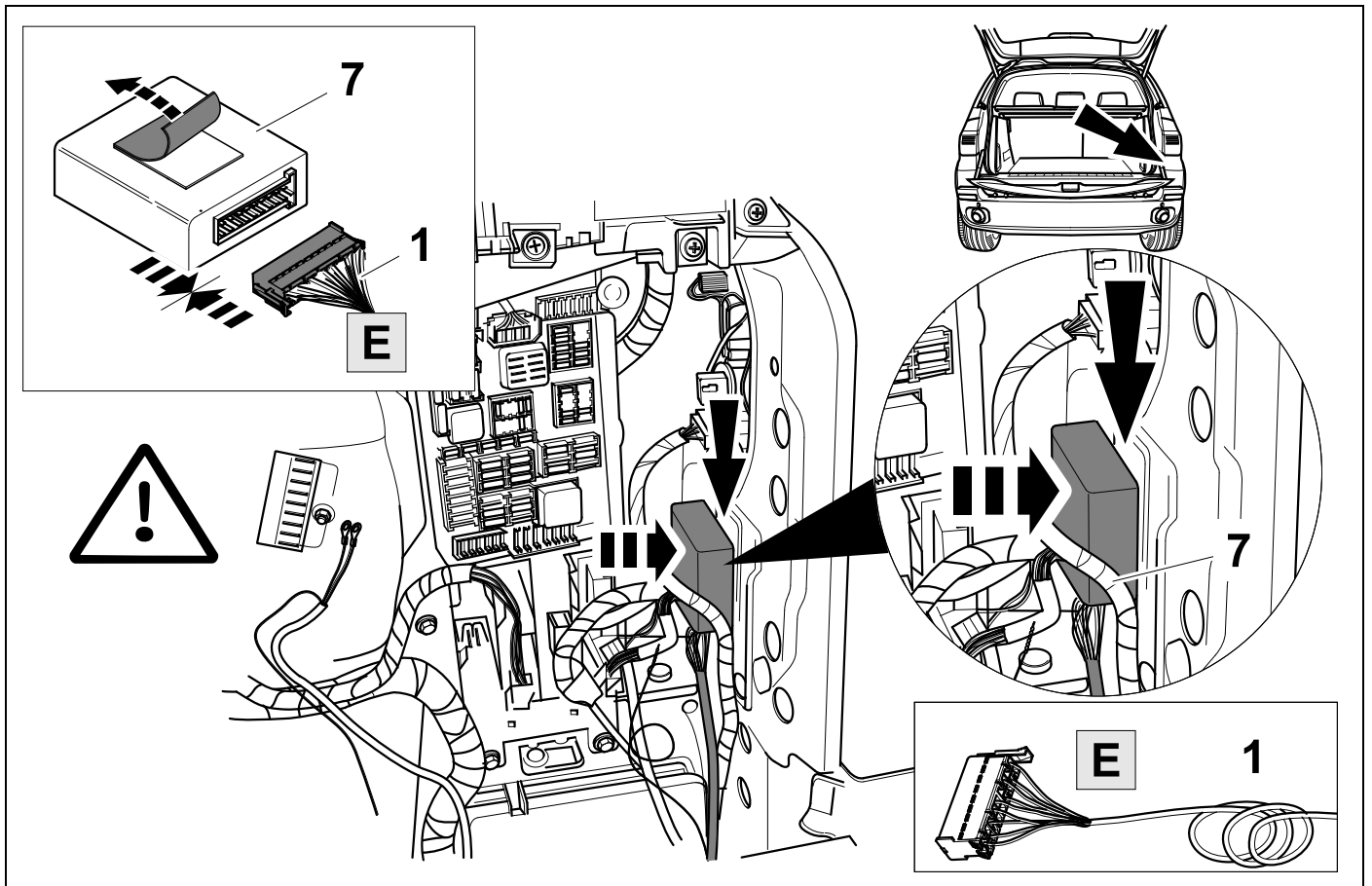
15

X5 / X6



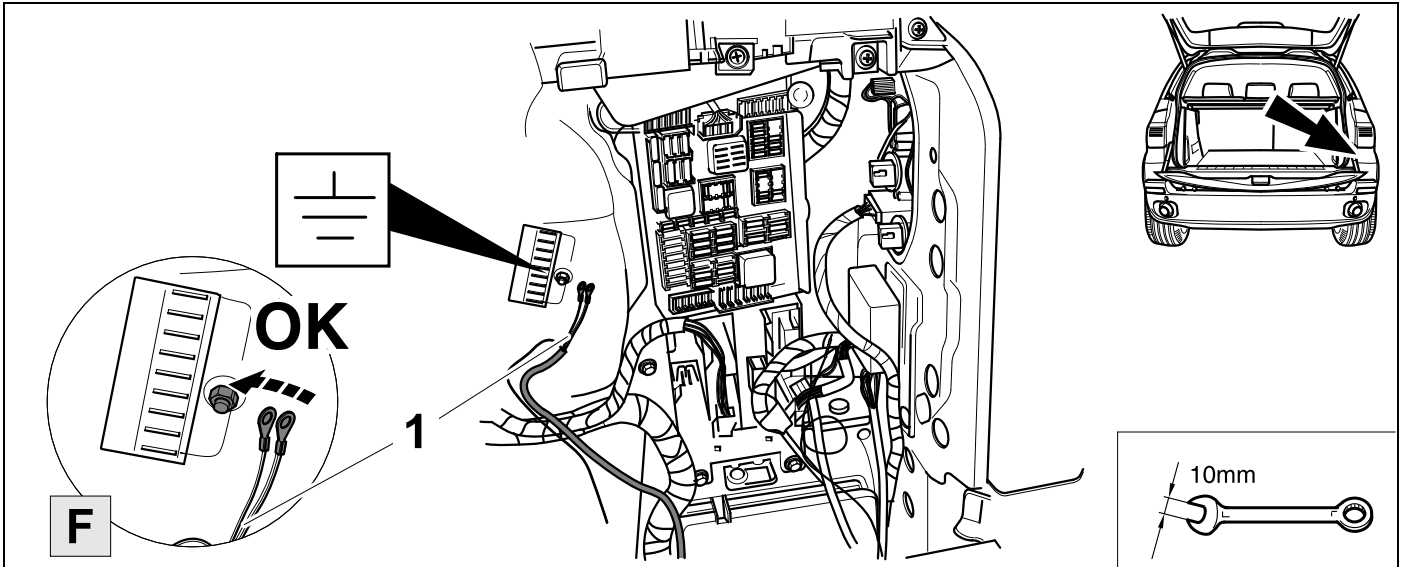
16

X5 / X6



17

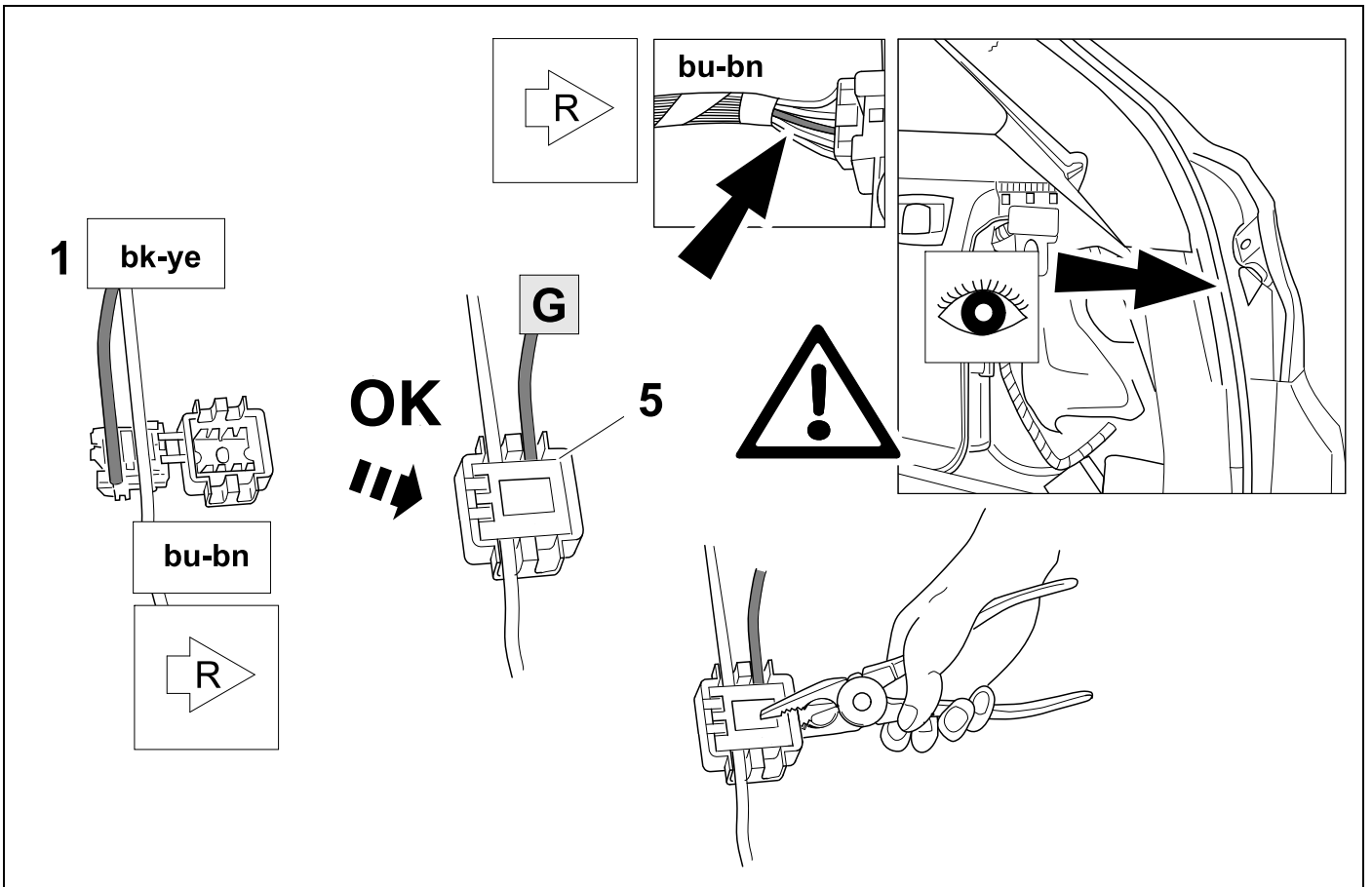
X5 / X6



18

👁️ ⇒ 14

X5 / X6

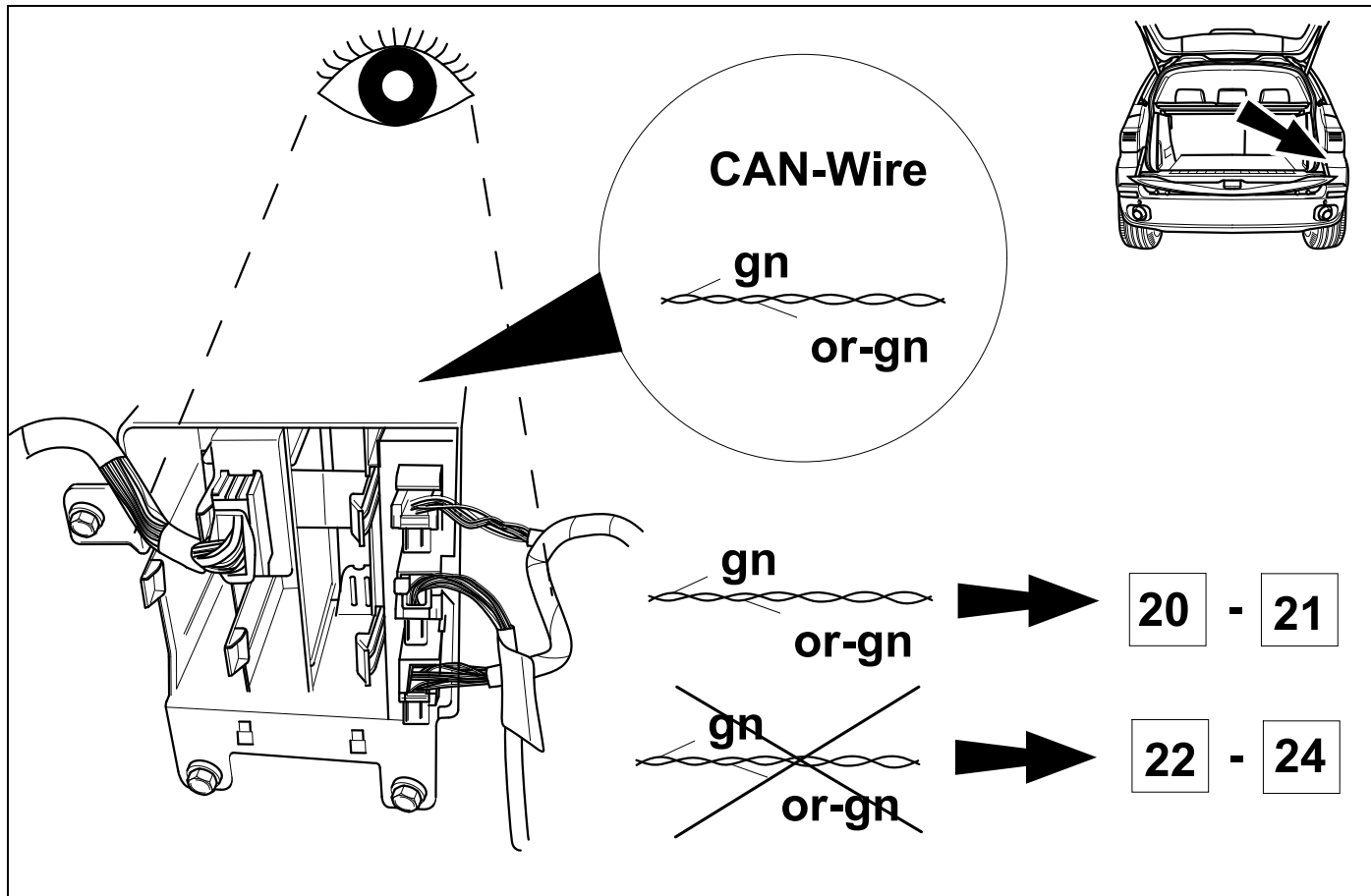


19



14

X5 / X6

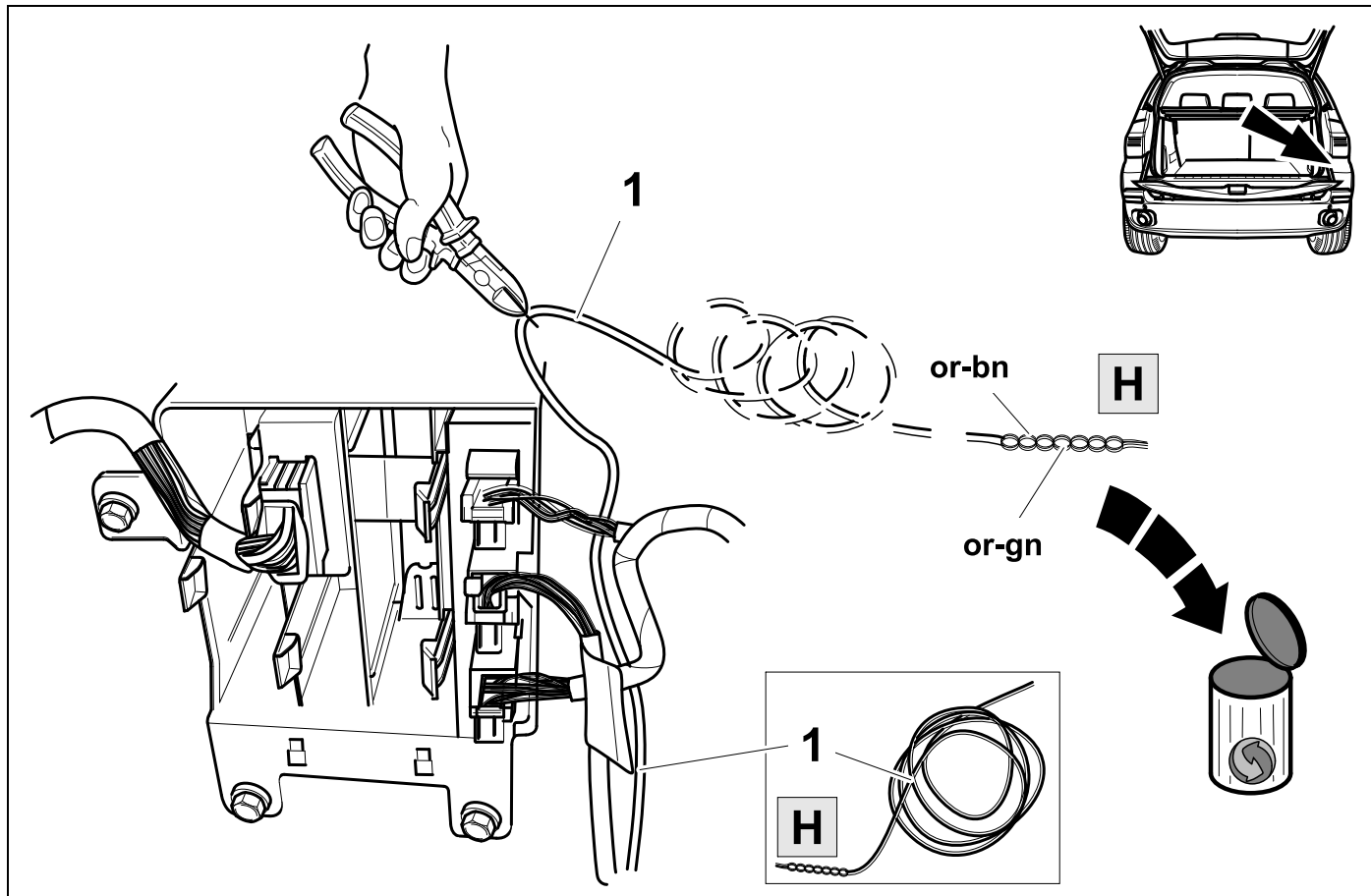


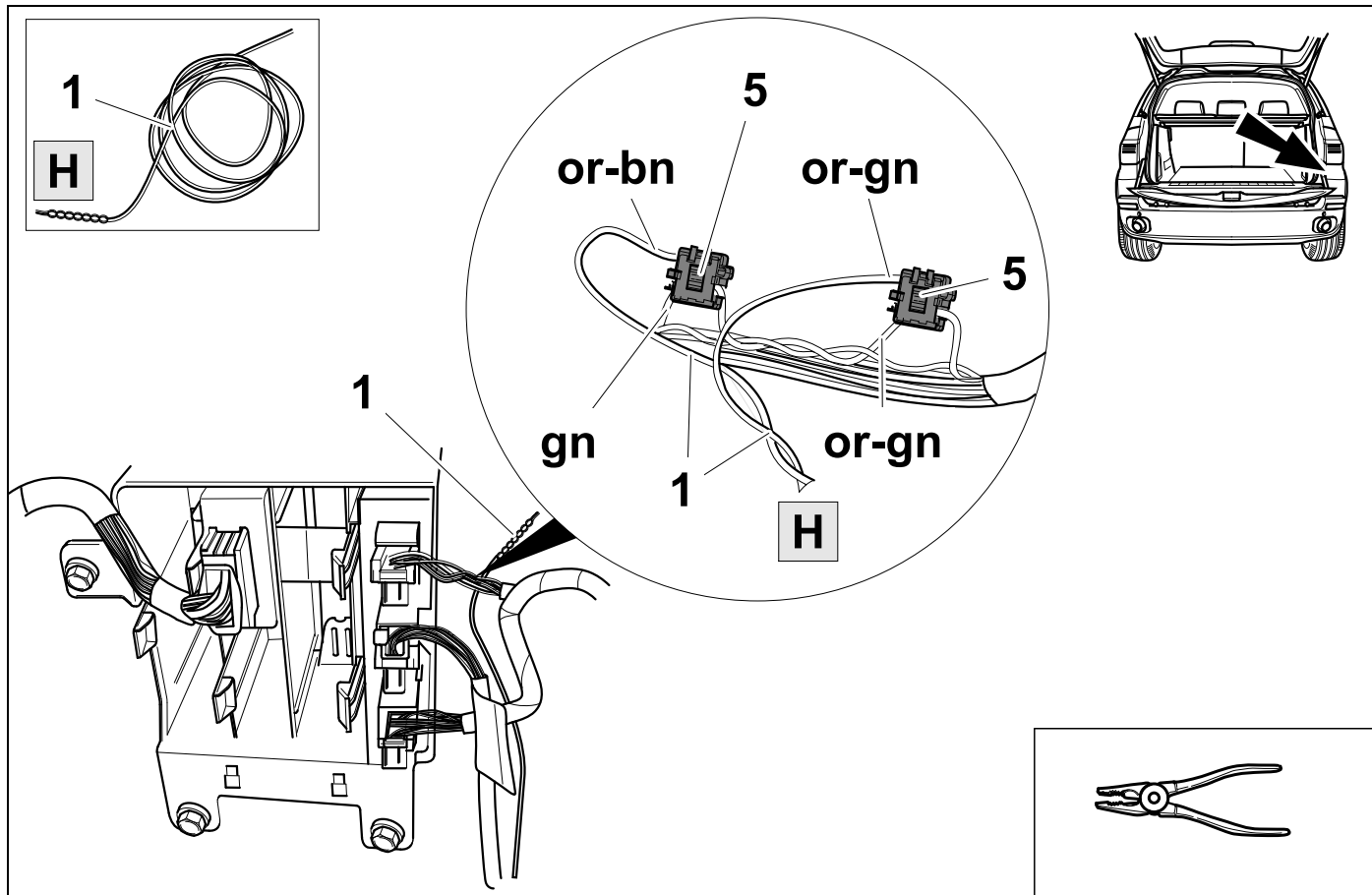
20

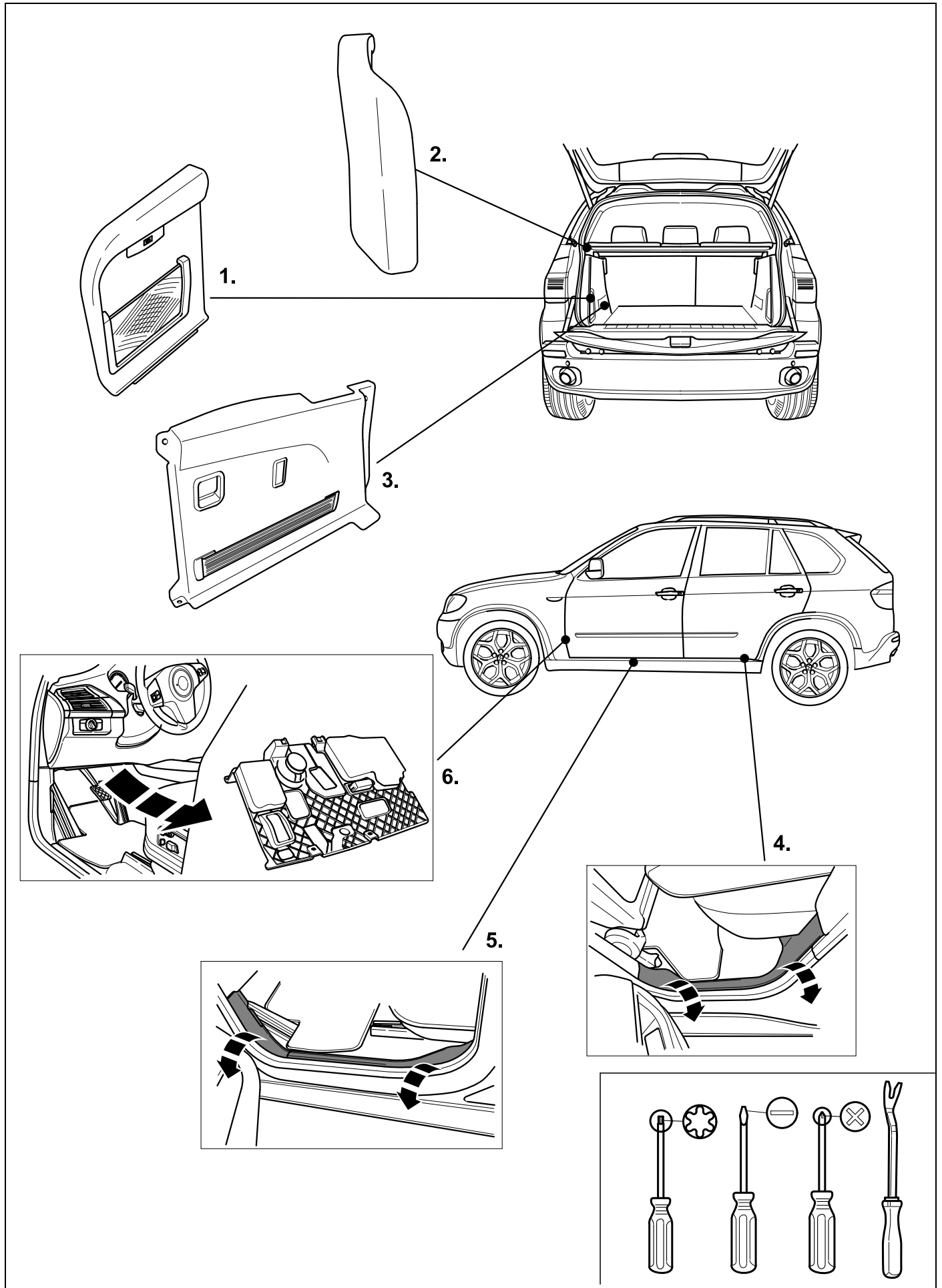


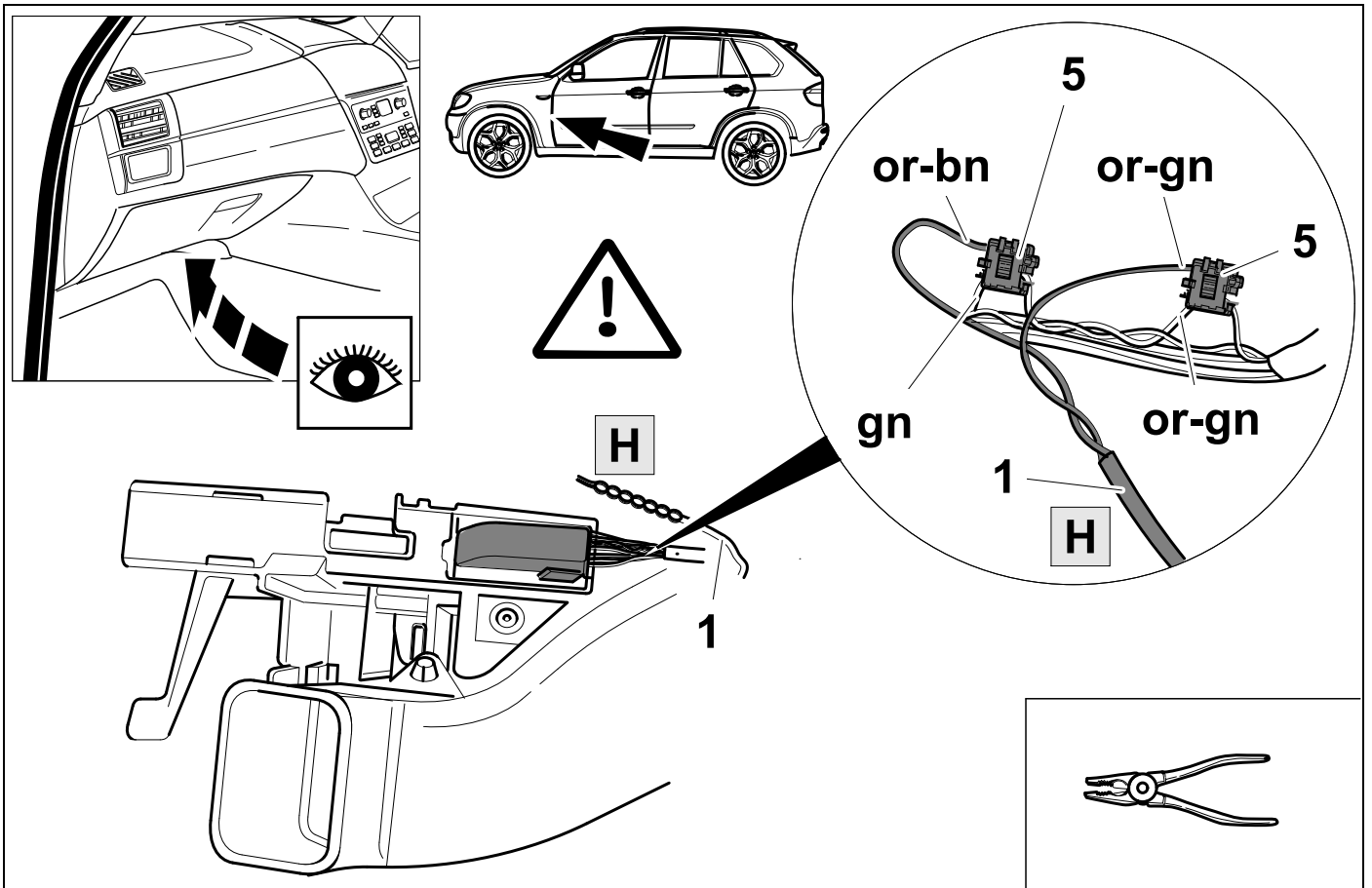
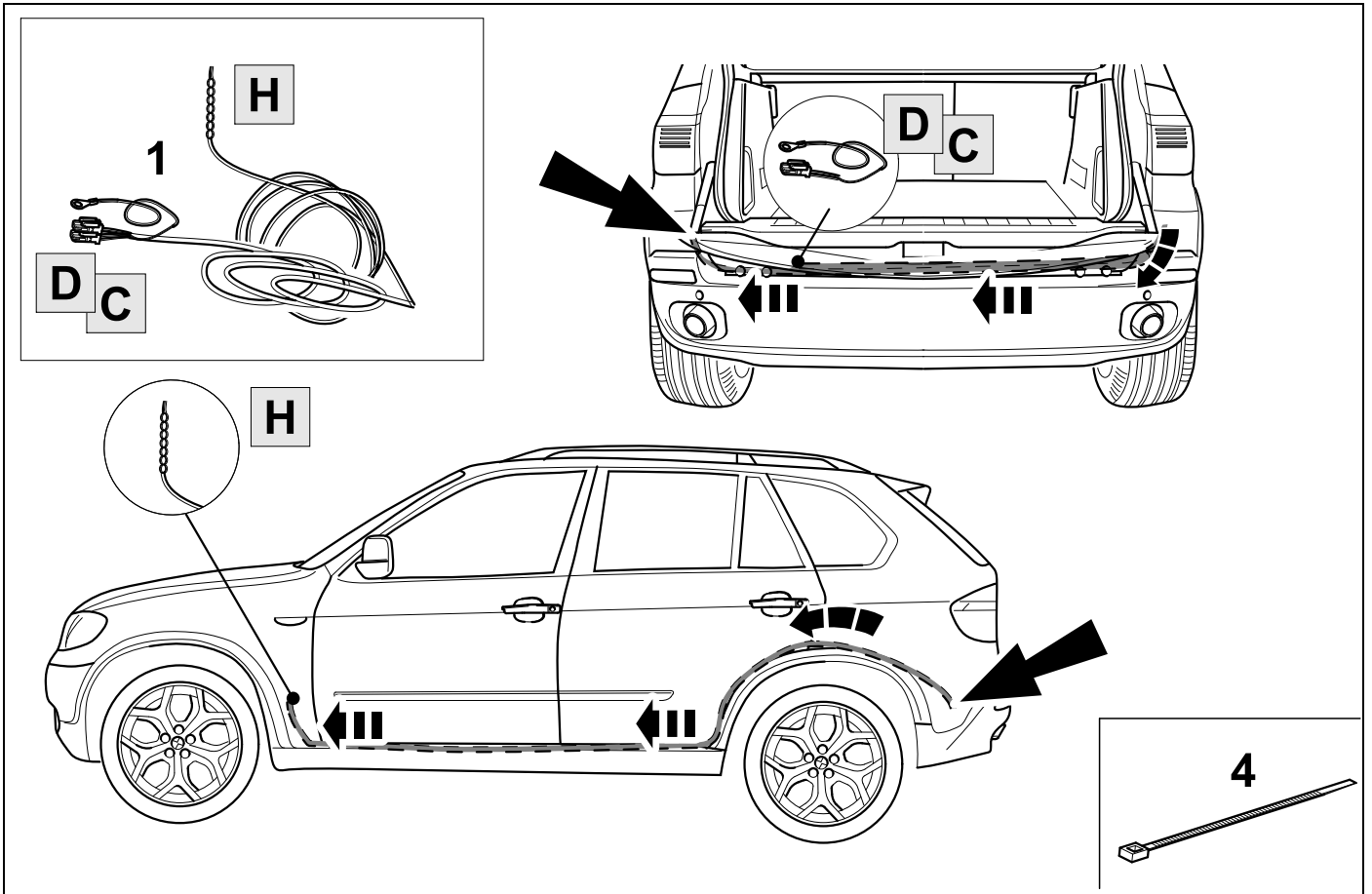
14

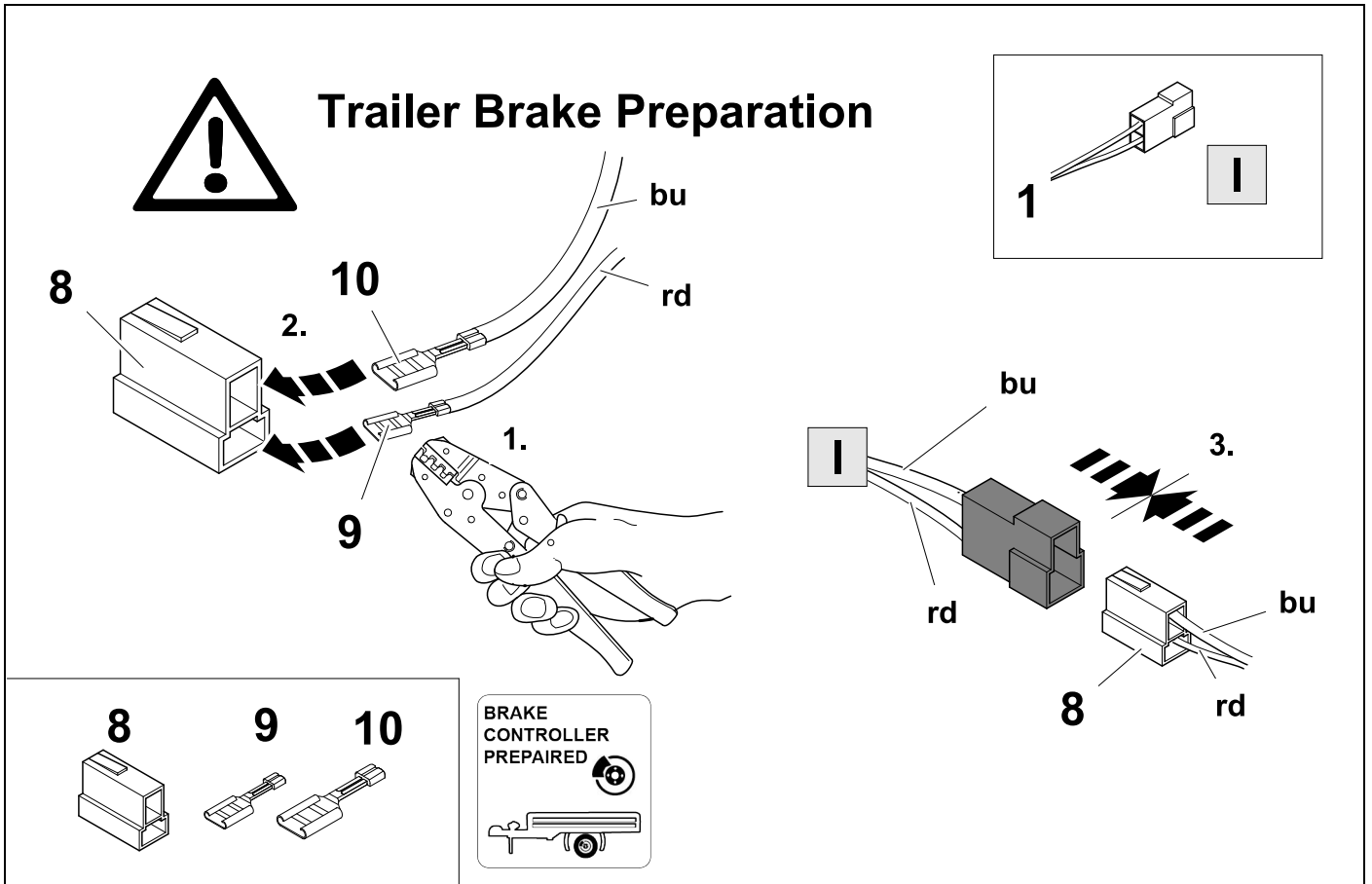
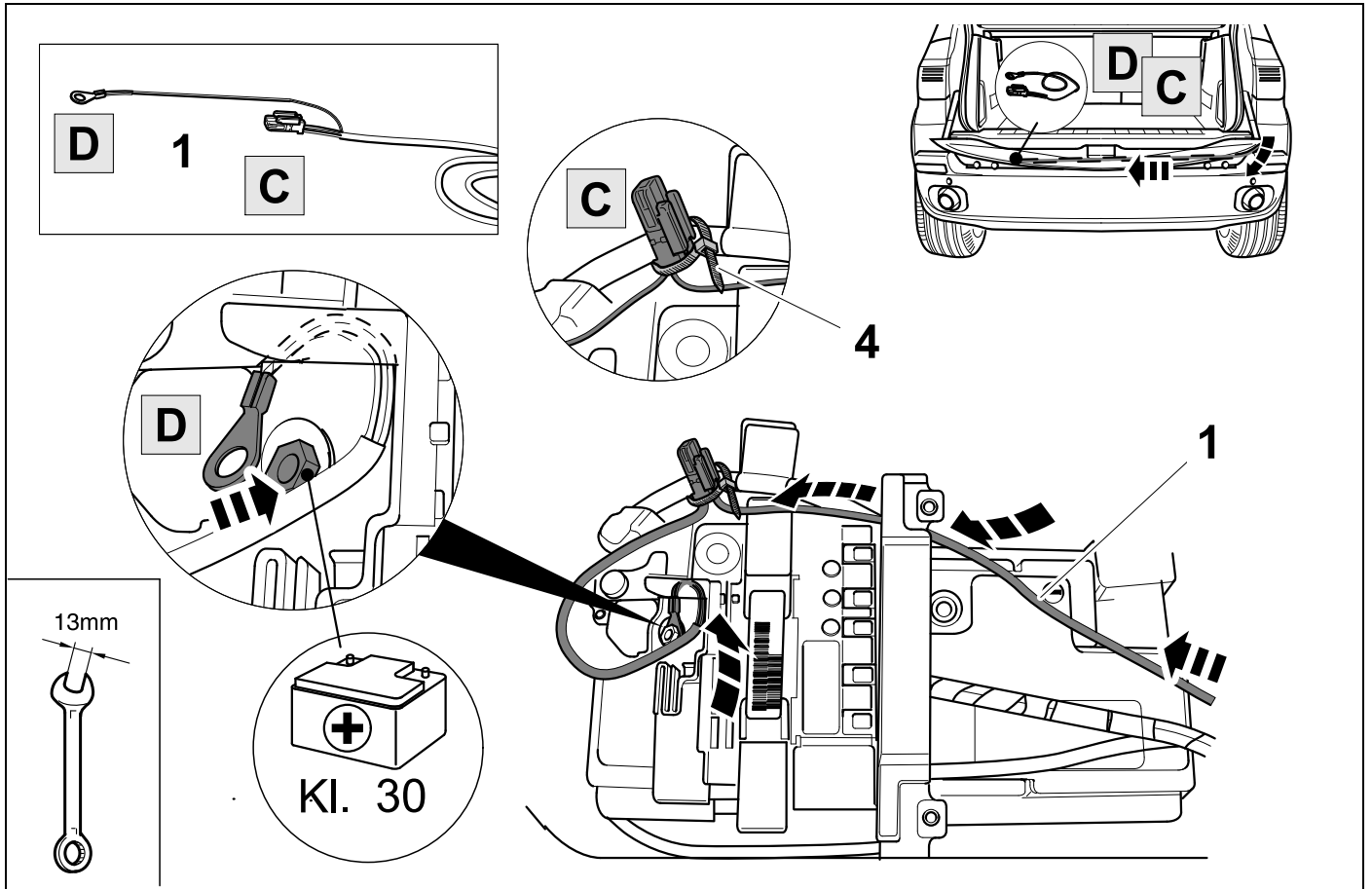
X5 / X6



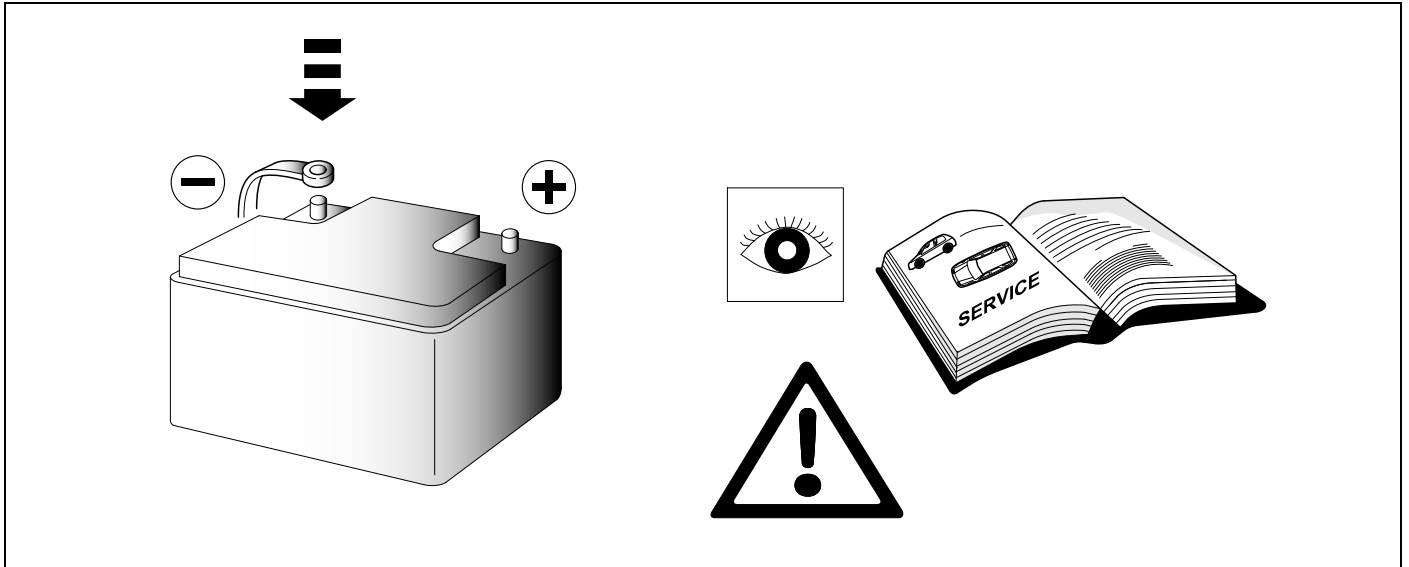




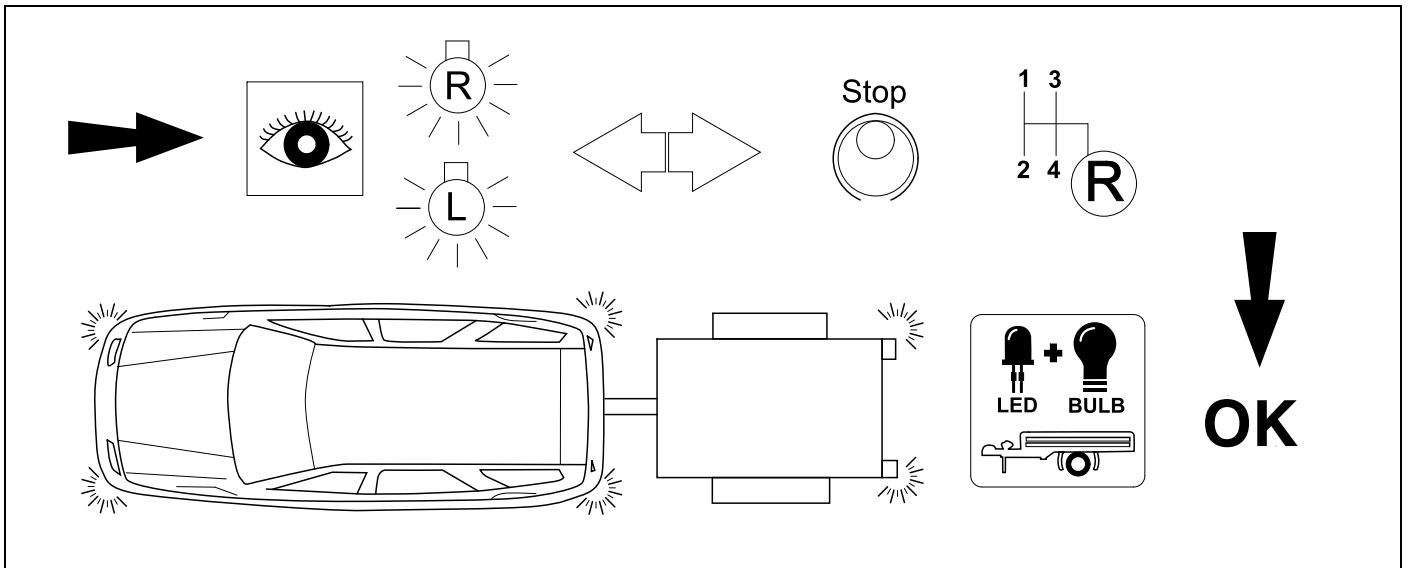




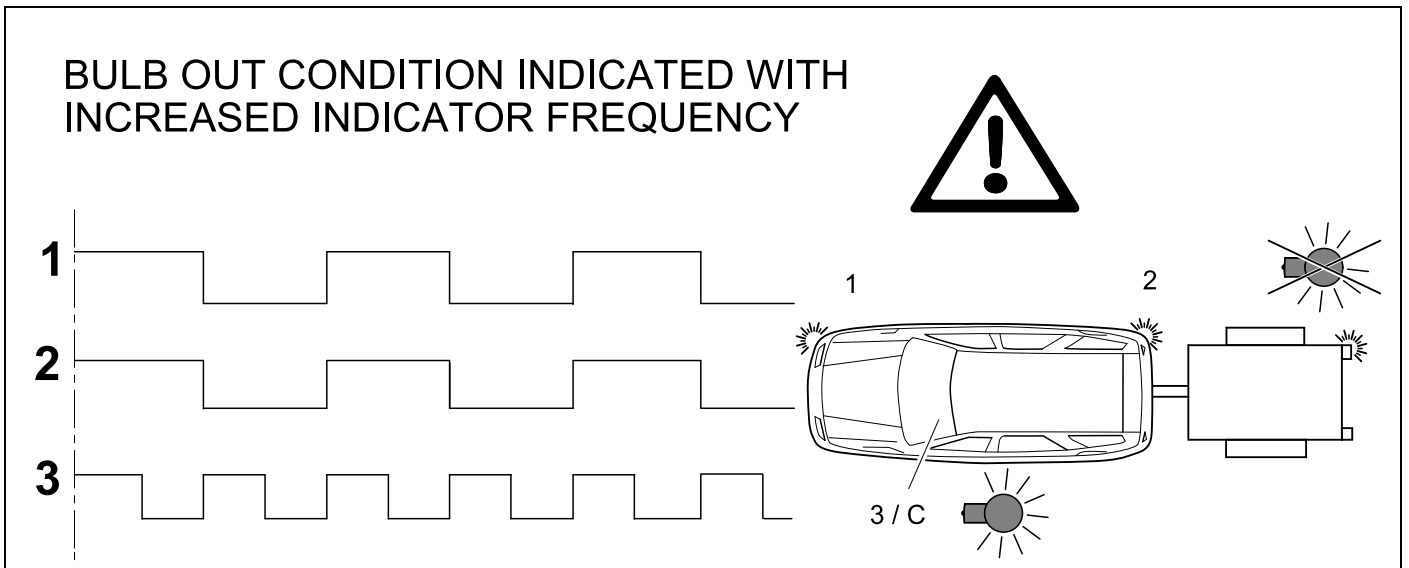
27

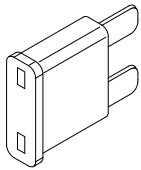


28 CHECK

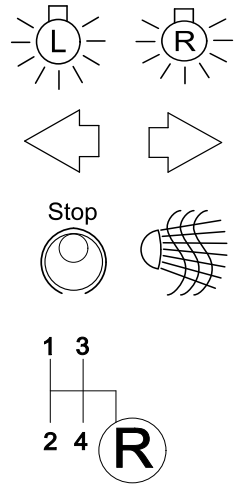
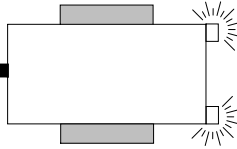


29 CHECK



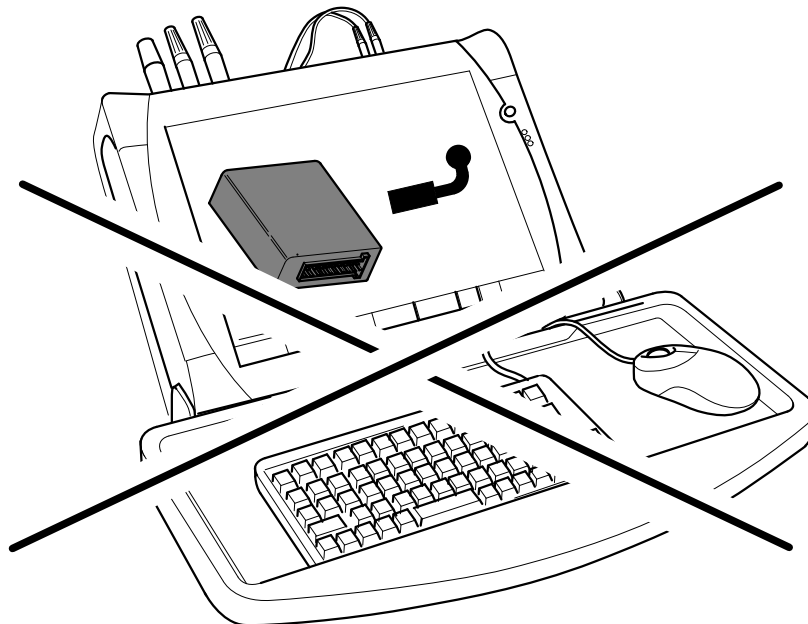


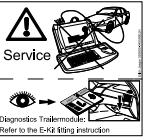
20 A



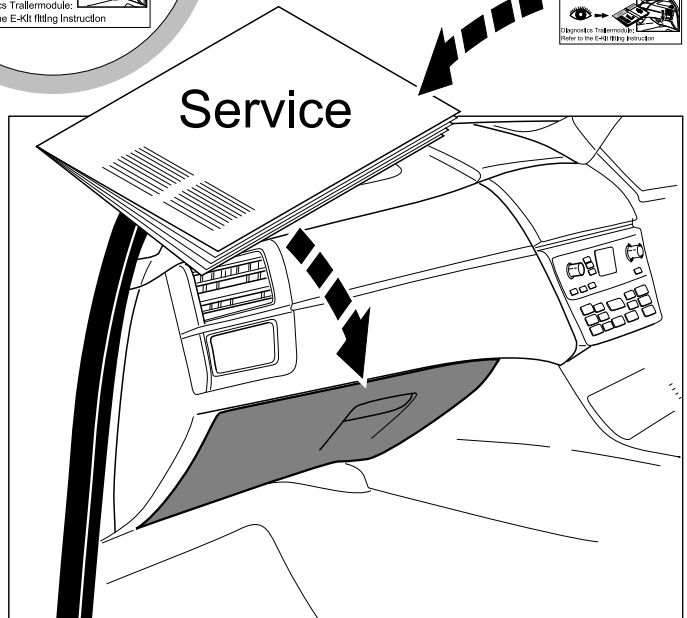
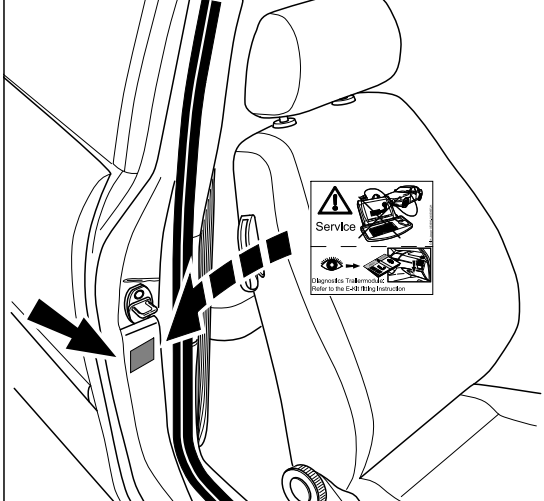
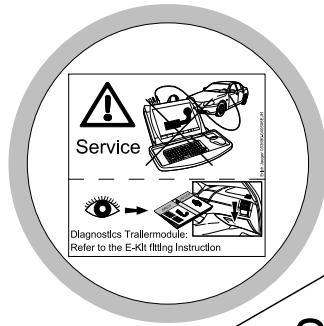
ISTA/P

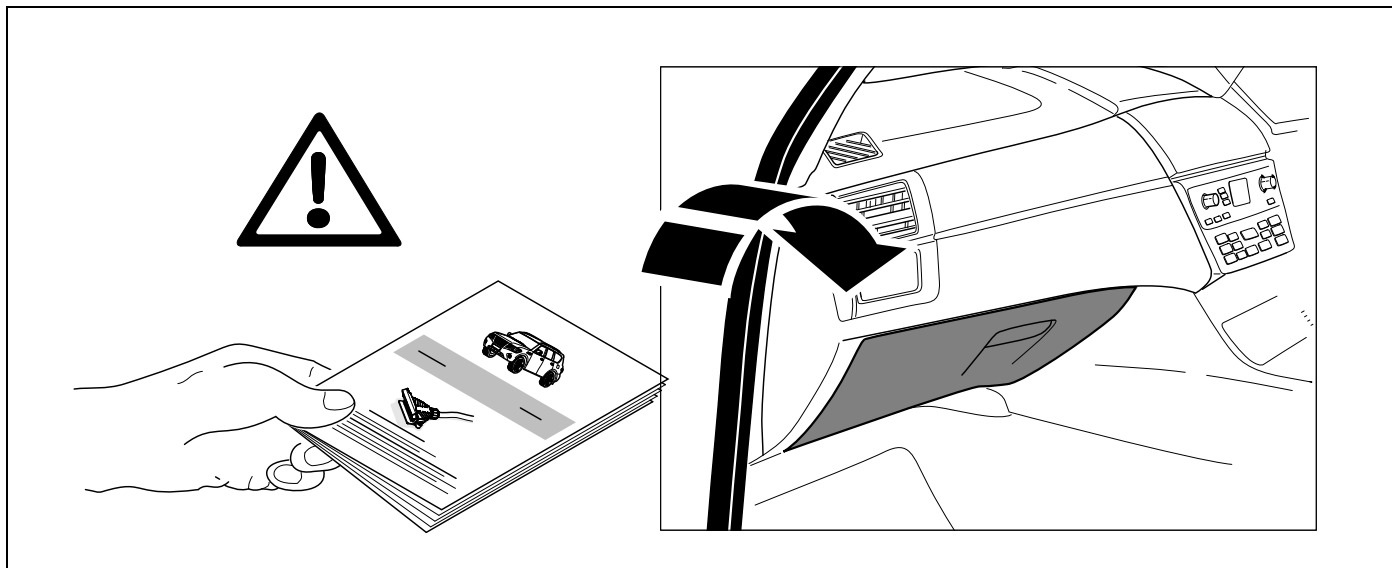
Do not initialize the trailer module





2x 6





Subject to change in terms of construction, equipment and colour, and may contain errors.
The information and illustrations are non-binding.

Scan this for our full E-Kit catalogue

