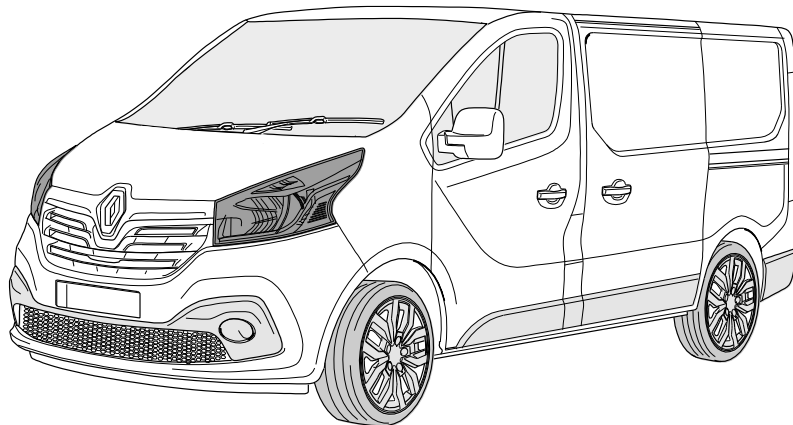




ERICH JAEGER

Installation instructions



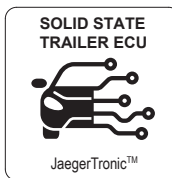
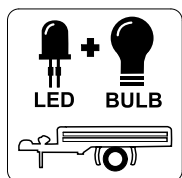
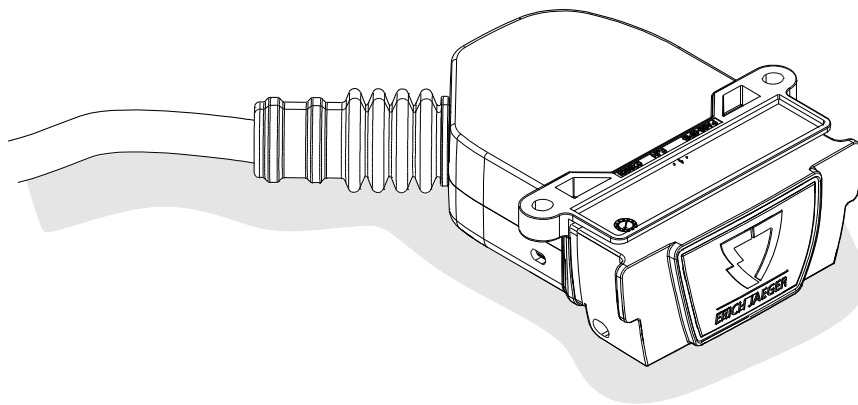
750056

RENAULT Trafic

09/14 >>



SCAN FOR
LATEST
INSTRUCTIONS

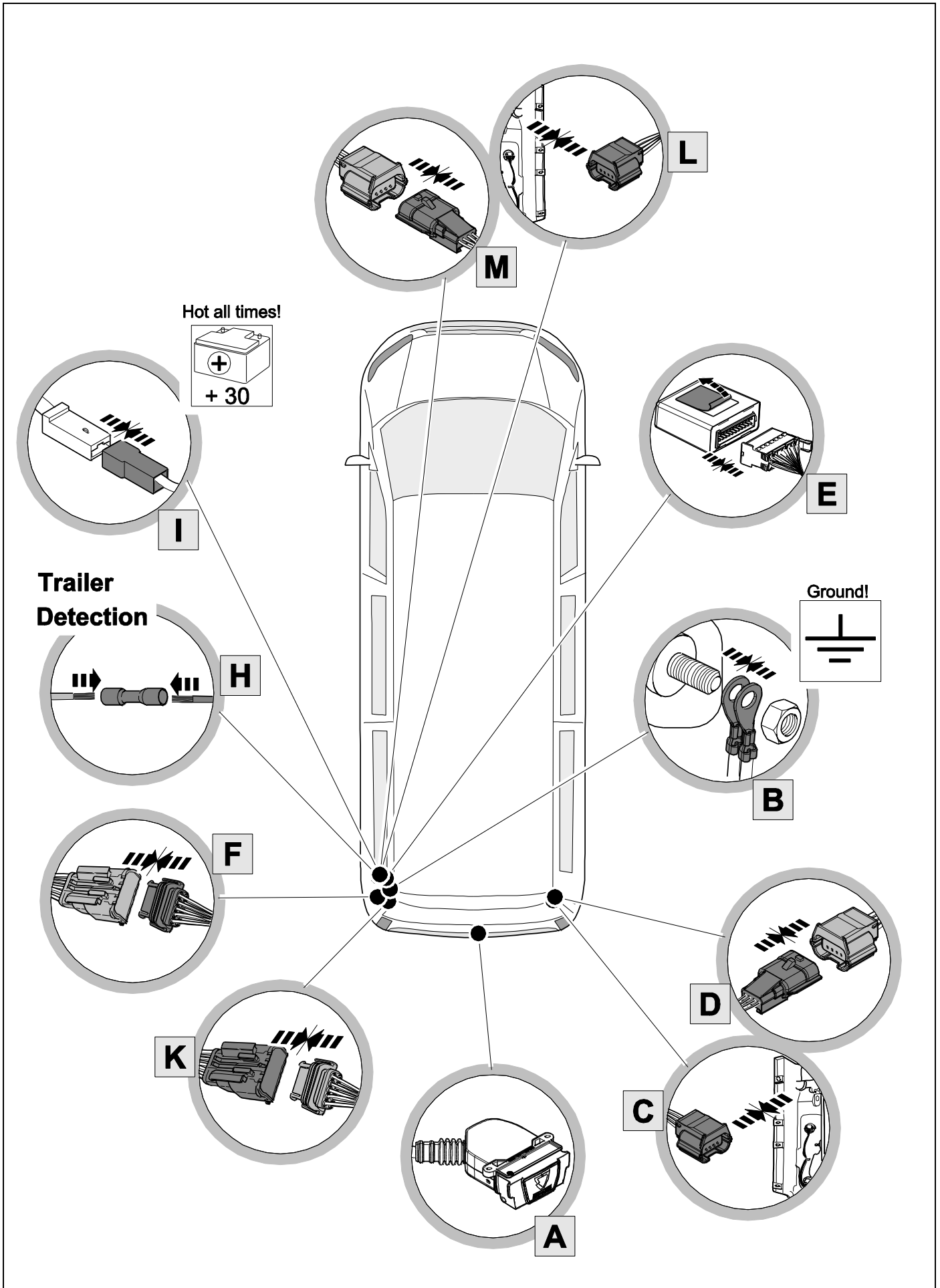


Reference:

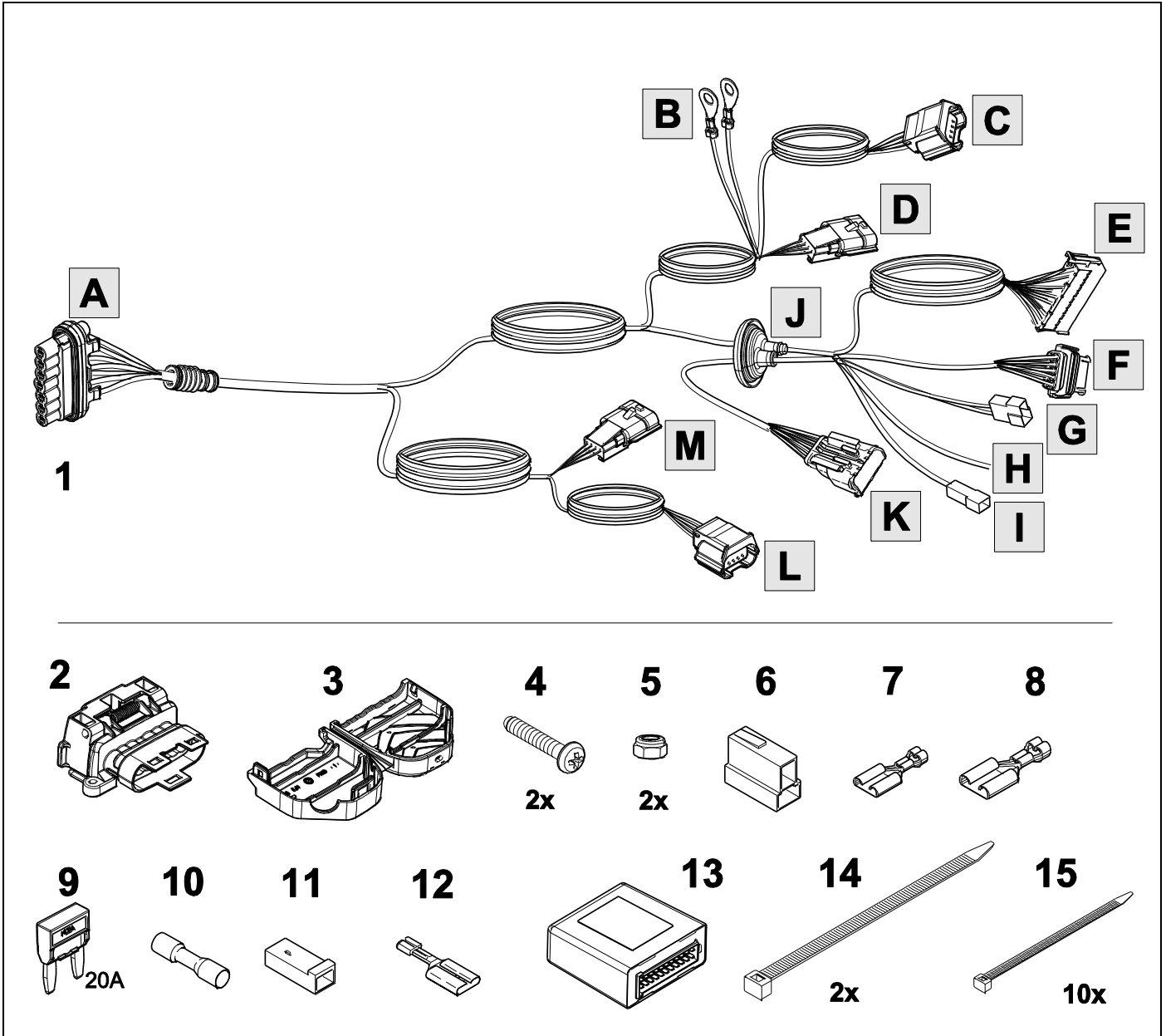
The following information must be reviewed before beginning the assembly:

- The installation instructions are to be thoroughly read.
- The installation should be carried out by qualified personnel with the relevant technical knowledge.
- The vehicle manufacturers' current technical notices and information on retrofitting must be followed.
- The removal and replacement instructions found in the current repair manuals must be followed.
- It must be ensured that the vehicle is technically suitable for the installation of a trailer hitch.

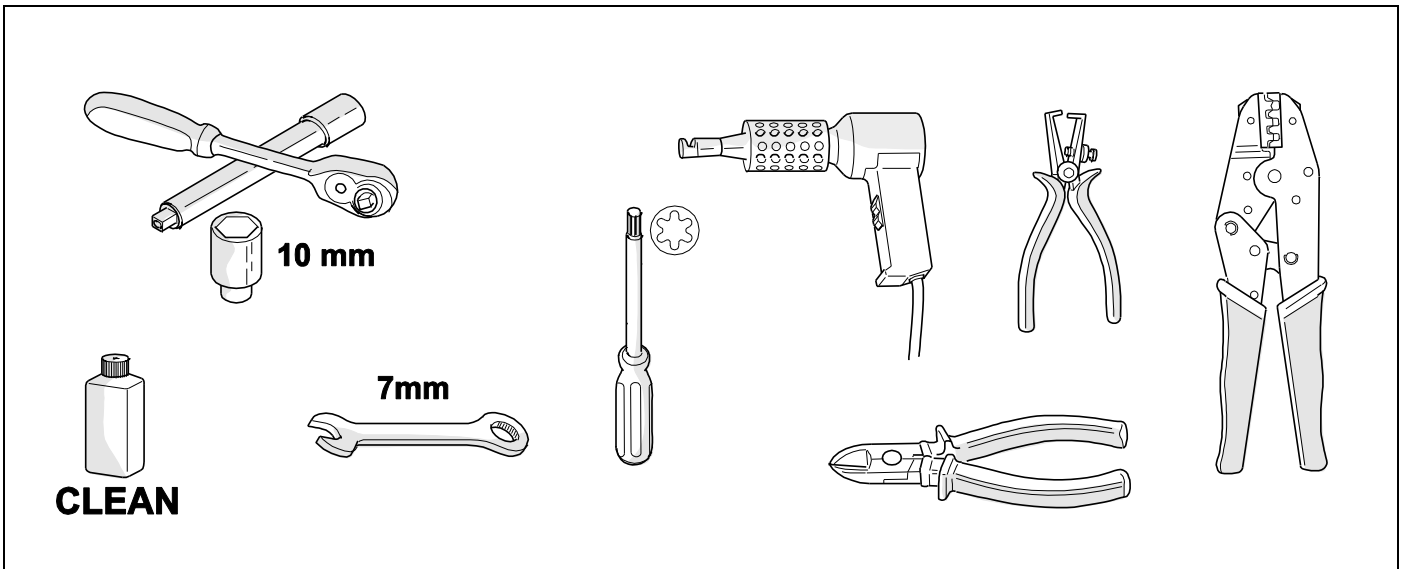
OVERVIEW



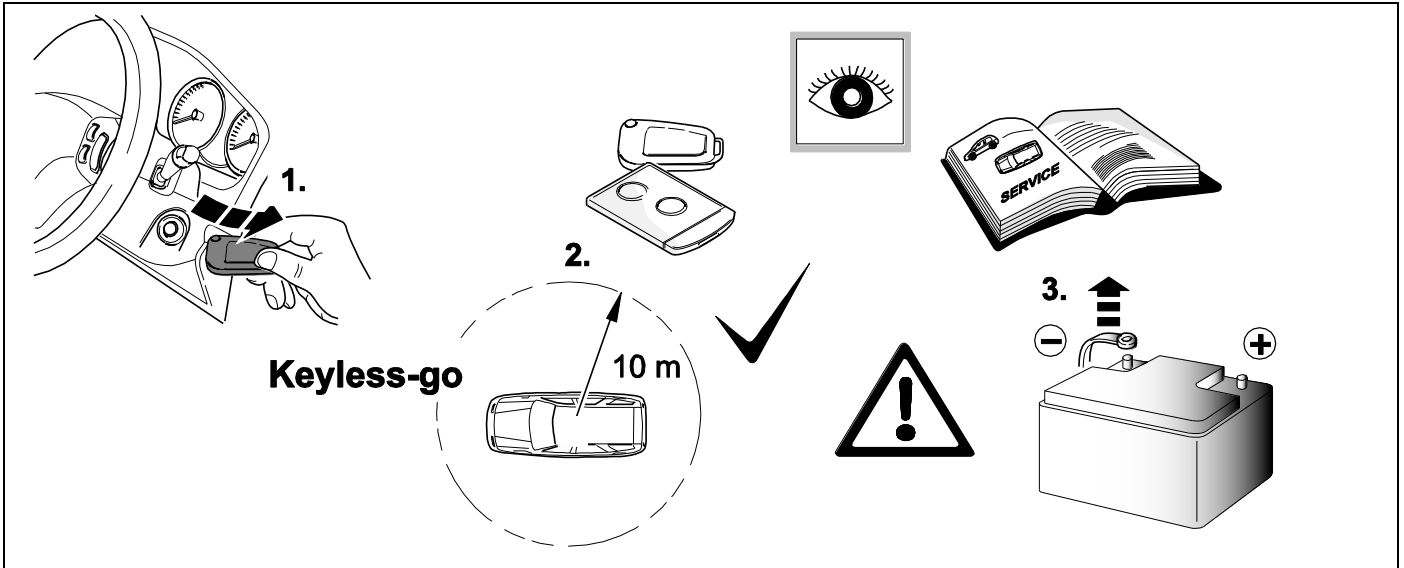
KIT



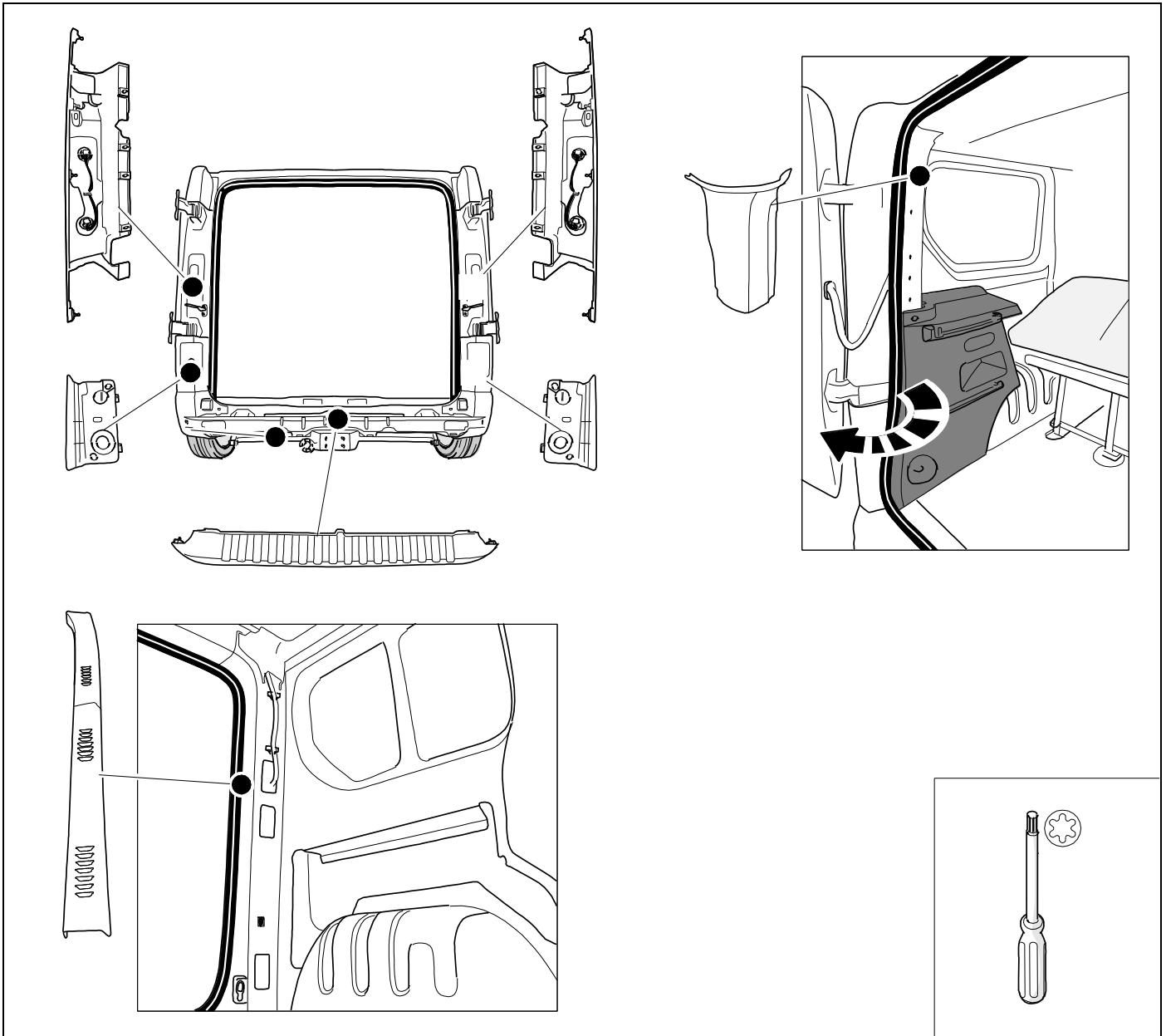
TOOLS

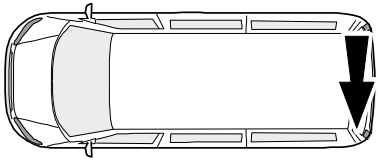


1

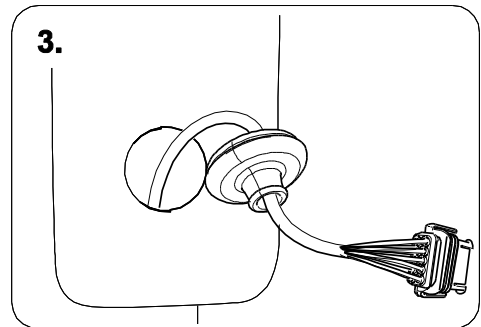
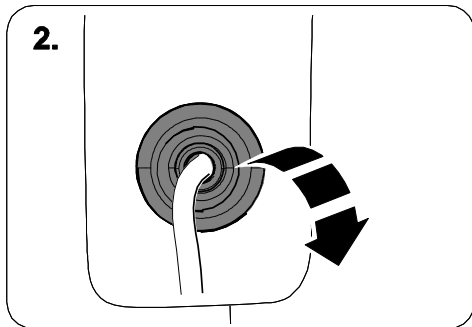
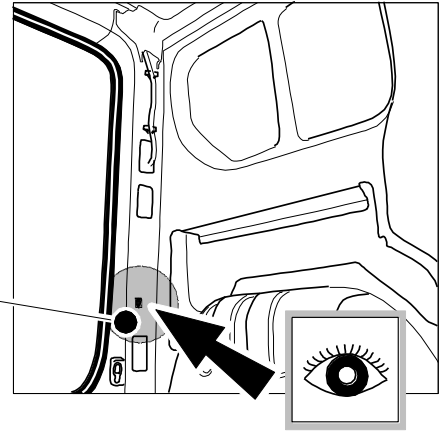
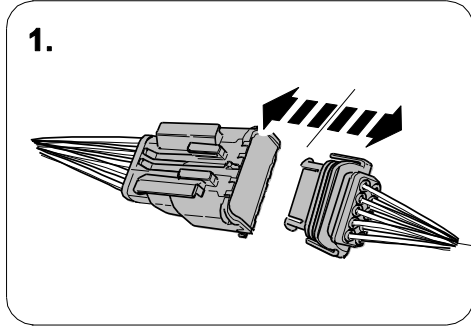
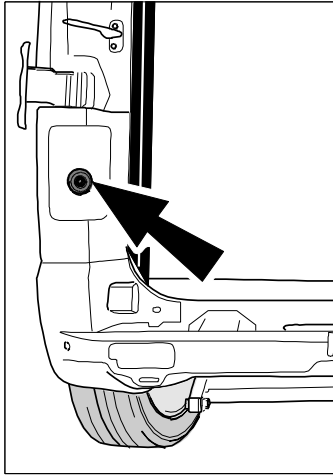


2 REMOVE

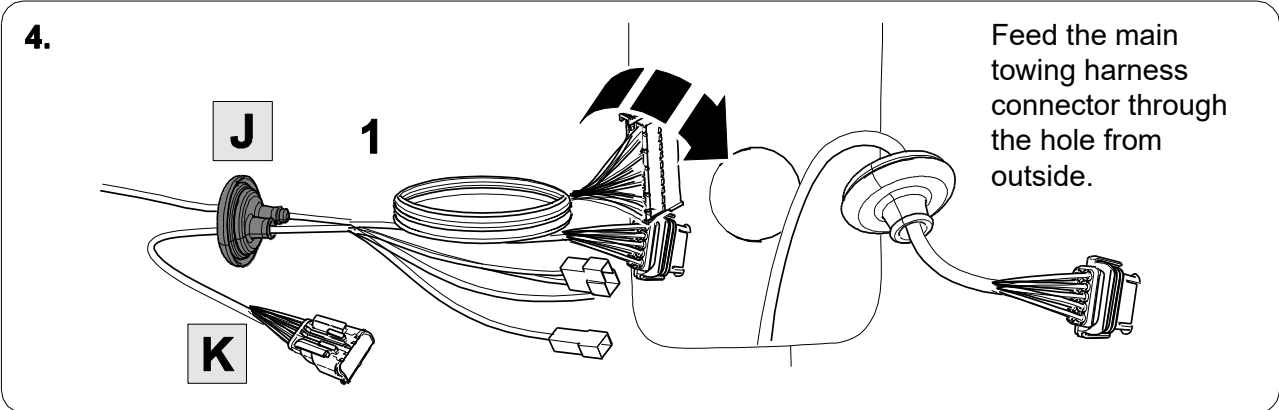




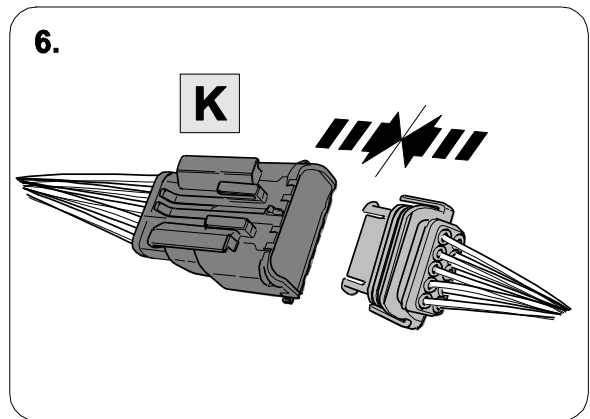
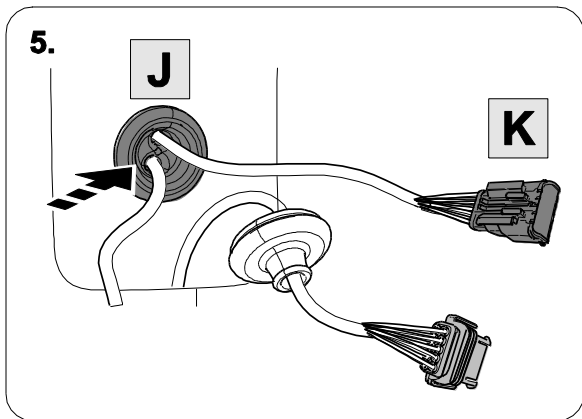
Disconnect the main light cluster connector inside the vehicle.



Pull the harness out from outside.



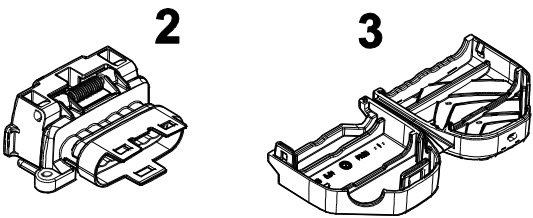
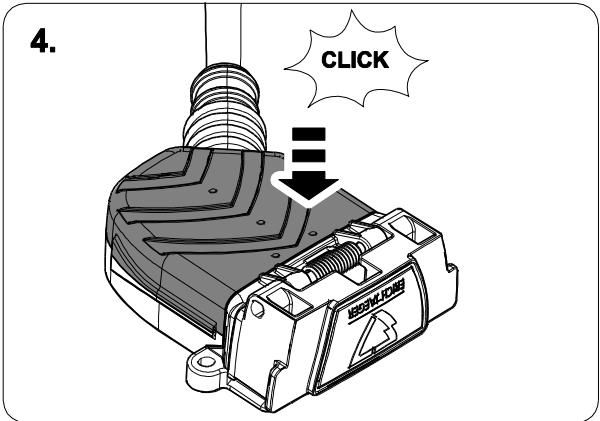
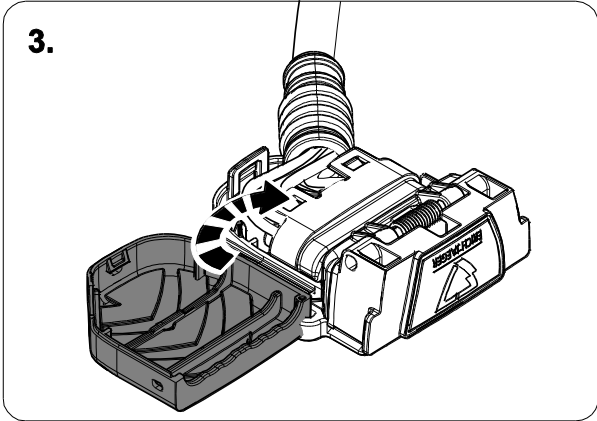
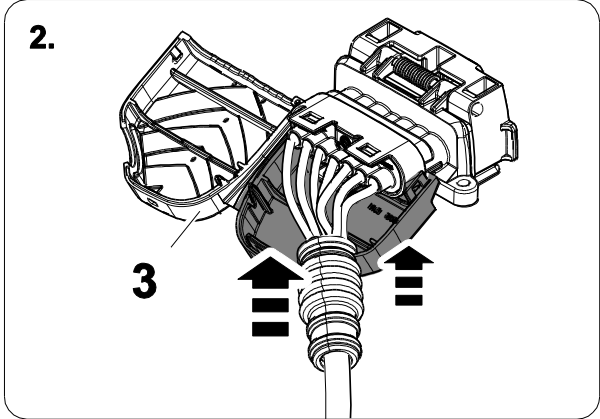
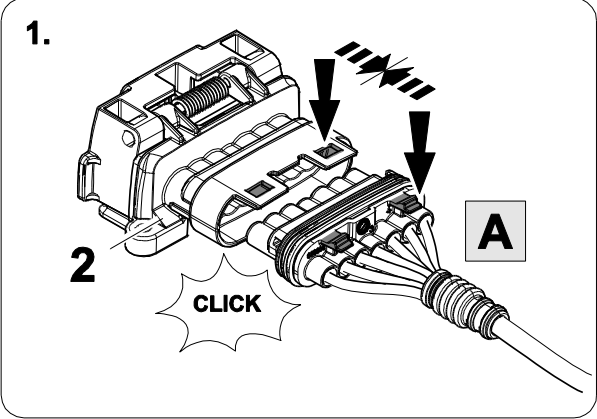
Feed the main towing harness connector through the hole from outside.



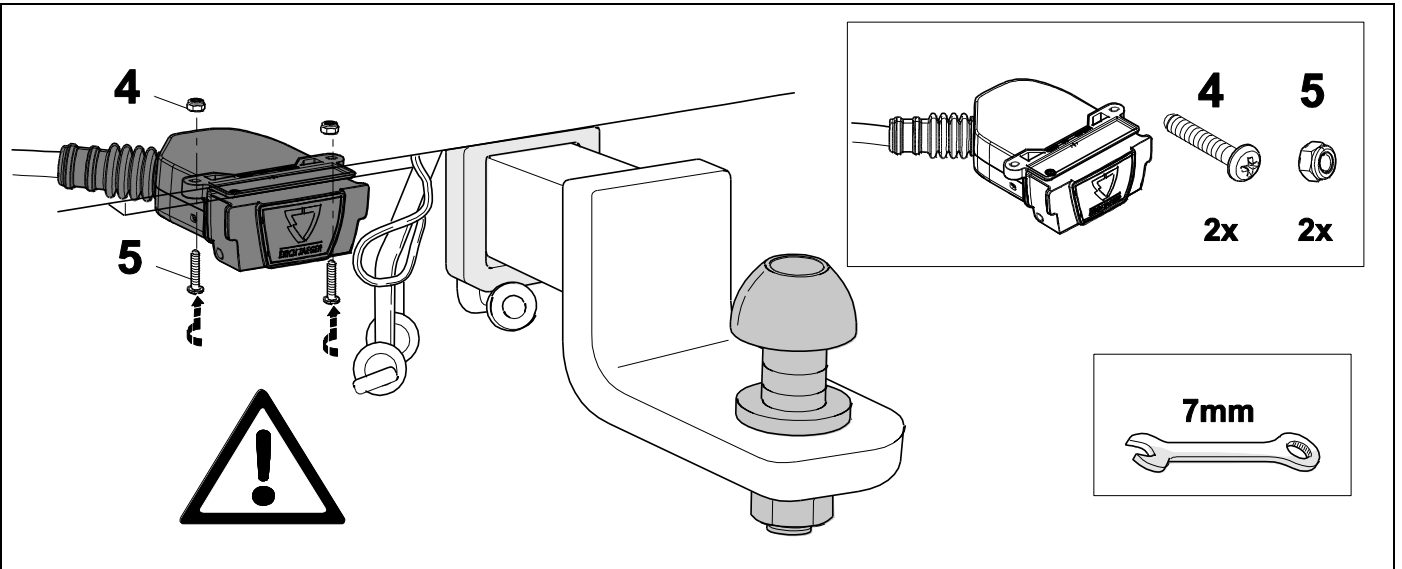
4



6



5



6



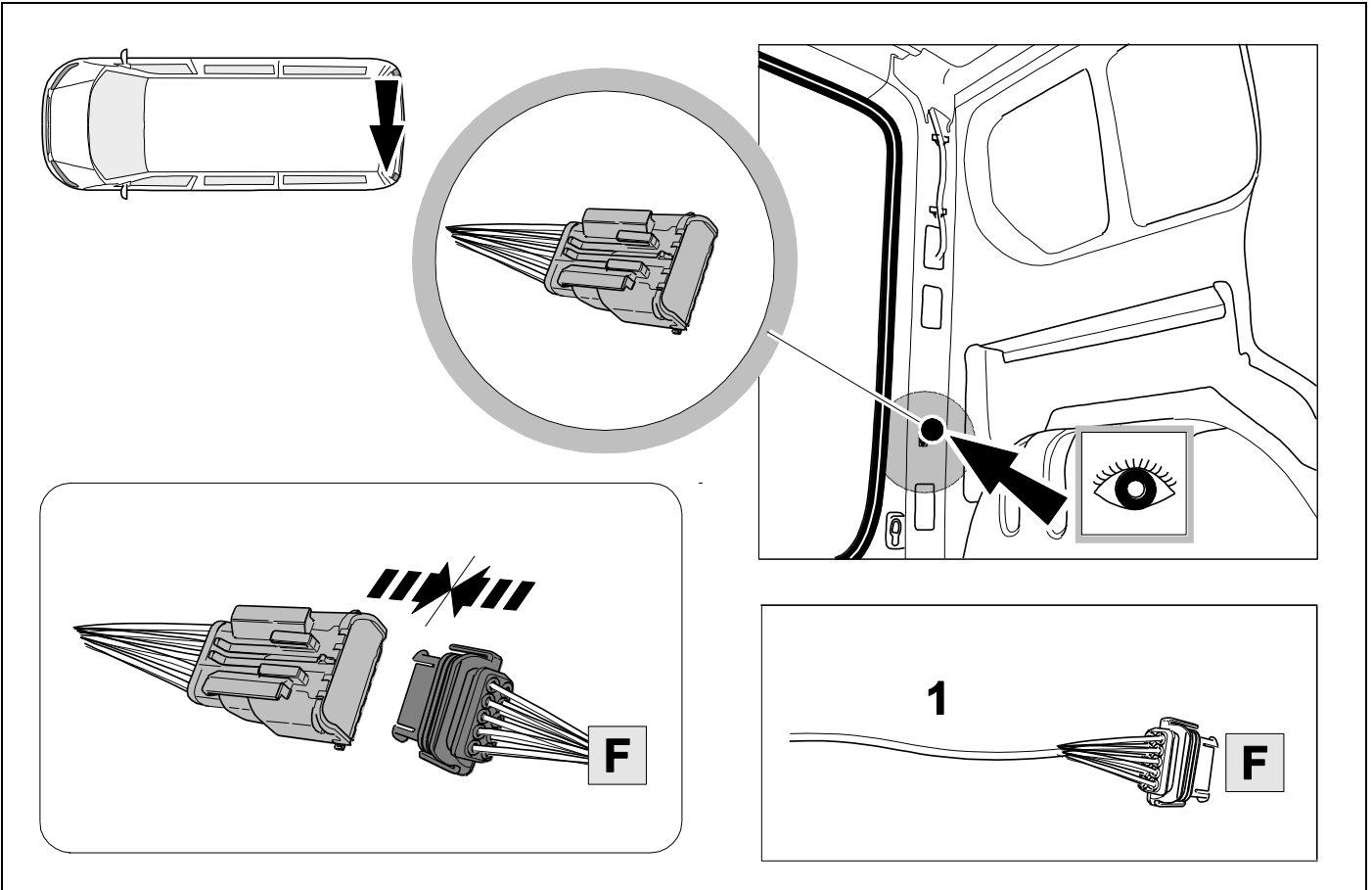
7

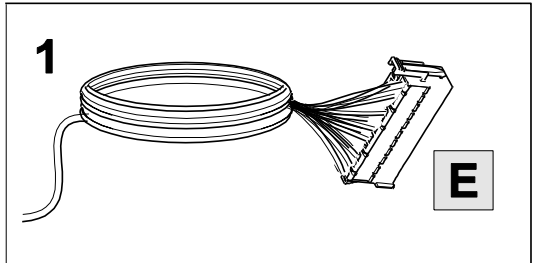
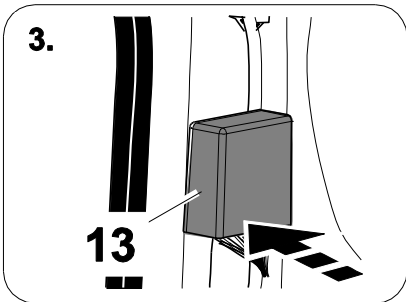
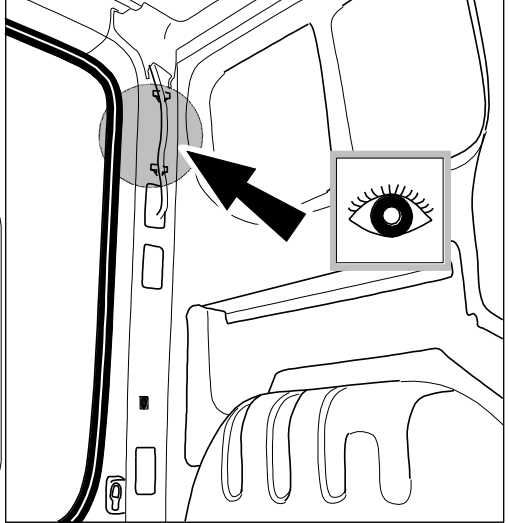
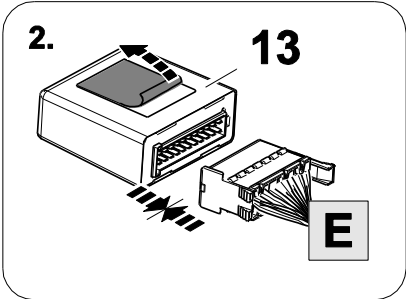
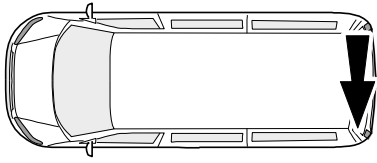
1	ye	
2	bk	
3	wh	
4	gn	
5	bu	
6	rd	
7	bn	

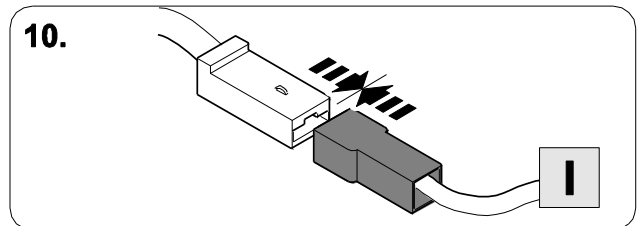
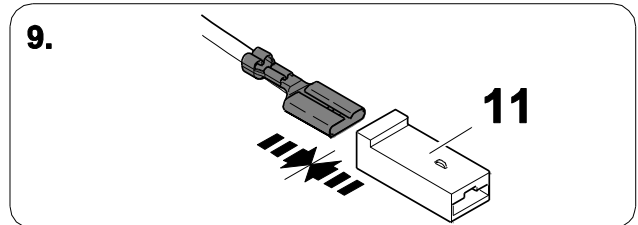
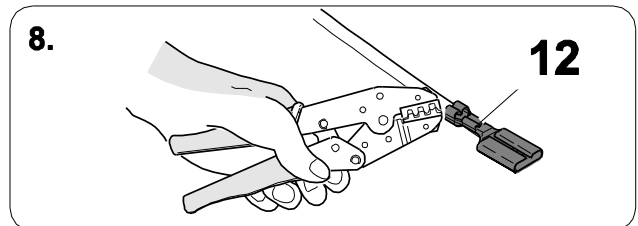
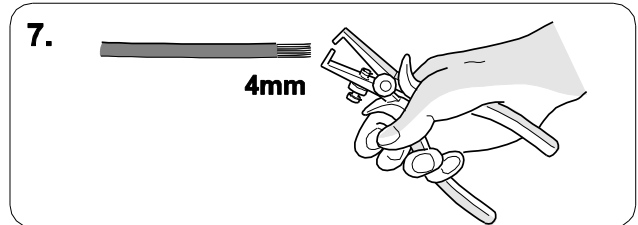
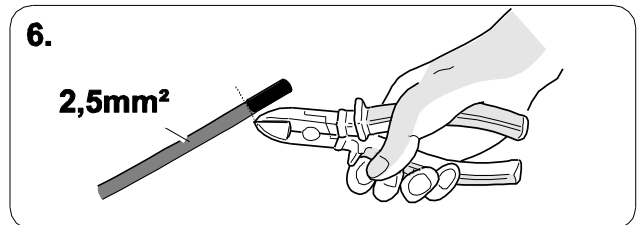
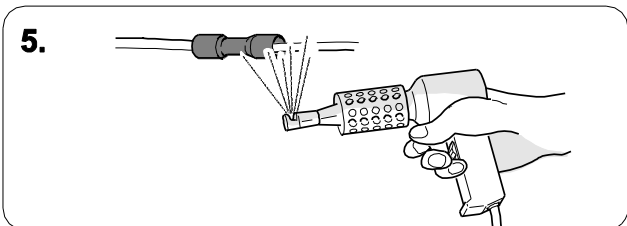
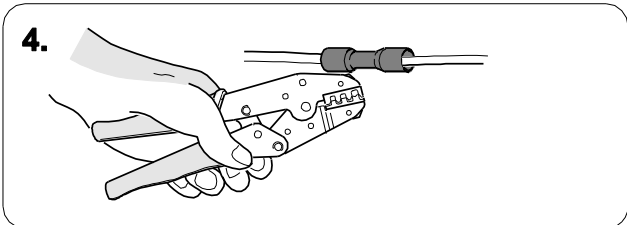
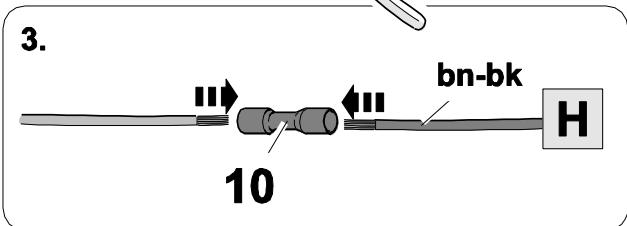
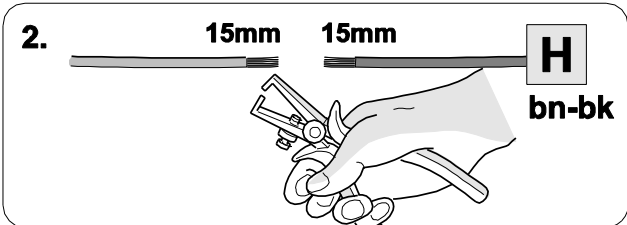
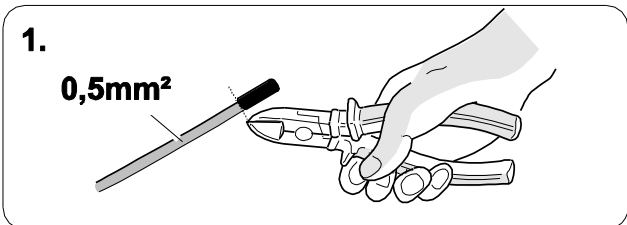
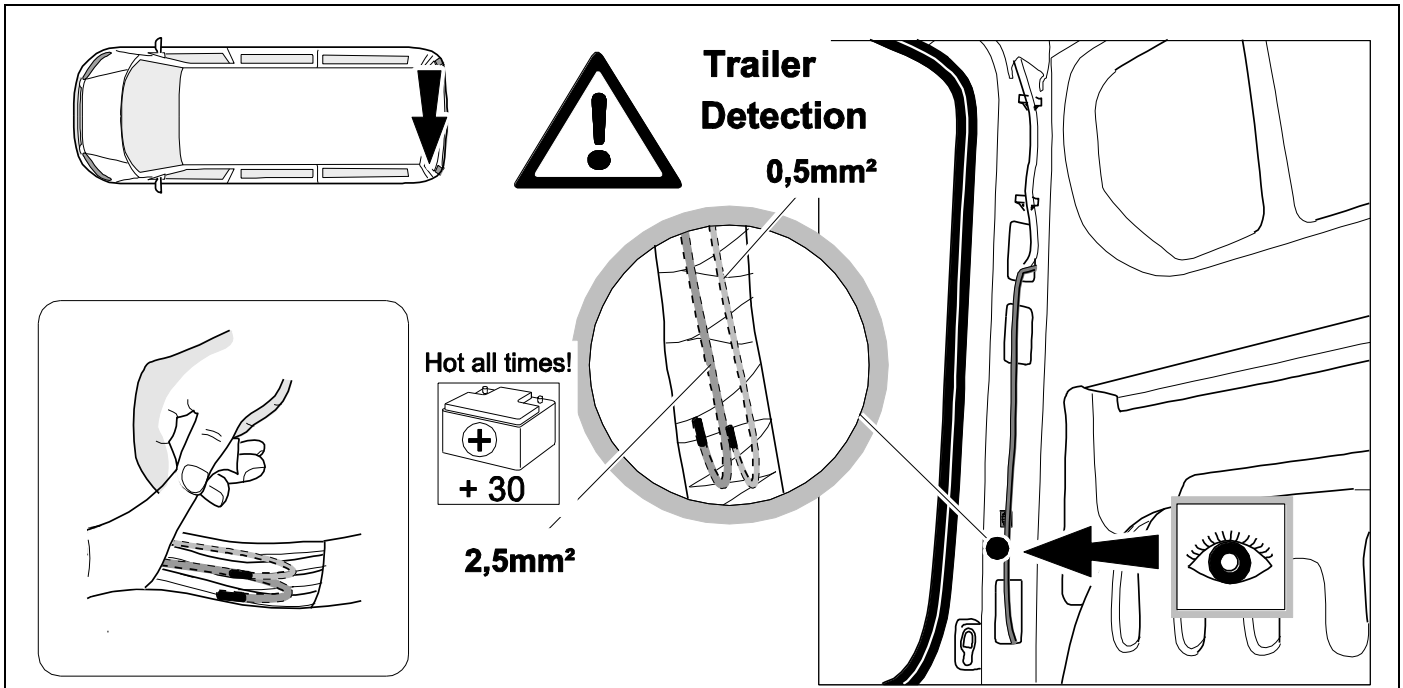
7	bk	wh	gy	gn	rd	bu	ye	bn	pu	or	no
---	----	----	----	----	----	----	----	----	----	----	----

	black	white	grey	green	red	blue	yellow	brown	purple	orange	not occupied
--	-------	-------	------	-------	-----	------	--------	-------	--------	--------	--------------

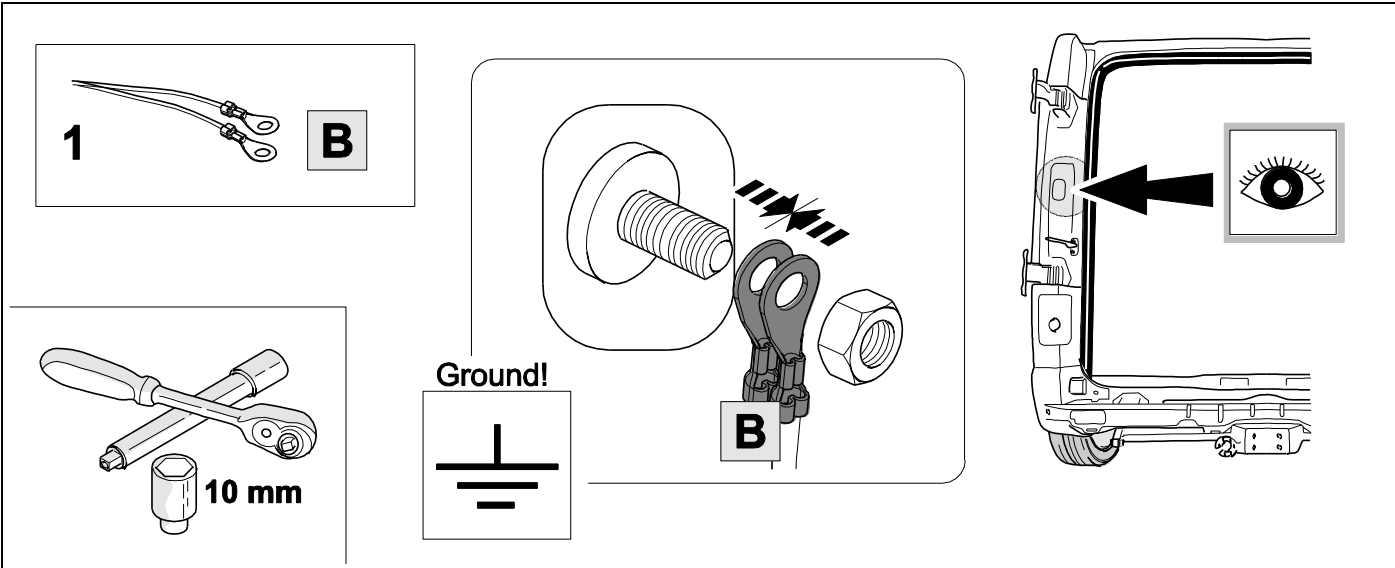
8



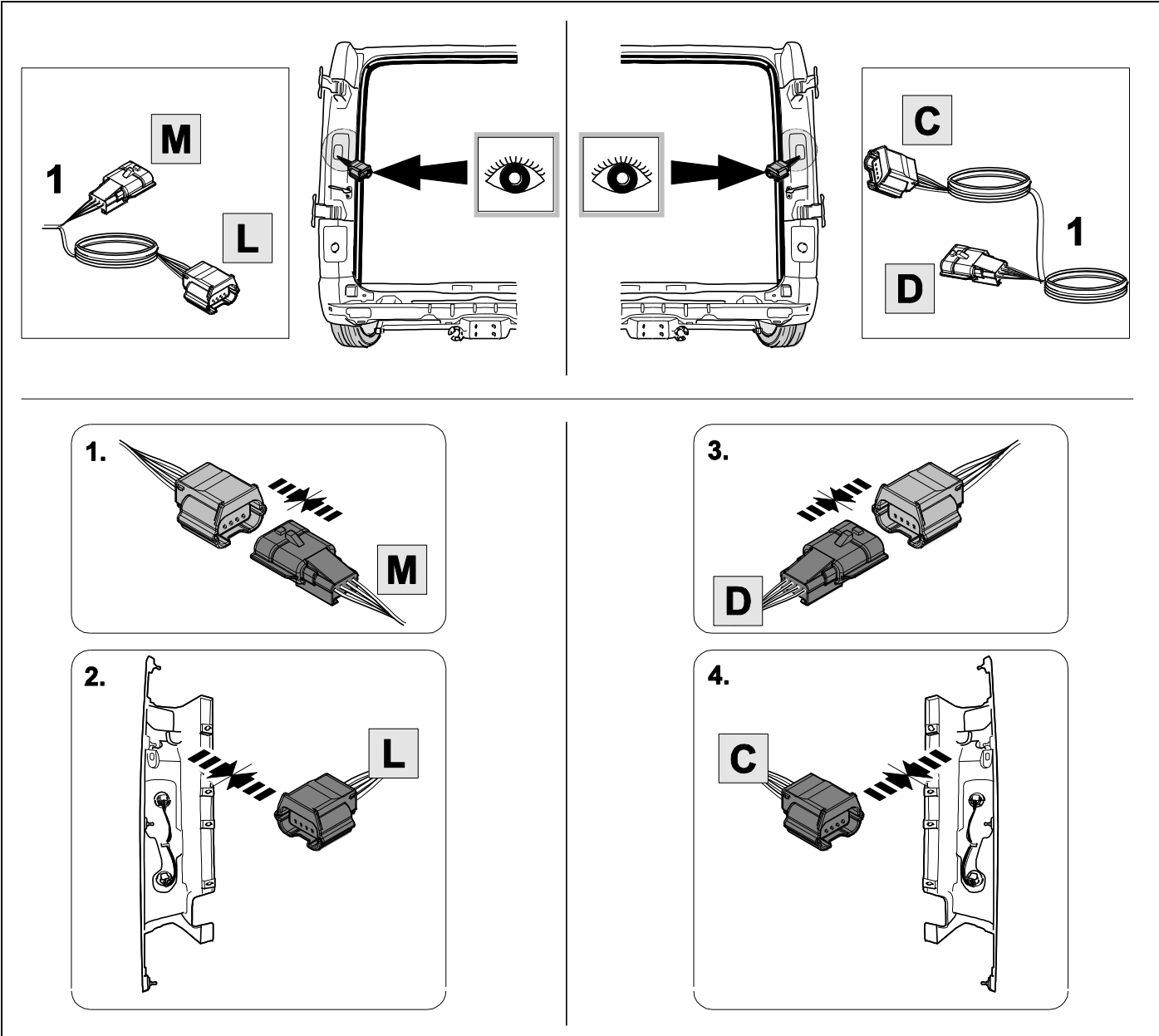


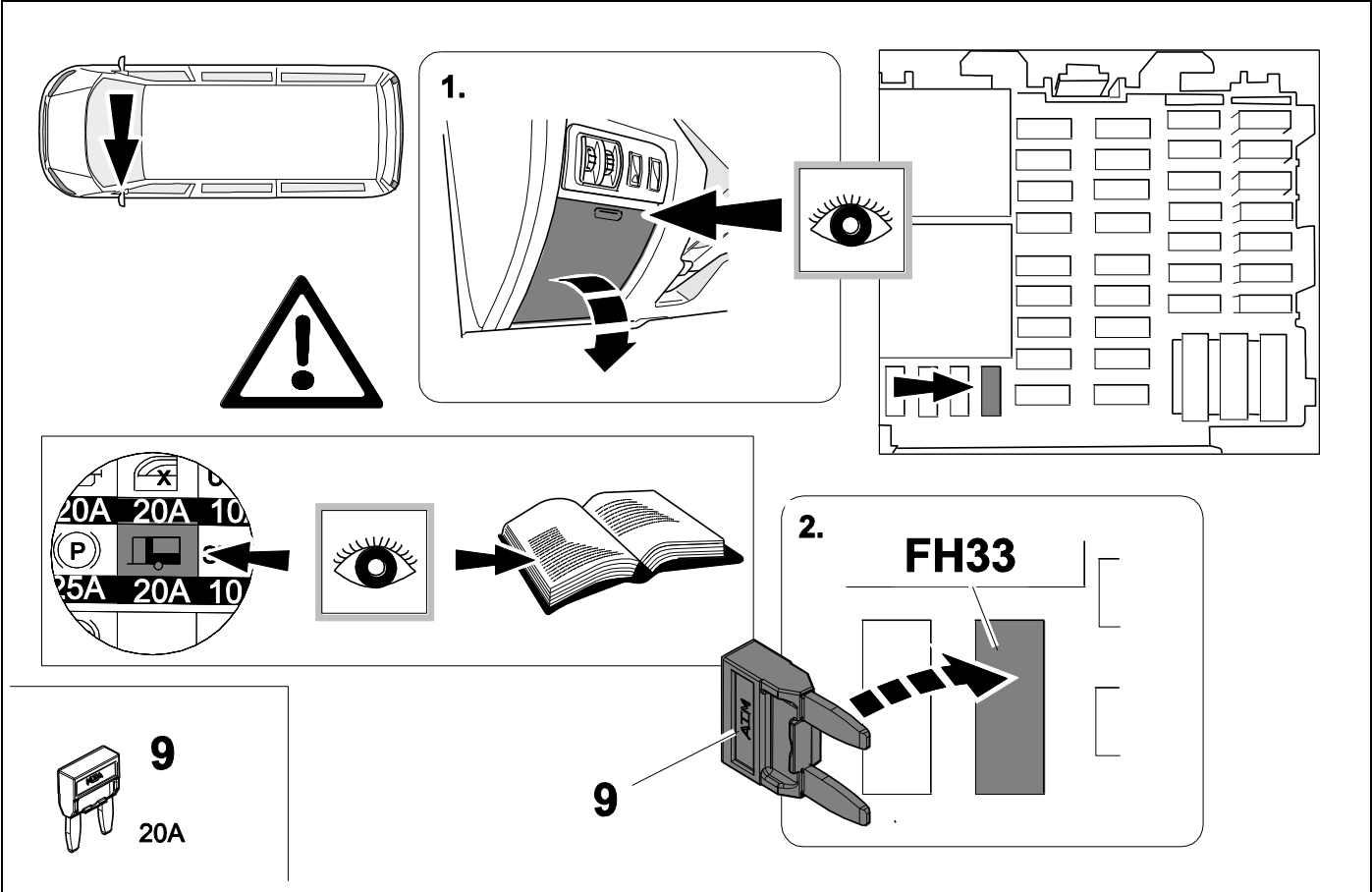


11



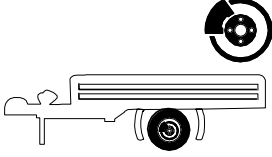
12



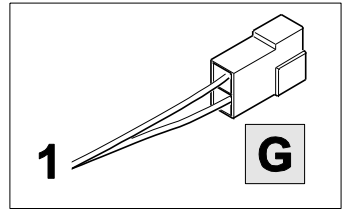




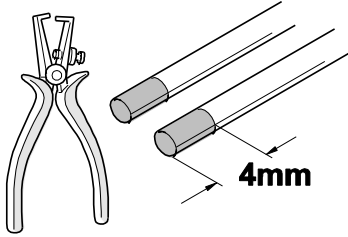
**BRAKE
CONTROLLER
PREPARED**



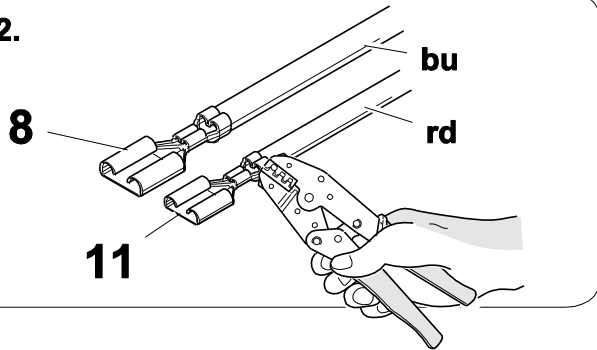
Trailer Brake Preparation



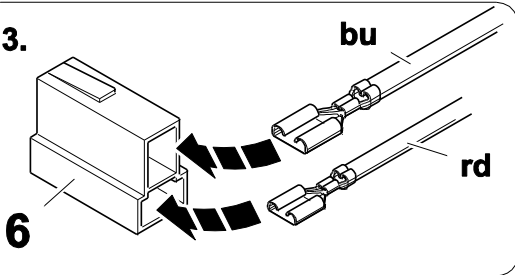
1.



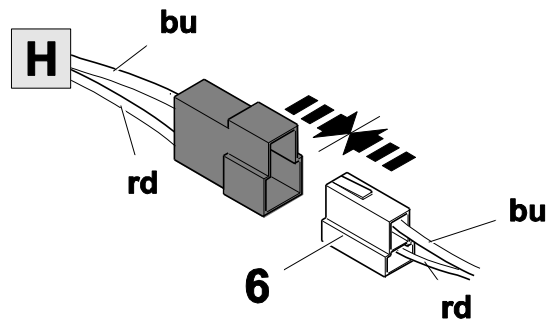
2.



3.



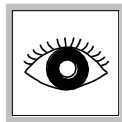
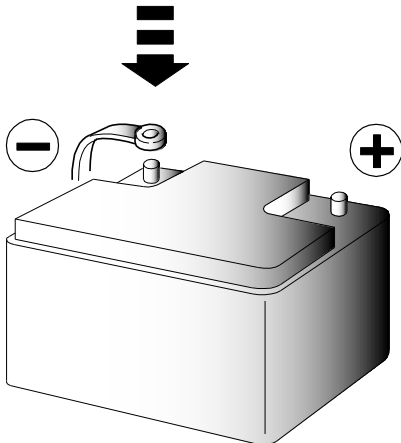
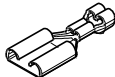
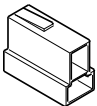
4.



6

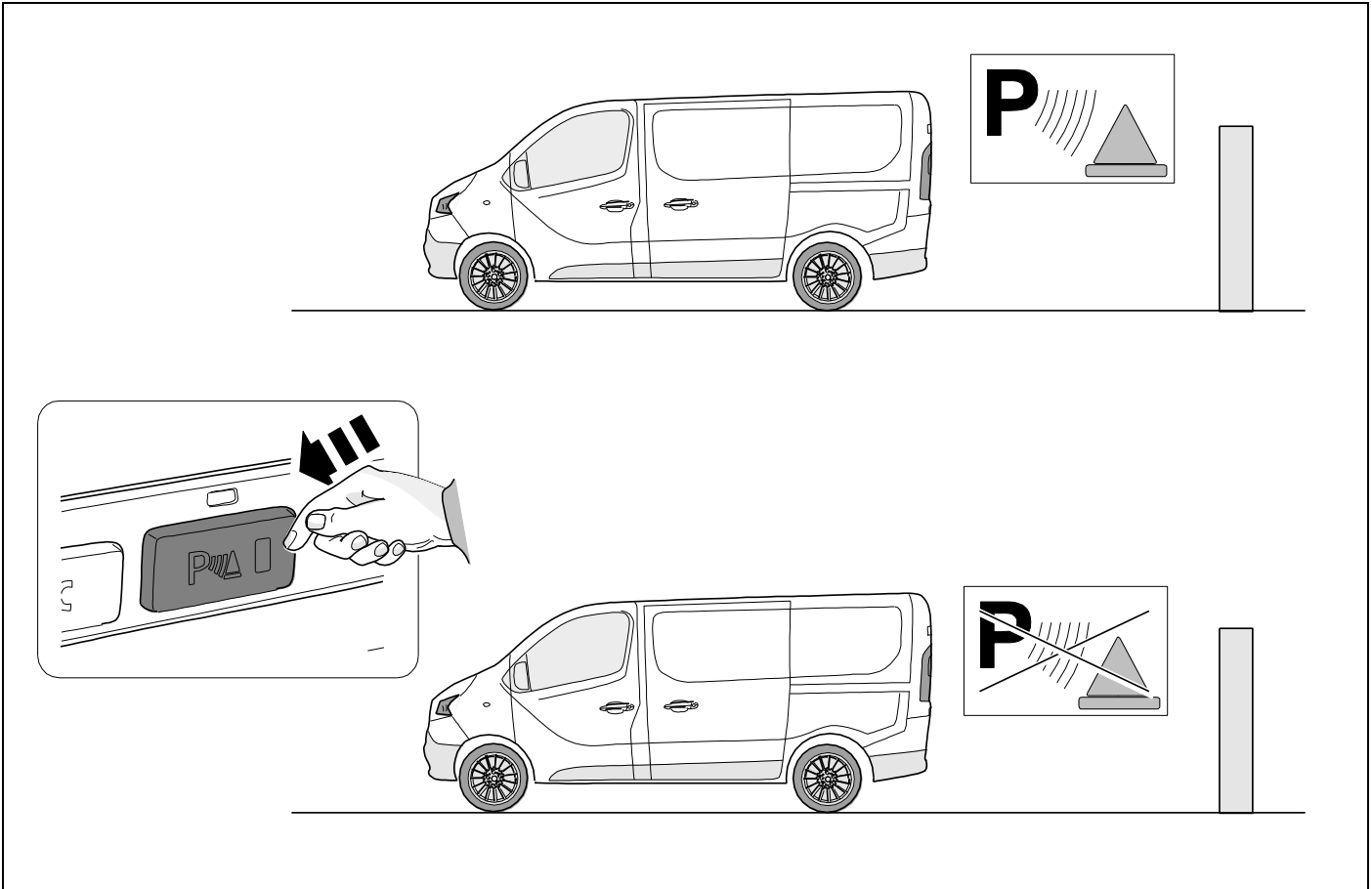
7

8



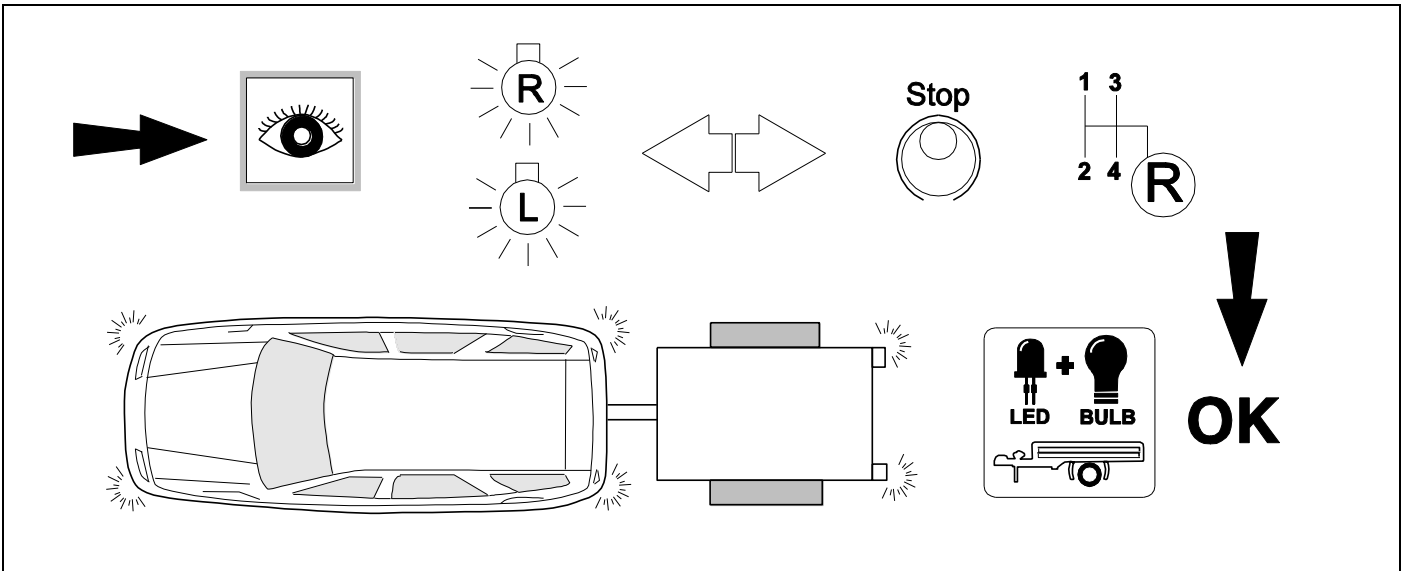
16

INFORMATION



17

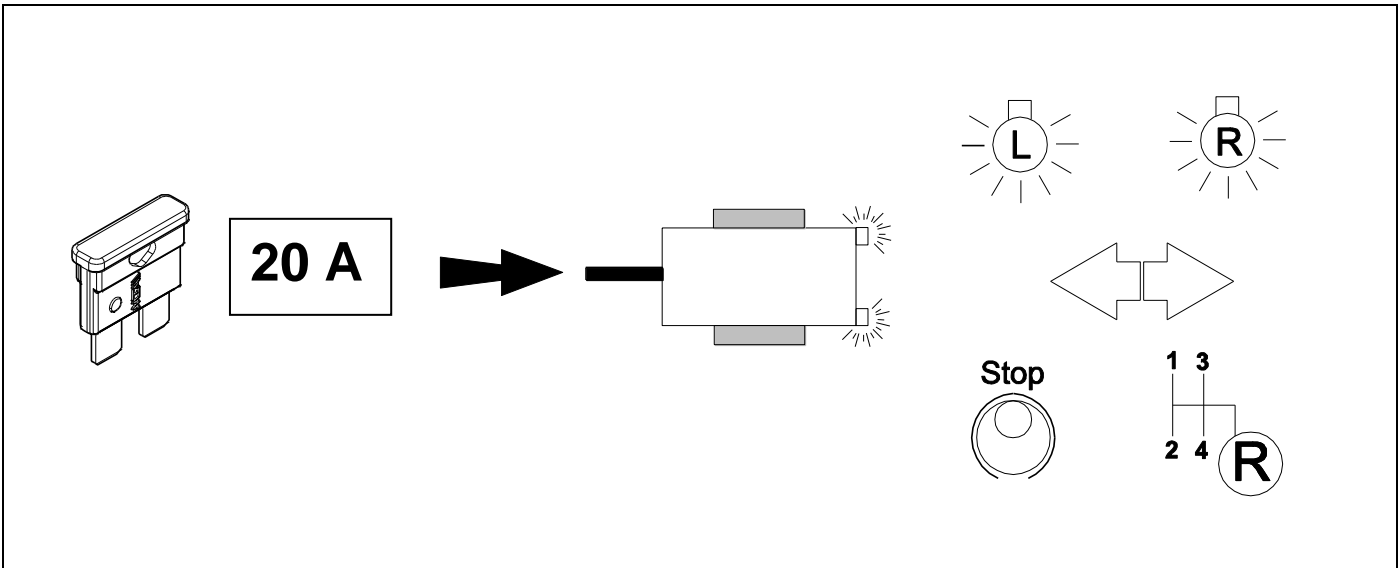
CHECK ALL LIGHTING FUNCTIONS



18

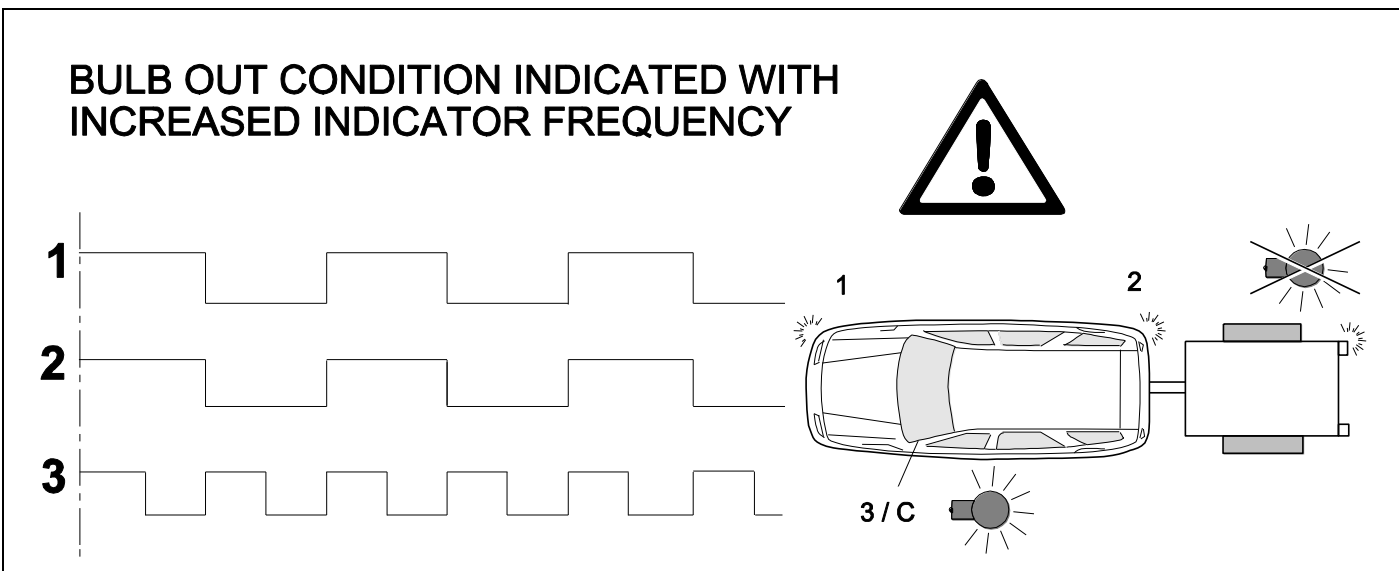


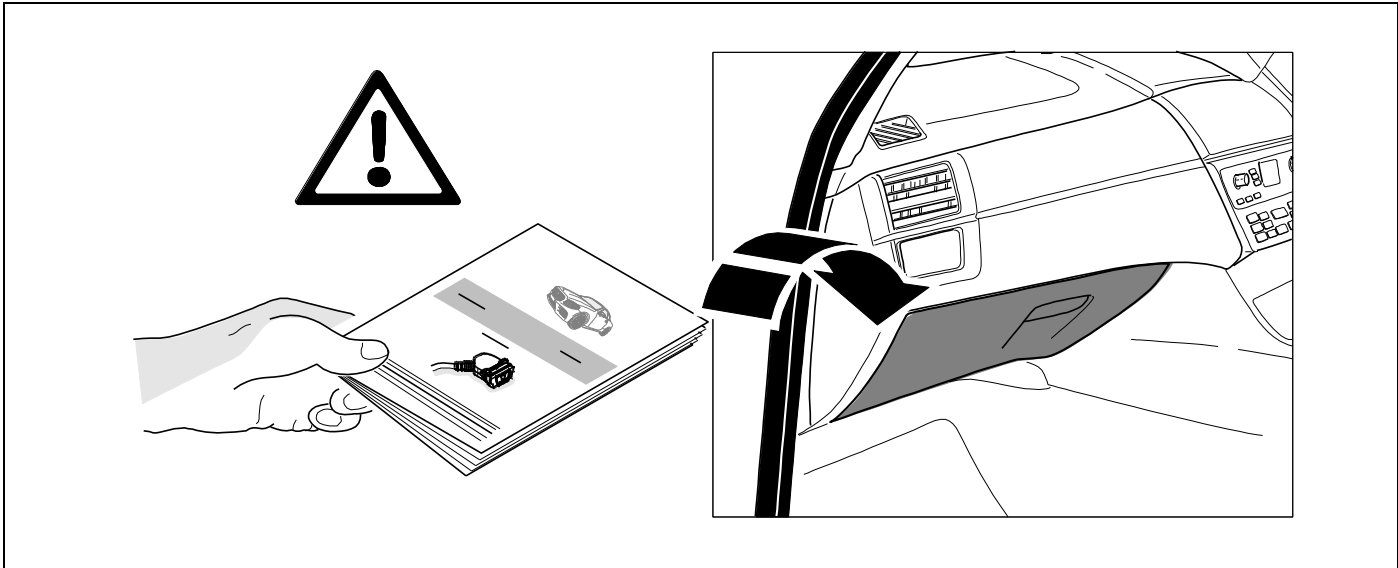
13



19

CHECK BULB OUT DETECTION





Subject to change in terms of construction, equipment and colour, and may contain errors.
The information and illustrations are non-binding.

