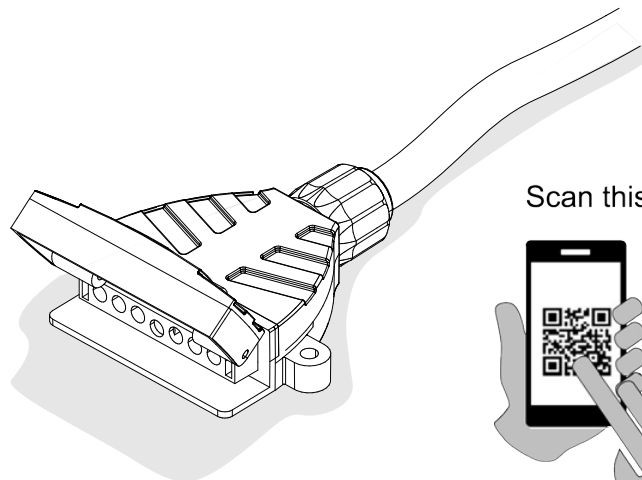


BMW 1-Serie 5-Türer / Door	F20	03/14 >>
BMW 1-Serie 3-Türer / Door	F21	03/14 >>
BMW 2-Serie Coupe	F22	03/14 >>

750060



Scan this for our full E-Kit catalogue



Installation instructions

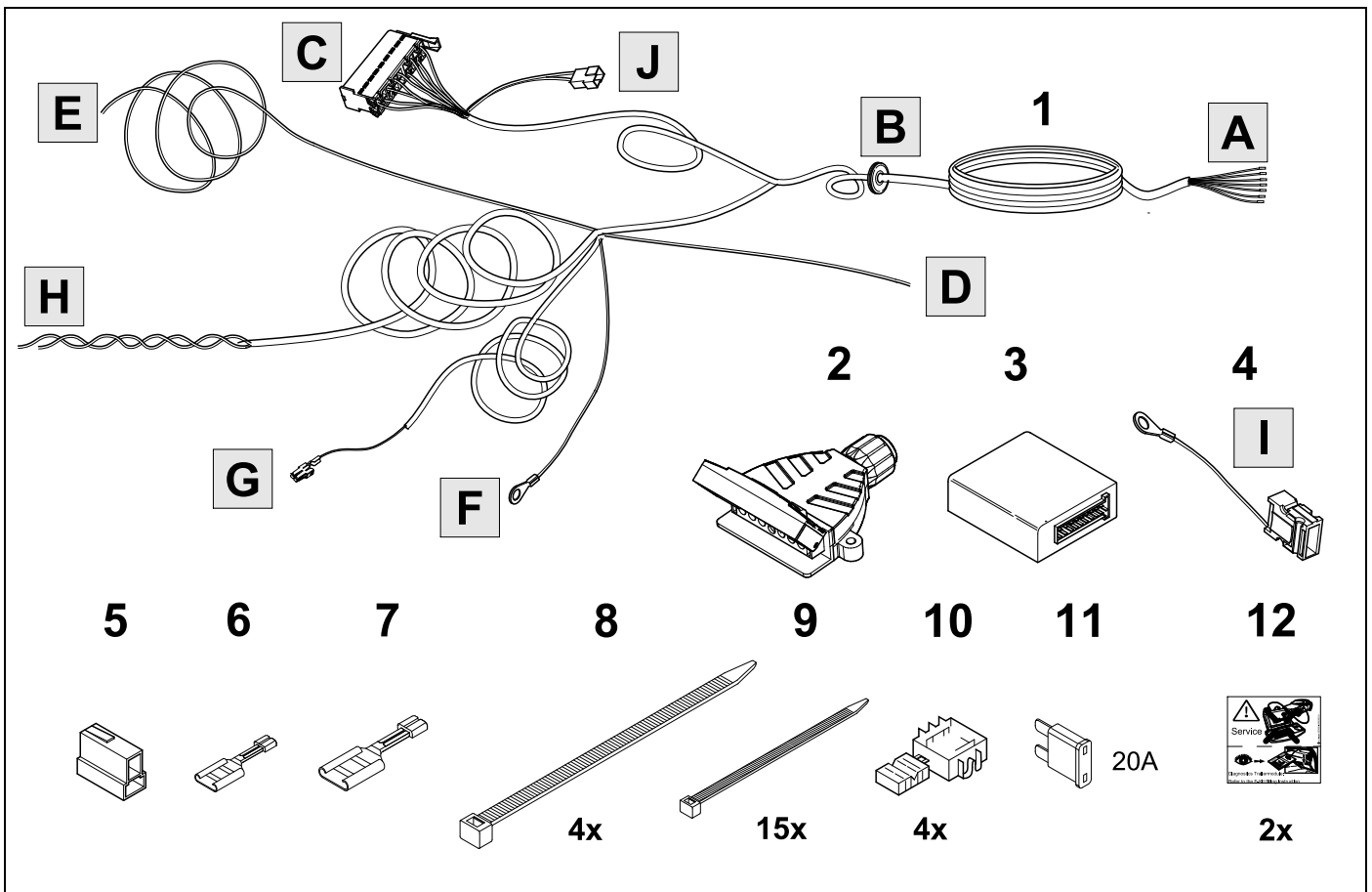
Reference:

The following information must be reviewed before beginning the assembly:

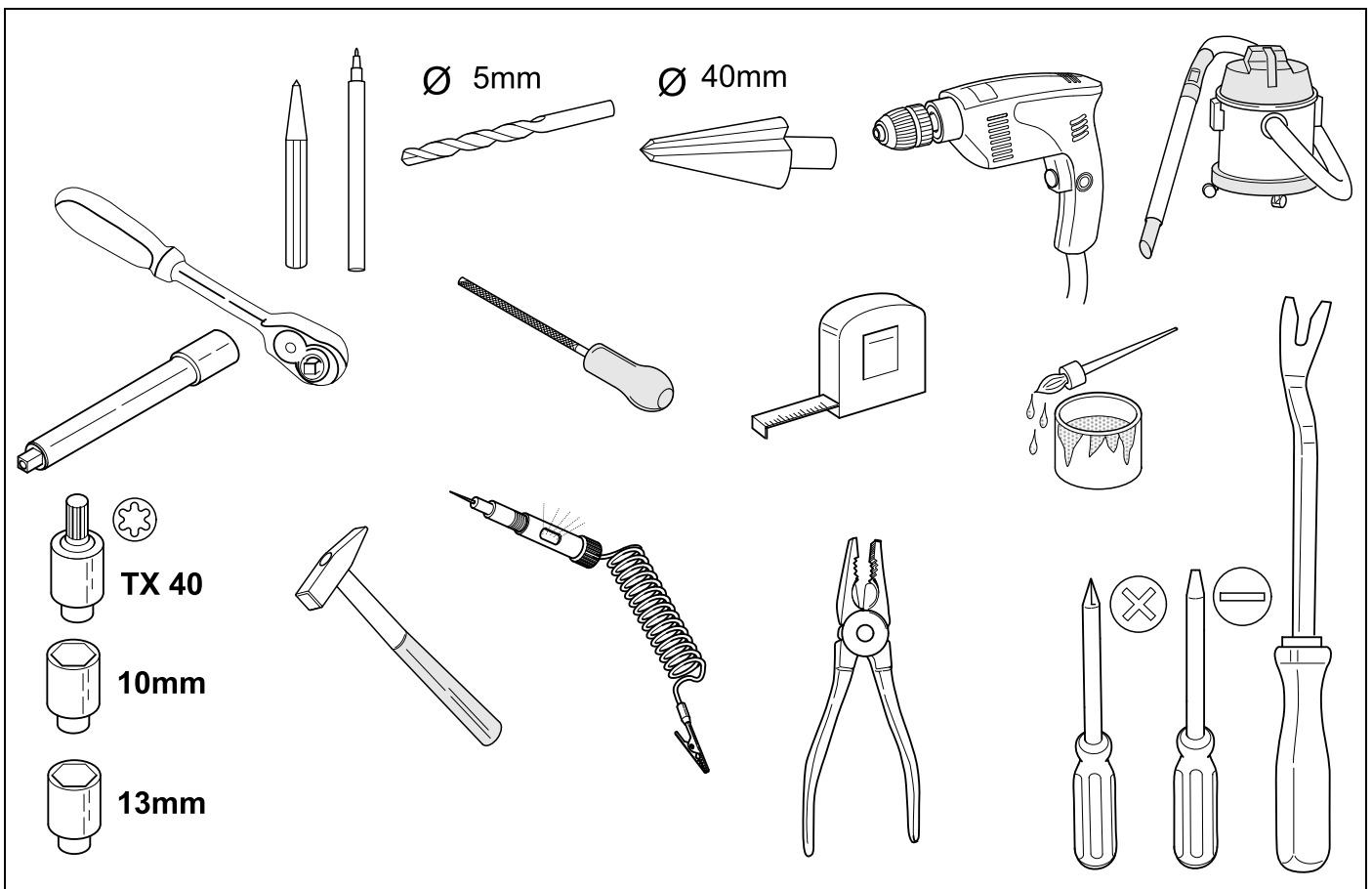


The installation instructions are to be thoroughly read.
The installation should be carried out by qualified personnel with the relevant technical knowledge.
The vehicle manufacturers' current technical notices and information on retrofitting must be followed.
The removal and replacement instructions found in the current repair manuals must be followed.
It must be ensured that the vehicle is technically suitable for the installation of a trailer hitch.

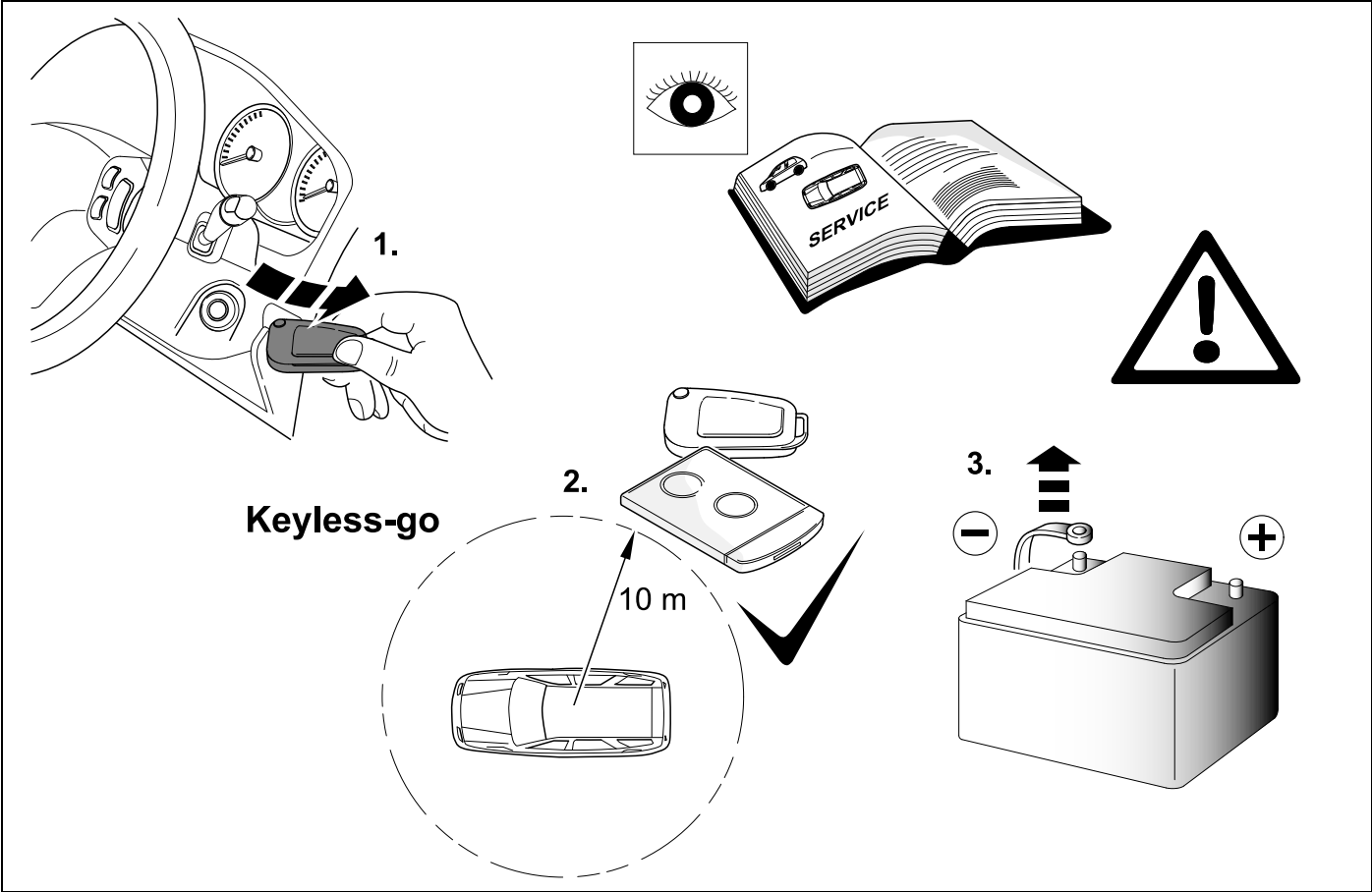
KIT

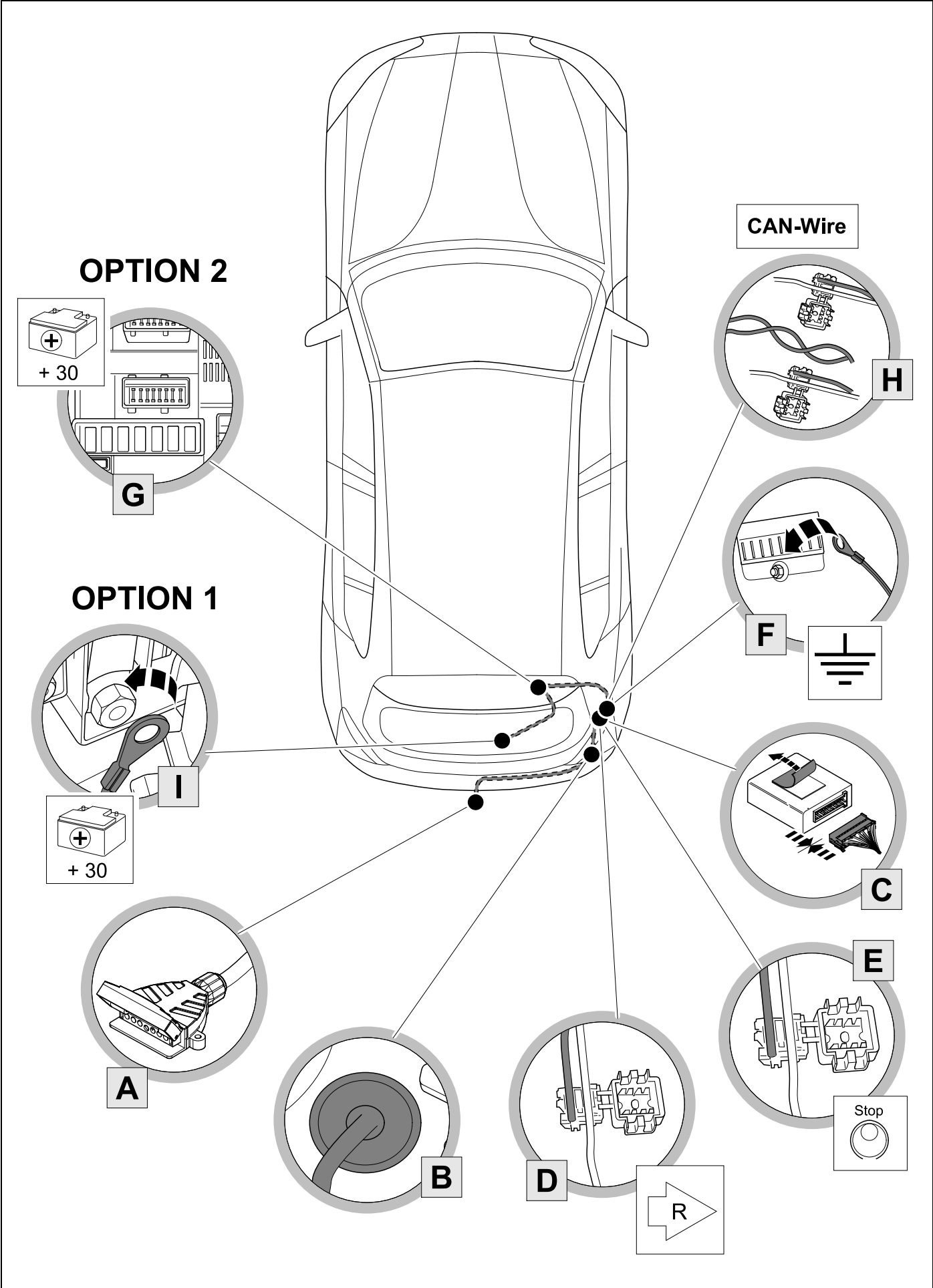


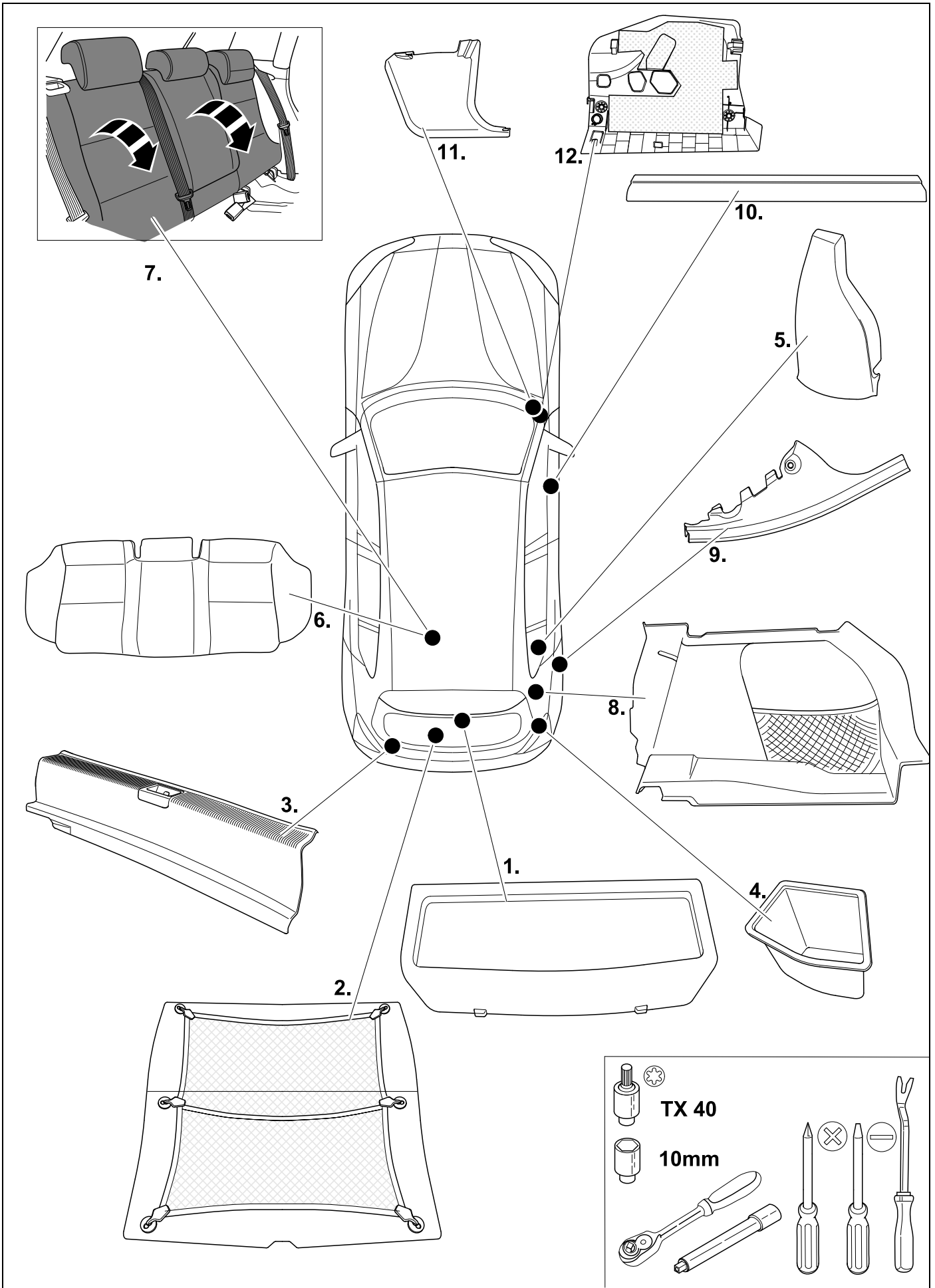
TOOLS



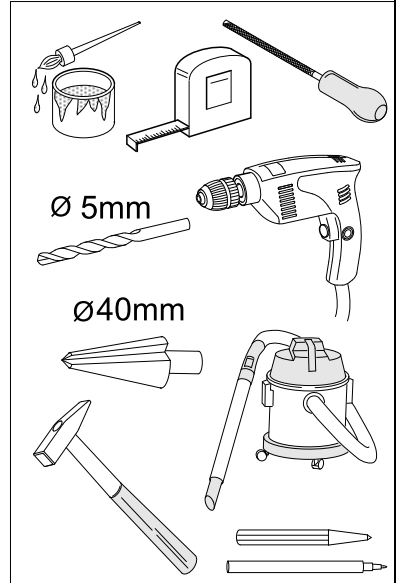
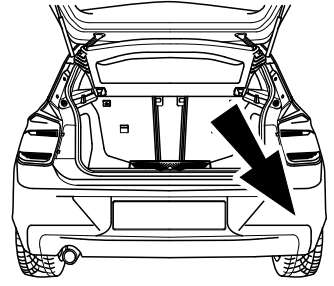
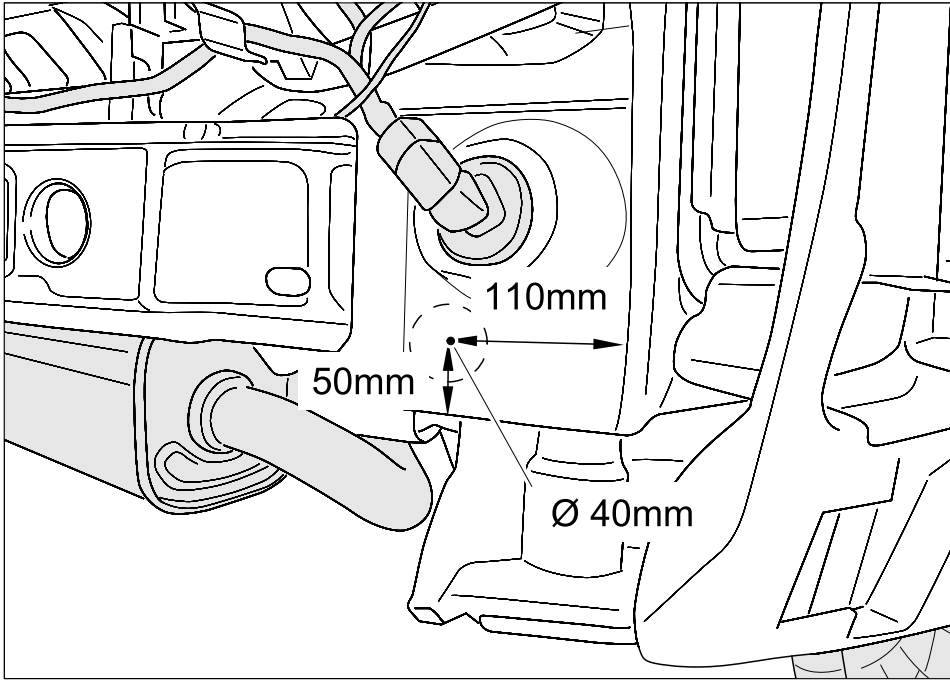
1



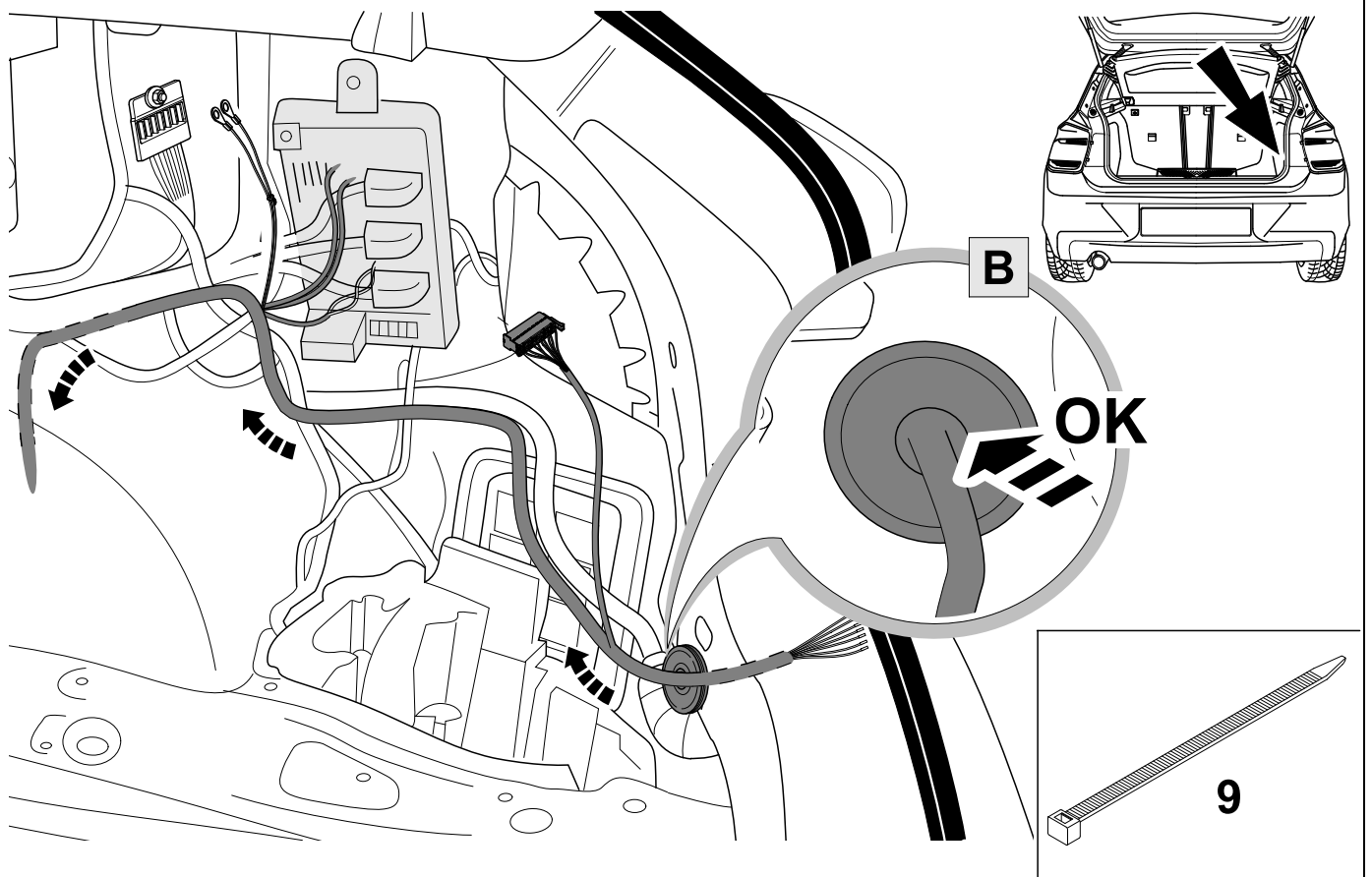




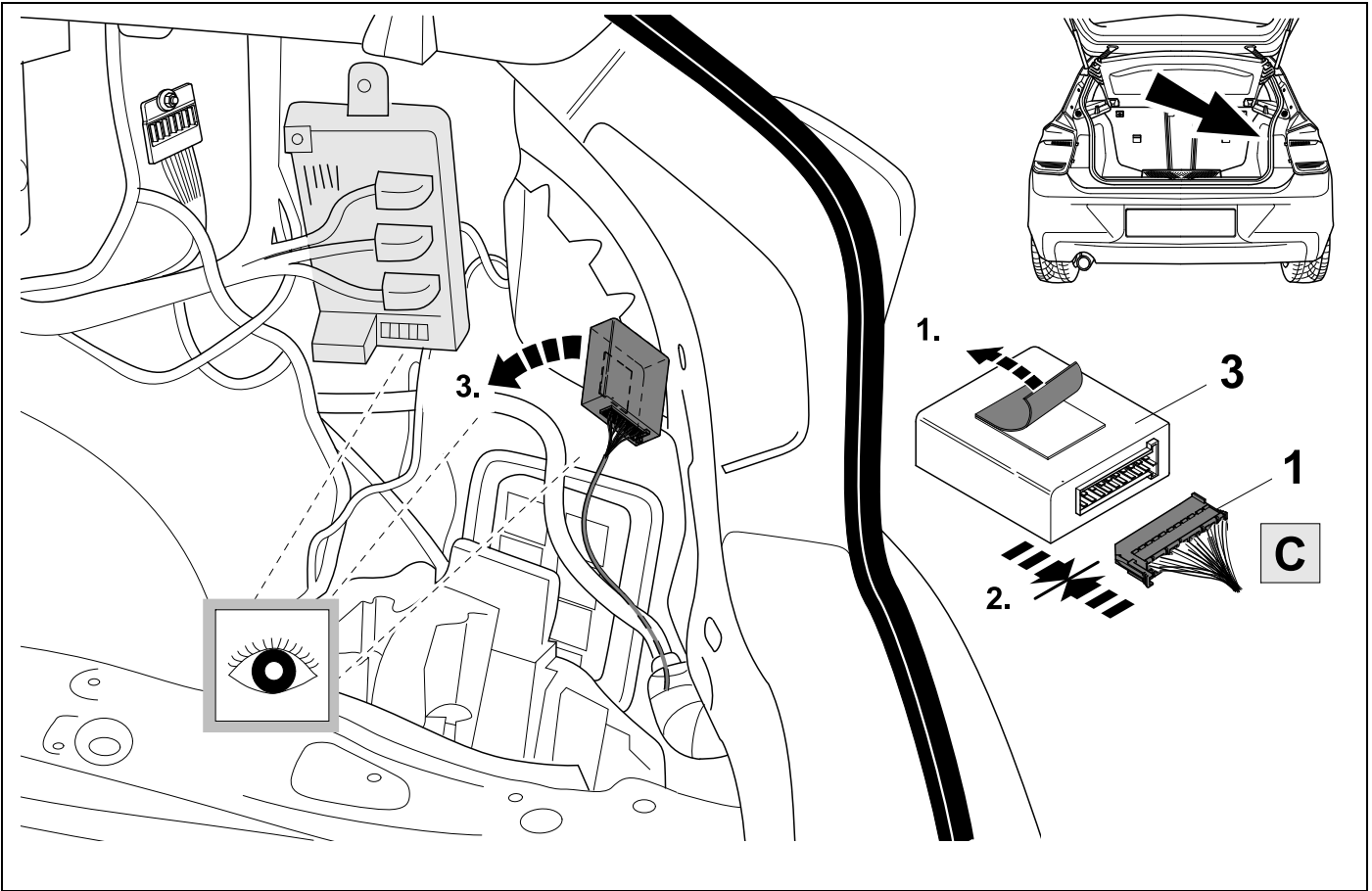
4



5

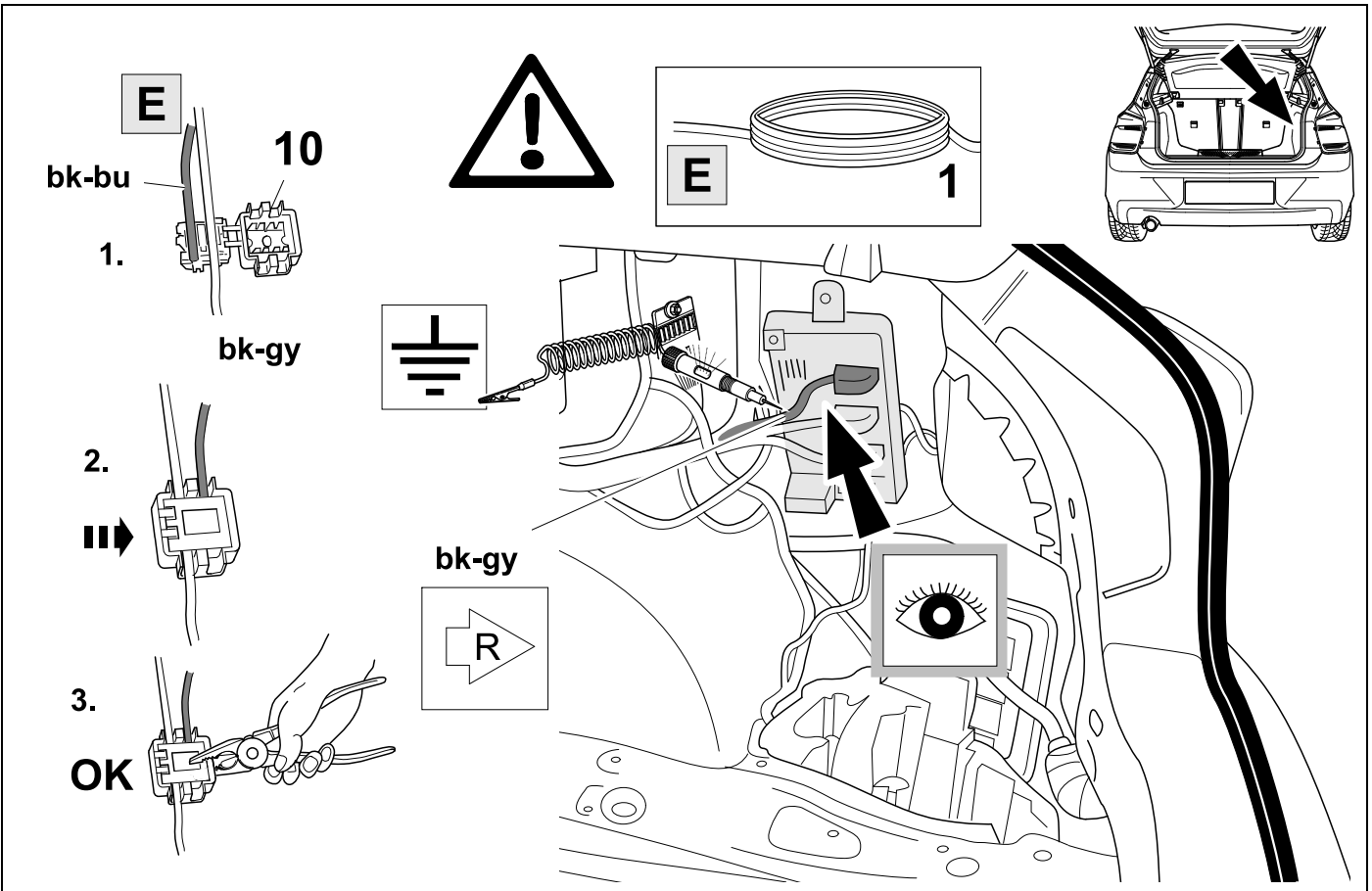


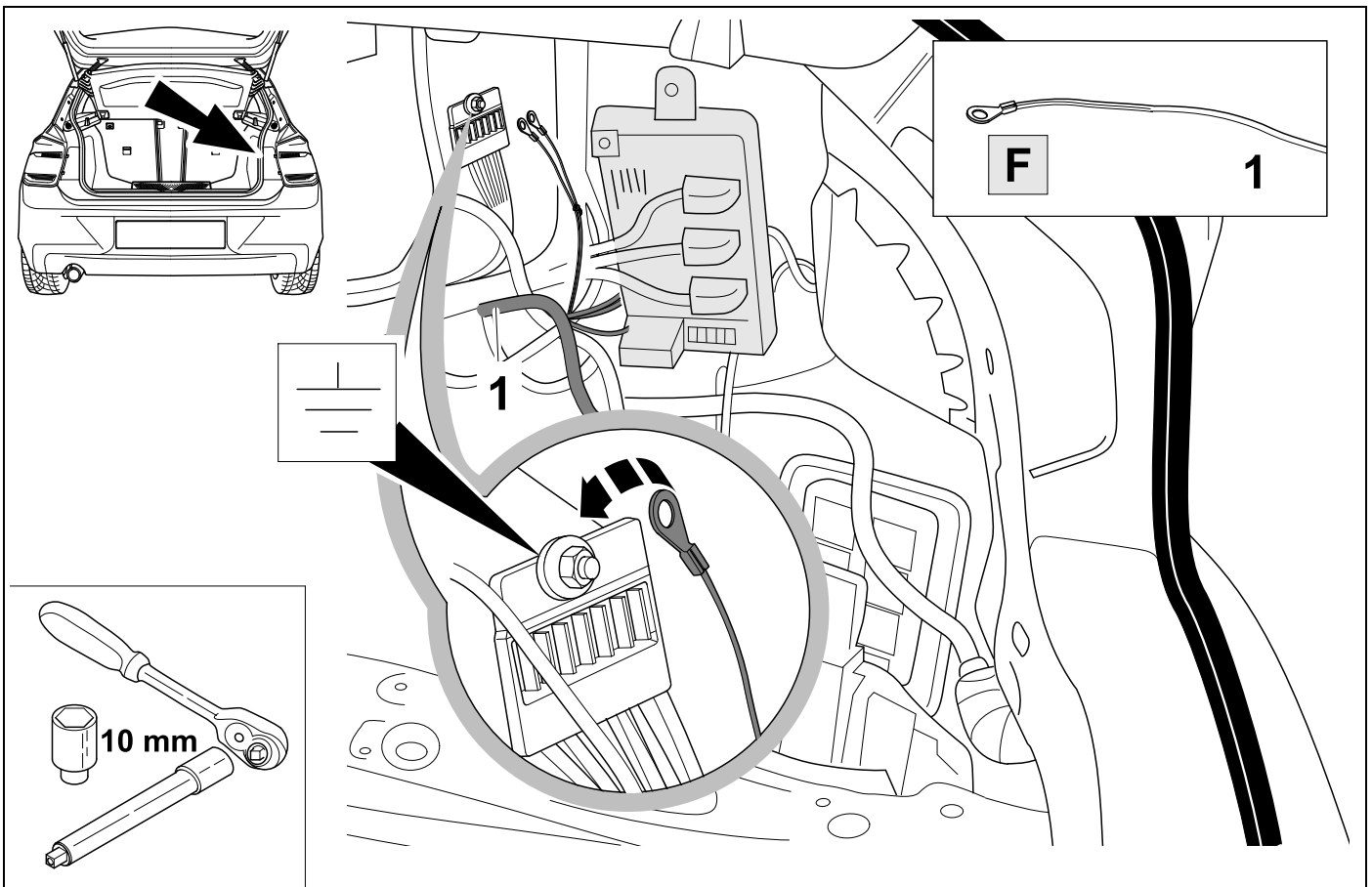
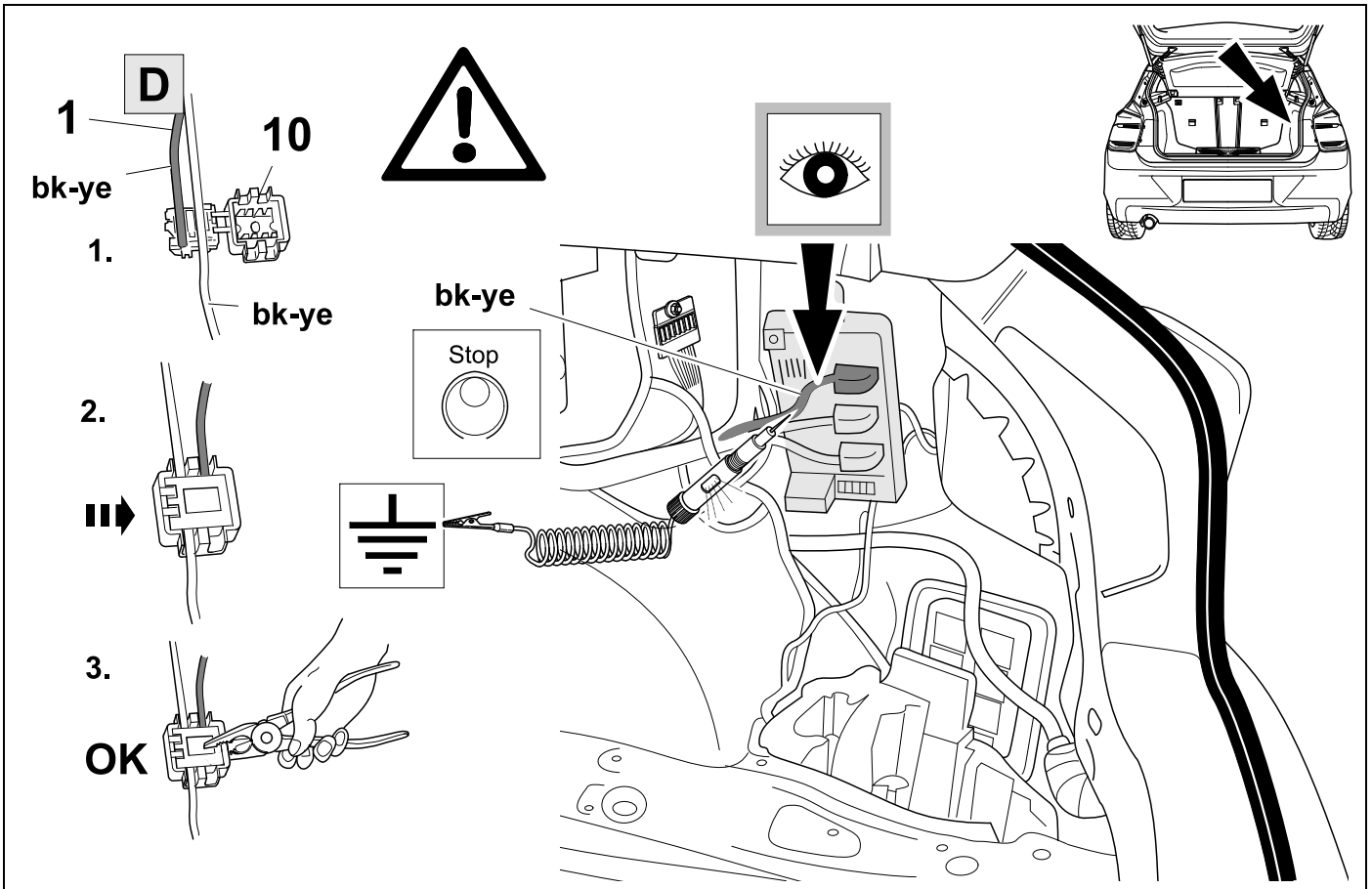
6



7

⇒ 20

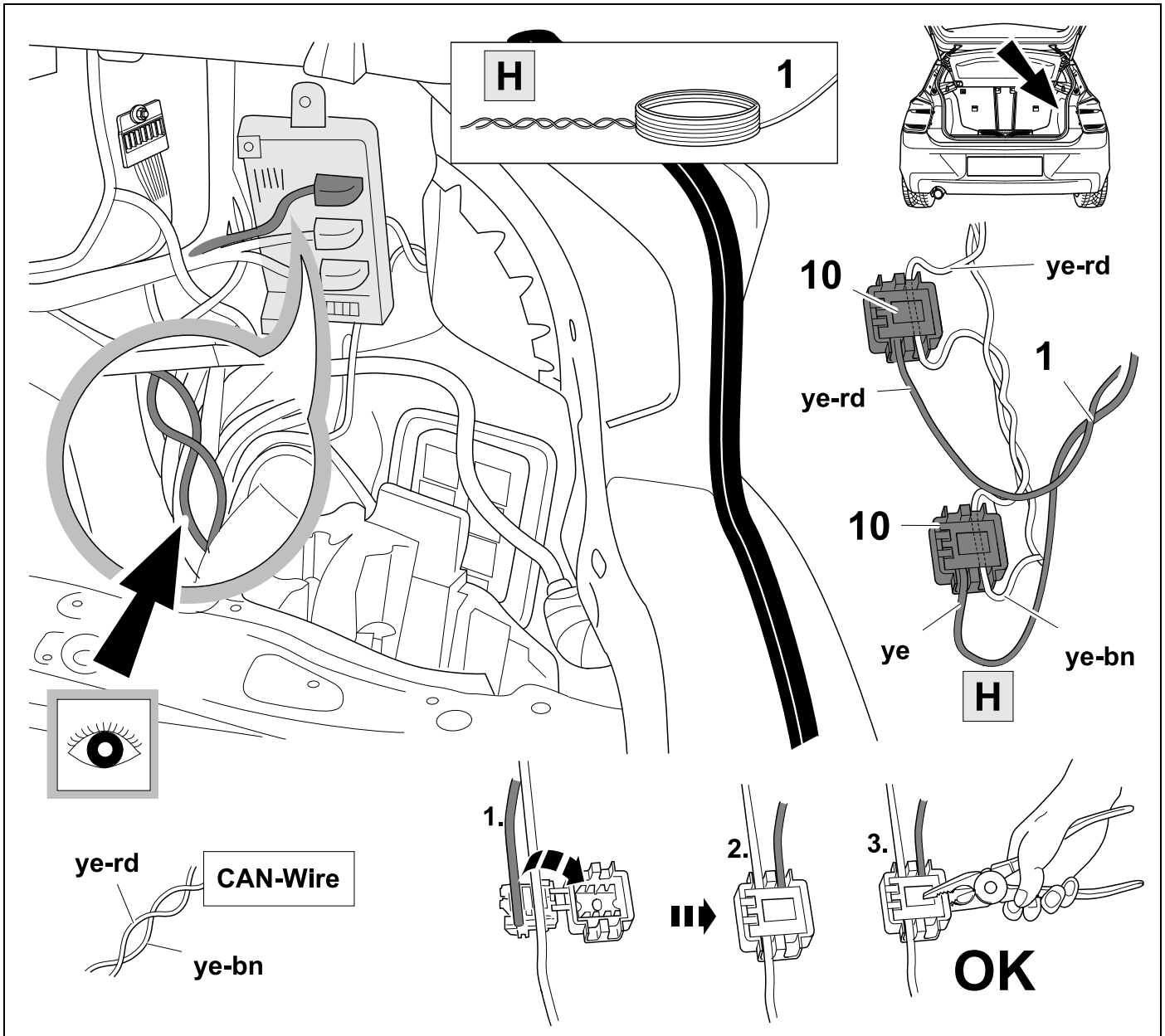




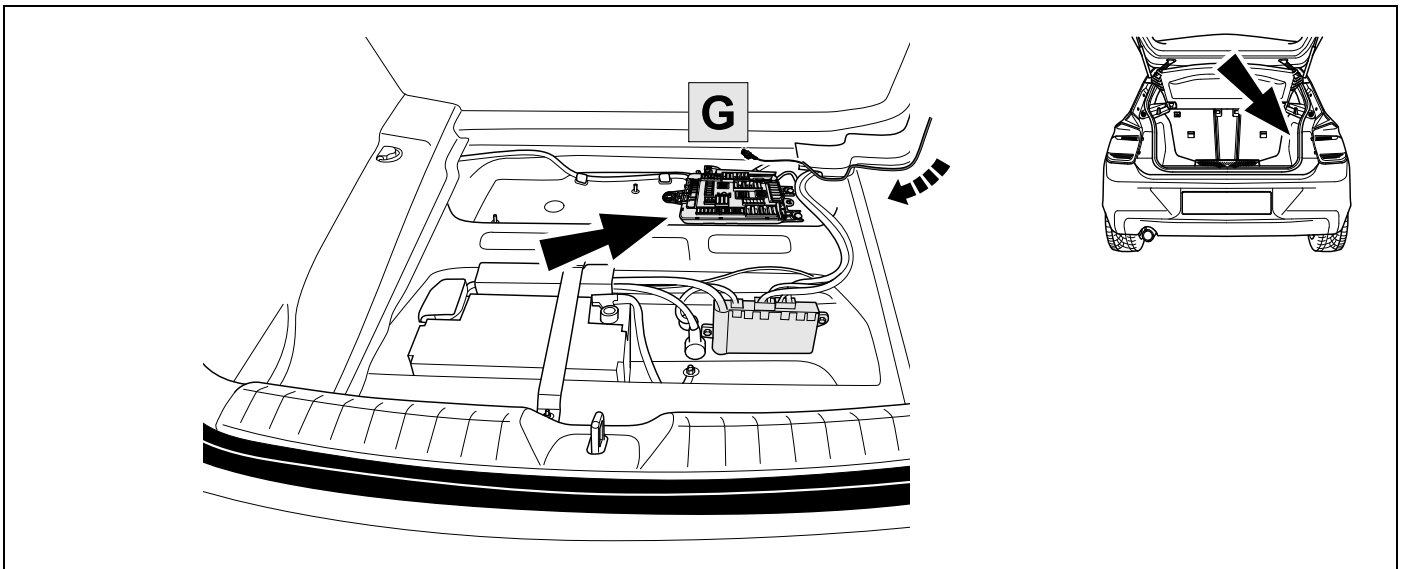
10



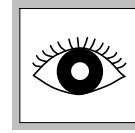
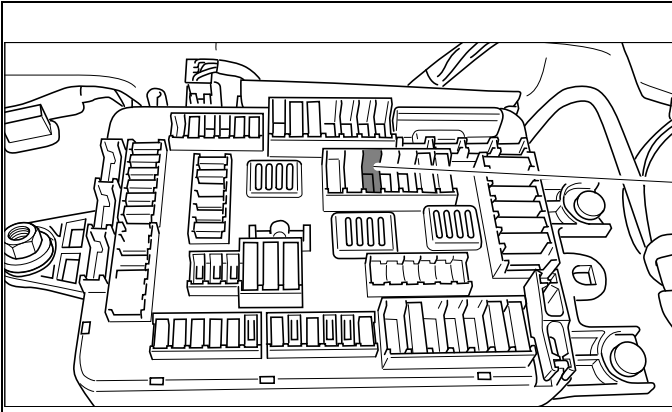
20



11



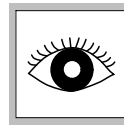
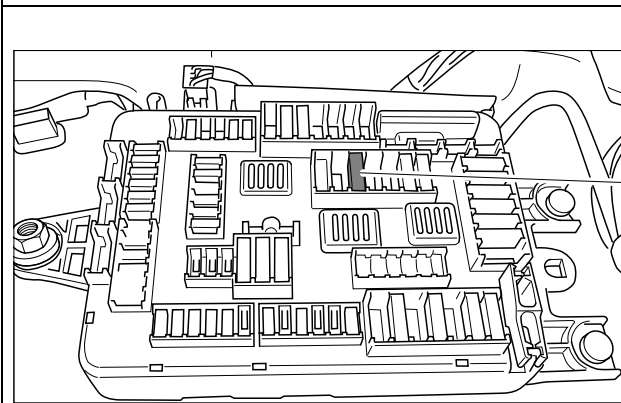
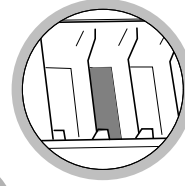
12



OPTION 1

13

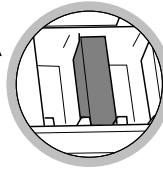
F113



OPTION 2

14 - 28

F113 20A

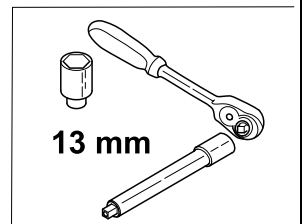
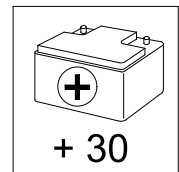
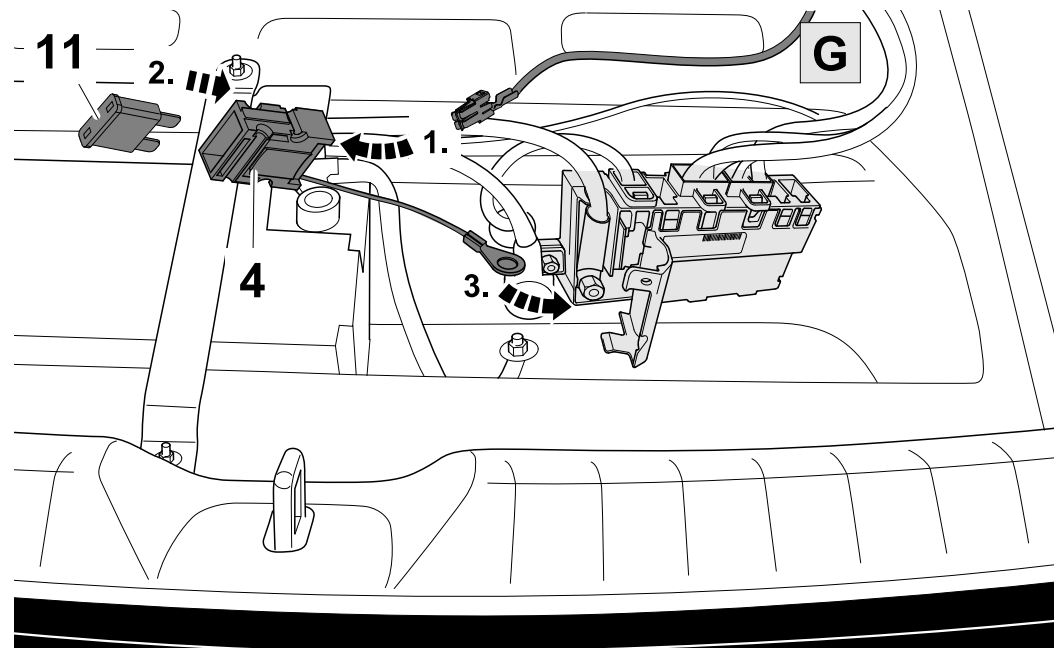
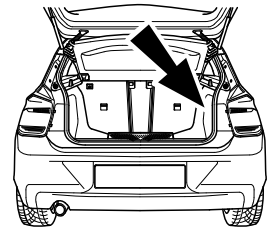
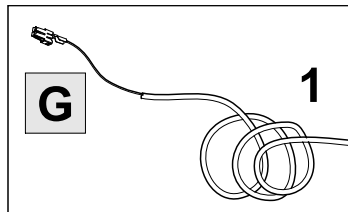
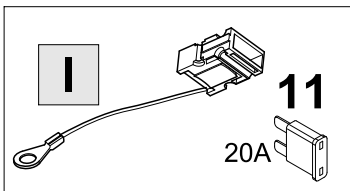


13

OPTION 1



25

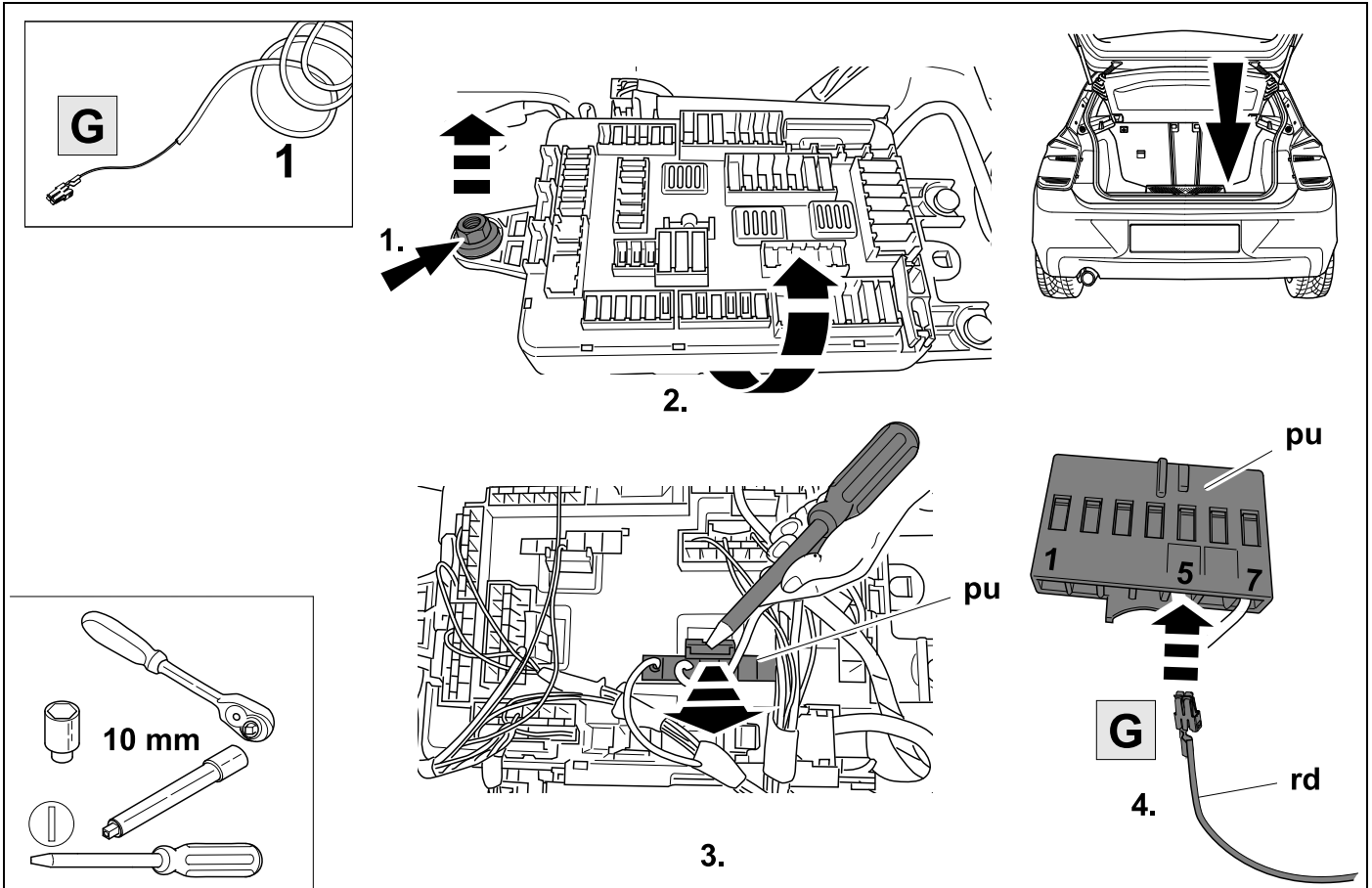


14

OPTION 2



25

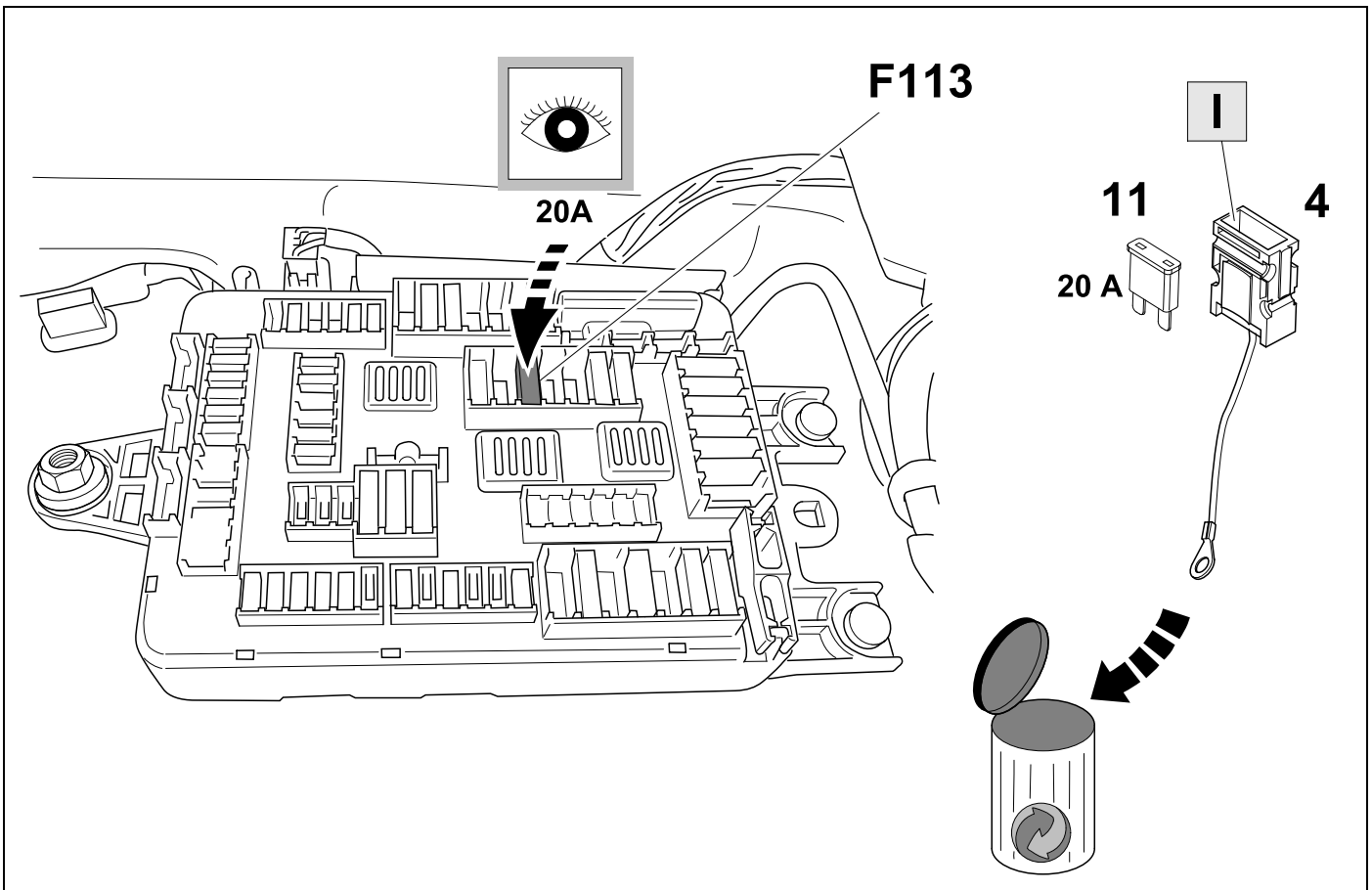


15

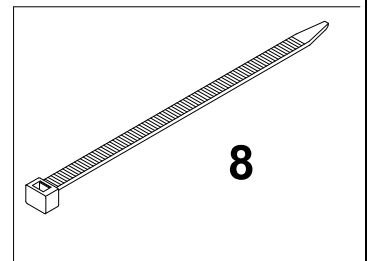
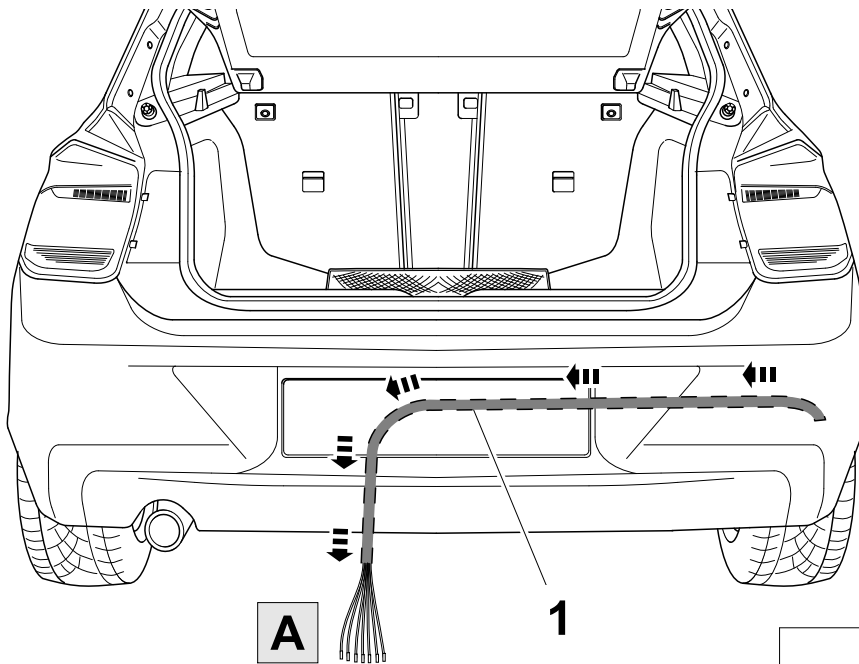
OPTION 2



25



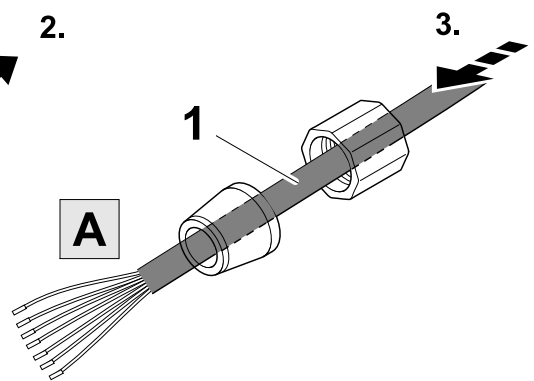
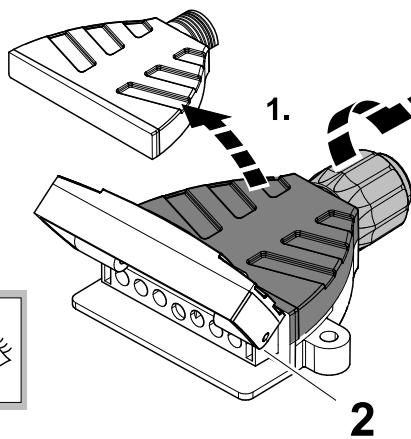
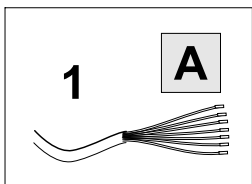
16



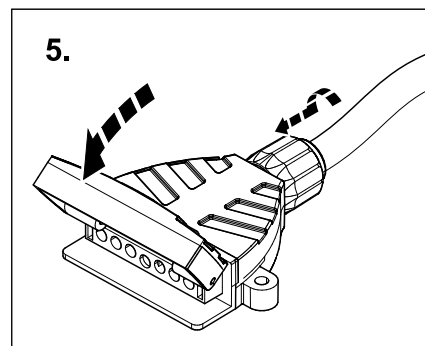
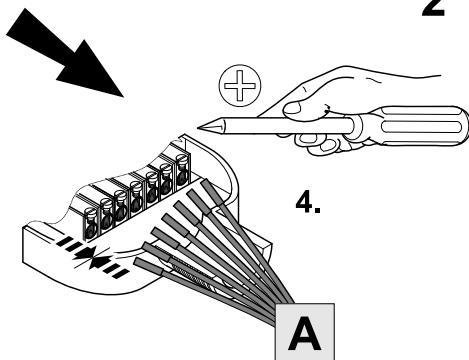
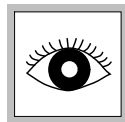
17



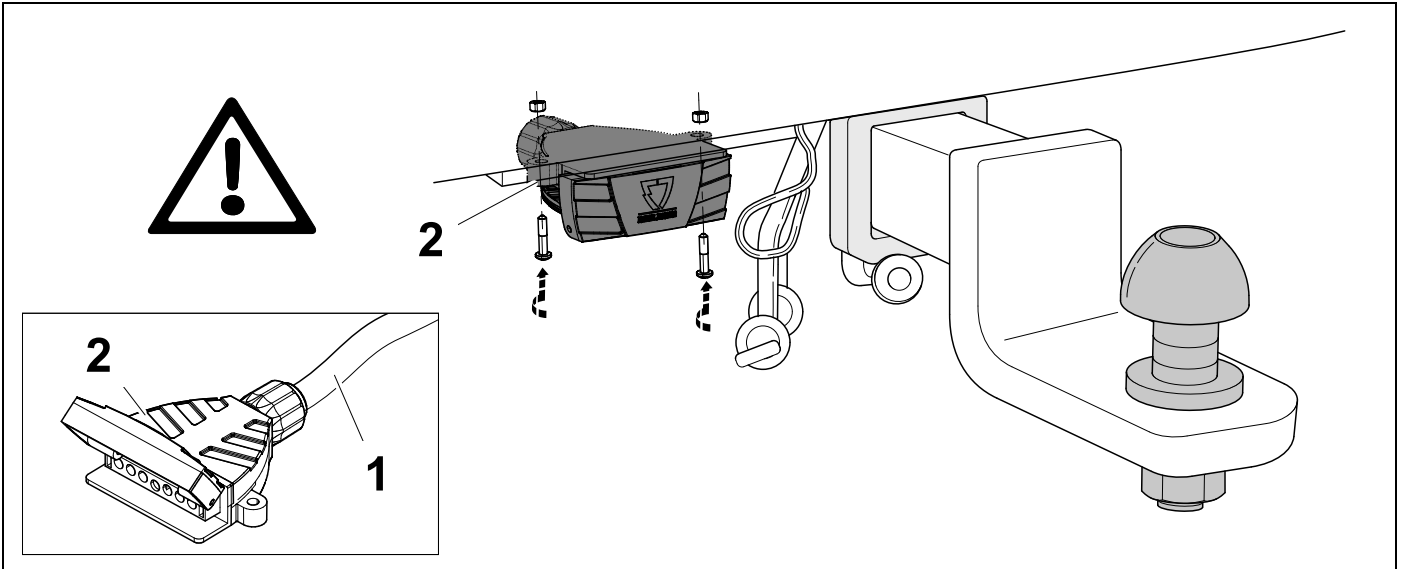
19



- | | | |
|----|---|--|
| gn | 4 | |
| bn | 7 | |
| bk | 2 | |
| wh | 3 | |
| bu | 5 | |
| rd | 6 | |
| ye | 1 | |



18



19



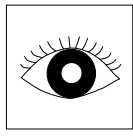
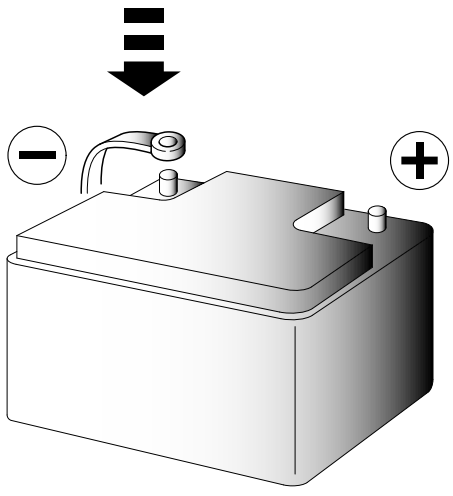
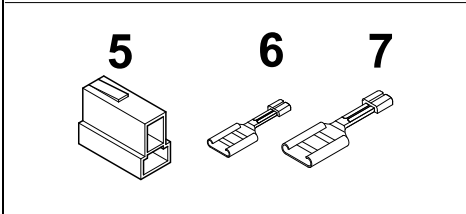
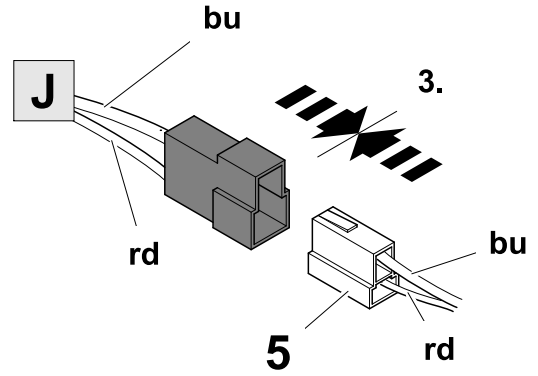
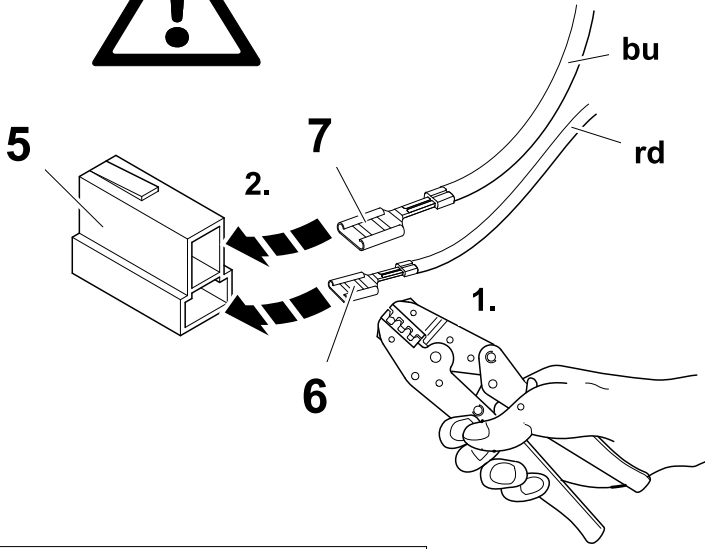
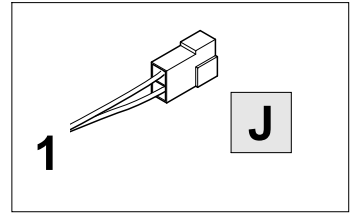
20

1	ye	
2	bk	
3	wh	
4	gn	
5	bu	
6	rd	
7	bn	

20	bk	wh	gy	gn	rd	bu	ye	bn	pu	or	no
	black	white	grey	green	red	blue	yellow	brown	purple	orange	not occupied

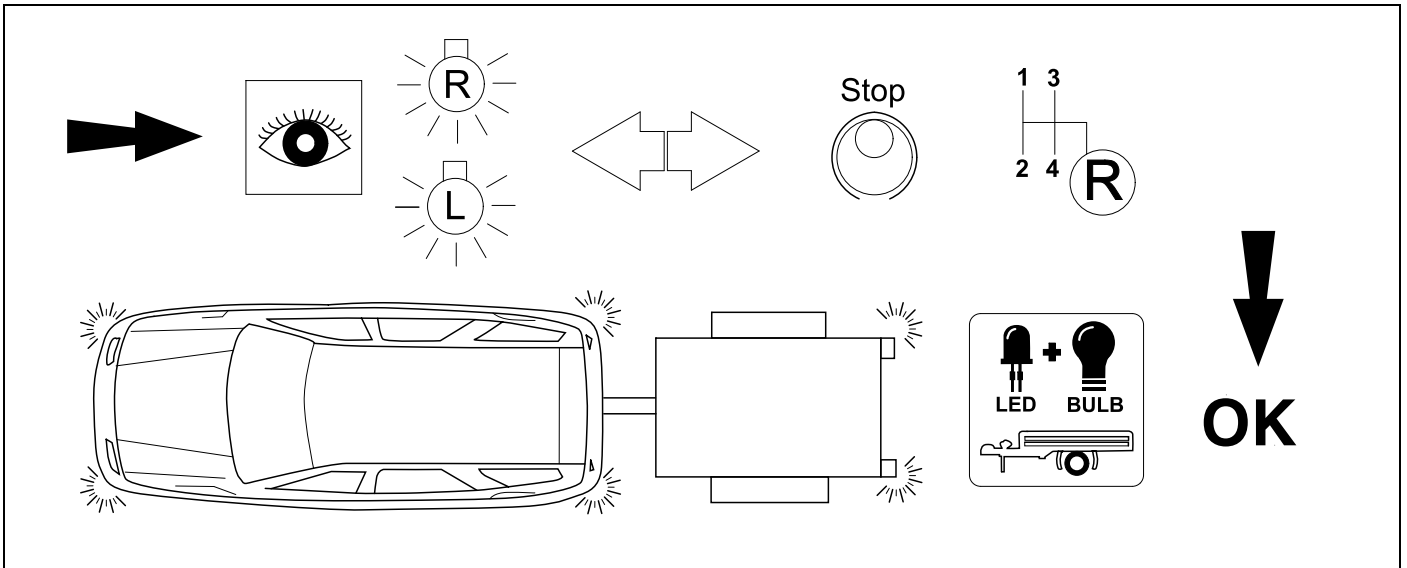


Trailer Brake Preparation



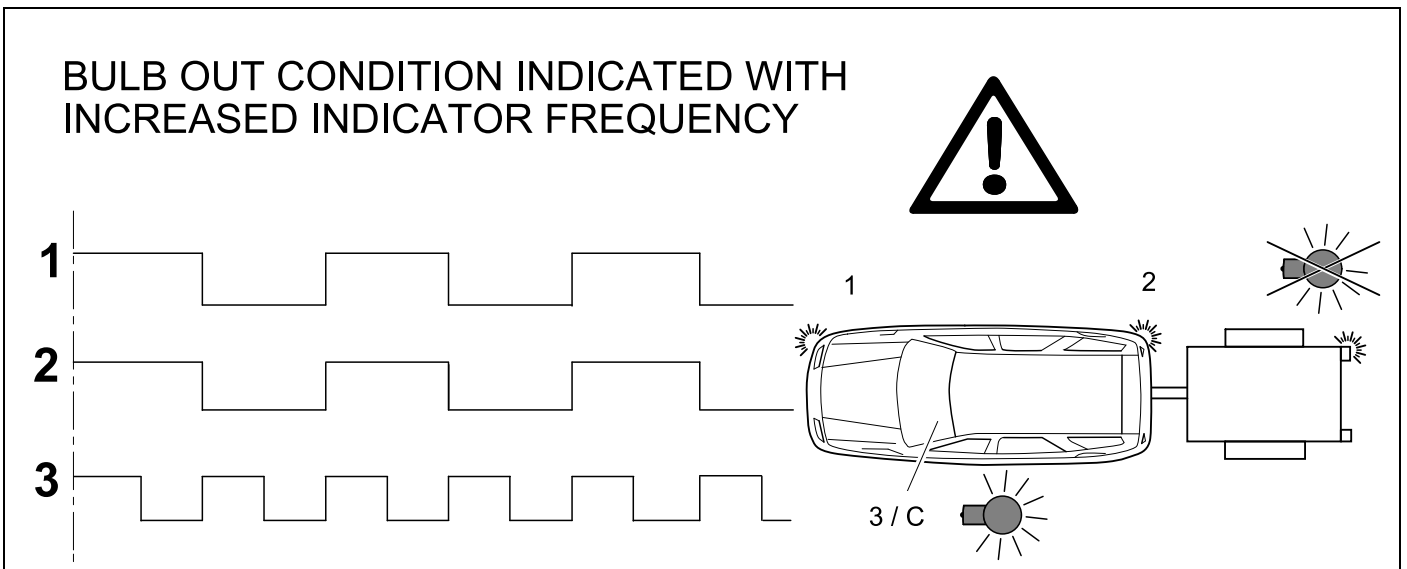
23

CHECK ALL LIGHTING FUNCTIONS



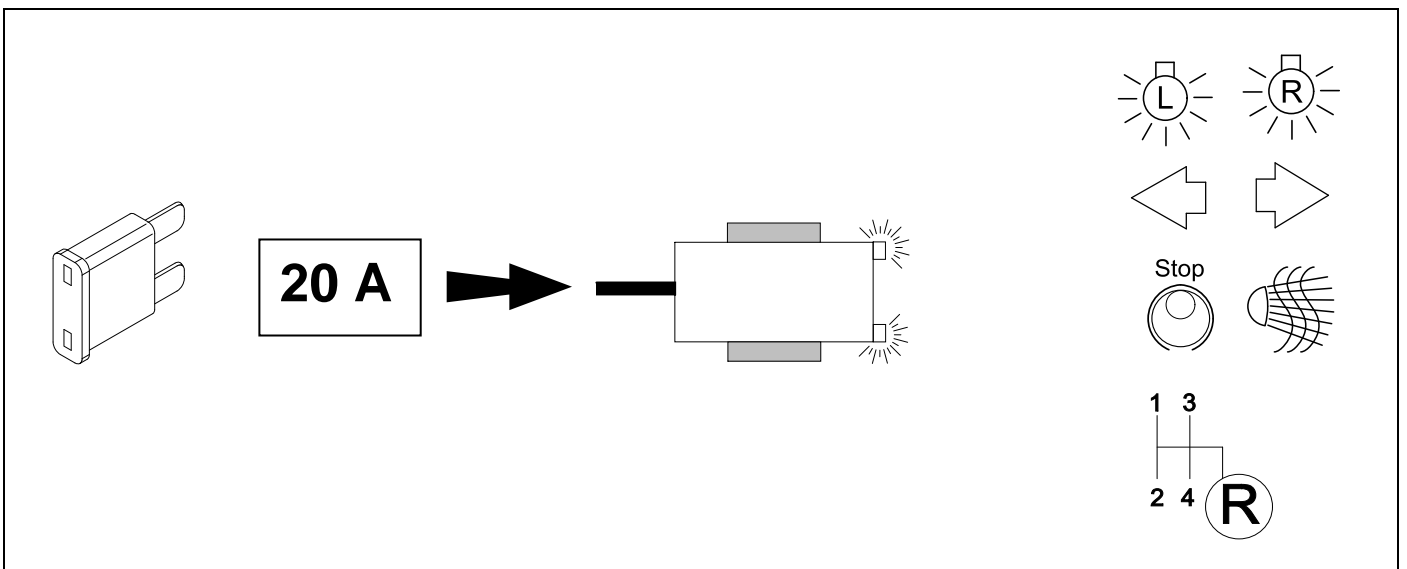
24

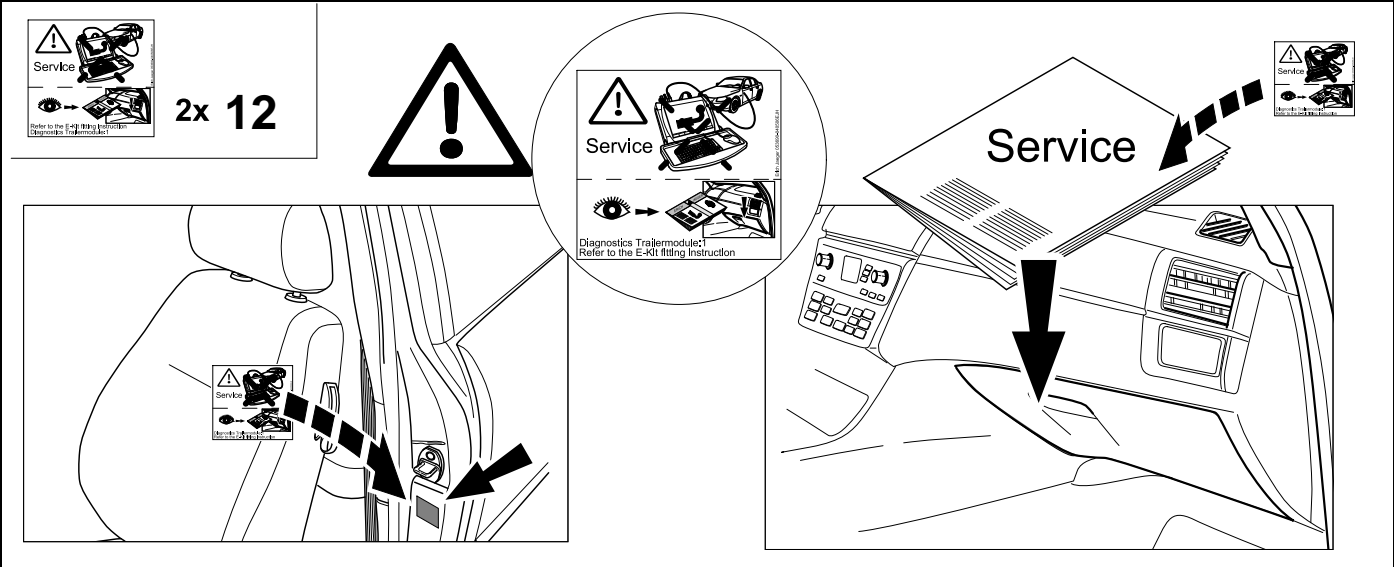
CHECK BULB OUT DETECTION



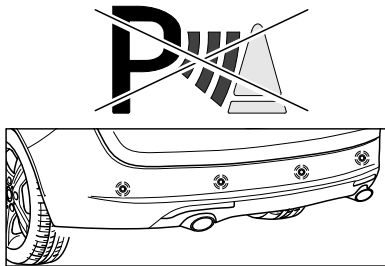
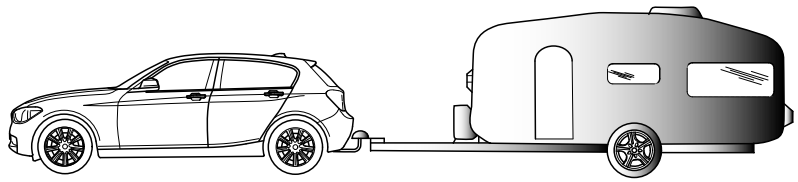
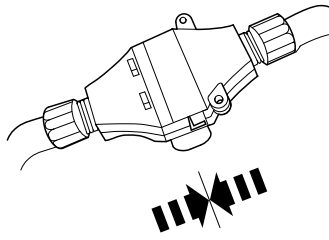
25

⇒ 13 + 15





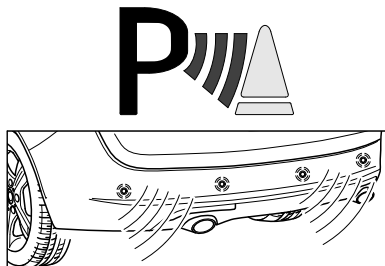
If the PDC does not automatically deactivate, coding and initialization of the module might be required.



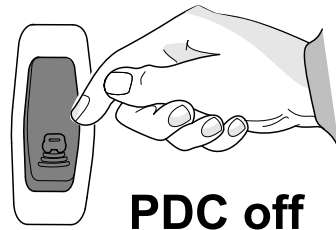
OPTION 1



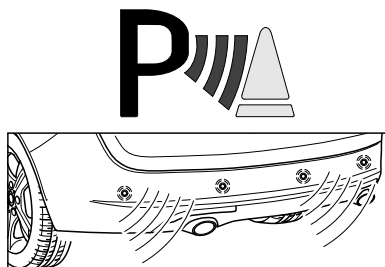
No Coding



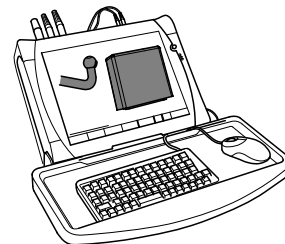
OPTION 2



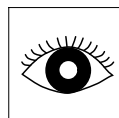
PDC off



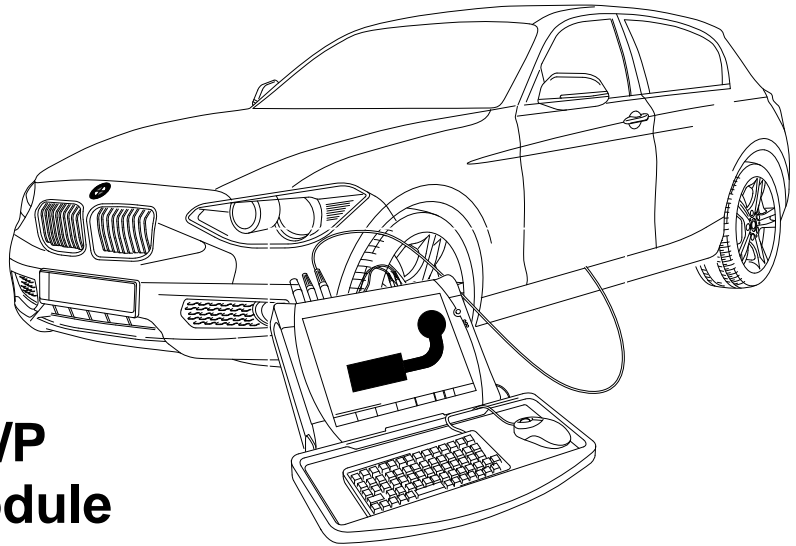
OPTION 3



BMW Service ISTA/P
Initialize Trailer Module



28



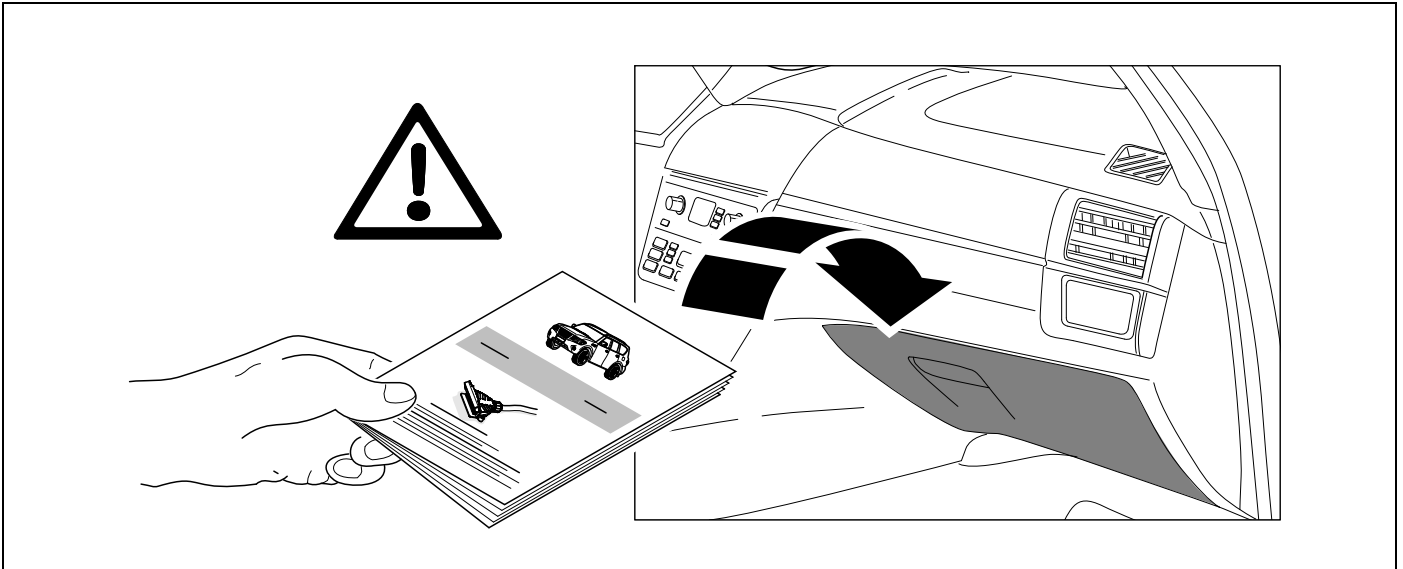
BMW Service ISTA/P Initialize Trailer Module



Please effect coding as follows:

- Connect computer to vehicle
- Start ISTA/P
- Click "Modification / Upgrades"
- Scan Action plan
- Click „Coding (Ethernet)“
- Scan Action program follow-up
- Final report checking

After the effected connection, the rear park assist system will also automatically be deactivated in trailer operation!



Subject to change in terms of construction, equipment and colour, and may contain errors.
The information and illustrations are non-binding.