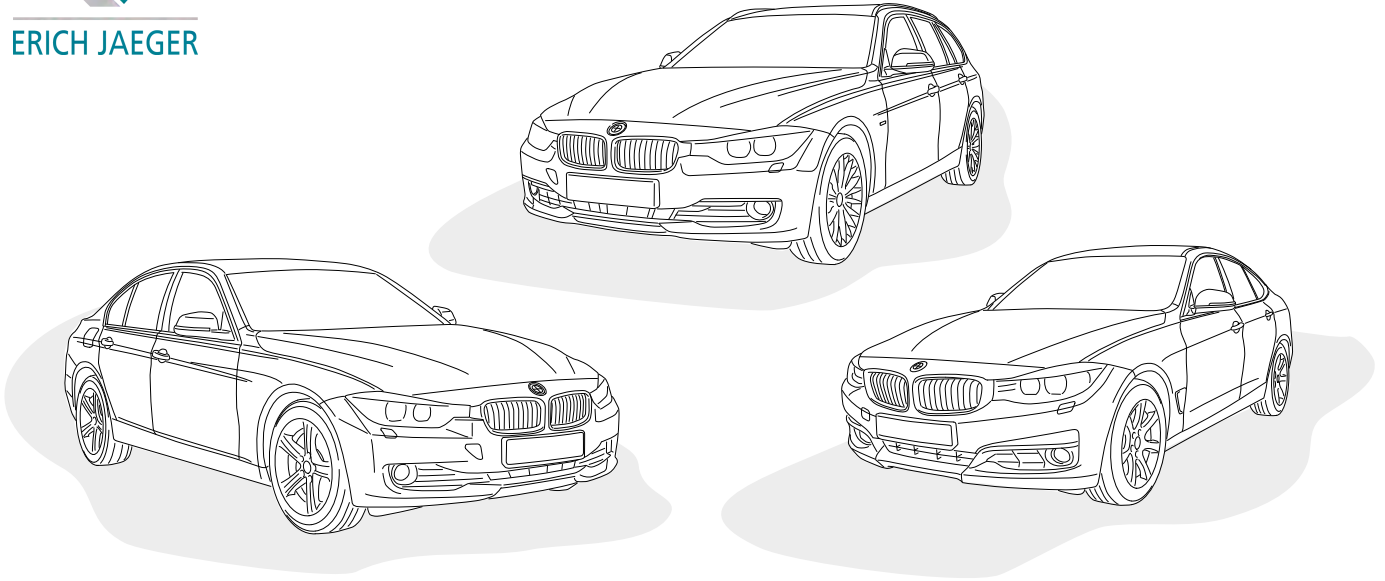




ERICH JAEGER

# Installation instructions

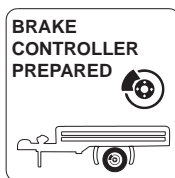
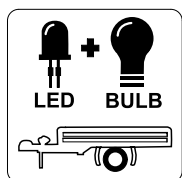
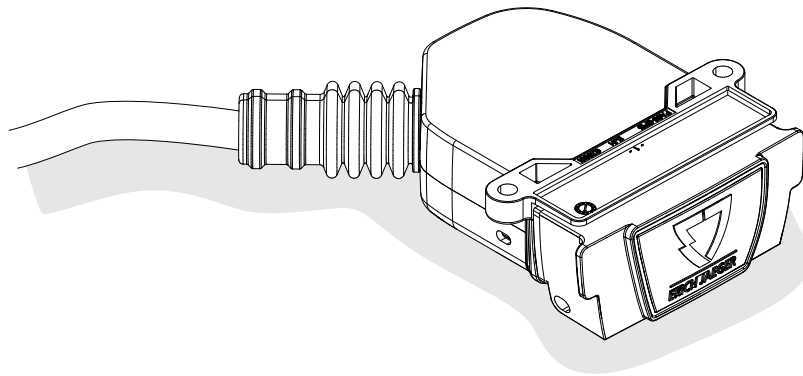


## 750061EJ

<b>BMW 3-Serie Limousine</b>	<b>F30</b>	<b>03/14 &gt;&gt;</b>
<b>BMW 3-Serie Touring</b>	<b>F31</b>	<b>03/14 &gt;&gt;</b>
<b>BMW 3-Serie Gran Turismo</b>	<b>F34</b>	<b>03/14 &gt;&gt;</b>



SCAN FOR  
LATEST  
INSTRUCTIONS



### Reference:

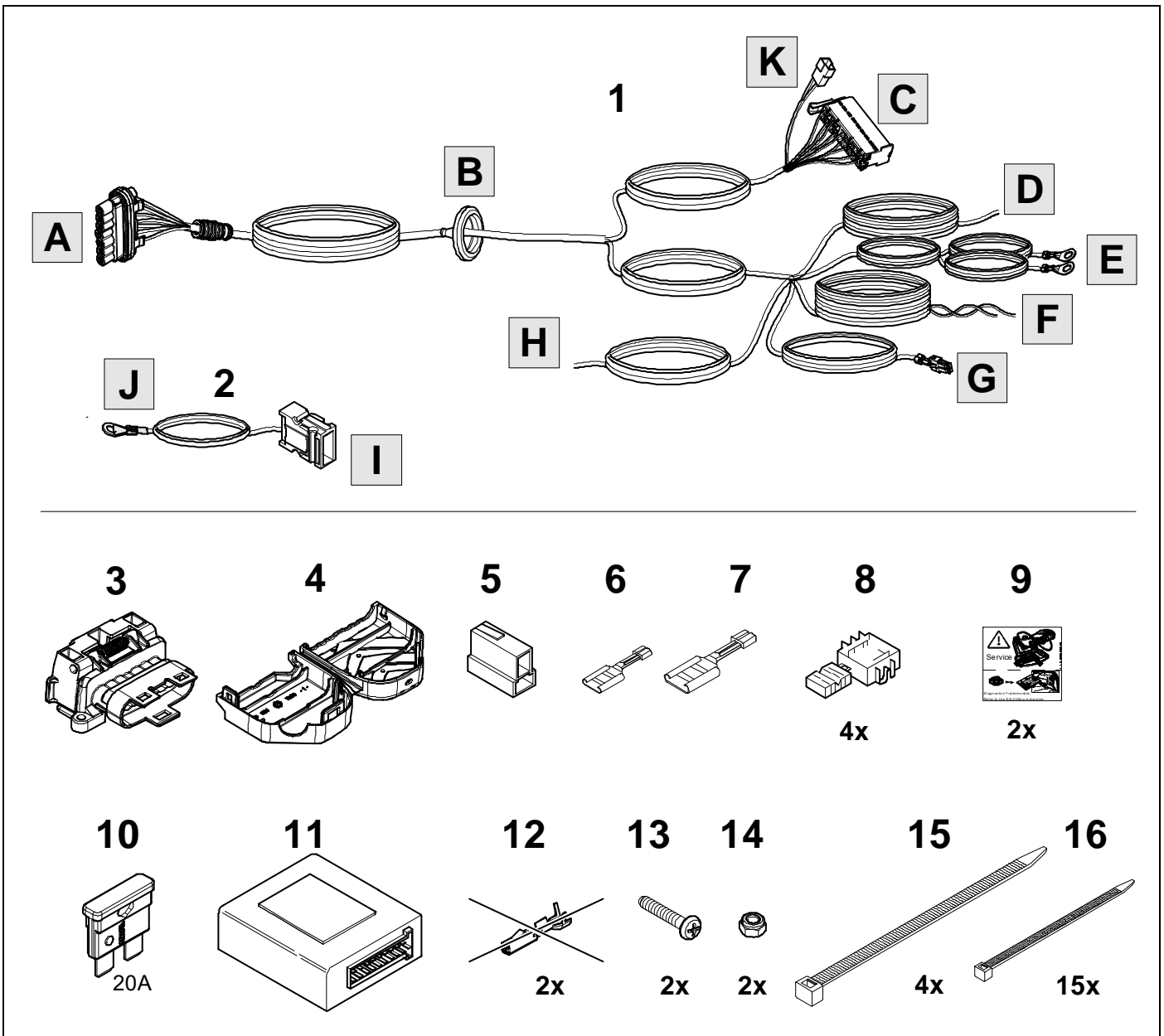
The following information must be reviewed before beginning the assembly:

The installation instructions are to be thoroughly read.

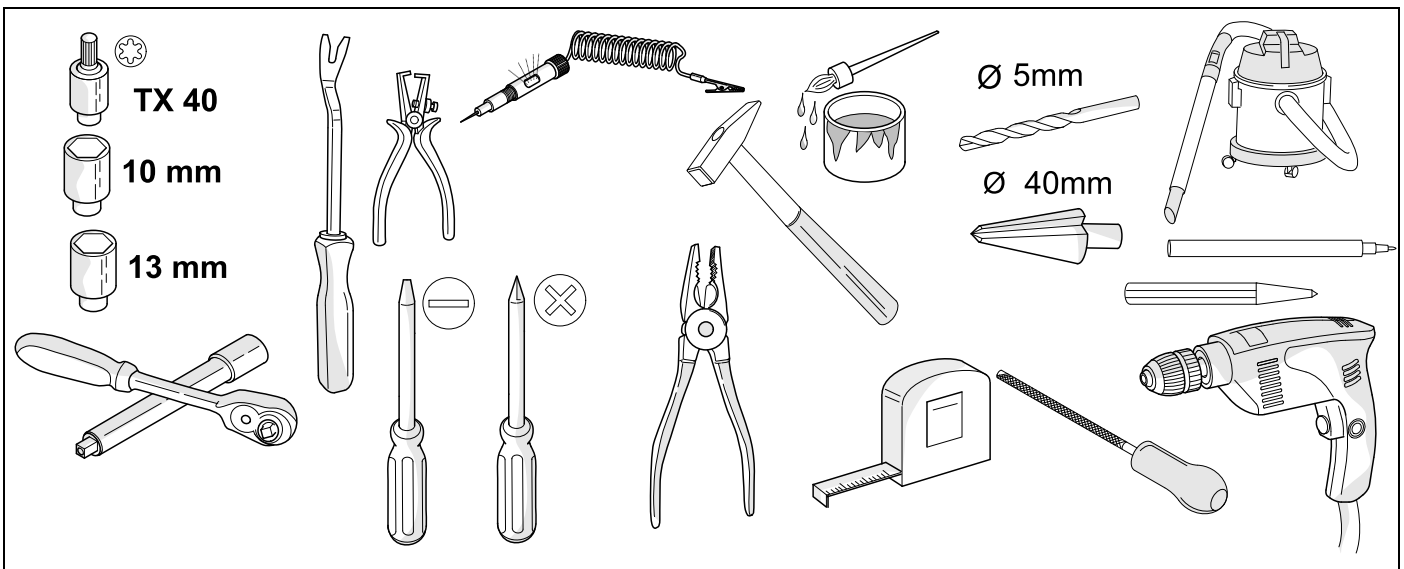
The installation should be carried out by qualified personnel with the relevant technical knowledge. The vehicle manufacturers' current technical notices and information on retrofitting must be followed. The removal and replacement instructions found in the current repair manuals must be followed.

It must be ensured that the vehicle is technically suitable for the installation of a trailer hitch.

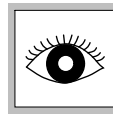
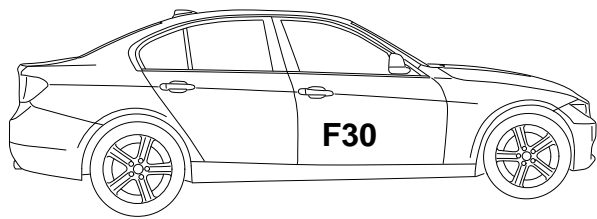
# KIT



# TOOLS

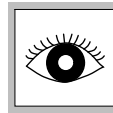
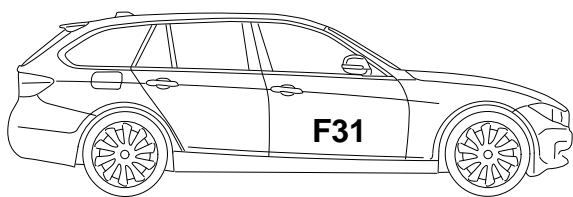


# OVERVIEW



**1** - **9**

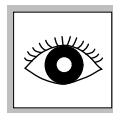
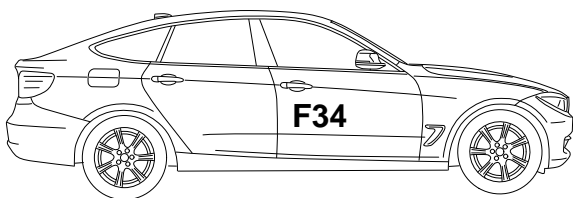
**24** - **40**



**1** - **2**

**10** - **16**

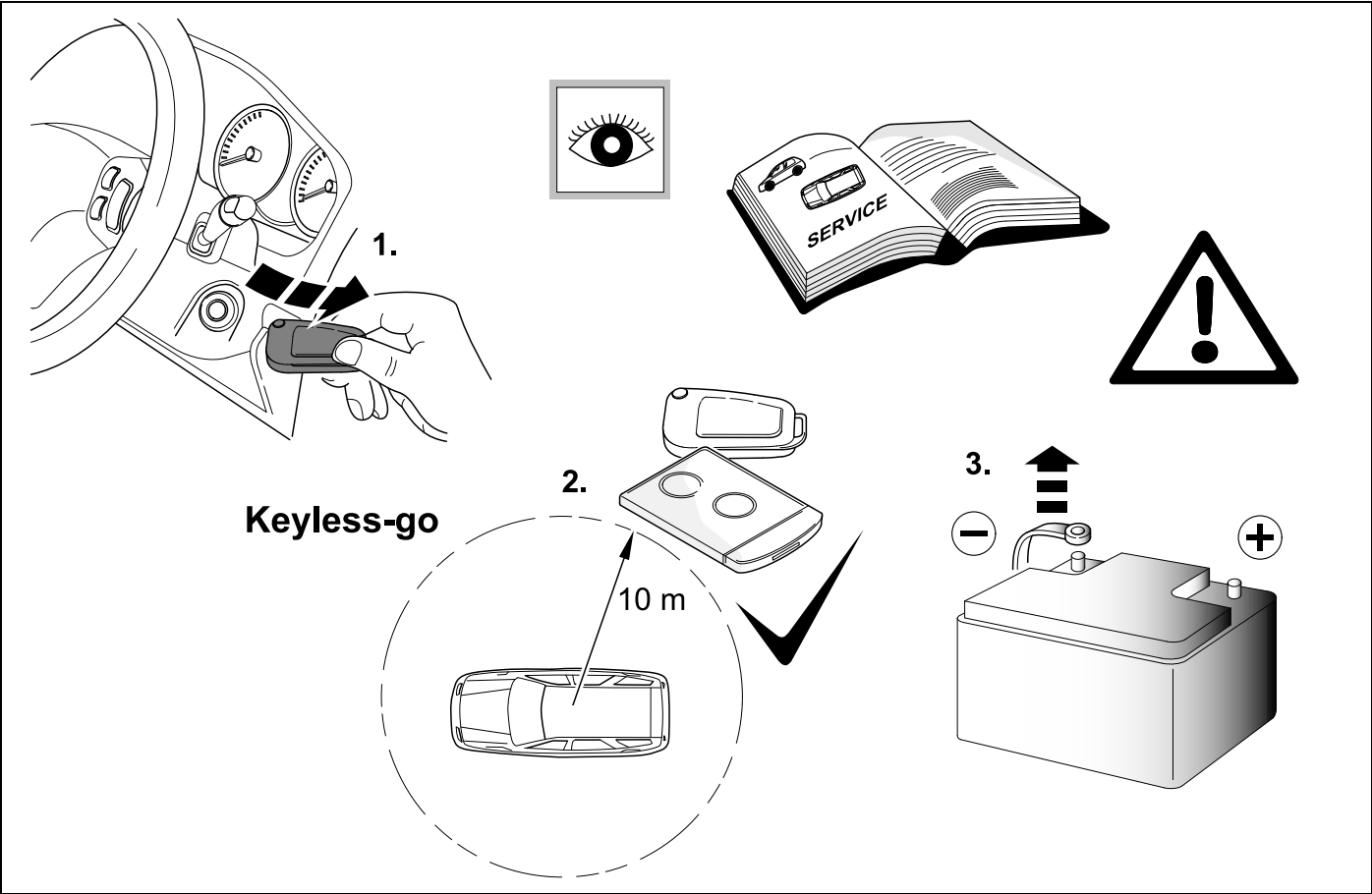
**24** - **40**

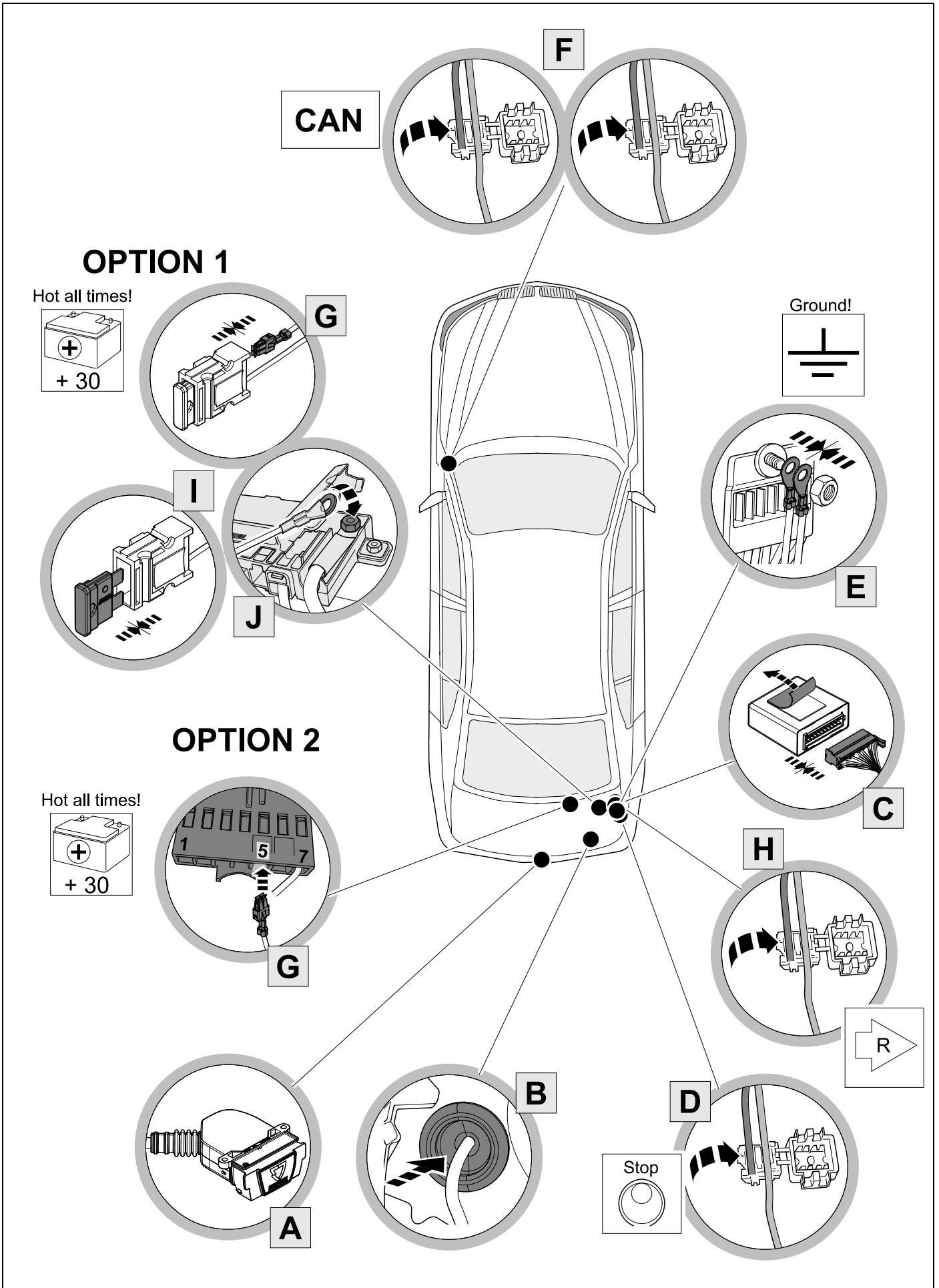


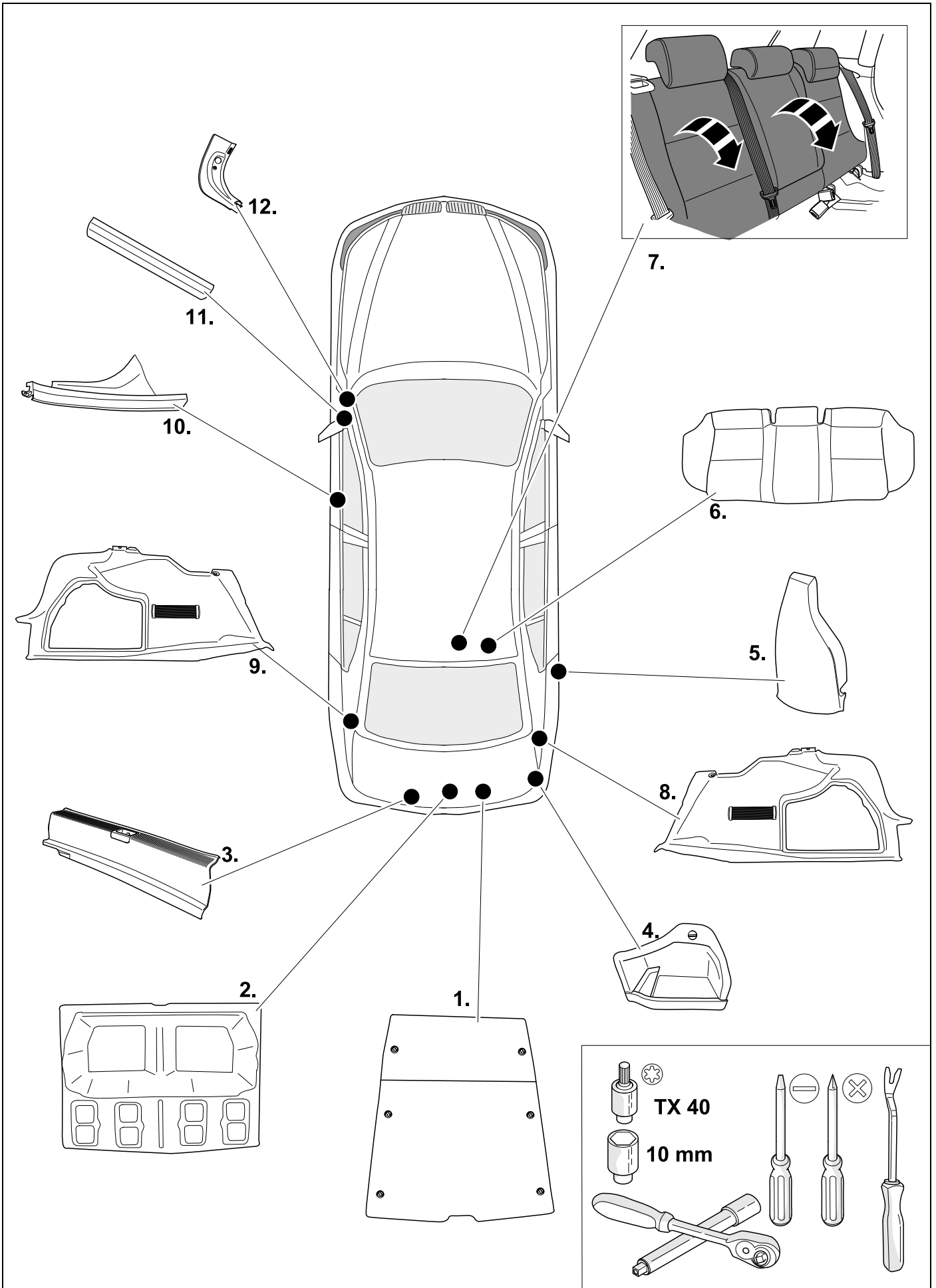
**1** - **2**

**17** - **40**

1

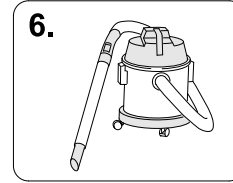
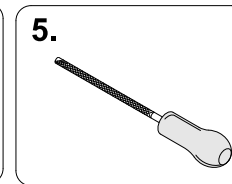
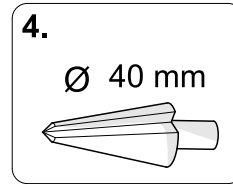
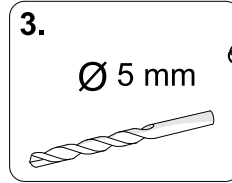
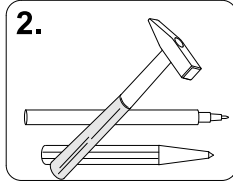
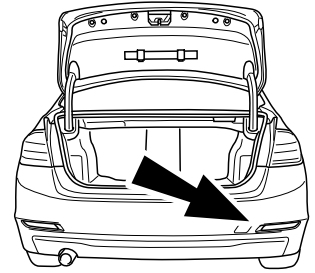
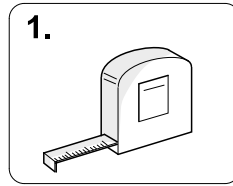
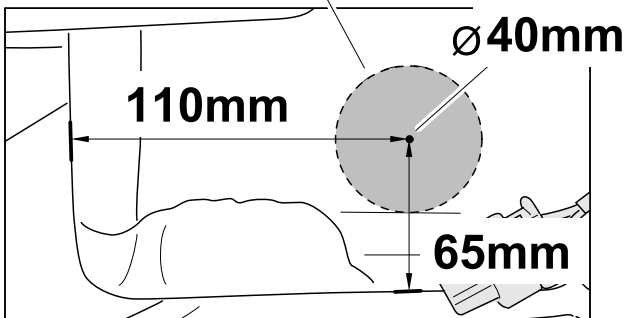
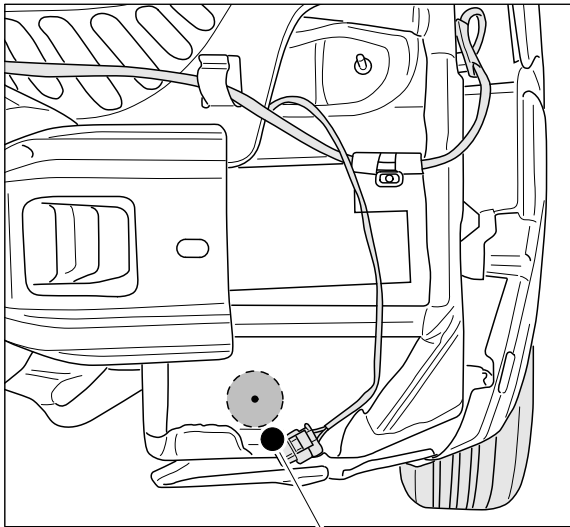






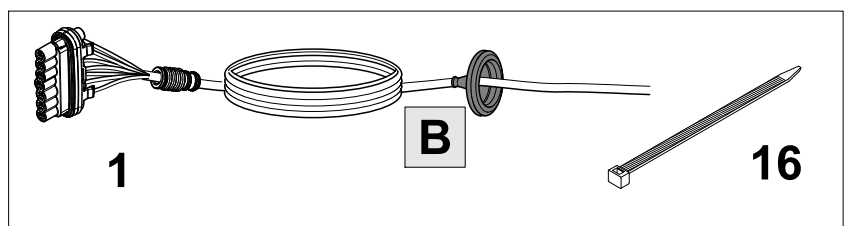
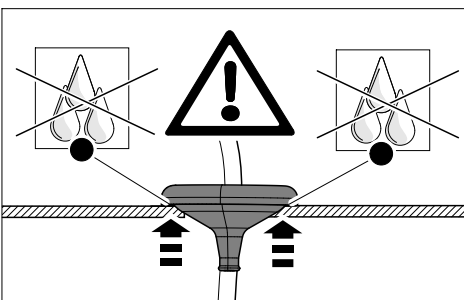
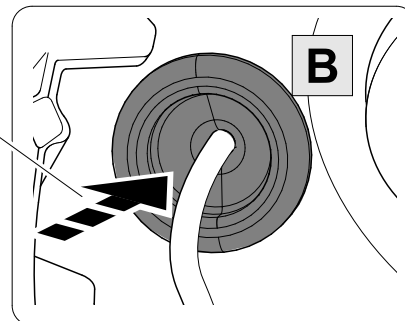
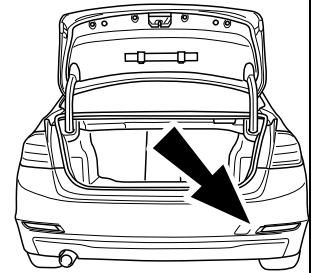
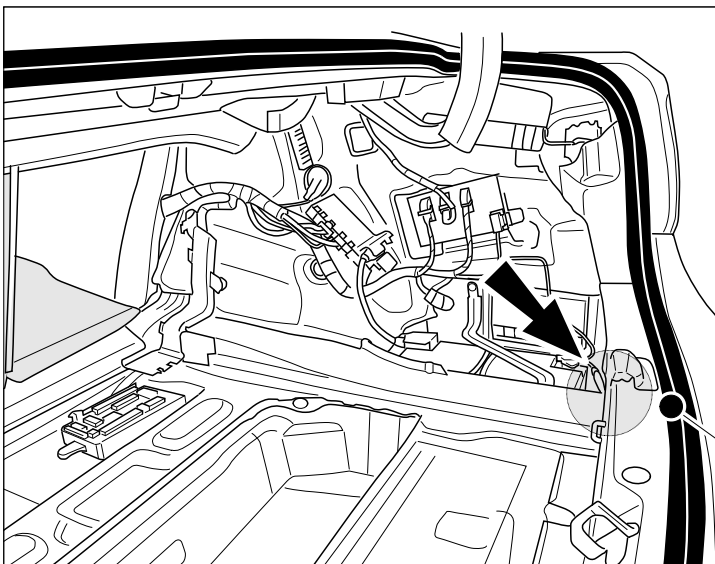
4

F30



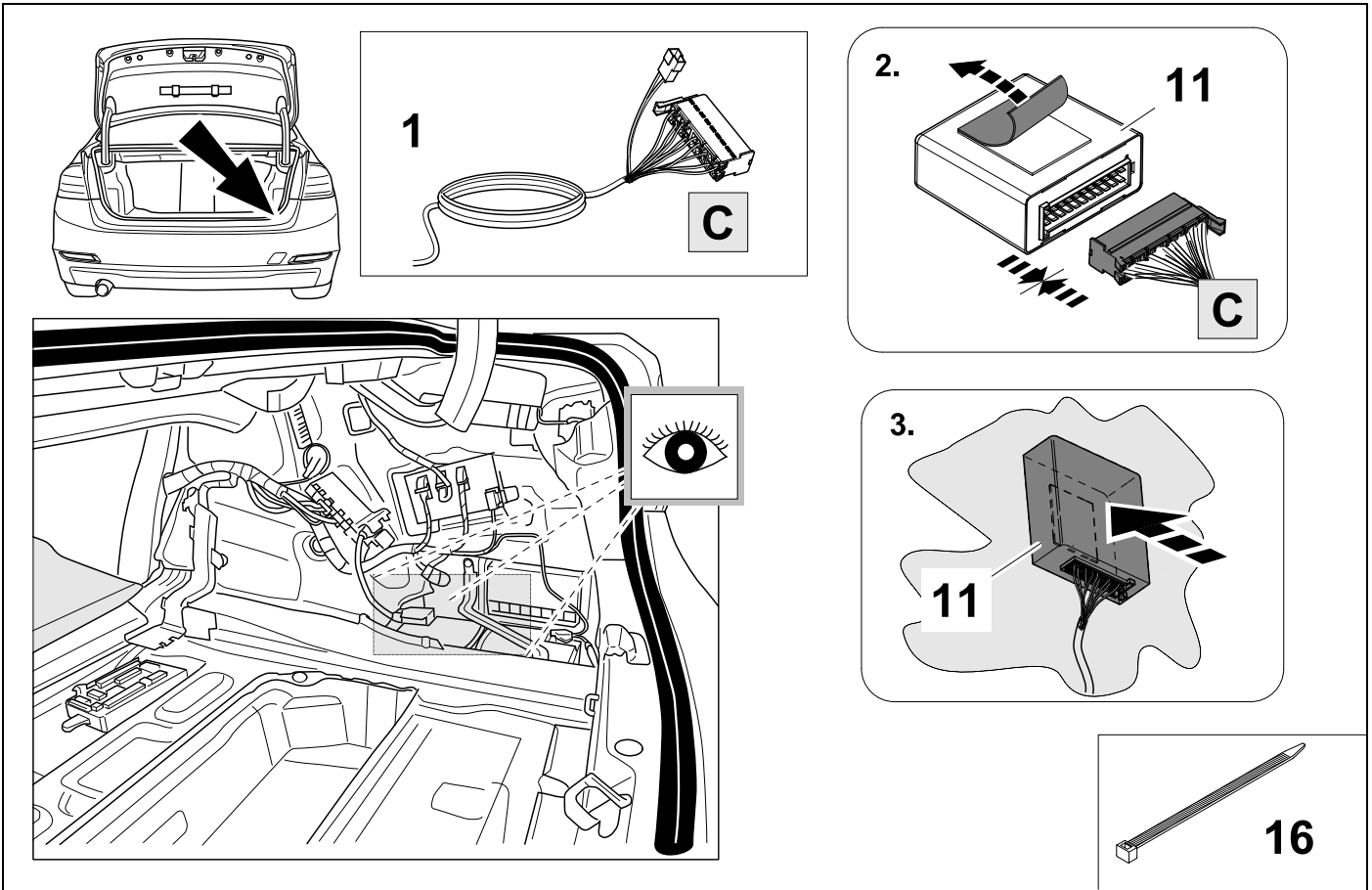
5

F30



6

F30

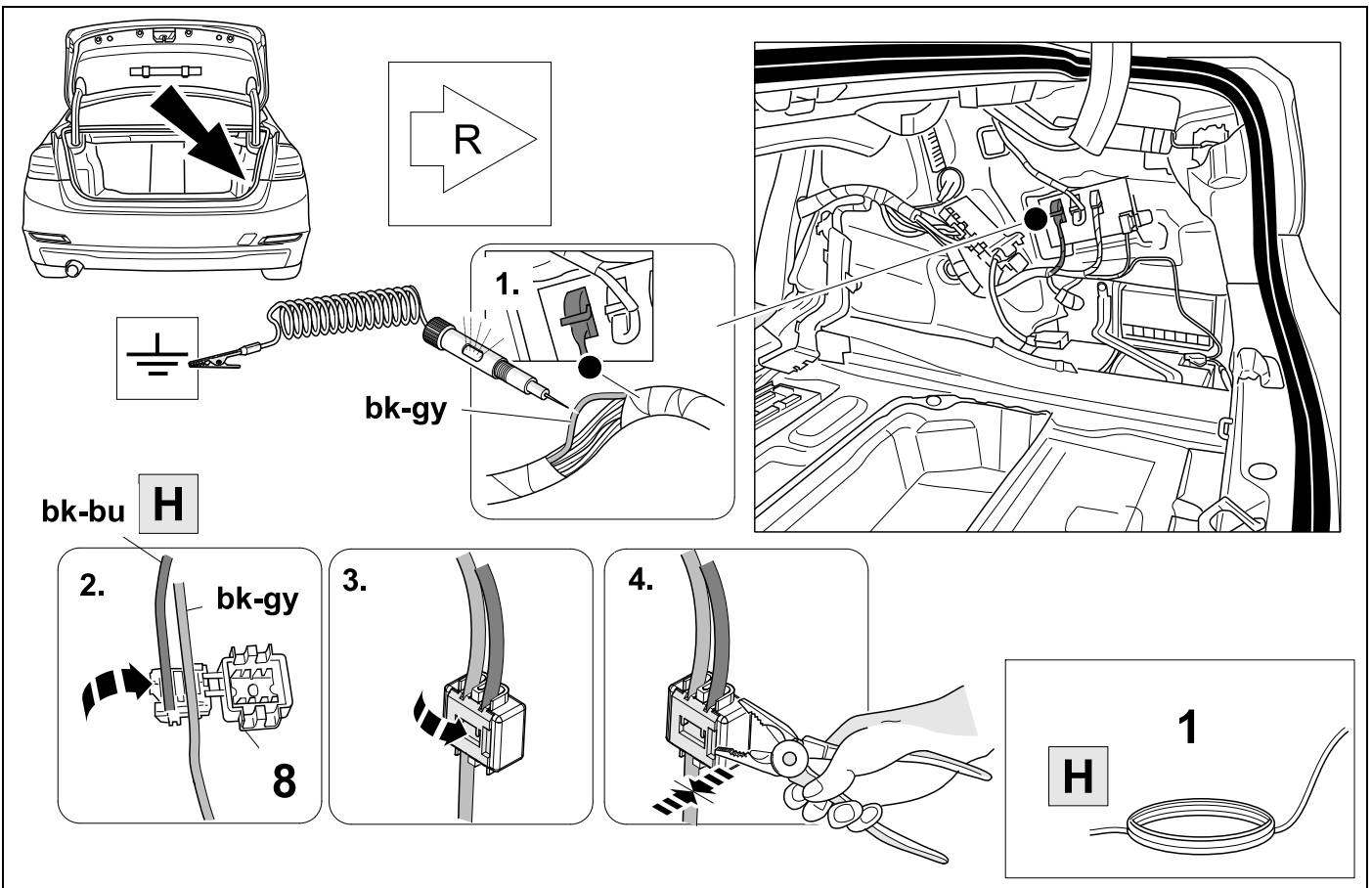


7



32

F30







**Stop**

1.

bk-ye

bk-ye **D**

2. bk-ye 8

3.

4.

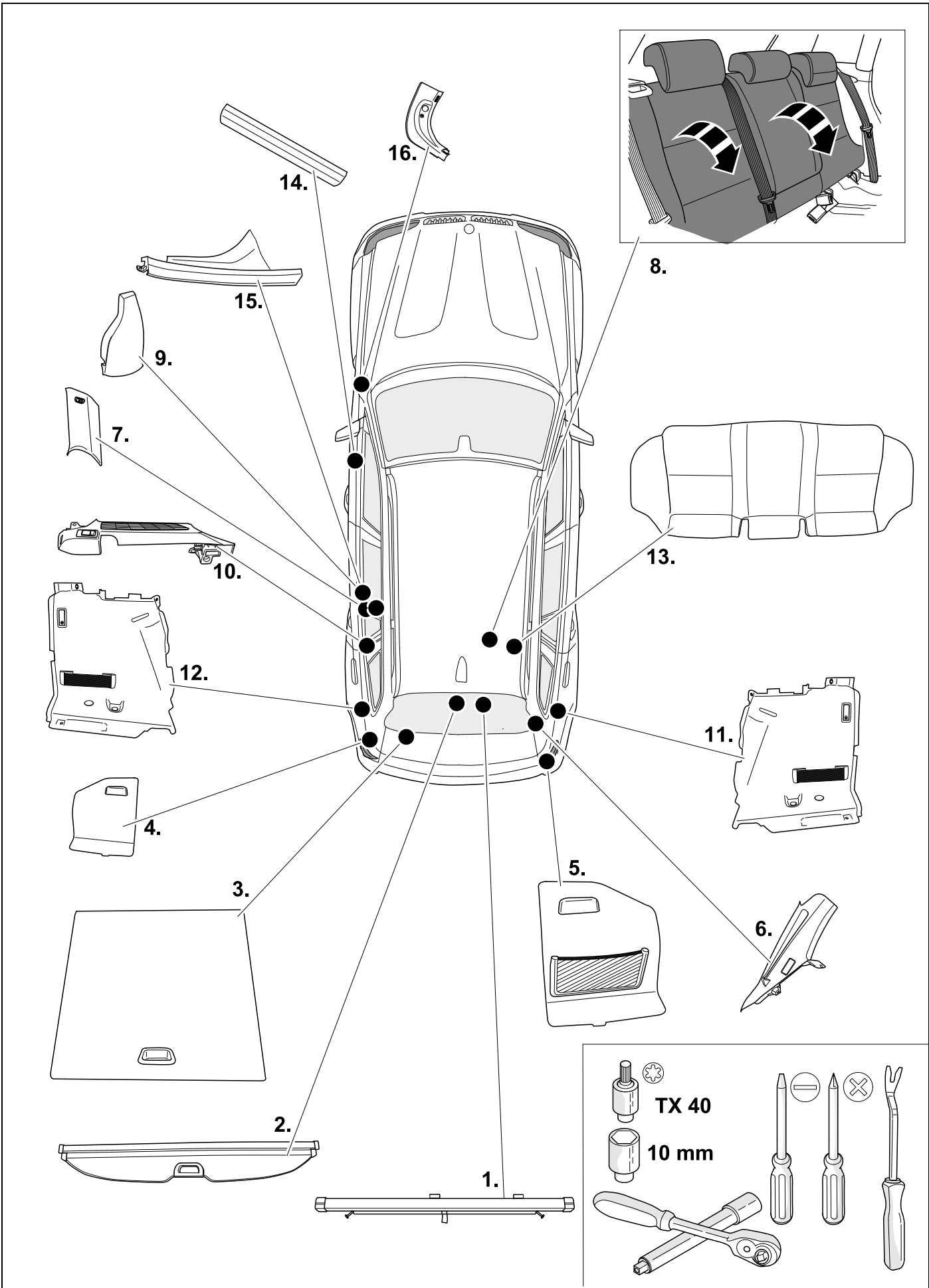
1 **D**

**Ground!**

**E**

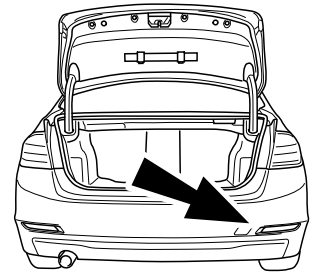
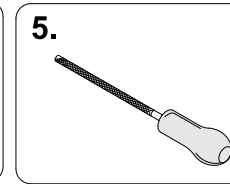
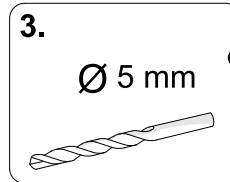
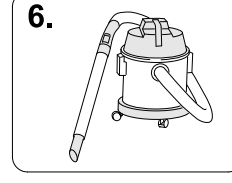
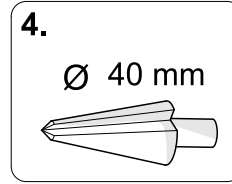
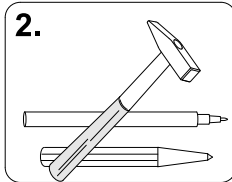
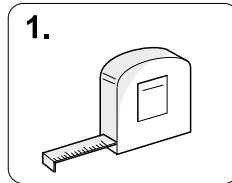
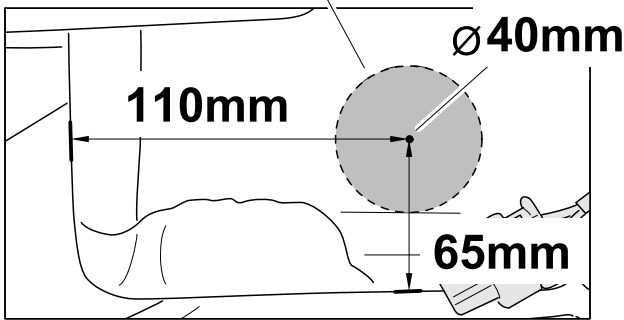
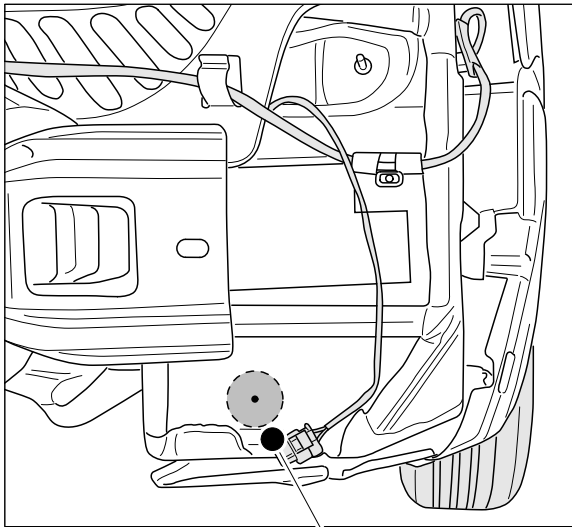
1 **E**

10 mm



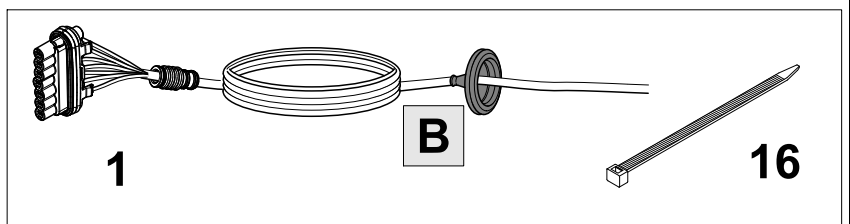
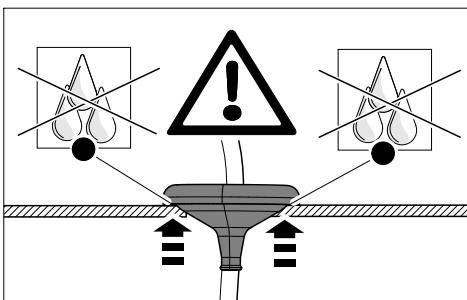
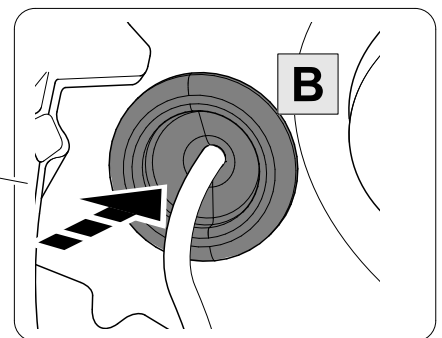
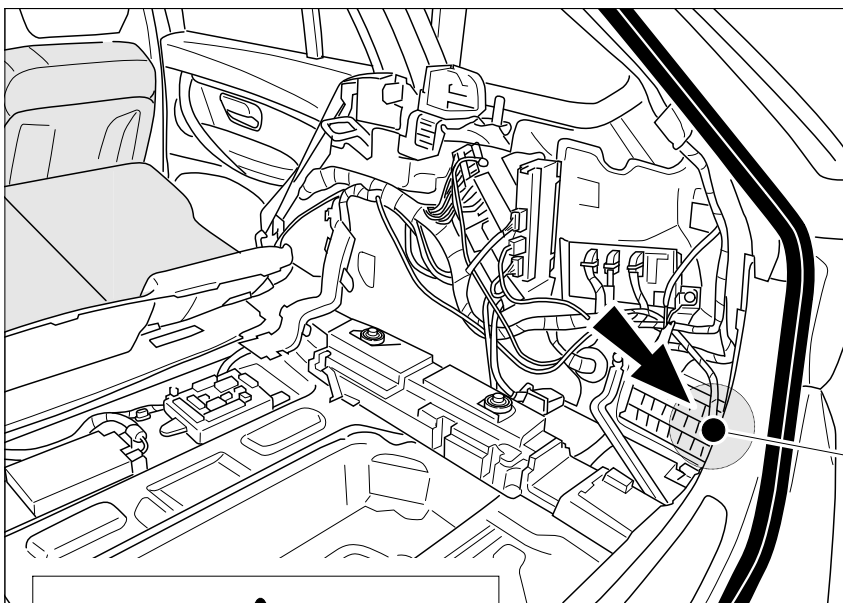
11

F31



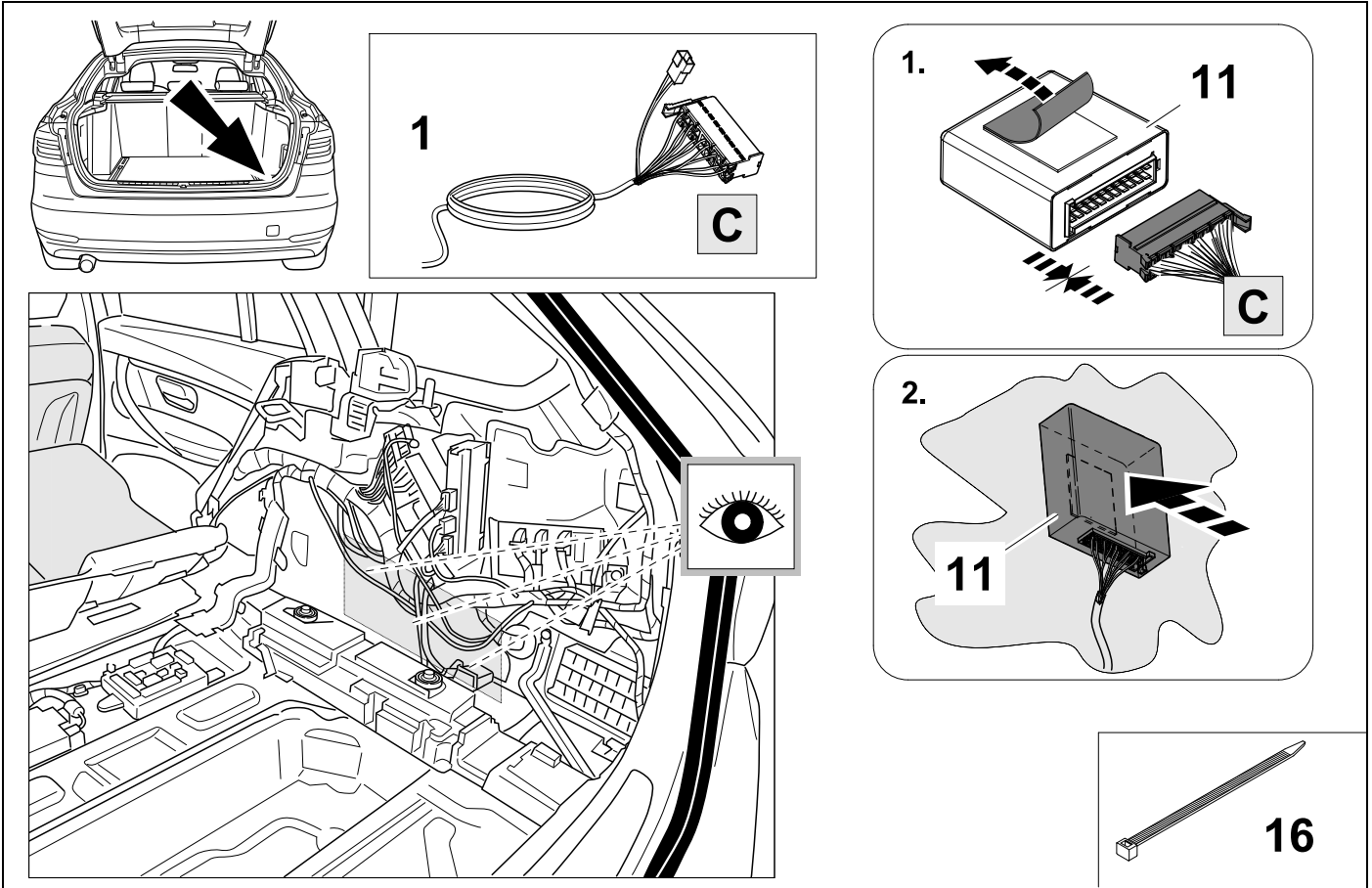
12

F31



13

F31

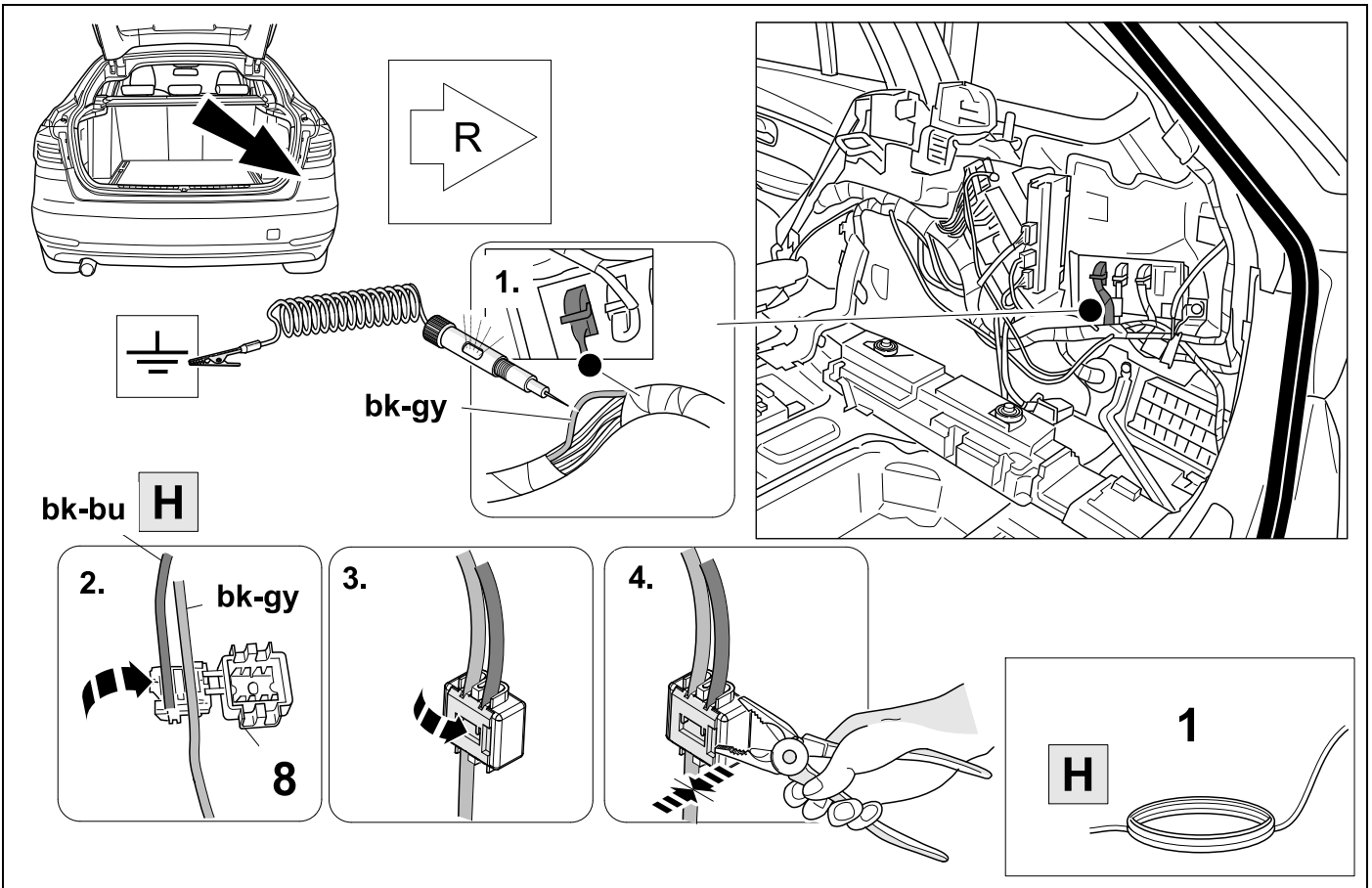


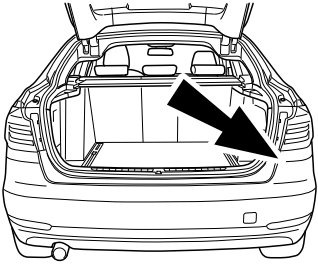
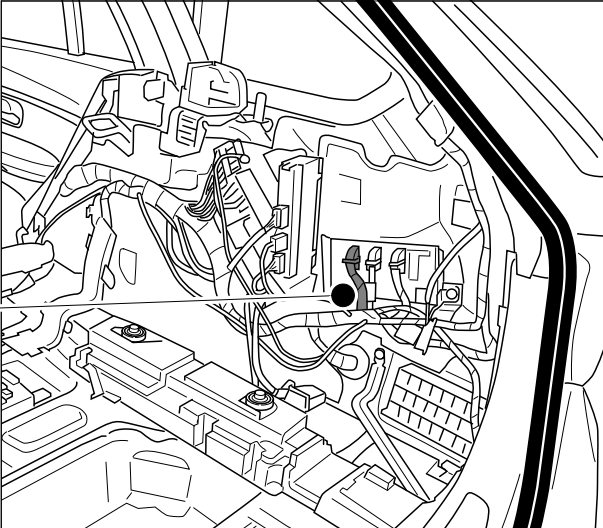
14



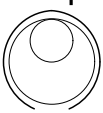
32

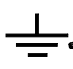
F31



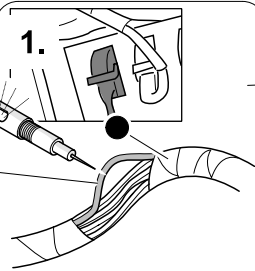




Stop





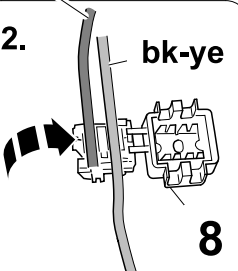
1.



bk-ye

bk-ye **D**

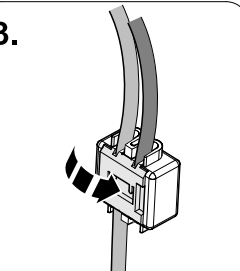
2.



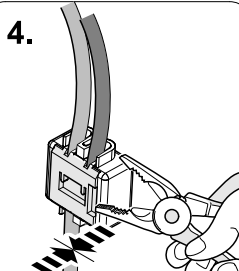
bk-ye

8

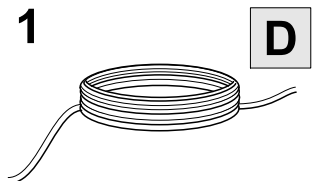
3.



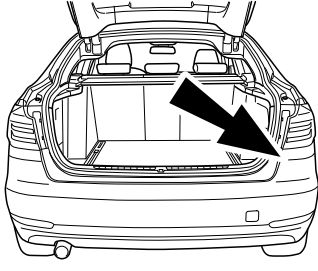
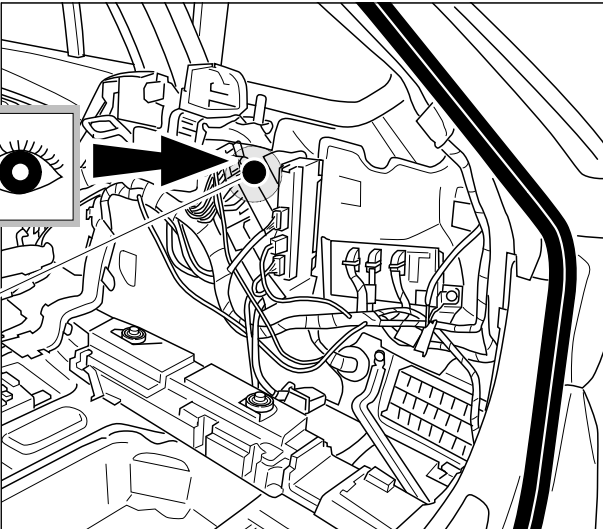
4.



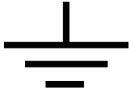
1

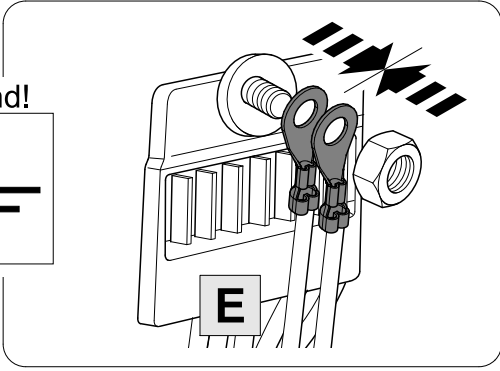


**D**

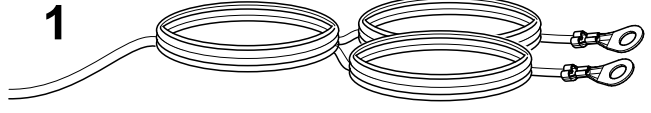
Ground!



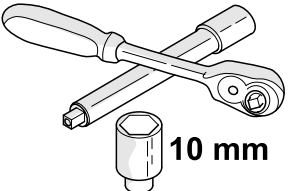


**E**

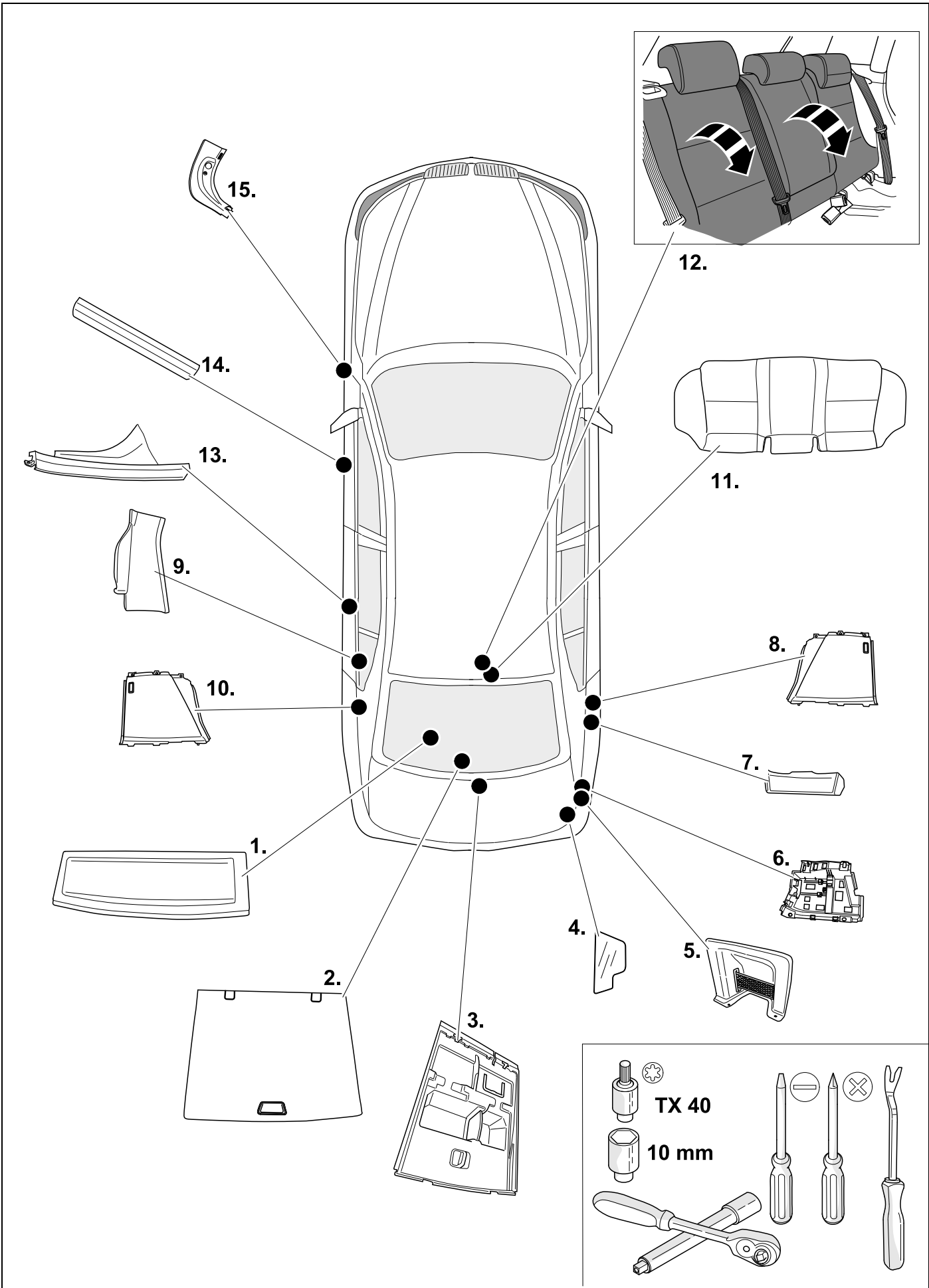
1



**E**

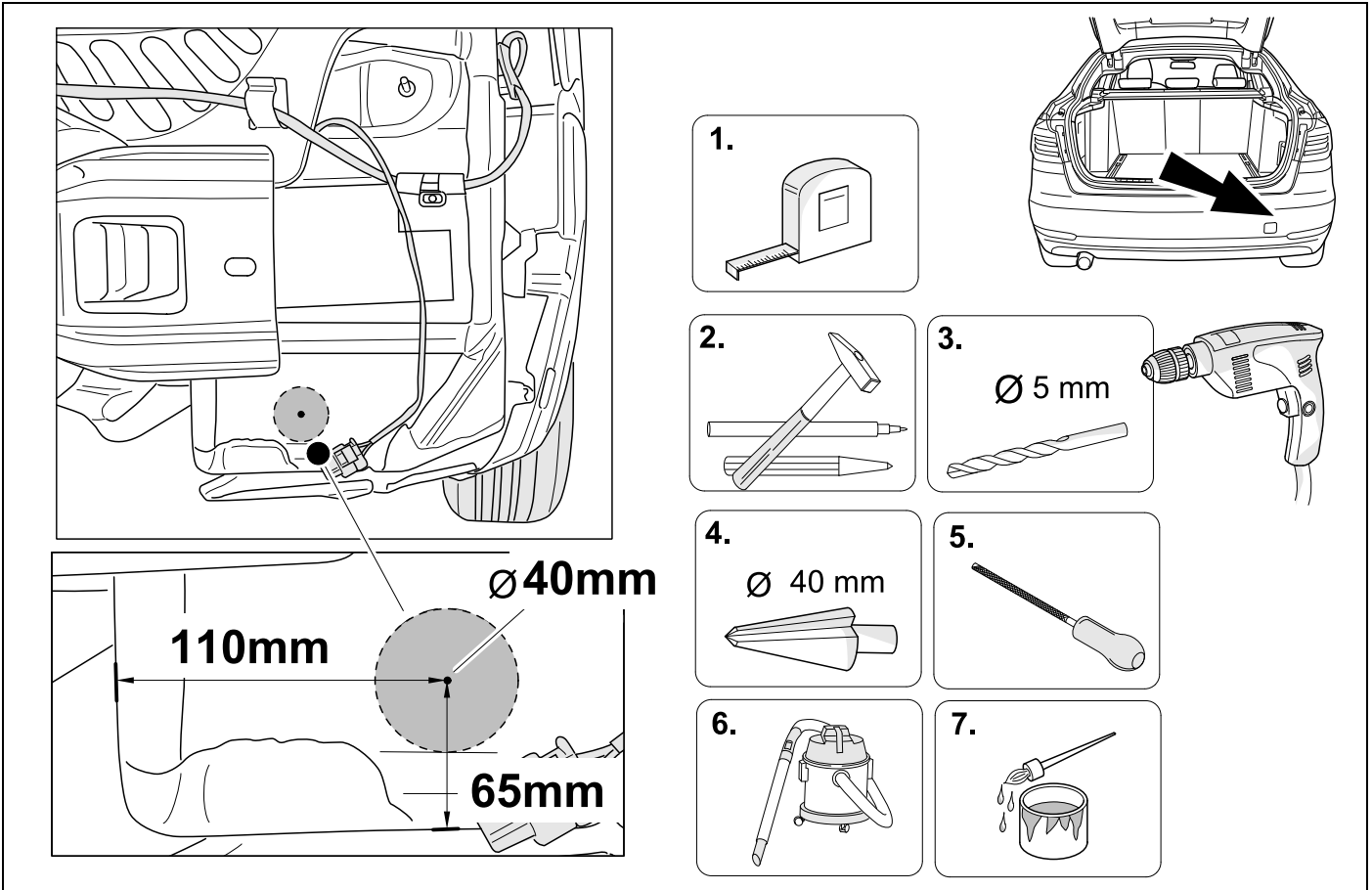


10 mm



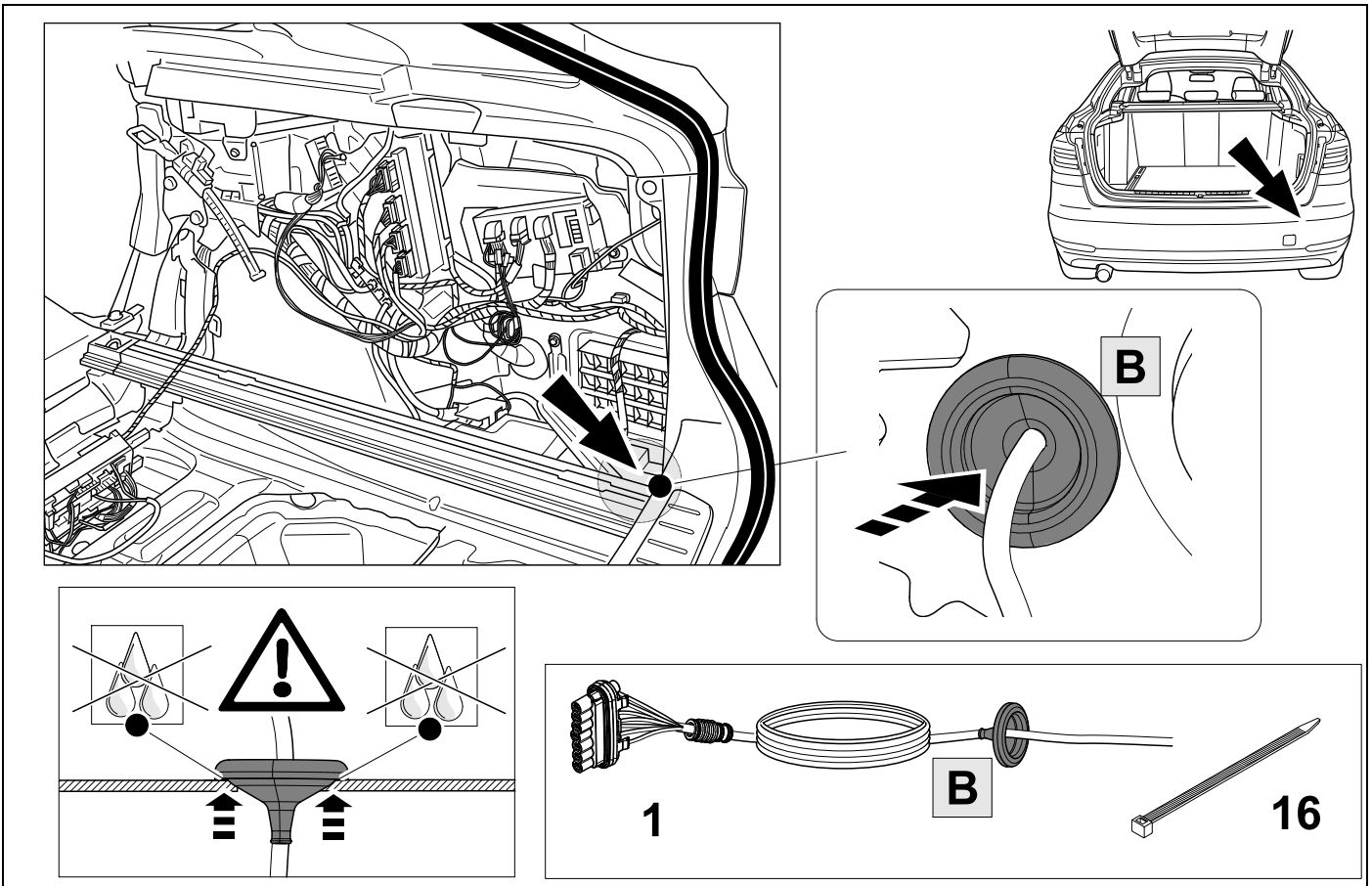
18

F34



19

F34



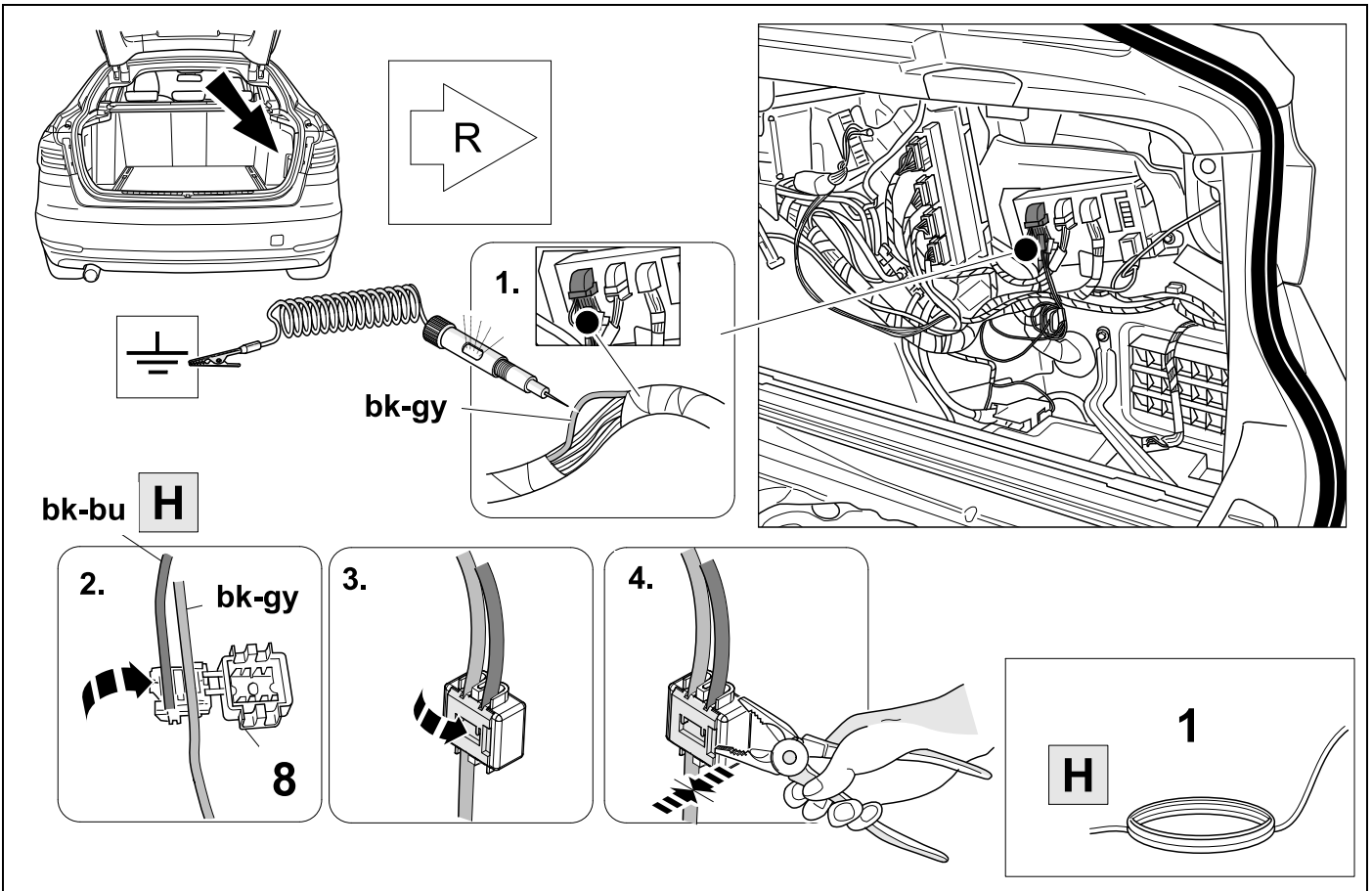
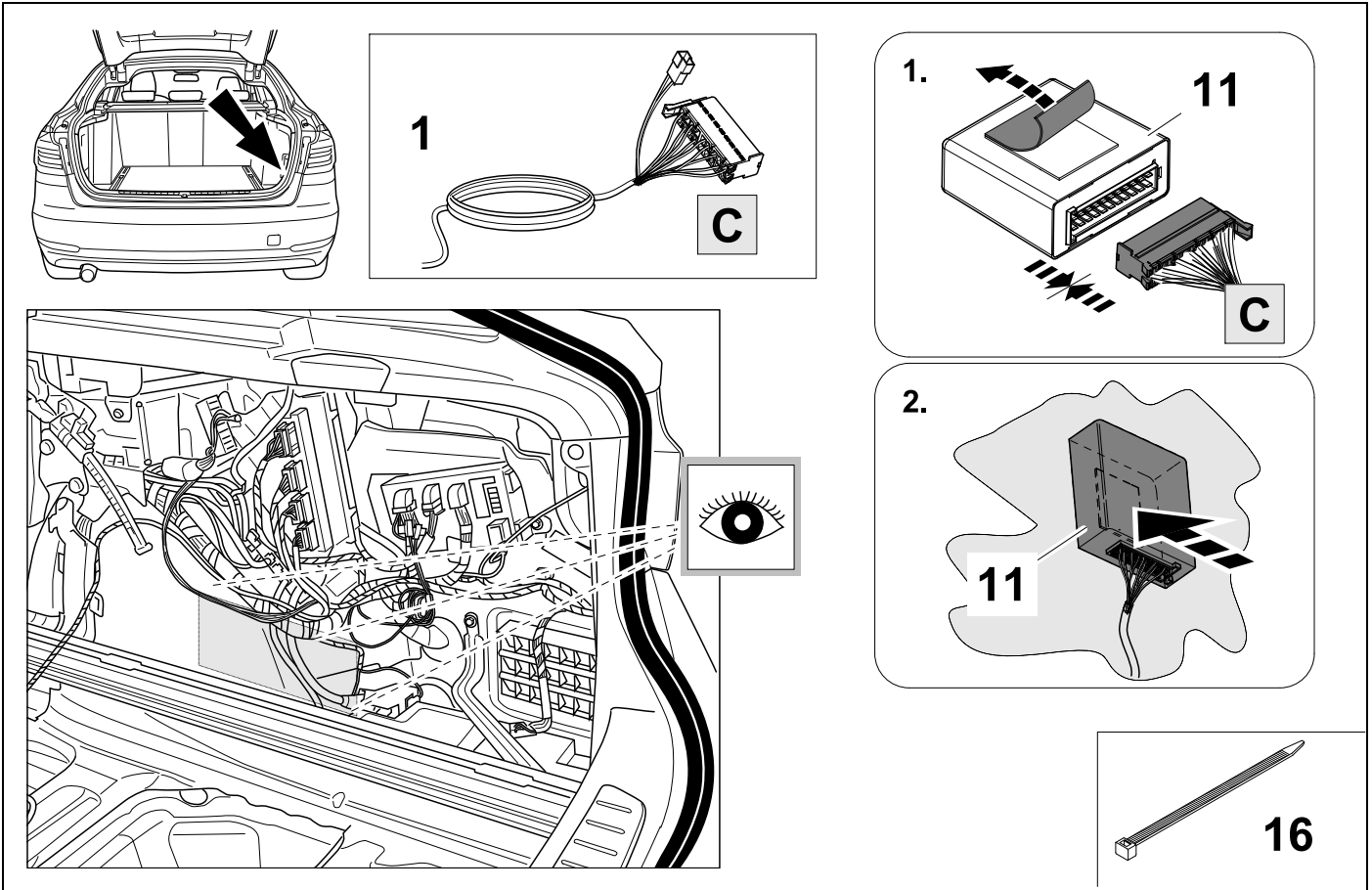






Diagram for step 22 showing the trunk of a car and the internal wiring harness. A large arrow points to the trunk. A 'Stop' icon is shown. A 'bk-ye' label points to a wire. A 'D' label is in a box. A '1' label is in a box. A '8' label is in a box. A 'bk-ye' label is in a box. A '1' label is in a box. A 'D' label is in a box.

1.

2.

3.

4.

1

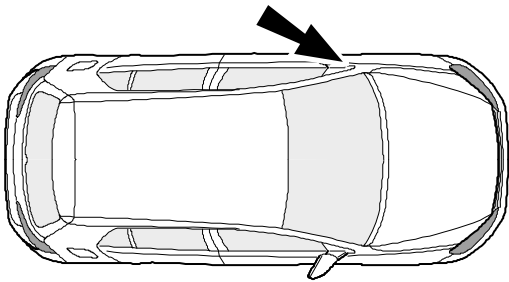
Diagram for step 23 showing the trunk of a car and the internal wiring harness. A large arrow points to the trunk. An eye icon with an arrow points to the wiring harness. A 'Ground!' label is in a box. A 'E' label is in a box. A '1' label is in a box. A '10 mm' label is in a box.

Ground!

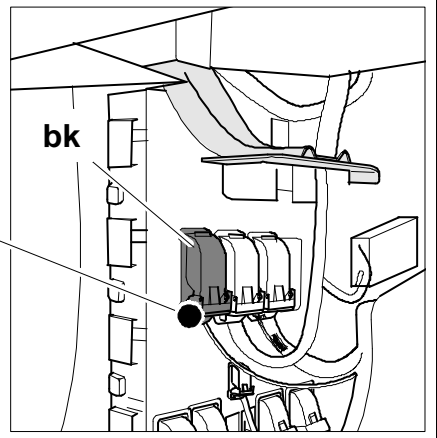
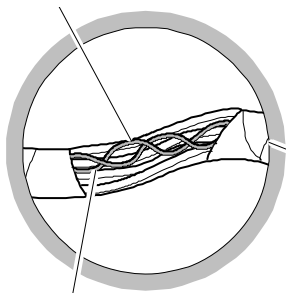
E

1

10 mm



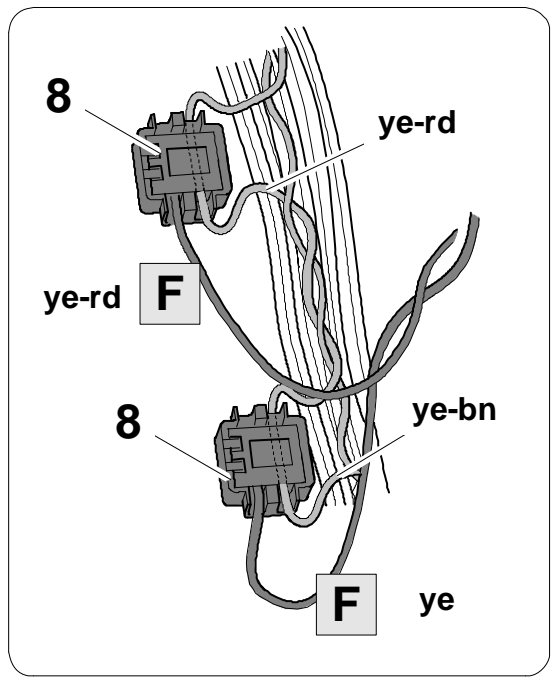
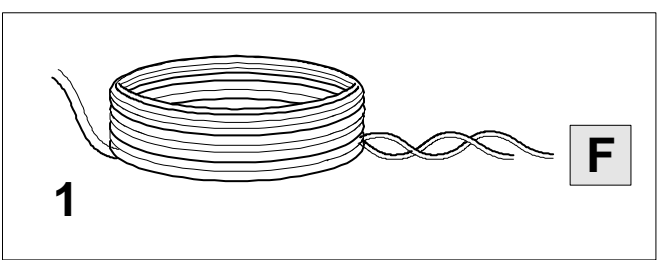
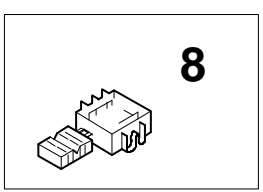
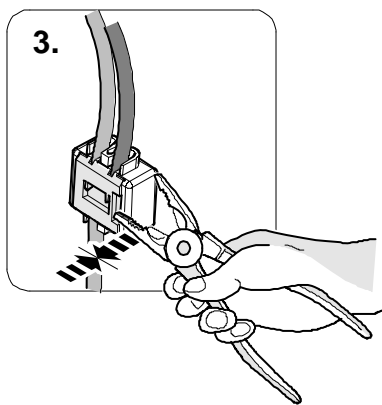
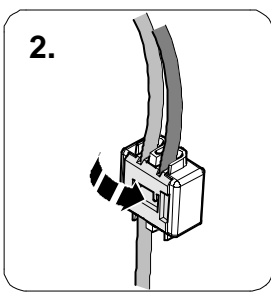
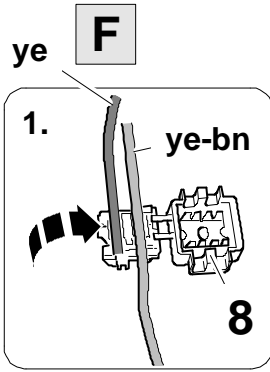
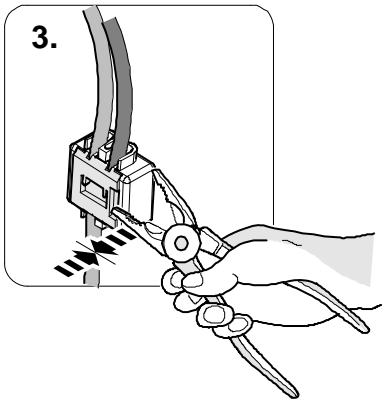
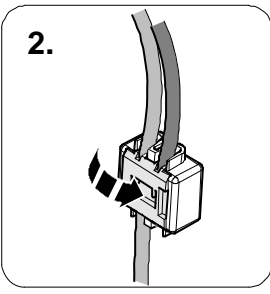
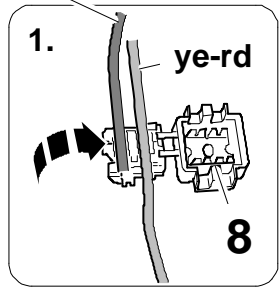
PIN 49 ye-rd

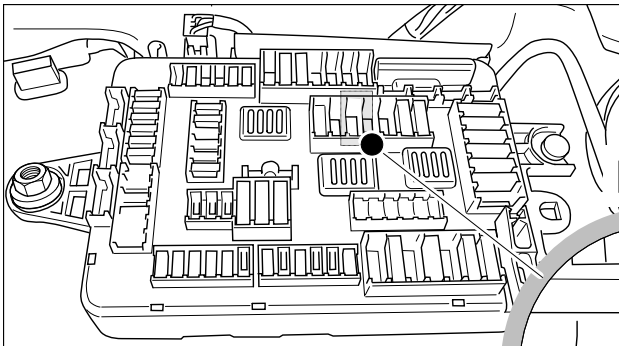
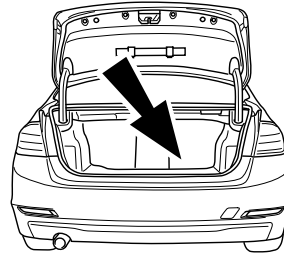
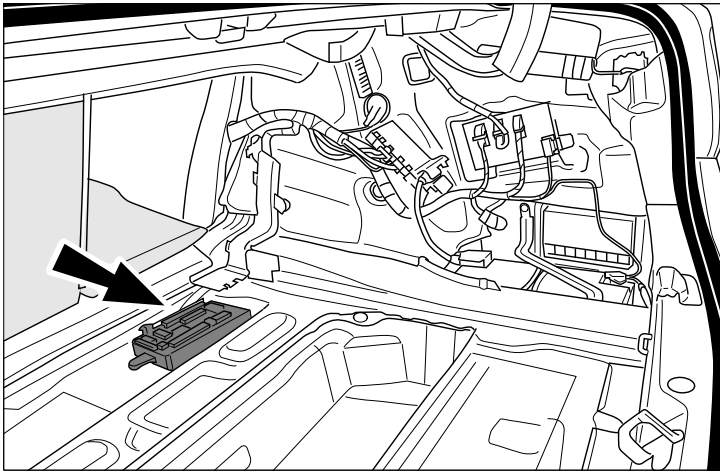


CAN

ye-rd **F**

PIN 50 ye-bn



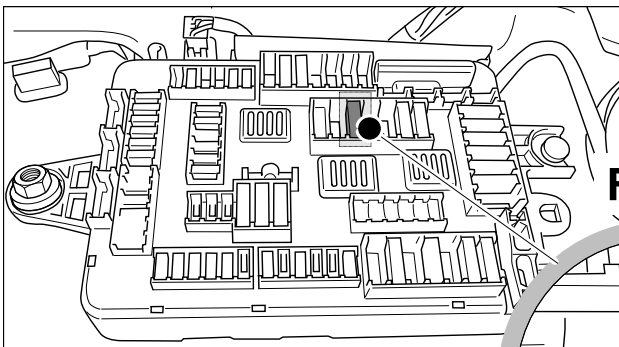
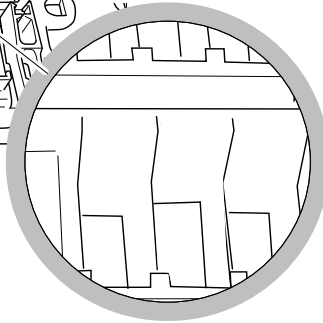


F113

**OPTION 1**

26

28 - 40

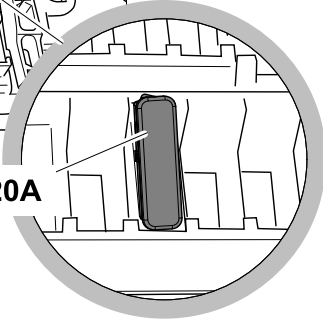


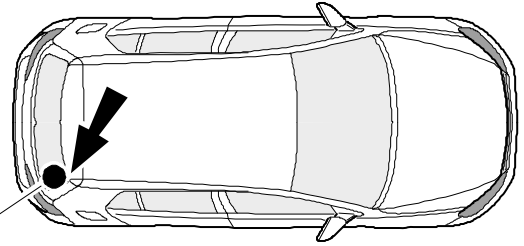
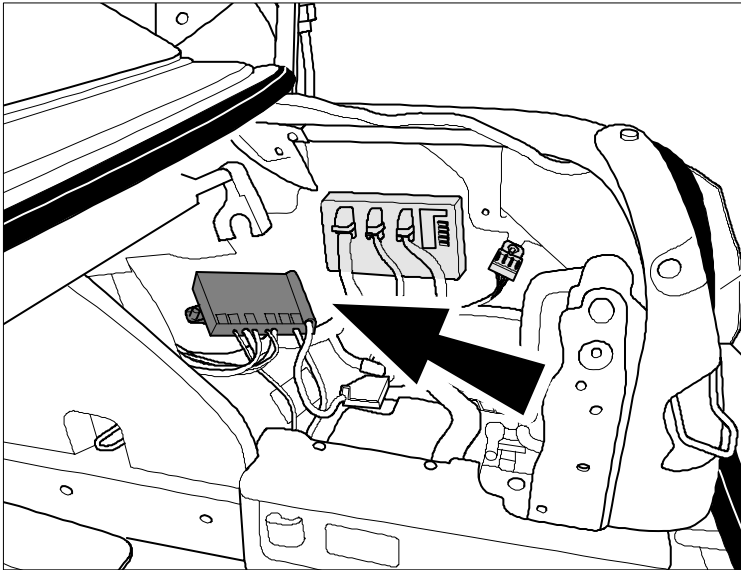
F113

**OPTION 2**

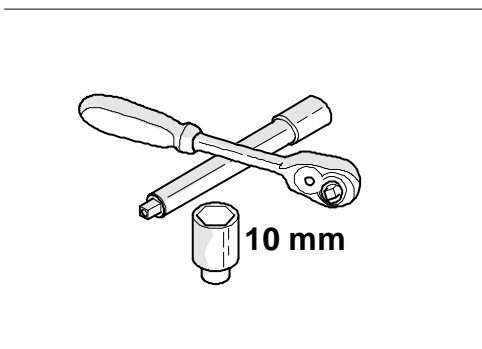
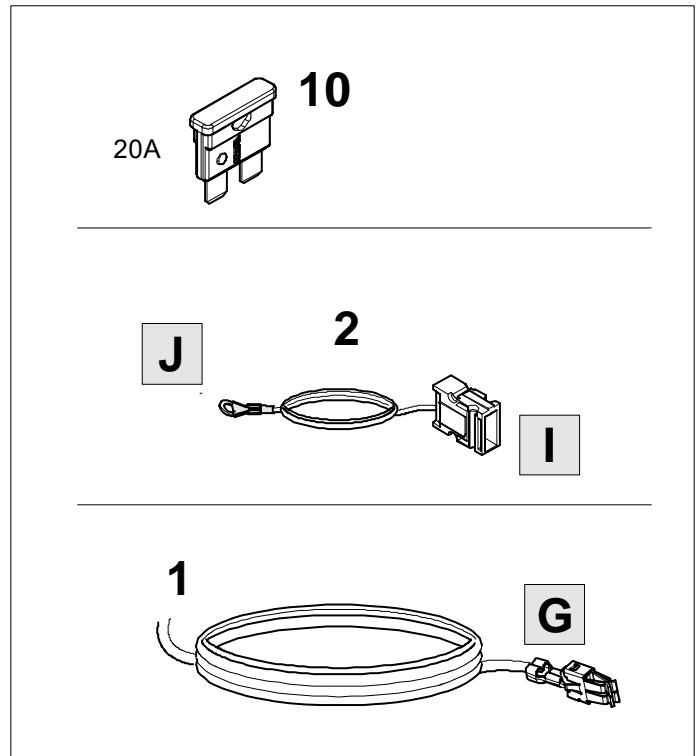
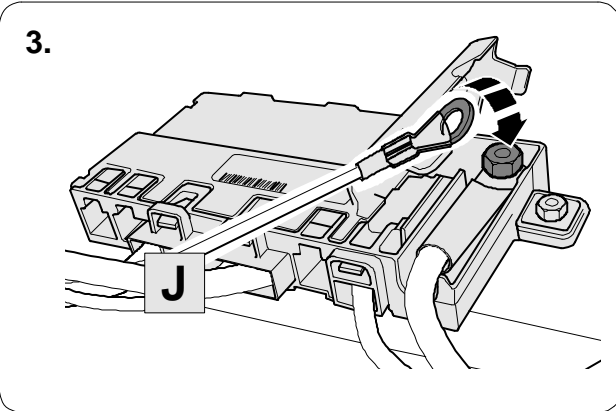
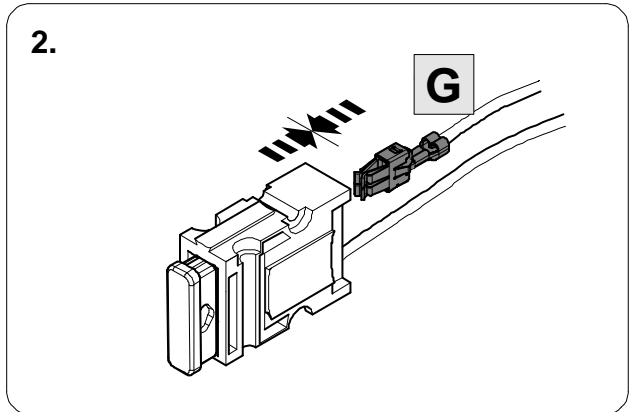
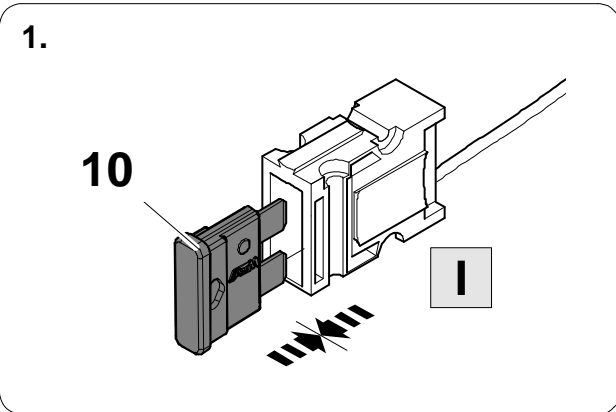
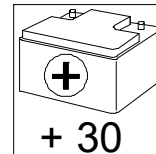
27 - 40

20A



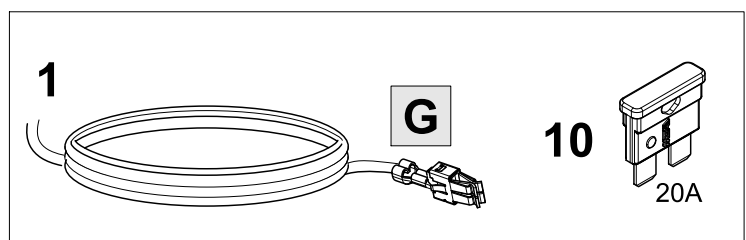
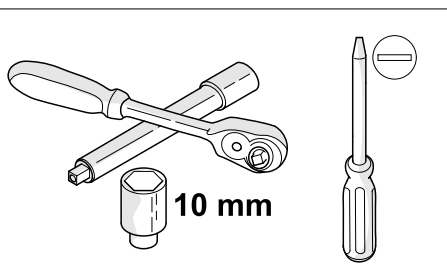
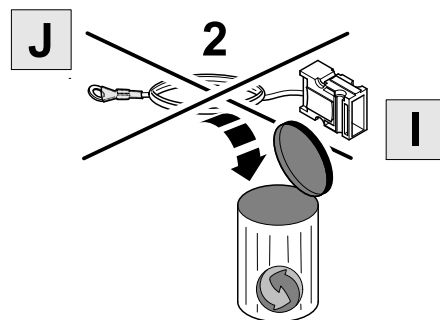
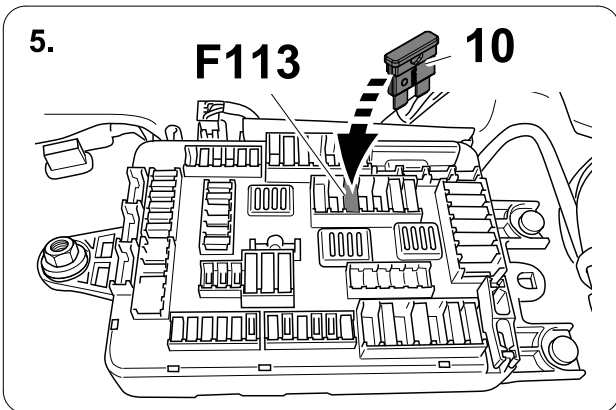
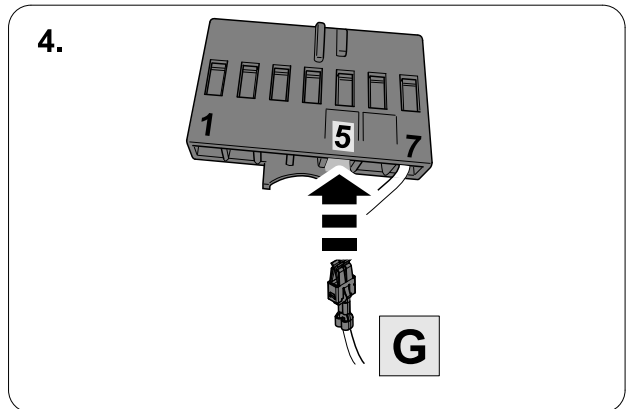
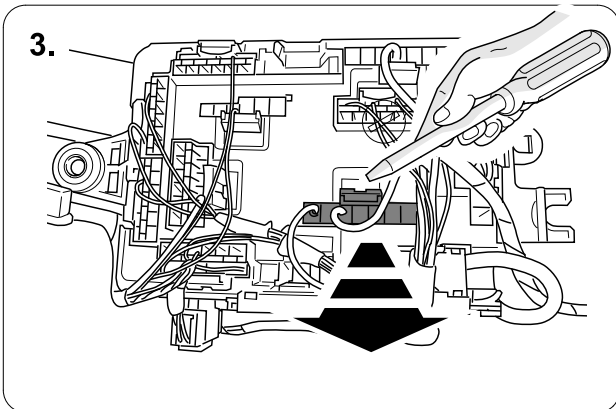
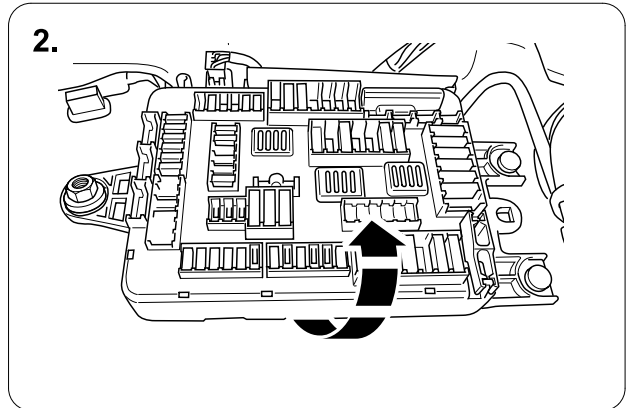
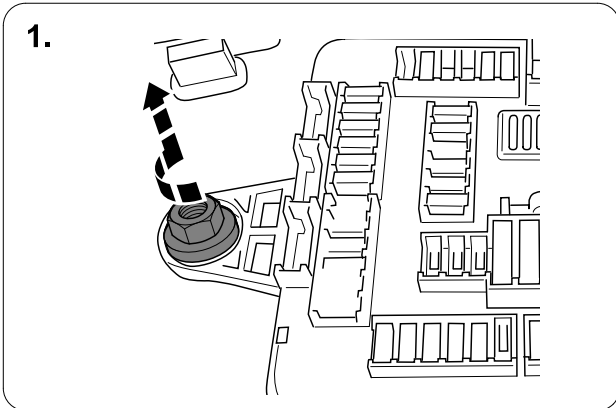
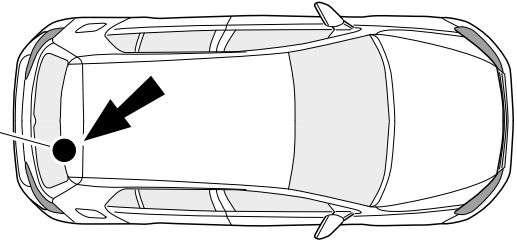
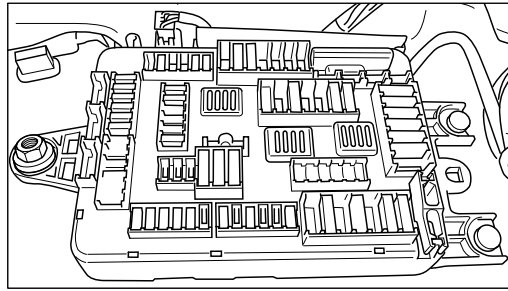
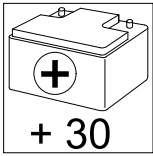


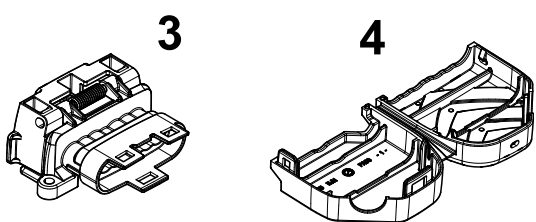
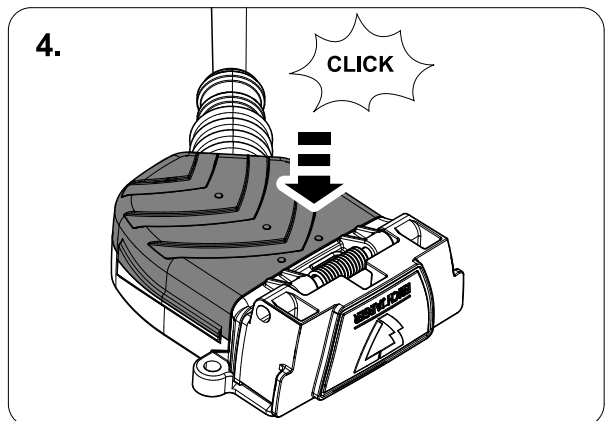
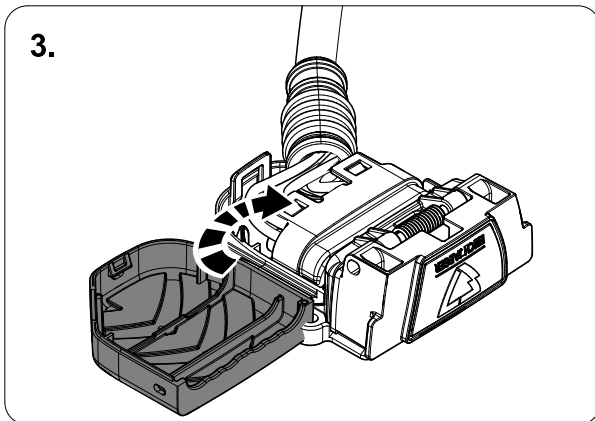
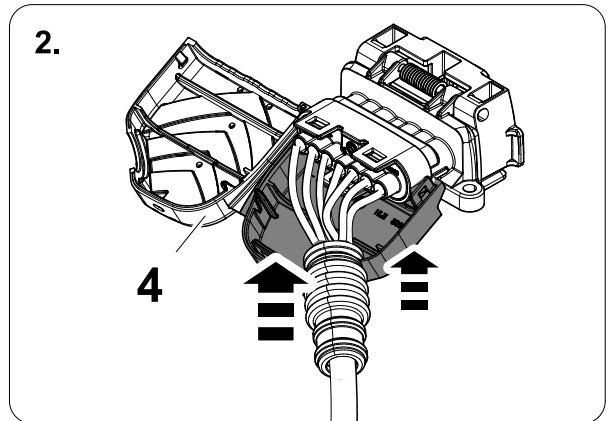
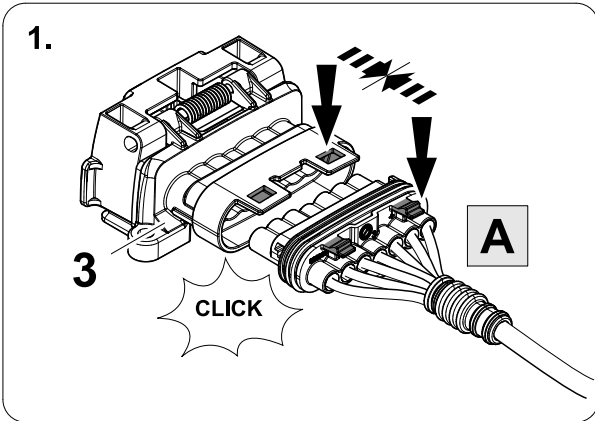
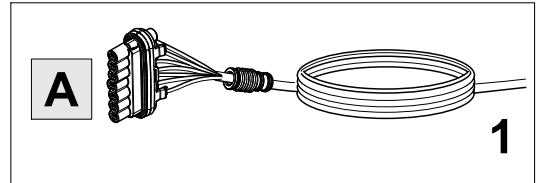
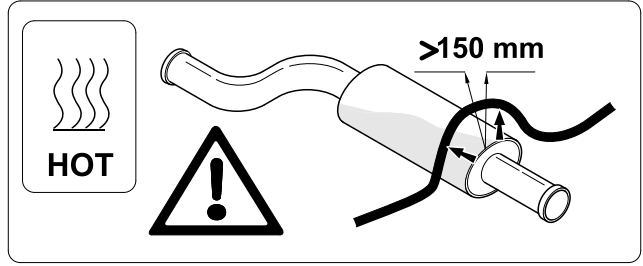
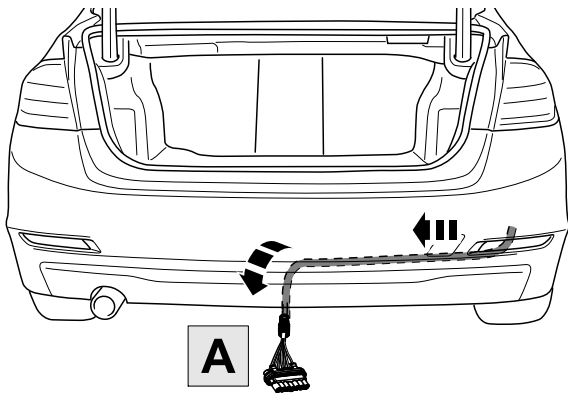
Hot all times!



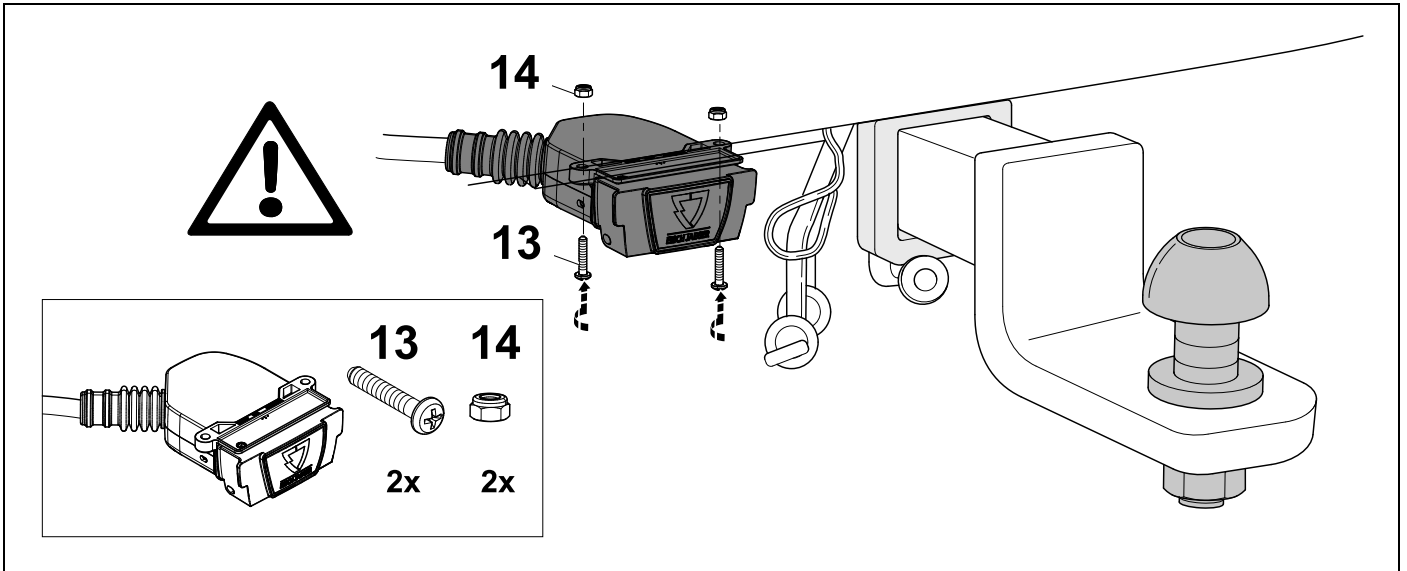


Hot all times!





30



31



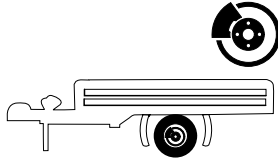
32

1	ye	
2	bk	
3	wh	
4	gn	
5	bu	
6	rd	
7	bn	

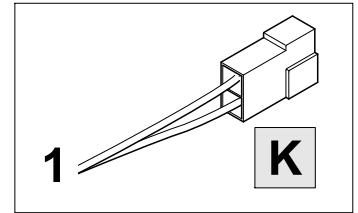
32	bk	wh	gy	gn	rd	bu	ye	bn	pu	or	no
	black	white	grey	green	red	blue	yellow	brown	purple	orange	not occupied



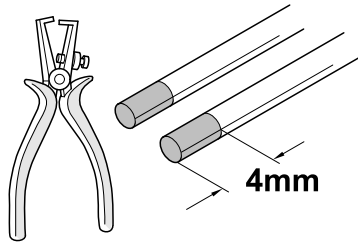
**BRAKE  
CONTROLLER  
PREPARED**



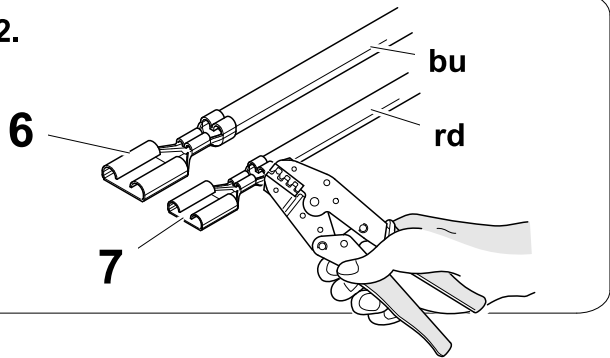
### Trailer Brake Preparation



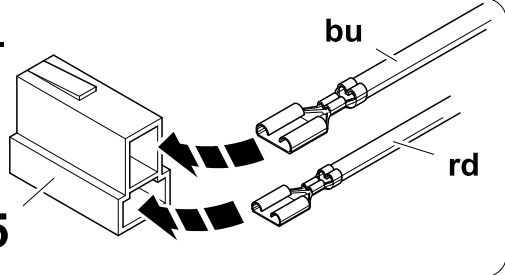
1.



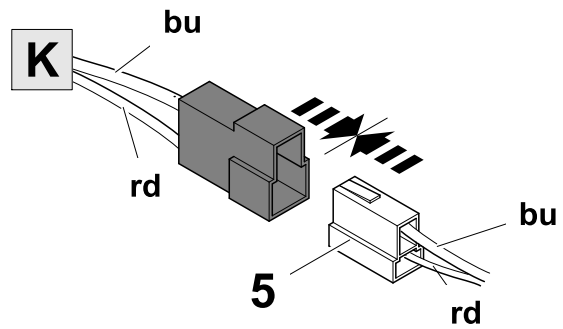
2.



3.



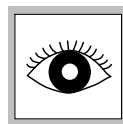
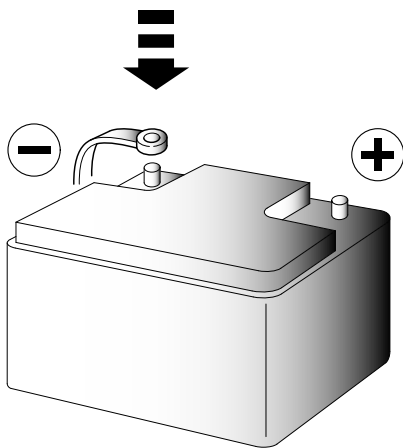
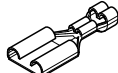
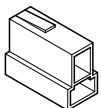
4.



5

6

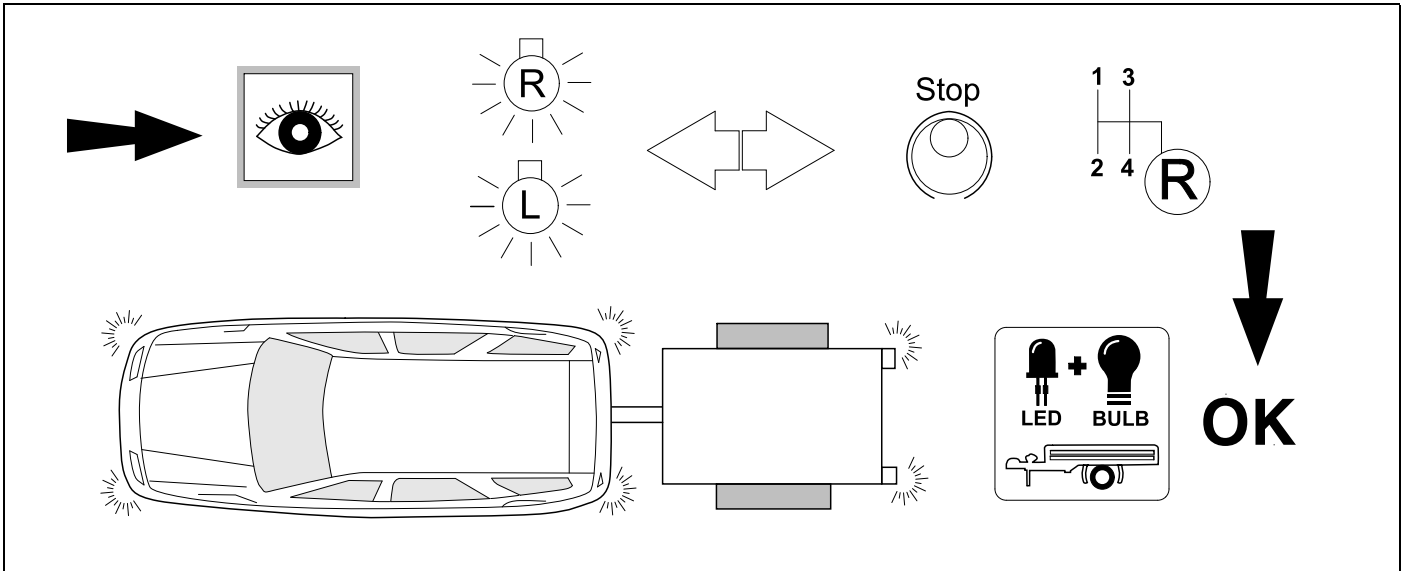
7





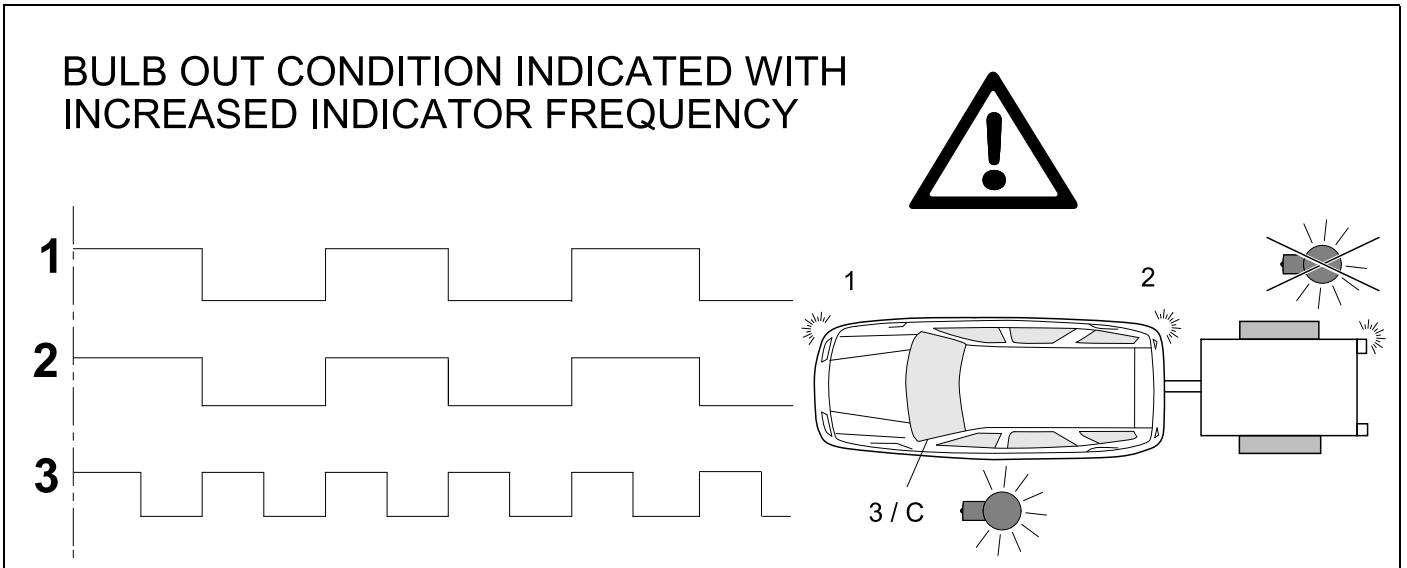
35

# CHECK ALL LIGHTING FUNCTIONS



36

# CHECK BULB OUT DETECTION



37

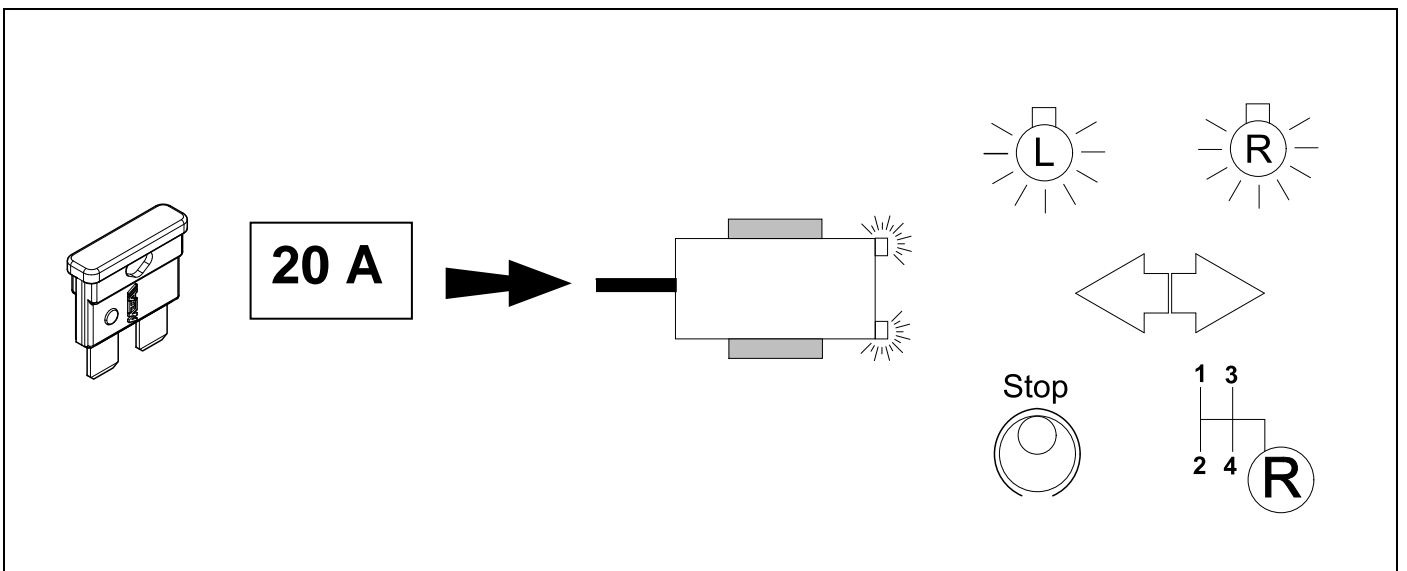
Information Service

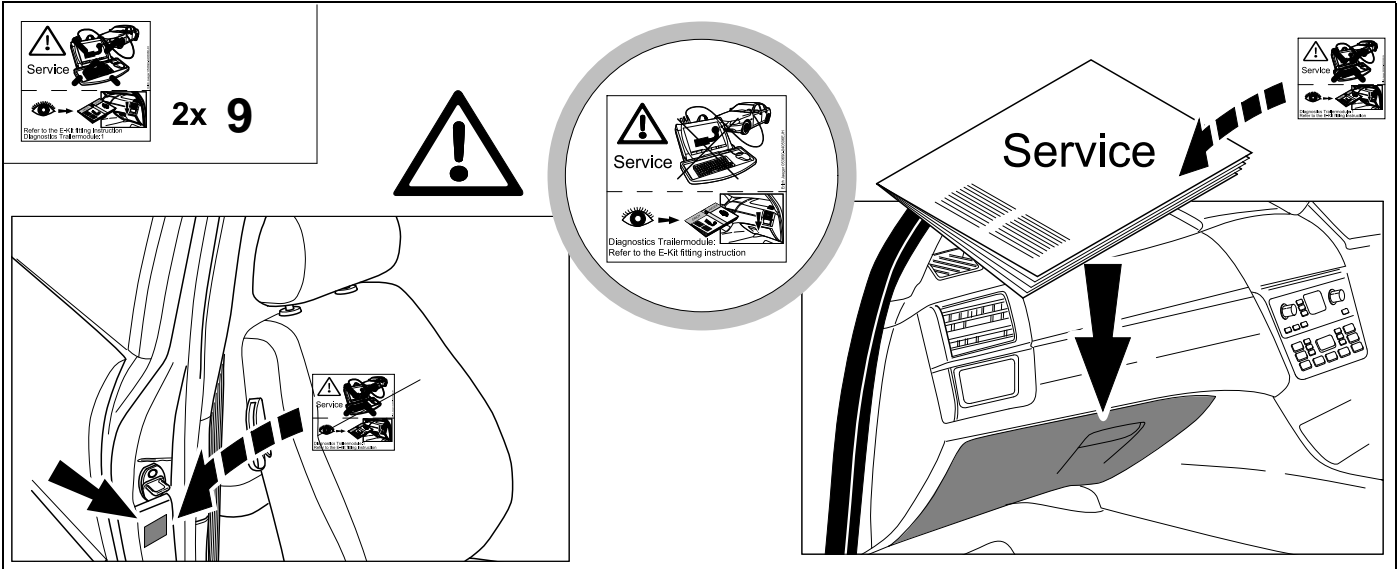


26

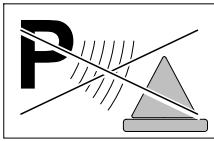
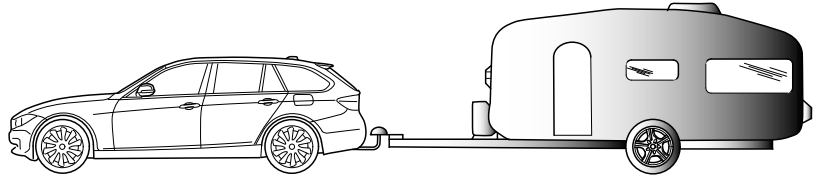
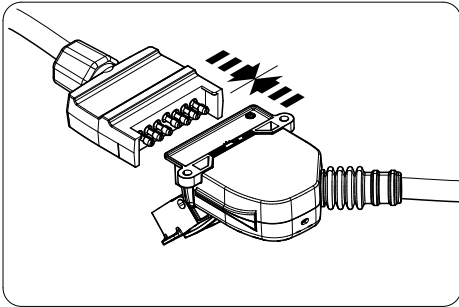
+

27

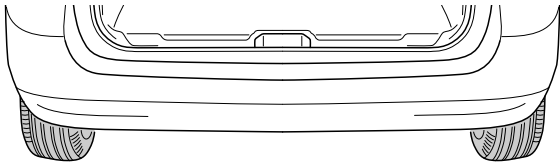




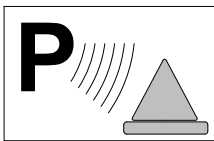
If the PDC does not automatically deactivate, coding and initialization of the module might be required.



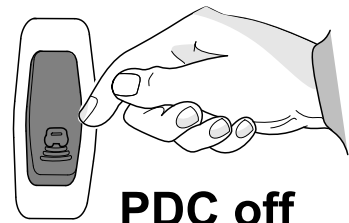
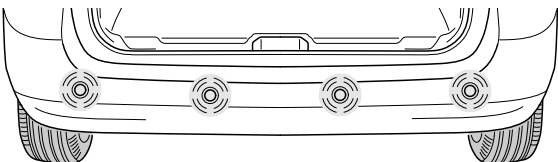
OPTION 1



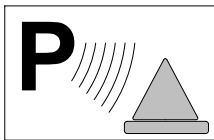
No Coding



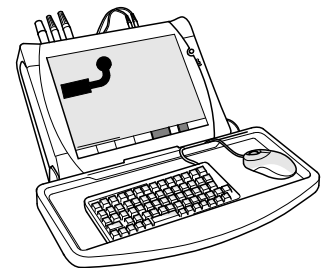
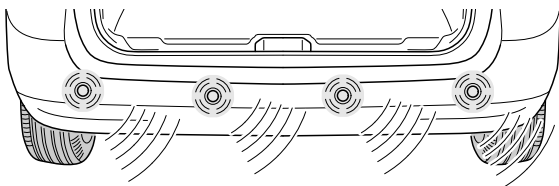
OPTION 2



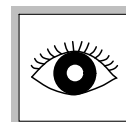
PDC off



OPTION 3

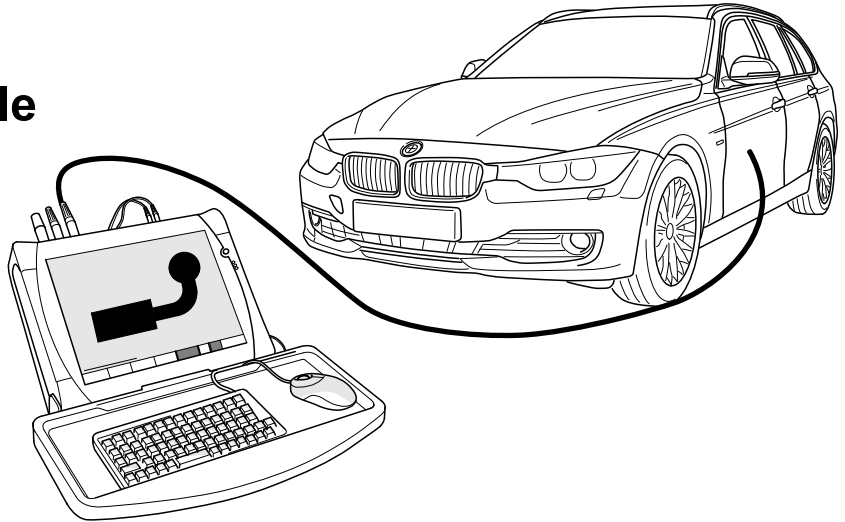


BMW Service ISTA/P  
Initialize Trailer Module



40

## BMW Service ISTA/P Initialize Trailer Module



**Please effect coding as follows:**

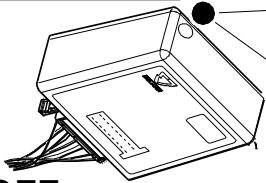
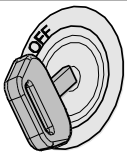


- Connect computer to vehicle
- Start ISTA/P
- Click “Modification / Upgrades”
- Scan Action plan
- Click „Coding (Ethernet)“
- Scan Action program follow-up
- Final report checking

**After the effected connection, the rear park assist system will also automatically be deactivated in trailer operation!**

# Status LED for self-diagnosis

## Operation Support



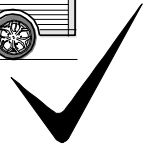
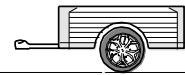
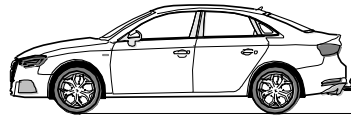
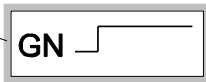
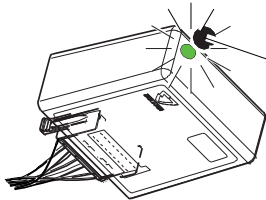
No CAN-Data =



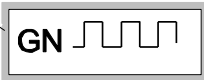
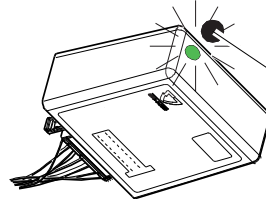
Standby / Sleepmode



Ignition OFF



Ignition ON



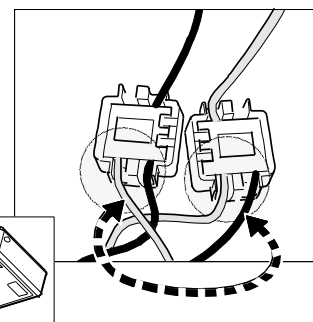
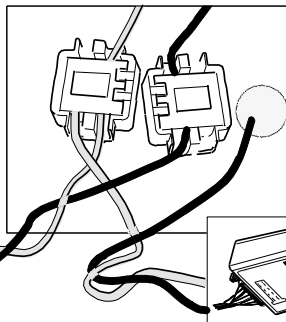
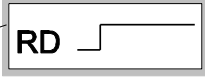
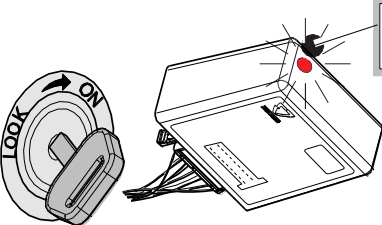
Ignition ON

## Failure Support

CAN-Data Wire

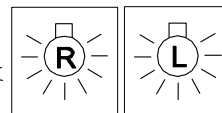


1x max. 5 min.

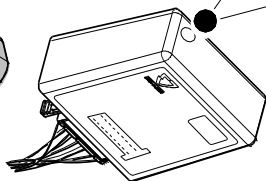


Ignition ON

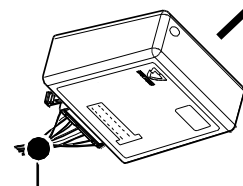
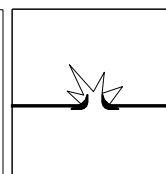
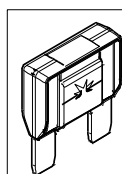
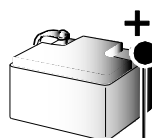
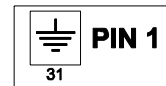
Failure indicated by the module LED glowing red for a maximum of 5 minutes. If trailer connected the tail lights will also glow indicating failure of CAN signal.



Ignition ON

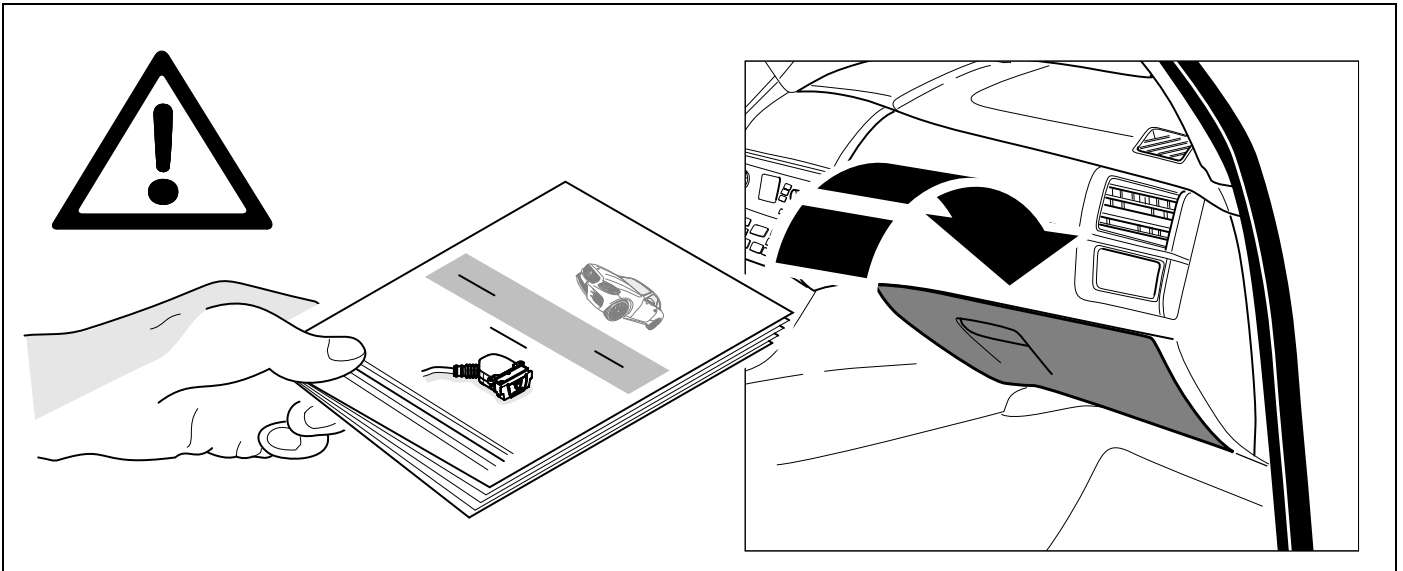


or









Subject to change in terms of construction, equipment and colour, and may contain errors.  
The information and illustrations are non-binding.

Scan this to download  
instructions for other models

