

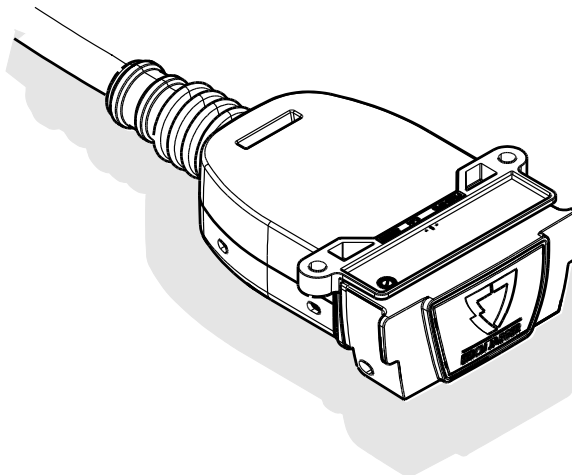
**Mitsubishi Outlander**

**11/12 >>**

**Mitsubishi Outlander PHEV**

**10/13 >>**

**750066**



## **Installation instructions**

### **Reference:**

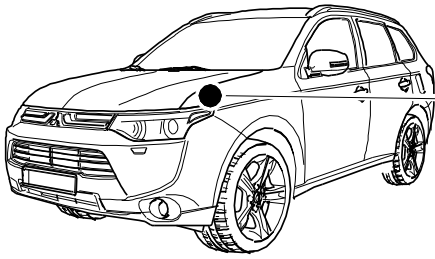
The following information must be reviewed before beginning the assembly:



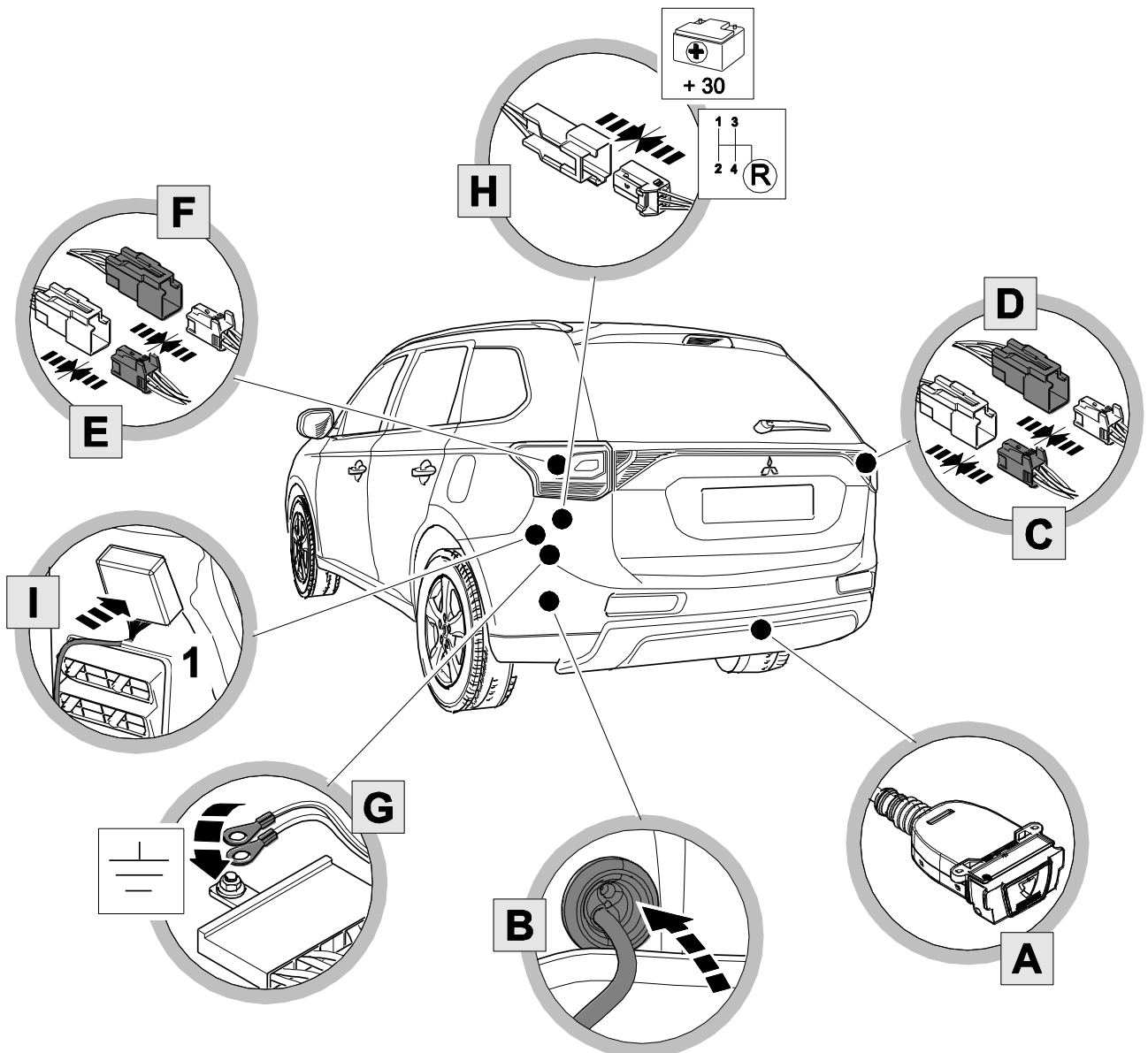
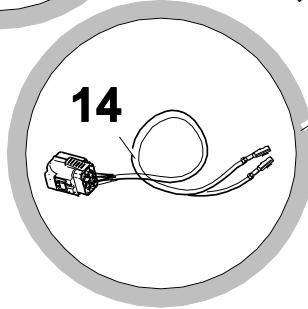
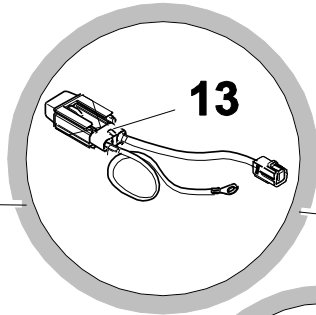
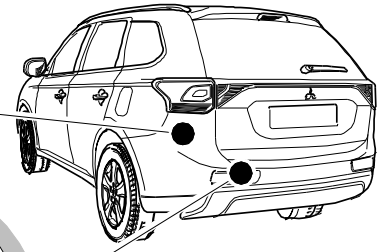
The installation instructions are to be thoroughly read.  
The installation should be carried out by qualified personnel with the relevant technical knowledge.  
The vehicle manufacturers' current technical notices and information on retrofitting must be followed.  
The removal and replacement instructions found in the current repair manuals must be followed.  
It must be ensured that the vehicle is technically suitable for the installation of a trailer hitch.

# OVERVIEW

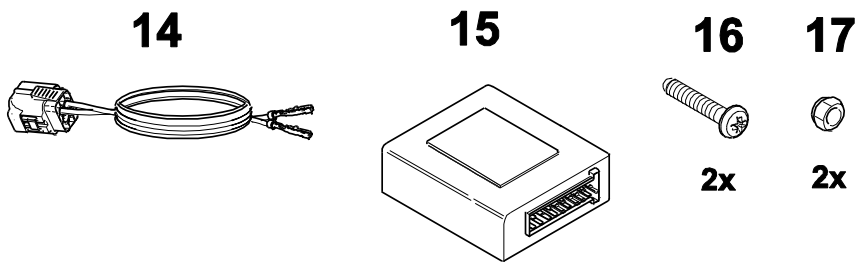
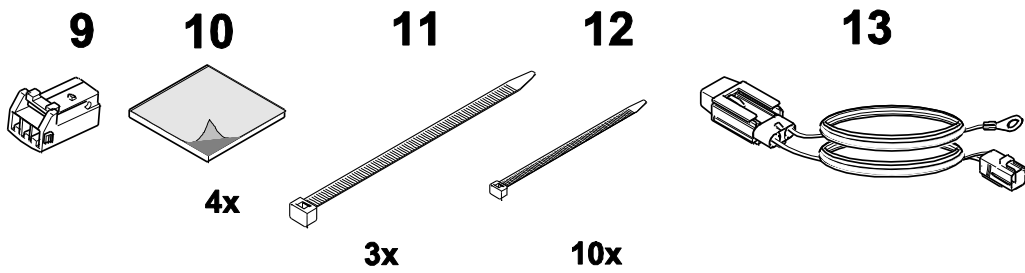
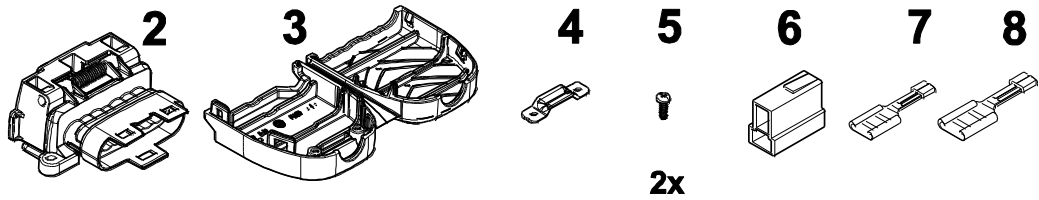
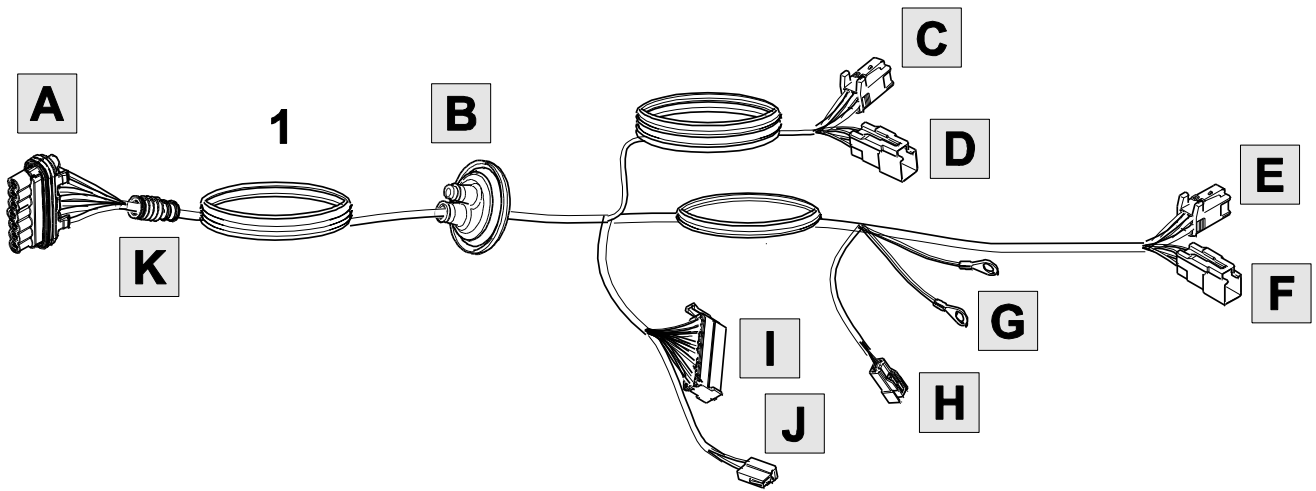
## Outlander



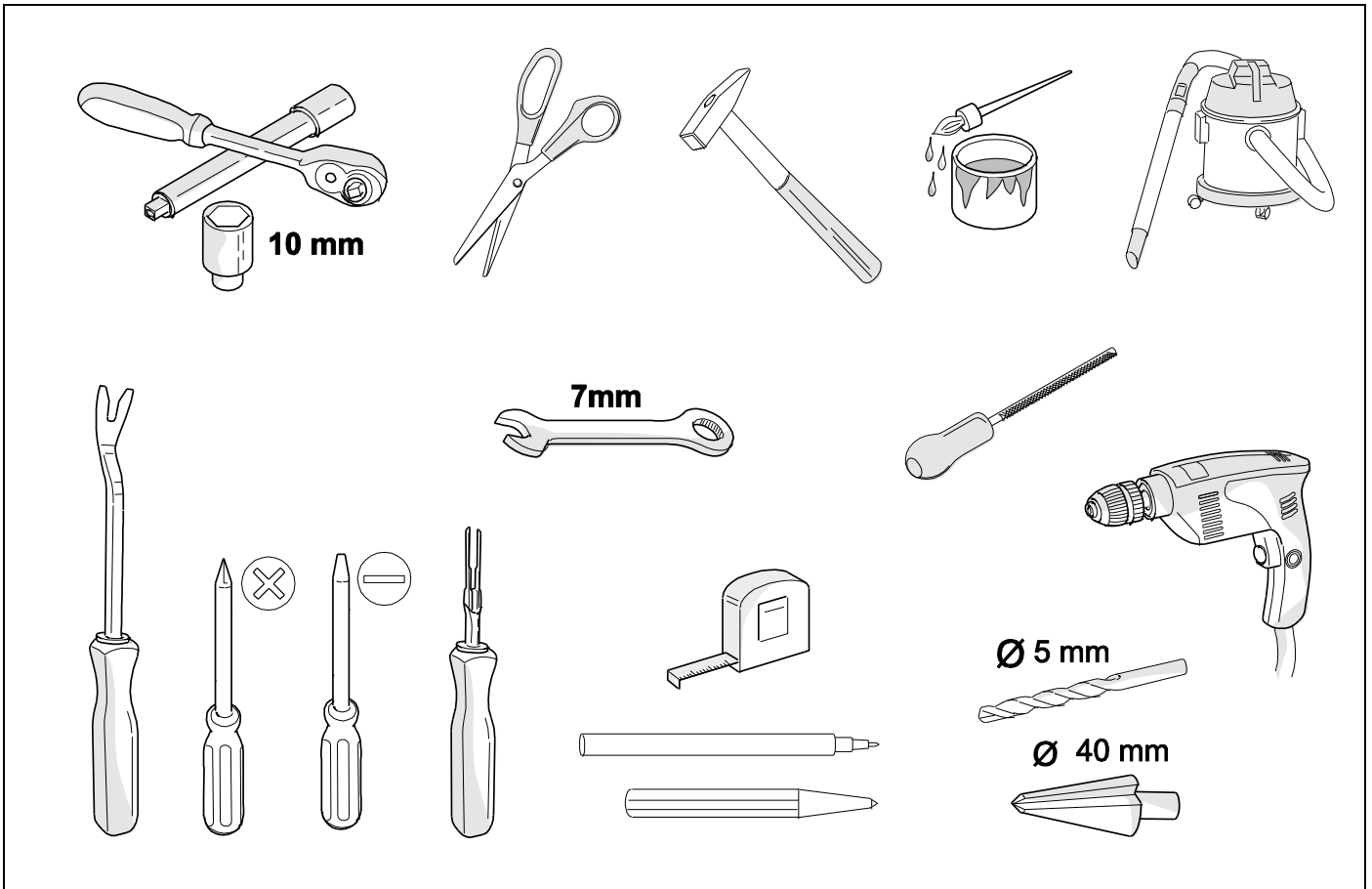
## Outlander PHEV



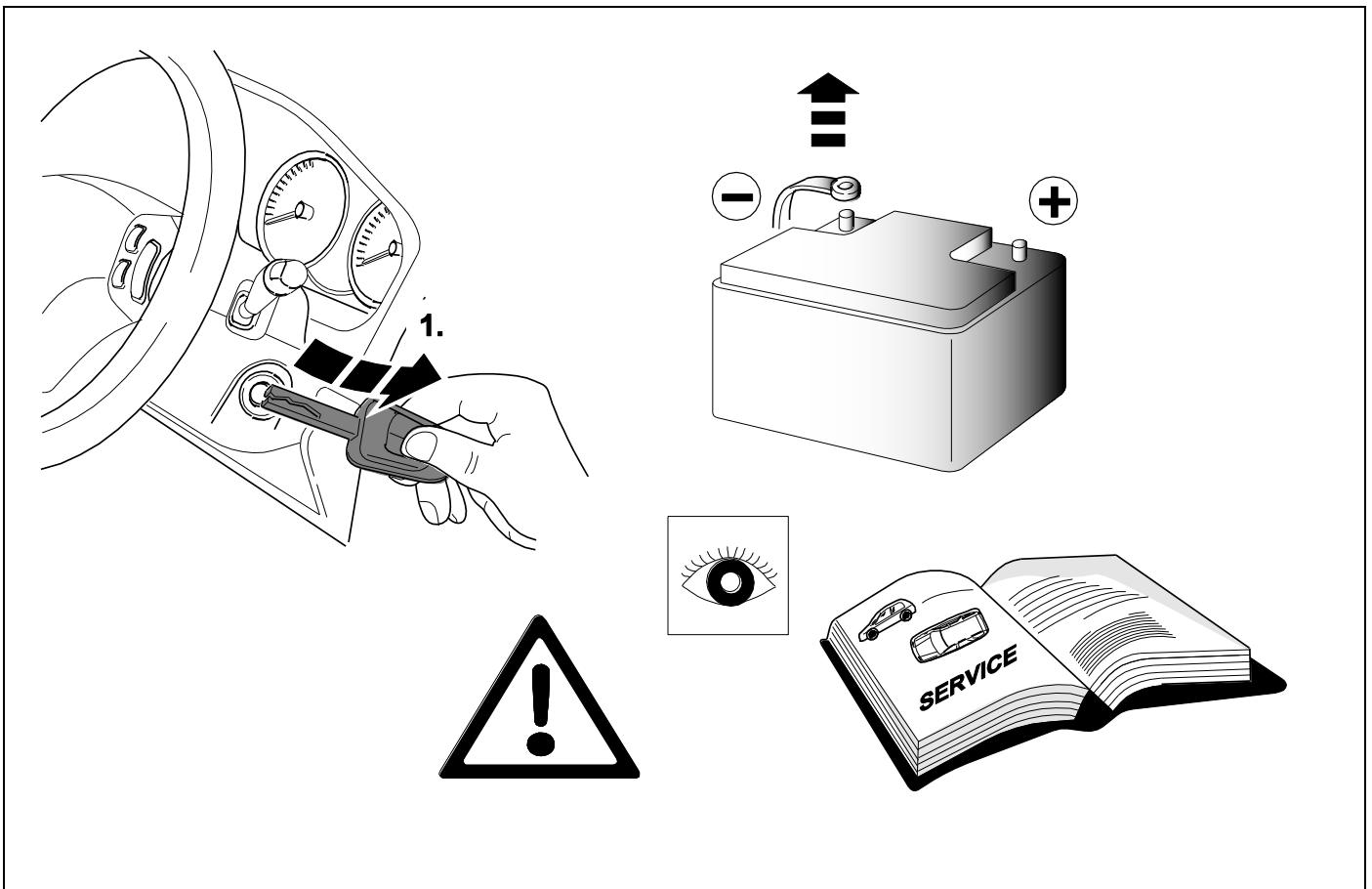
# KIT



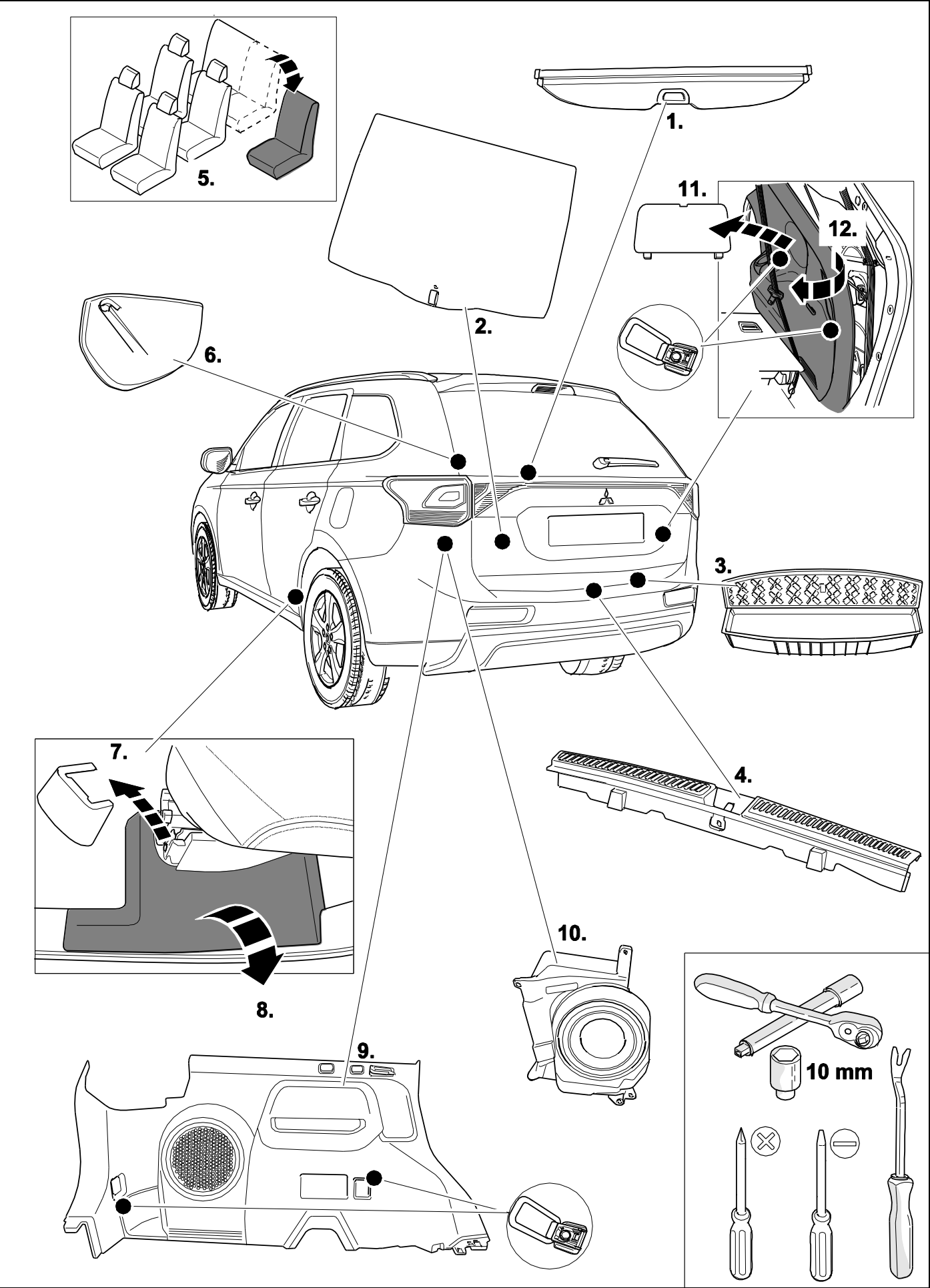
# TOOLS



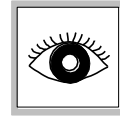
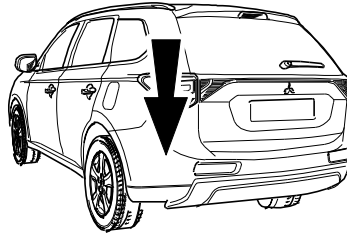
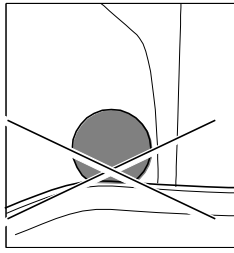
1



# 2 REMOVE



3



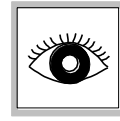
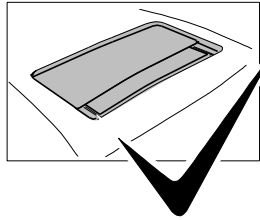
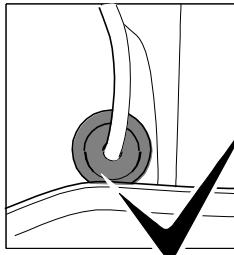
**OPTION 1**

4

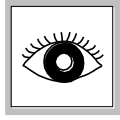
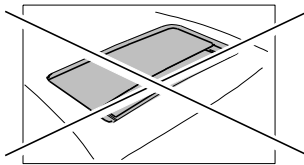


5

**OPTION 2**



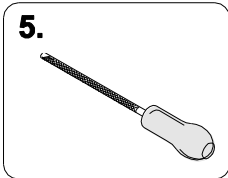
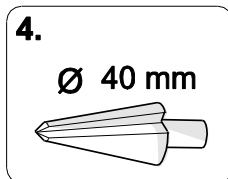
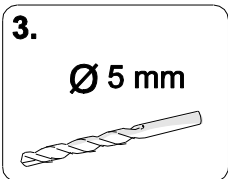
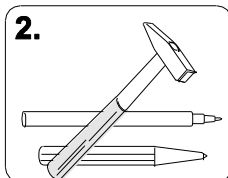
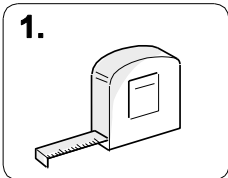
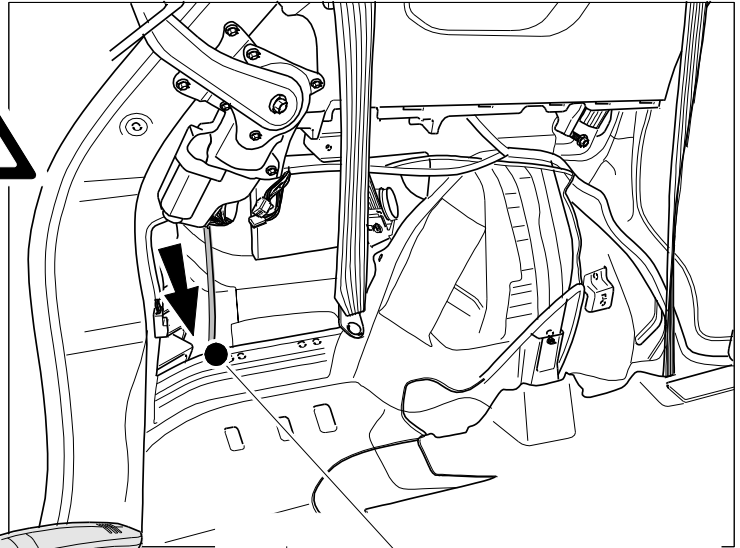
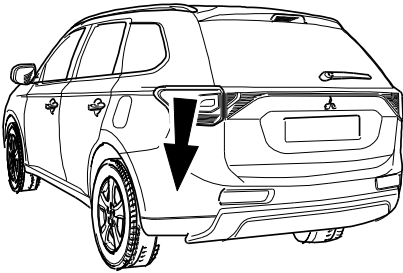
6



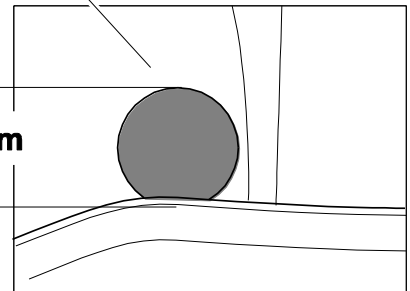
7

4

**OPTION 1**

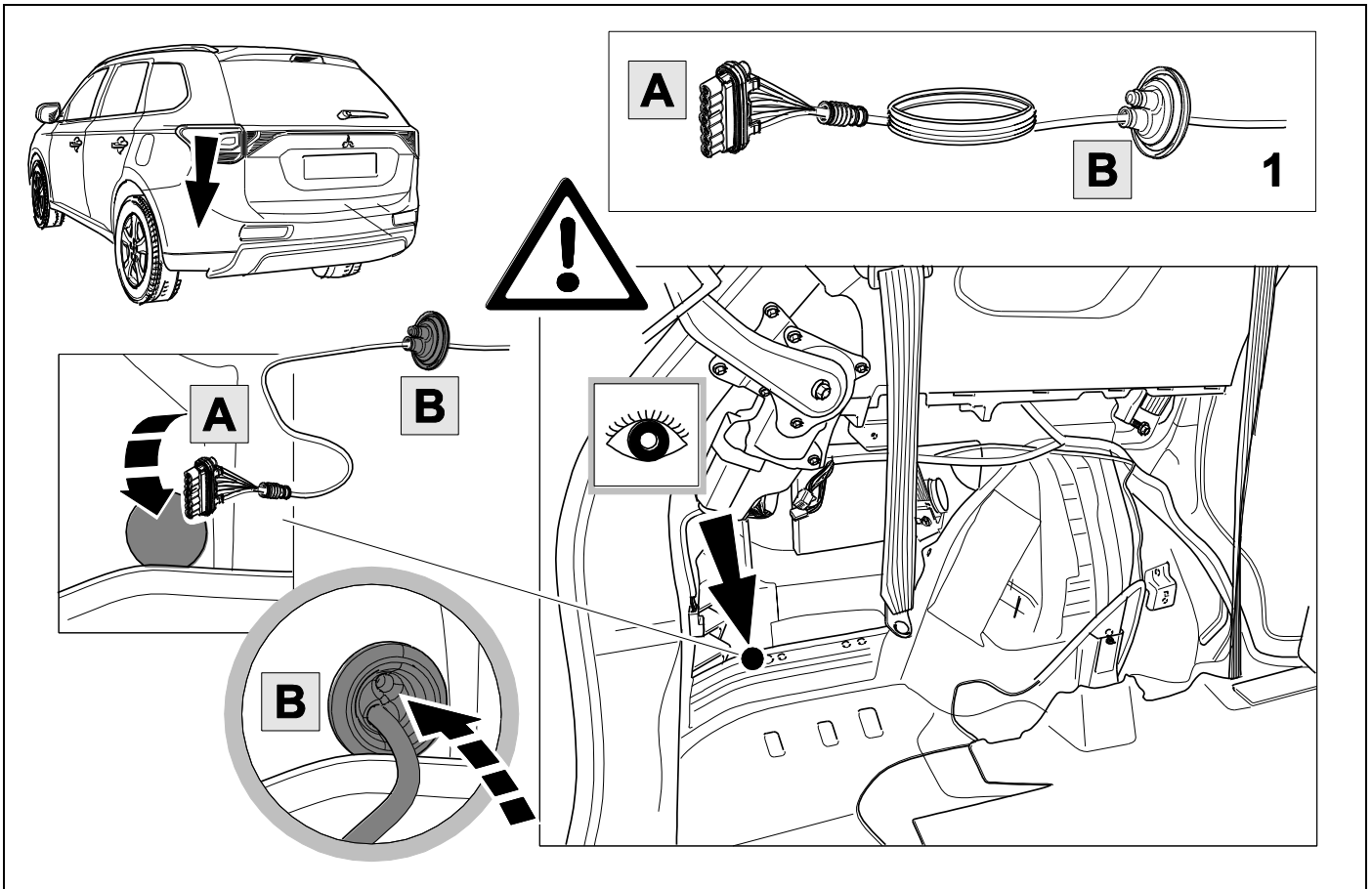


40mm



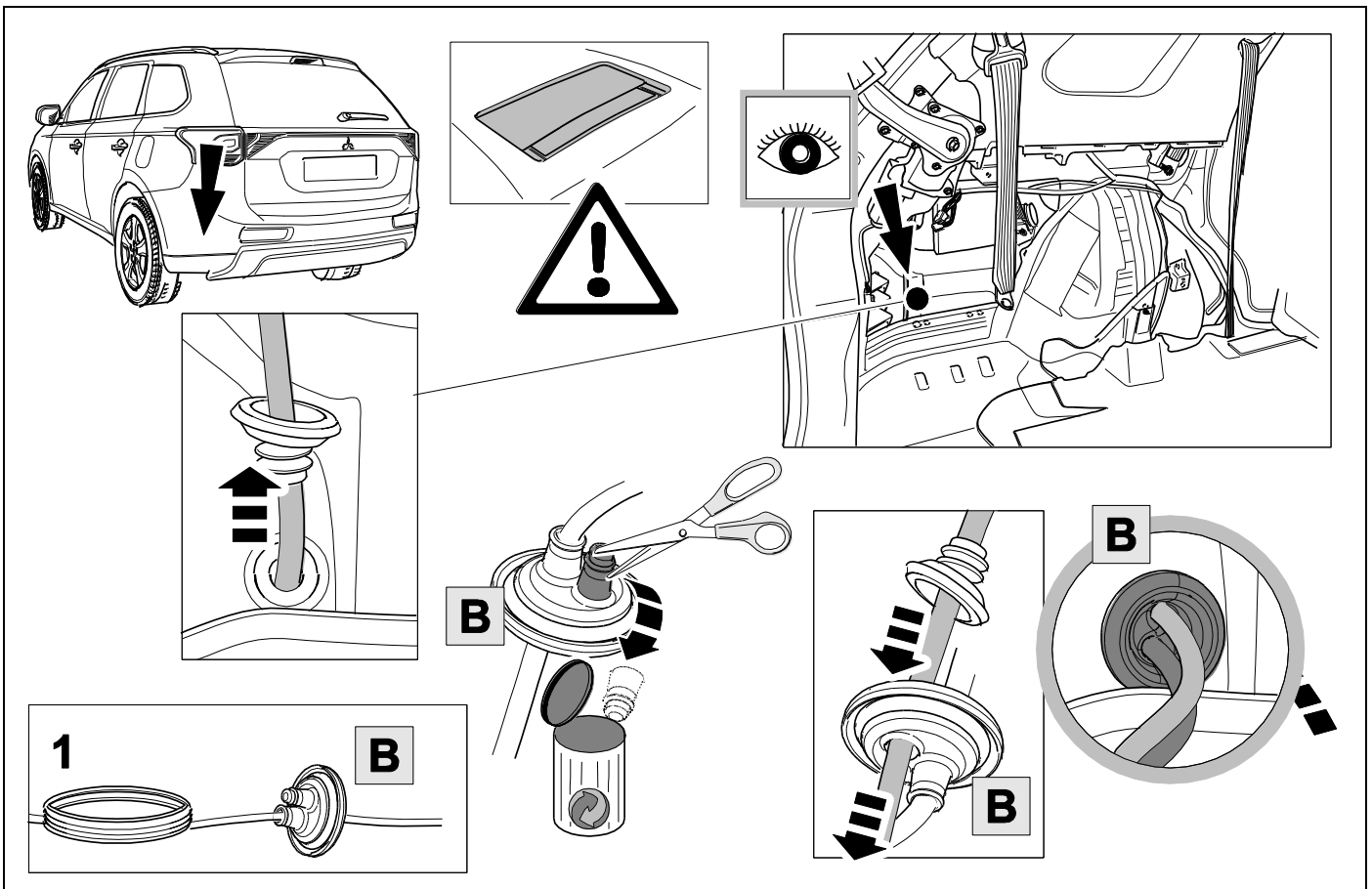
5

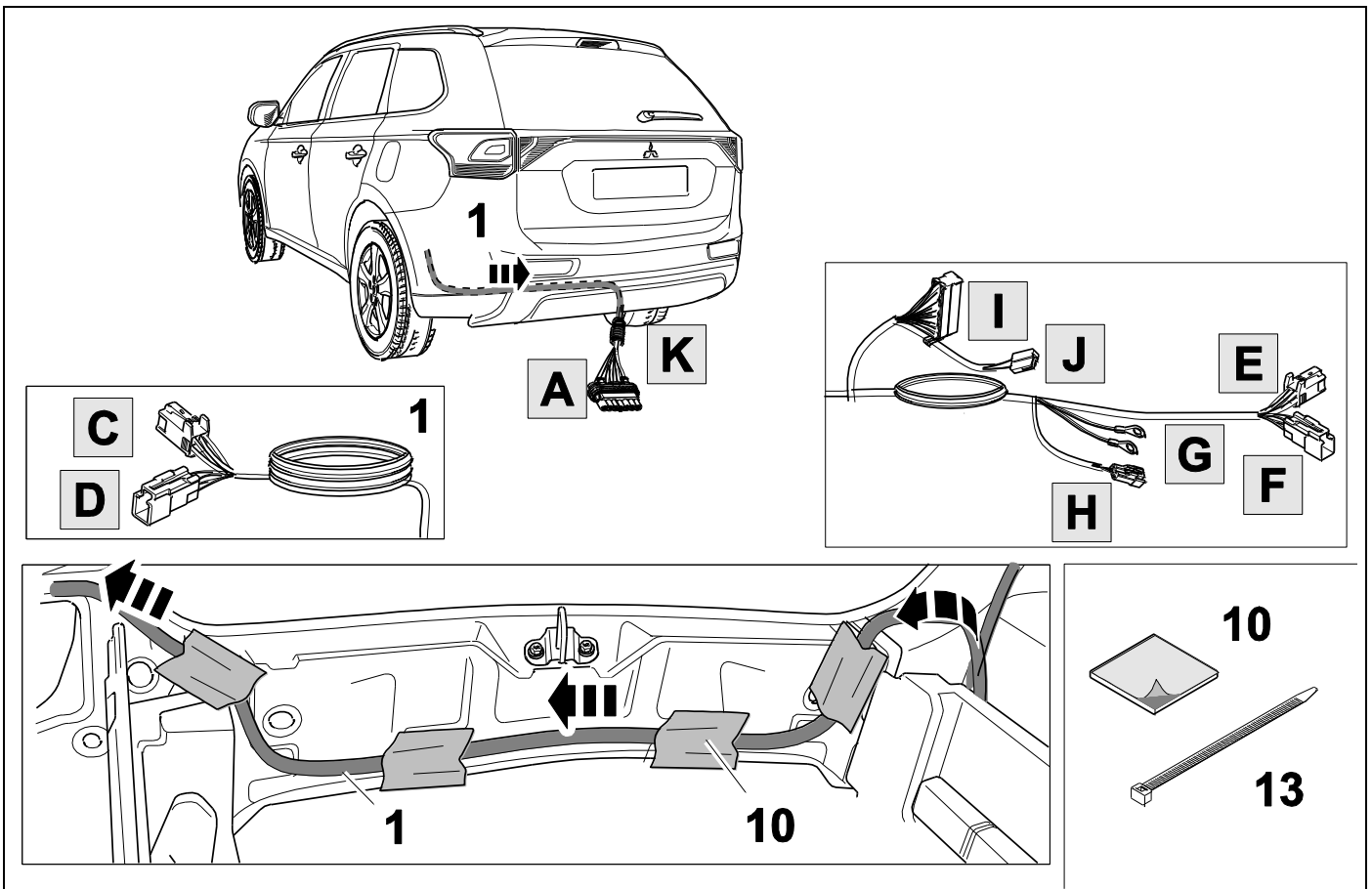
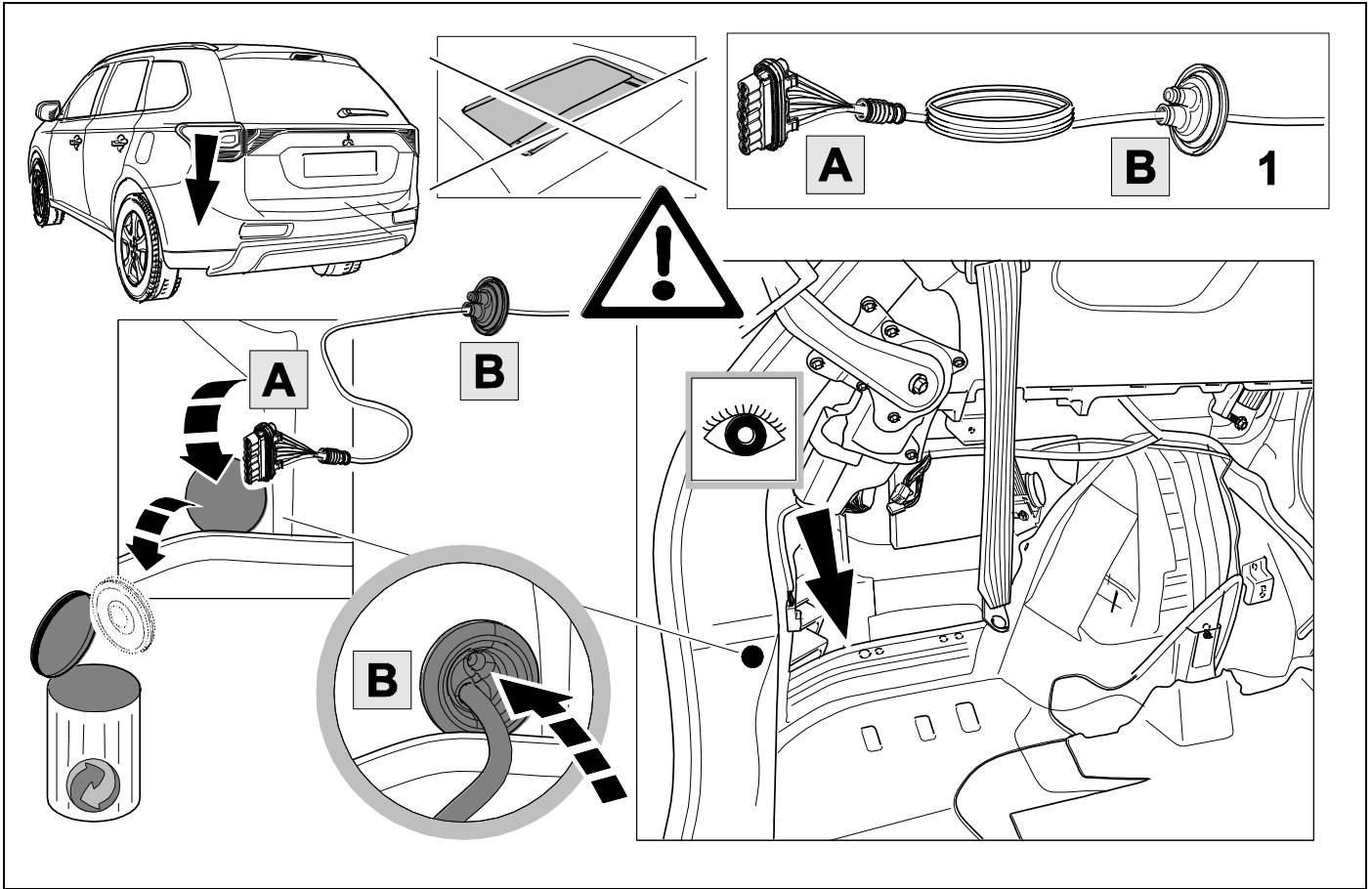
### OPTION 1



6

### OPTION 2









**1** **A**

**2** **CLICK**

**3**

**4**

**5** **CLICK**

**1** **A**

**2** **3**

**4** **5**

**×**

**YouTube**

SCAN to WATCH

**!**

**16** **17**

**2x** **2x**

11



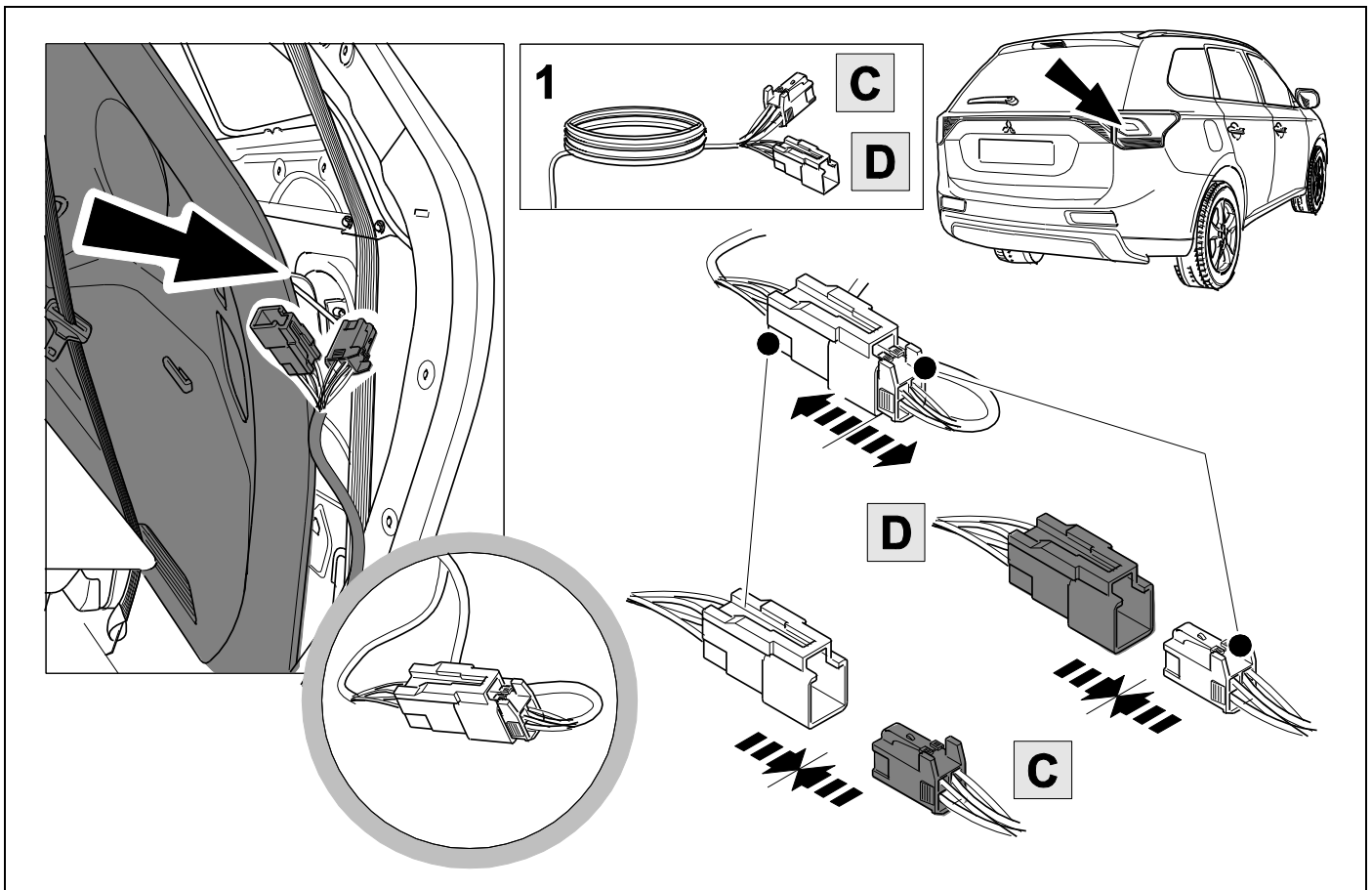
12

1	ye	
2	bk	
3	wh	
4	gn	
5	bu	
6	rd	
7	bn	

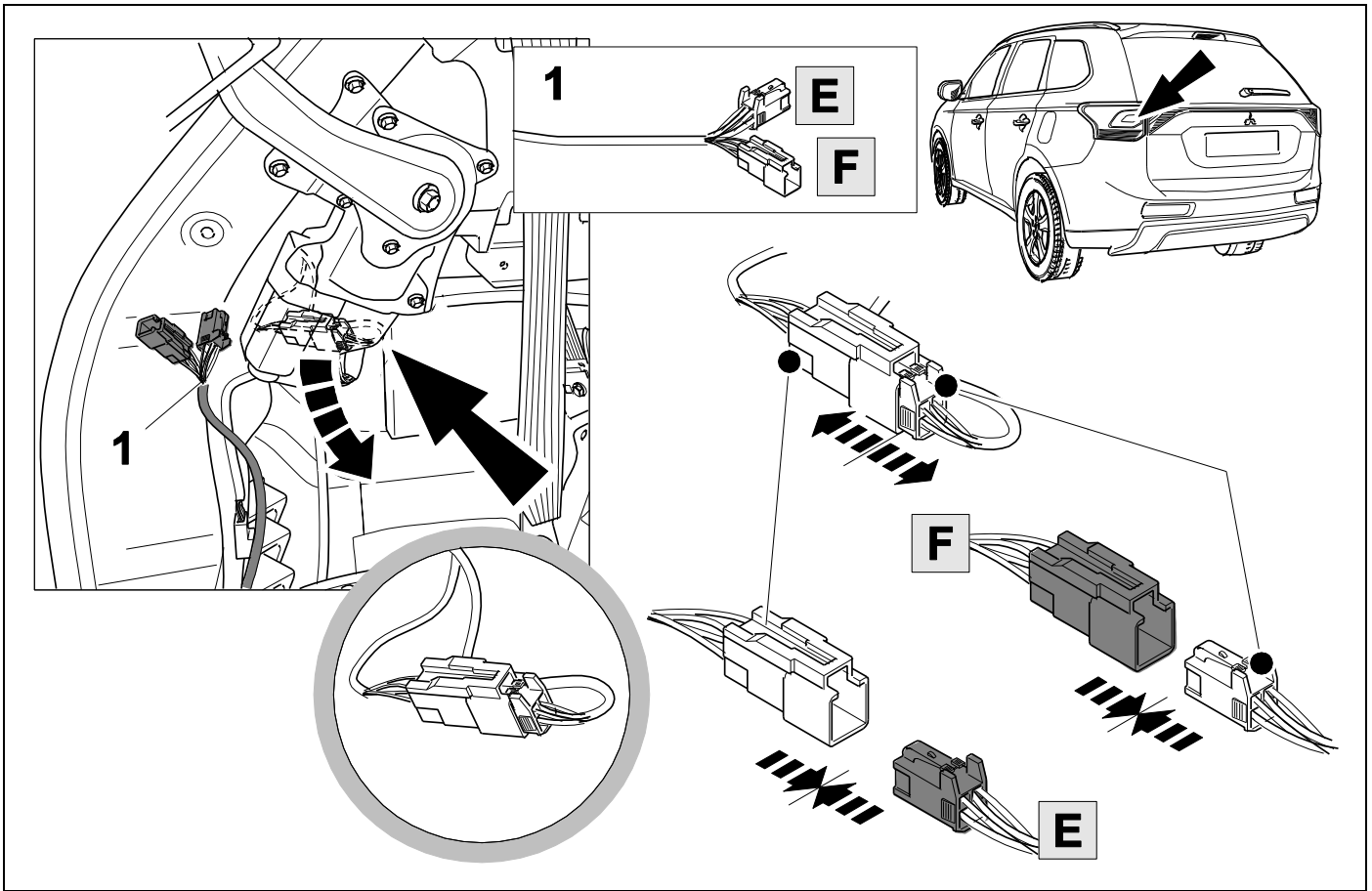
12	bk	wh	gy	gn	rd	bu	ye	bn	pu	or	no
----	----	----	----	----	----	----	----	----	----	----	----

	black	white	grey	green	red	blue	yellow	brown	purple	orange	not occupied
--	-------	-------	------	-------	-----	------	--------	-------	--------	--------	--------------

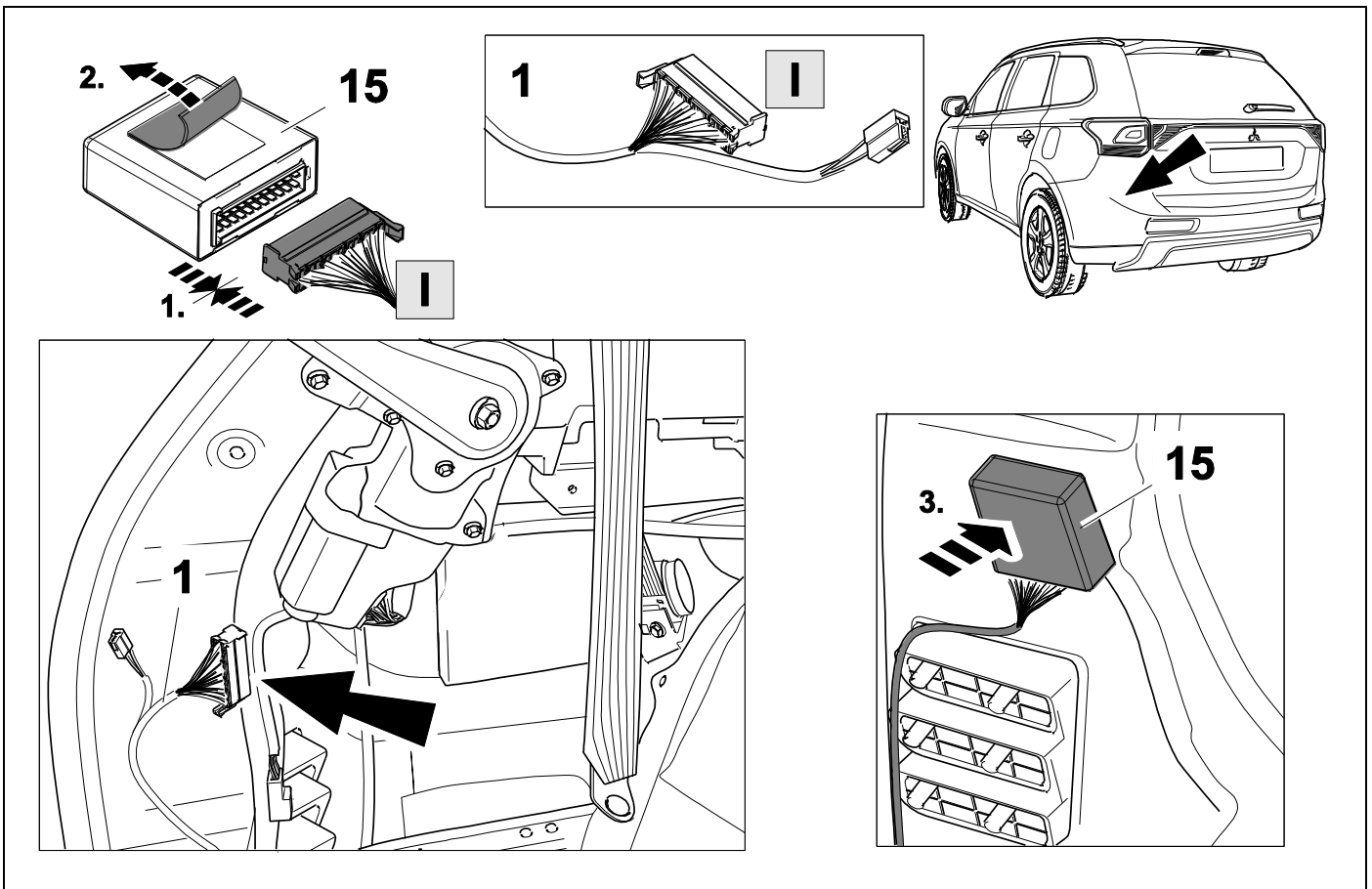
13



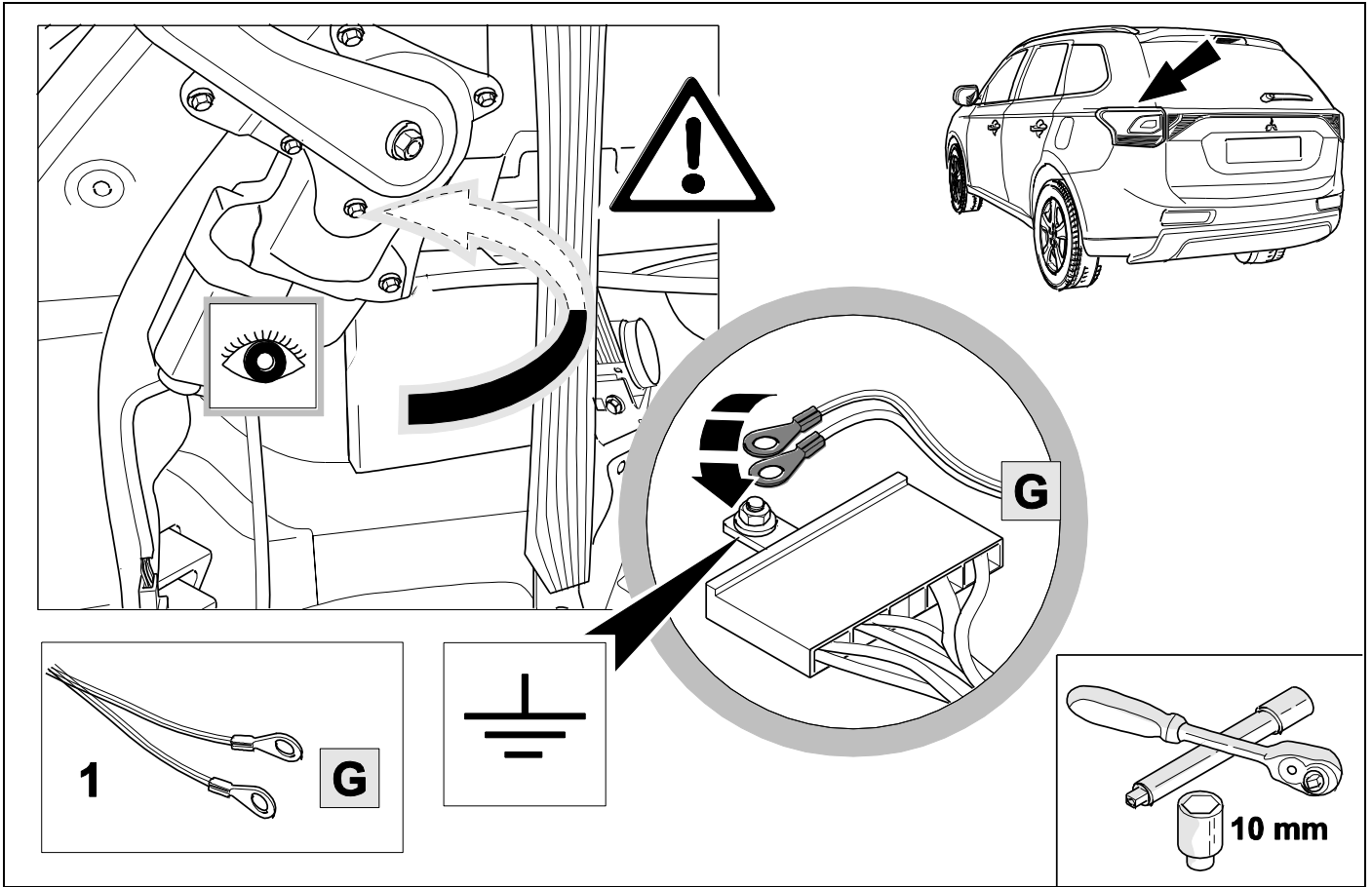
14



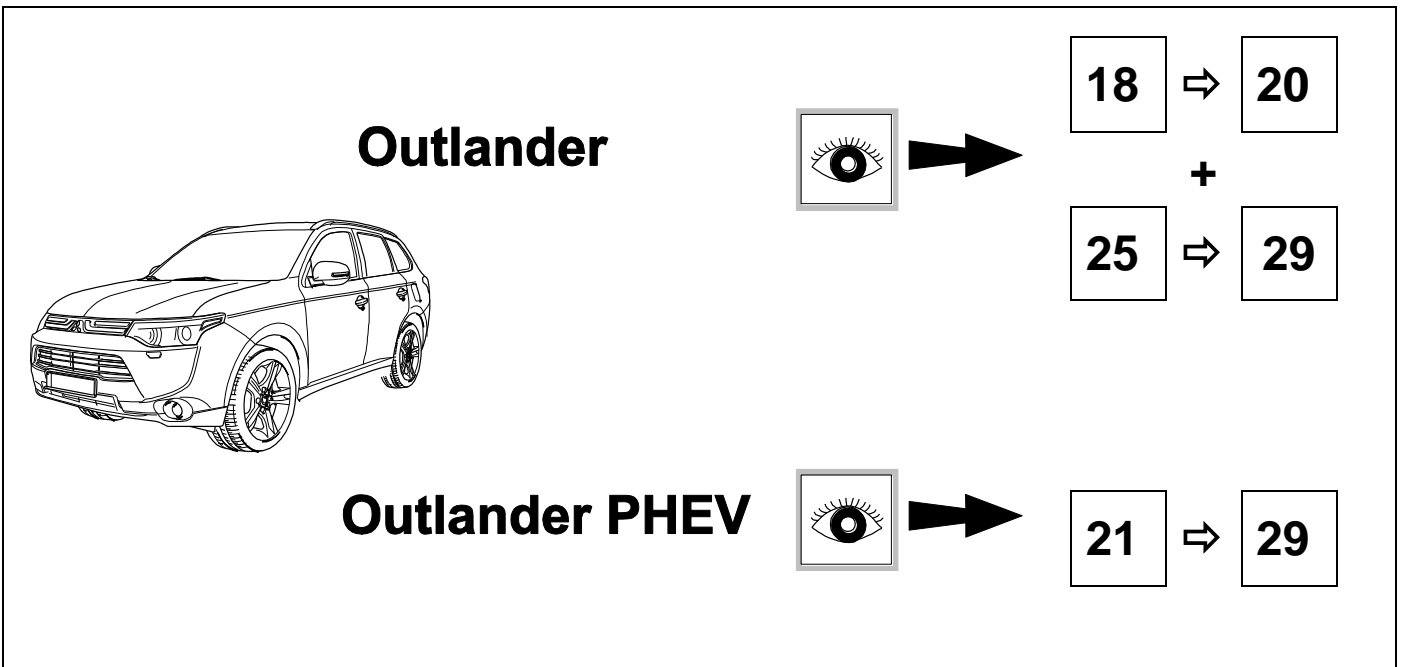
15

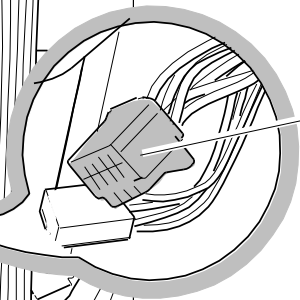
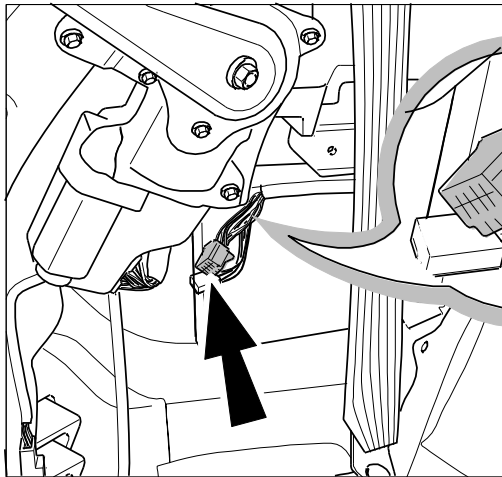


16

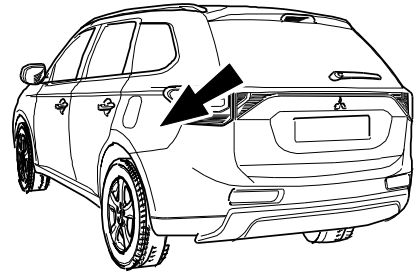


17



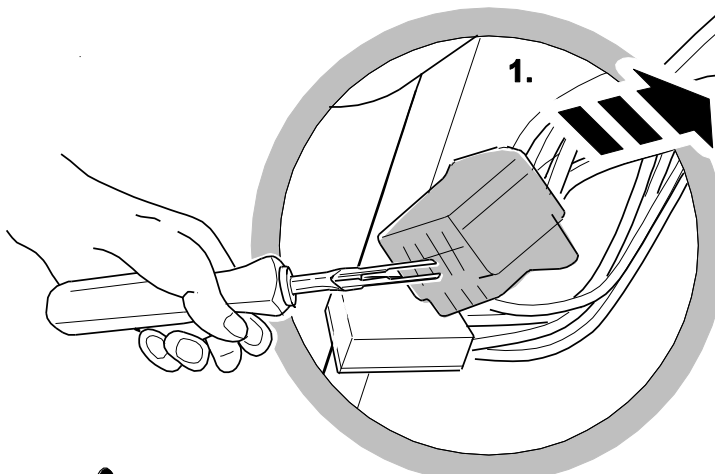


10 PIN

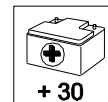


PIN 1

bu



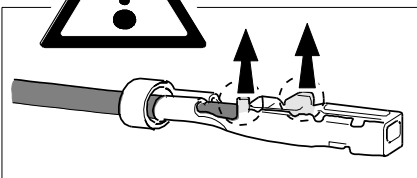
PIN 5 gn



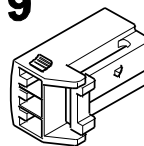
Connecting the green wire (pin 5) is optional. If it is not present only connect the red constant power wire from pin 7.

PIN 7

rd



9



Connecting the green wire (pin 2) is optional. If it is not present only connect the red constant power wire to pin 1.

2.

bu

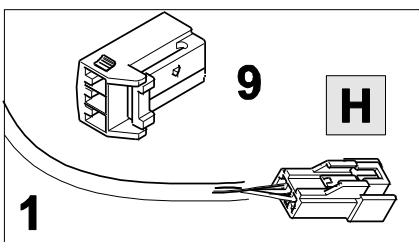
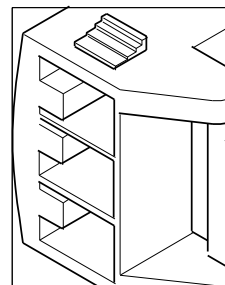
gn

PIN 3

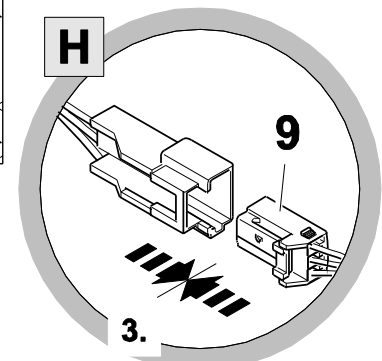
PIN 2

PIN 1

rd



H



3.

19

# OUTLANDER

13

1.

2.

3.

13

13

12

20

# OUTLANDER

12

13

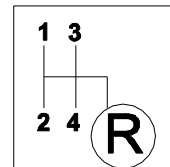
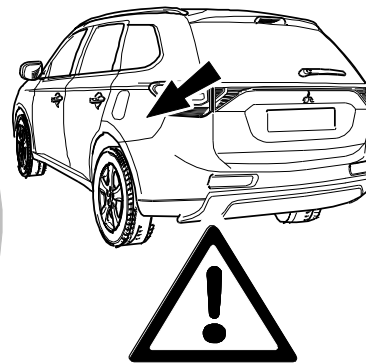
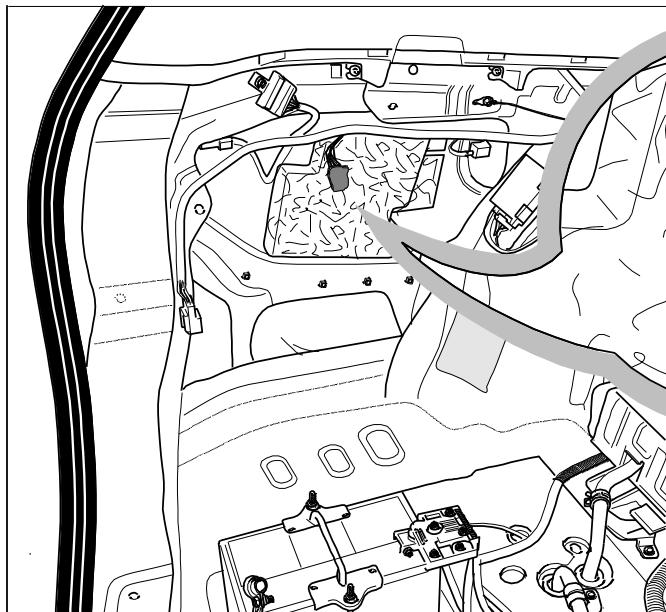
13

13

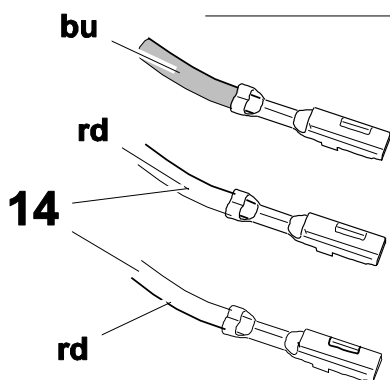
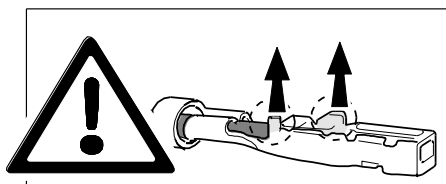
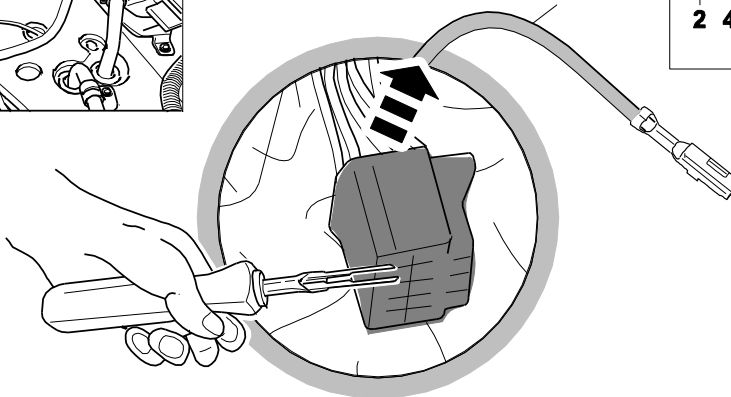
12

10 mm

+ 30



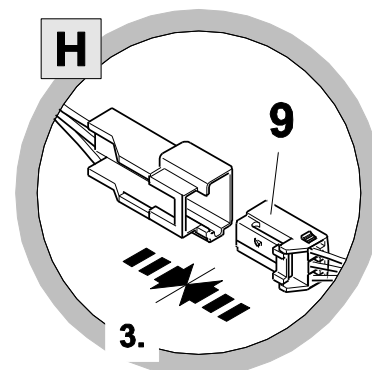
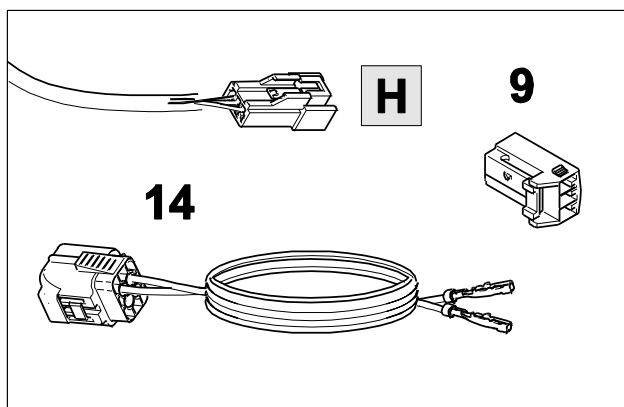
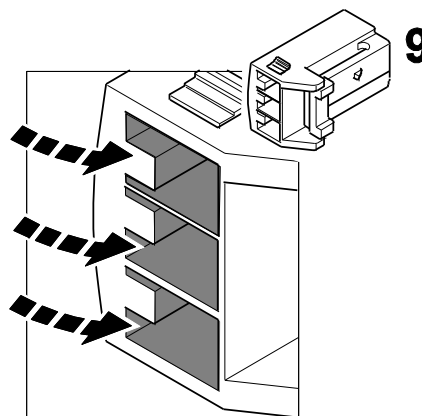
PIN 7 bu



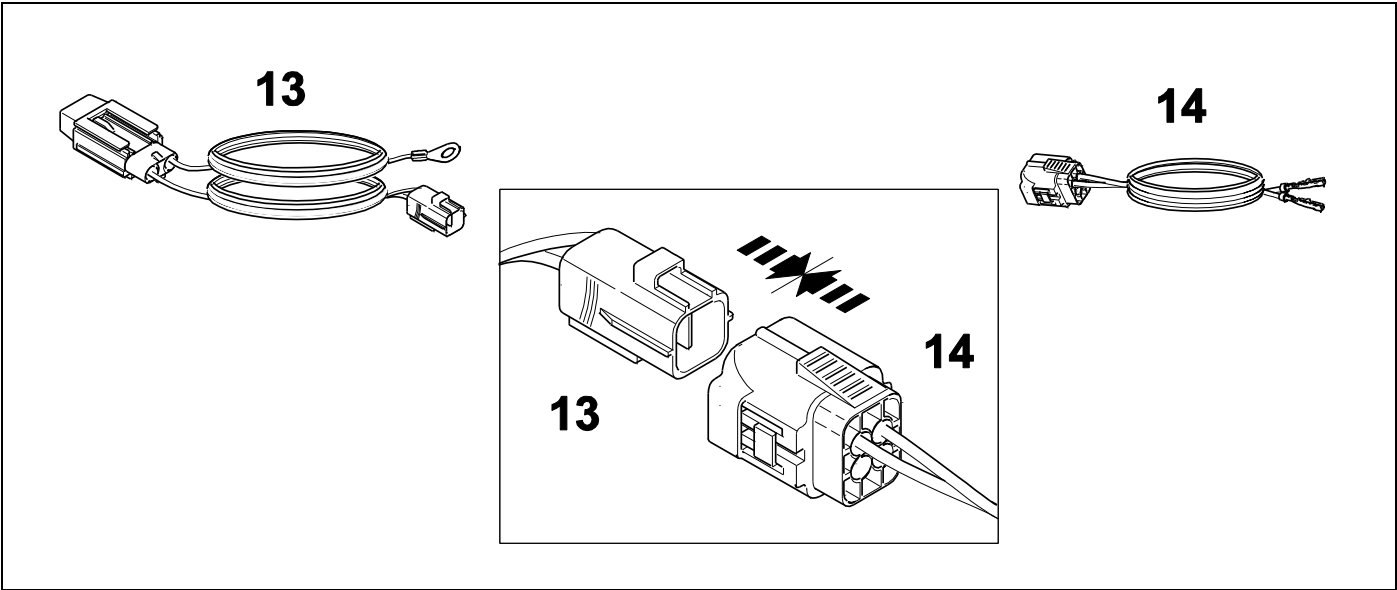
PIN 3

PIN 2

PIN 1

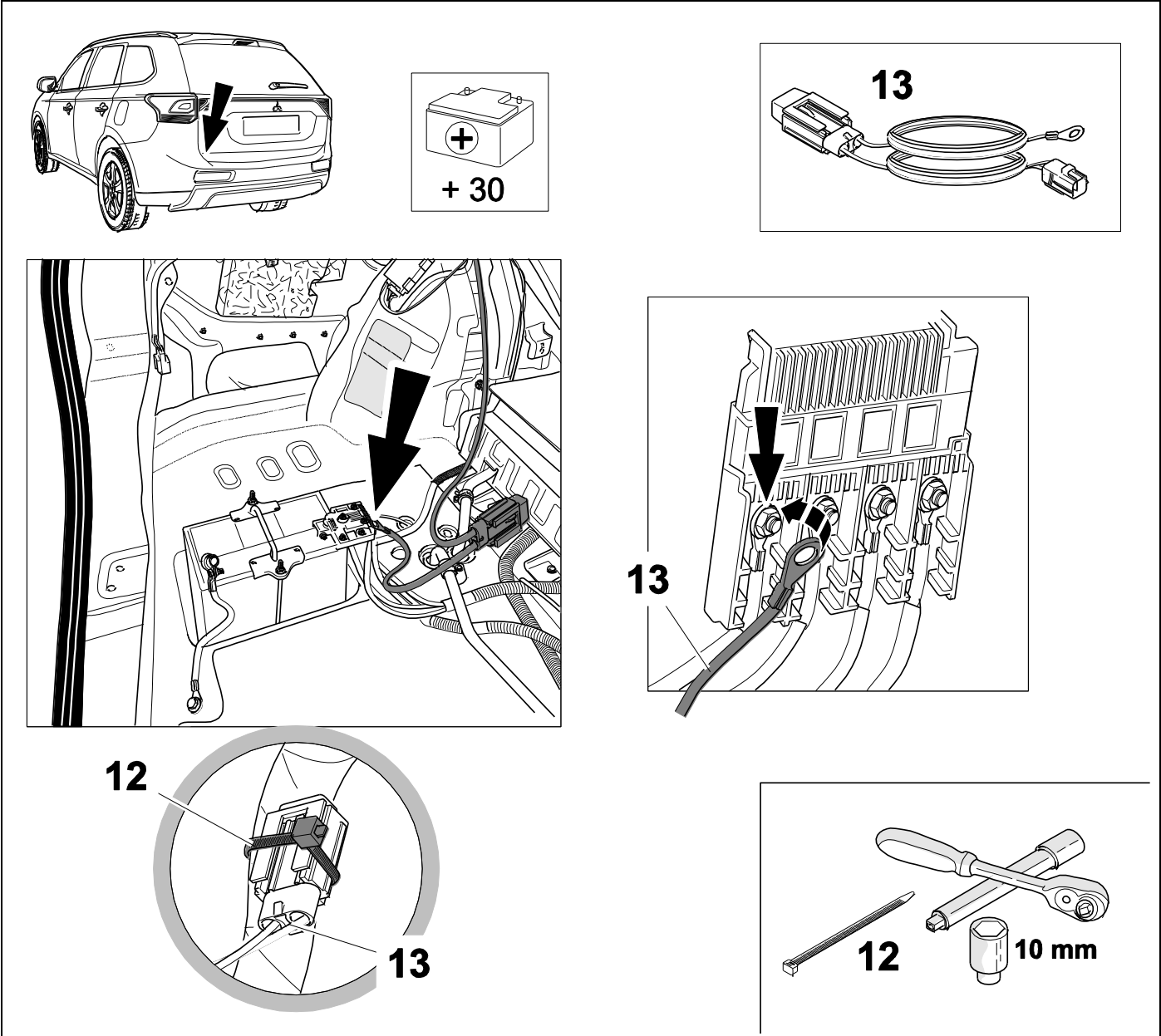


22

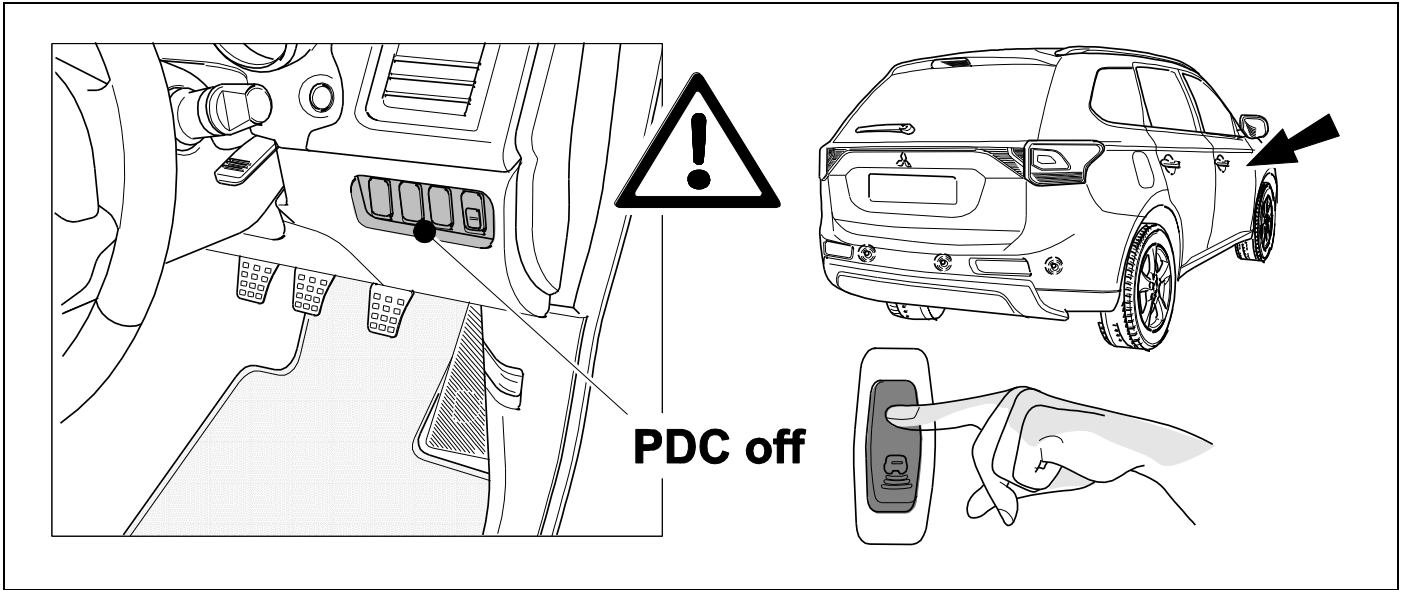


23

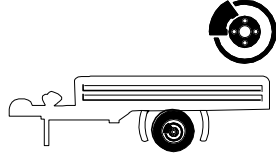
### OUTLANDER PHEV



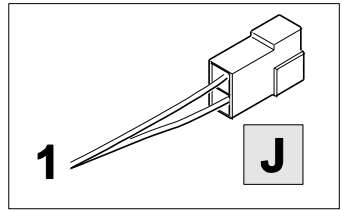




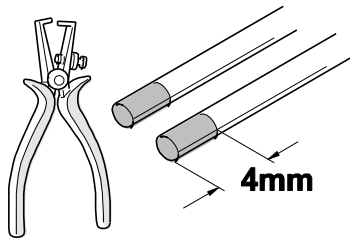
**BRAKE  
CONTROLLER  
PREPARED**



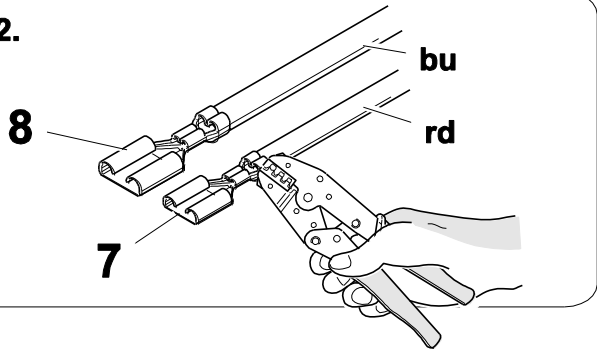
**Trailer Brake Preparation**



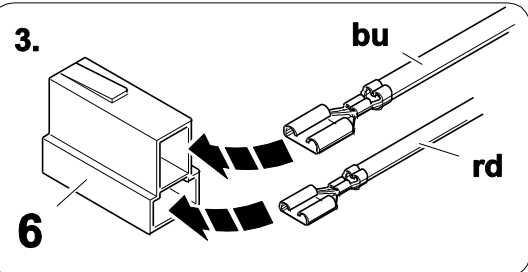
1.



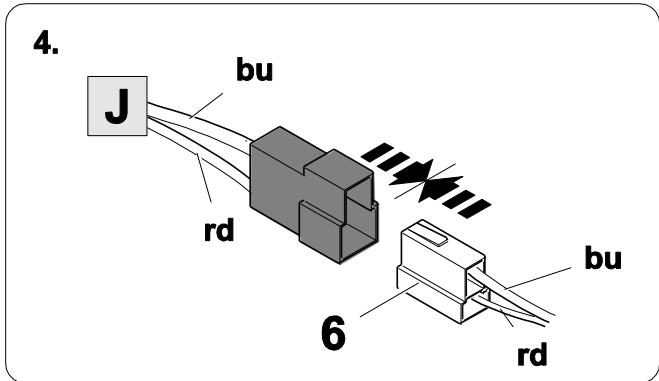
2.



3.



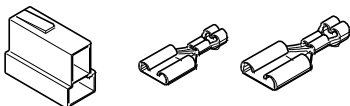
4.

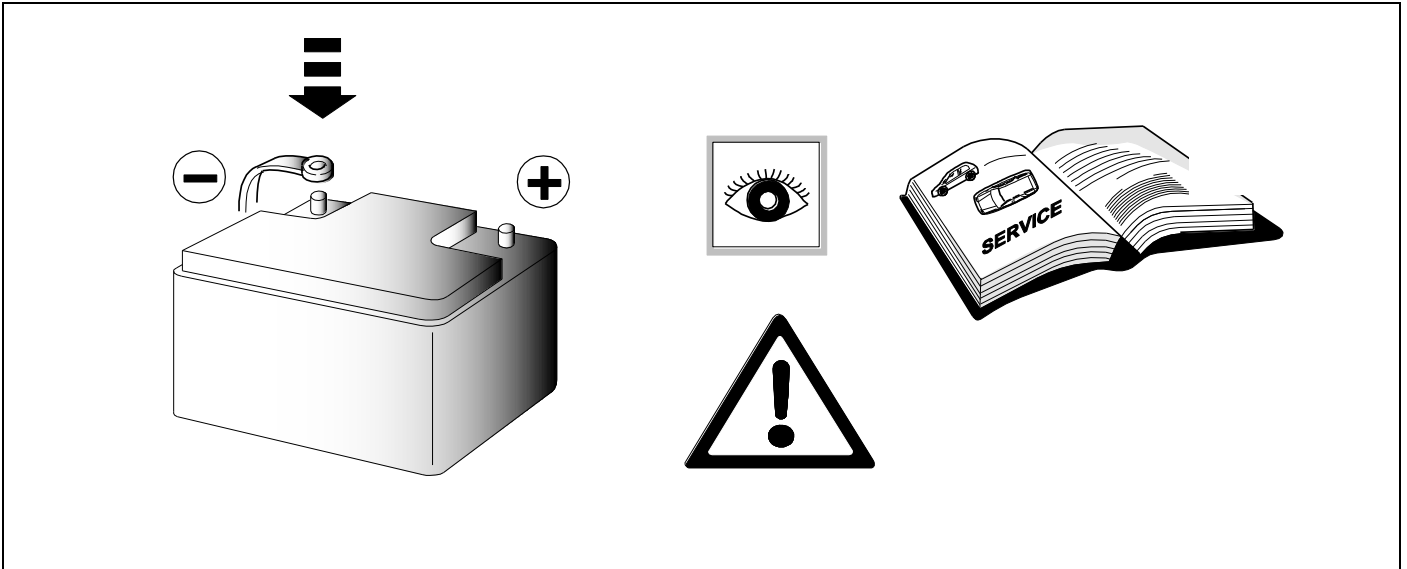


6

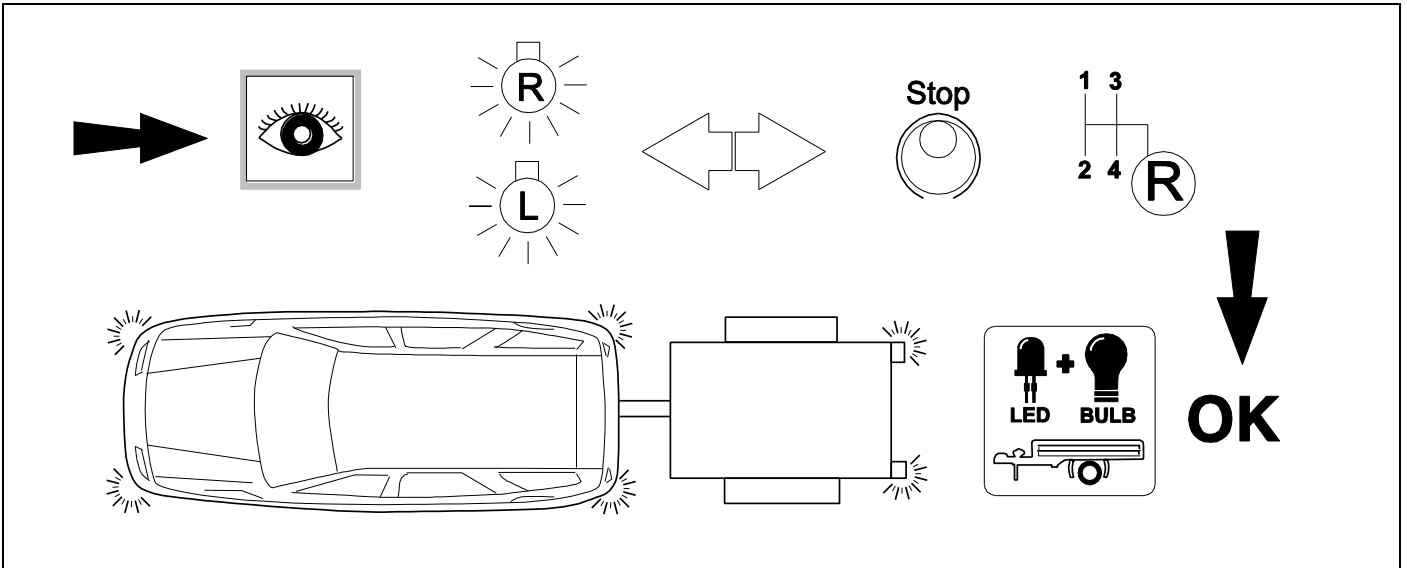
7

8

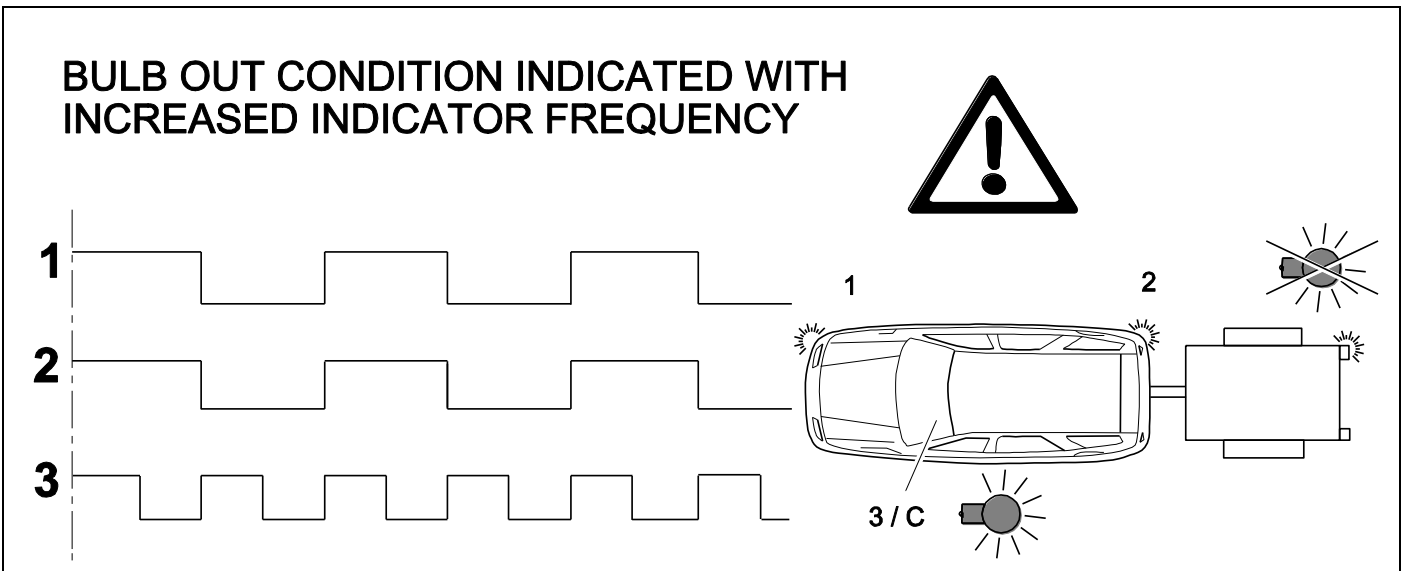




**CHECK ALL LIGHTING FUNCTIONS**

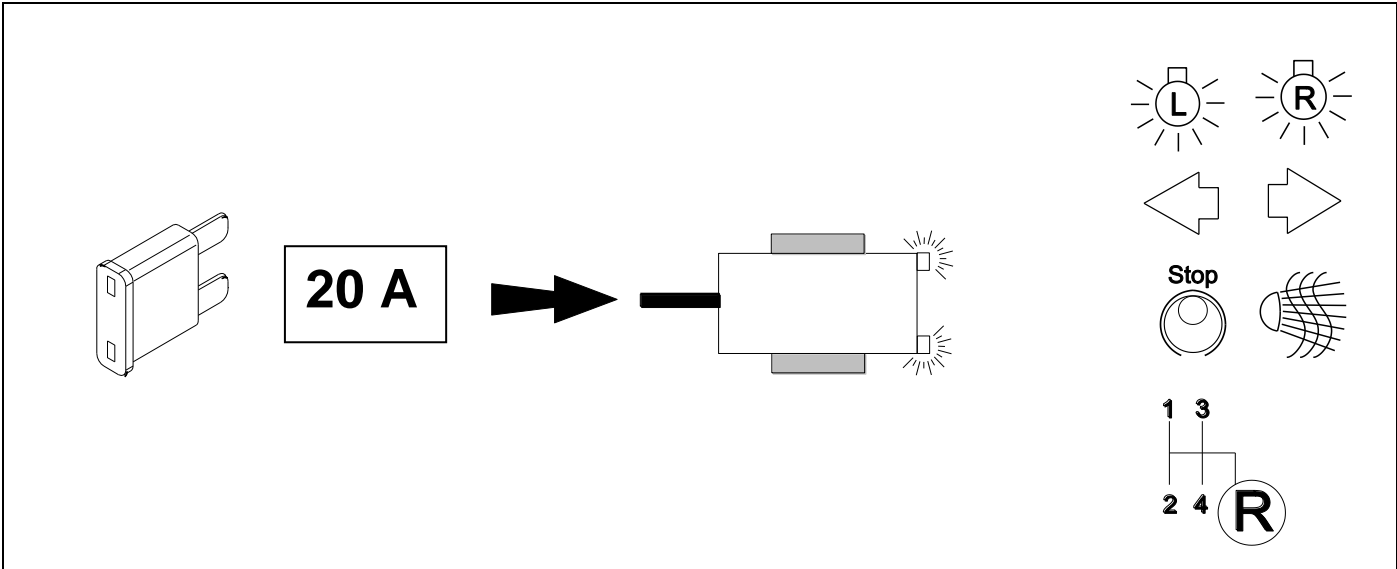


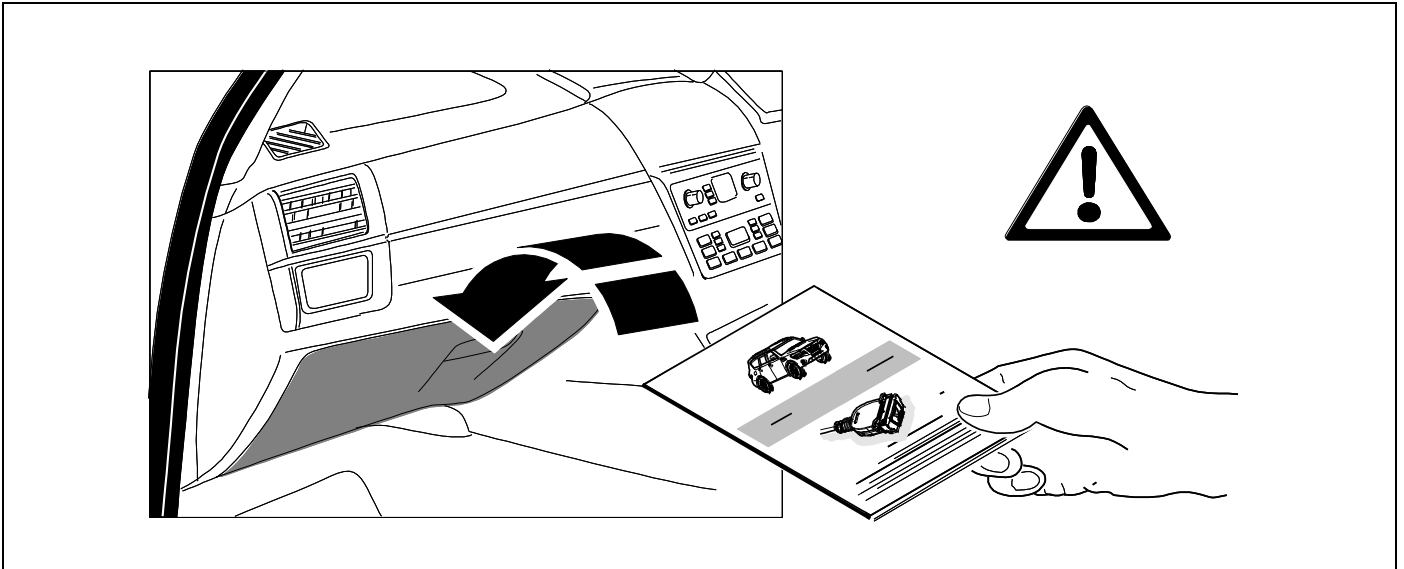
**CHECK BULB OUT DETECTION**



29

 ⇒ **19** + **23**





Subject to change in terms of construction, equipment and colour, and may contain errors.  
The information and illustrations are non-binding.