

## 750073EJ

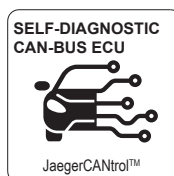
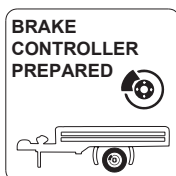
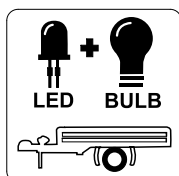
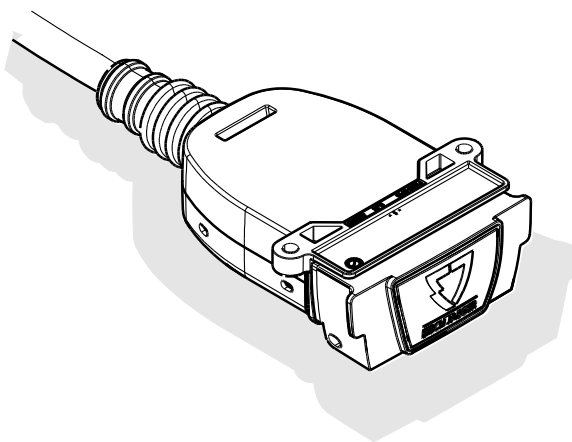
**AUDI Q7**  
**VW TOUAREG**

**07/15 >>**

**06/18 >>**



SCAN FOR  
LATEST  
INSTRUCTIONS



### Reference:

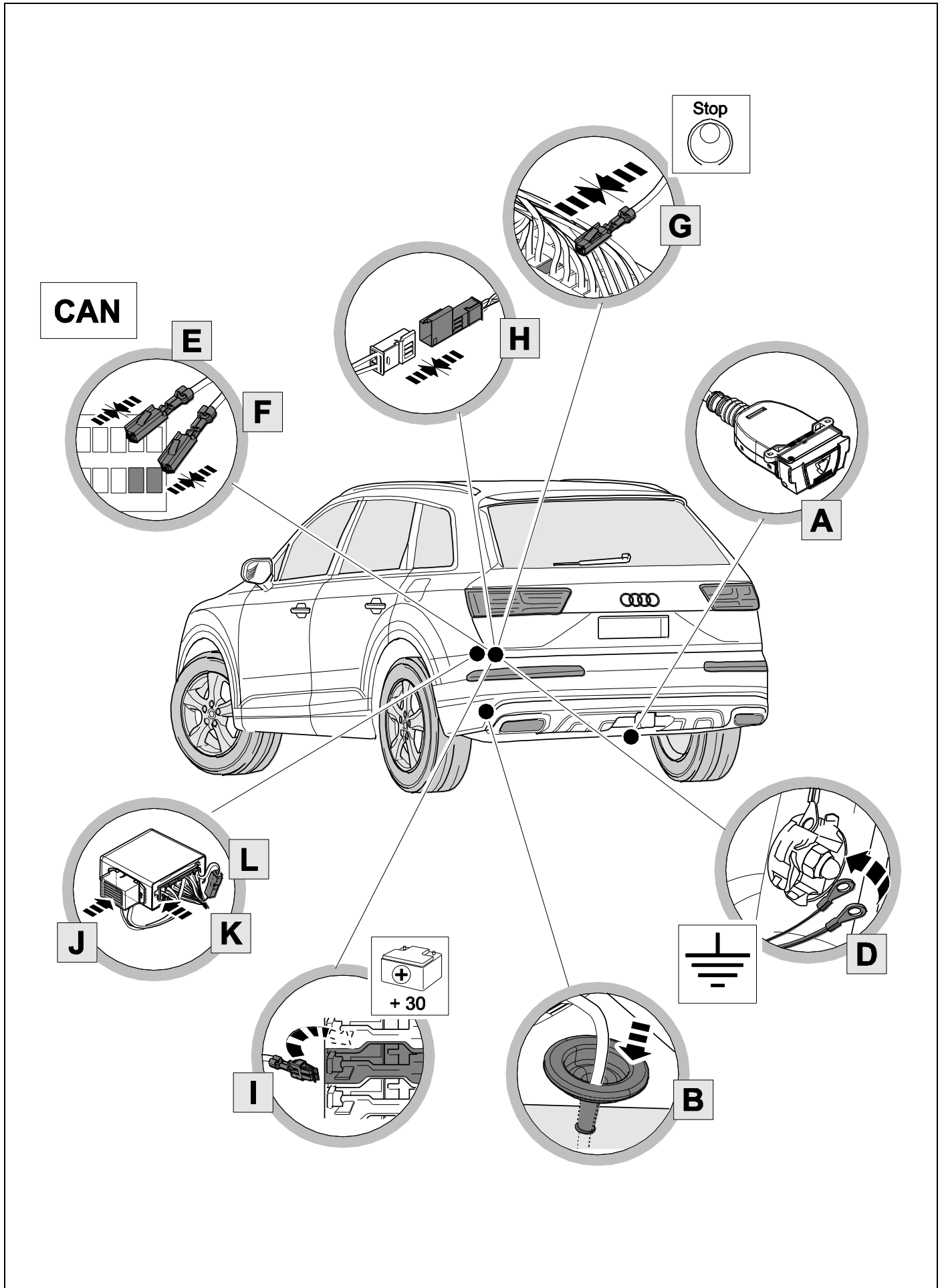
The following information must be reviewed before beginning the assembly:

The installation instructions are to be thoroughly read.

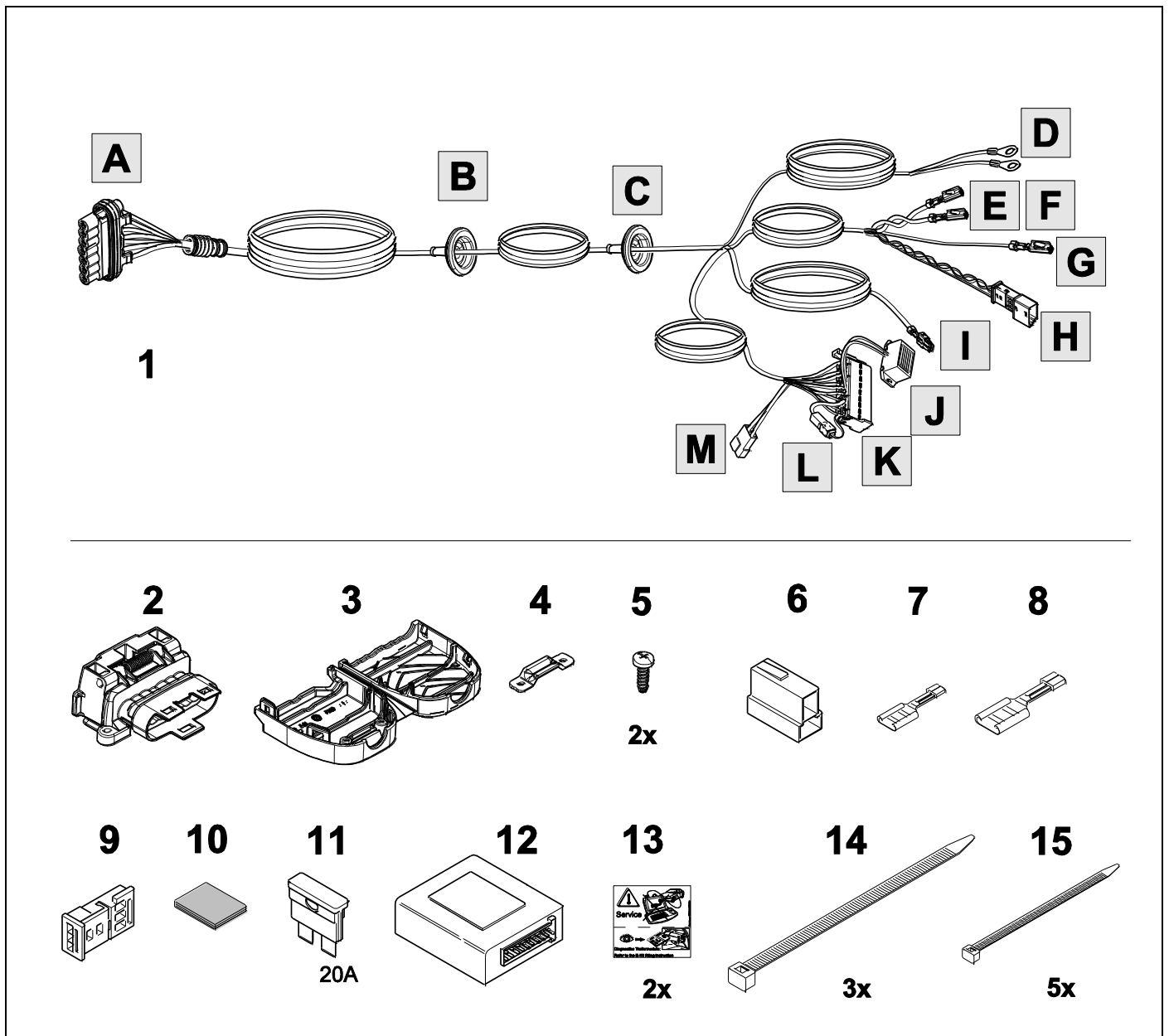
The installation should be carried out by qualified personnel with the relevant technical knowledge. The vehicle manufacturers' current technical notices and information on retrofitting must be followed. The removal and replacement instructions found in the current repair manuals must be followed.

It must be ensured that the vehicle is technically suitable for the installation of a trailer hitch.

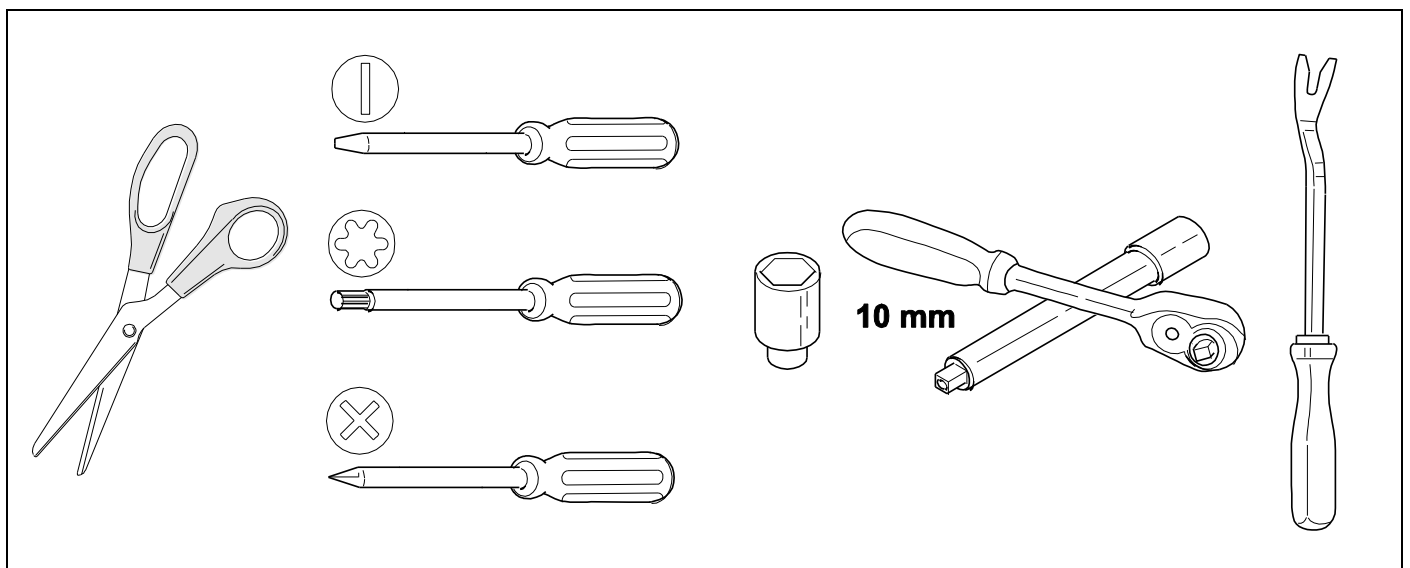
# OVERVIEW



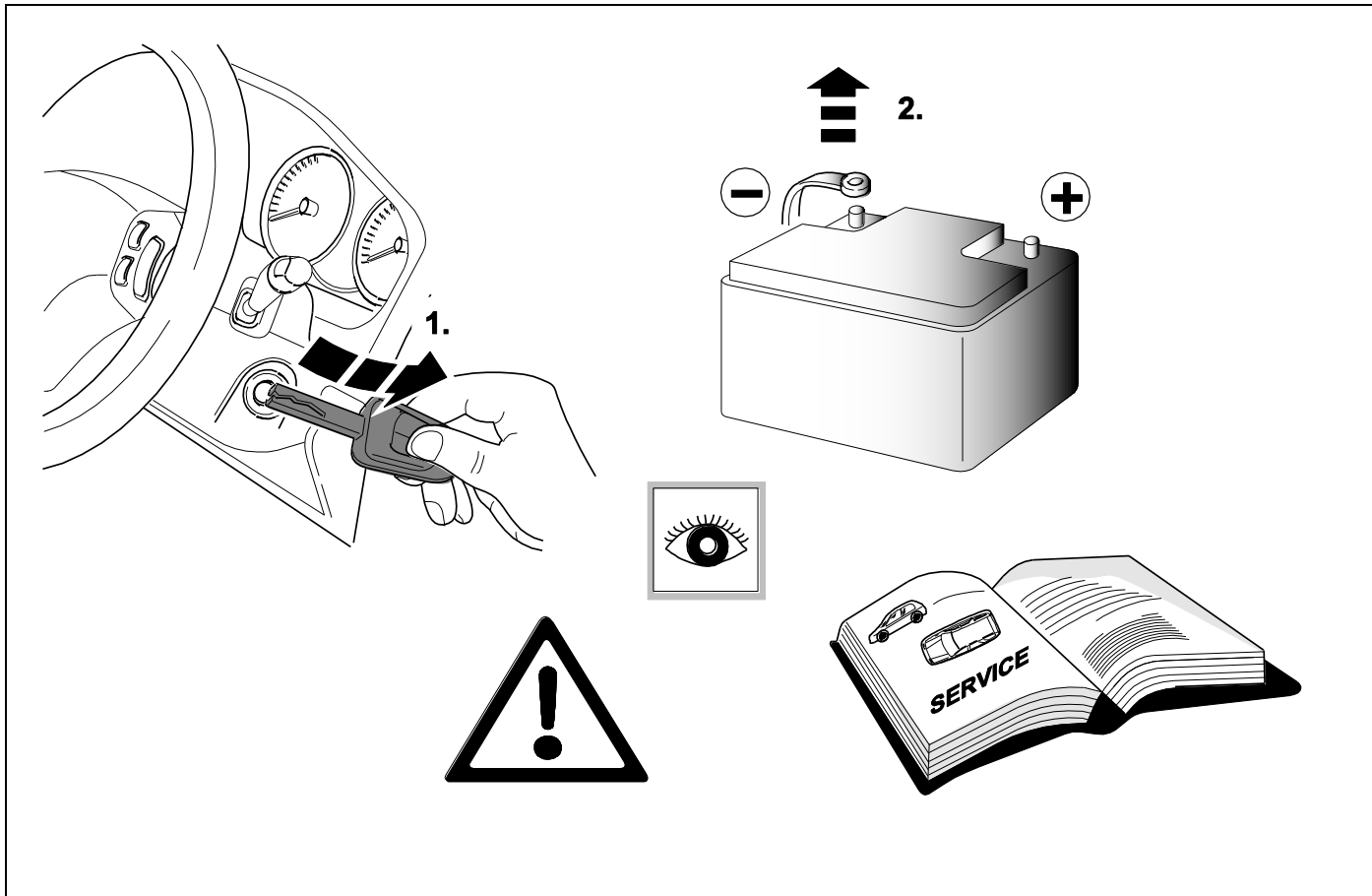
# KIT



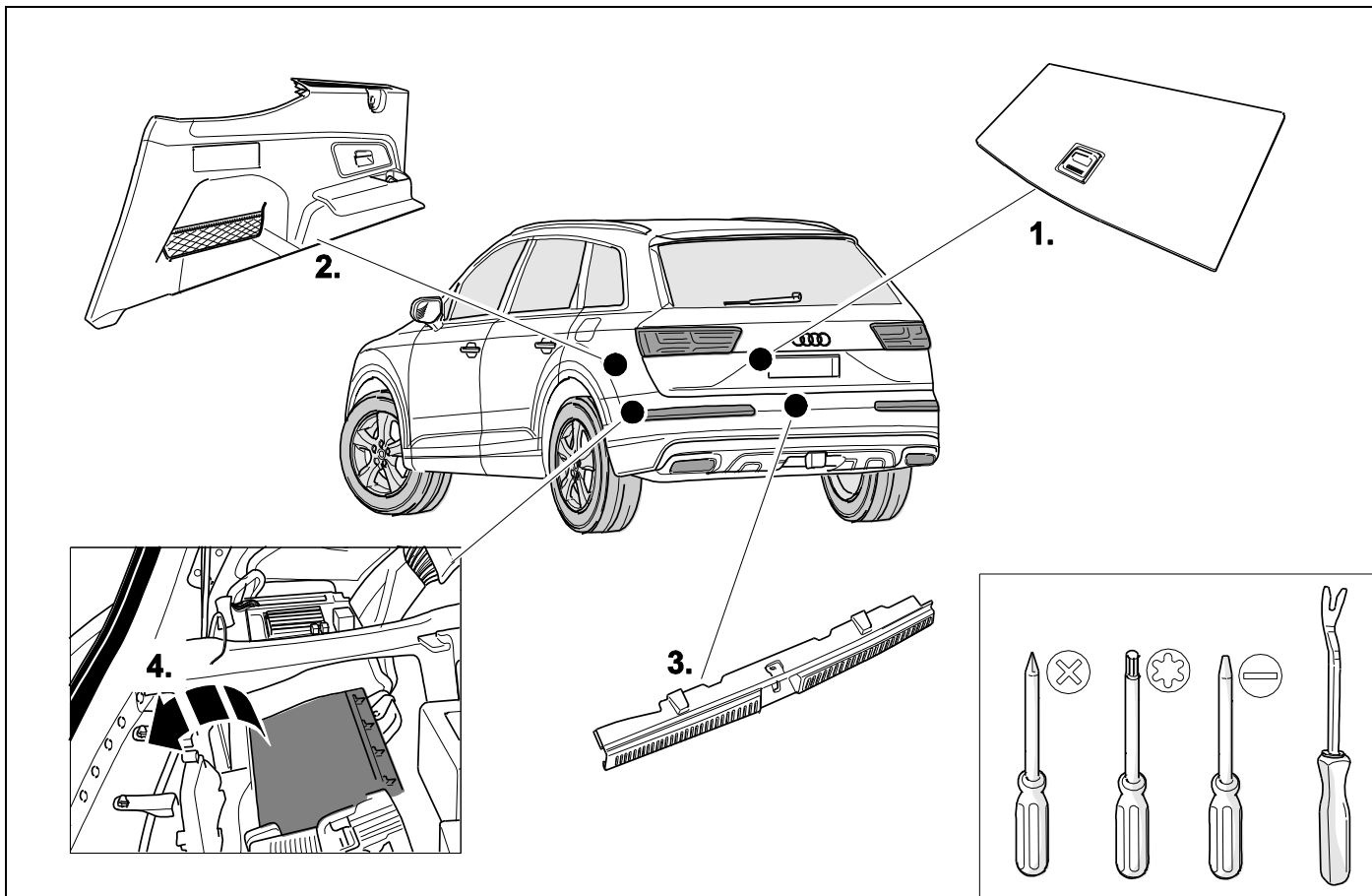
# TOOLS

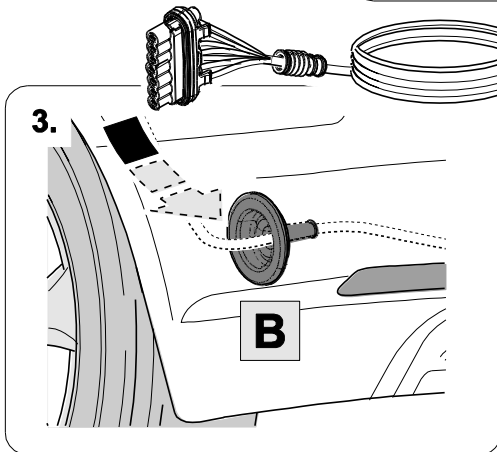
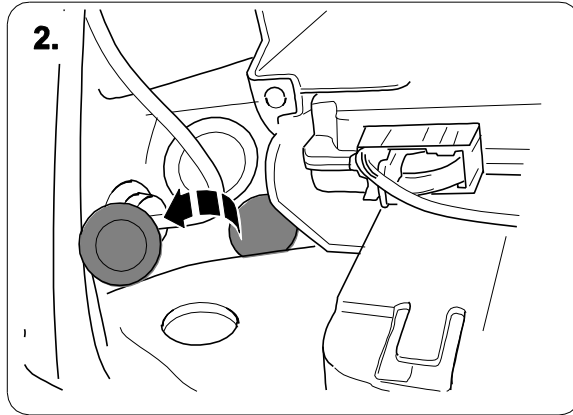
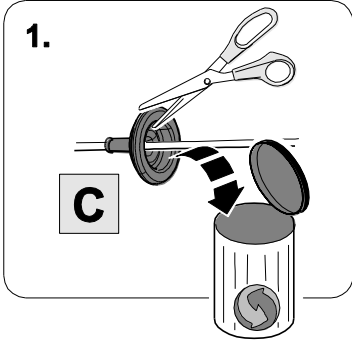
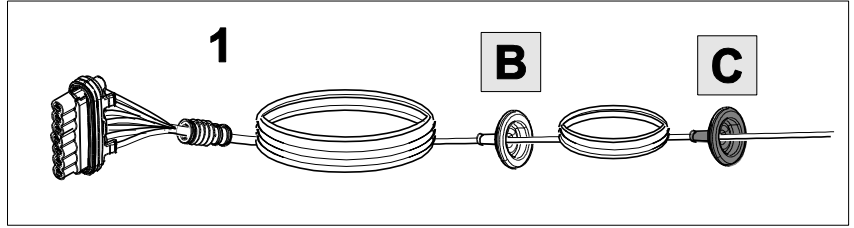
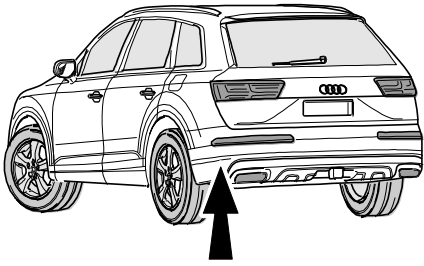


1

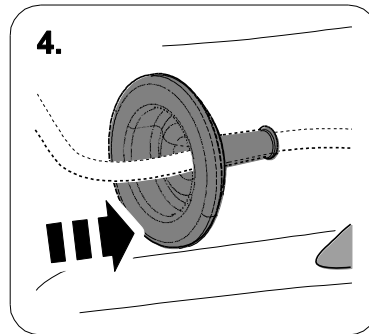


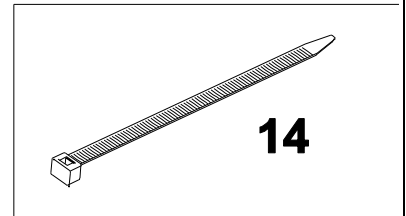
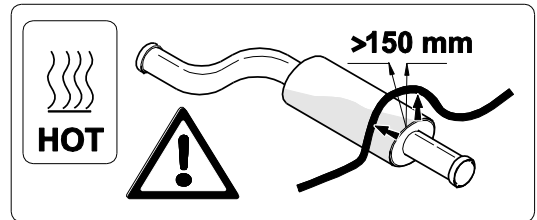
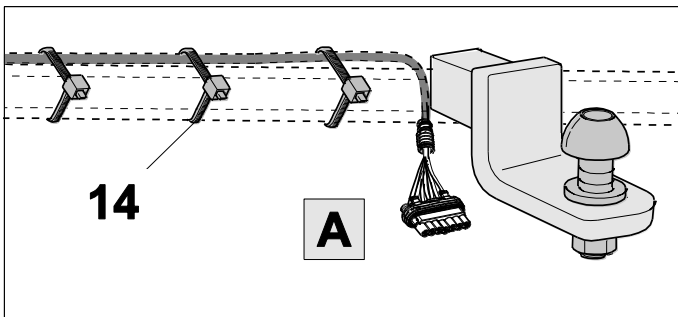
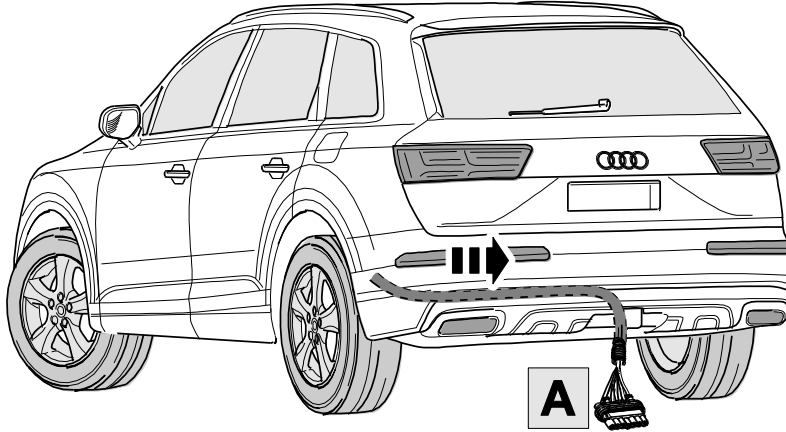
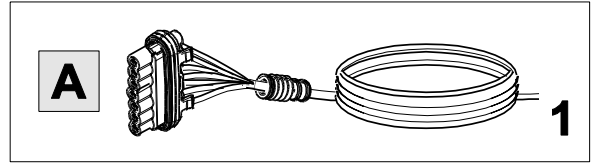
2



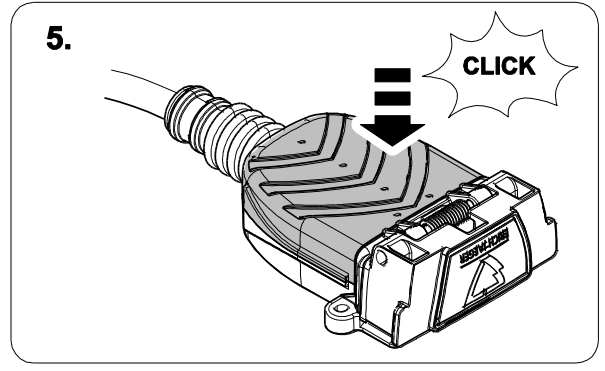
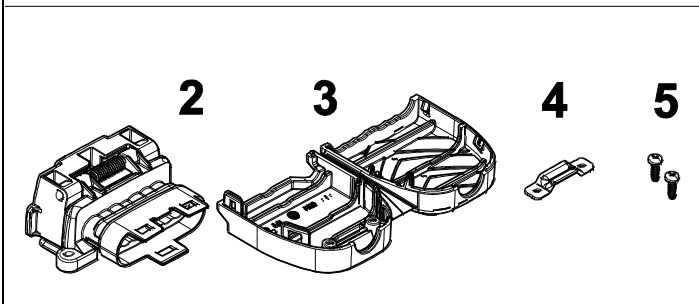
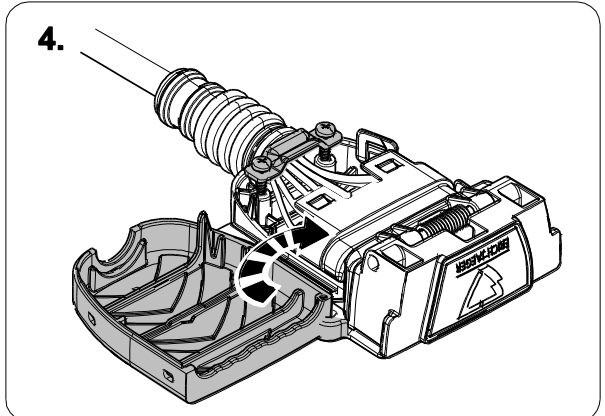
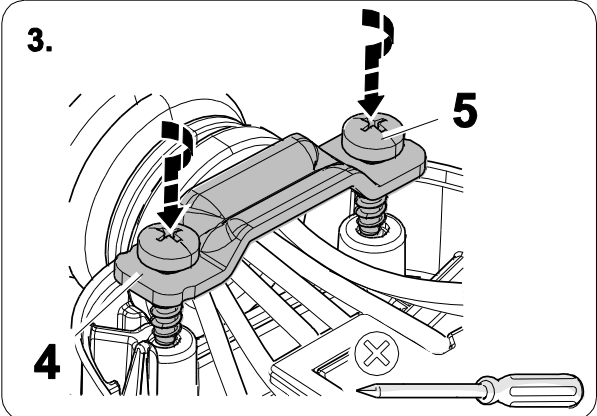
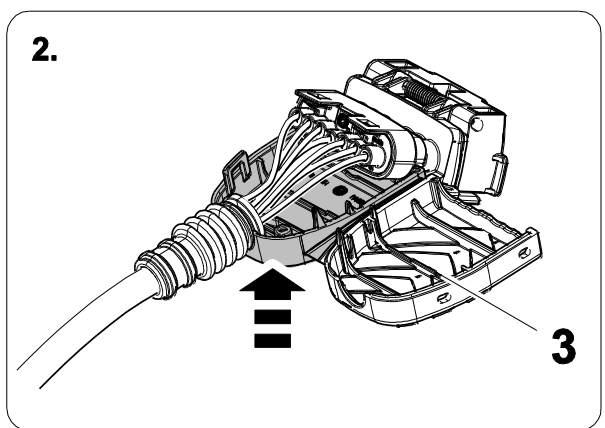
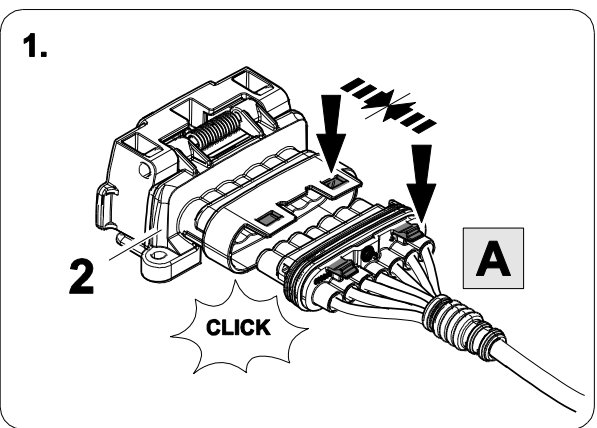


B

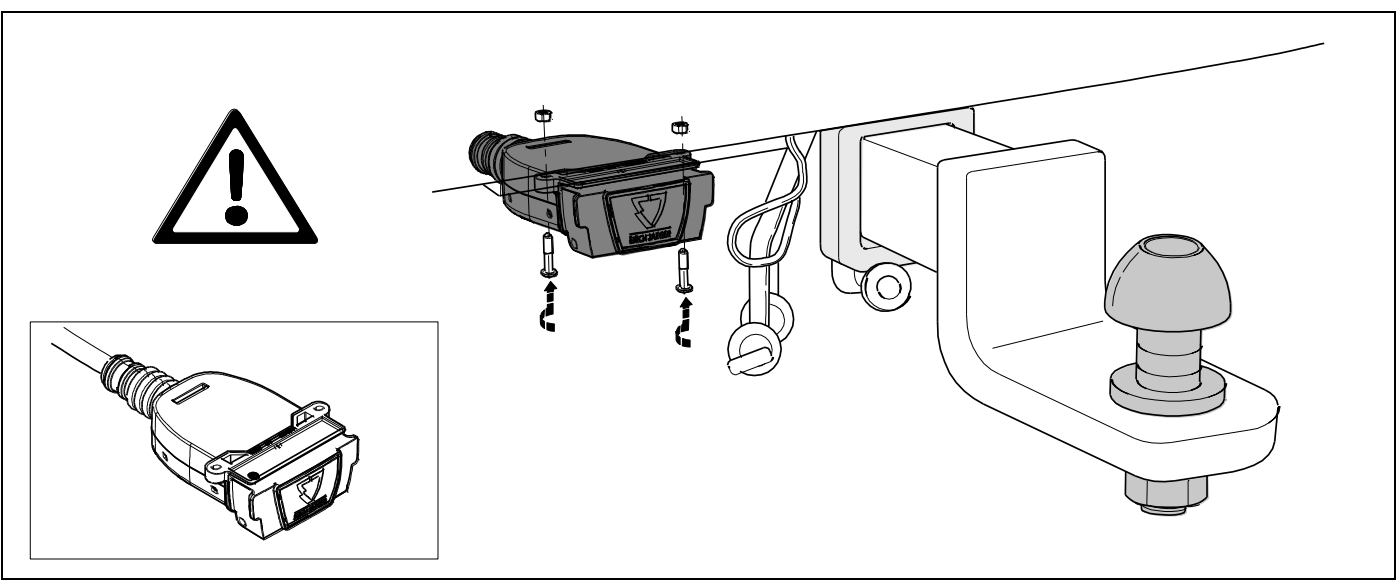




5



6



7



8

1	ye	
2	bk	
3	wh	
4	gn	
5	bu	
6	rd	
7	bn	

8	bk	wh	gy	gn	rd	bu	ye	bn	pu	or	no
---	----	----	----	----	----	----	----	----	----	----	----

	black	white	grey	green	red	blue	yellow	brown	purple	orange	not occupied
--	-------	-------	------	-------	-----	------	--------	-------	--------	--------	--------------

9

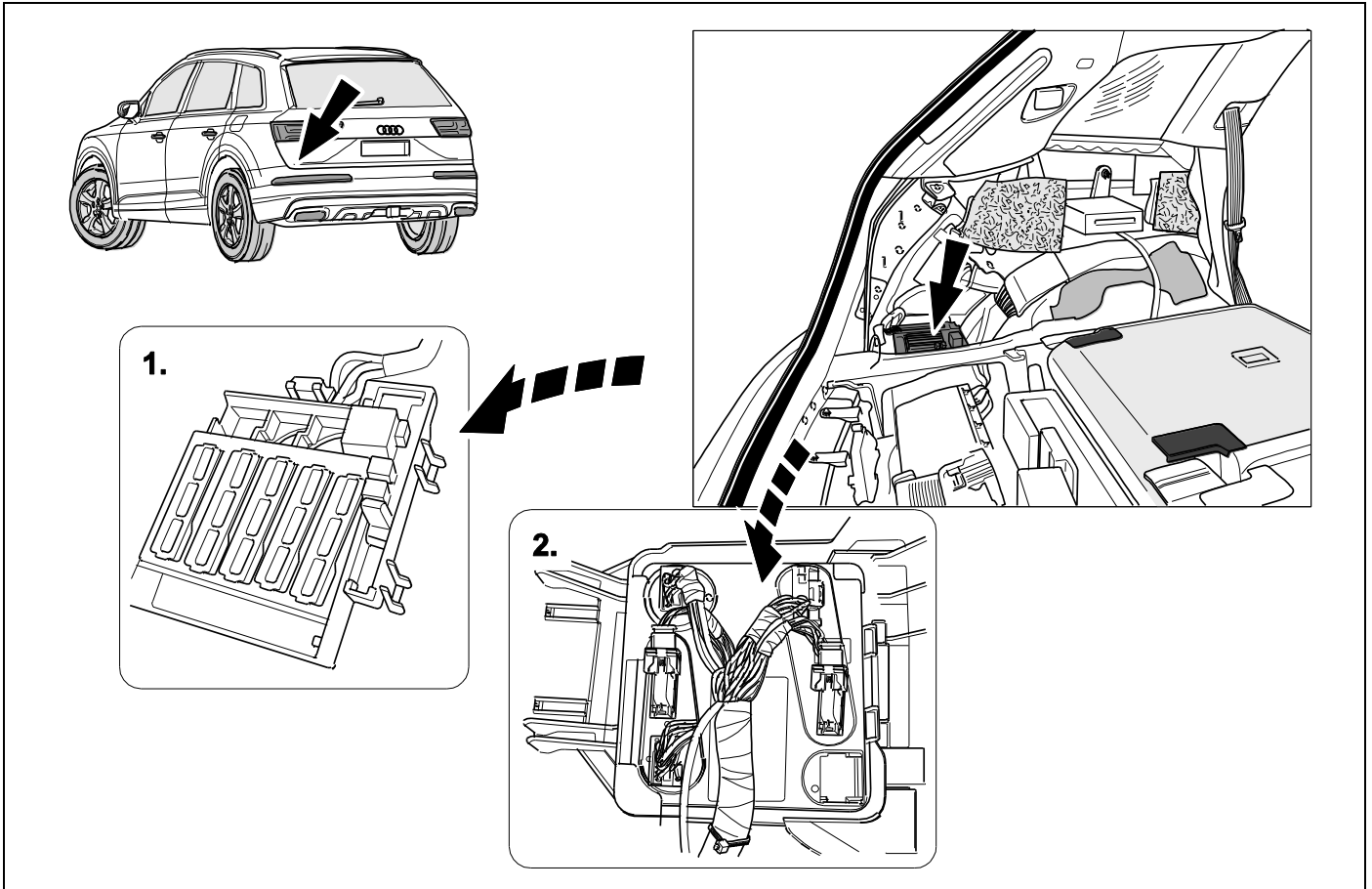
The main diagram shows the interior of a car with a warning sign (exclamation mark in a triangle) and an eye icon. Dashed lines from the eye icon point to a component in the center console area. A circular inset shows a close-up of a hand using a screwdriver to work on a component, with a ground symbol icon next to it. A label 'D' is placed near the inset.

1 **D**

10 mm



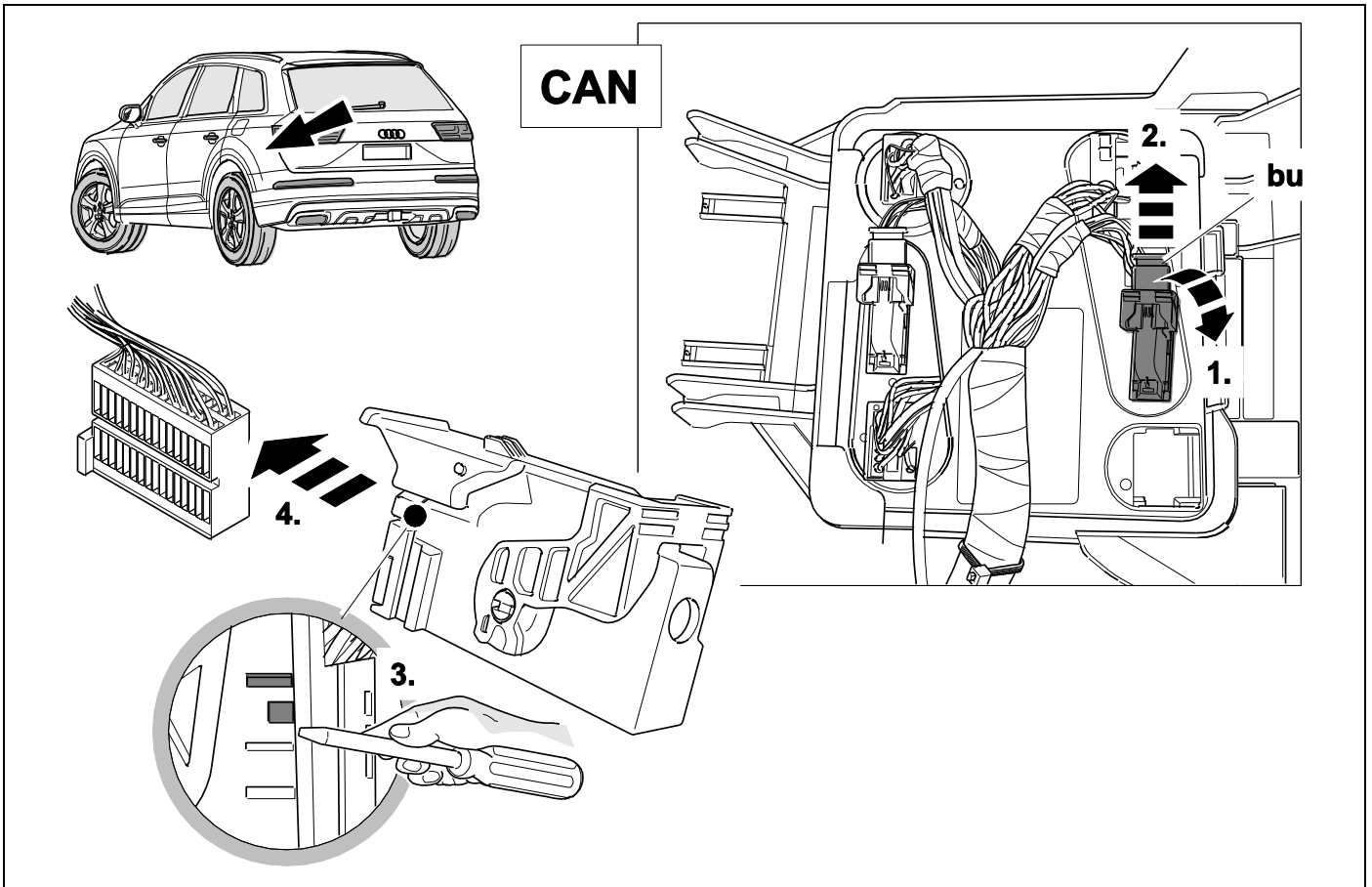
10



11



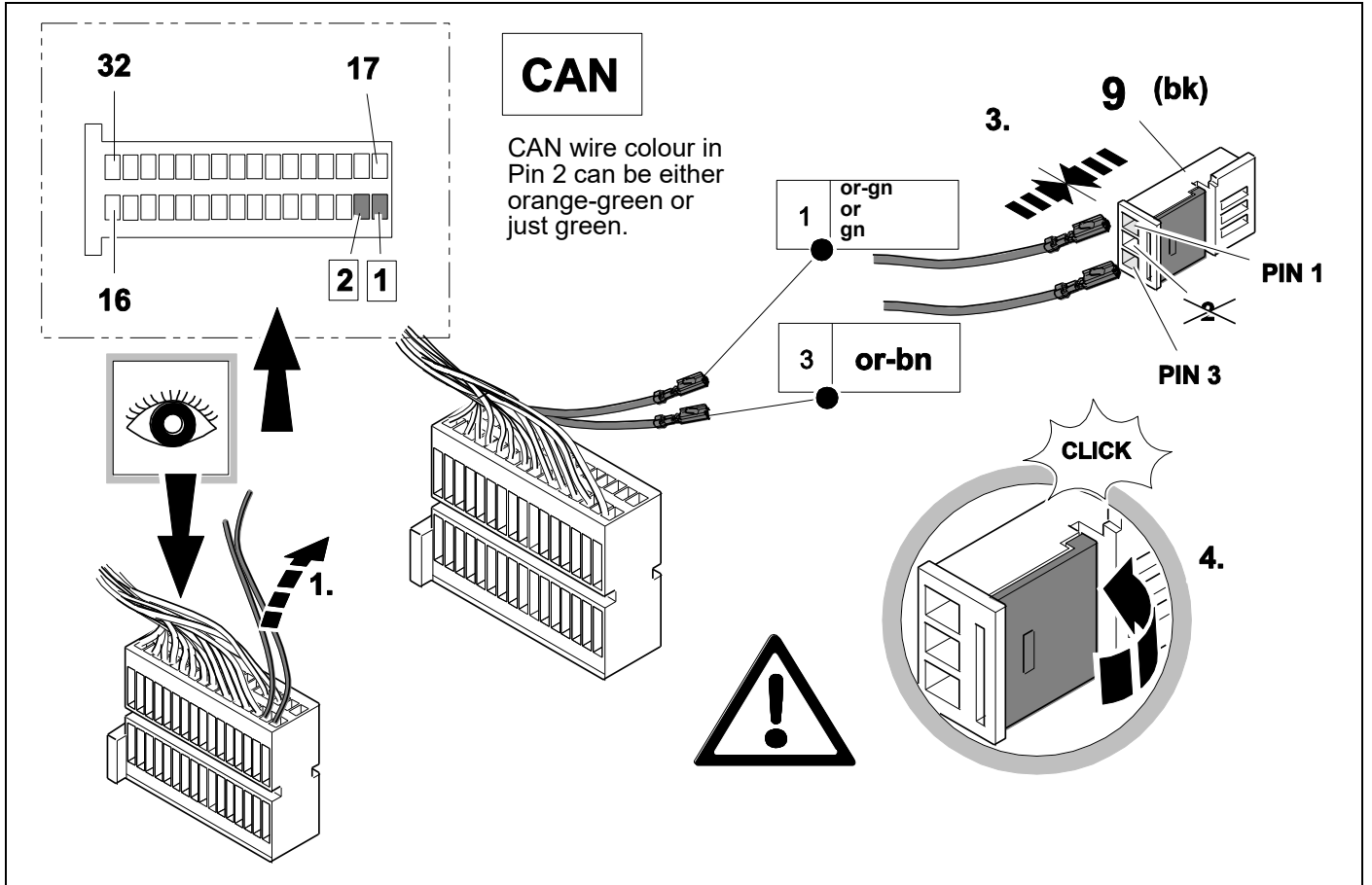
8



12



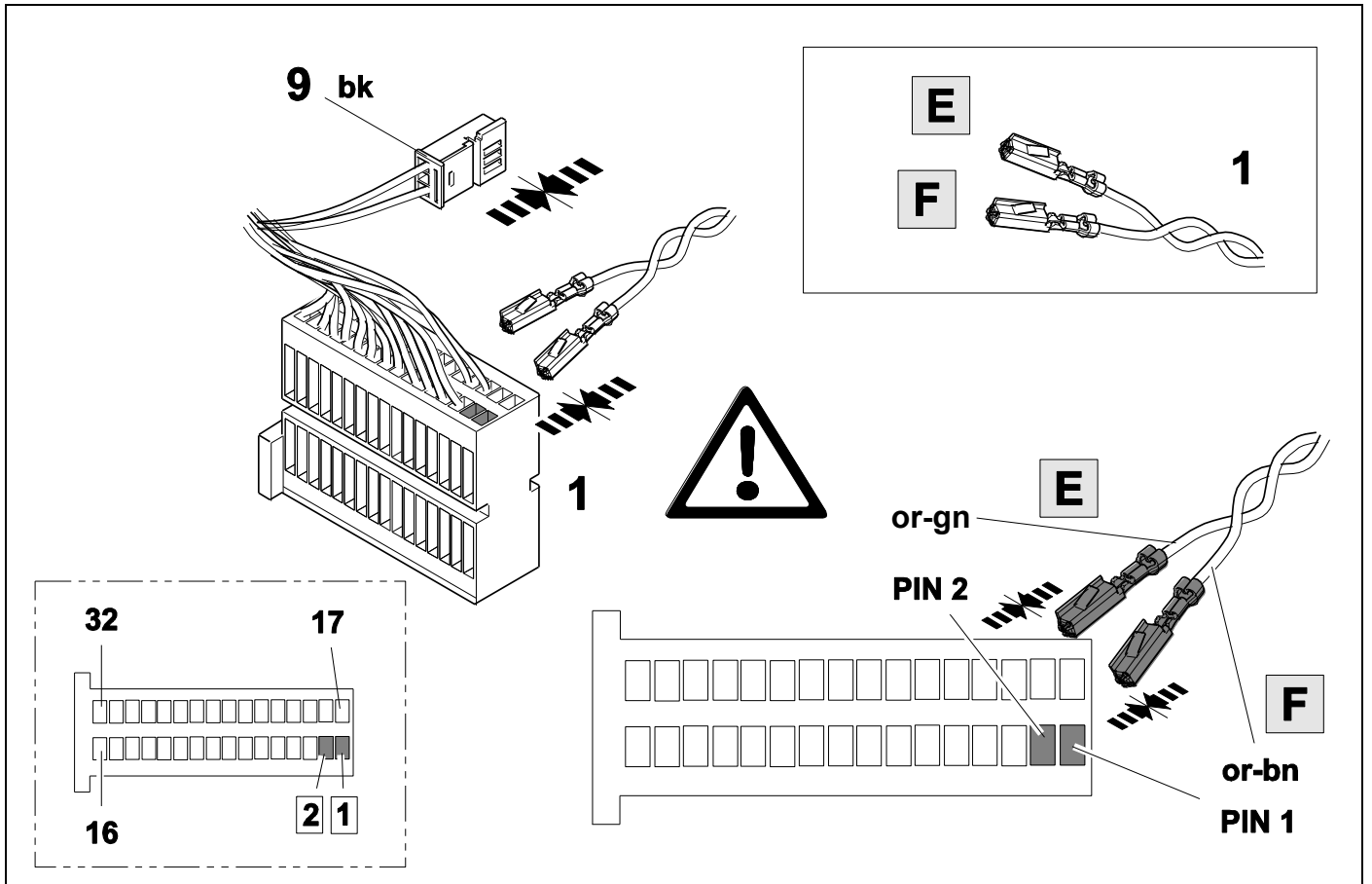
8



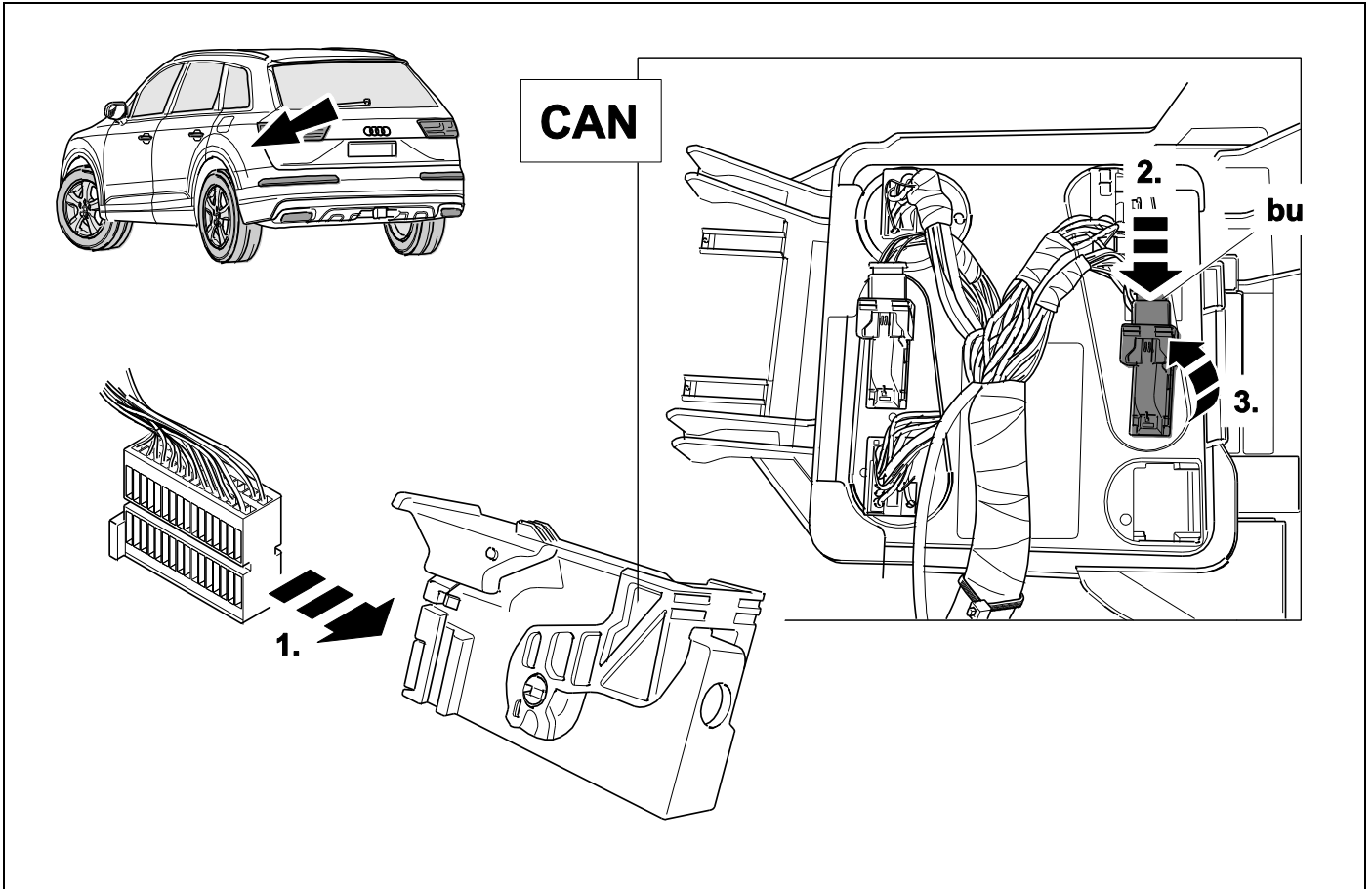
13



8



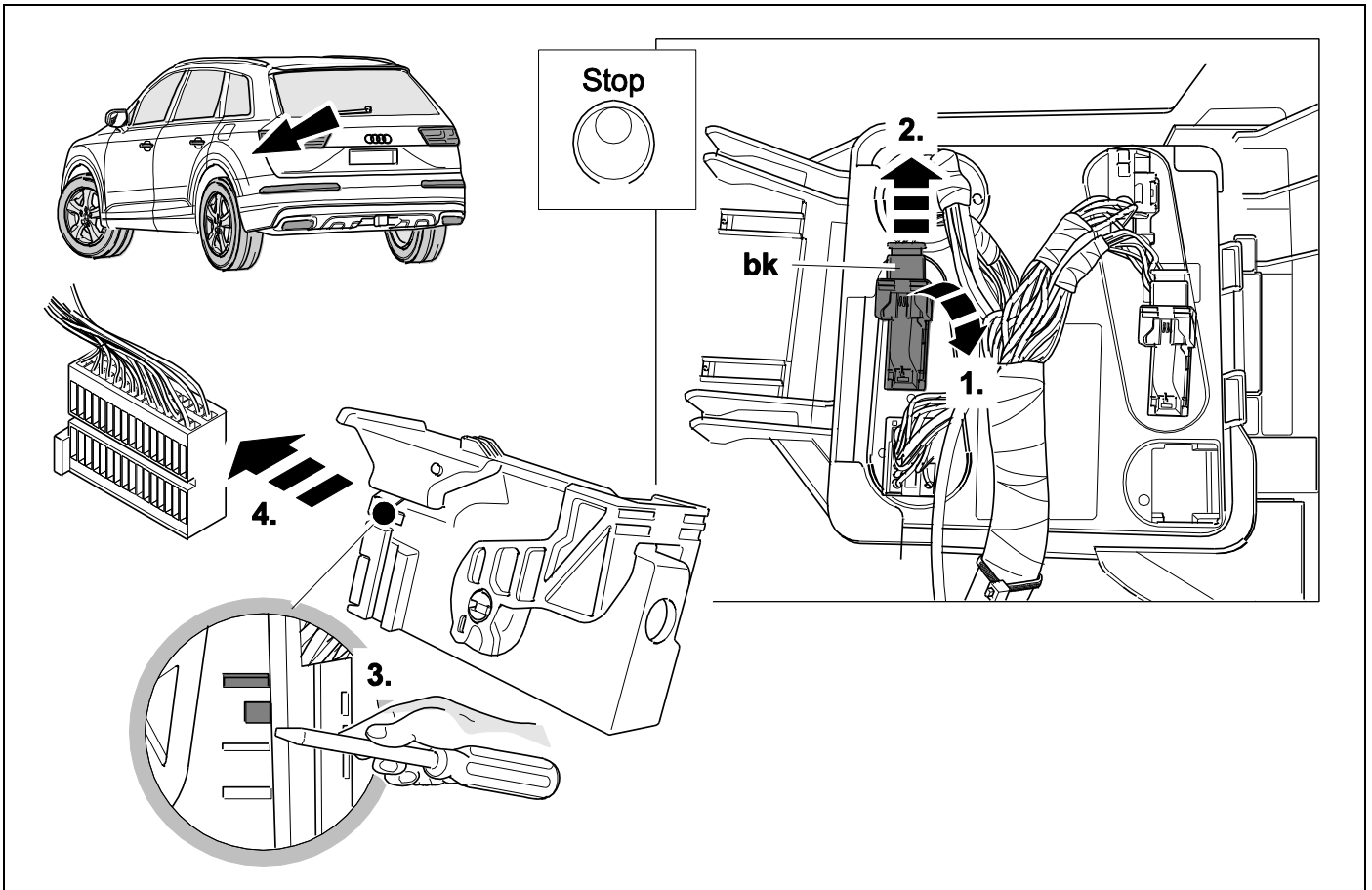
14



15



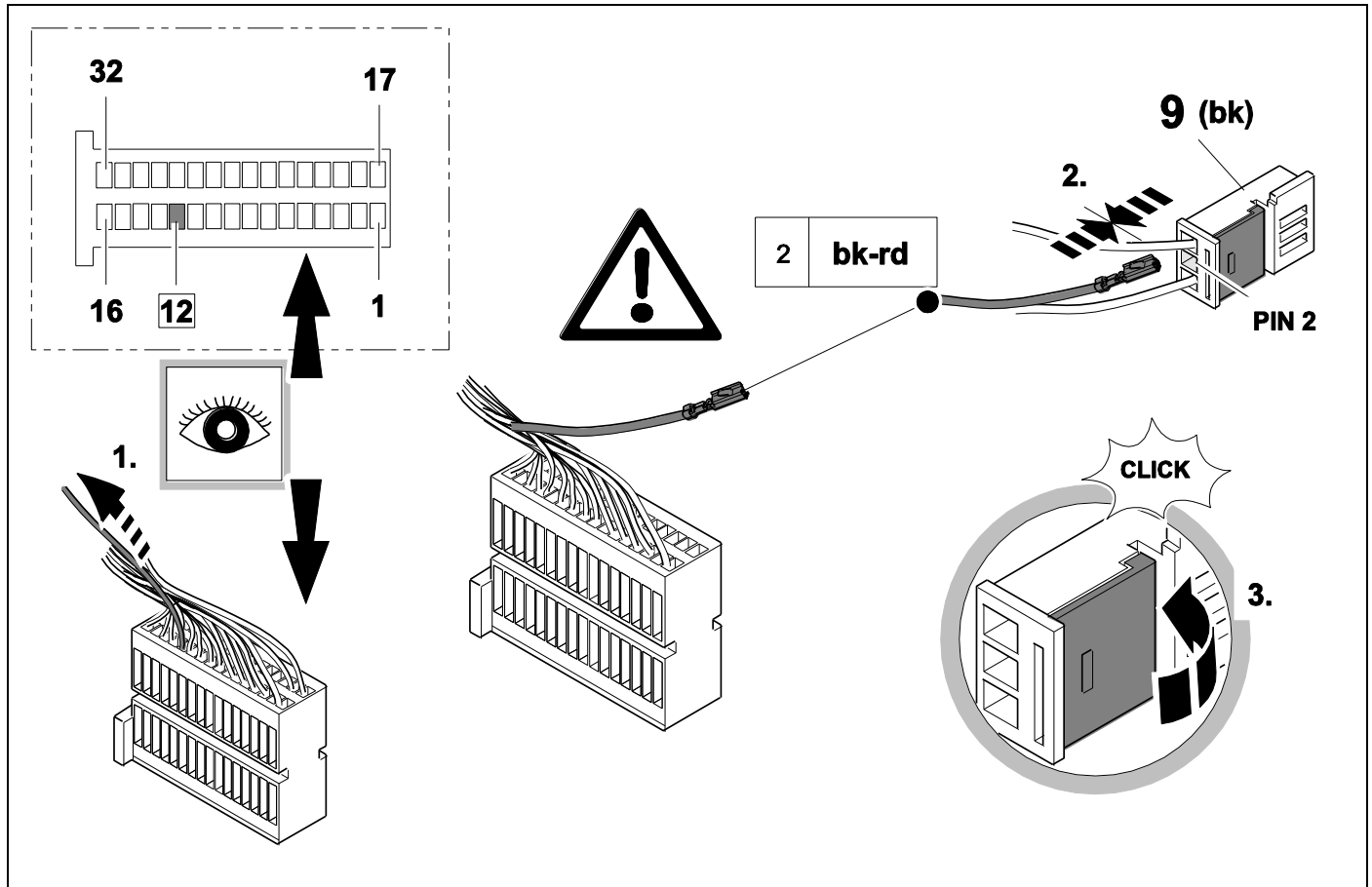
8



16



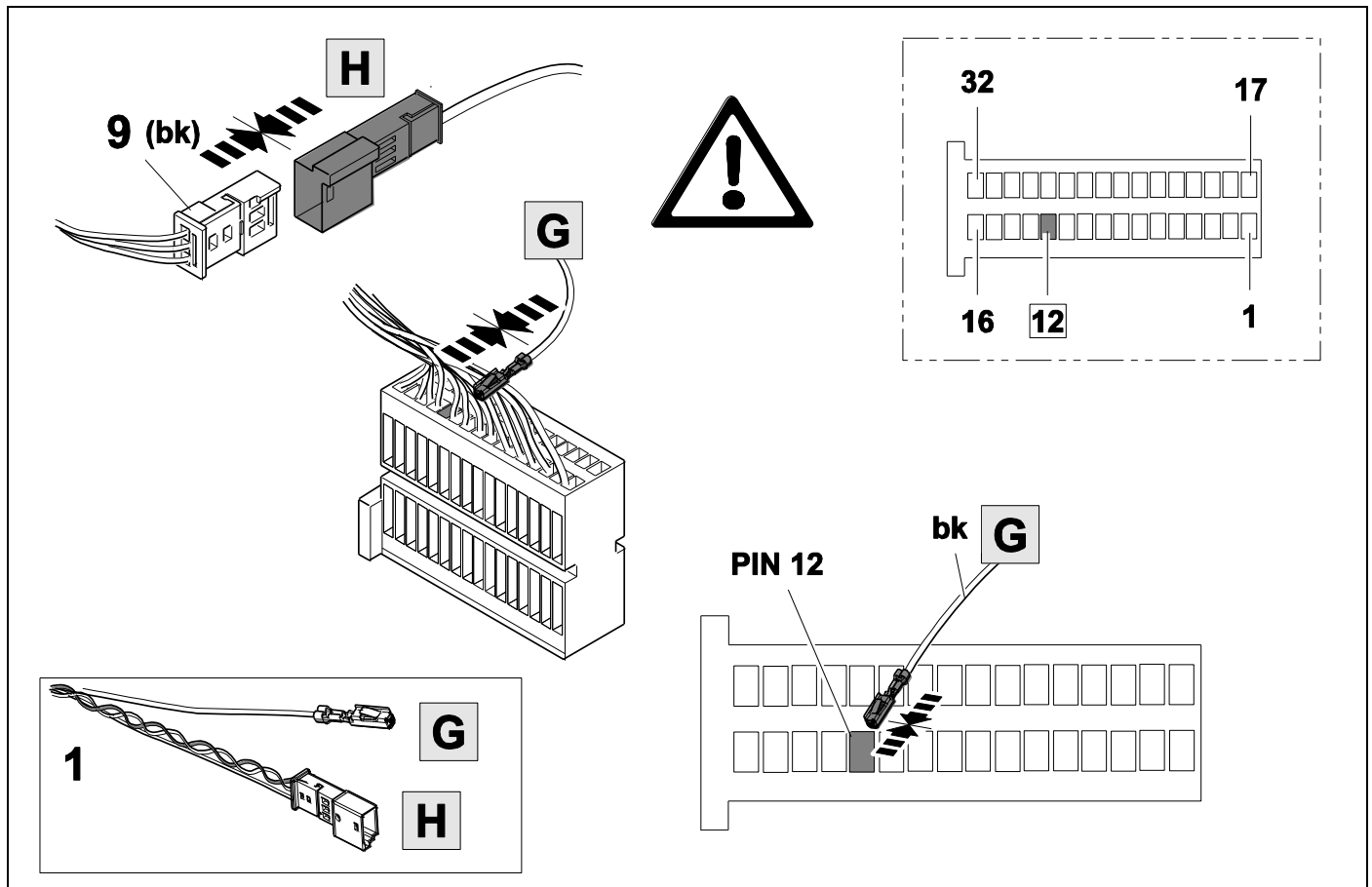
8

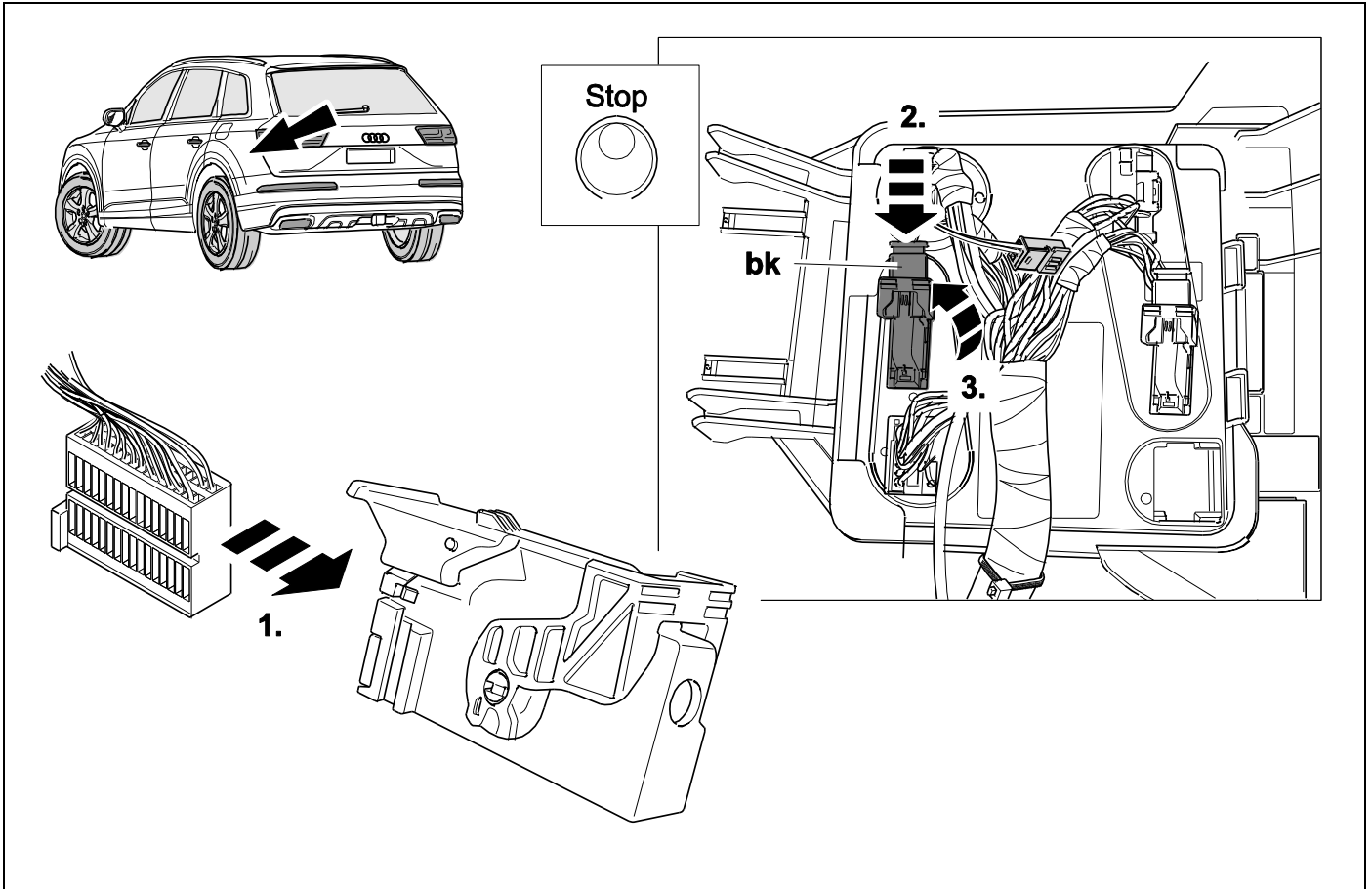


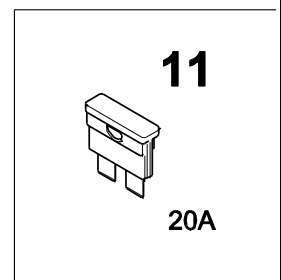
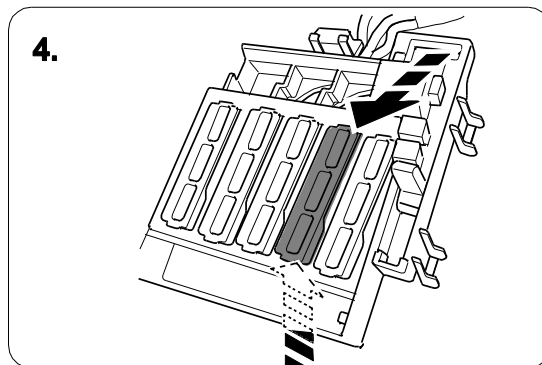
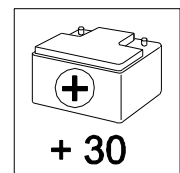
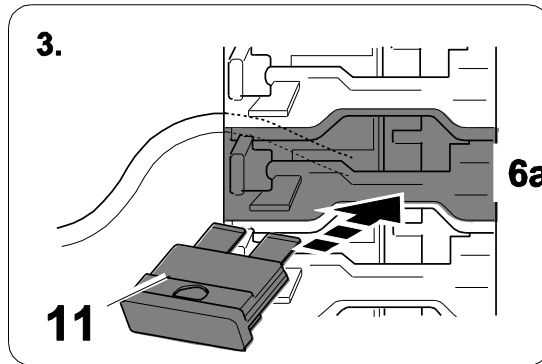
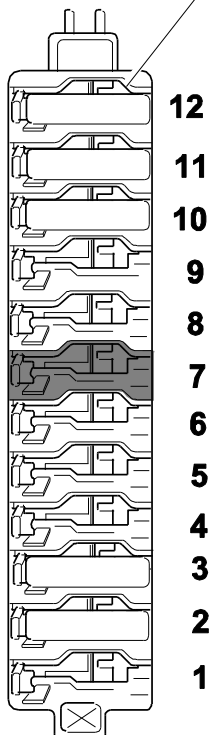
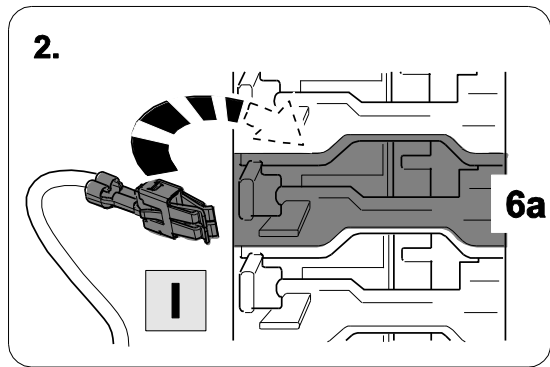
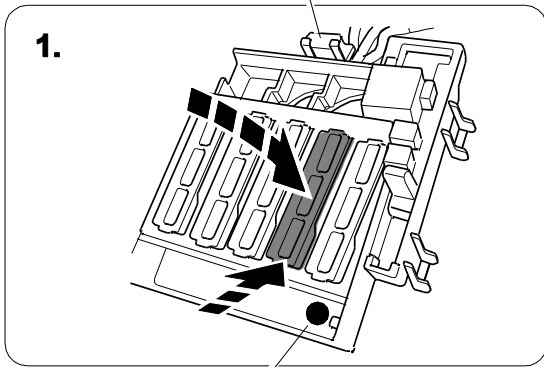
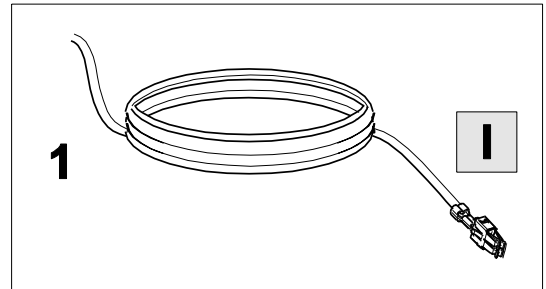
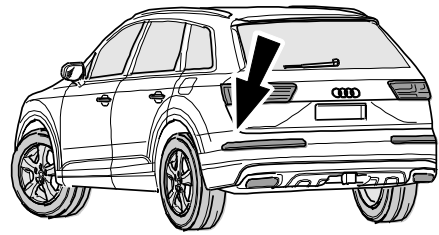
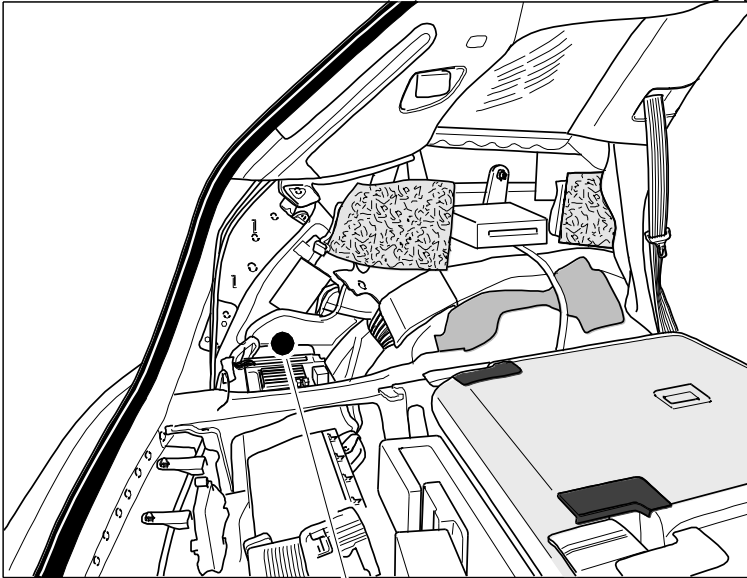
17

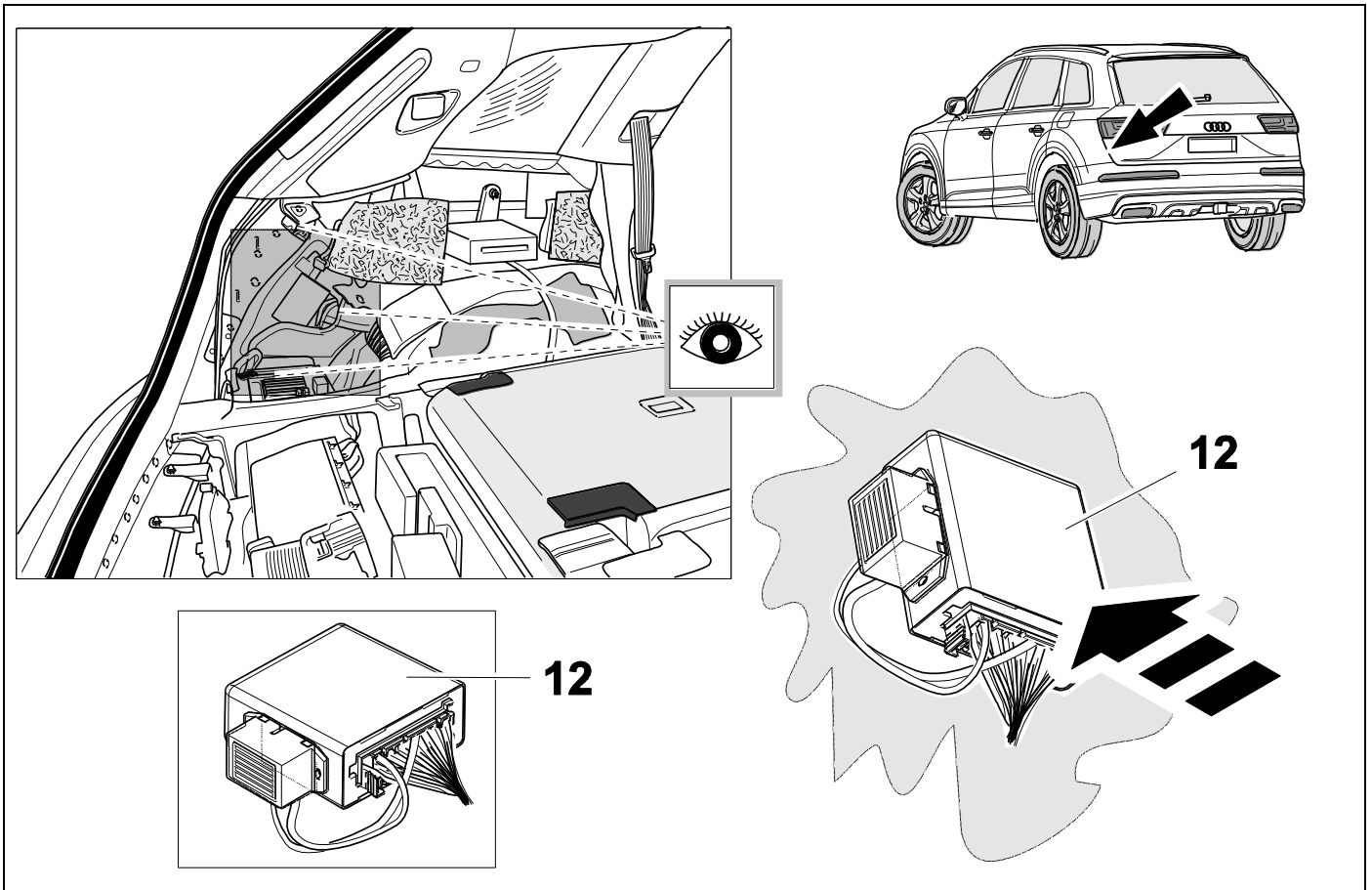
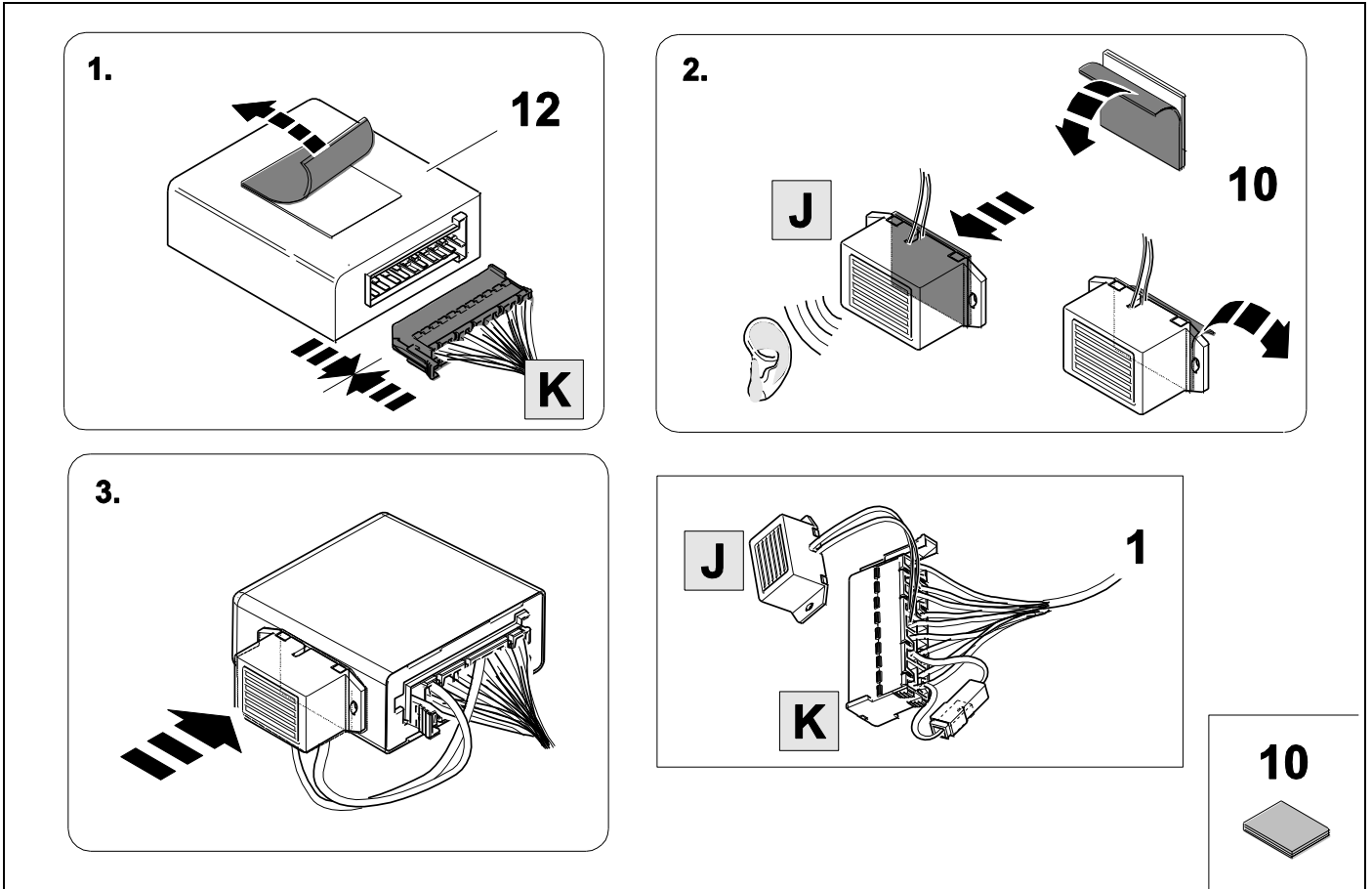


8



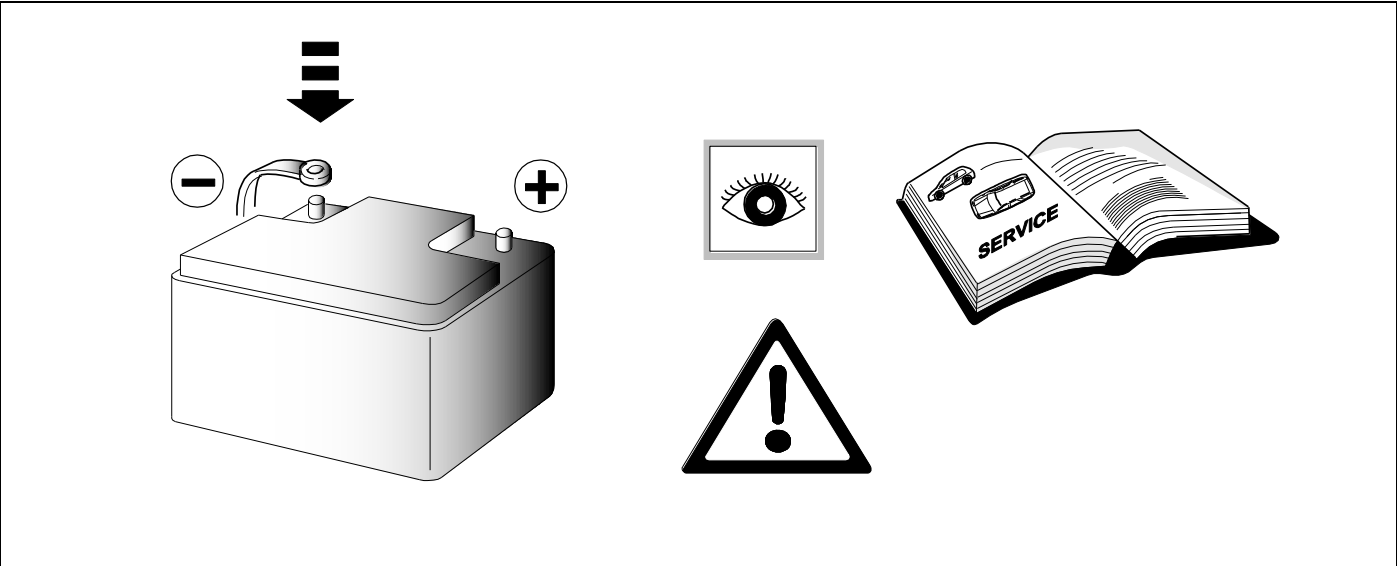
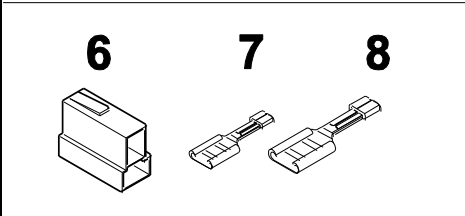
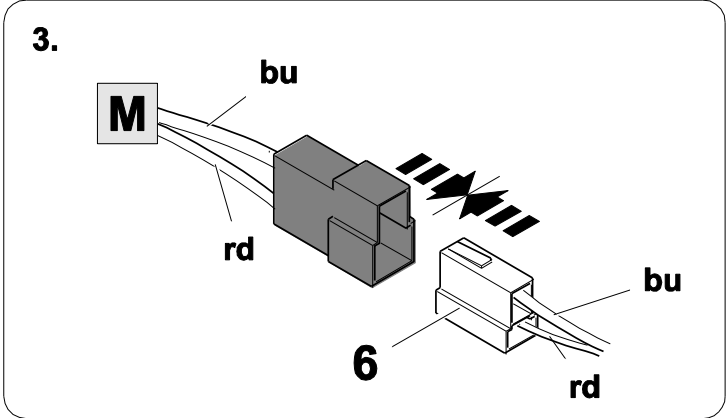
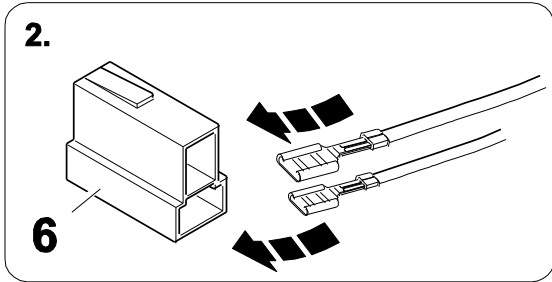
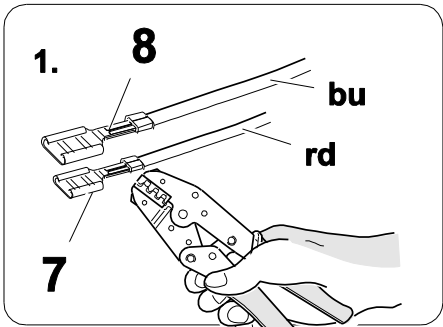
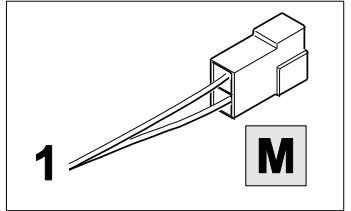






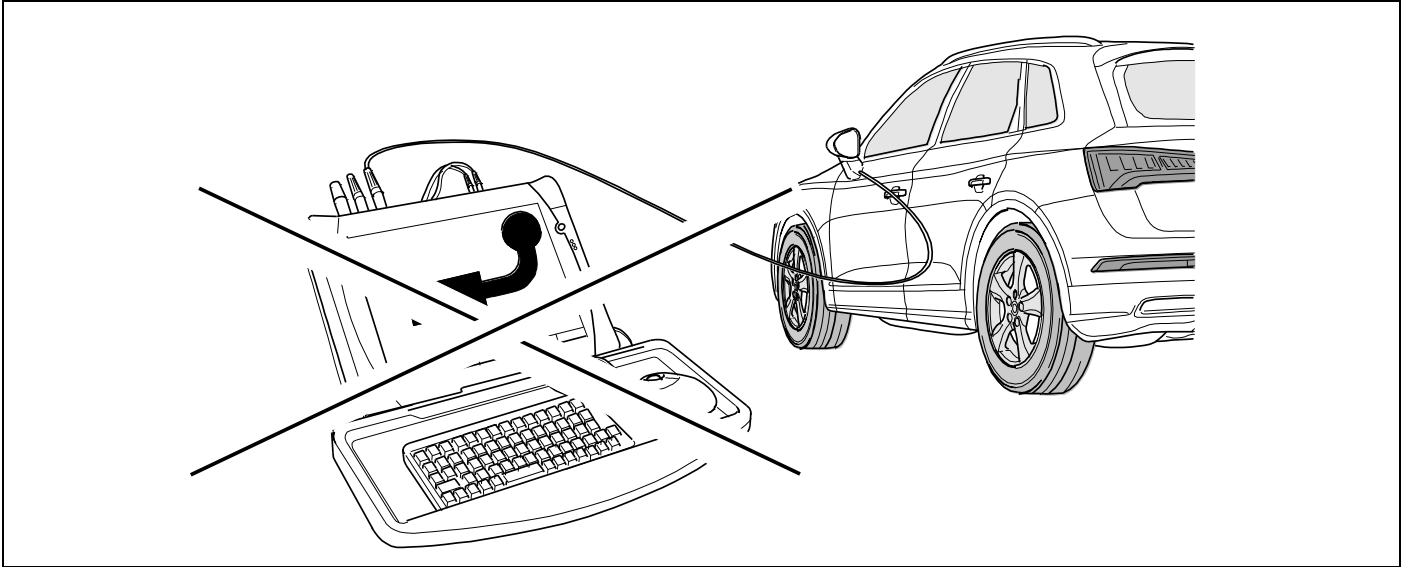


# Trailer Brake Preparation



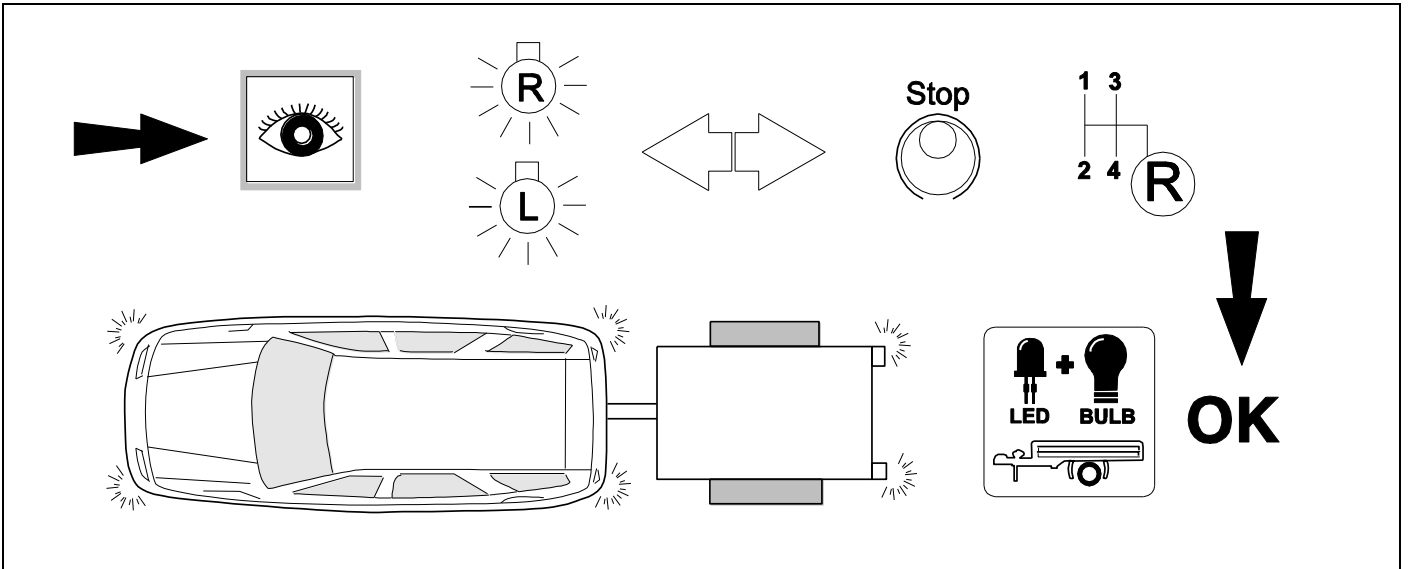


24



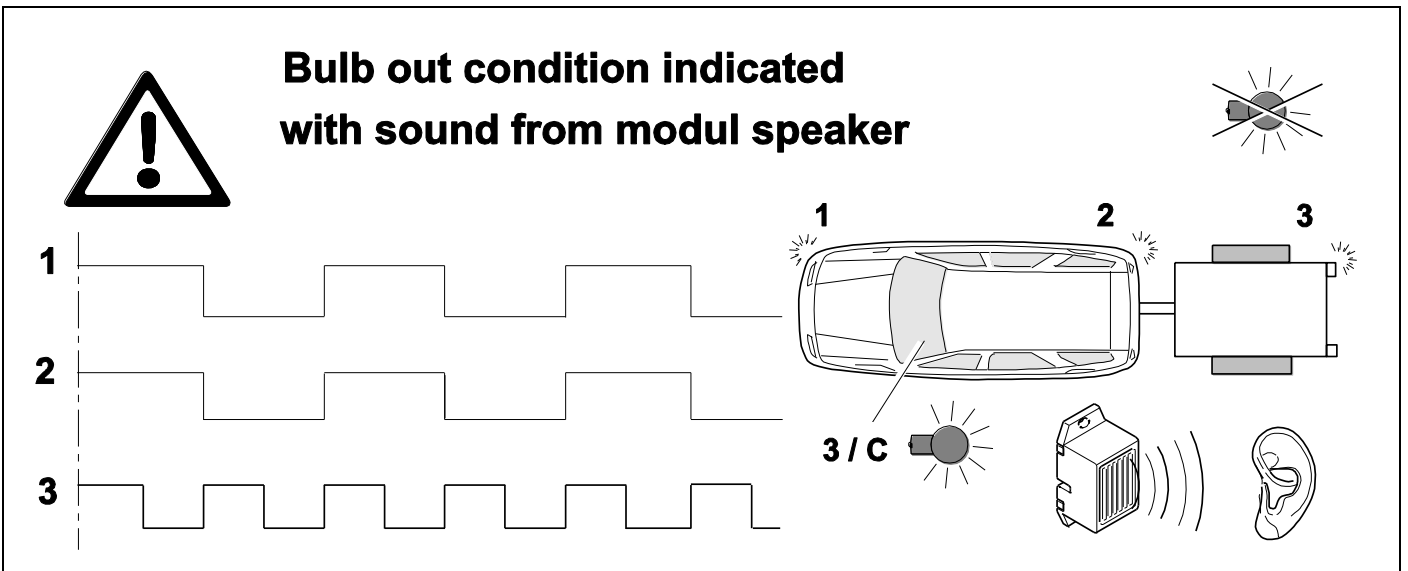
25

### CHECK ALL LIGHTING FUNCTIONS



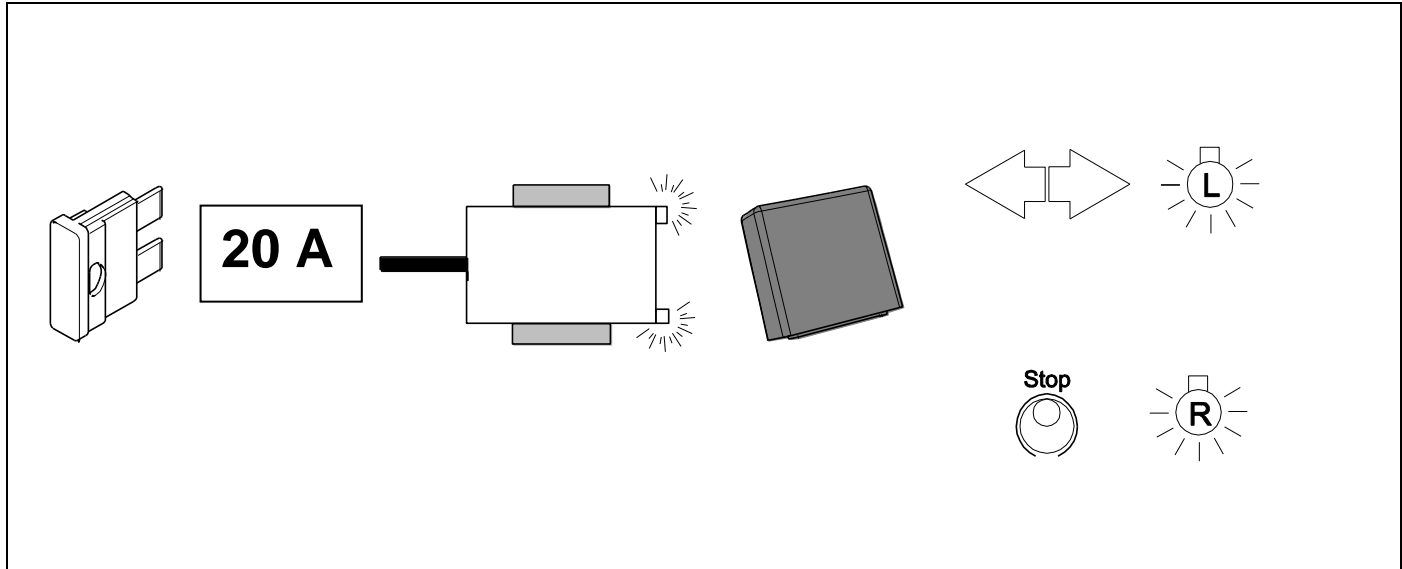
26

### CHECK



27

⇒ 19



28 CODING OPTIONAL - SKIP THESE STEPS IF CODING OF THE VEHICLE IS NOT PLANNED

**With vehicle coding !**      29 ⇒ 31

**!Attention!**

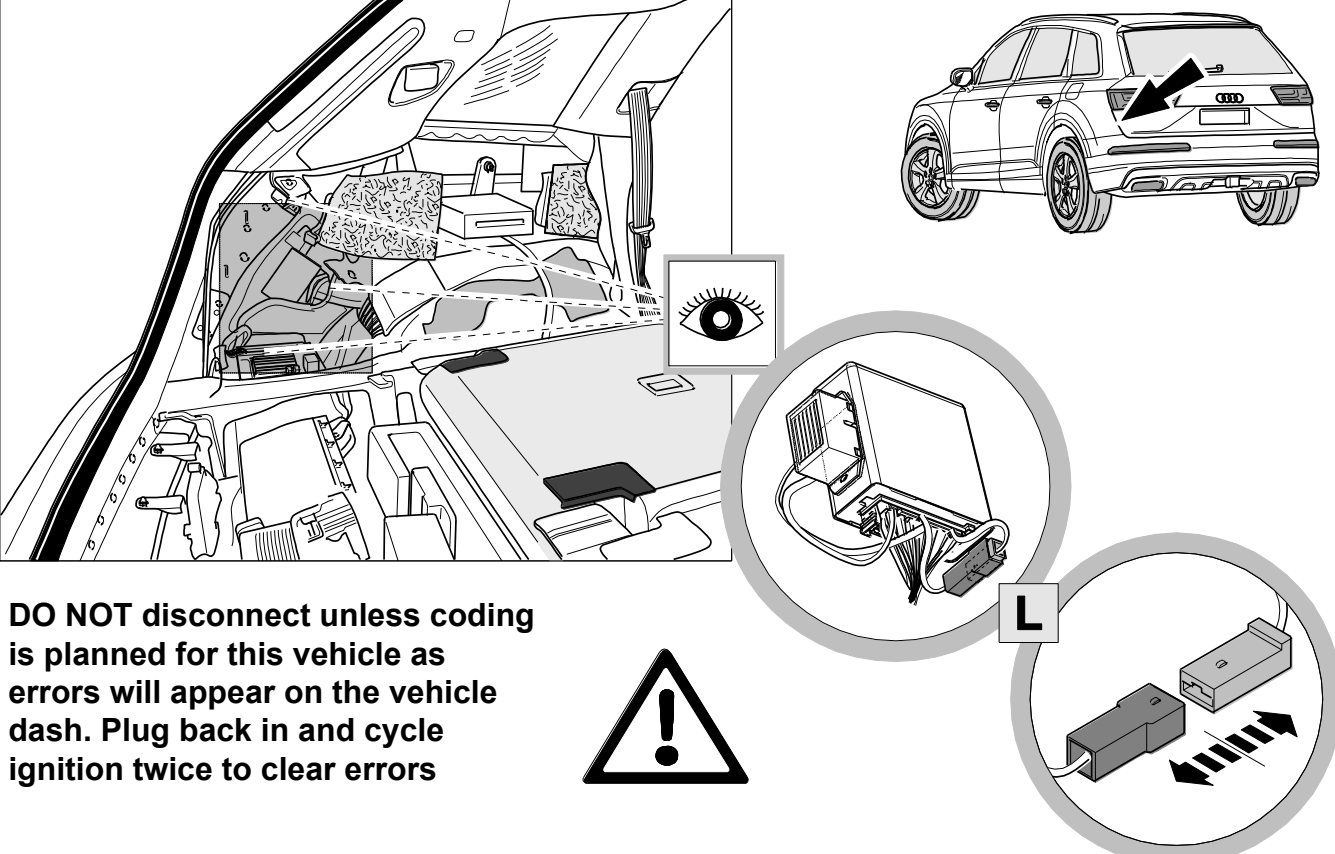
**These codings may be lost after visiting an authorized workshop !**

**TSP**  
Trailer Stability Program


**P** **Trailer Assistent**

The complex block contains several elements: a laptop icon with a black arrow pointing to the right, a large warning triangle with an exclamation mark, and two boxes. The first box is labeled 'TSP Trailer Stability Program' and features a 'P' and a triangle icon. The second box is labeled 'Trailer Assistent' and features a 'P', a steering wheel icon, and a trailer icon.

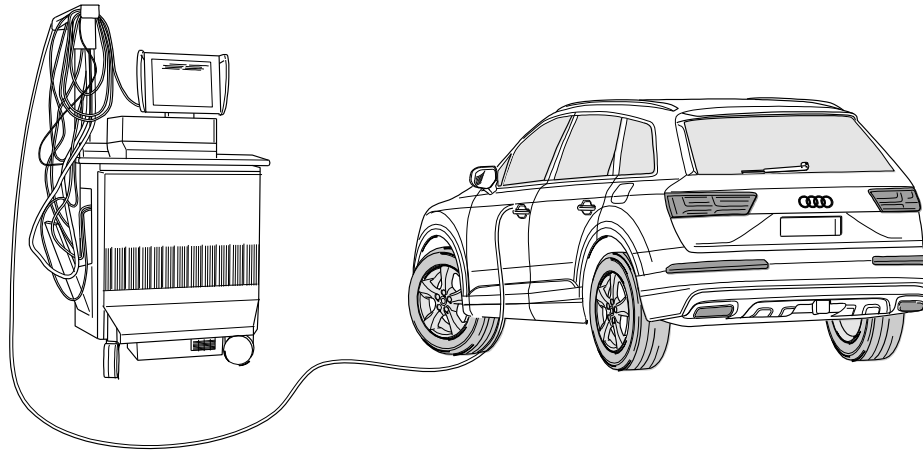
## 29 OPTION vehicle coding



**DO NOT disconnect unless coding is planned for this vehicle as errors will appear on the vehicle dash. Plug back in and cycle ignition twice to clear errors**



Unless you have your own coding tool and are experienced with coding Audi vehicles, do not attempt coding. DO NOT take it to an Audi dealer to code. They can only code their own factory kits as it requires a special one-use only unlocking code.



### Coding with VCDS, please note:

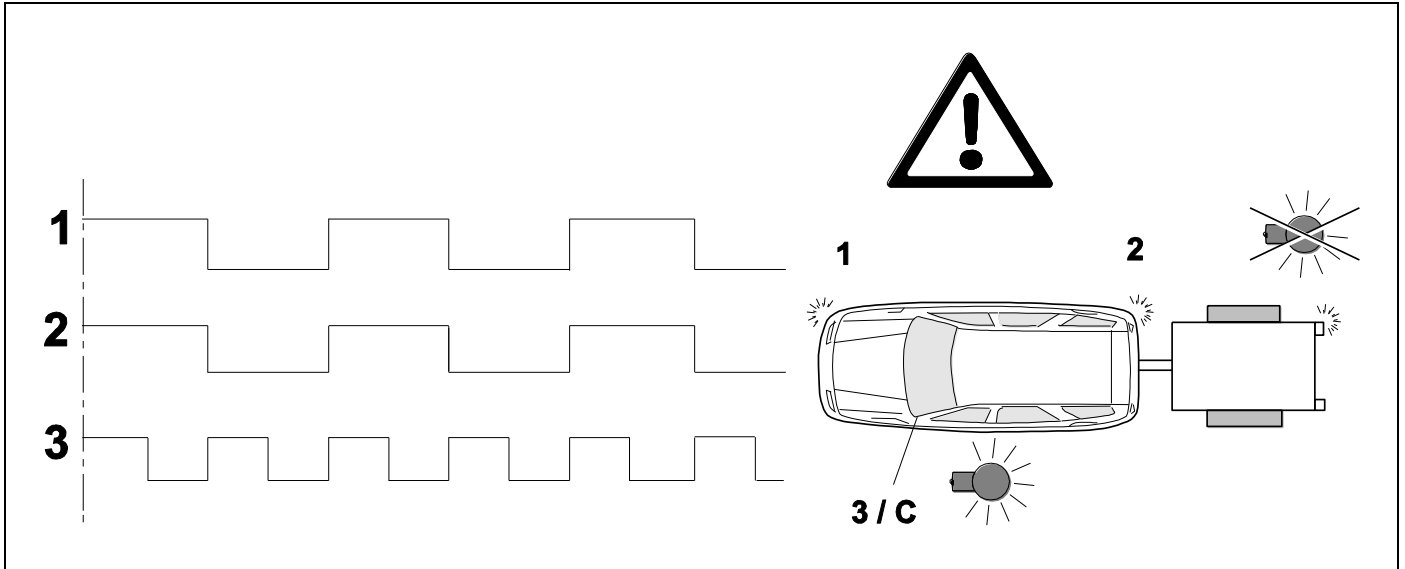
The procedure described below for encoding and enabling the trailer mode only serves for a general orientation and can vary greatly depending on the model (motorisation / equipment). If necessary less or further control units will have to be adapted.

- **After connecting to VCDS, the "69 trailer function" controller has to be set to encoded in the \_19 installation list.**
- **Coding EZE\_09 (electronic central electric controller; Login 31347)**  
Diagnosis / Networking plan / Controller self-diagnosis encode hitch\_ecu > installed Vehicles from (MJ 2017>>) adjustment > channel -integration trailer control unit > installed
- **Coding ZKS\_46 (Central module convenience system)**  
trailer monitoring > put on active trailer control unit > installed
- **Coding\_03 (Brake Electronics; Login 61378)**  
Adjustment > channel - trailer stabilization, change value to > active
- **Encoding SWA\_3C (Lane Change Assist)**  
ECU for draw bar > with ECU for draw bar
- **Encoding SCH\_17 (Dash panel insert)**  
Trailer > yes
- **Encoding RFK\_6C (reverse camera system)**  
equipment\_ahk > installed
- **Encoding STF\_74 (chassis control system)**  
Trailer > installed
- **Encoding EPH\_76 (PDC controller)**  
Trailer > trailer device can be removed manually
- **Encoding DiS\_13 (controler distance control, possible Login 20103)**  
Control module for towing sens > installed or Control module for trailer recognition > installed (Byte 03 Bit 03)
- **Encoding FFF\_A5 (front sensor system controller)**  
AAG > coded
- **Encoding HDE\_6D (boot lid electronics controller)**  
Trailer > installed

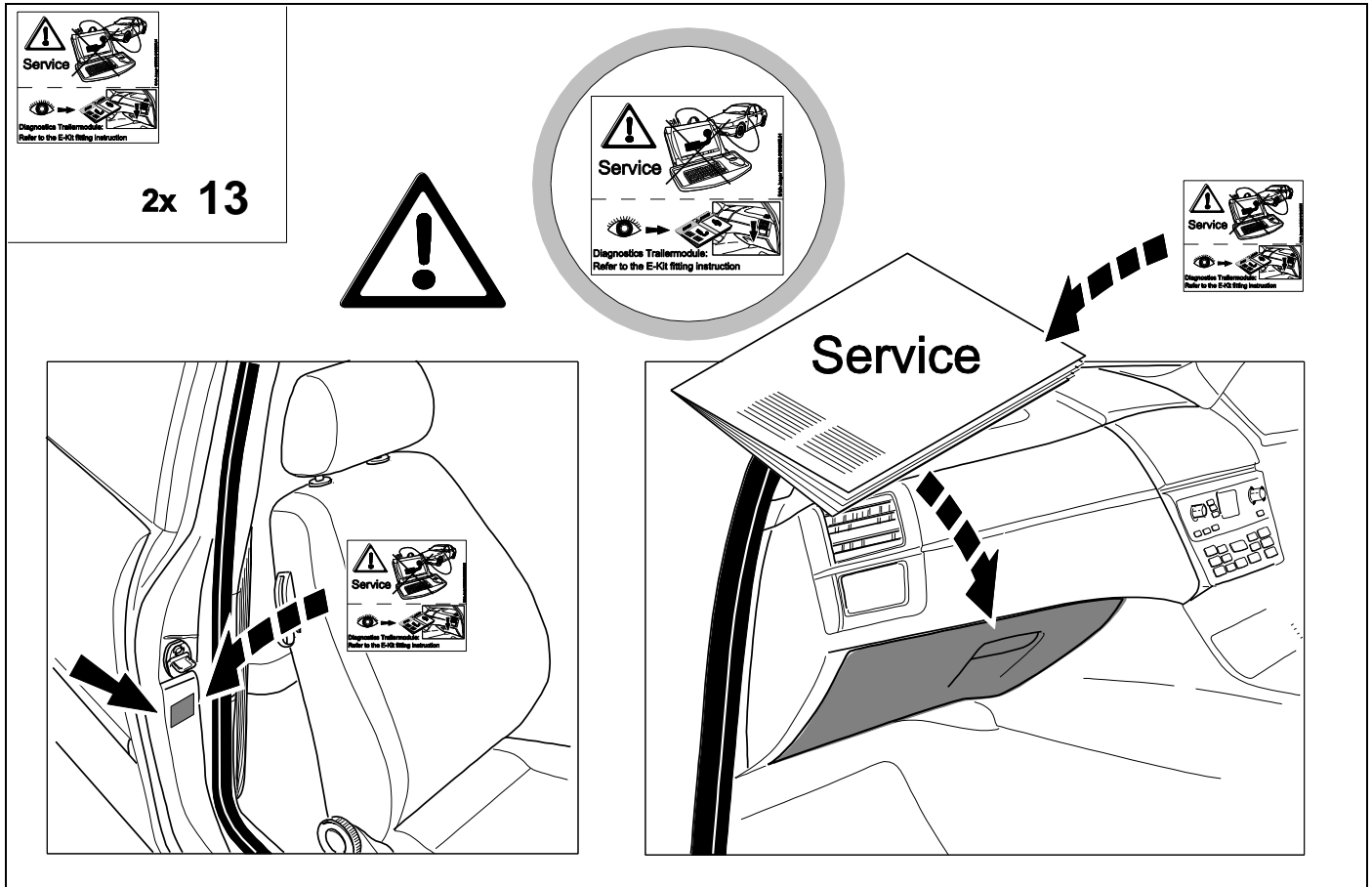
### Important note on encoding and activating in trailer mode

The aforementioned settings are carried out in the vehicle's electrical system and saved locally. During general updates for the vehicle software (for example, within the scope of service or repair work) the settings may be overwritten and deleted under certain circumstances. At this case, the trailer mode activation has to be updated again locally after the update. Diagnostic information relating to the trailer mode that may appear during variance comparisons with the data saved in the manufacturer's works, may form the basis of the local activation

31

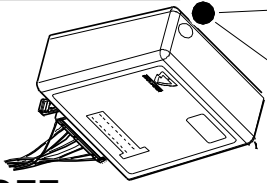
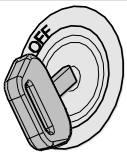


32



# Status LED for self-diagnosis

## Operation Support



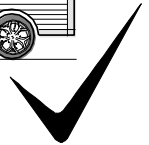
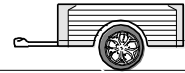
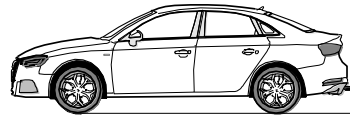
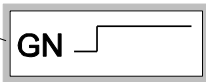
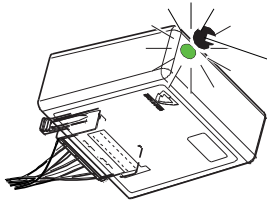
No CAN-Data =



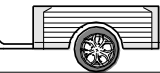
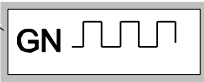
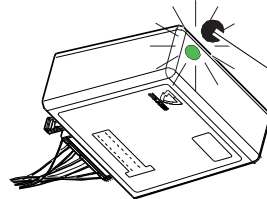
Standby / Sleepmode



Ignition OFF



Ignition ON



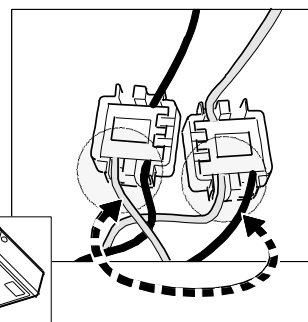
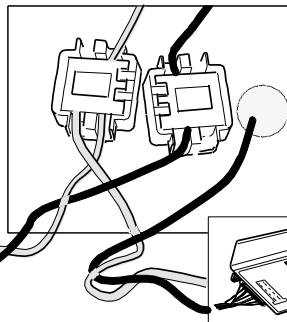
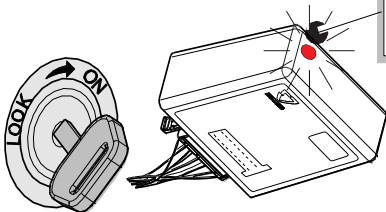
Ignition ON

## Failure Support

CAN-Data Wire

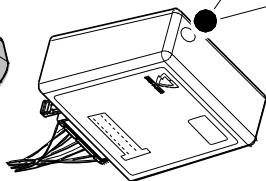
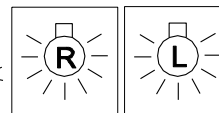


1x max. 5 min.

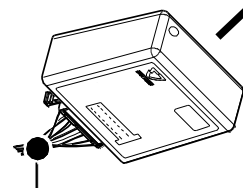
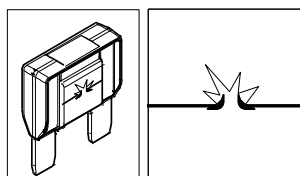
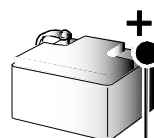
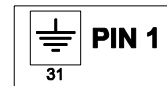


Ignition ON

Failure indicated by the module LED glowing red for a maximum of 5 minutes. If trailer connected the tail lights will also glow indicating failure of CAN signal.

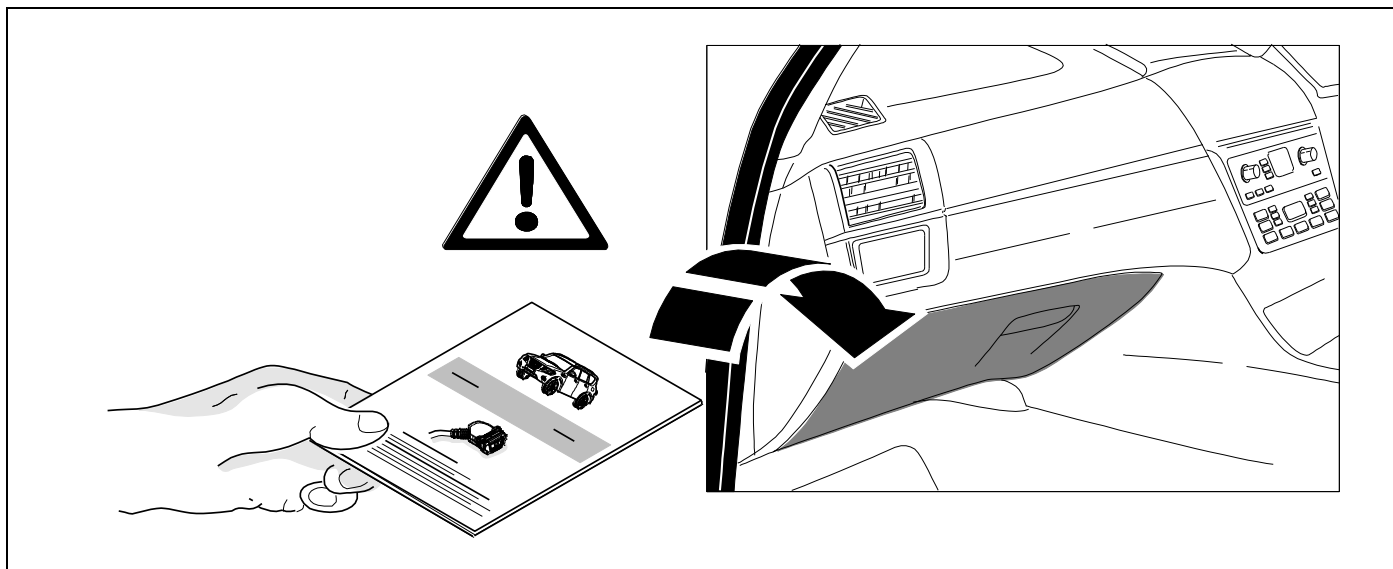


or



Ignition ON





Subject to change in terms of construction, equipment and colour, and may contain errors.

The information and illustrations are non-binding.

Scan this for our full E-Kit catalogue

