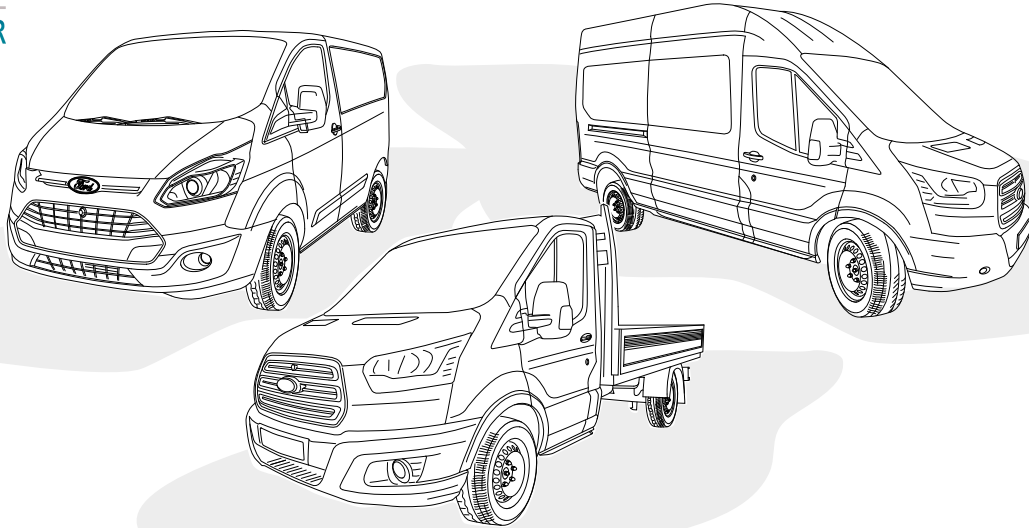




ERICH JAEGER

Installation instructions

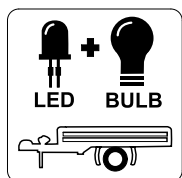
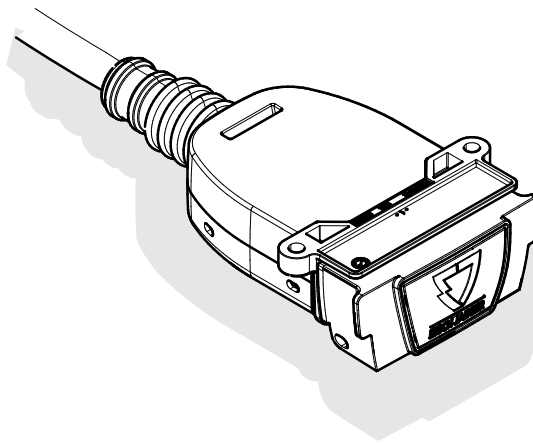


750074EJ

FORD Tourneo	06/16>>
FORD Transit Custom	06/16 >>
FORD Transit Van	06/16 >>
FORD Transit Chassis Cab	06/16 >>



SCAN FOR LATEST INSTRUCTIONS



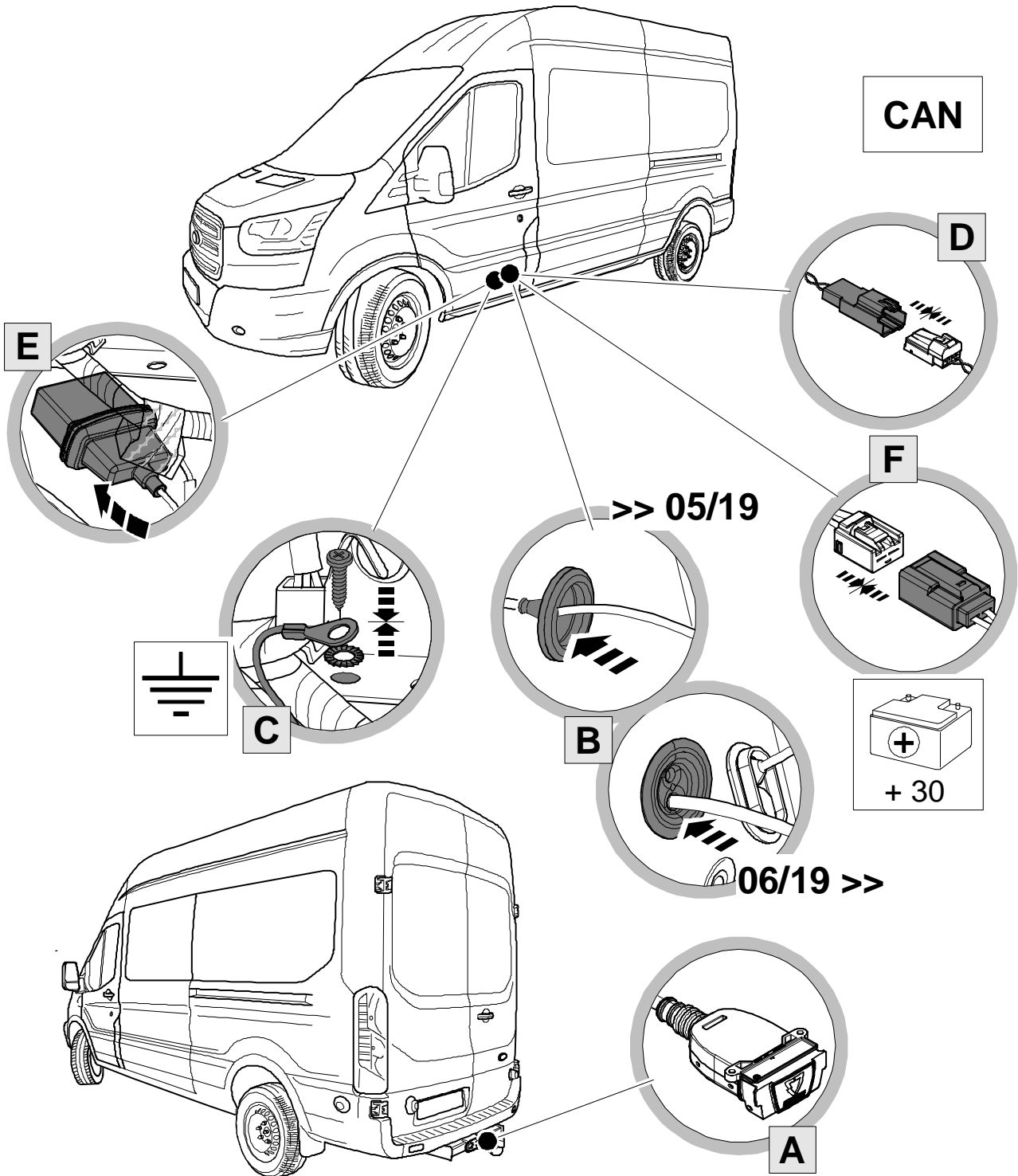
Reference:

The following information must be reviewed before beginning the assembly:

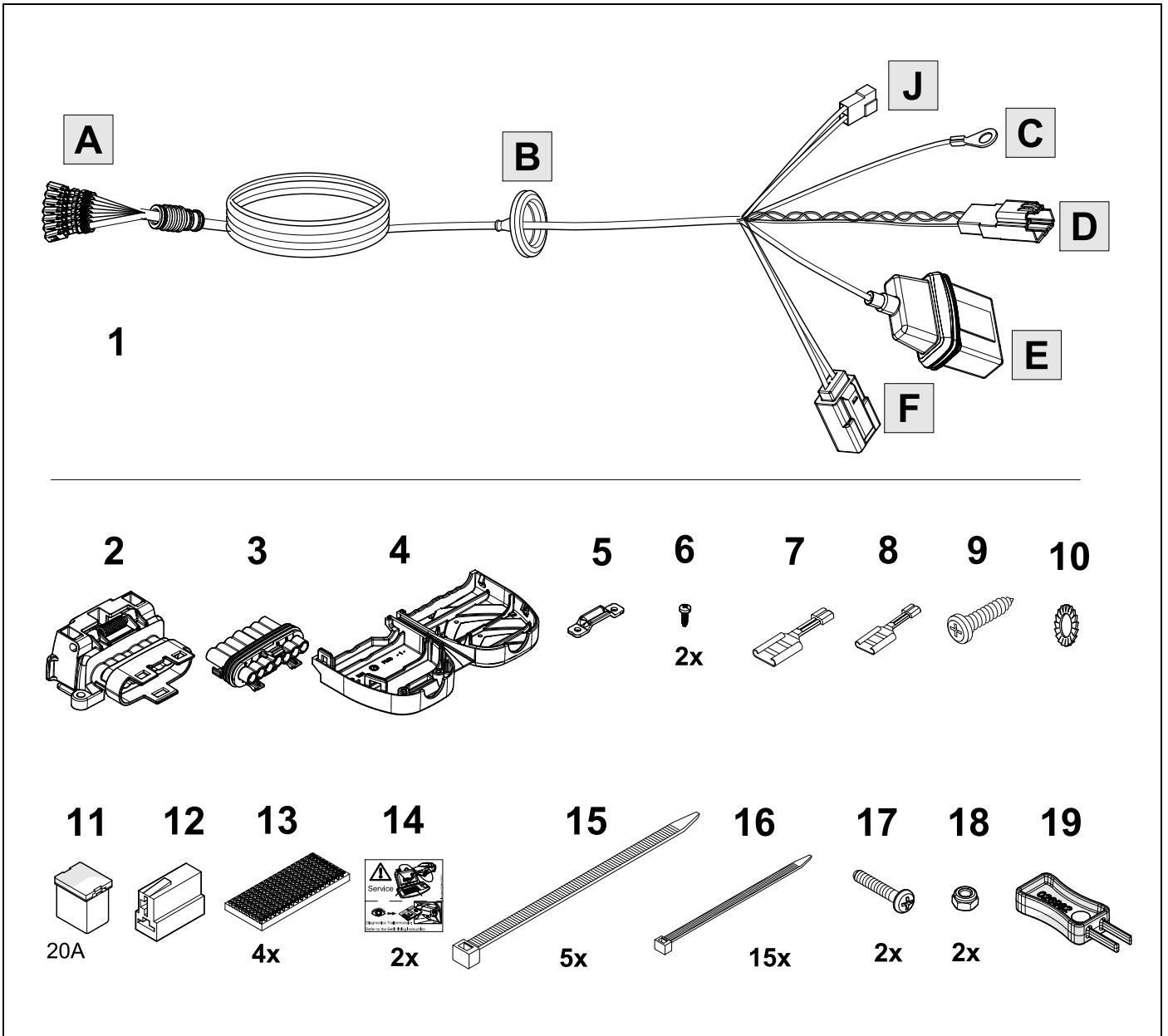
The installation instructions are to be thoroughly read.

The installation should be carried out by qualified personnel with the relevant technical knowledge. The vehicle manufacturers' current technical notices and information on retrofitting must be followed. The removal and replacement instructions found in the current repair manuals must be followed.

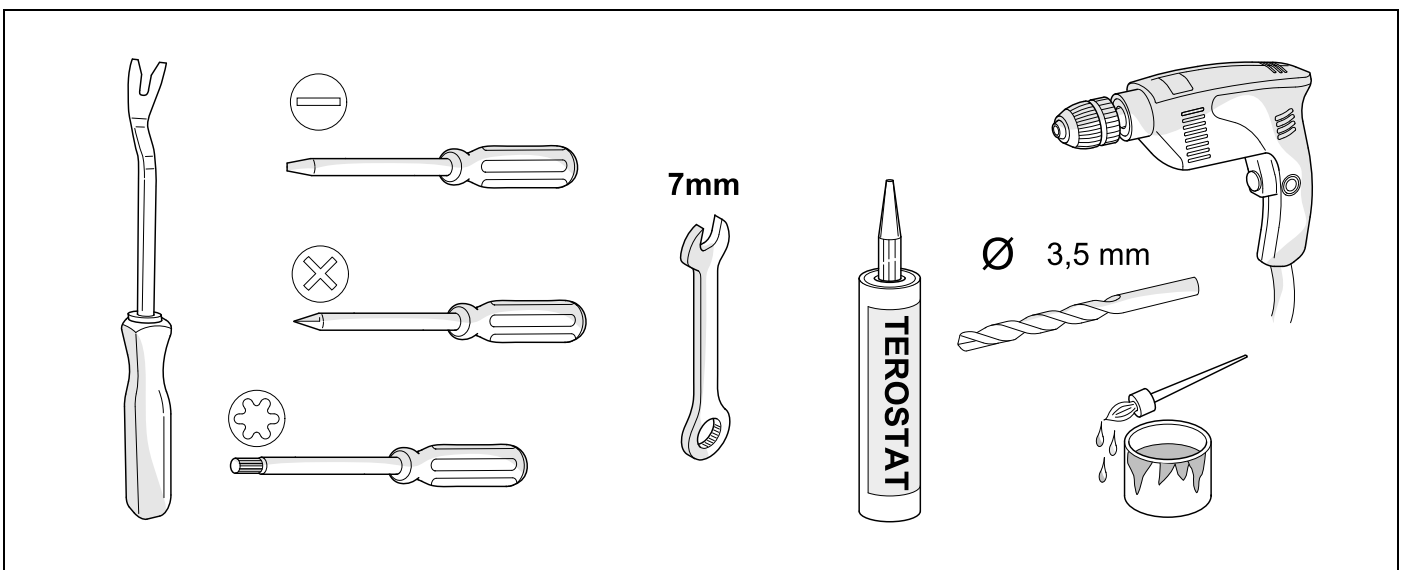
It must be ensured that the vehicle is technically suitable for the installation of a trailer hitch.



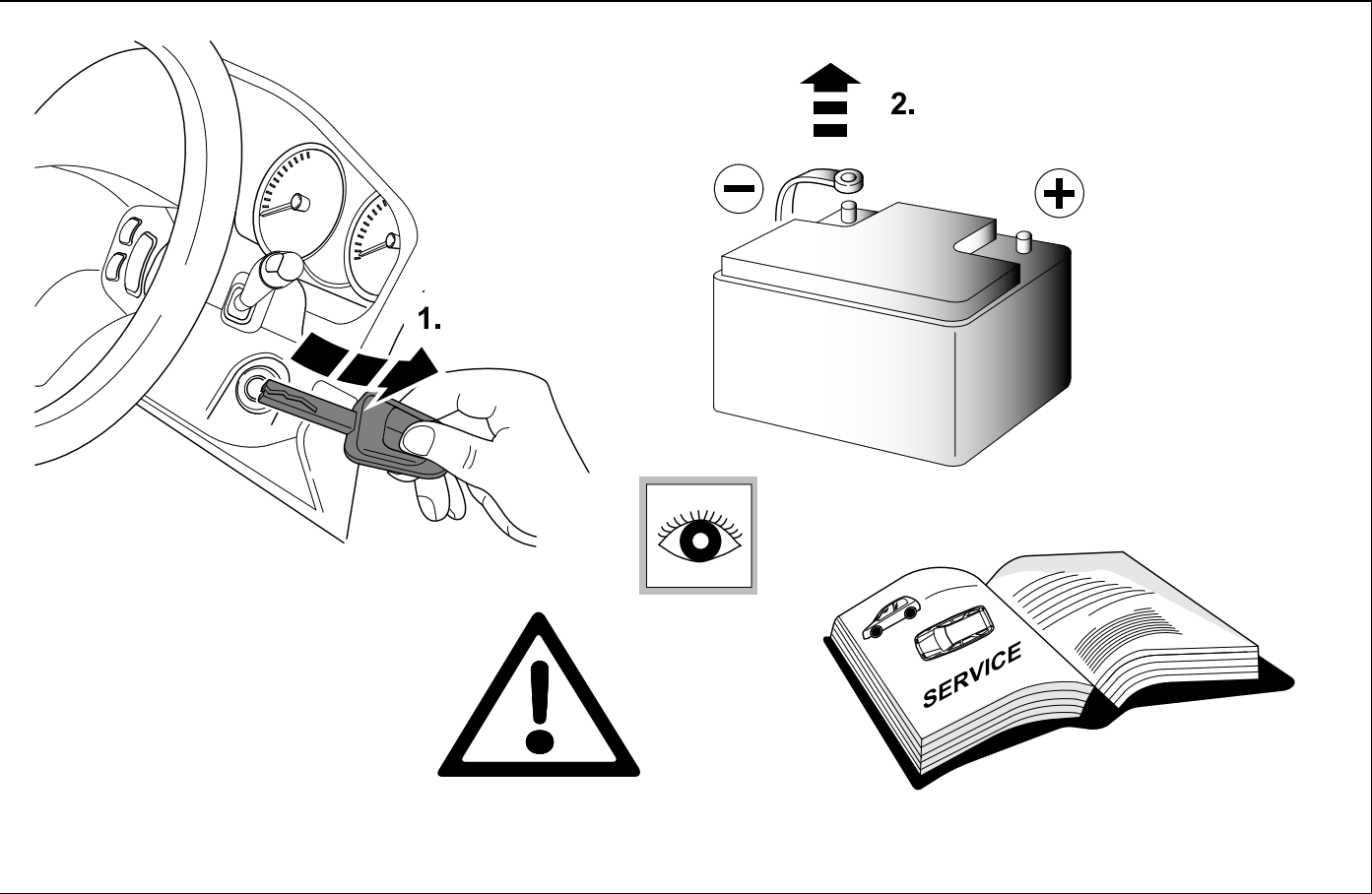
KIT

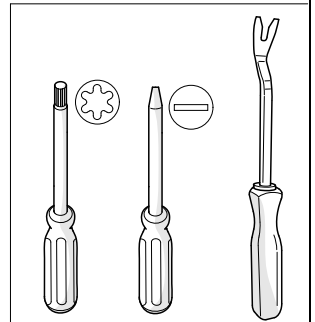
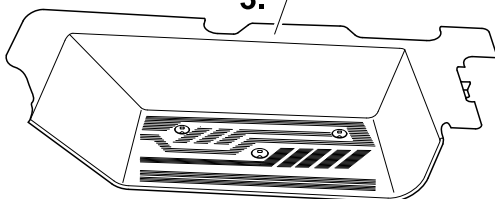
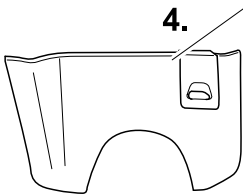
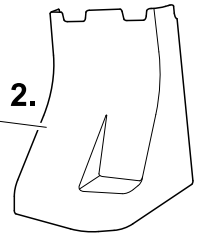
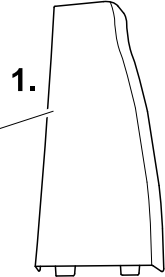
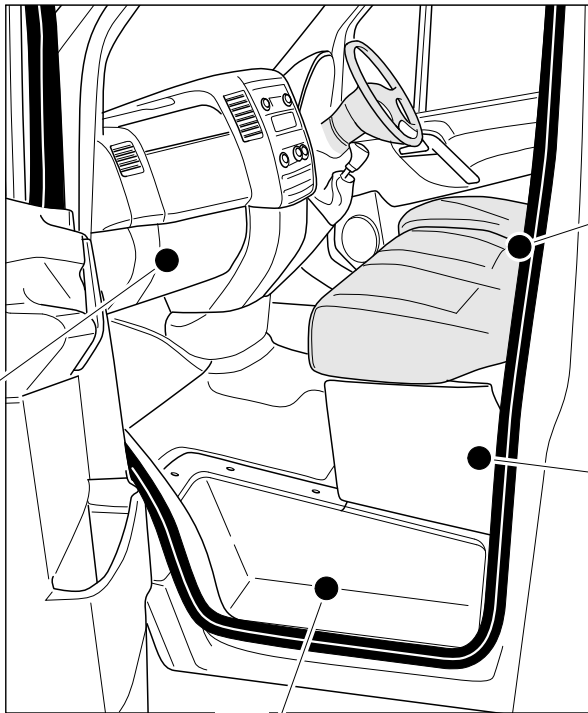
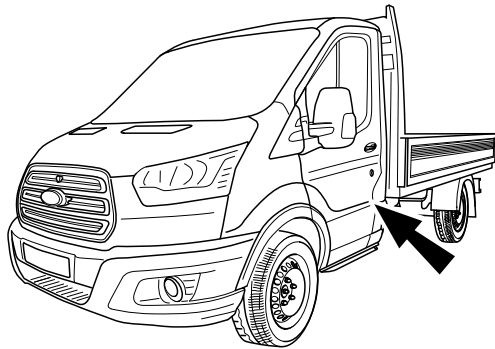
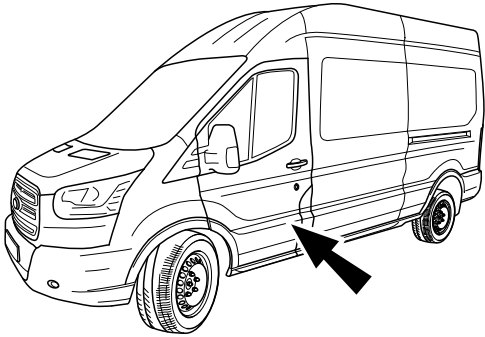
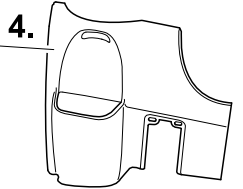
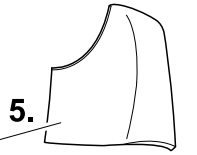
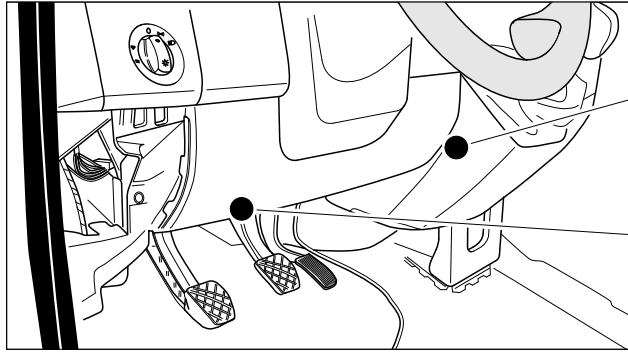
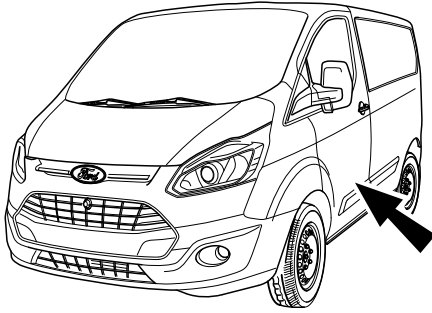


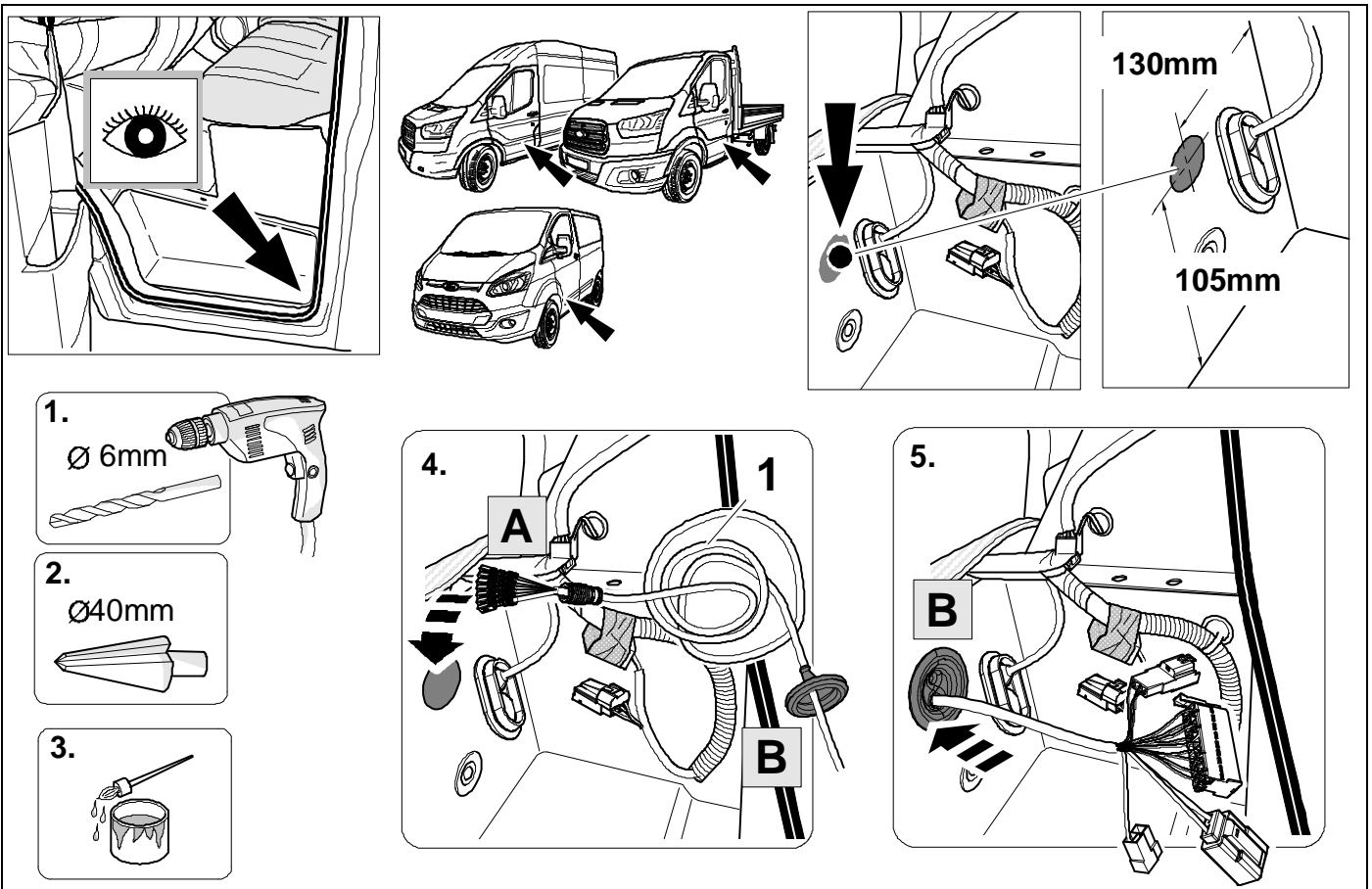
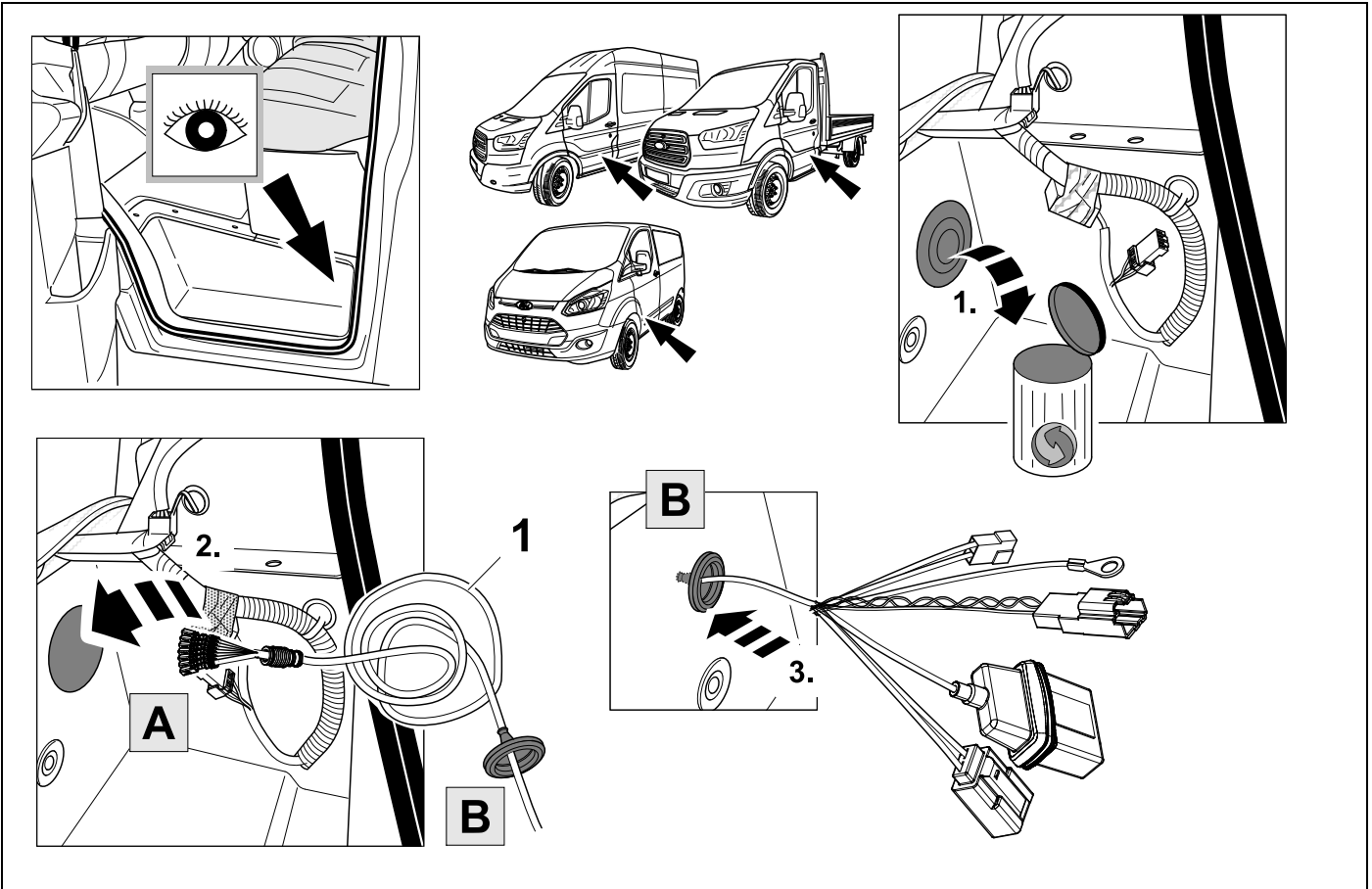
TOOLS

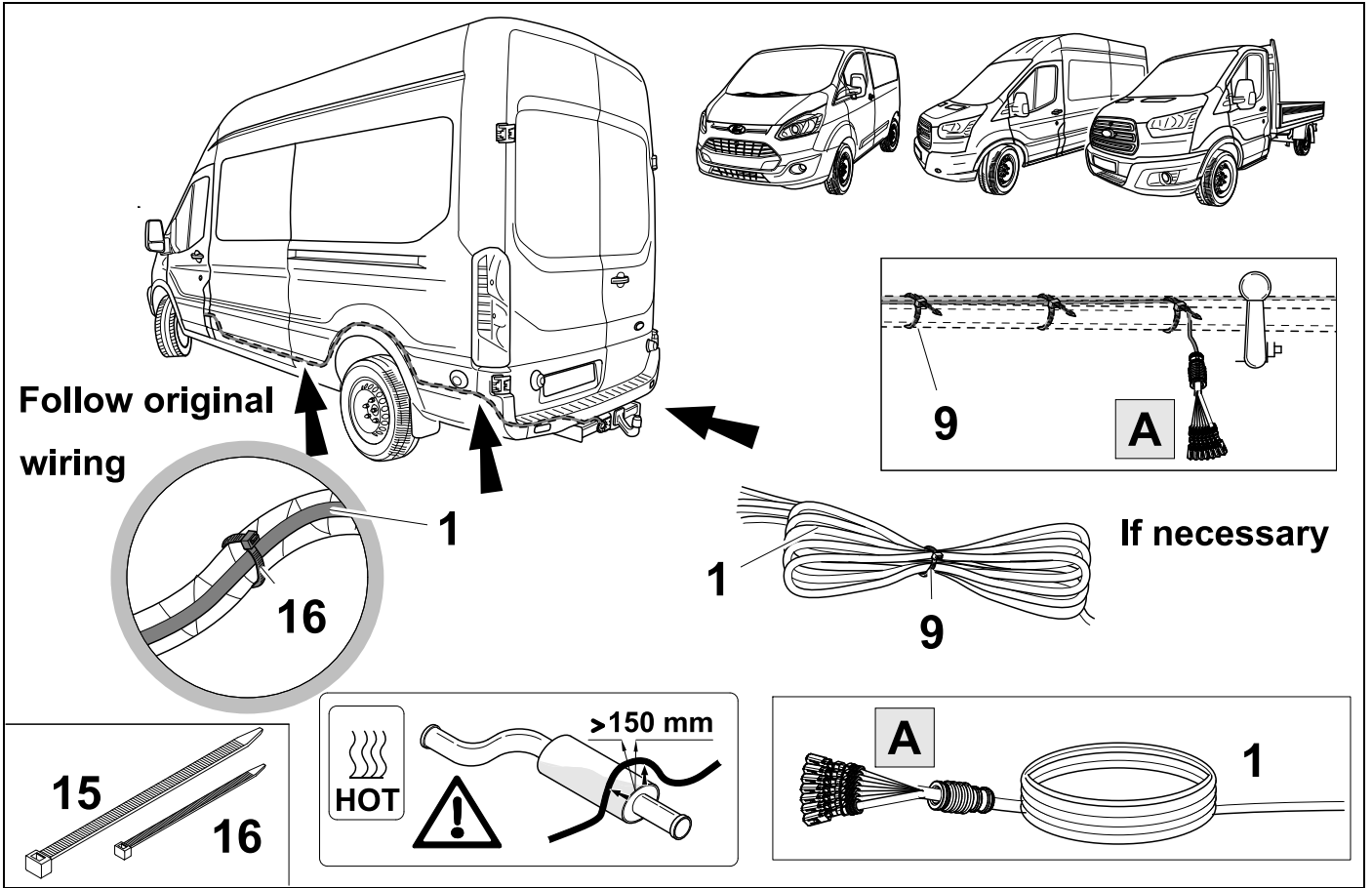


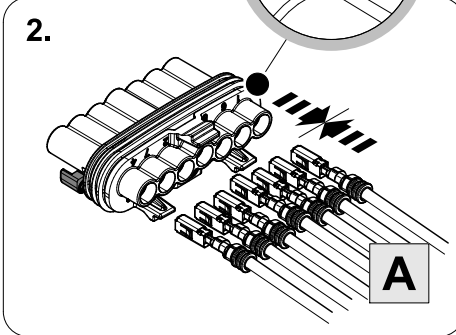
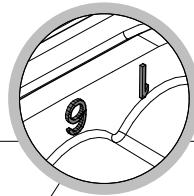
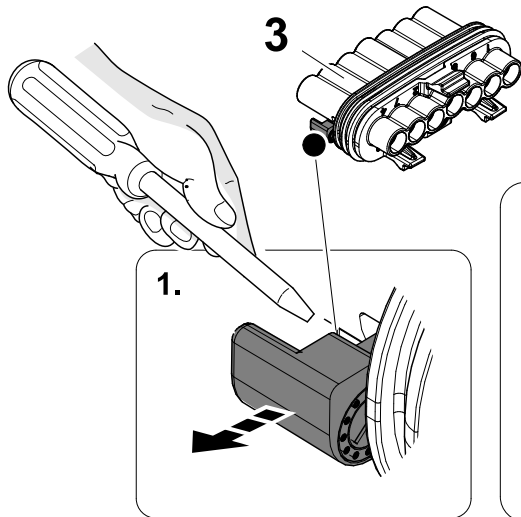
1



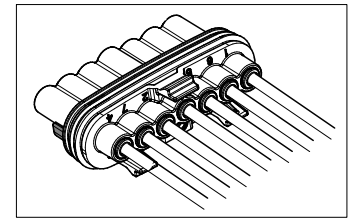
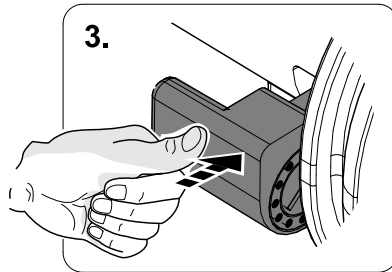
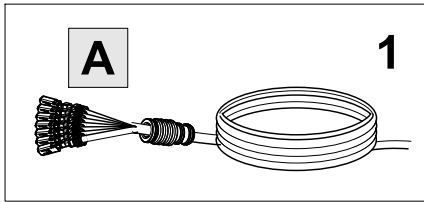




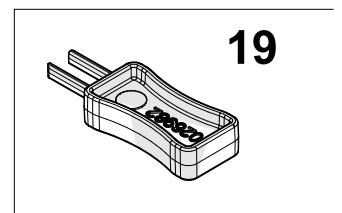
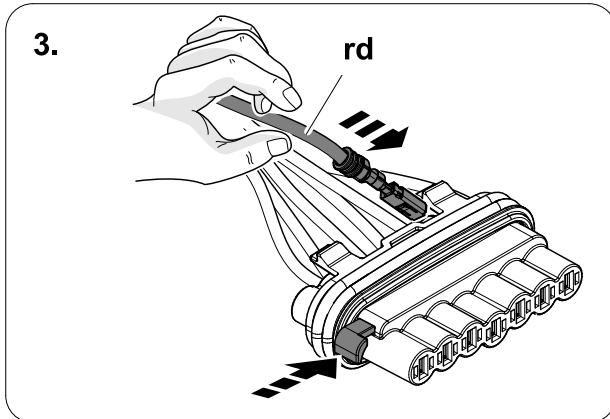
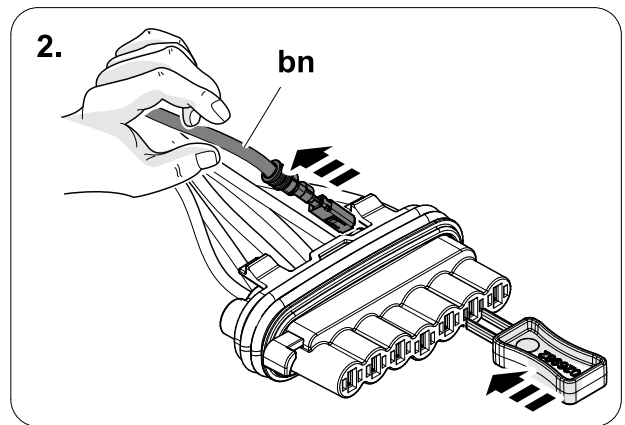
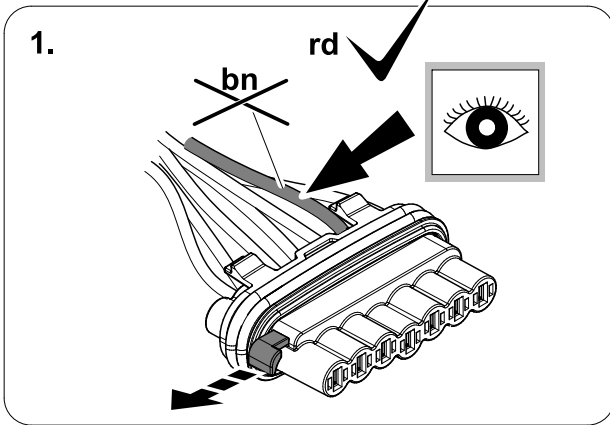




ye	1	
rd	6	
bu	5	
wh	3	
bk	2	
bn	7	
gn	4	

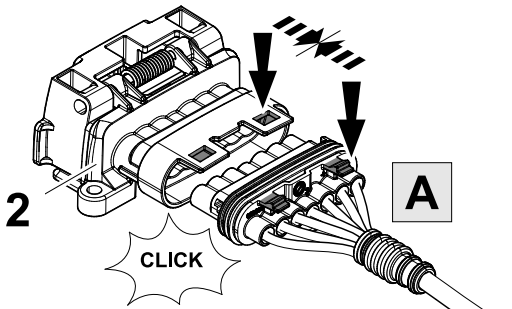


In case of wrong pin insert:

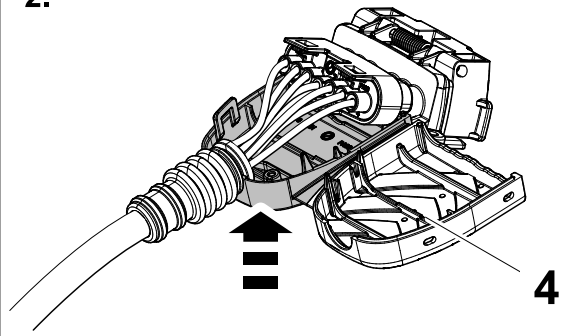




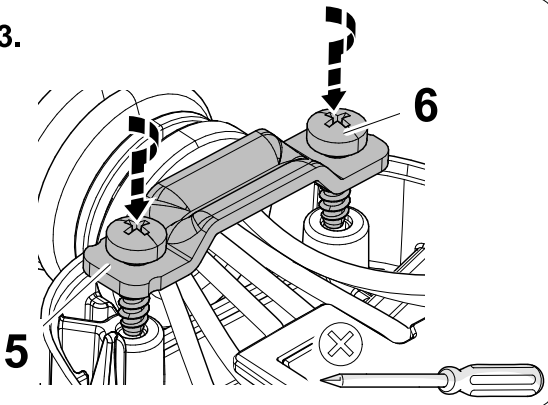
1.



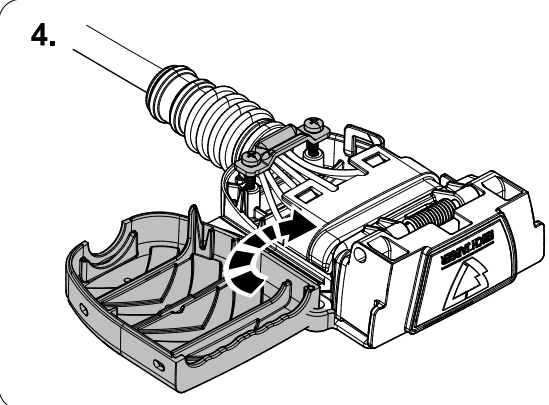
2.



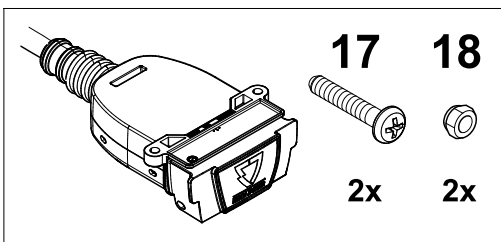
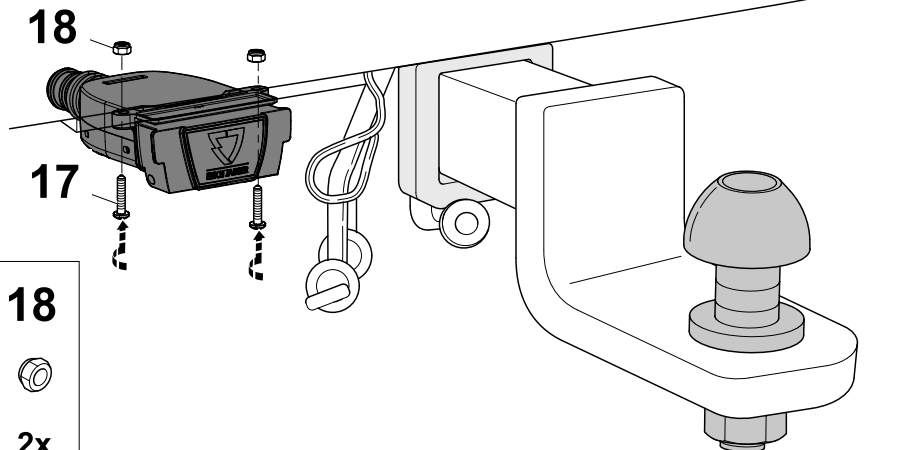
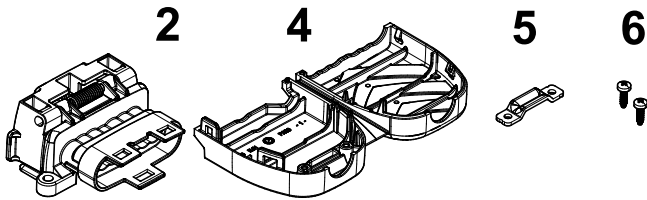
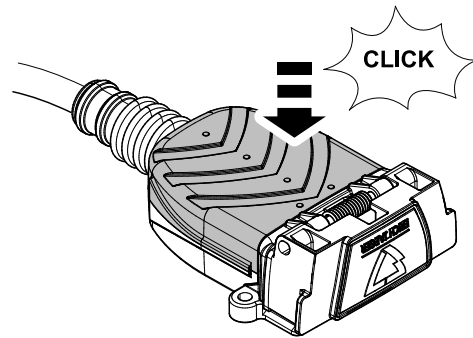
3.



4.



5.



9

 ⇒ 10

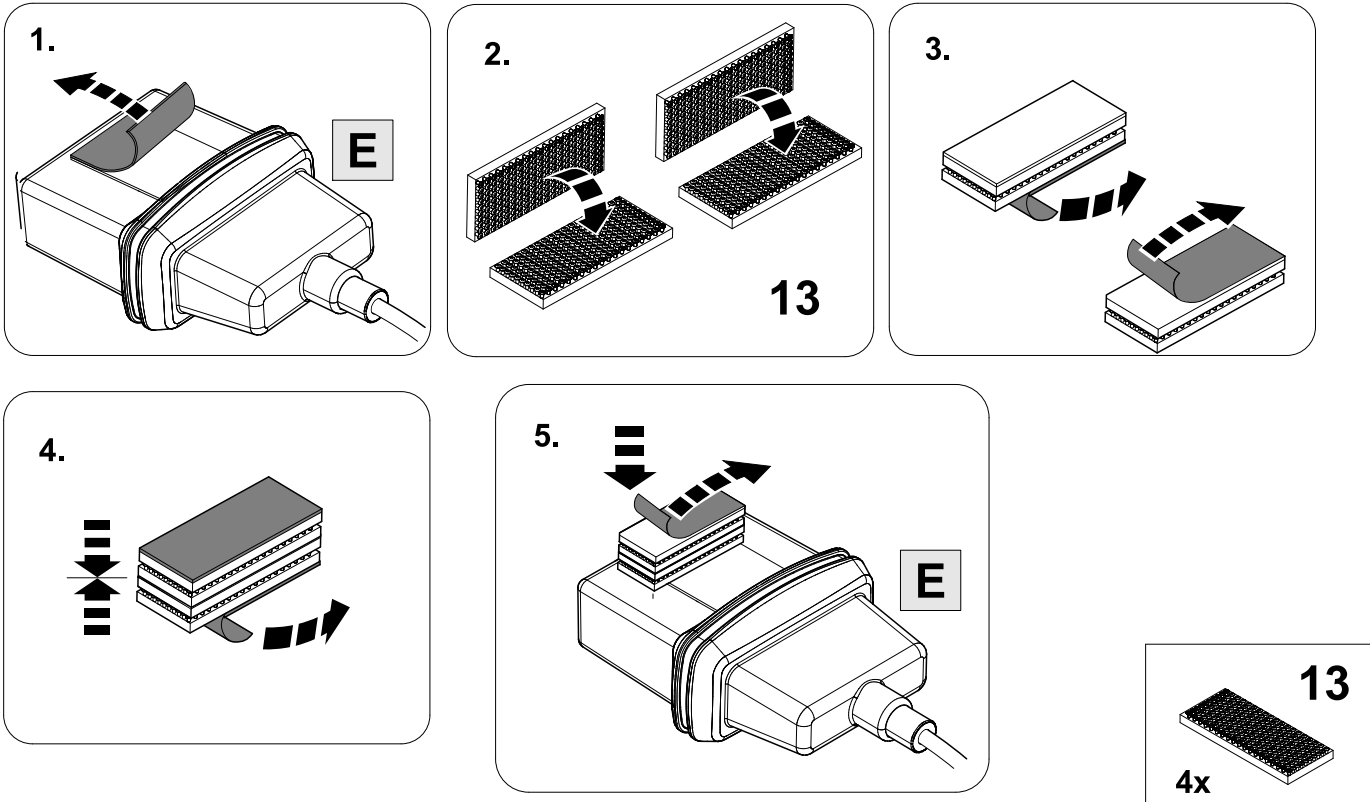
1	ye	
2	bk	
3	wh	
4	gn	
5	bu	
6	rd	
7	bn	


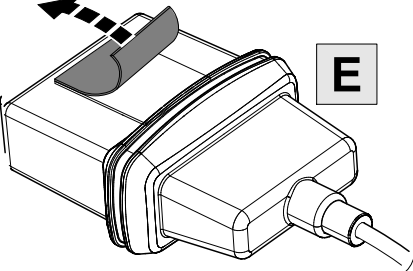
10 bk wh gy gn rd bu ye bn pu or no

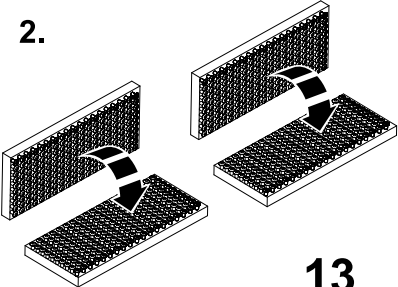
	black	white	grey	green	red	blue	yellow	brown	purple	orange	not occupied
---	-------	-------	------	-------	-----	------	--------	-------	--------	--------	--------------

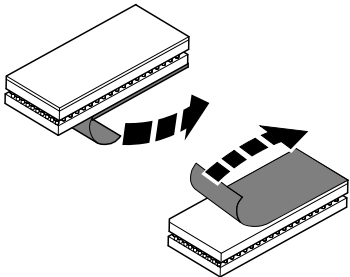
11

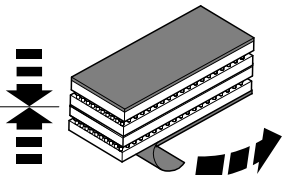
 ⇒ 24

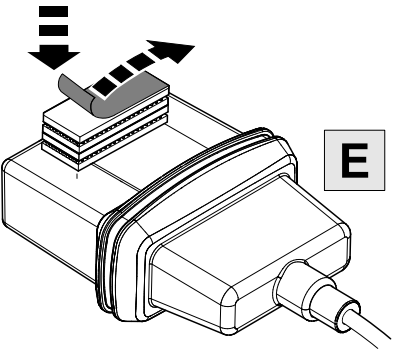


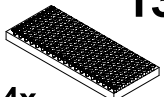
1.   E

2.  13

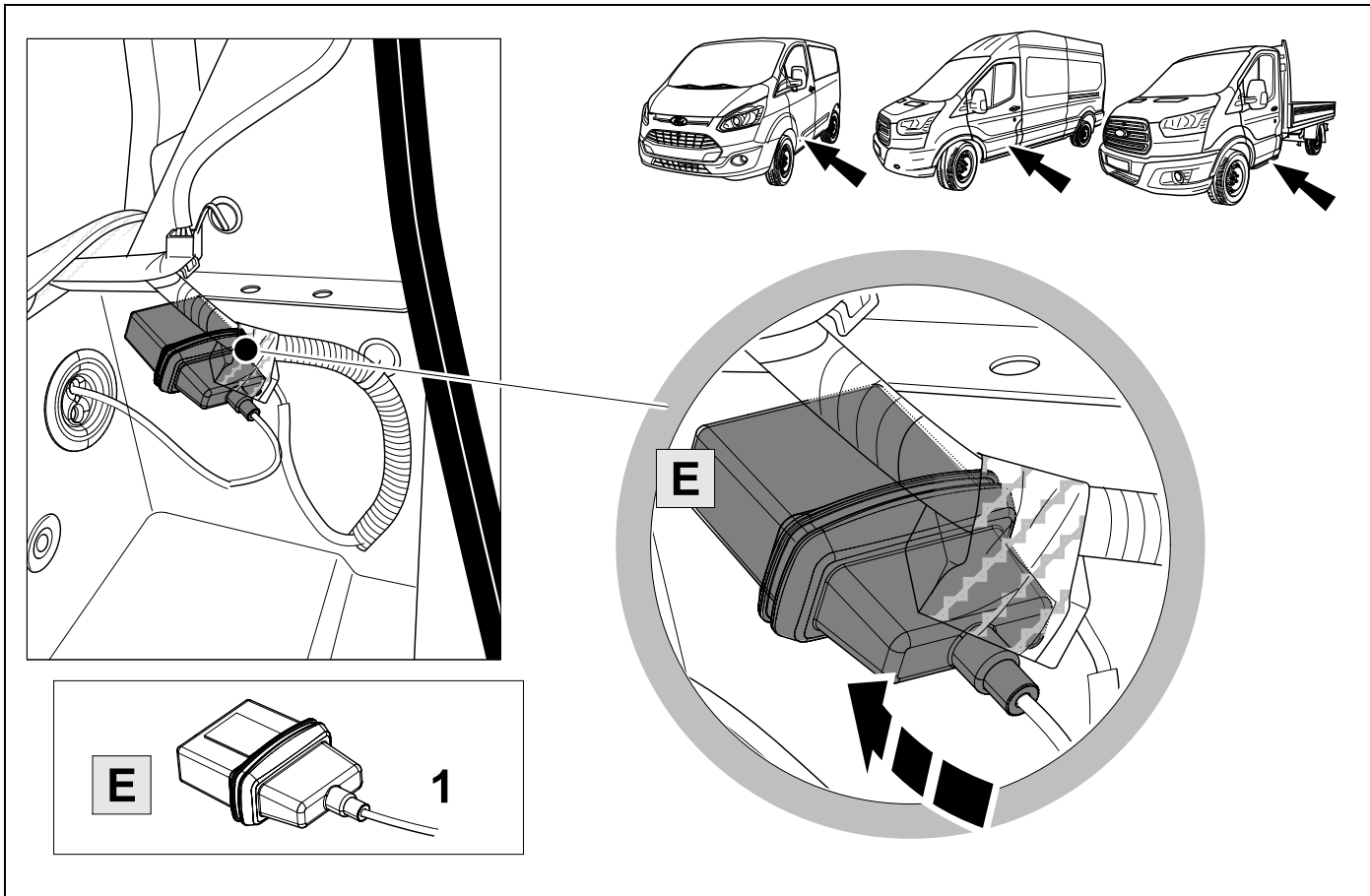
3. 

4. 

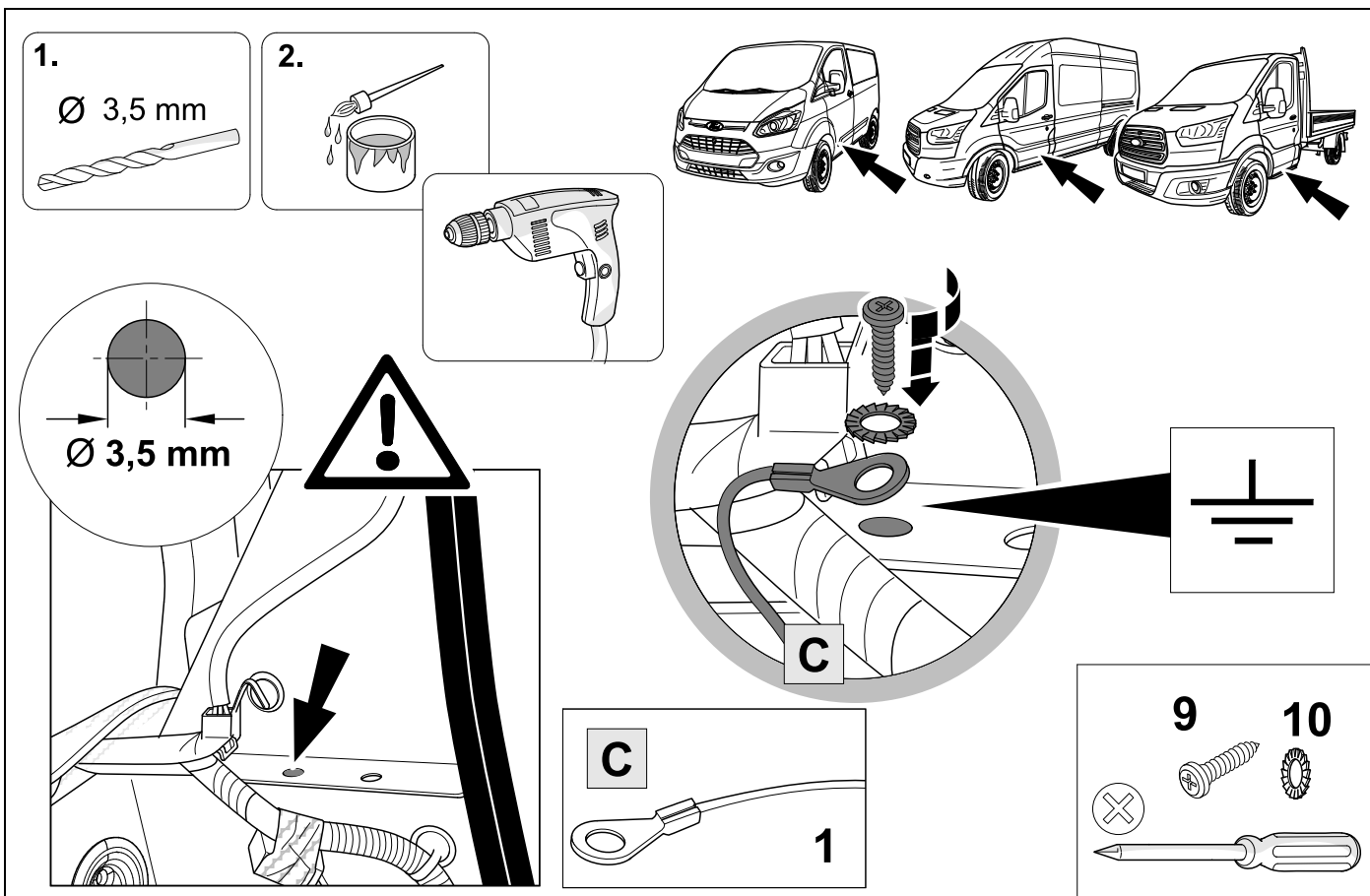
5.  E

 13
4x

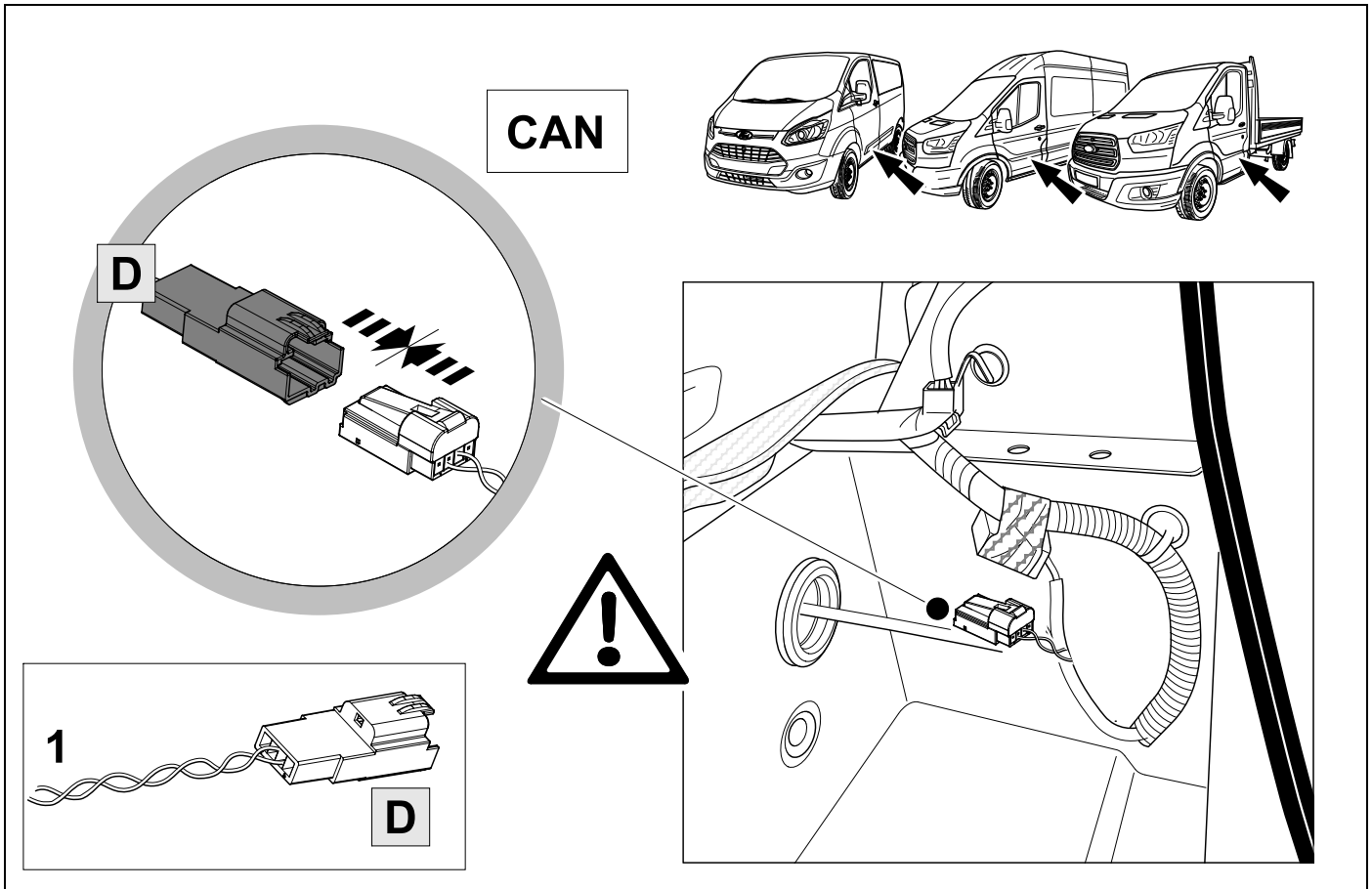
12



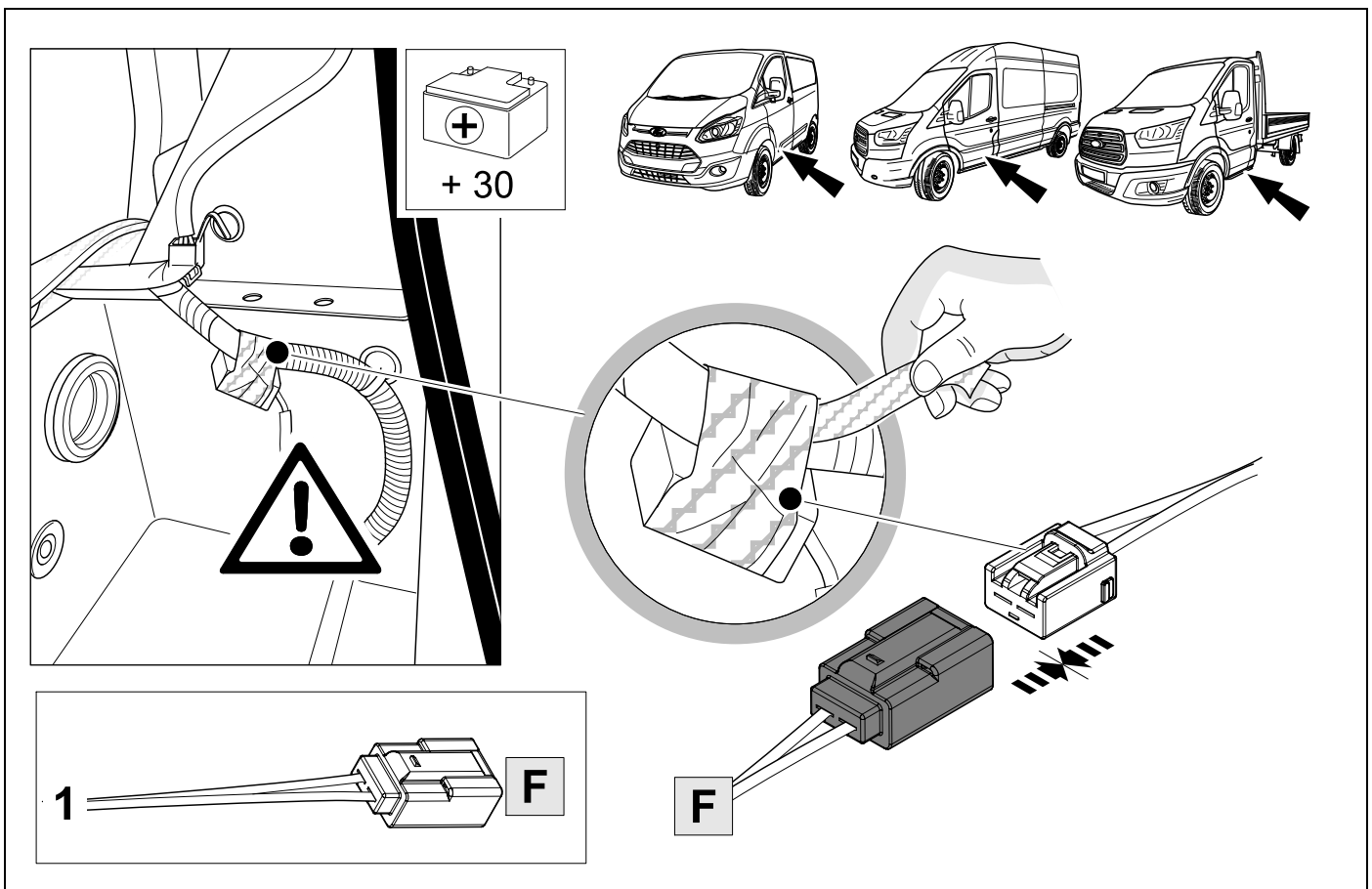
13



14



15



16



22

Diagram illustrating the replacement of fuse F5. The fuse layout grid shows the following arrangement:

F66	F52	F37	F29	F14
F65	F51	F28	F13	
F64	F50	F36	F27	F12
F63	F49	F35	F26	F11
F62	F48	F34	F25	F10
F61	F47	F33	F24	F9
F60	F46	F32	F23	F8
F59	F45	F31	F22	F7
F58	F44	F30	F21	F6
F57	F43	F29	F20	F5
F56	F42	F28	F19	F4
F55	F41	F27	F18	F3
F54		F26	F17	F2
F53		F25	F16	F1
F52		F24	F15	
F51		F23	F14	
F50		F22	F13	
F49		F21	F12	
F48		F20	F11	
F47		F19	F10	
F46		F18	F9	
F45		F17	F8	
F44		F16	F7	
F43		F15	F6	
F42		F14	F5	
F41		F13	F4	
F40		F12	F3	
F39		F11	F2	
F38		F10	F1	
F37		F9		
F36		F8		
F35		F7		
F34		F6		
F33		F5		
F32		F4		
F31		F3		
F30		F2		
F29		F1		
F28				
F27				
F26				
F25				
F24				
F23				
F22				
F21				
F20				
F19				
F18				
F17				
F16				
F15				
F14				
F13				
F12				
F11				
F10				
F9				
F8				
F7				
F6				
F5				
F4				
F3				
F2				
F1				

Step 1: Remove the old fuse (40A) from the F5 slot. Step 2: Insert the new fuse (20A) into the F5 slot. A warning triangle and a recycling bin icon are also present.

17



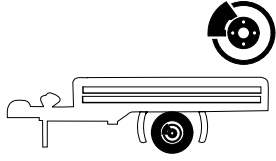
22

Diagram illustrating the replacement of fuse F5. The fuse layout grid is identical to the one in step 16.

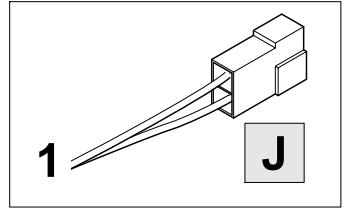
Step 1: Remove the old fuse (40A) from the F5 slot. Step 2: Insert the new fuse (20A) into the F5 slot. A warning triangle and a recycling bin icon are also present.



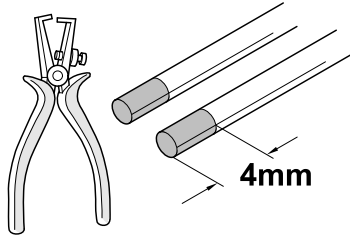
**BRAKE
CONTROLLER
PREPARED**



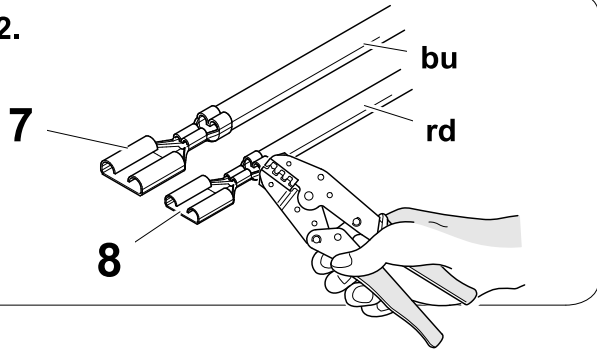
Trailer Brake Preparation



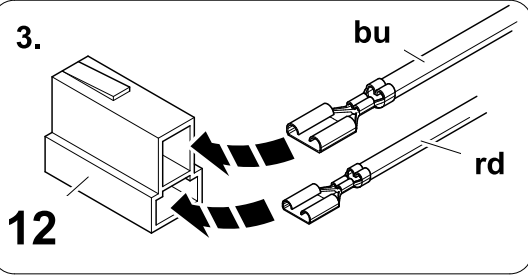
1.



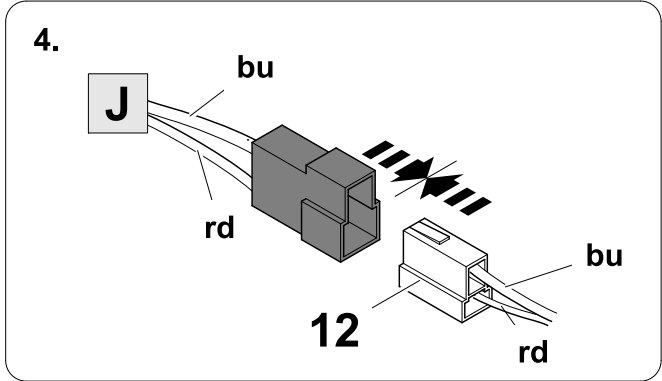
2.



3.



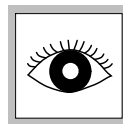
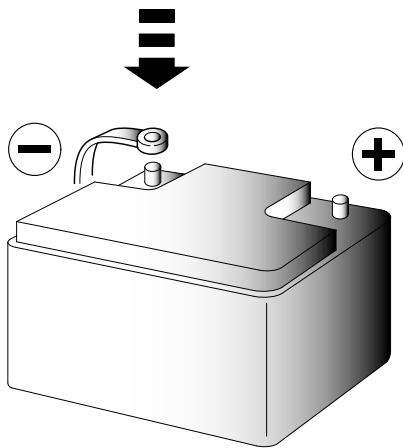
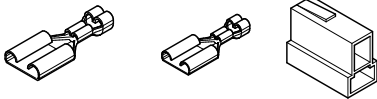
4.



7

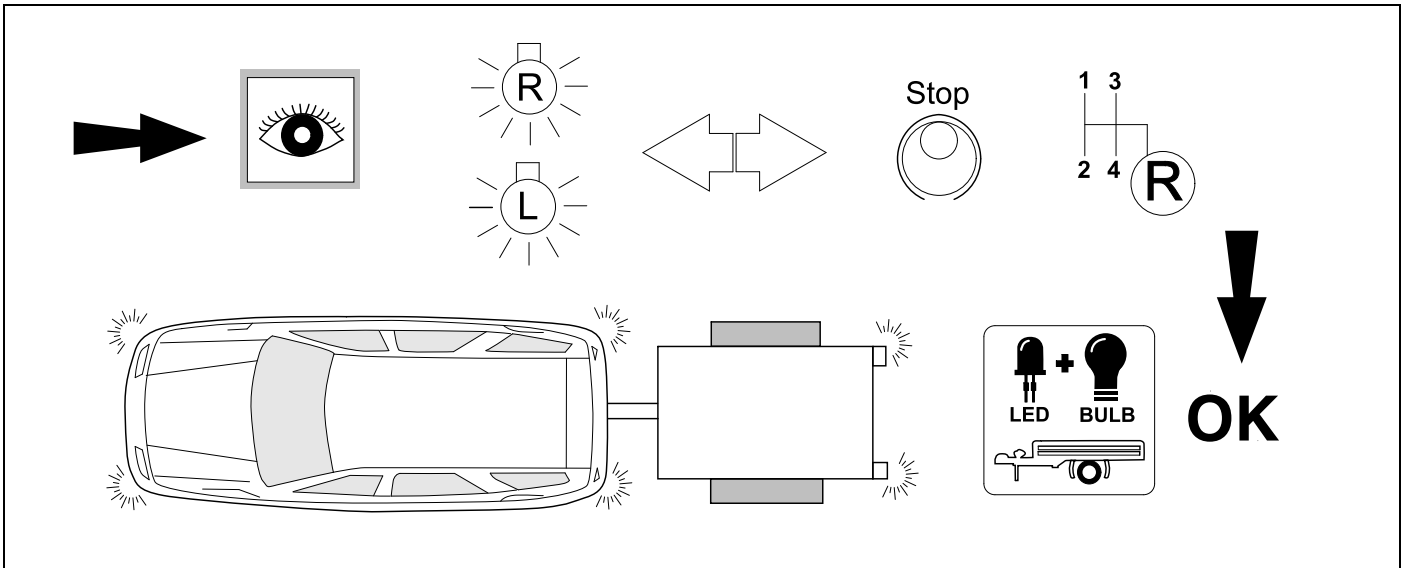
8

12



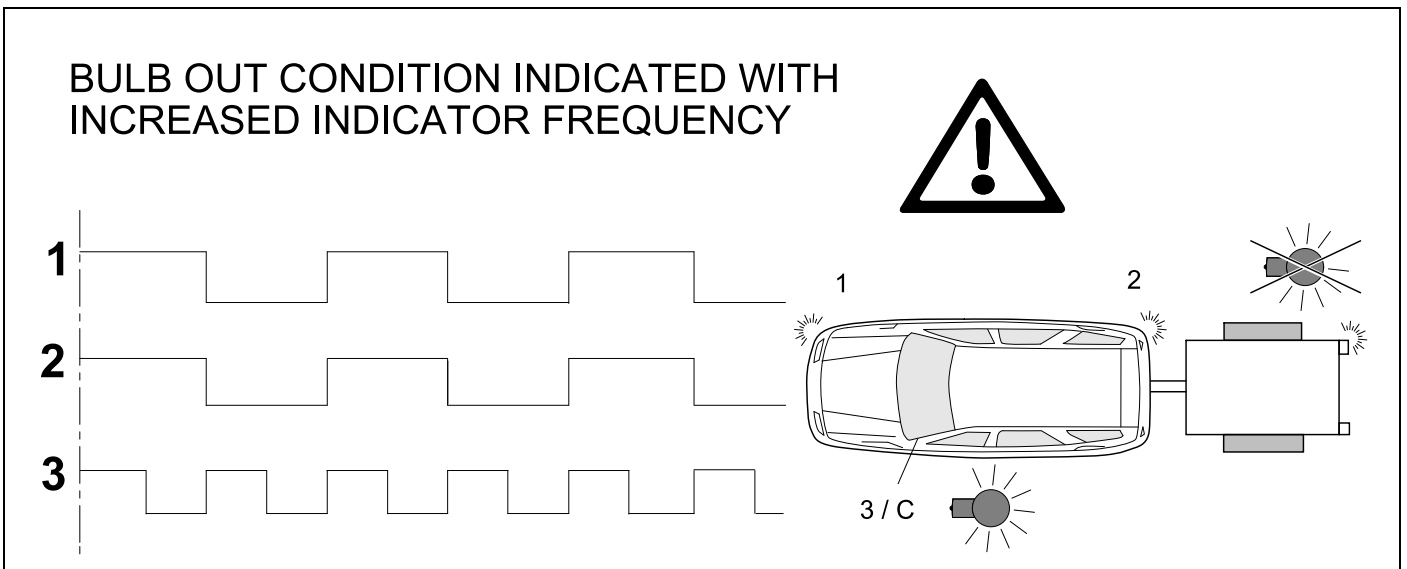
20

CHECK ALL LIGHTING FUNCTIONS



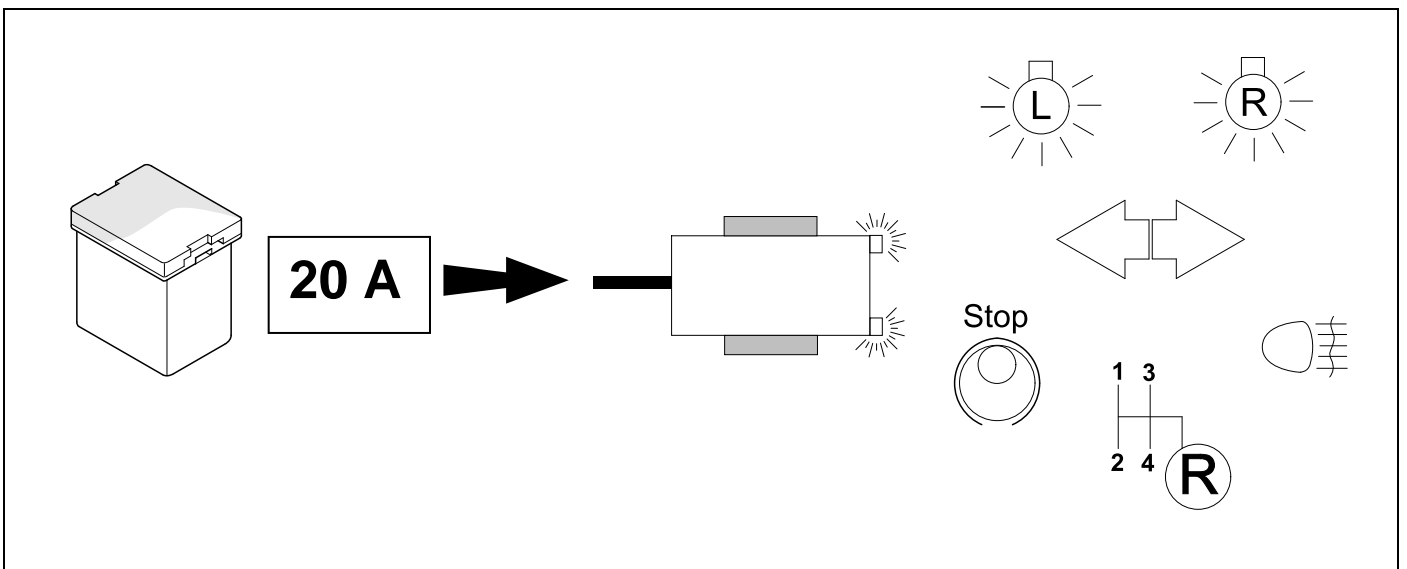
21

CHECK BULB OUT DETECTION



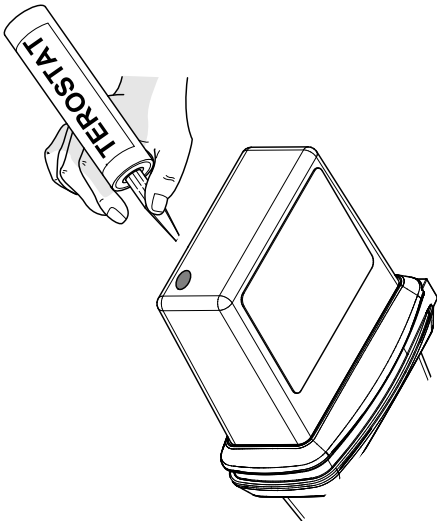
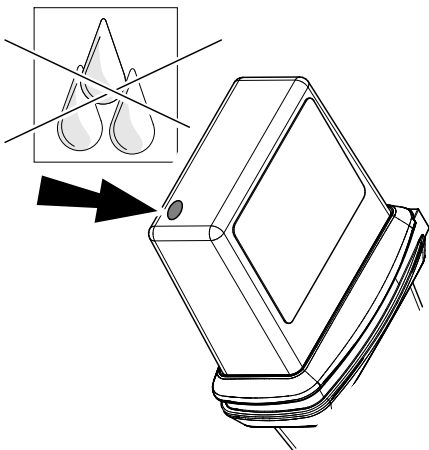
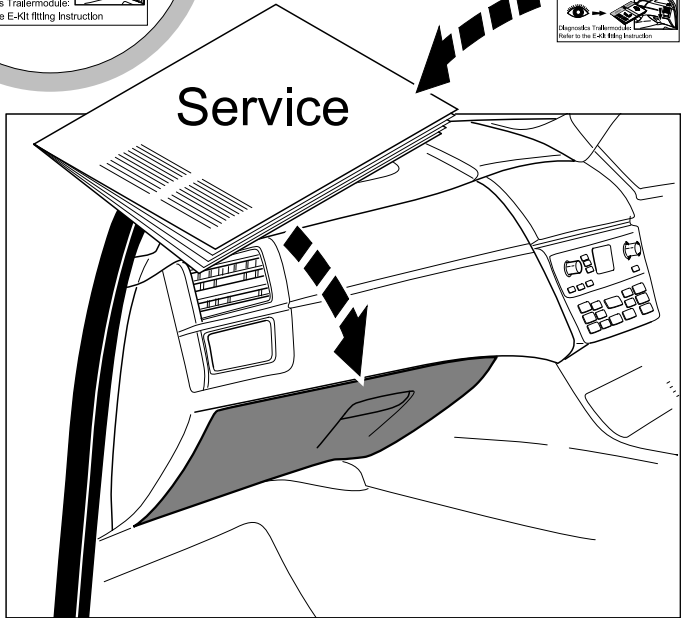
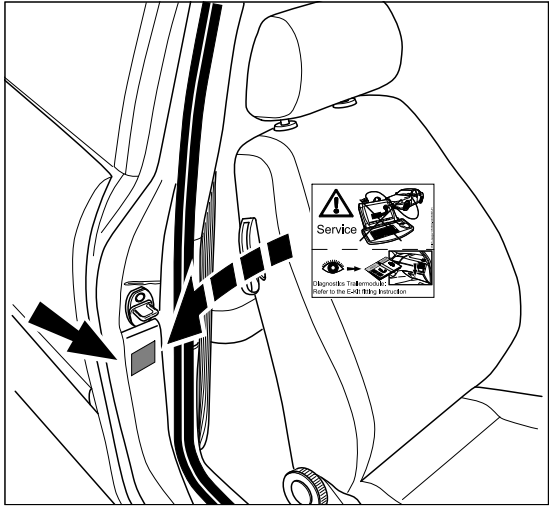
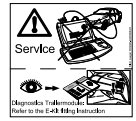
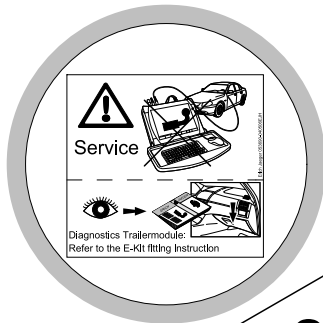
22

⇒ 16 + 17

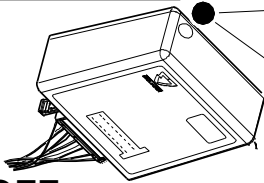
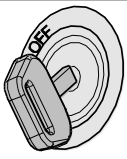




2x 14



Operation Support



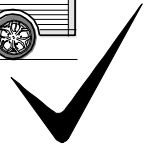
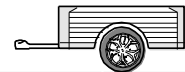
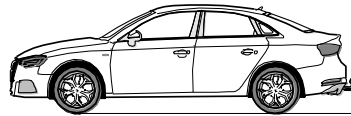
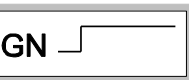
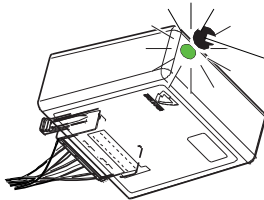
No CAN-Data =



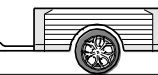
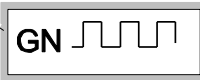
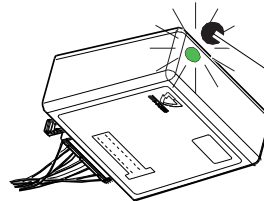
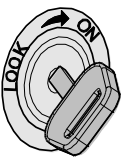
Standby / Sleepmode



Ignition OFF



Ignition ON



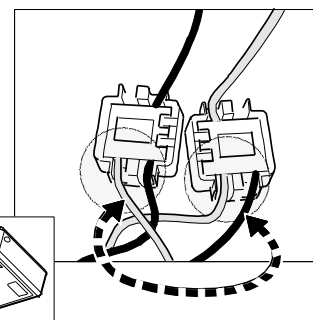
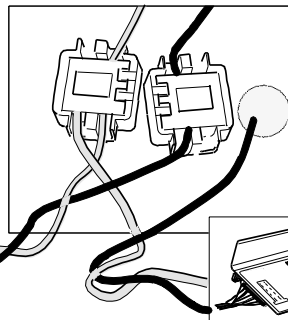
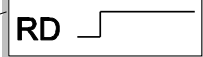
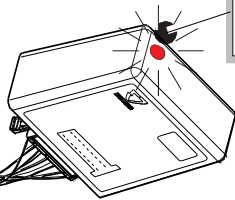
Ignition ON

Failure Support

CAN-Data Wire

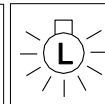
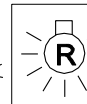


1x max. 5 min.

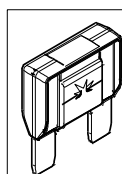
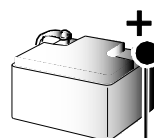
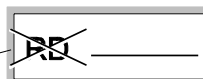
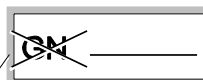
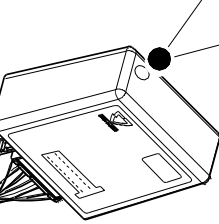


Ignition ON

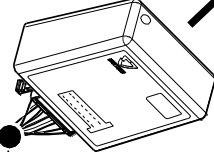
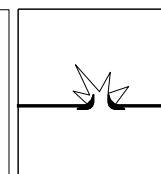
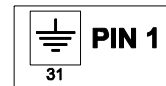
Failure indicated by the module LED glowing red for a maximum of 5 minutes. If trailer connected the tail lights will also glow indicating failure of CAN signal.

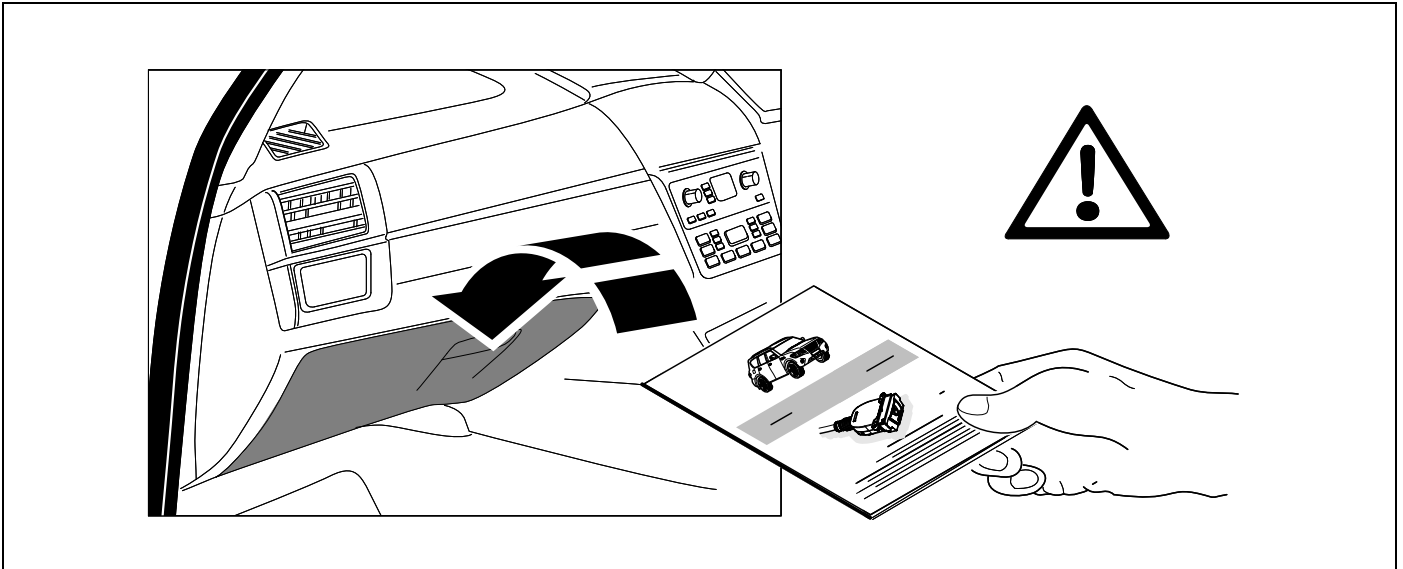


Ignition ON



or





Subject to change in terms of construction, equipment and colour, and may contain errors.
The information and illustrations are non-binding.