

750075EJ

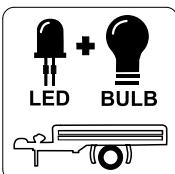
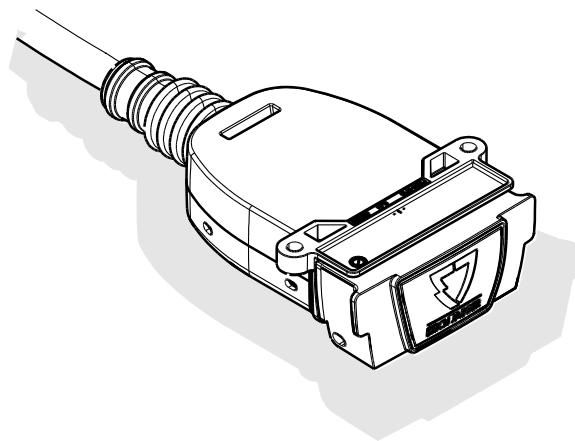
Mercedes Benz GLC

X253

09/15 - 06/19



SCAN FOR
LATEST
INSTRUCTIONS



Reference:

The following information must be reviewed before beginning the assembly:

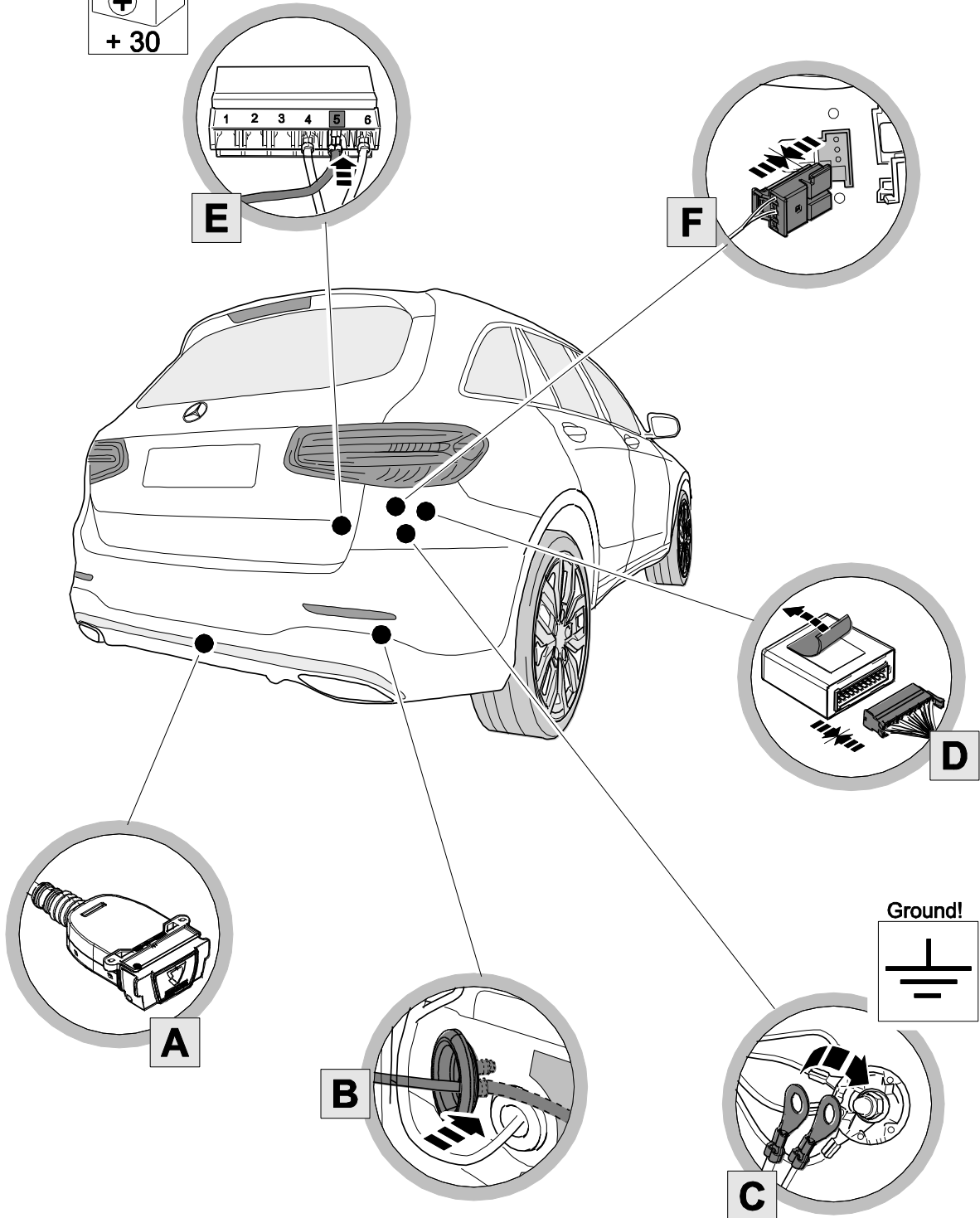
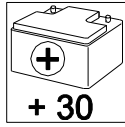
The installation instructions are to be thoroughly read.

The installation should be carried out by qualified personnel with the relevant technical knowledge. The vehicle manufacturers' current technical notices and information on retrofitting must be followed. The removal and replacement instructions found in the current repair manuals must be followed.

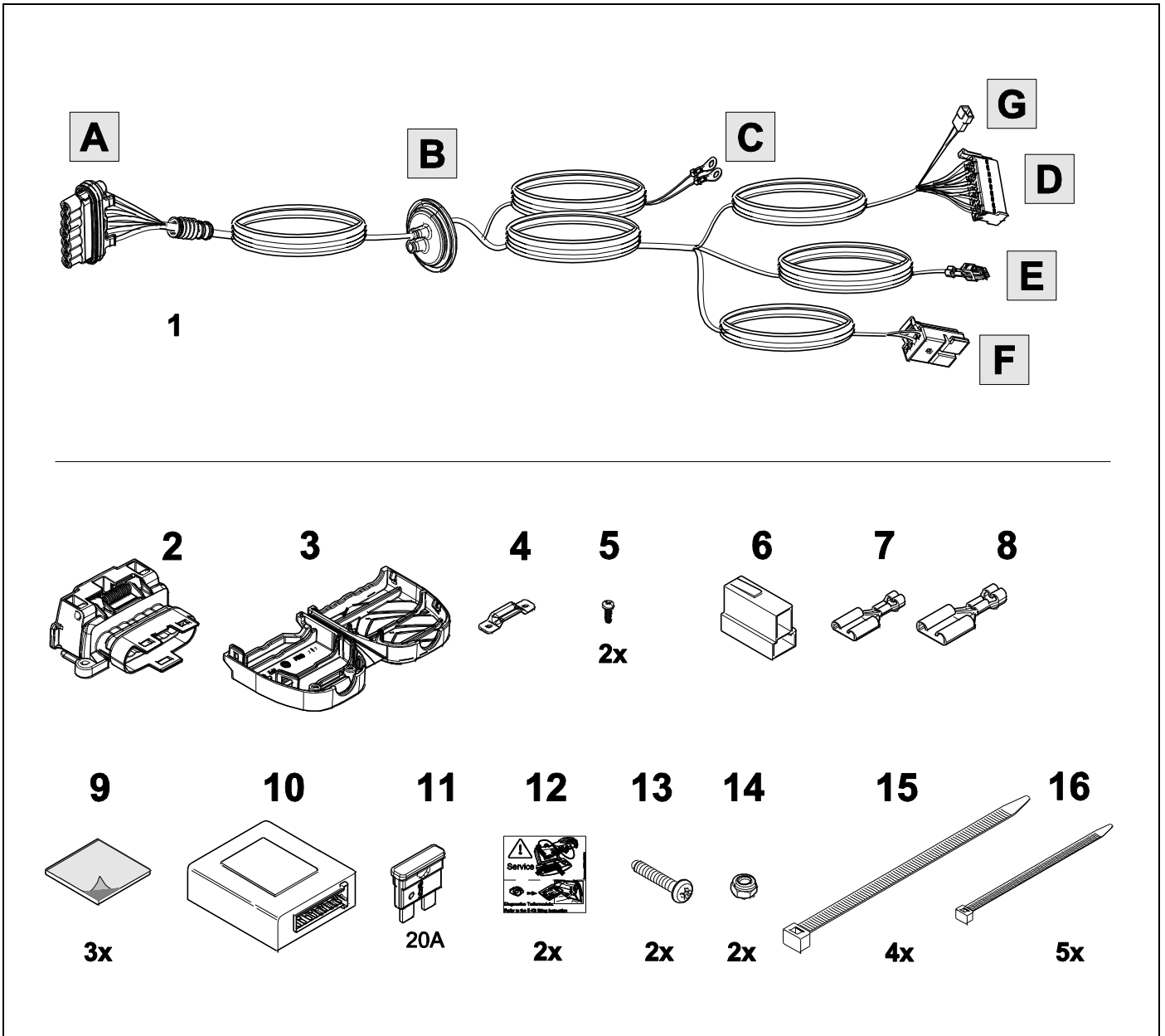
It must be ensured that the vehicle is technically suitable for the installation of a trailer hitch.

OVERVIEW

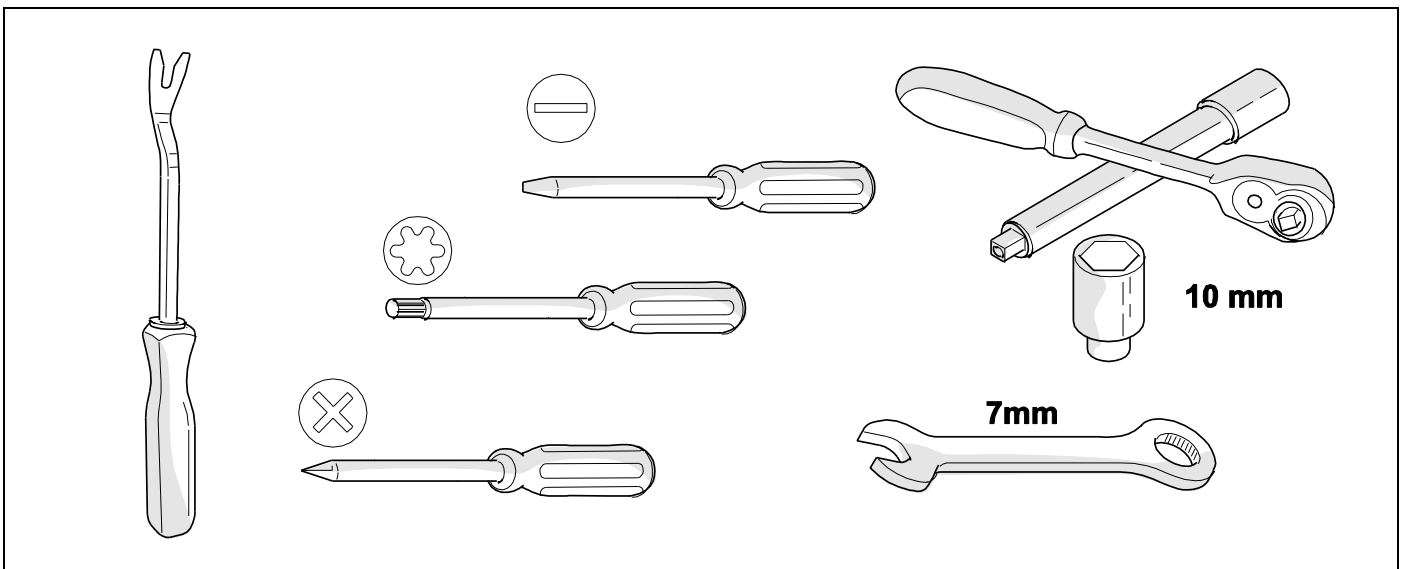
Hot all times!

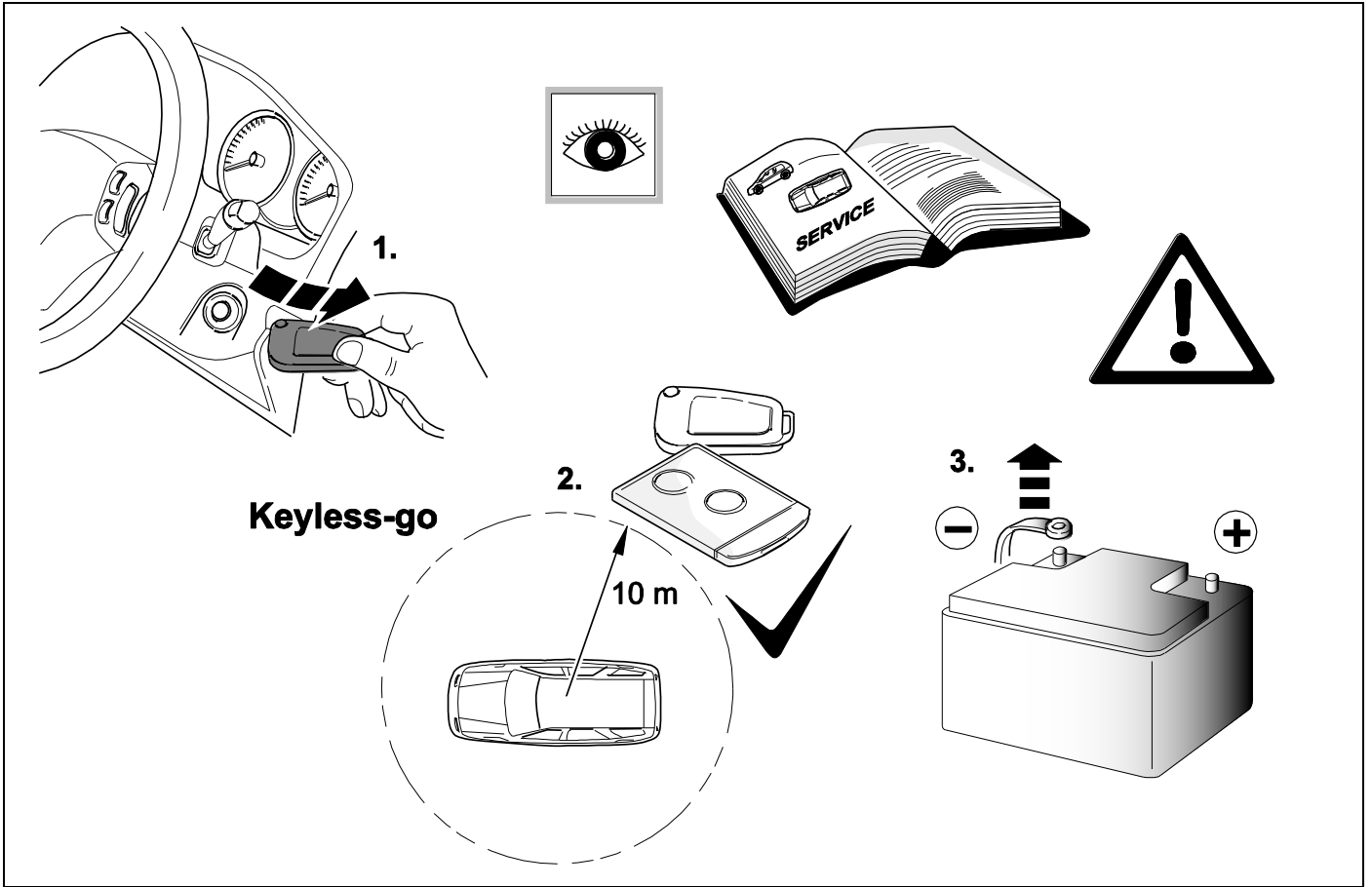


KIT

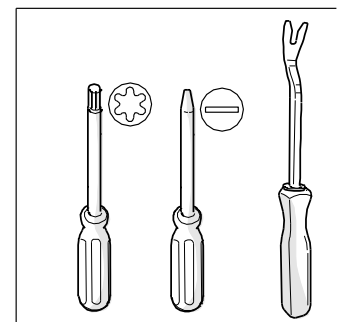
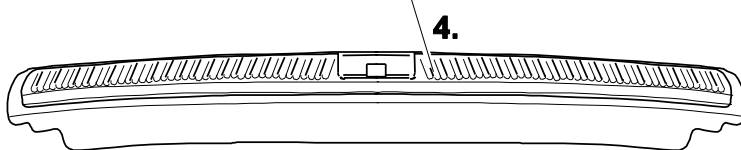
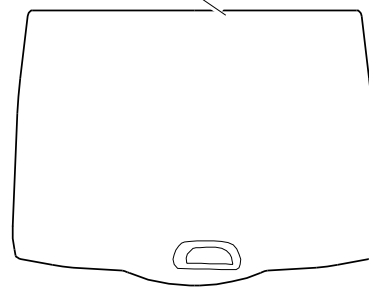
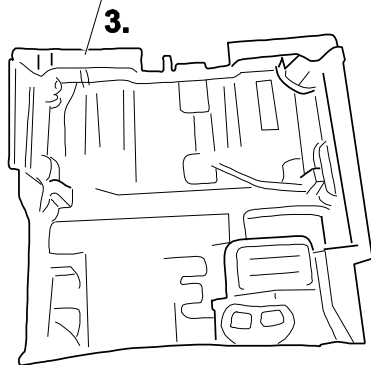
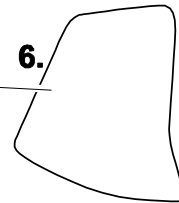
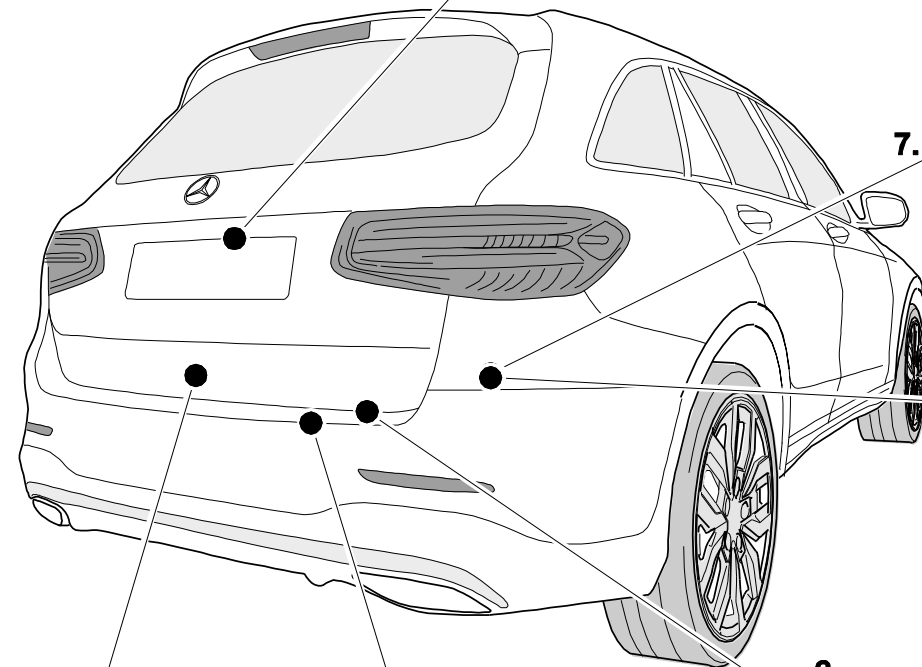
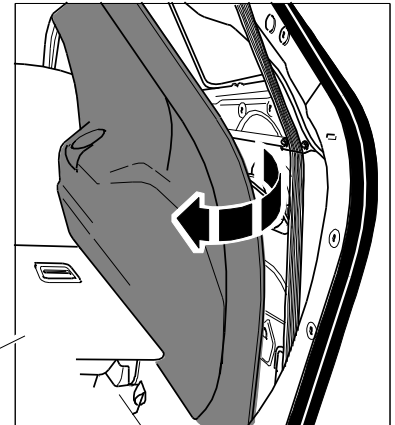
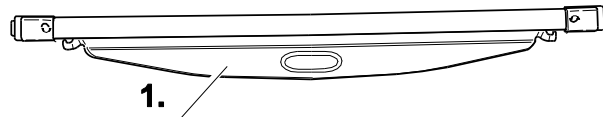
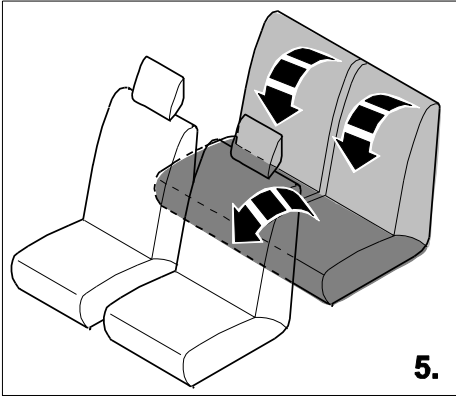


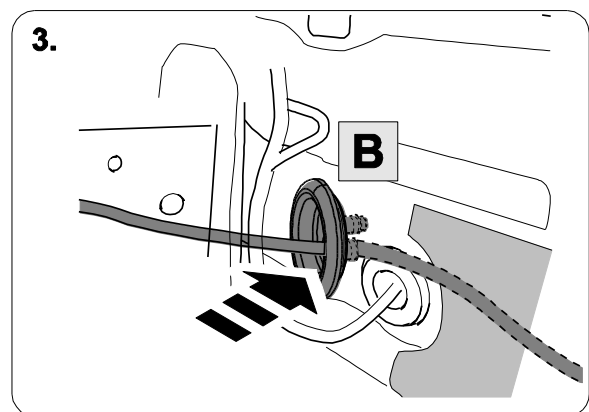
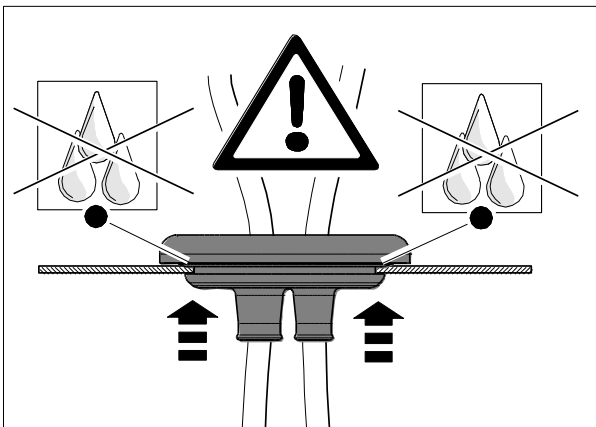
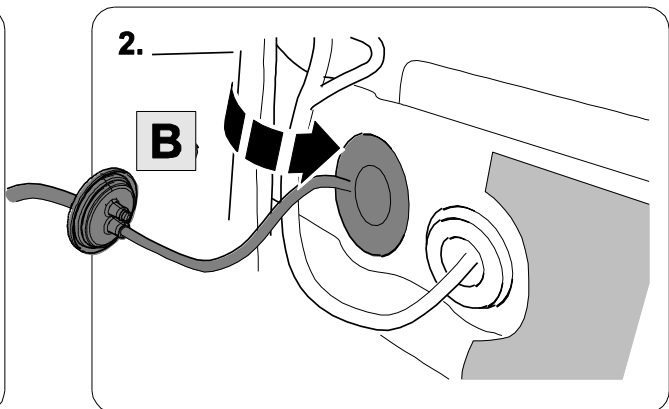
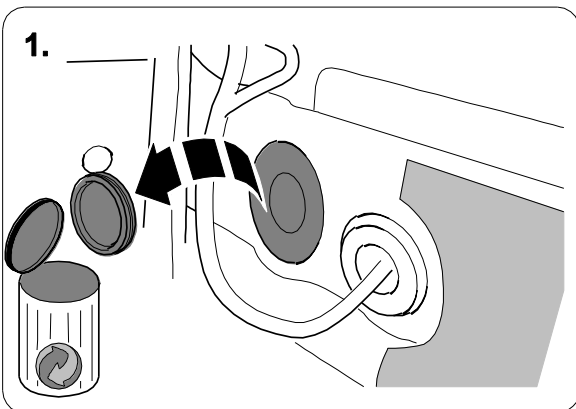
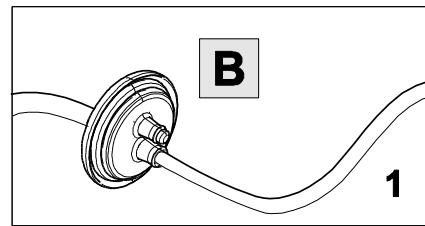
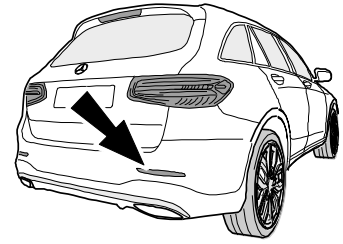
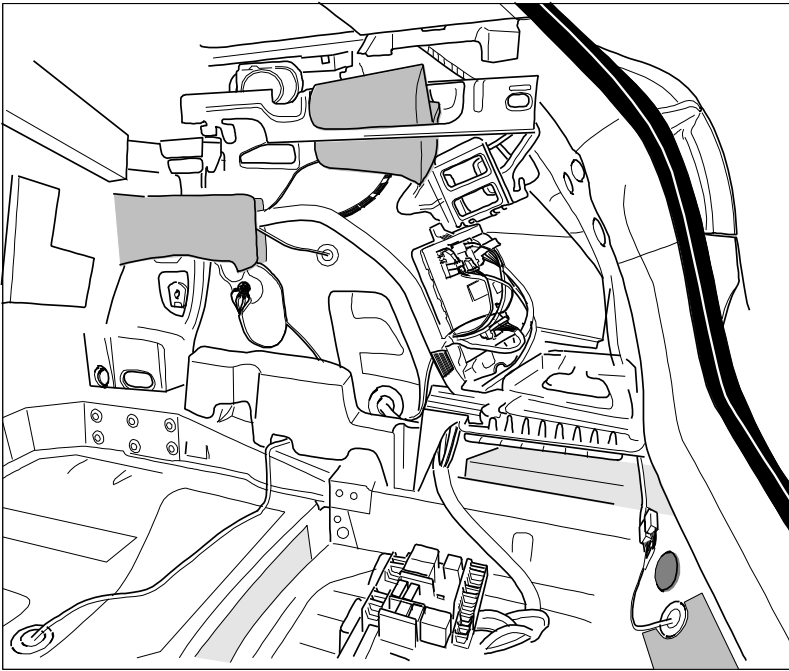
TOOLS



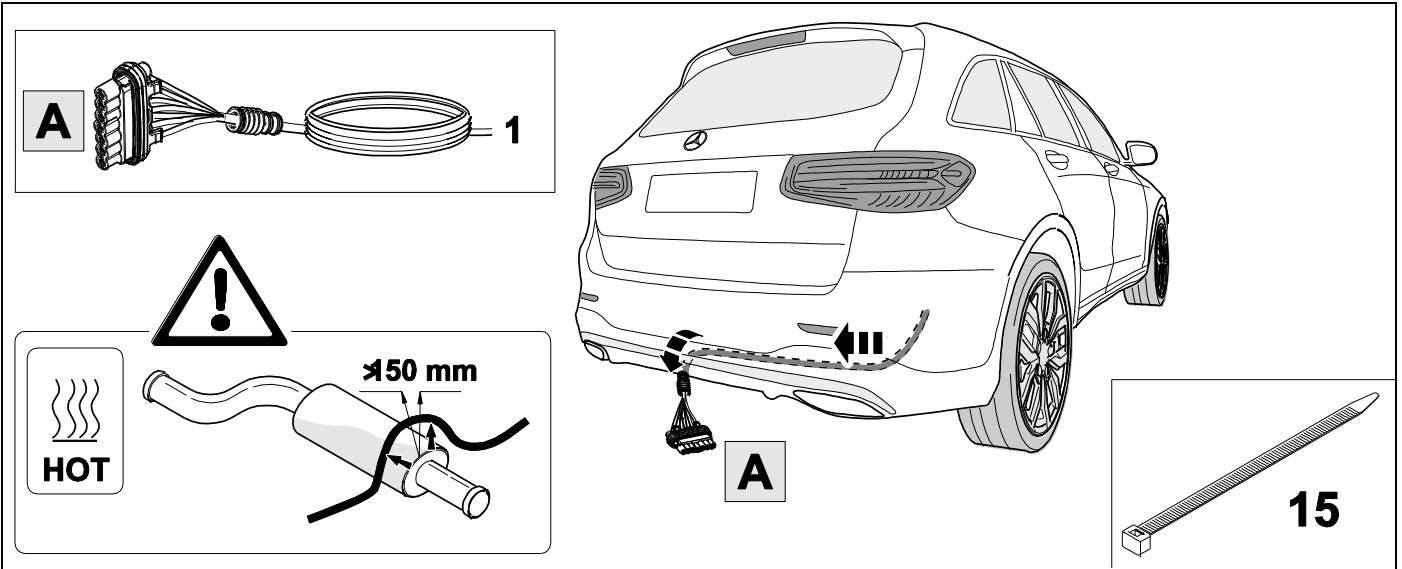


2 REMOVE

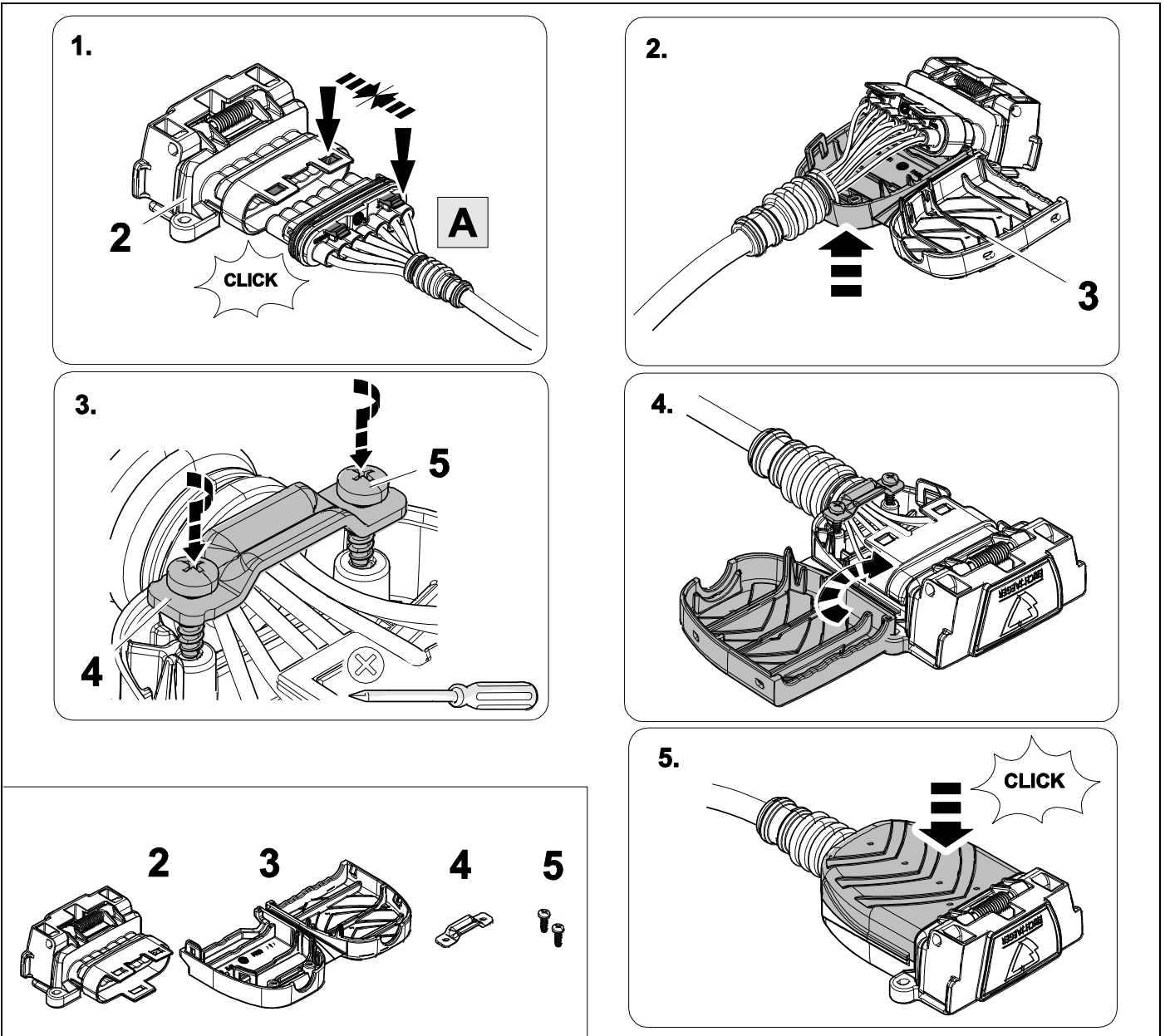




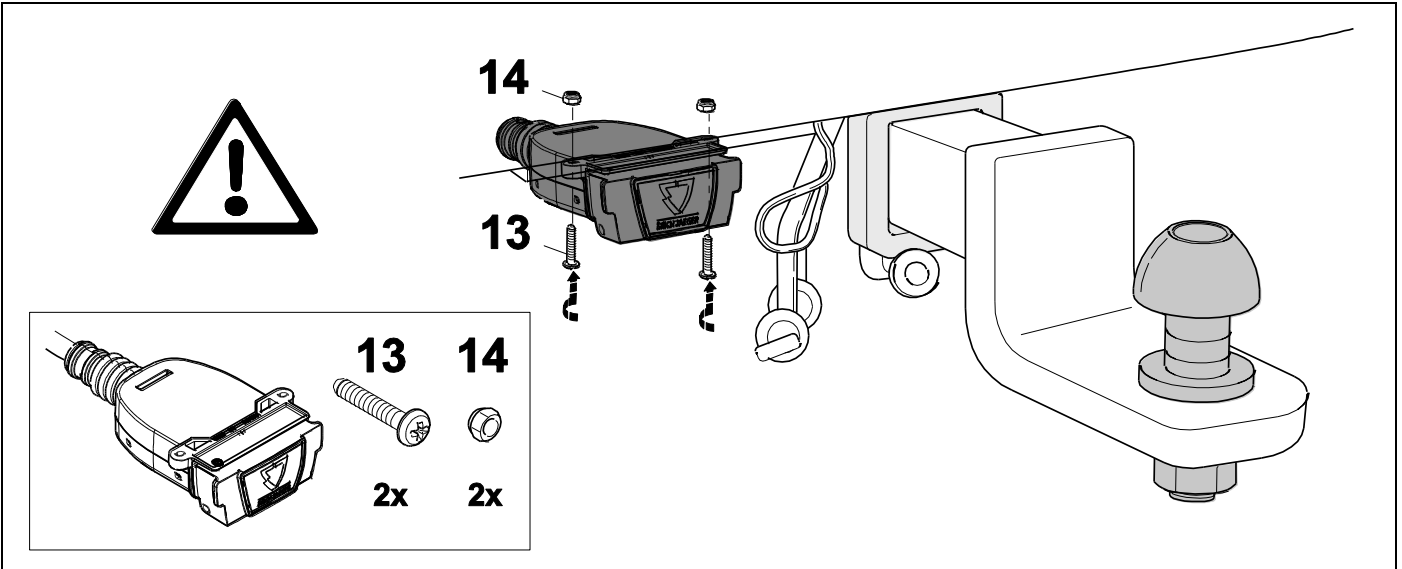
4



5



6



7

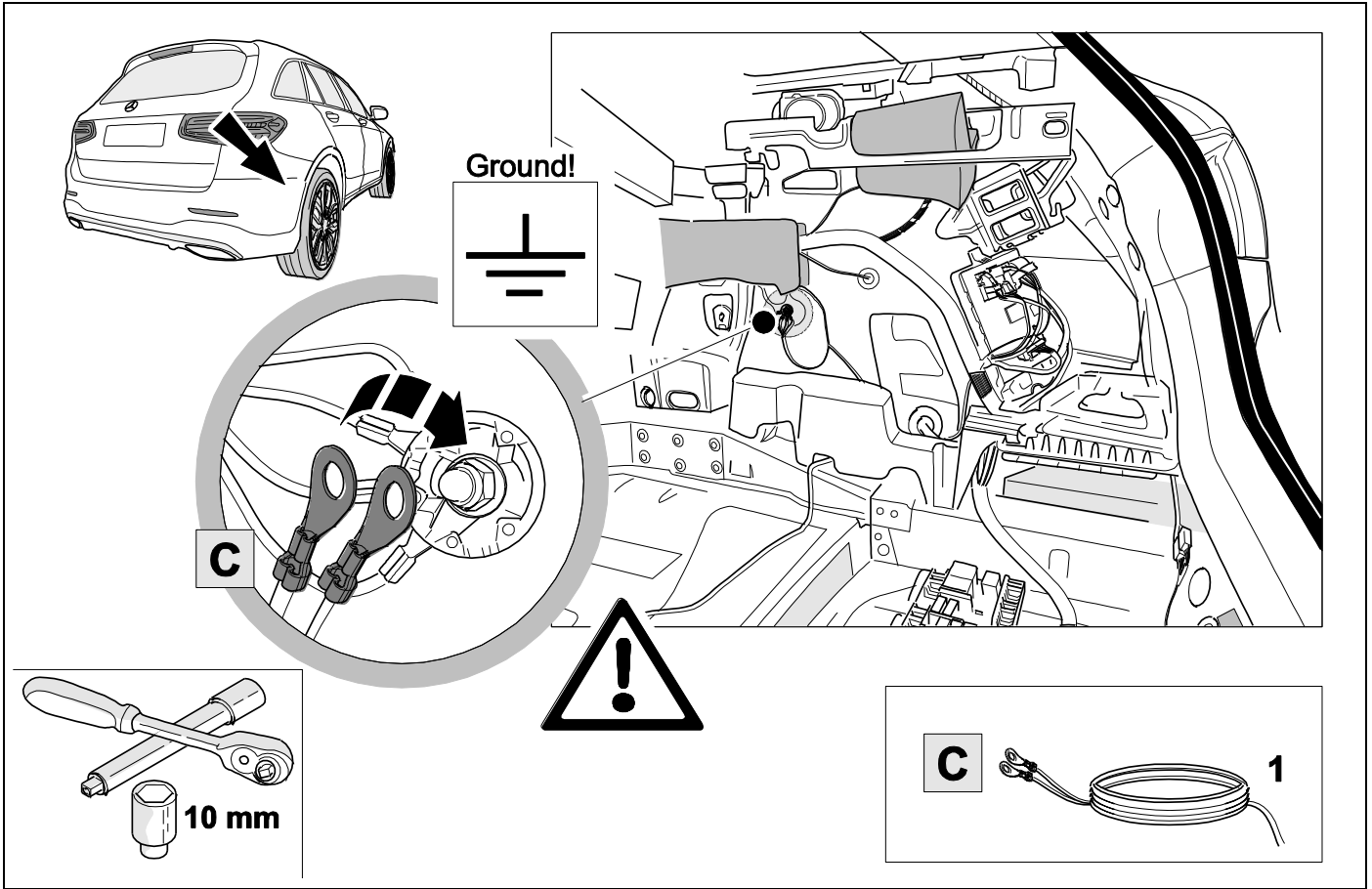


8

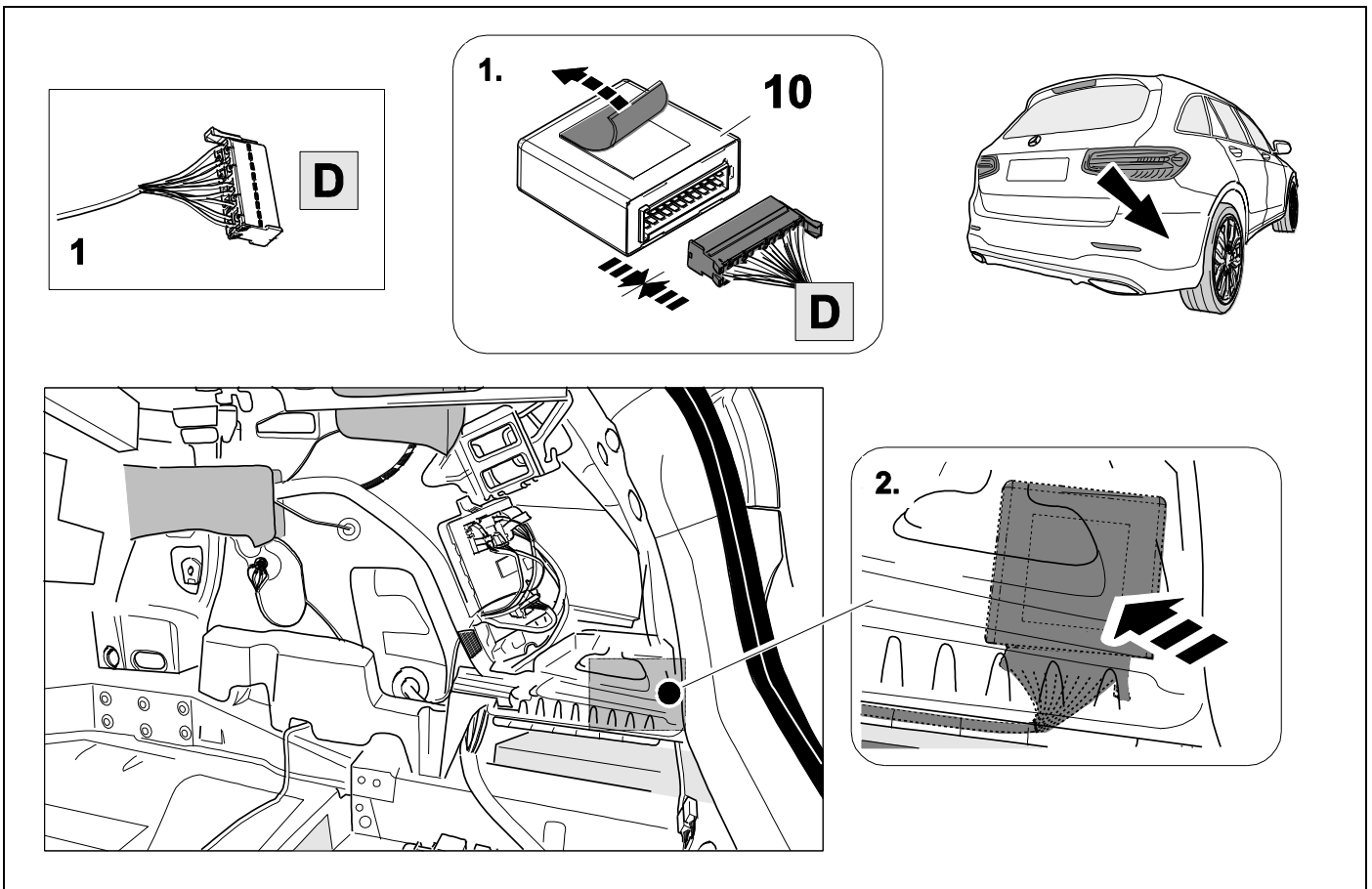
1	ye	
2	bk	
3	wh	
4	gn	
5	bu	
6	rd	
7	bn	

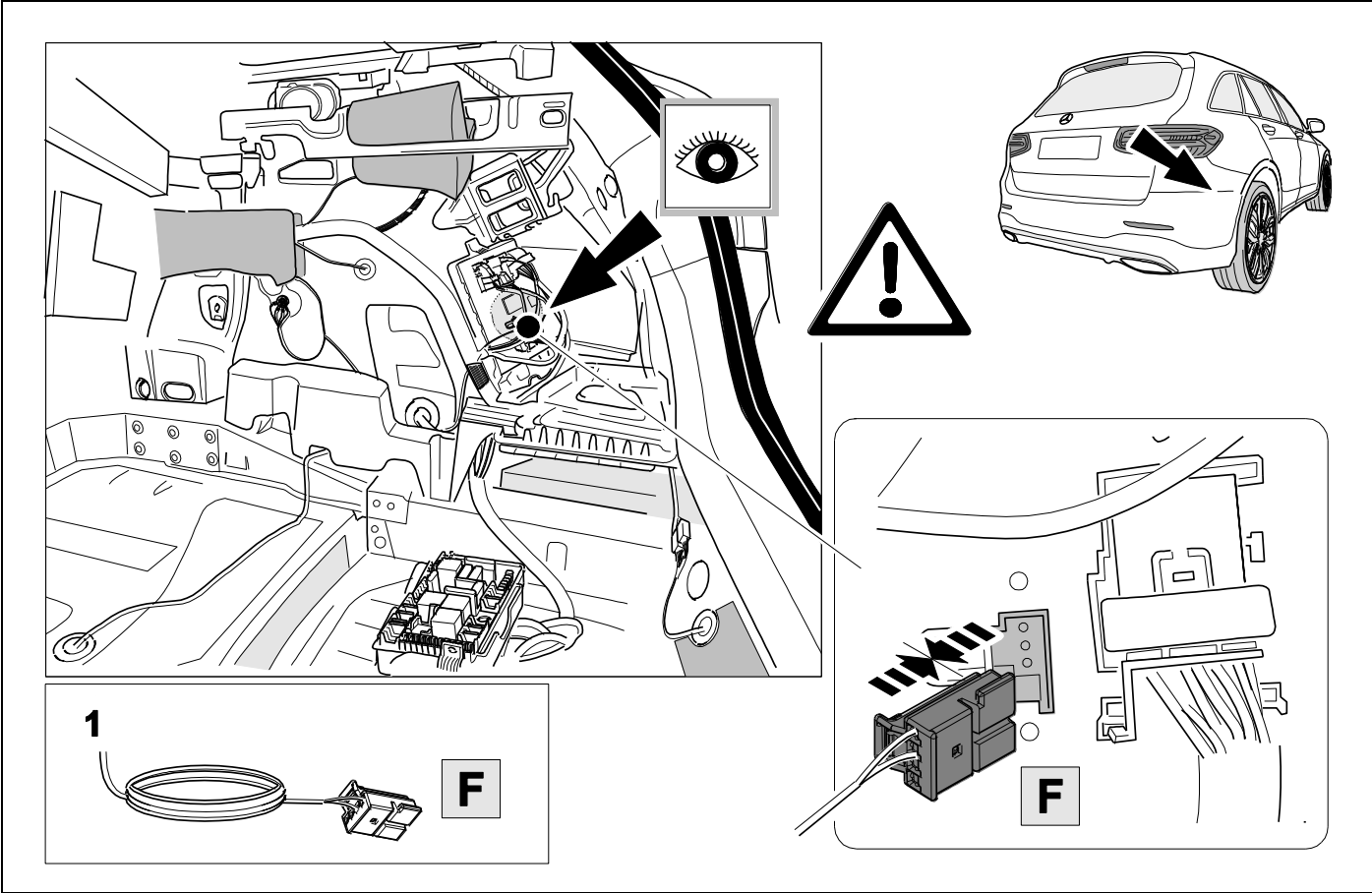
8	bk	wh	gy	gn	rd	bu	ye	bn	pu	or	no
	black	white	grey	green	red	blue	yellow	brown	purple	orange	not occupied

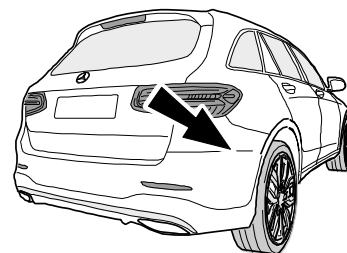
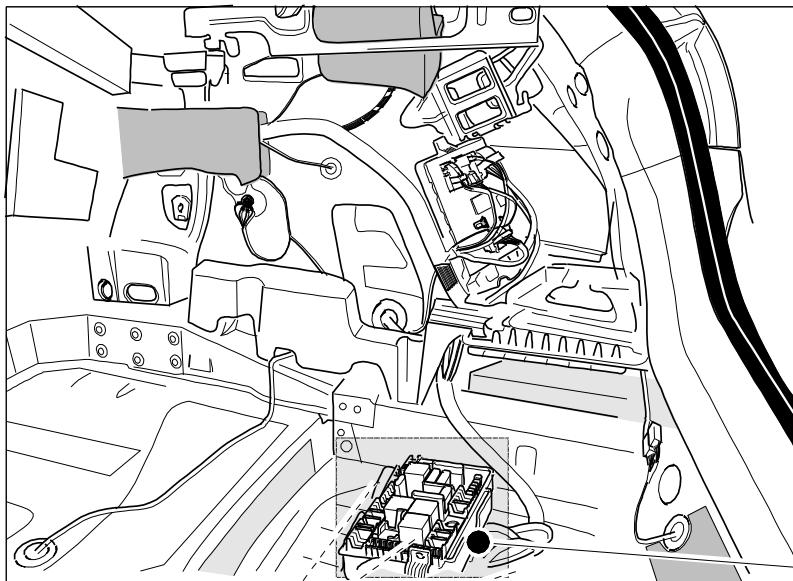
9



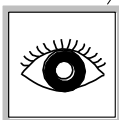
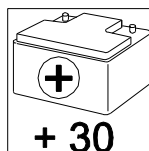
10



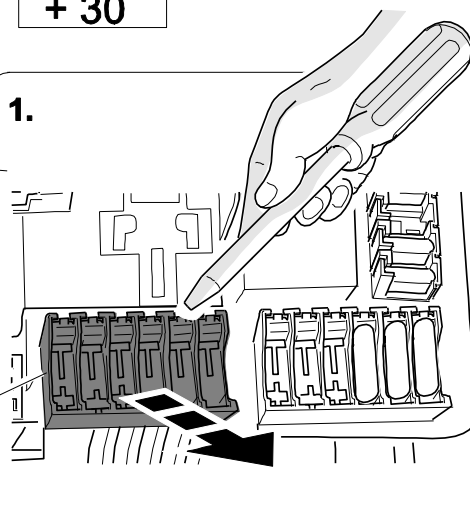




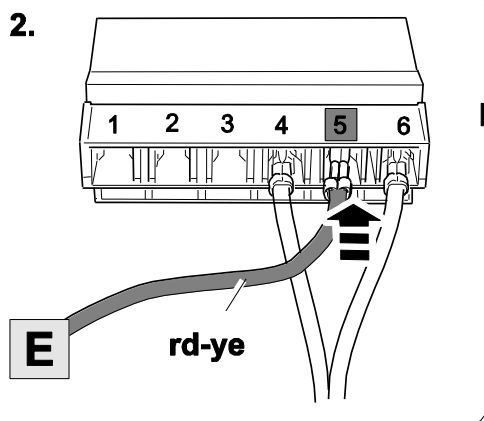
Hot all times!



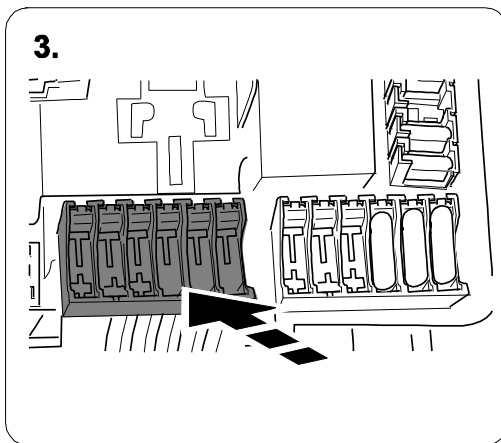
1.



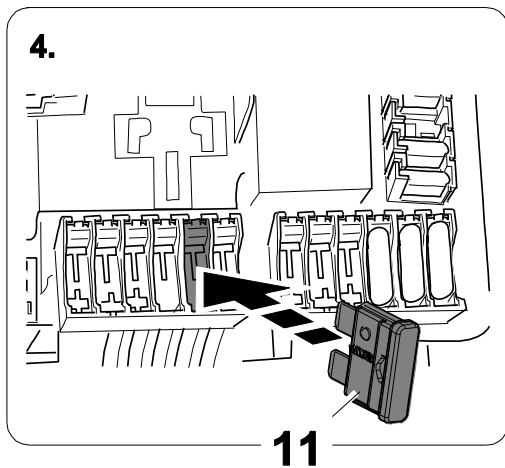
2.



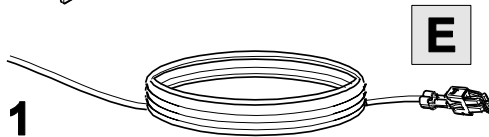
3.



4.

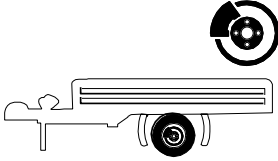


11 20A

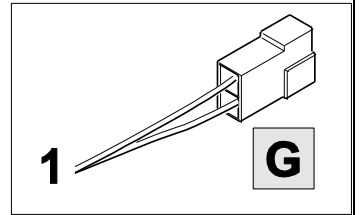




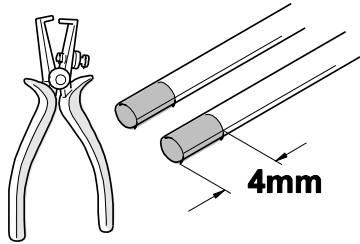
**BRAKE
CONTROLLER
PREPARED**



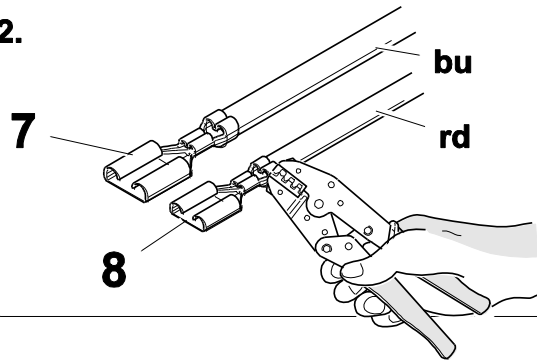
Trailer Brake Preparation



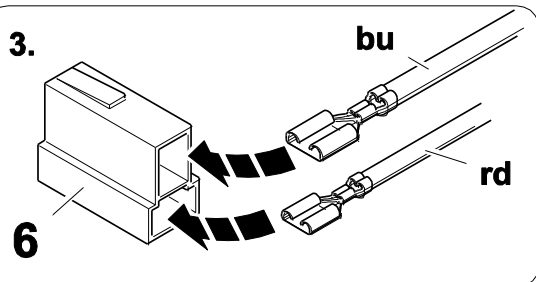
1.



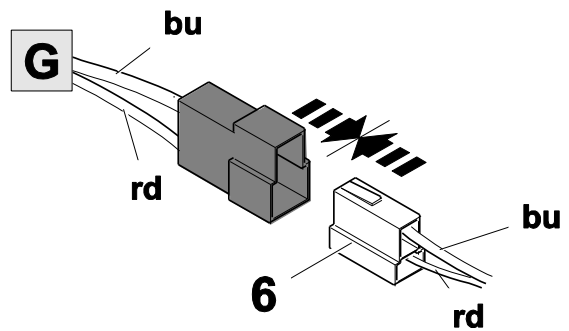
2.



3.



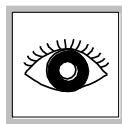
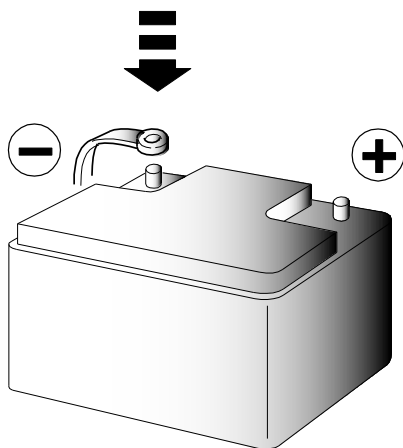
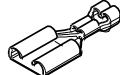
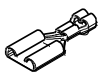
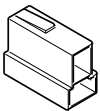
4.



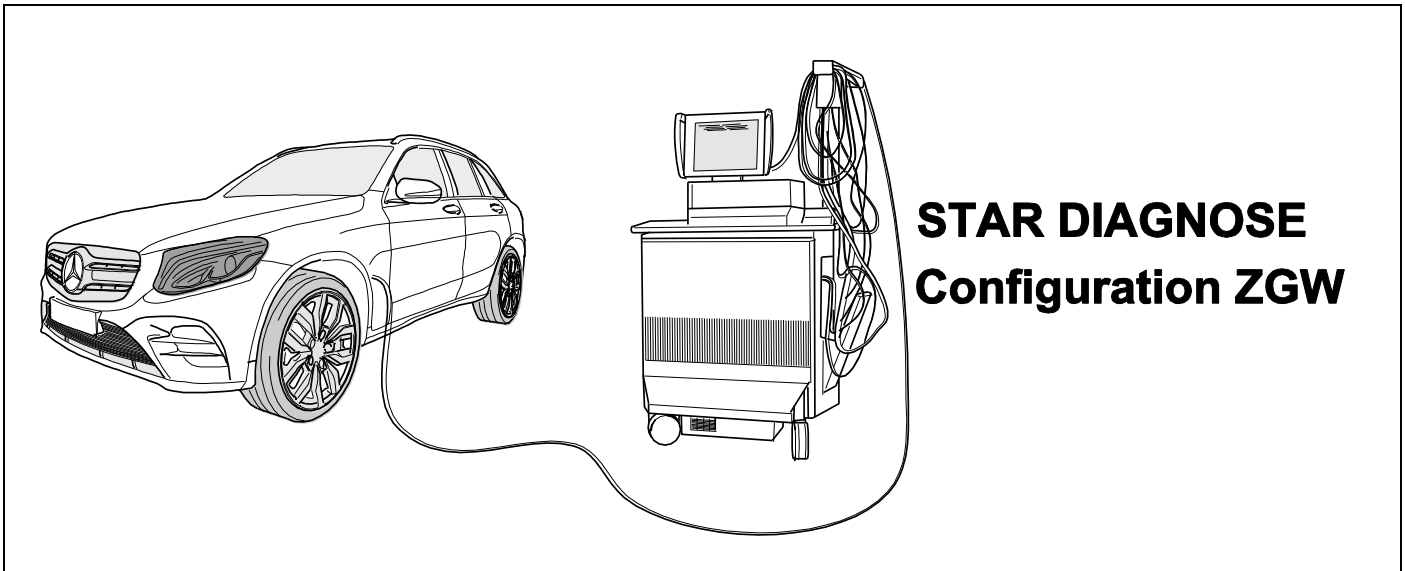
6

7

8

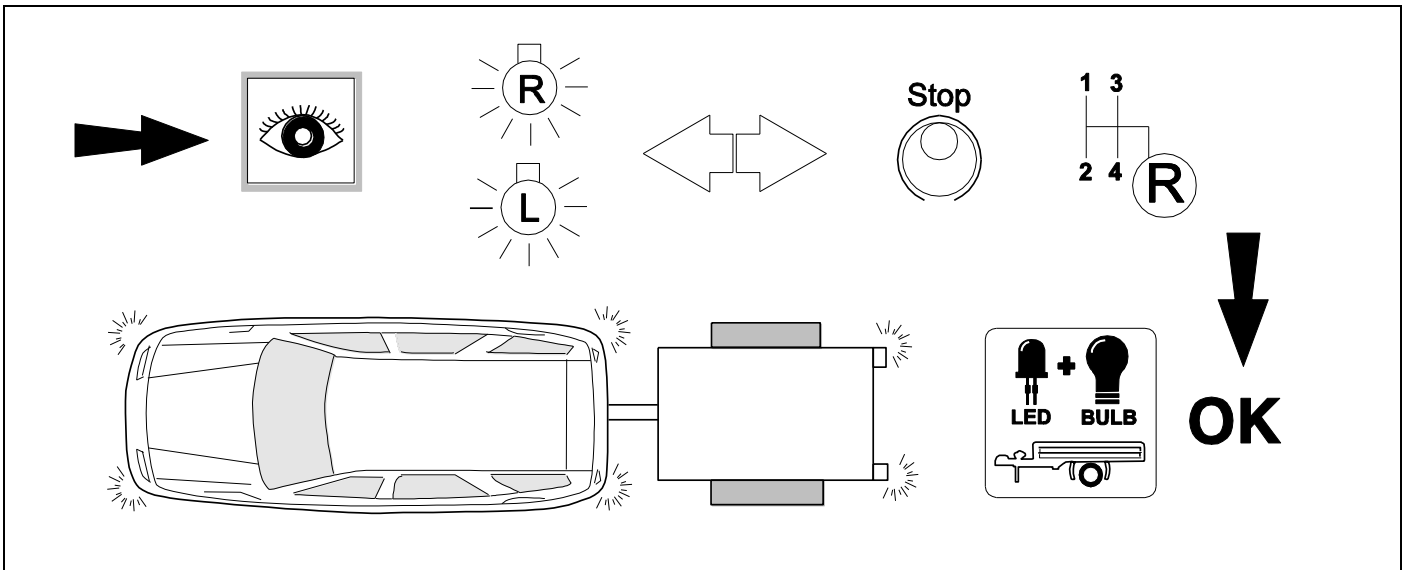


15



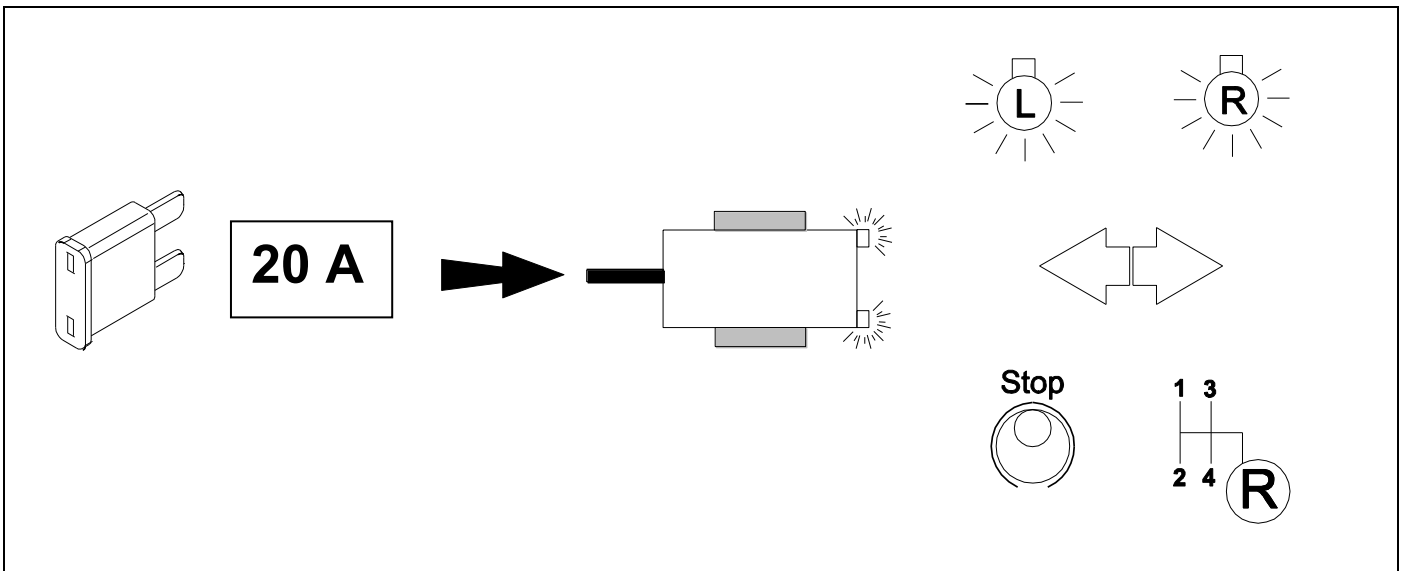
16

CHECK ALL LIGHTING FUNCTIONS



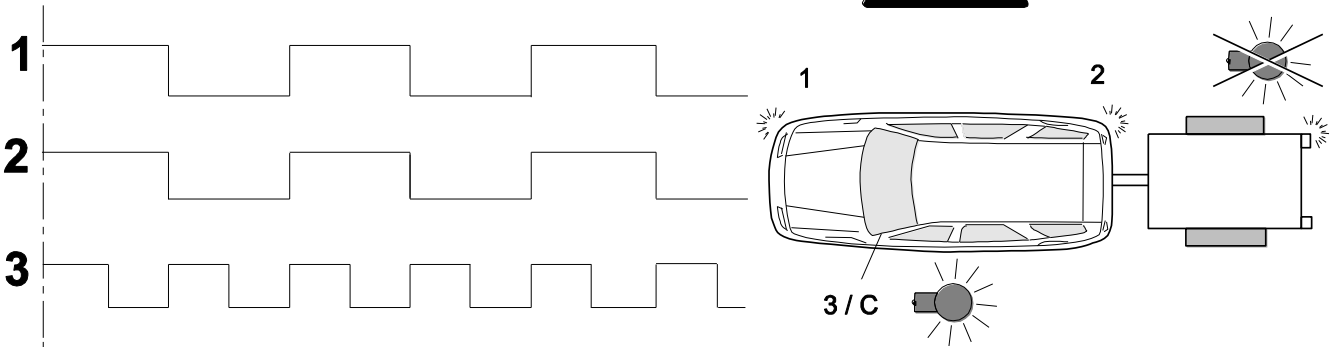
17

👁️ ⇒ 12

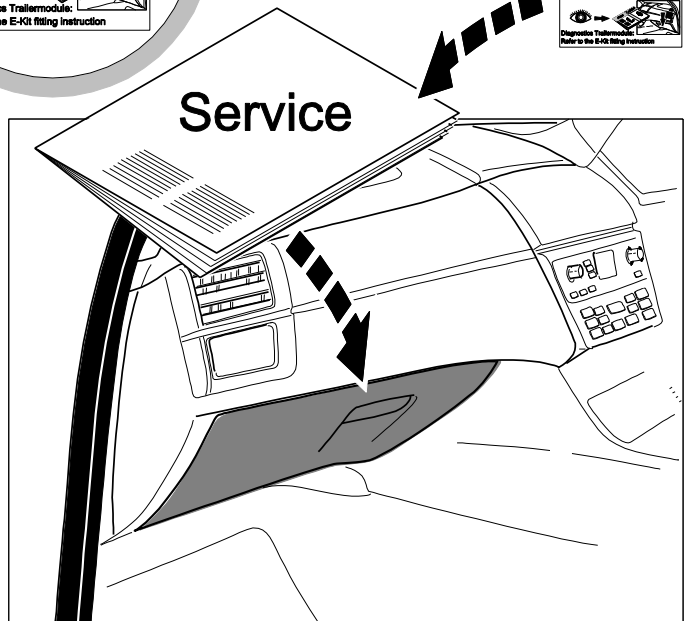
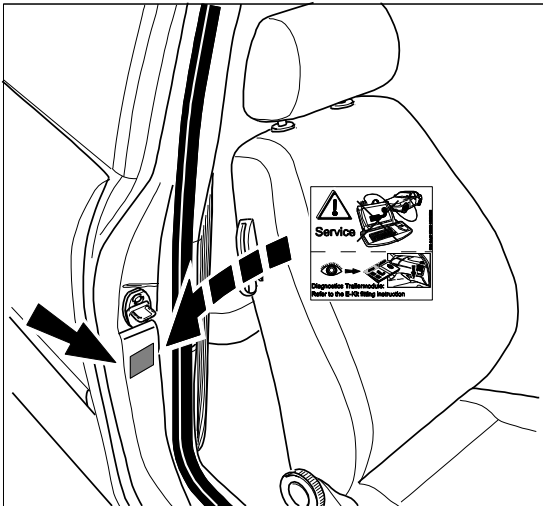
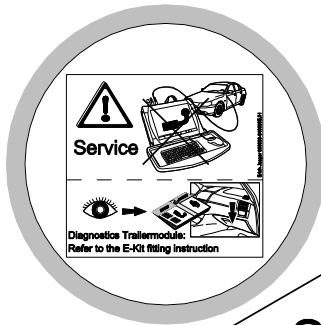


CHECK BULB OUT DETECTION

BULB OUT CONDITION INDICATED WITH INCREASED INDICATOR FREQUENCY

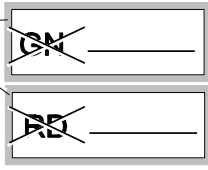
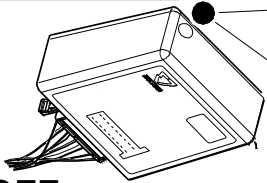
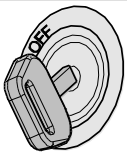


2x 12



Status LED for self-diagnosis

Operation Support



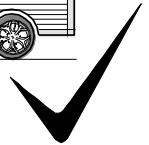
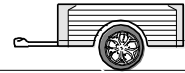
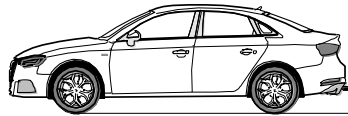
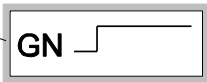
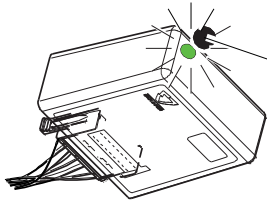
No CAN-Data =



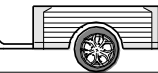
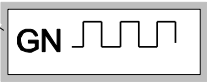
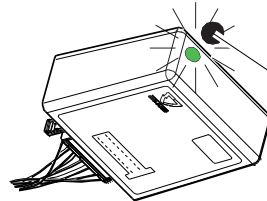
Standby / Sleepmode



Ignition OFF



Ignition ON



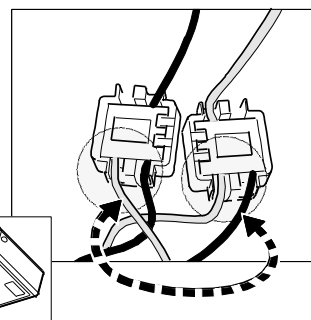
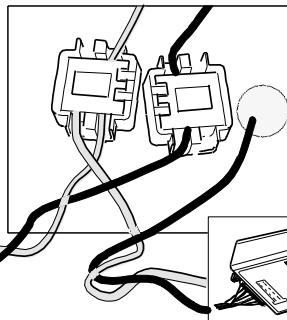
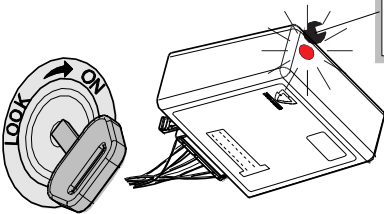
Ignition ON

Failure Support

CAN-Data Wire

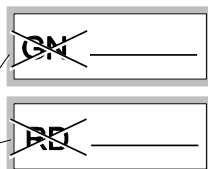
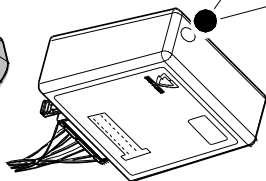
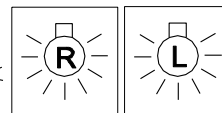


1x max. 5 min.

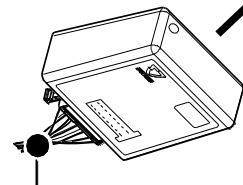
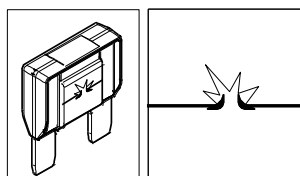
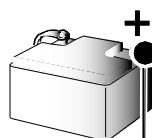
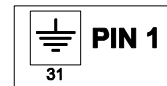


Ignition ON

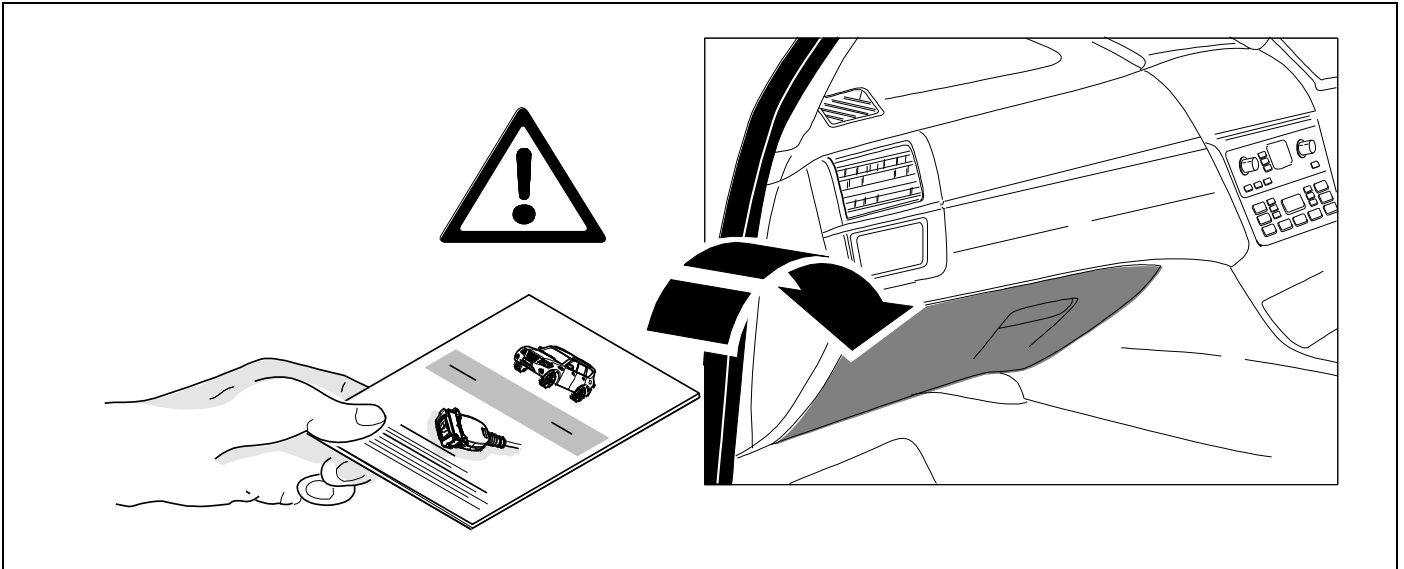
Failure indicated by the module LED glowing red for a maximum of 5 minutes. If trailer connected the tail lights will also glow indicating failure of CAN signal.



or



Ignition ON



Subject to change in terms of construction, equipment and colour, and may contain errors.
The information and illustrations are non-binding.