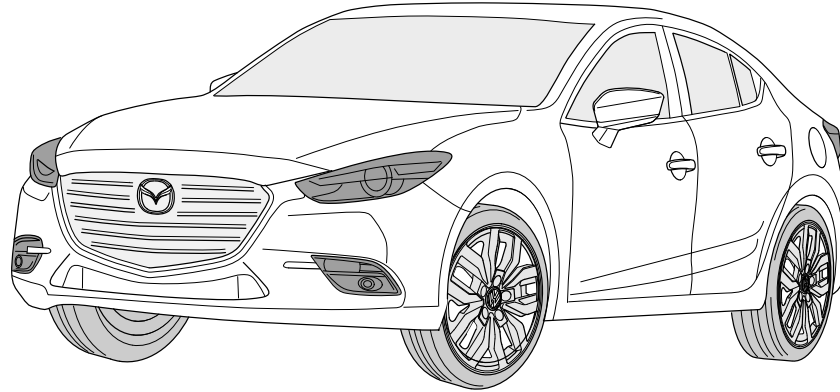




ERICH JAEGER

Installation instructions



750080EJ

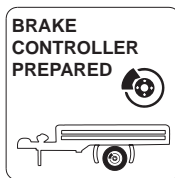
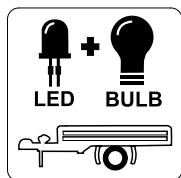
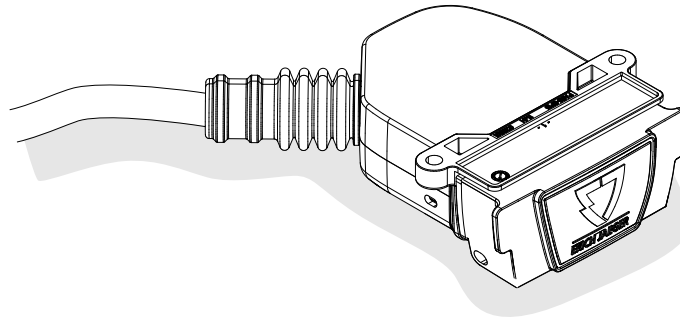
MAZDA

3 Sedan

04/19-11/21



SCAN FOR
LATEST
INSTRUCTIONS



Reference:

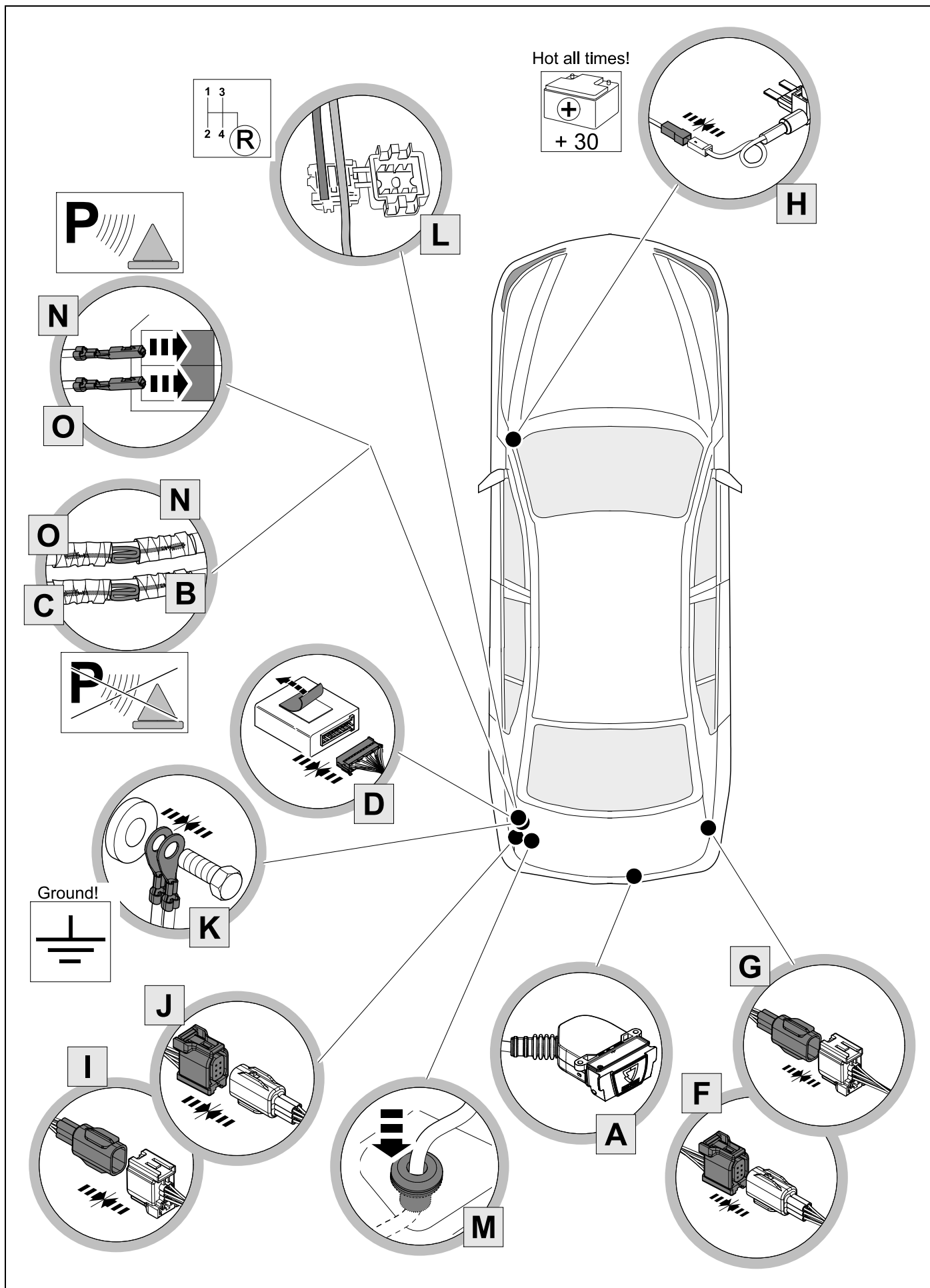
The following information must be reviewed before beginning the assembly:

The installation instructions are to be thoroughly read.

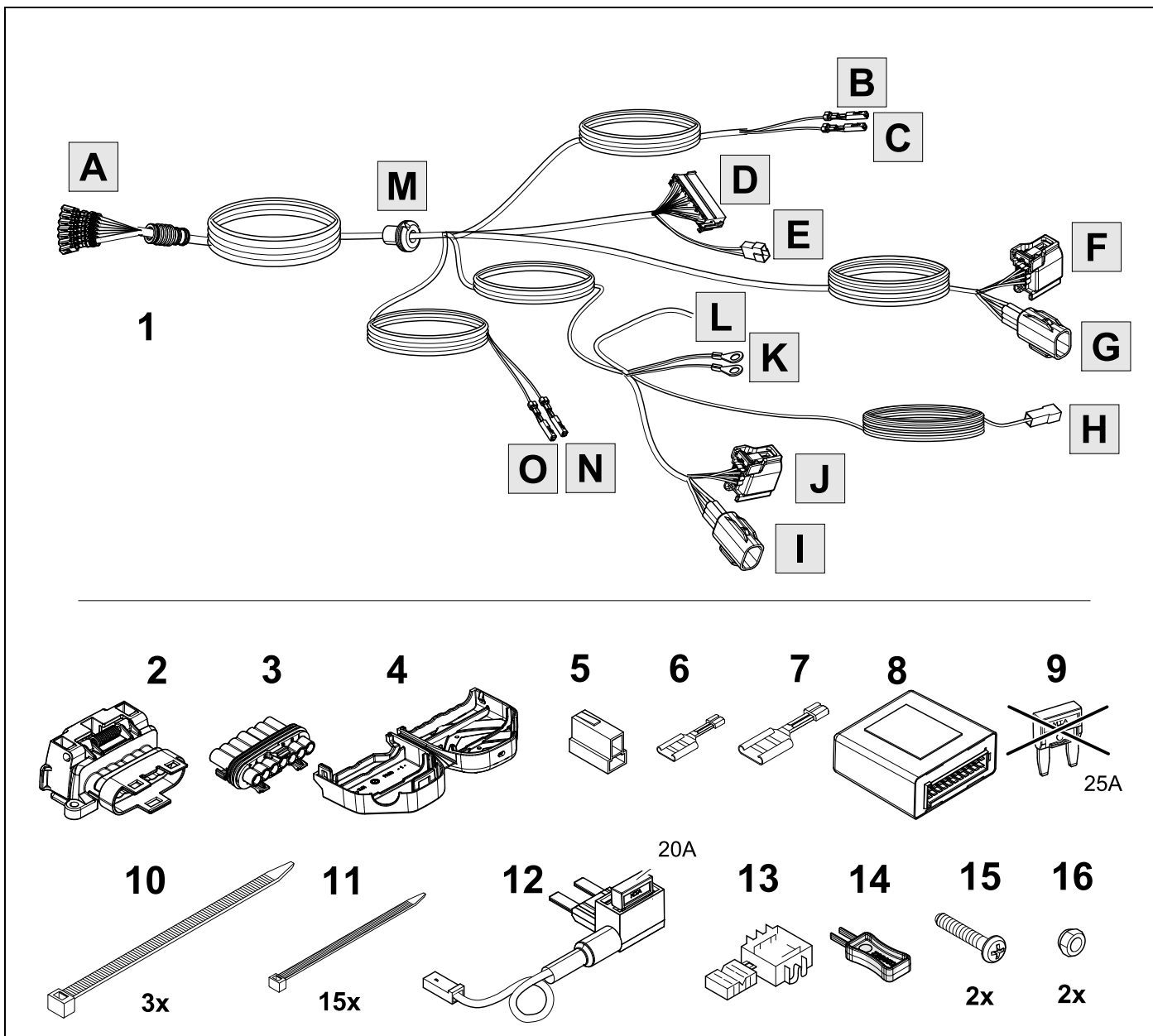
The installation should be carried out by qualified personnel with the relevant technical knowledge. The vehicle manufacturers' current technical notices and information on retrofitting must be followed. The removal and replacement instructions found in the current repair manuals must be followed.

It must be ensured that the vehicle is technically suitable for the installation of a trailer hitch.

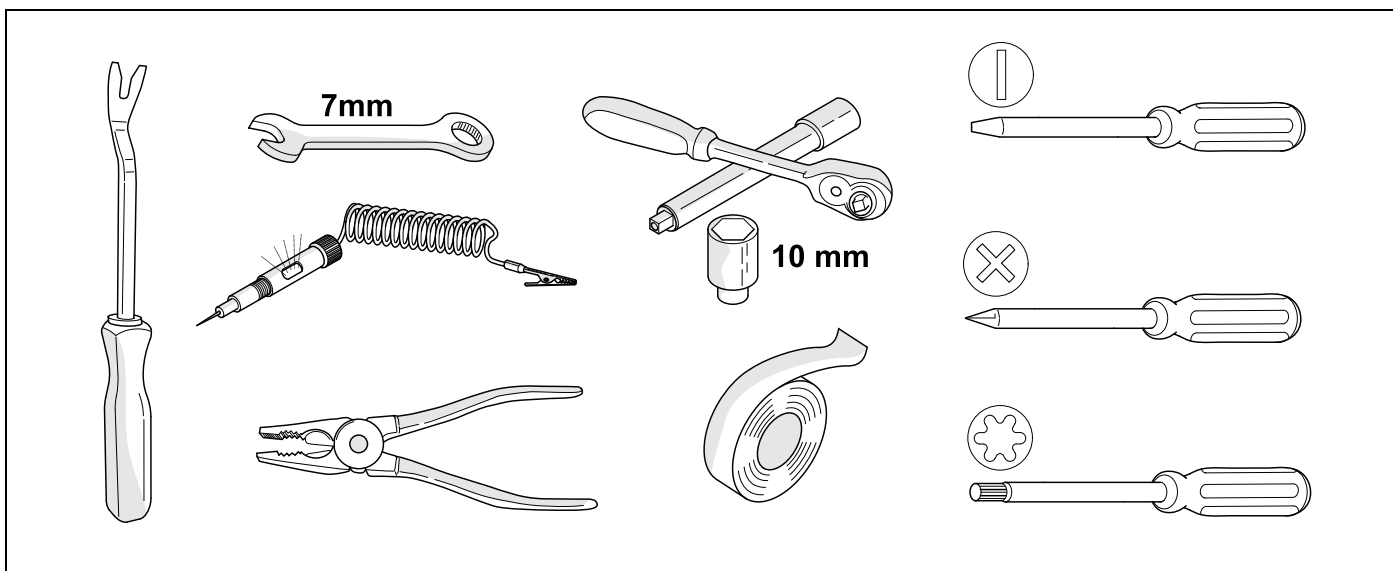
OVERVIEW



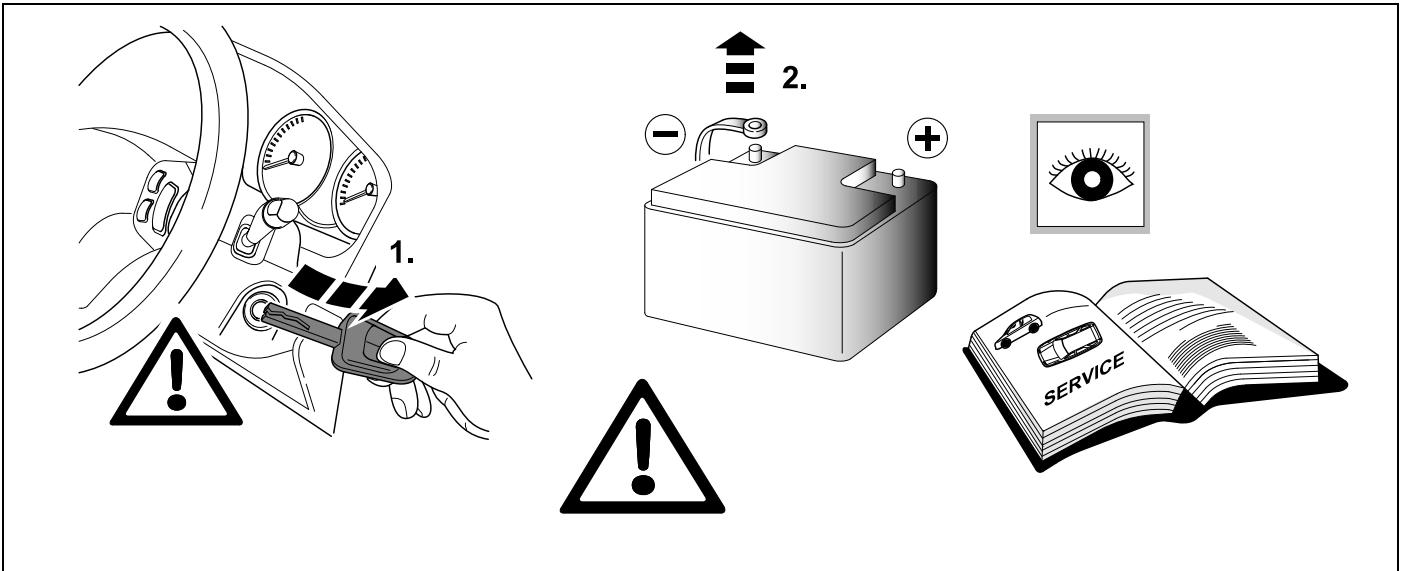
KIT



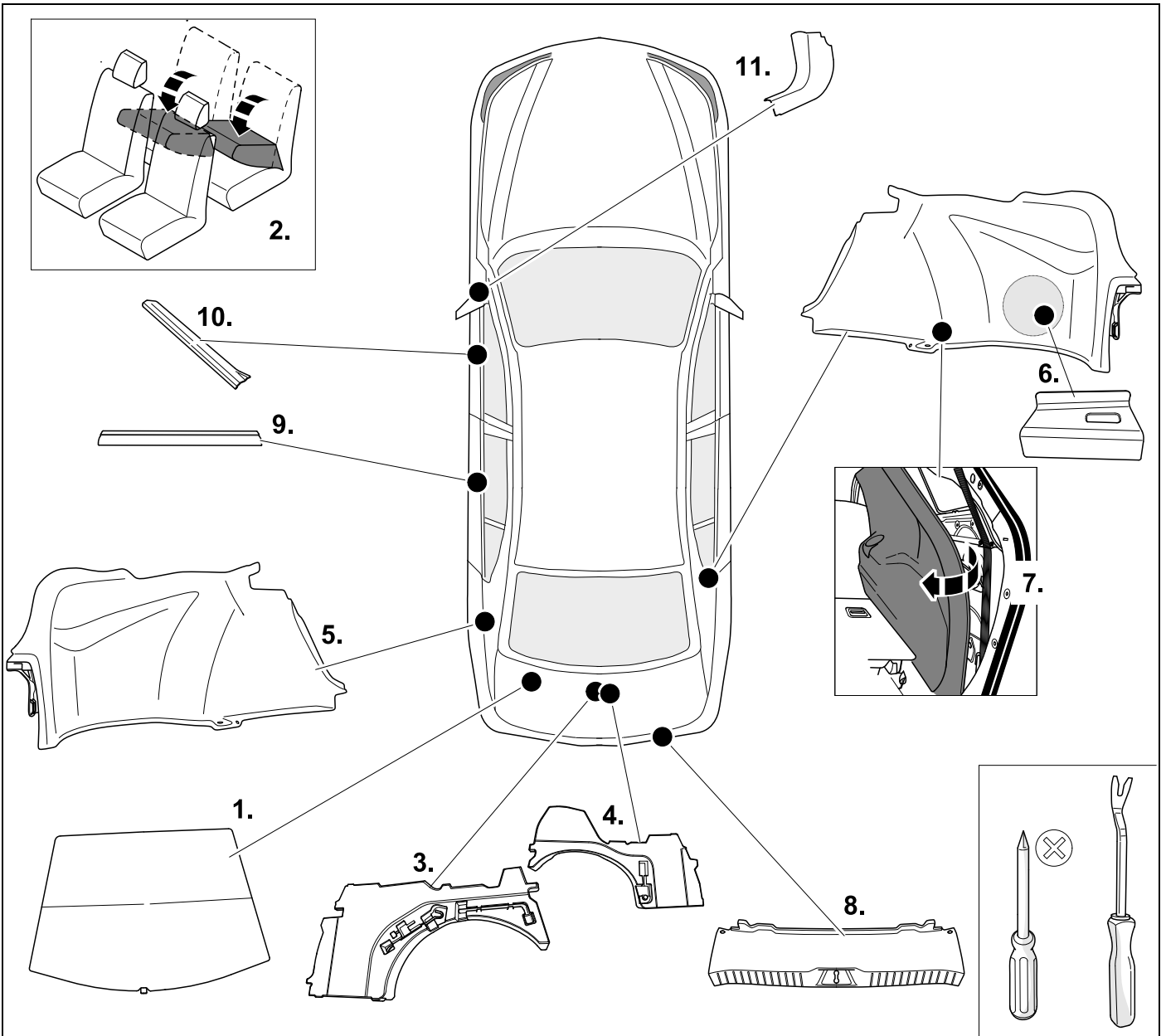
TOOLS



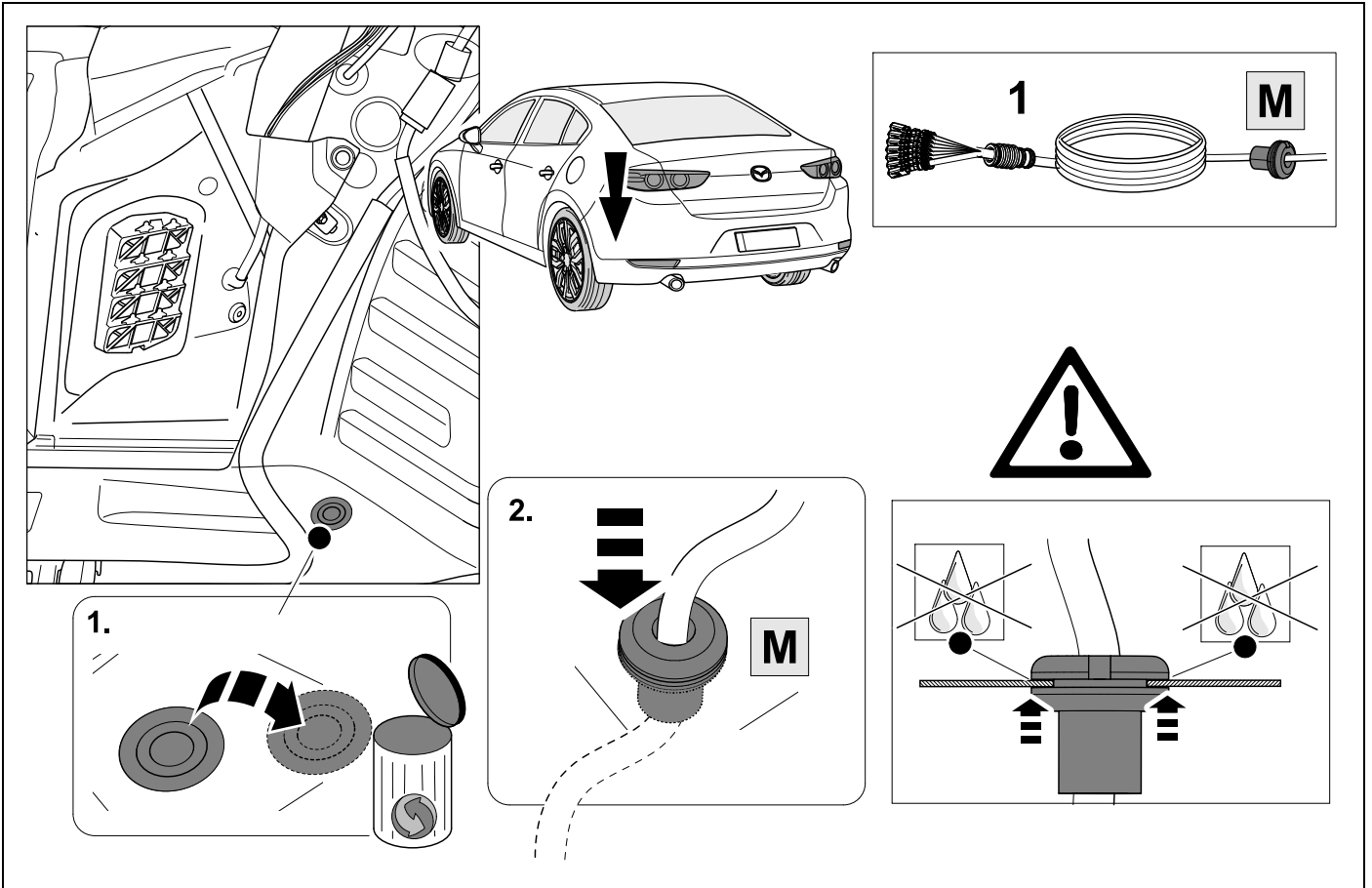
1



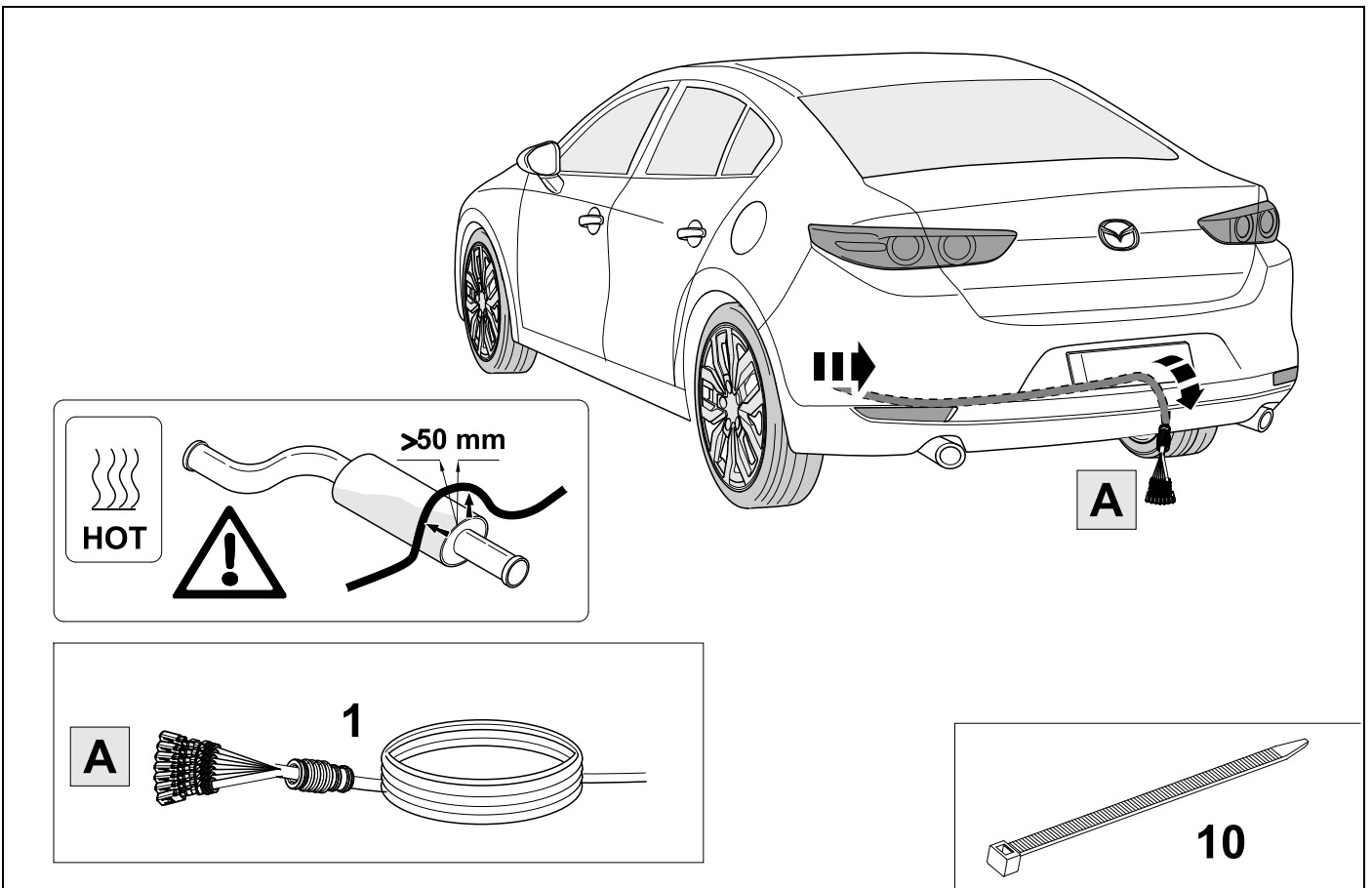
2 REMOVE

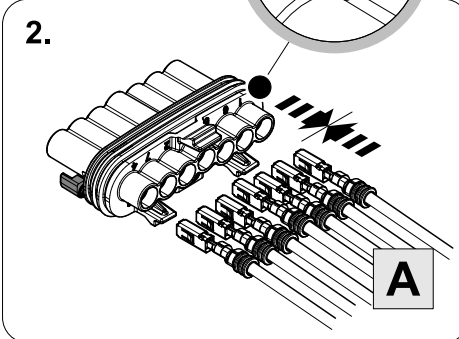
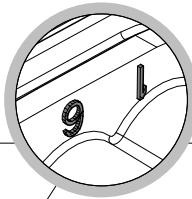
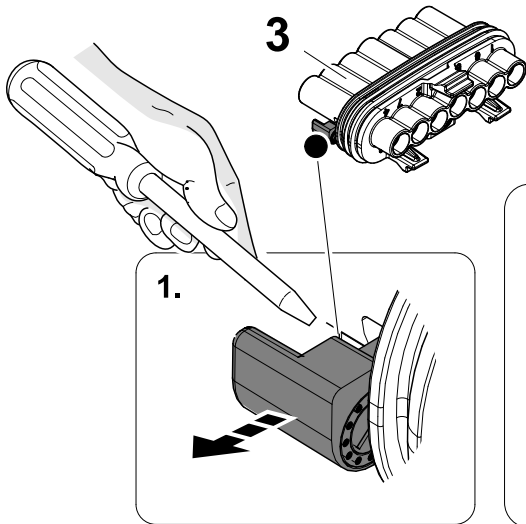


3

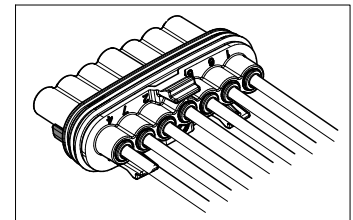
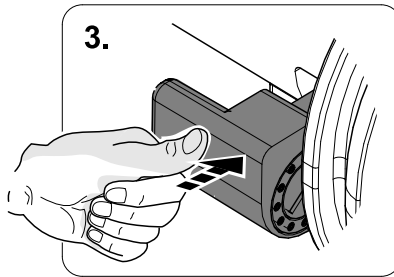
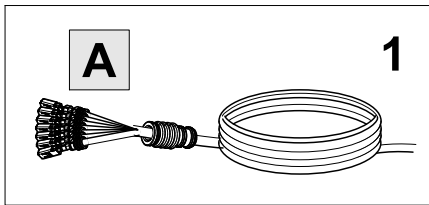


4

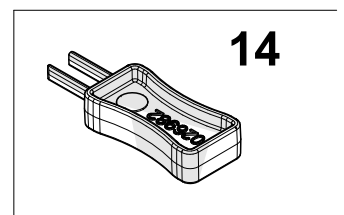
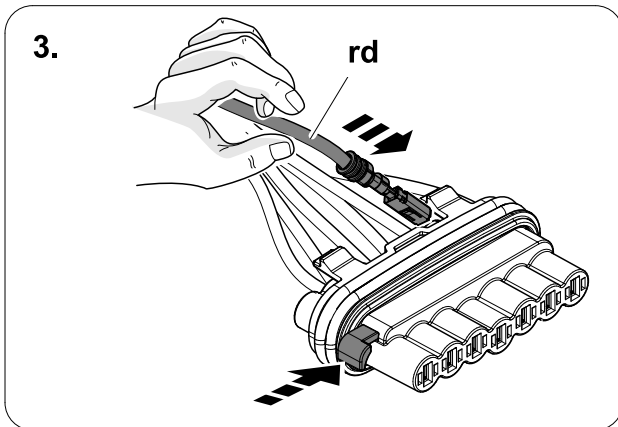
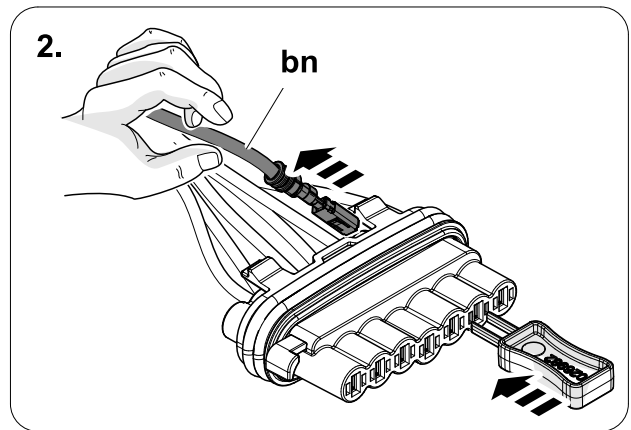
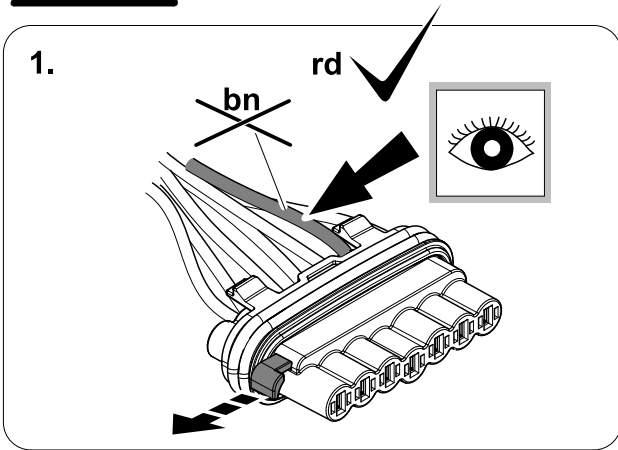




ye	1	
rd	6	
bu	5	
wh	3	
bk	2	
bn	7	
gn	4	



In case of wrong pin insert:



6



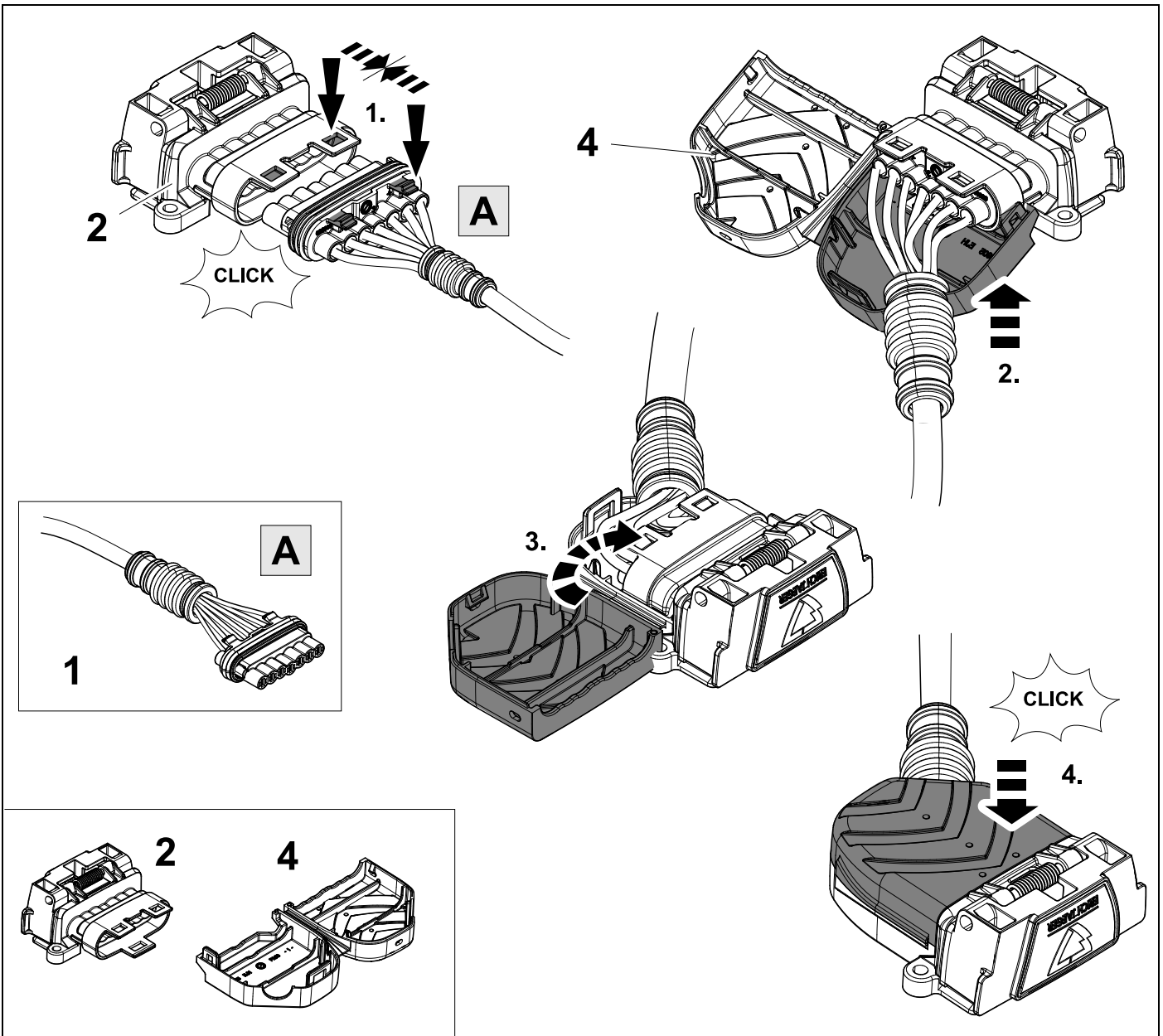
8

1	ye	
2	bk	
3	wh	
4	gn	
5	bu	
6	rd	
7	bn	

7



6

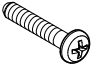



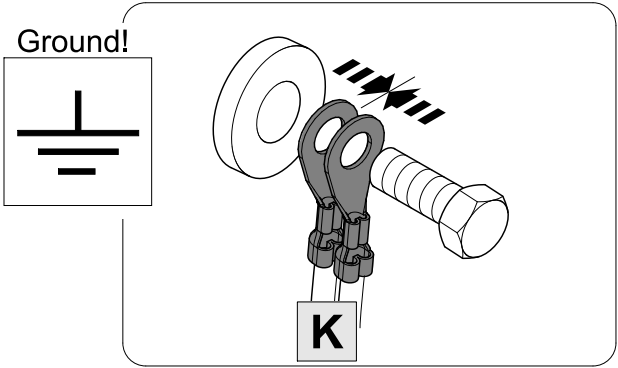
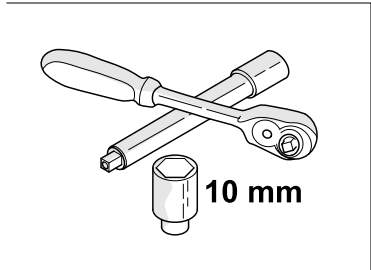
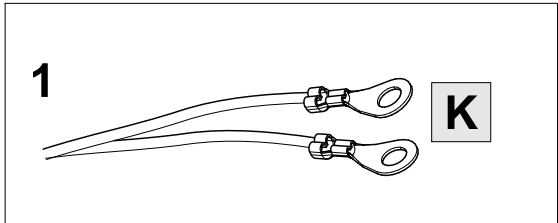
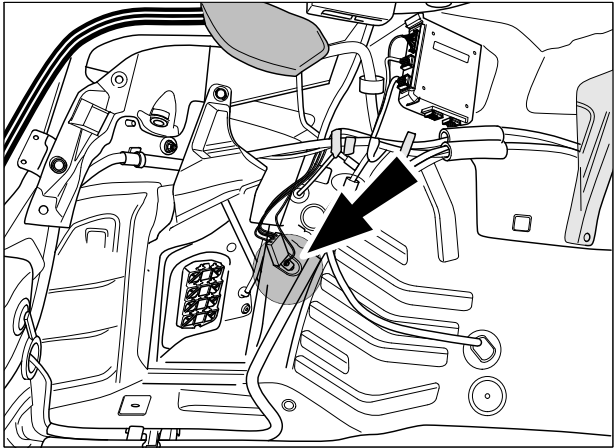
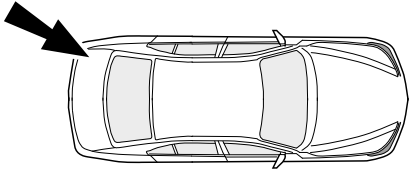
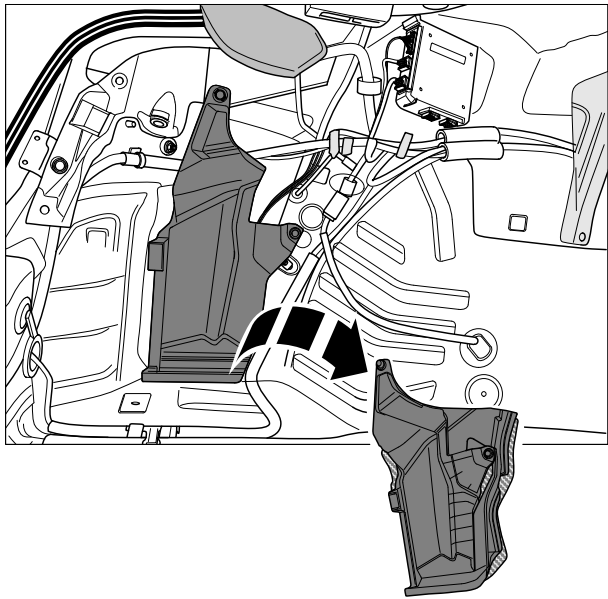
8	bk	wh	gy	gn	rd	bu	ye	bn	pu	or	no
----------	-----------	-----------	-----------	-----------	-----------	-----------	-----------	-----------	-----------	-----------	-----------

GB	black	white	grey	green	red	blue	yellow	brown	purple	orange	not occupied
-----------	-------	-------	------	-------	-----	------	--------	-------	--------	--------	--------------

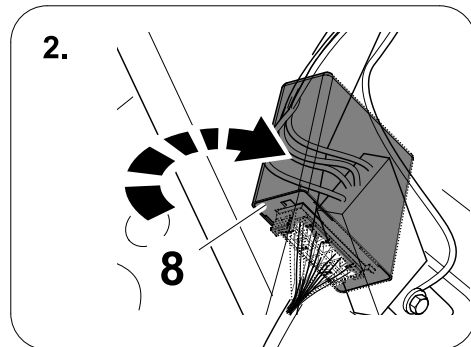
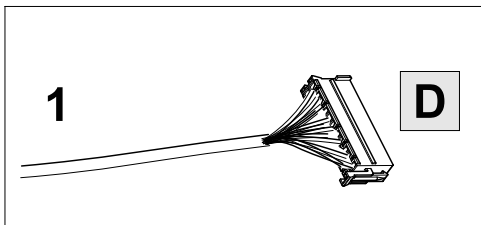
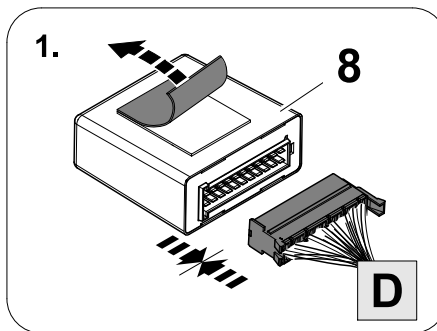
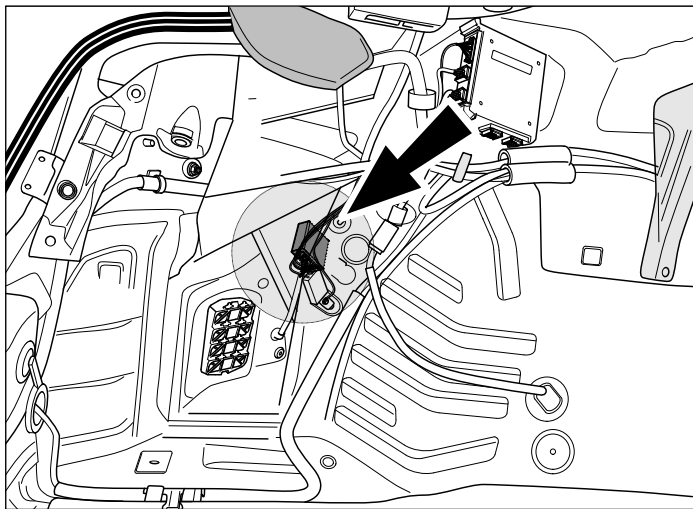
9

The diagram illustrates the installation of a rear view camera. Part 16 is the camera unit, and part 15 are screws. The camera is mounted to the rear of the car. Part 1 is a cable, and part 11 is a bracket. The diagram shows the camera being connected to the car's wiring and secured with a bracket.

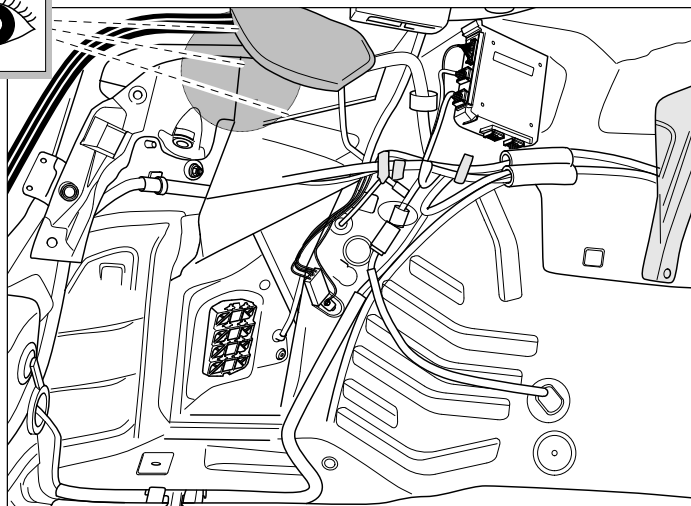
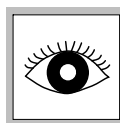
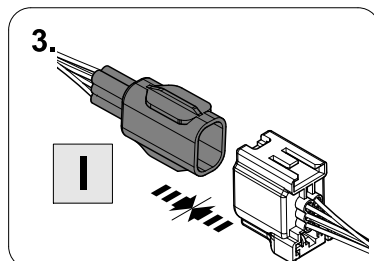
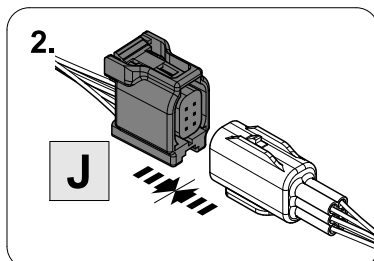
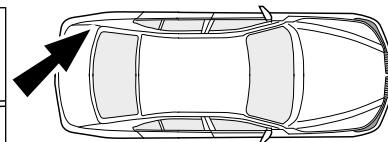
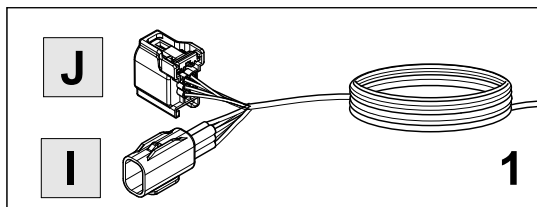
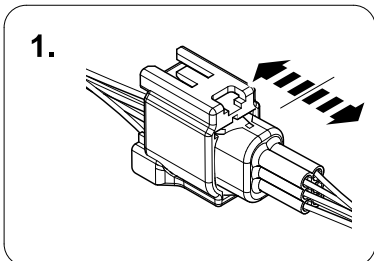
15	16
	
2x	2x



11



12



13



8

bu-ye **L**

- 1.
- 2.
- 3.

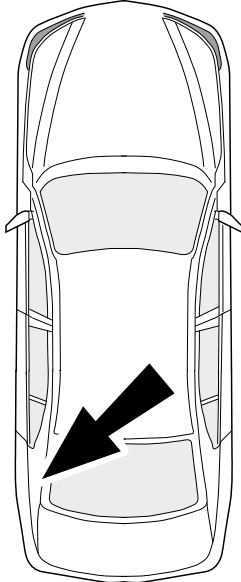
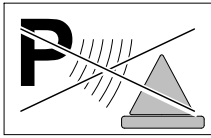
13

1

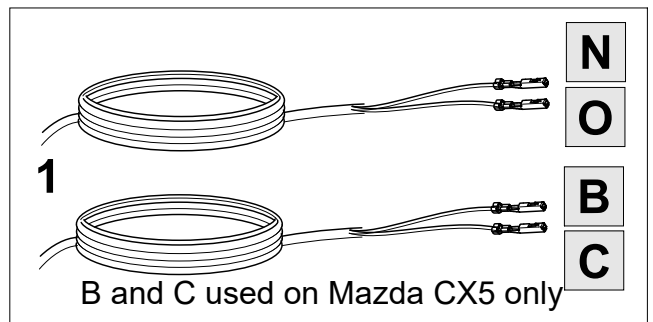
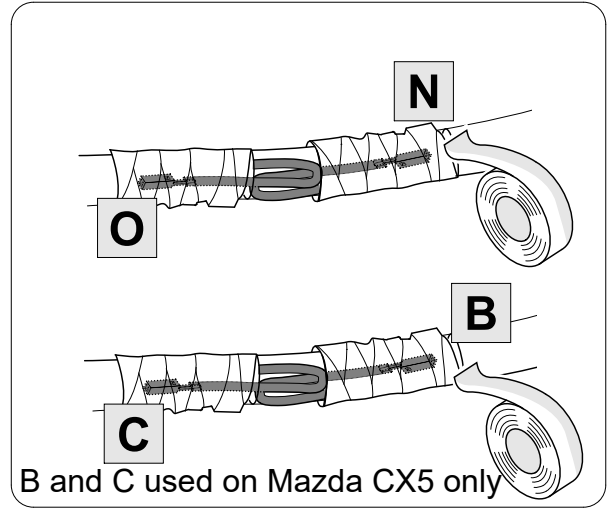
14

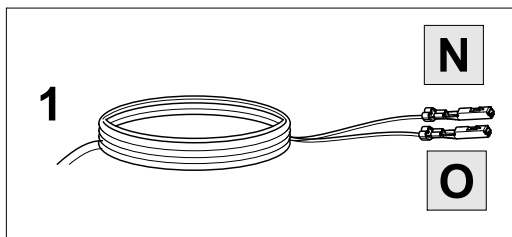
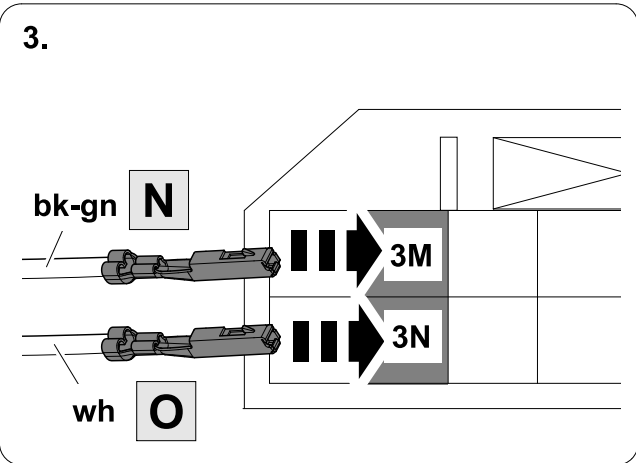
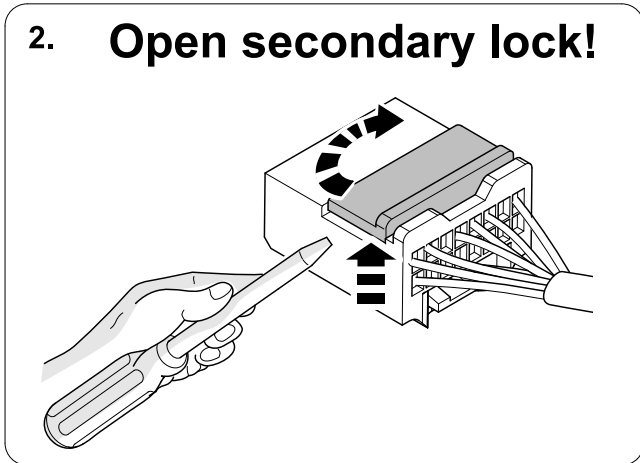
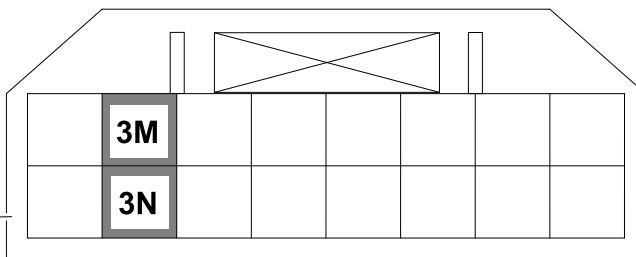
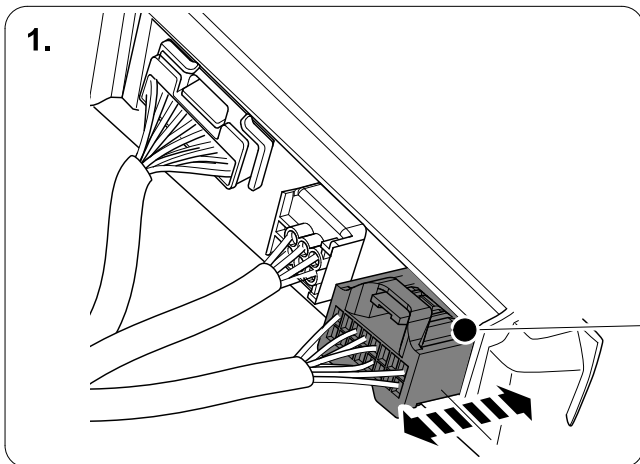
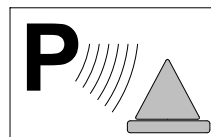
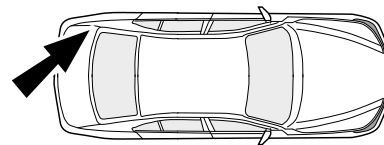
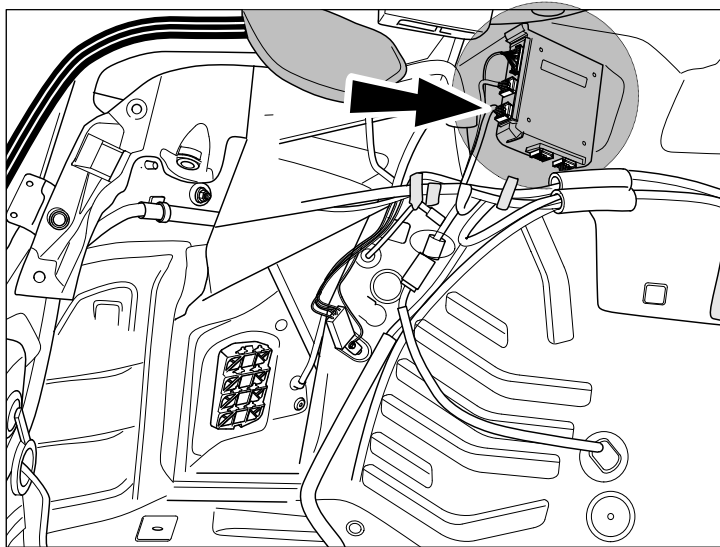
~~P~~ **15 + 18 => 27**

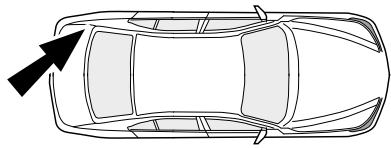
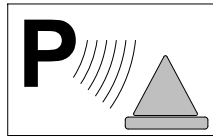
P **16 => 27**



- N** bk-gn
- O** wh
- B** bk-bu
- C** wh







1. **Close secondary lock!**

A hand is shown pressing down on a secondary lock mechanism on a connector. Dashed arrows indicate the downward movement of the lock.

2.

A detailed diagram showing a connector being inserted into a vehicle's interior panel. A hand is shown holding the connector, and another hand is shown holding the panel open.

3. B and C used on Mazda CX5 only
Tape it back.

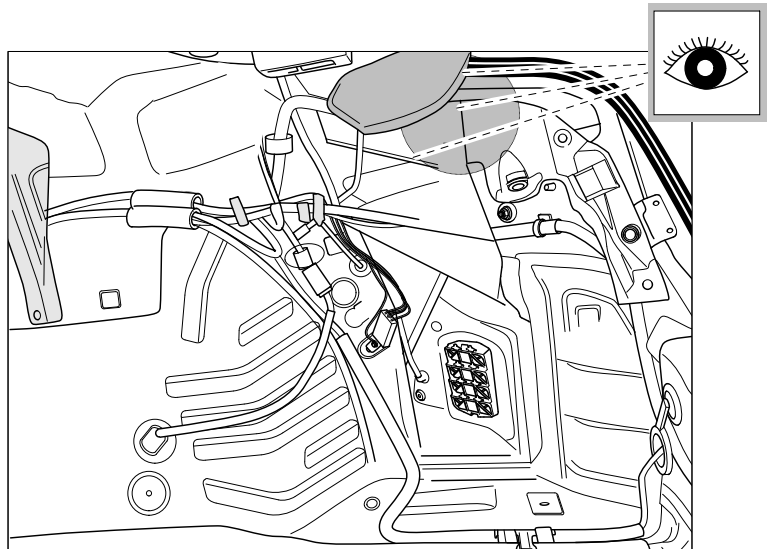
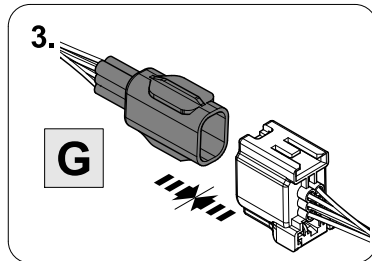
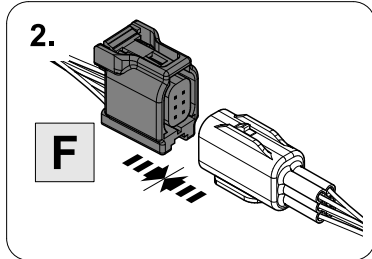
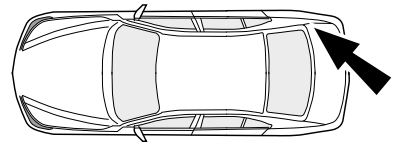
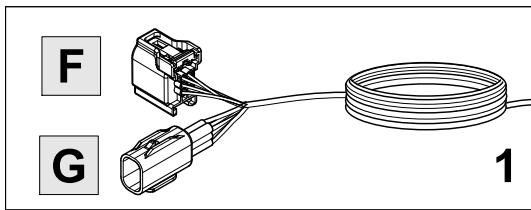
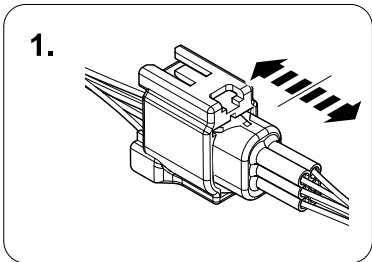
A diagram showing a cable with a section of tape being applied to it. The tape is labeled 'B' and 'C'. A roll of tape is shown to the right.

B bk-bu
C wh

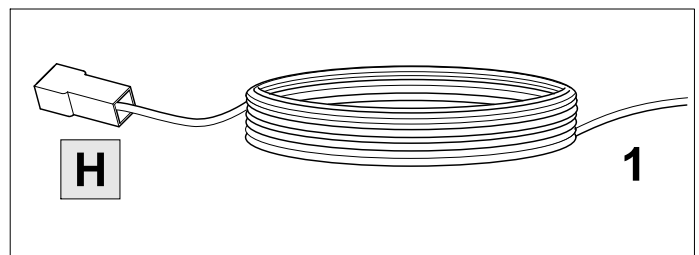
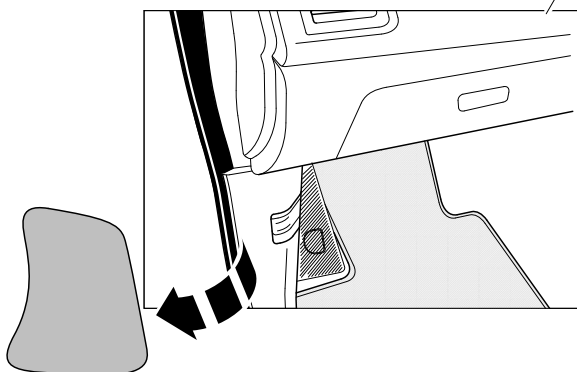
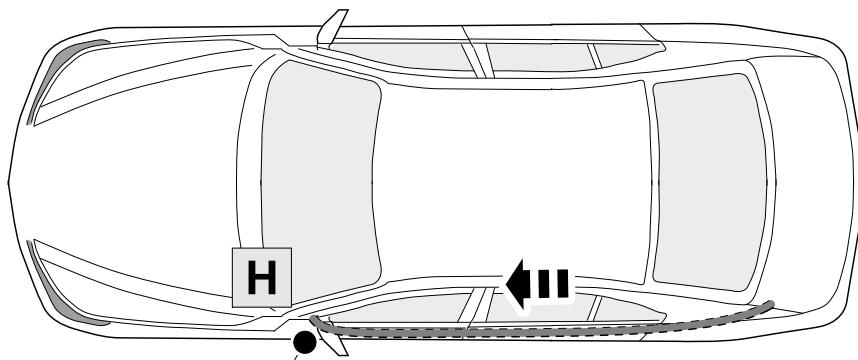
1

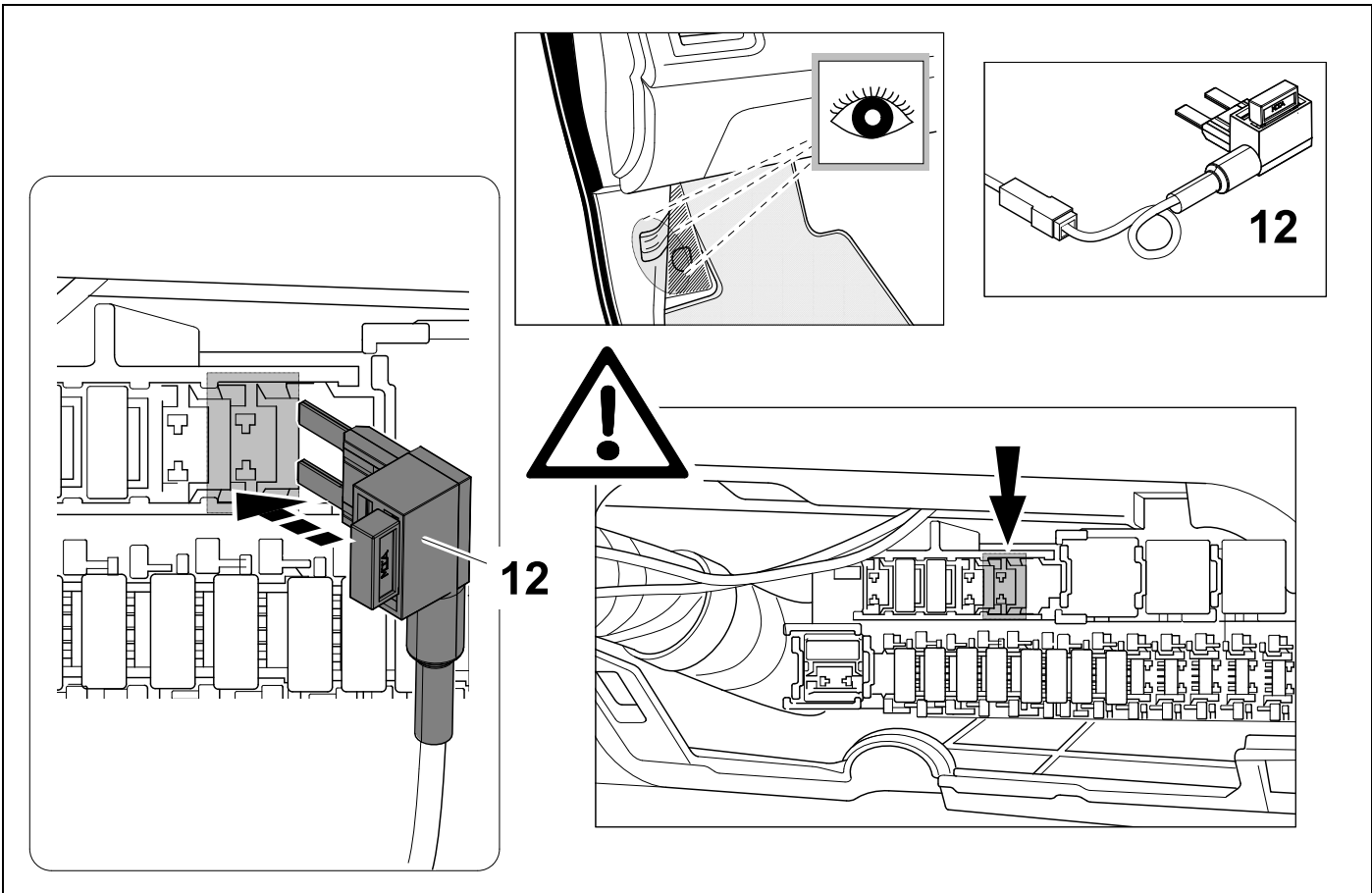
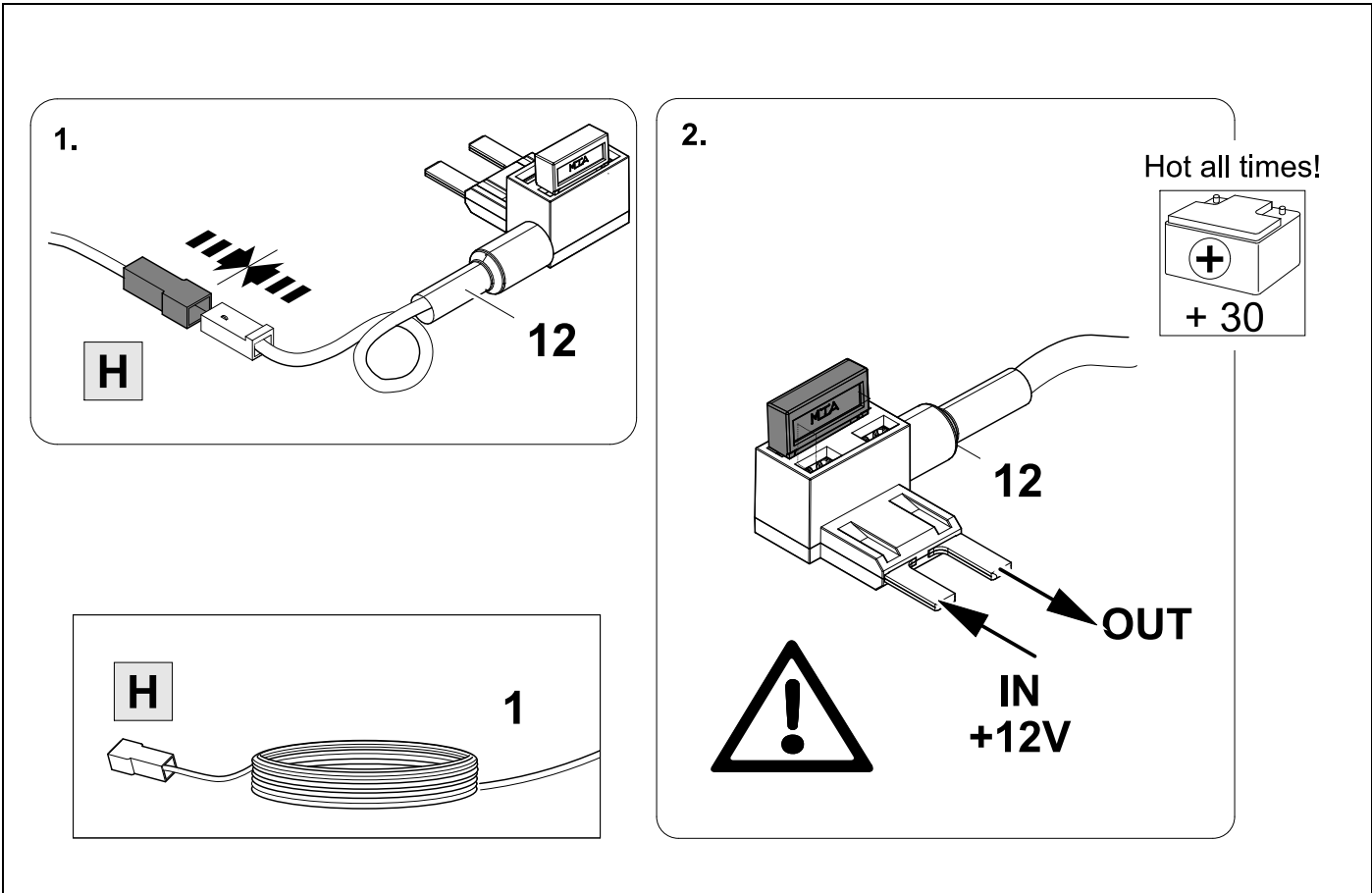
A diagram showing a cable with a coiled section and a straight section. The straight section has two wires, one labeled 'B' and one labeled 'C'.

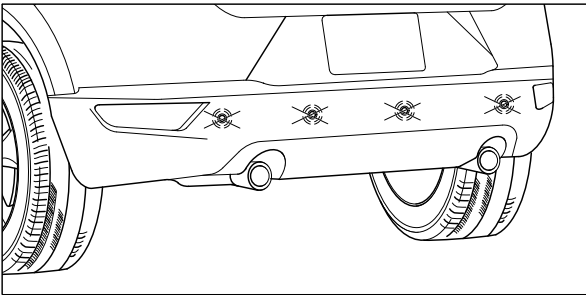
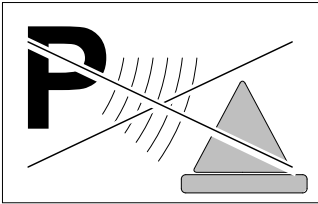
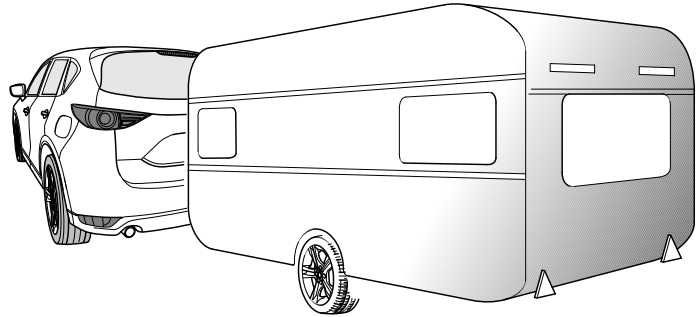
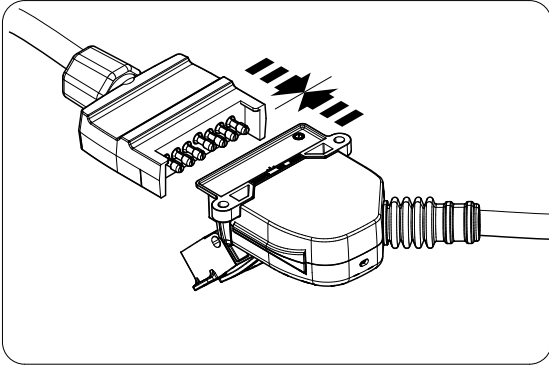
18



19



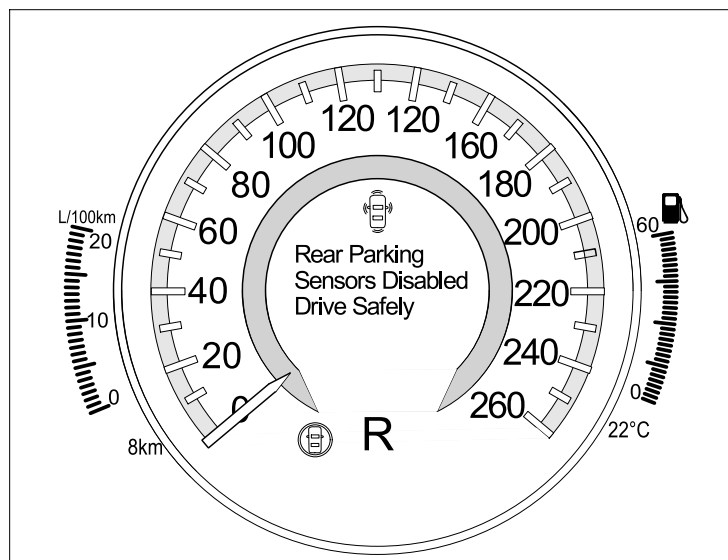




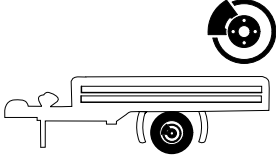
The PDC or SCBS-R system is not active while the parking brake is engaged.



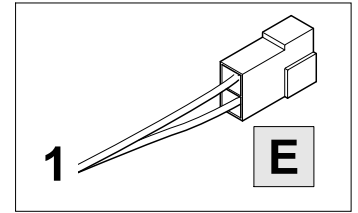
In order to test automatic PDC and SCBS-R deactivation while stationary, plug in a trailer light tester or trailer and ensure the parking brake is disengaged. A deactivation message will be displayed as shown.



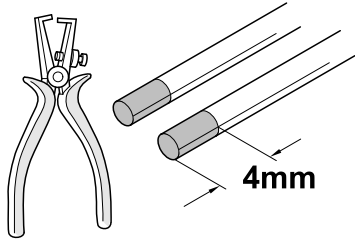
**BRAKE
CONTROLLER
PREPARED**



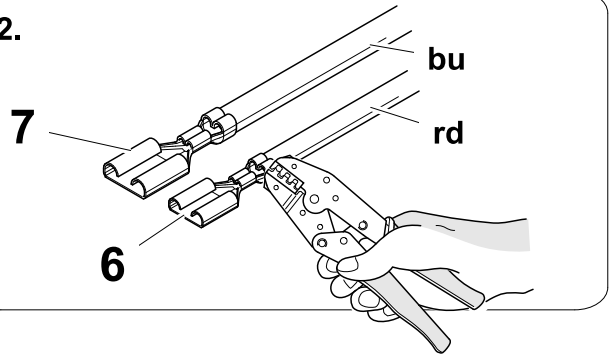
Trailer Brake Preparation



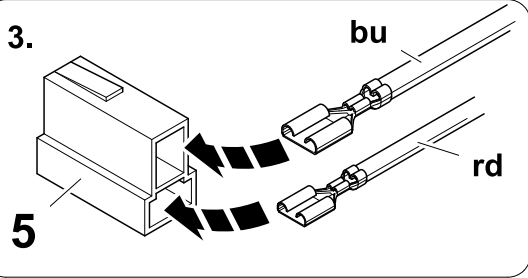
1.



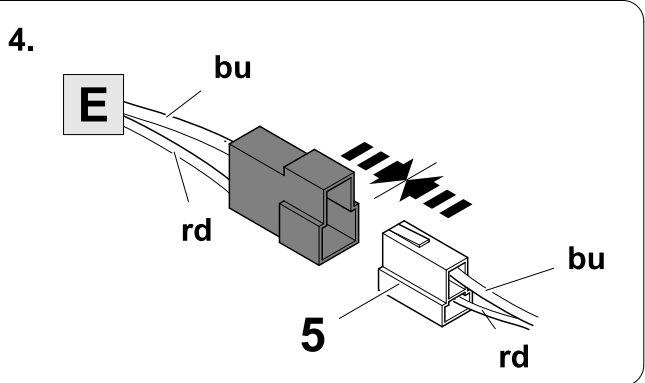
2.



3.



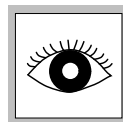
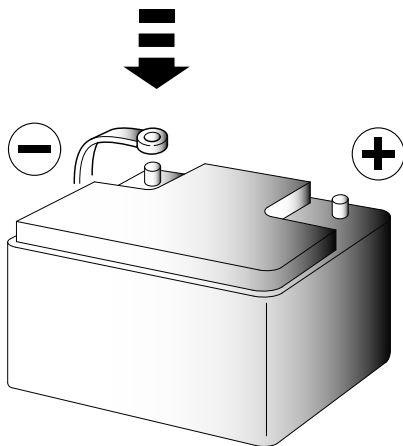
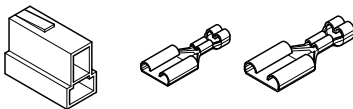
4.



5

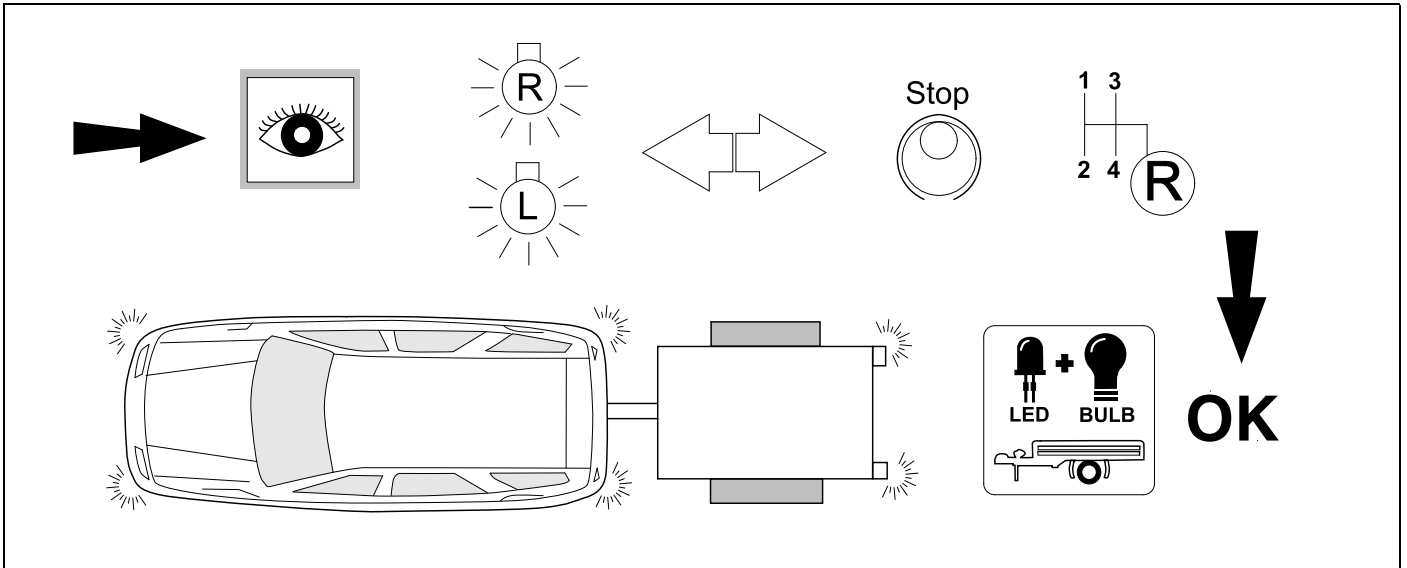
6

7



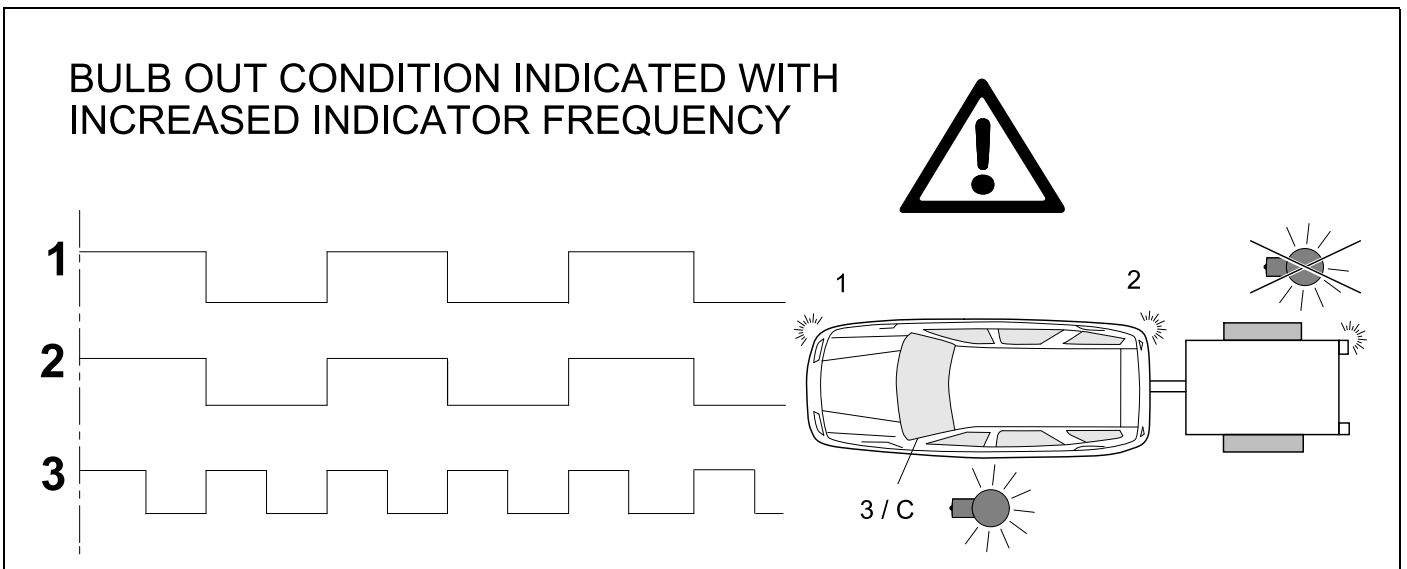
25

CHECK ALL LIGHTING FUNCTIONS



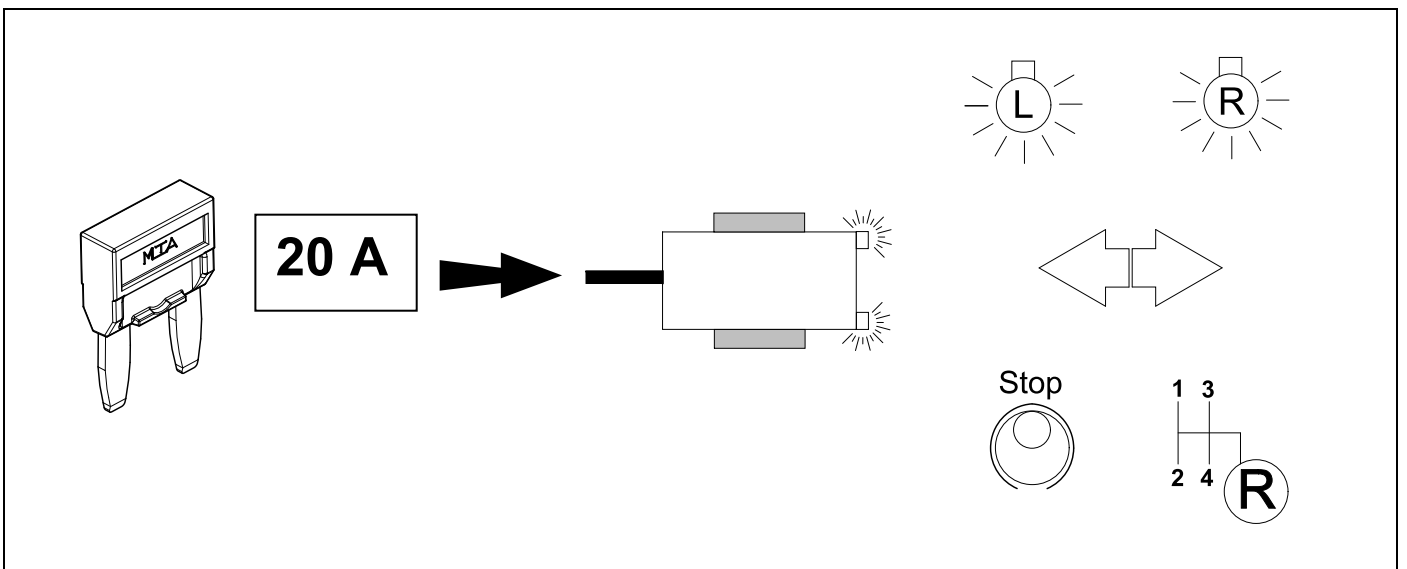
26

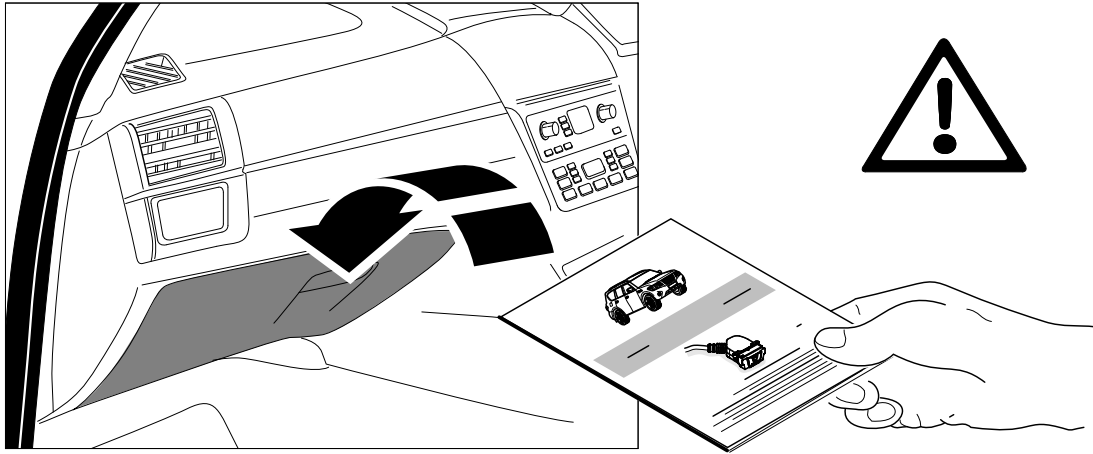
CHECK BULB OUT DETECTION



27

👁️ ⇒ 21





Subject to change in terms of construction, equipment and colour, and may contain errors.
The information and illustrations are non-binding.