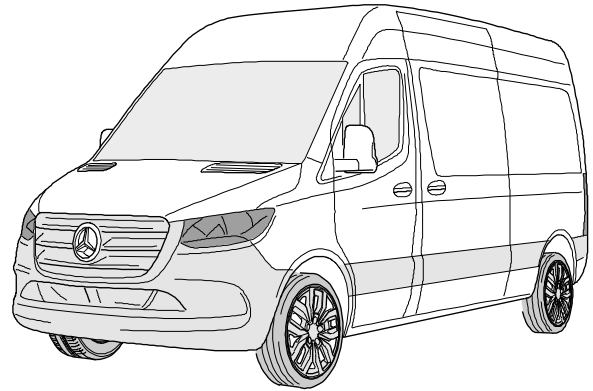
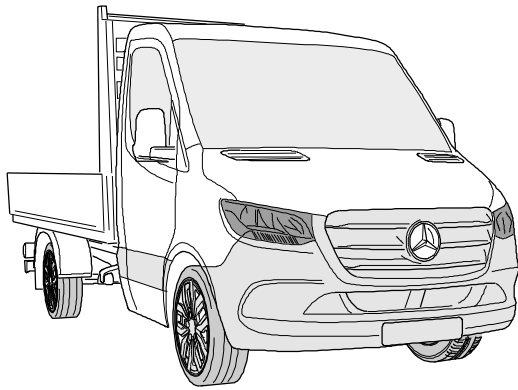




ERICH JAEGER

Installation instructions



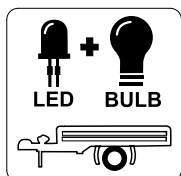
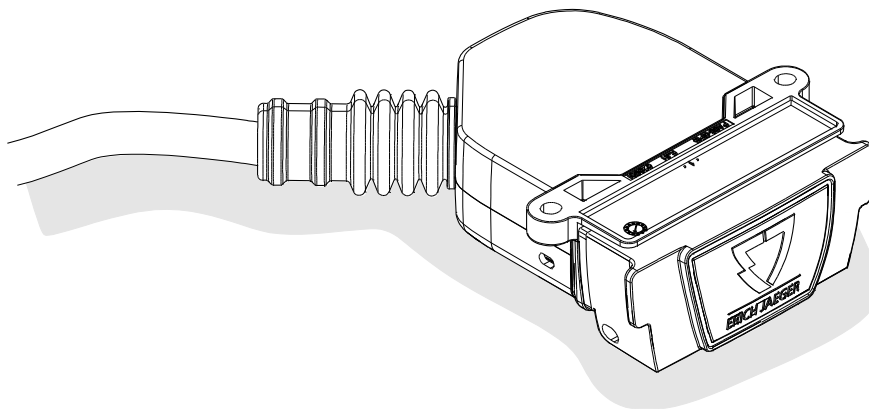
750112EJ

MERCEDES BENZ Sprinter W907 / W910

06/18 >>



SCAN FOR
LATEST
INSTRUCTIONS

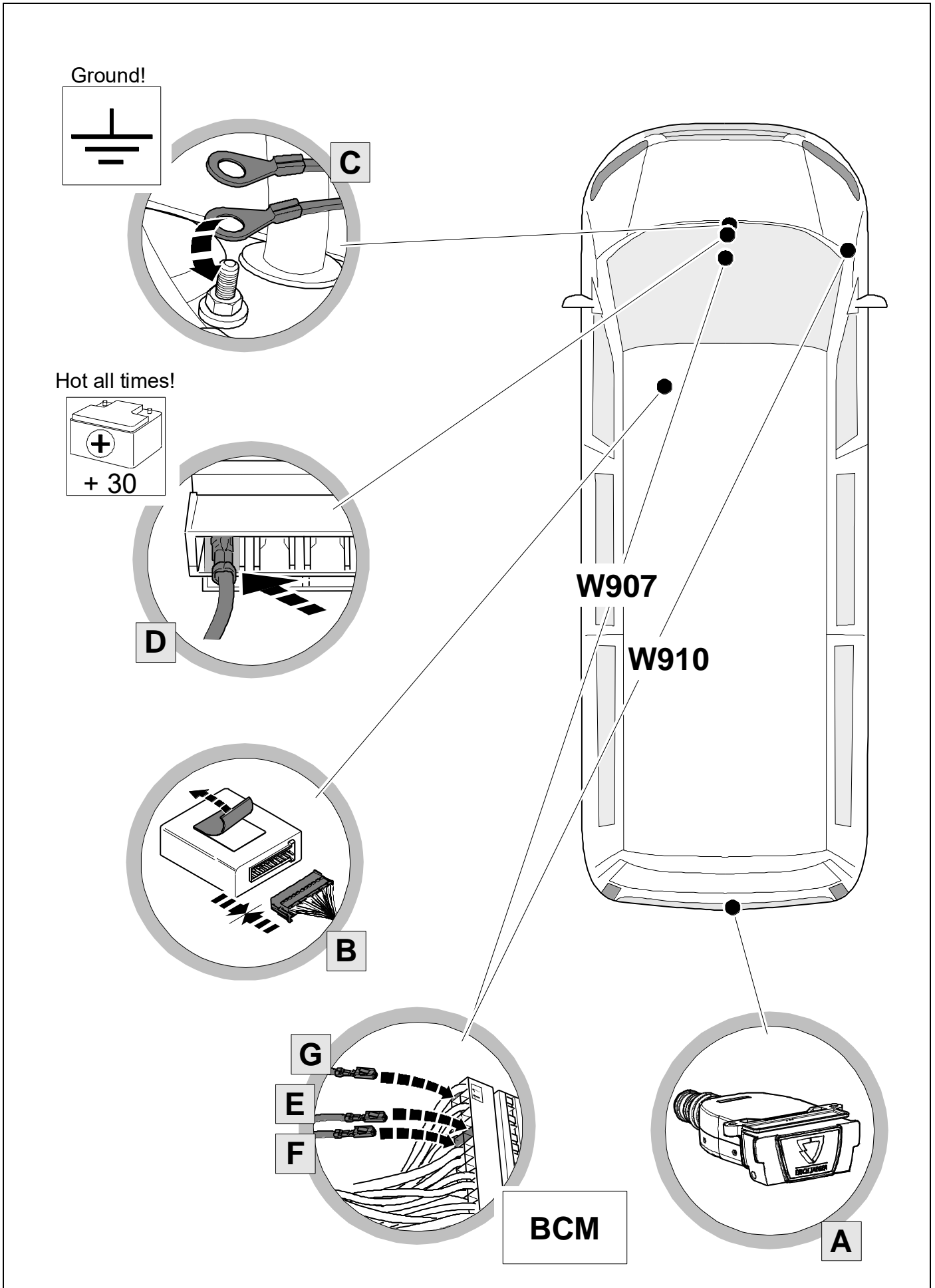


Reference:

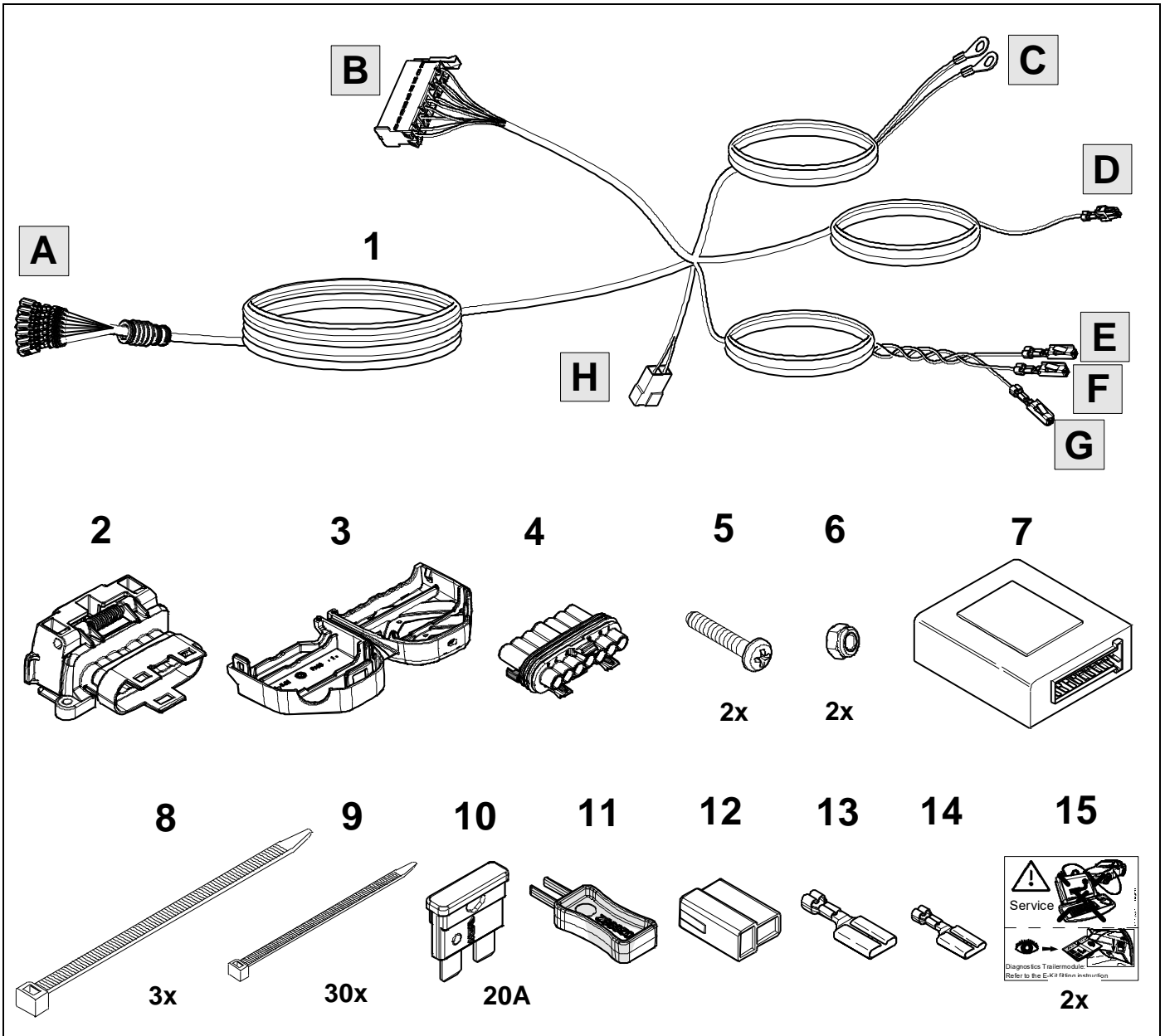
The following information must be reviewed before beginning the assembly:

- The installation instructions are to be thoroughly read.
- The installation should be carried out by qualified personnel with the relevant technical knowledge.
- The vehicle manufacturers' current technical notices and information on retrofitting must be followed.
- The removal and replacement instructions found in the current repair manuals must be followed.
- It must be ensured that the vehicle is technically suitable for the installation of a trailer hitch.

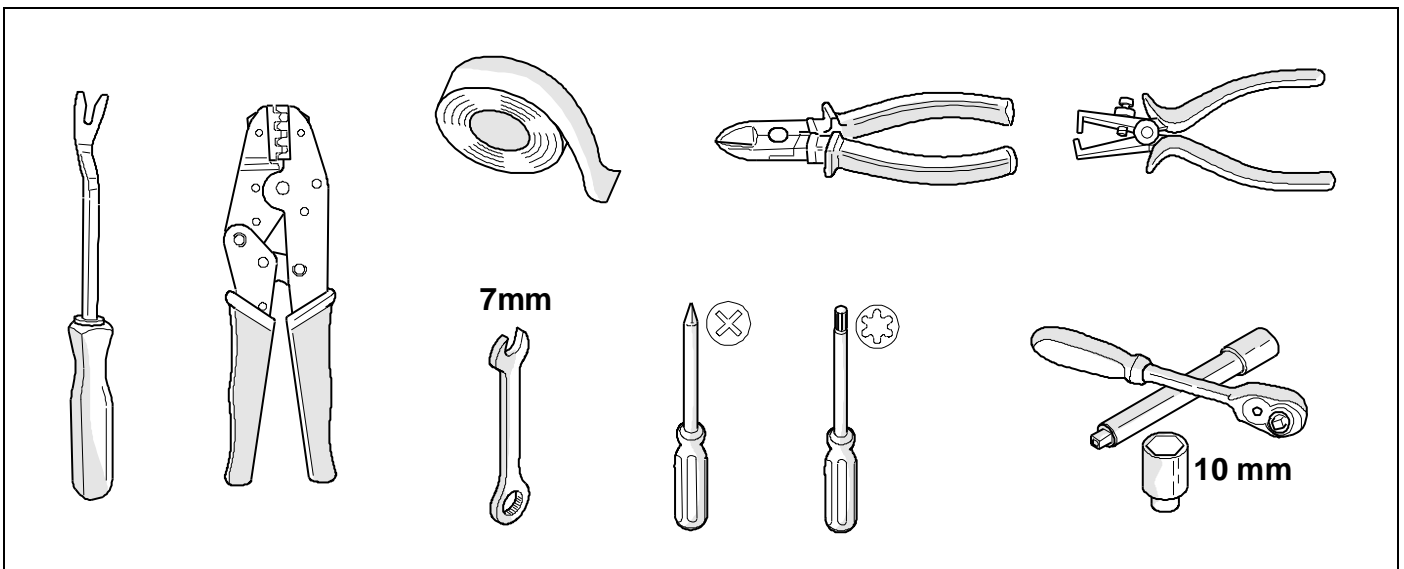
OVERVIEW



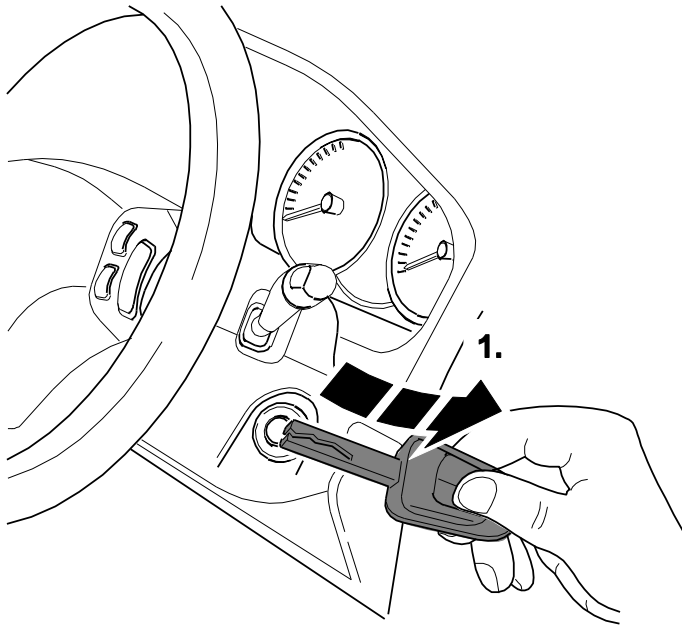
KIT



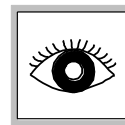
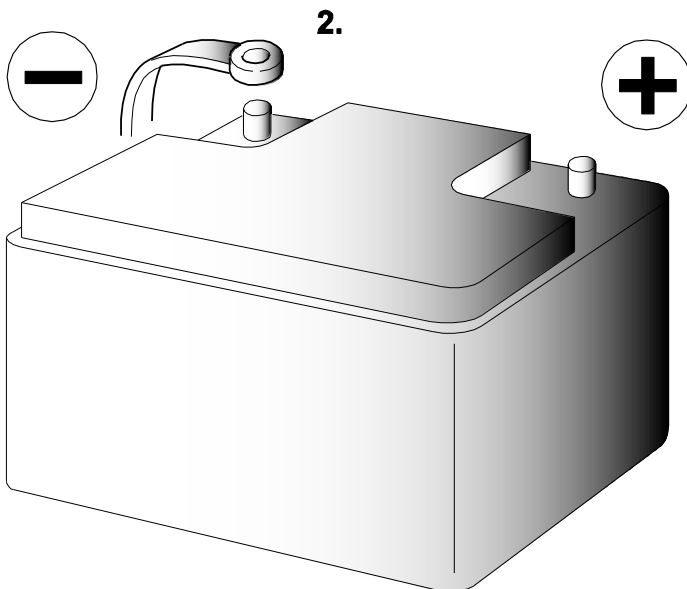
TOOLS



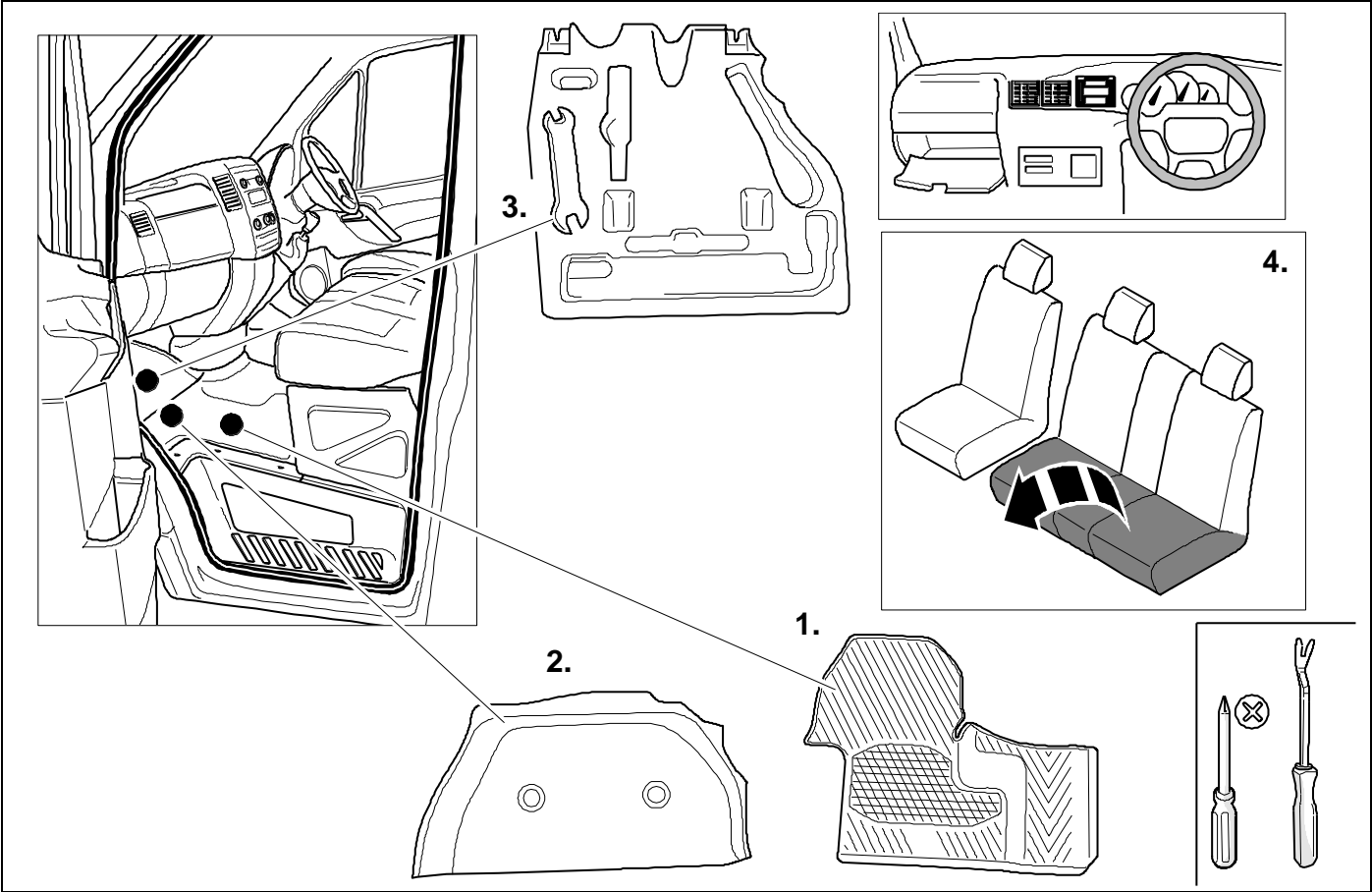
1



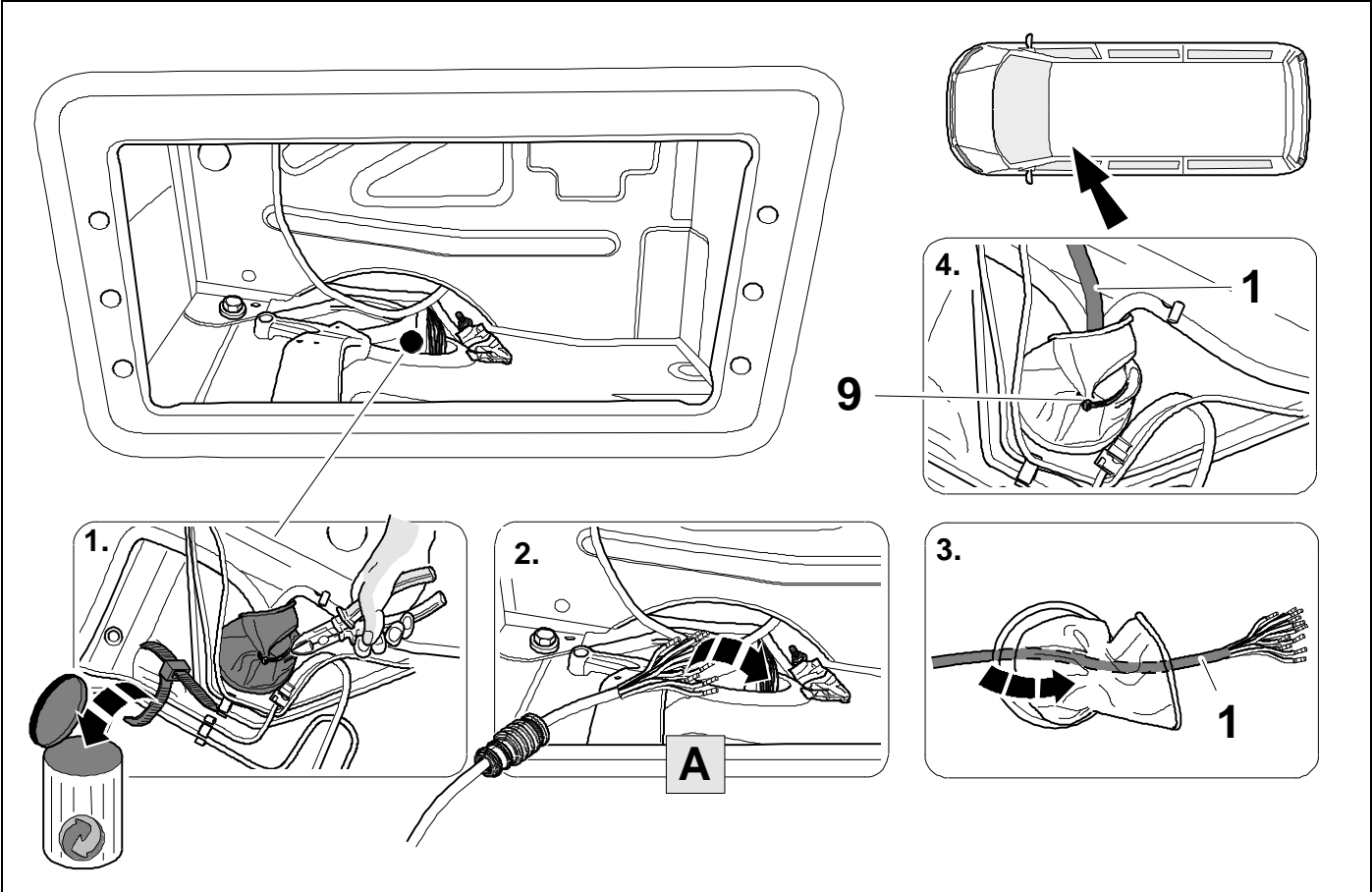
ATTENTION!



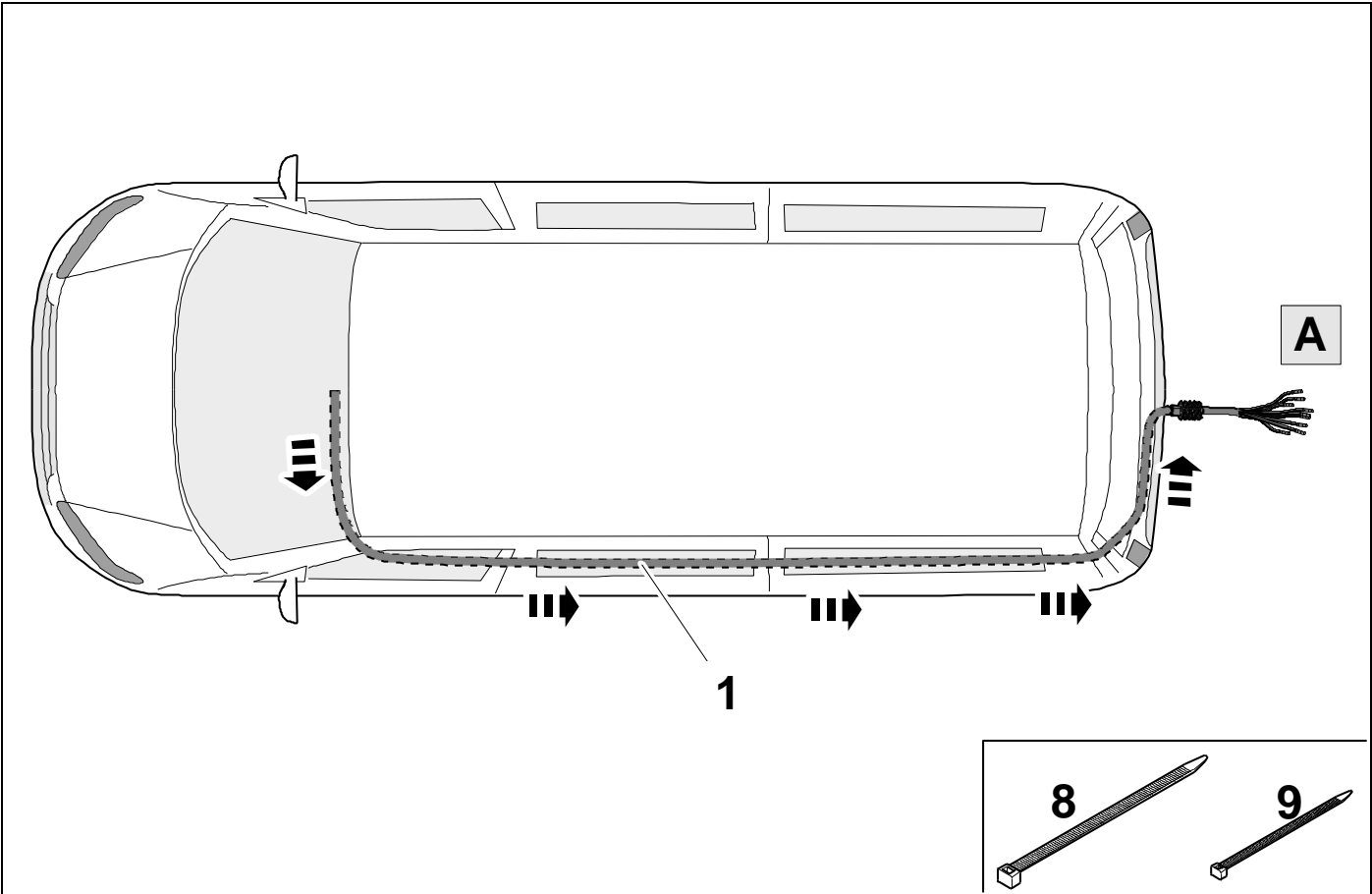
Be careful! If you don't disconnect the battery, the vehicle will show a lot of error messages in instrument panel!

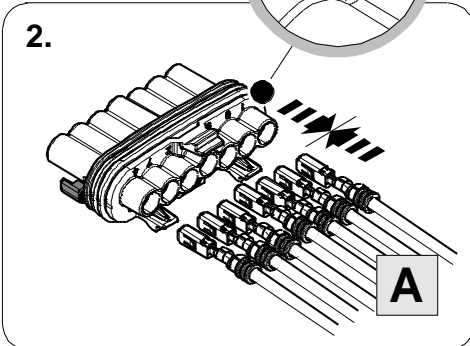
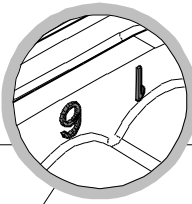
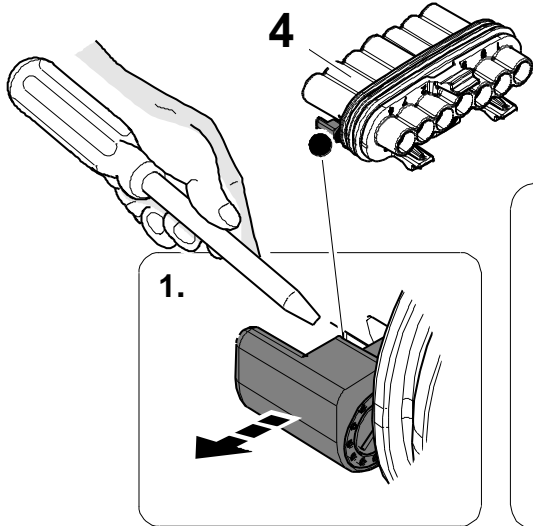


3

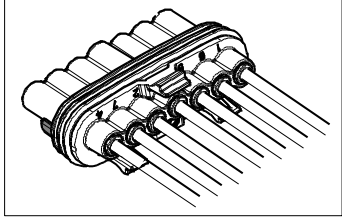
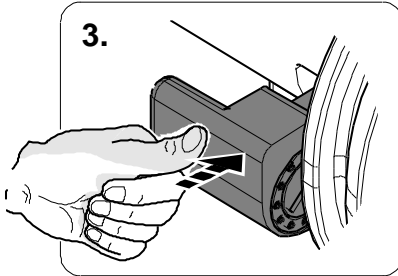
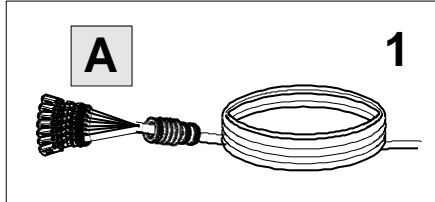


4

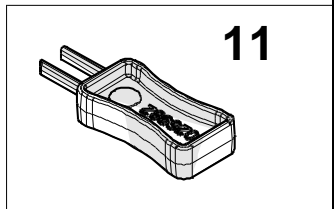
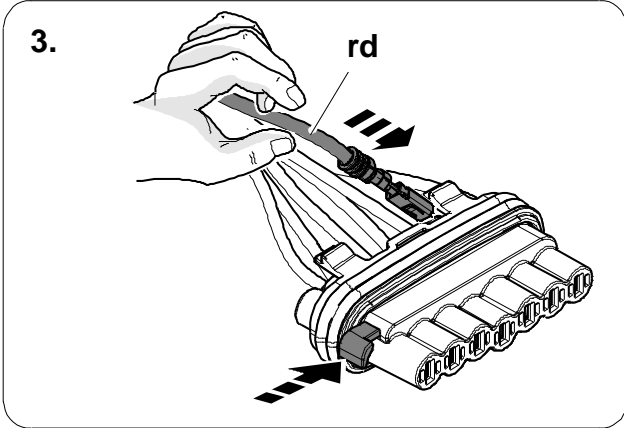
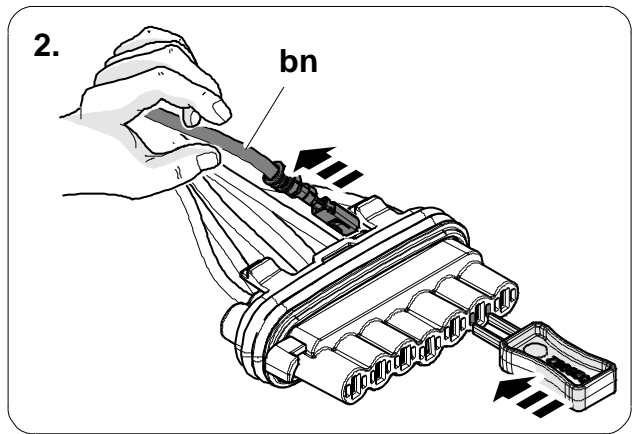
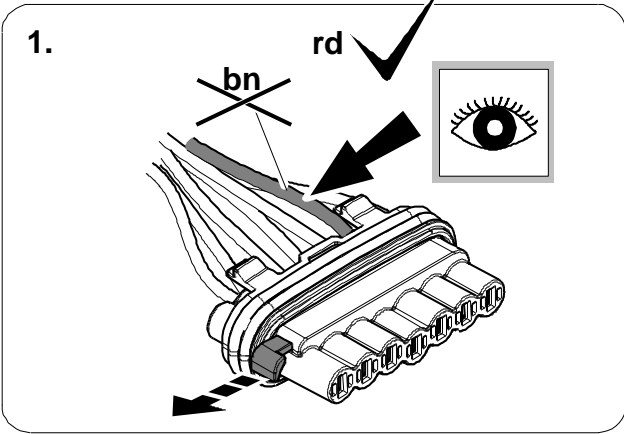




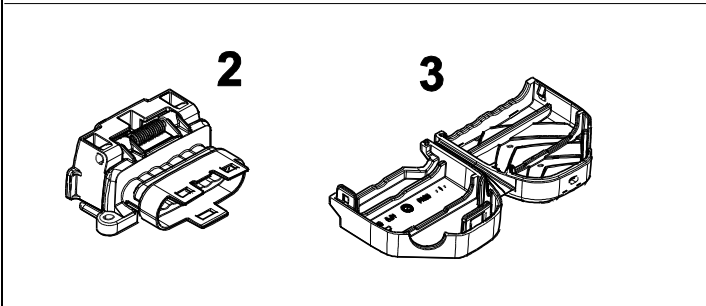
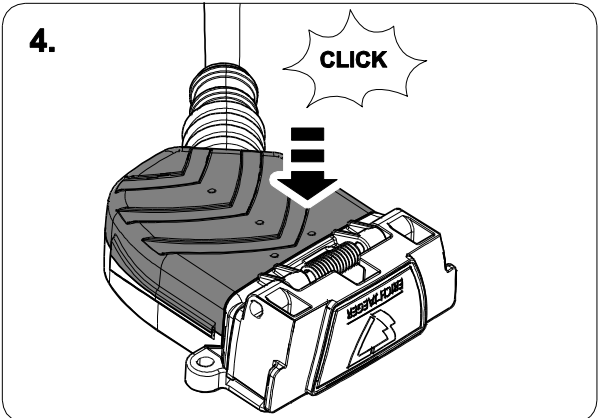
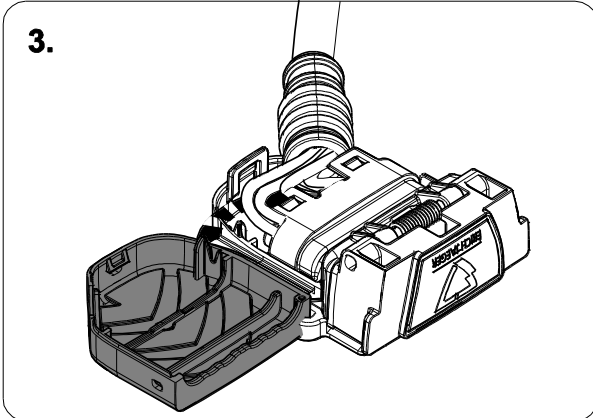
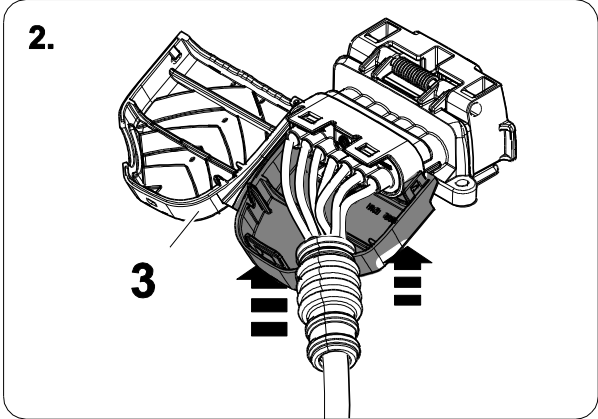
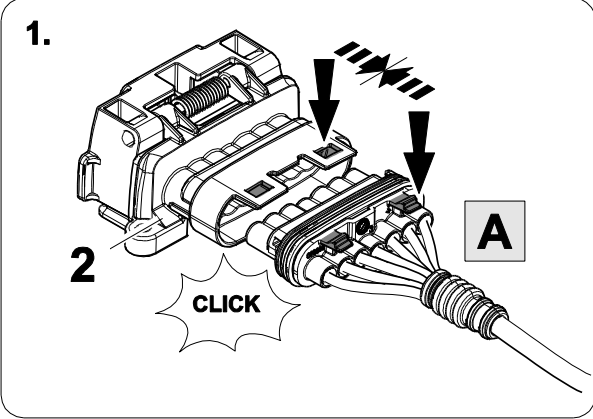
ye	1	
rd	6	
bu	5	
wh	3	
bk	2	
bn	7	
gn	4	



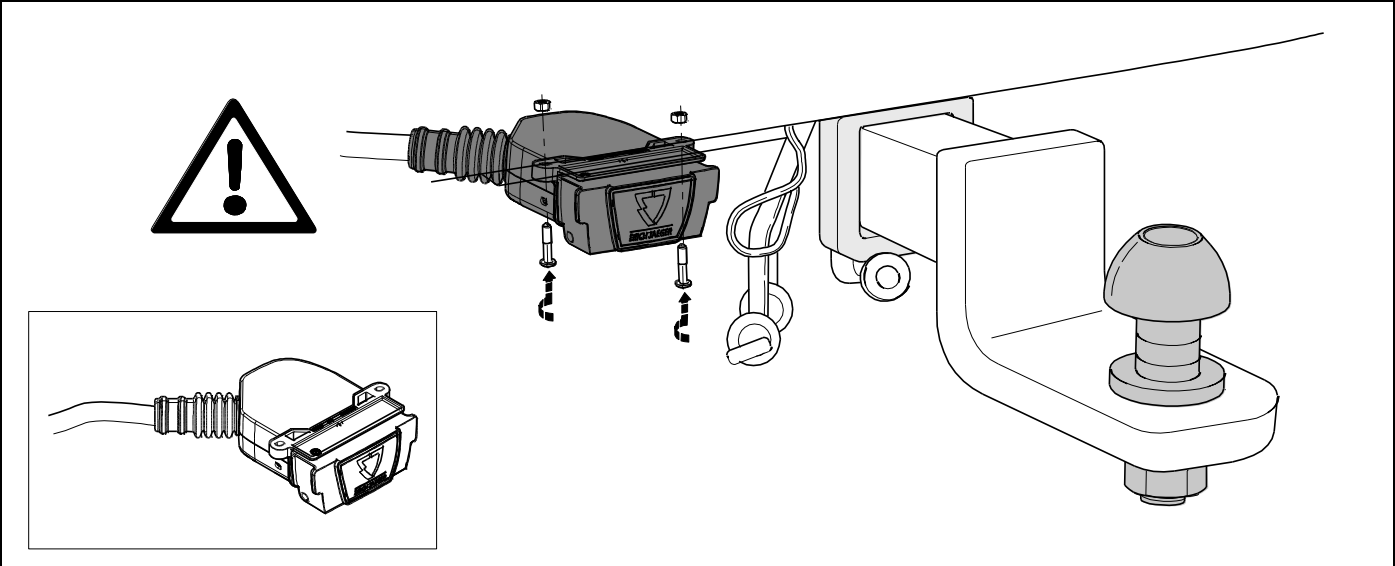
In case of wrong pin insert:



6



7



8



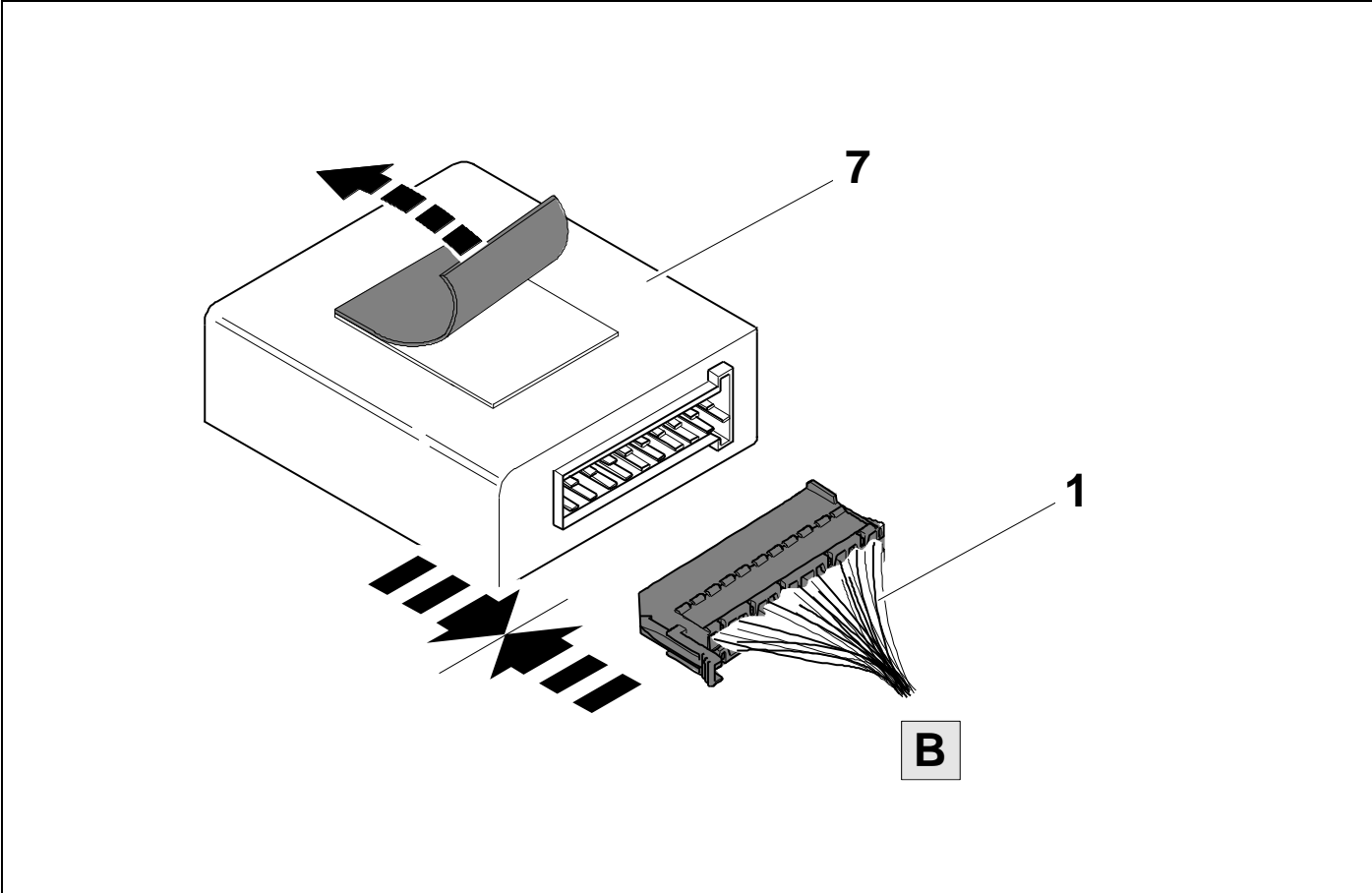
9

1	ye	
2	bk	
3	wh	
4	gn	
5	bu	
6	rd	
7	bn	

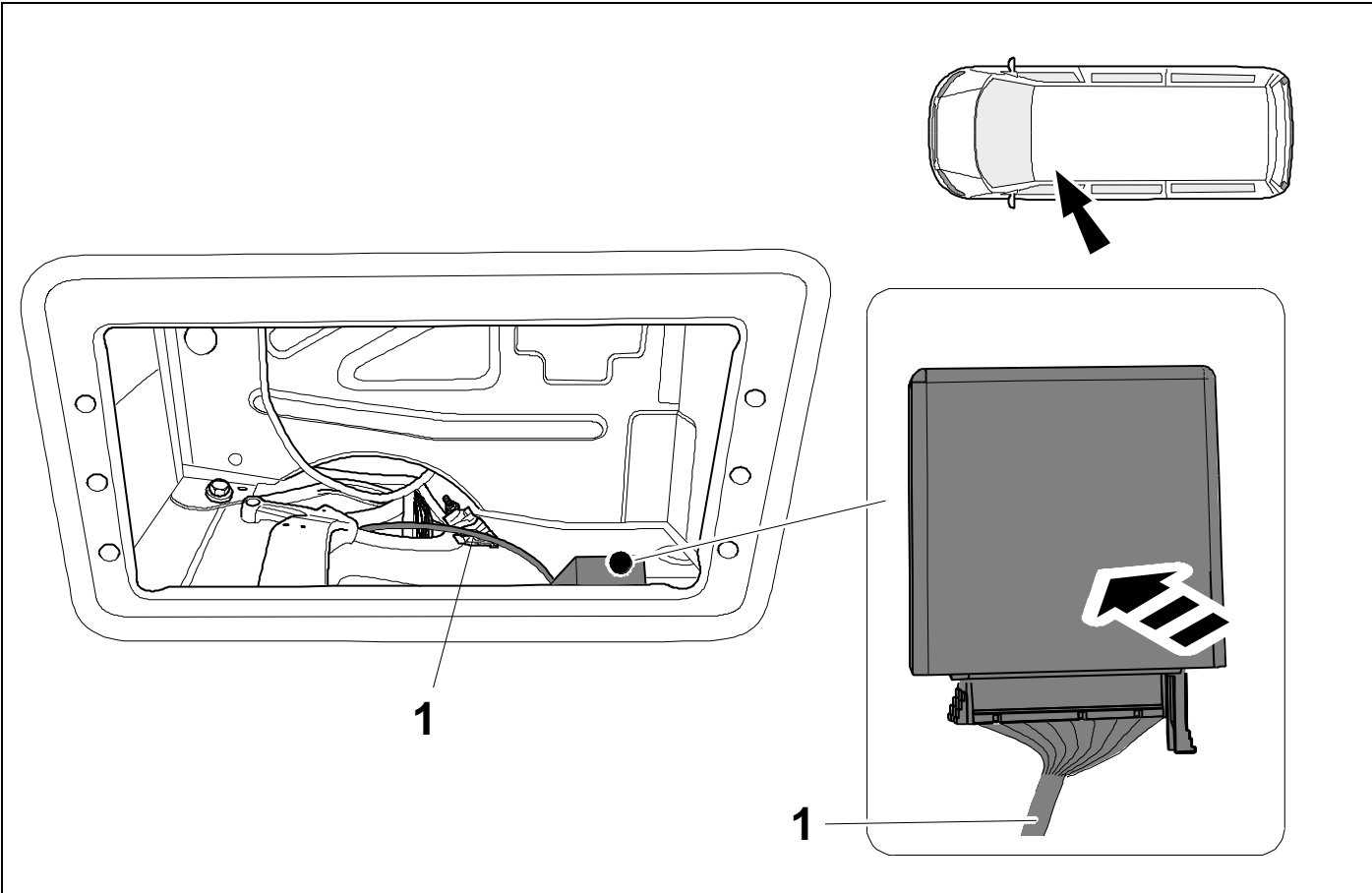
9	bk	wh	gy	gn	rd	bu	ye	bn	pu	or	no
---	----	----	----	----	----	----	----	----	----	----	----

	black	white	grey	green	red	blue	yellow	brown	purple	orange	not occupied
--	-------	-------	------	-------	-----	------	--------	-------	--------	--------	--------------

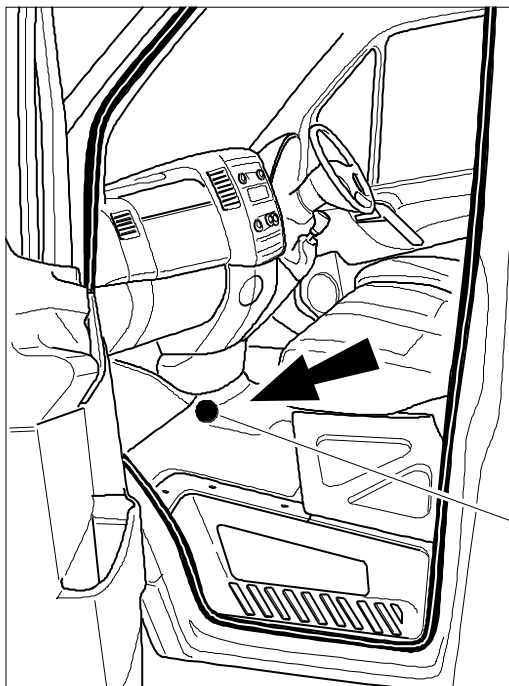
10



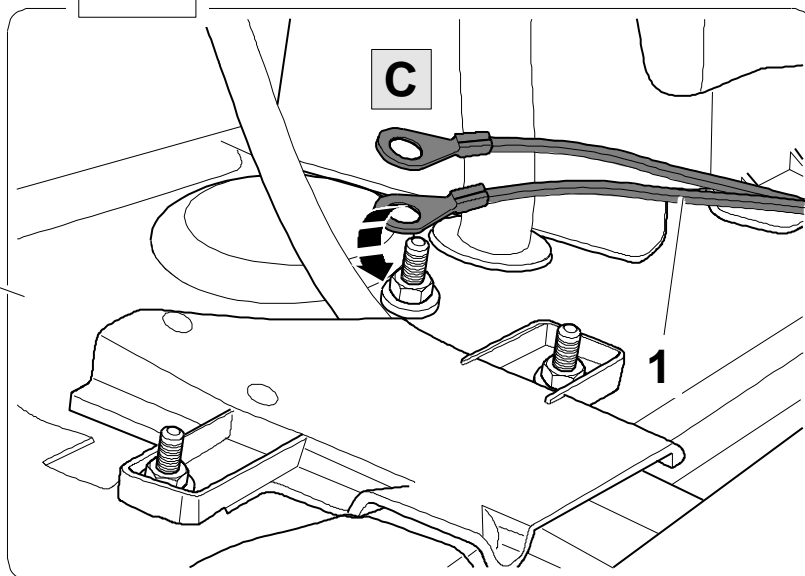
11



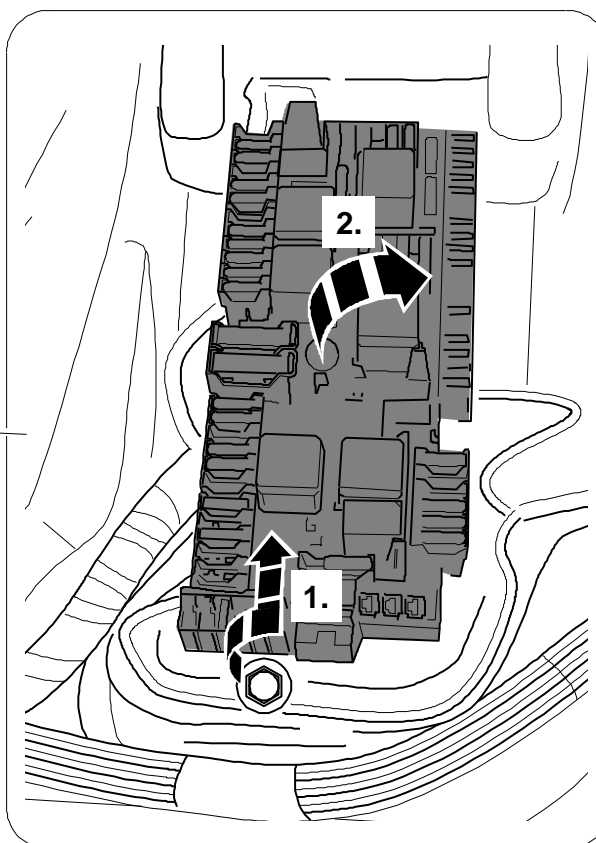
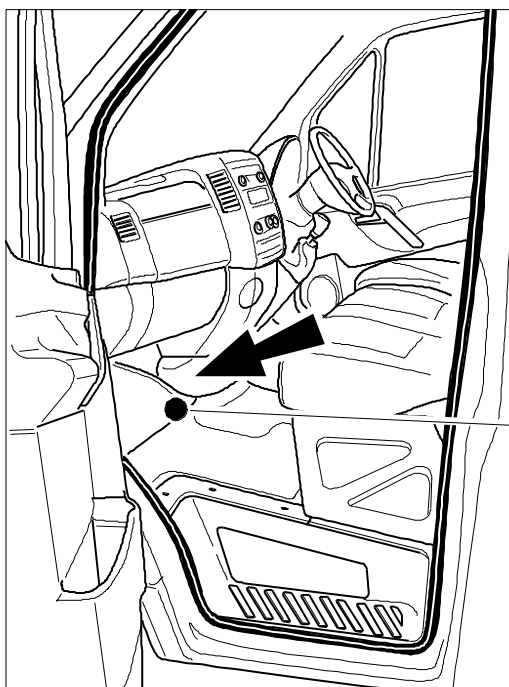
12



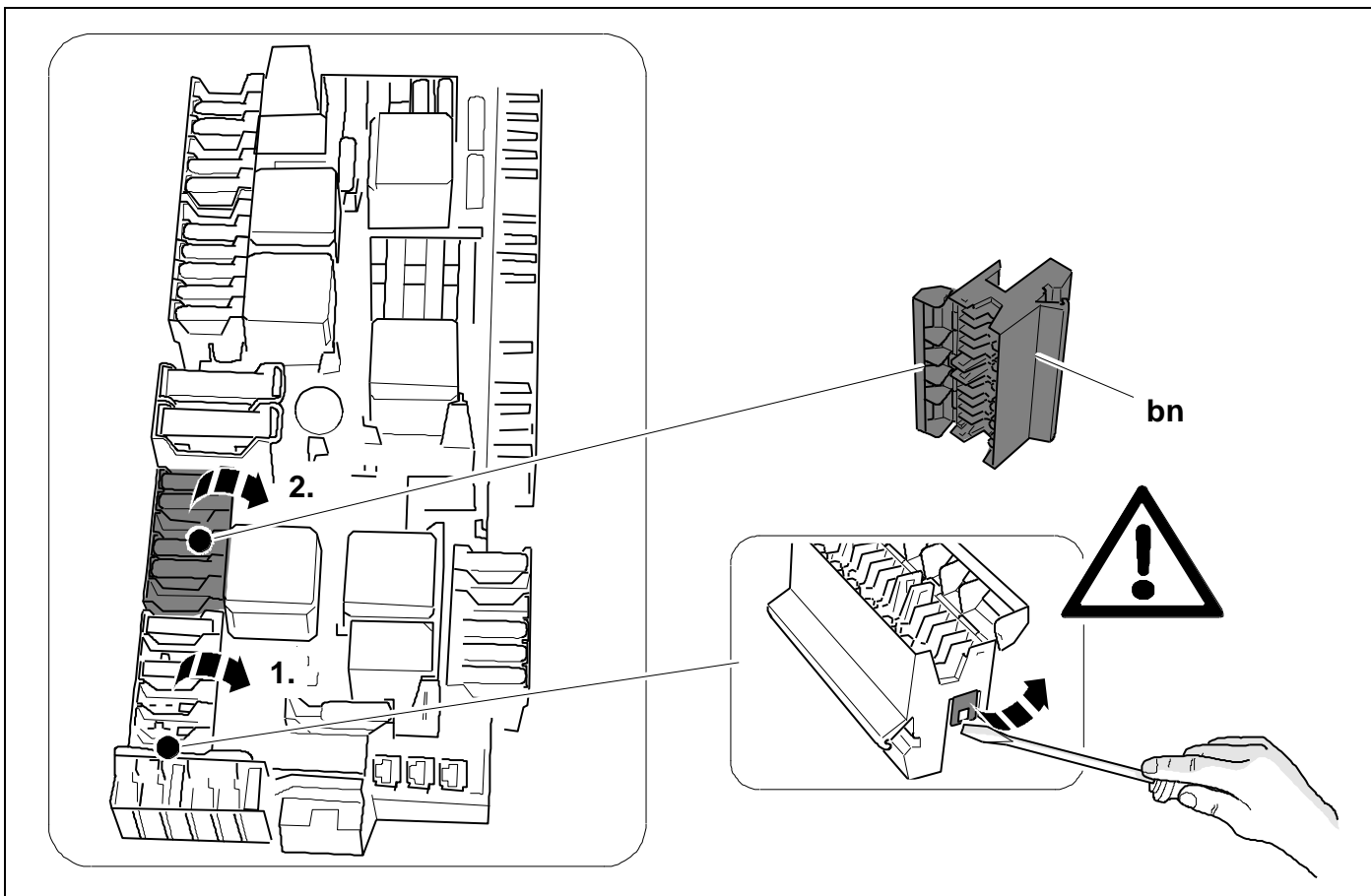
Ground!



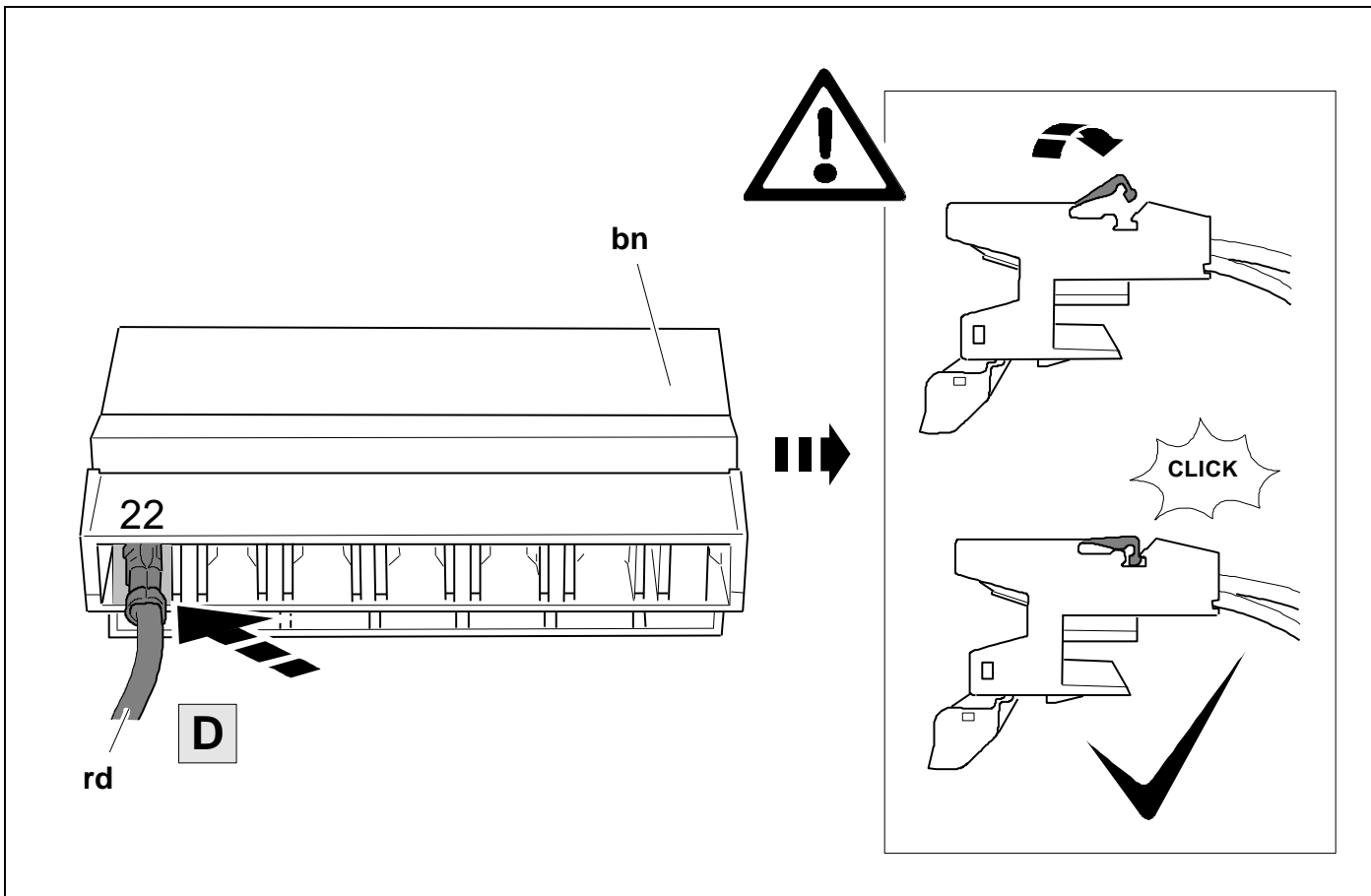
13



14



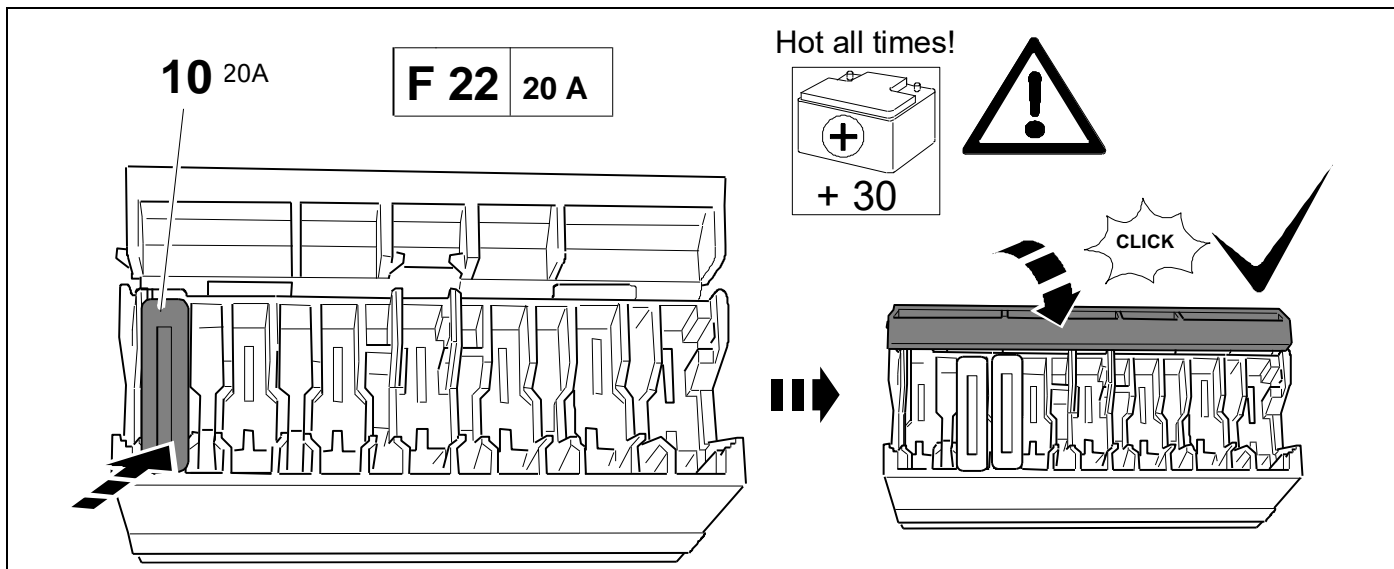
15



16

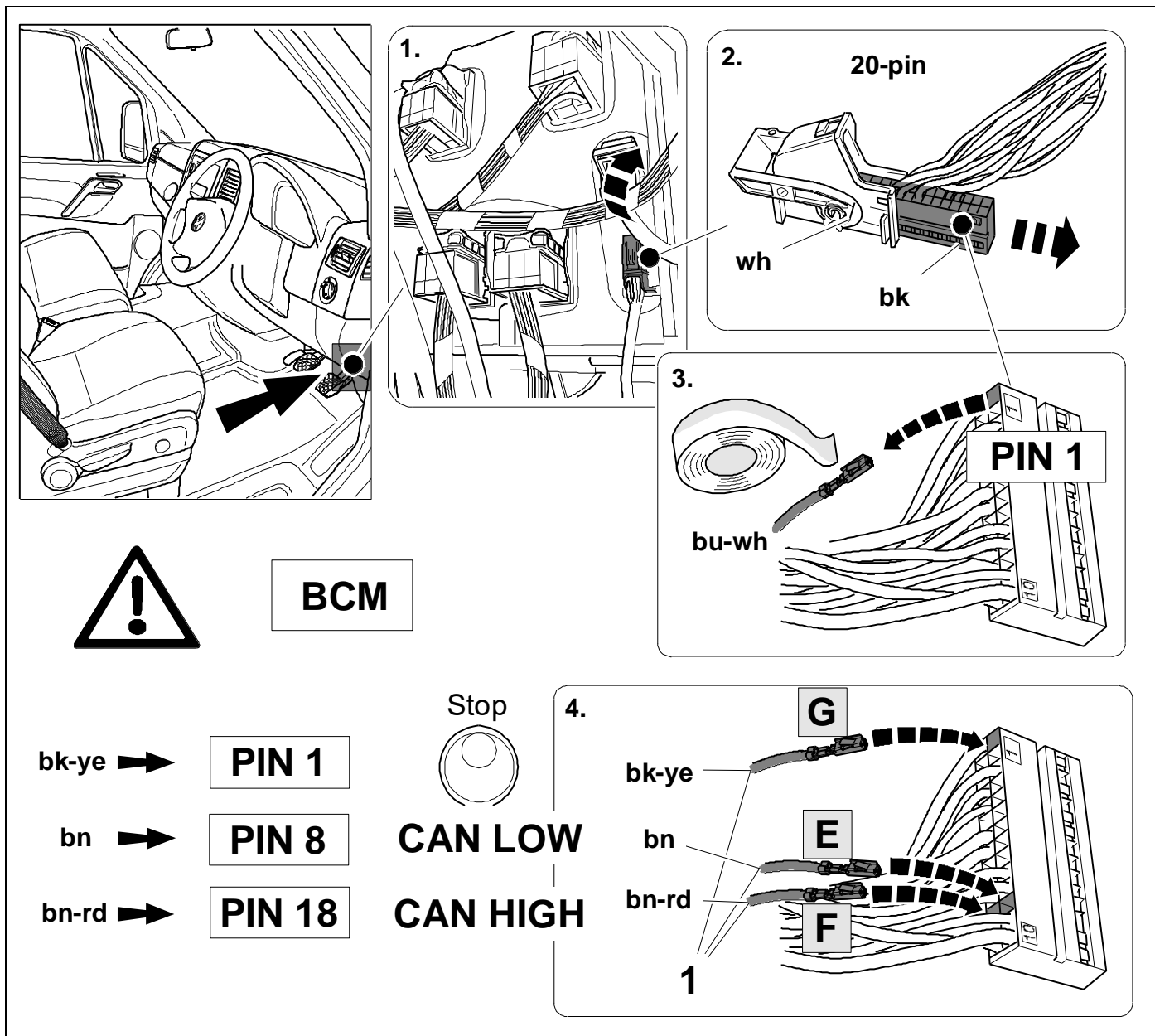


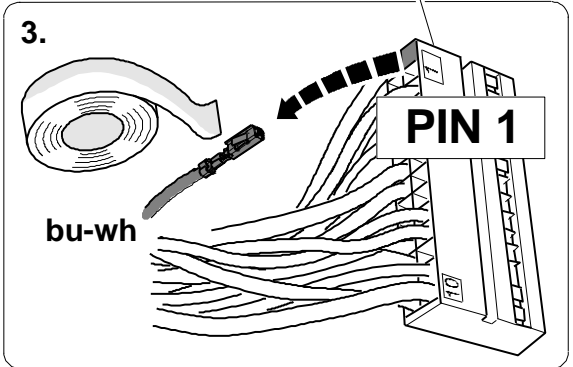
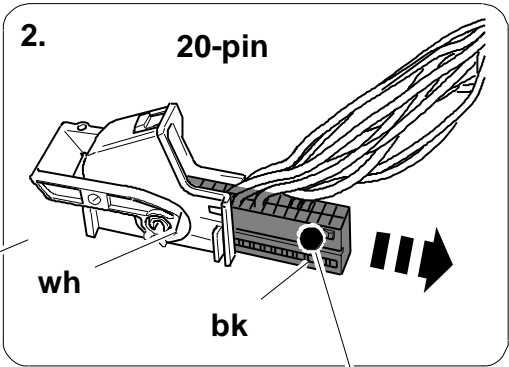
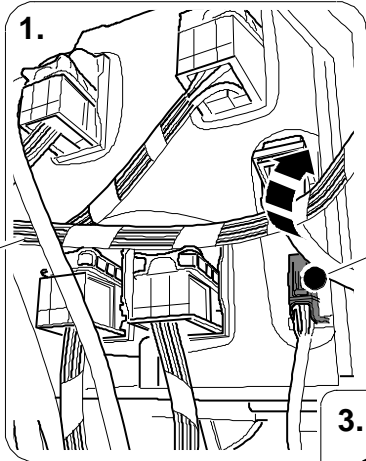
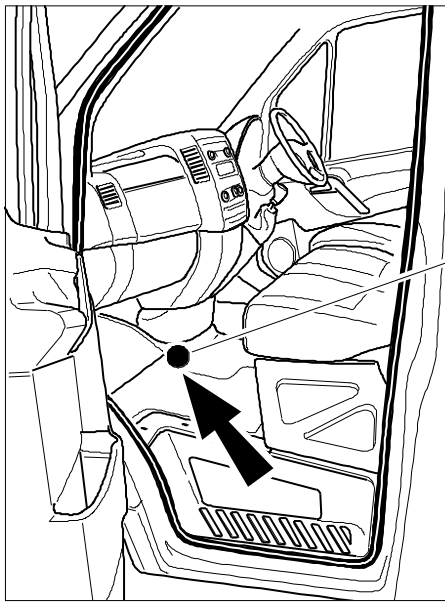
24



17

W907





BCM

bk-ye →

PIN 1

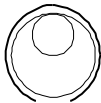
bn →

PIN 8

bn-rd →

PIN 18

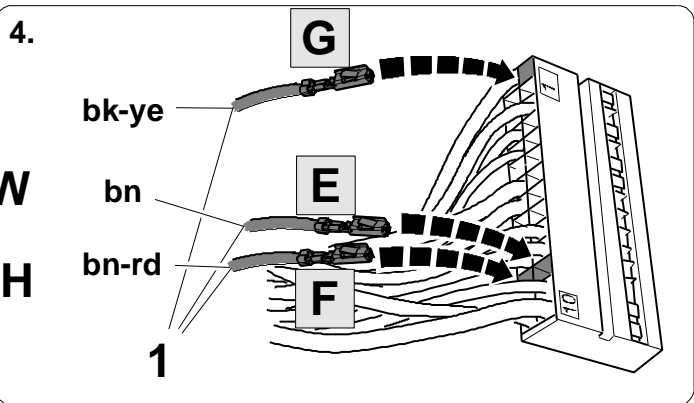
Stop



CAN LOW

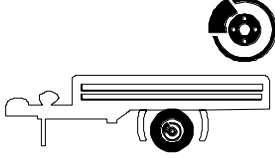
CAN HIGH

If PINS 8 and 18 are populated,
use PINS 9 and 19

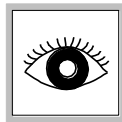
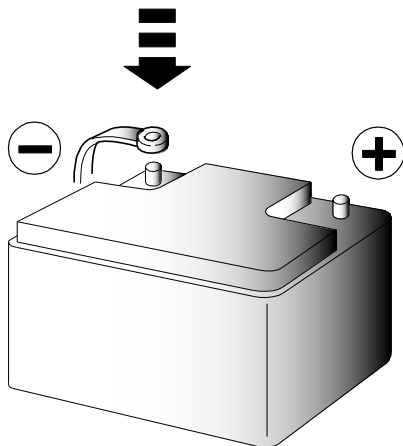
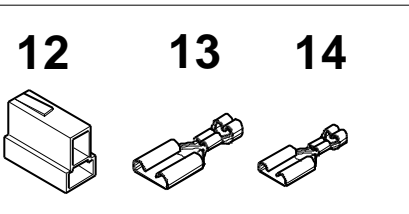
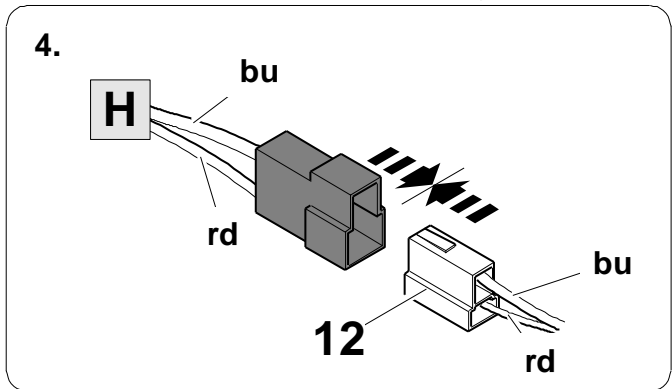
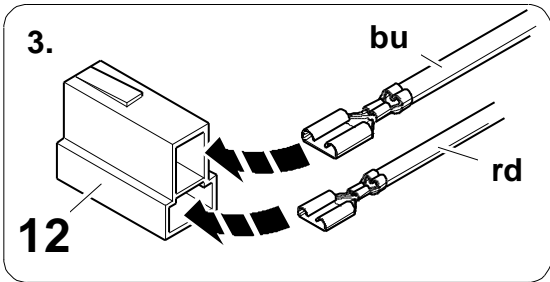
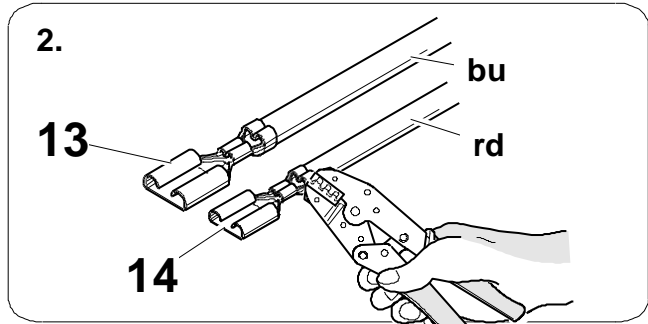
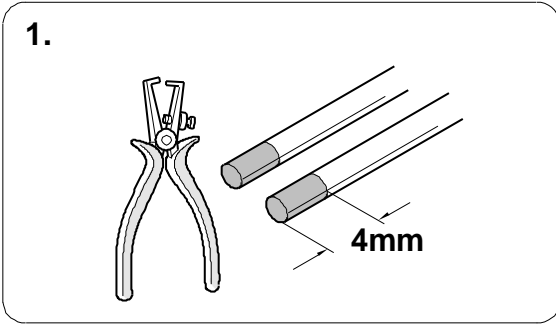
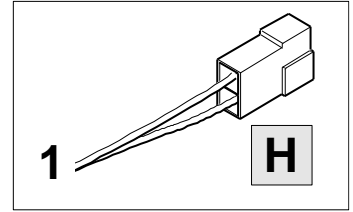




**BRAKE
CONTROLLER
PREPARED**

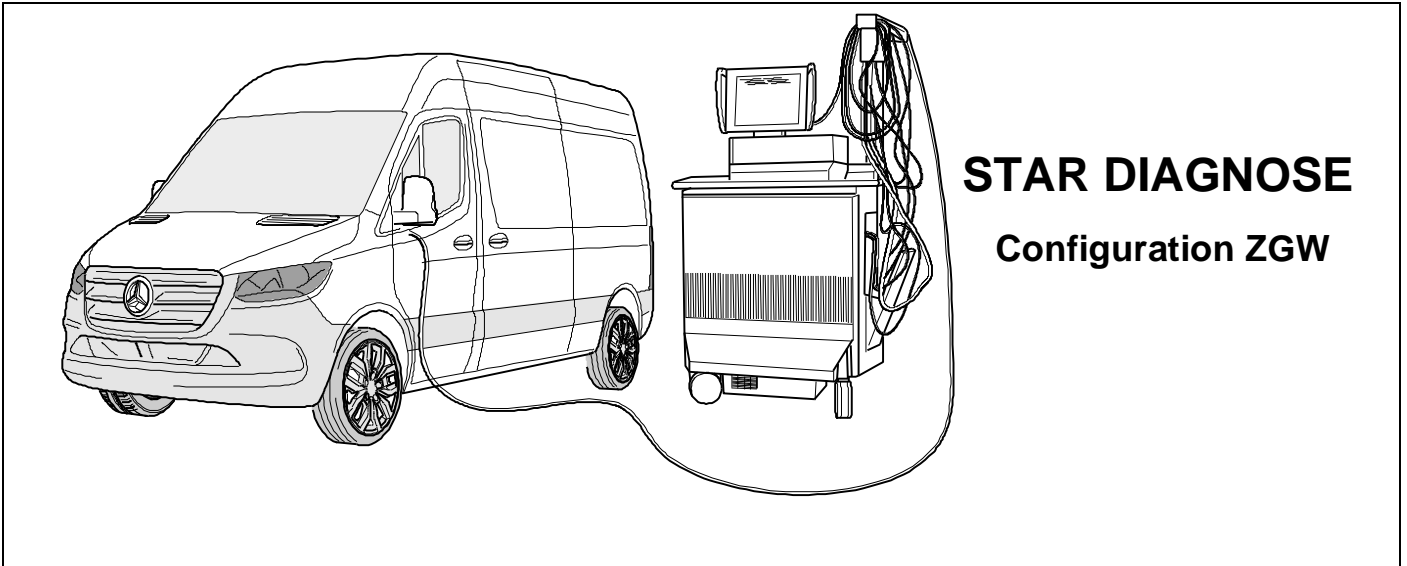


Trailer Brake Preparation

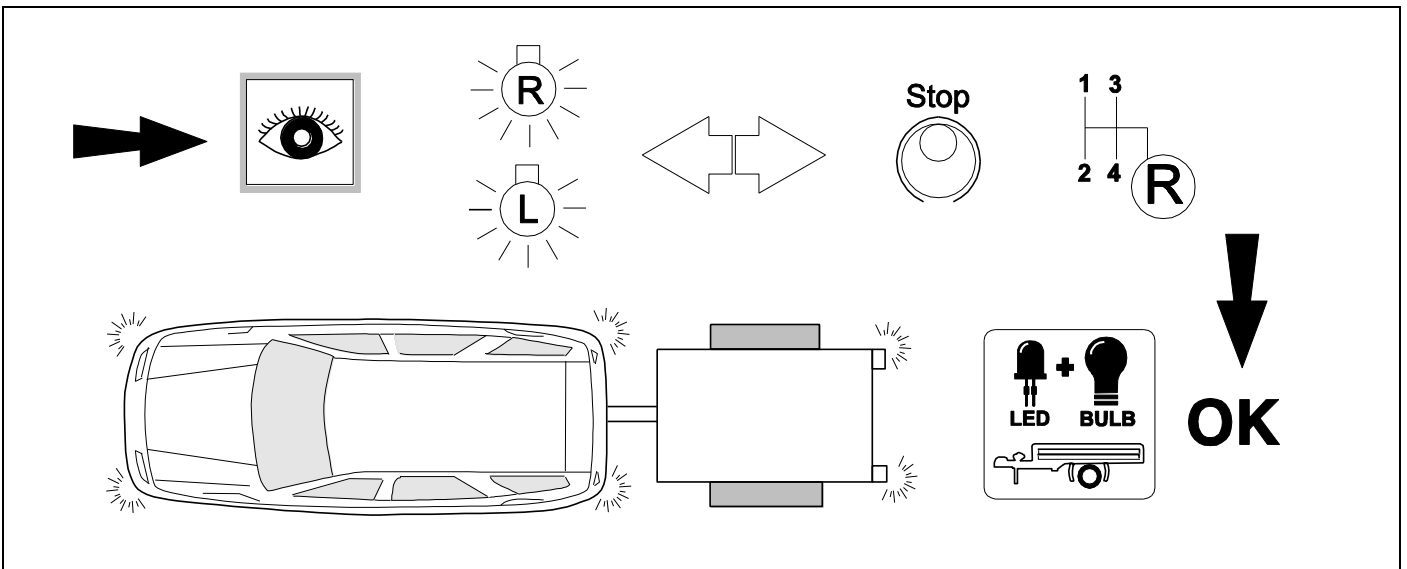


21 CODING

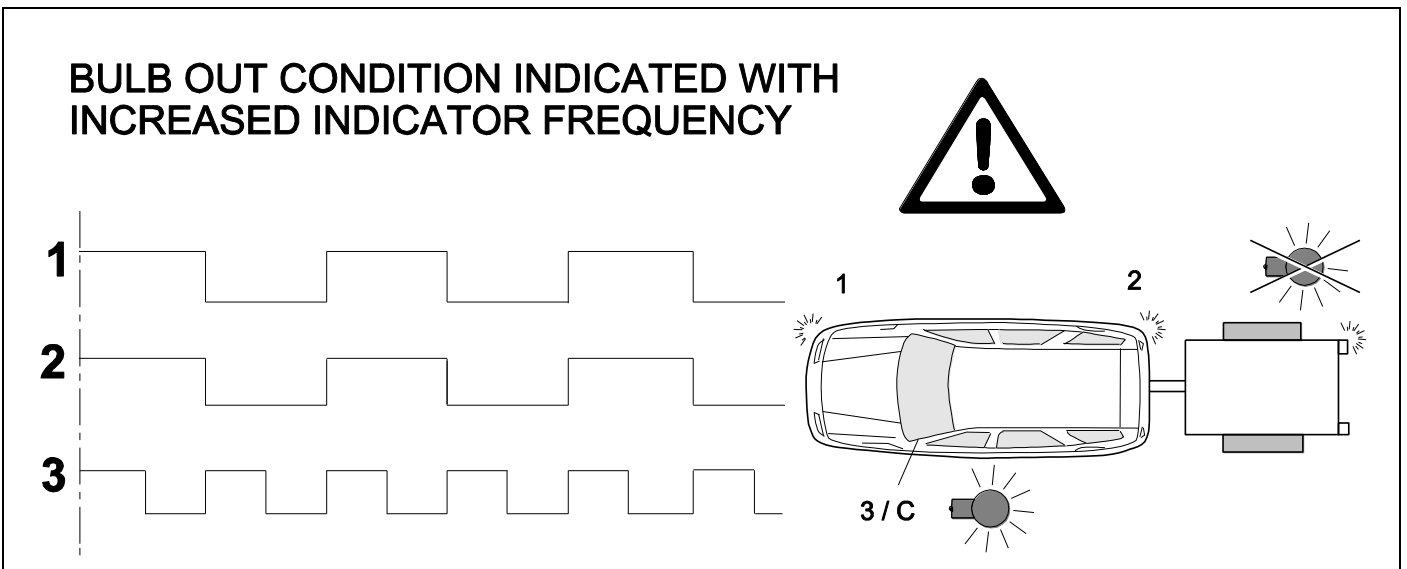
Optional only for PDC deactivation



22 CHECK ALL LIGHTING FUNCTIONS

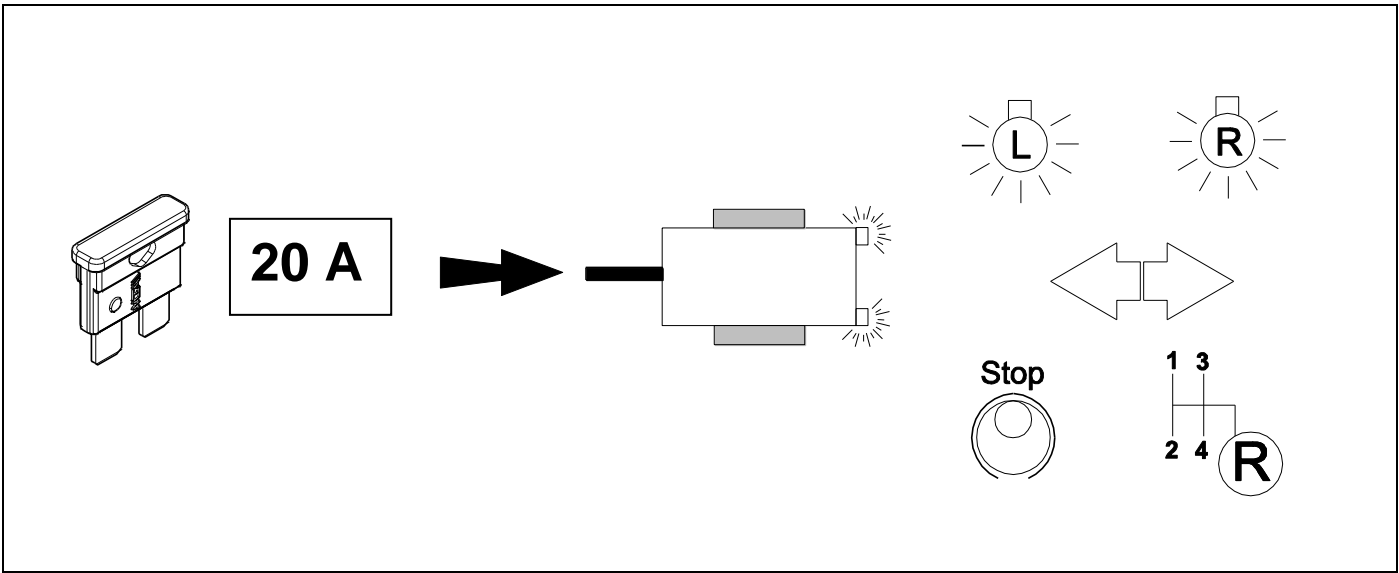


23 CHECK BULB OUT DETECTION

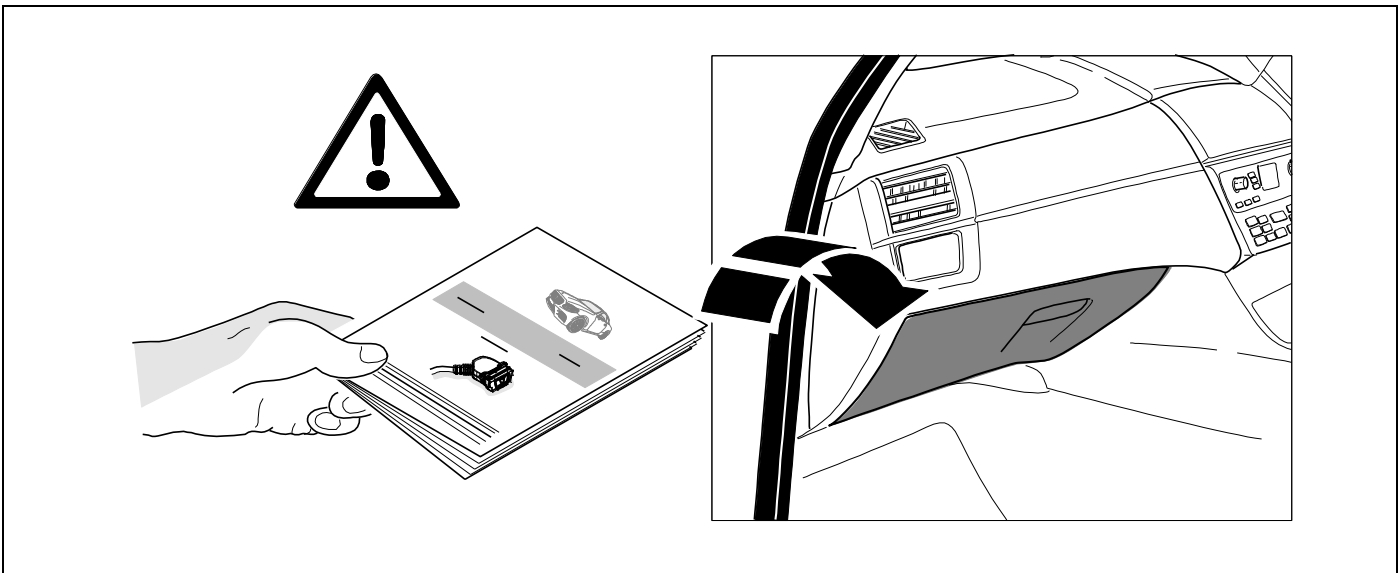


24

👁️ ⇒ 16



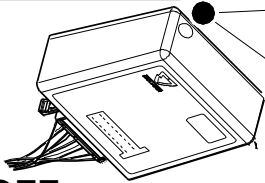
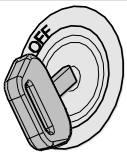
25



Subject to change in terms of construction, equipment and colour, and may contain errors.
 The information and illustrations are non-binding.

Status LED for self-diagnosis

Operation Support



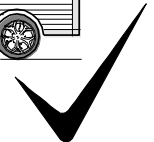
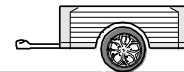
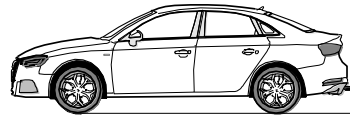
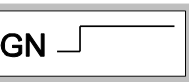
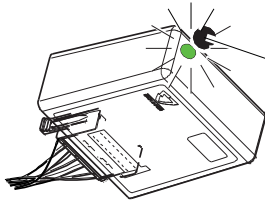
No CAN-Data =



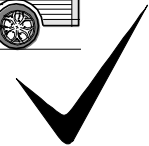
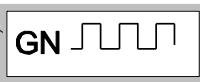
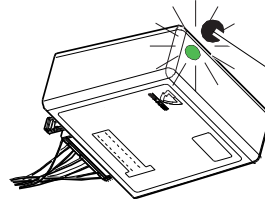
Standby / Sleepmode



Ignition OFF



Ignition ON



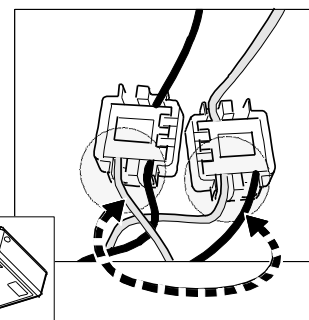
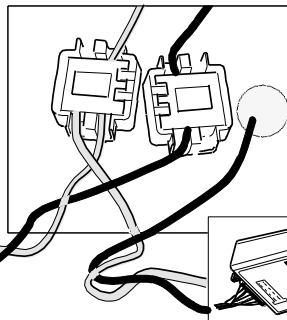
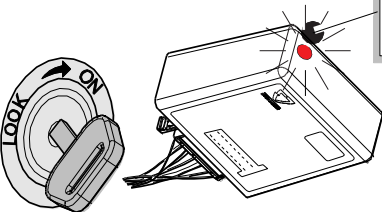
Ignition ON

Failure Support

CAN-Data Wire

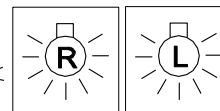


1x max. 5 min.

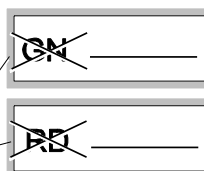
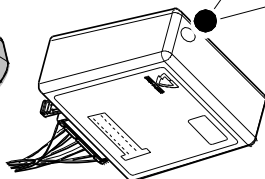


Ignition ON

Failure indicated by the module LED glowing red for a maximum of 5 minutes. If trailer connected the tail lights will also glow indicating failure of CAN signal.



Ignition ON



or

