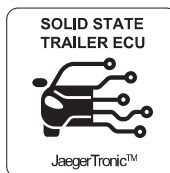
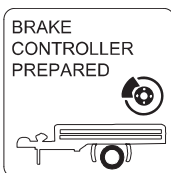
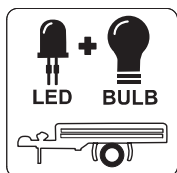
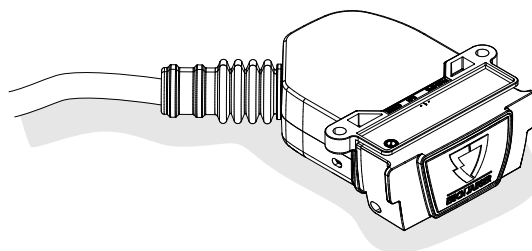


750118

NISSAN Qashqai 2

05/19 >>



Reference:

The following information must be reviewed before beginning the assembly:

The installation instructions are to be thoroughly read.

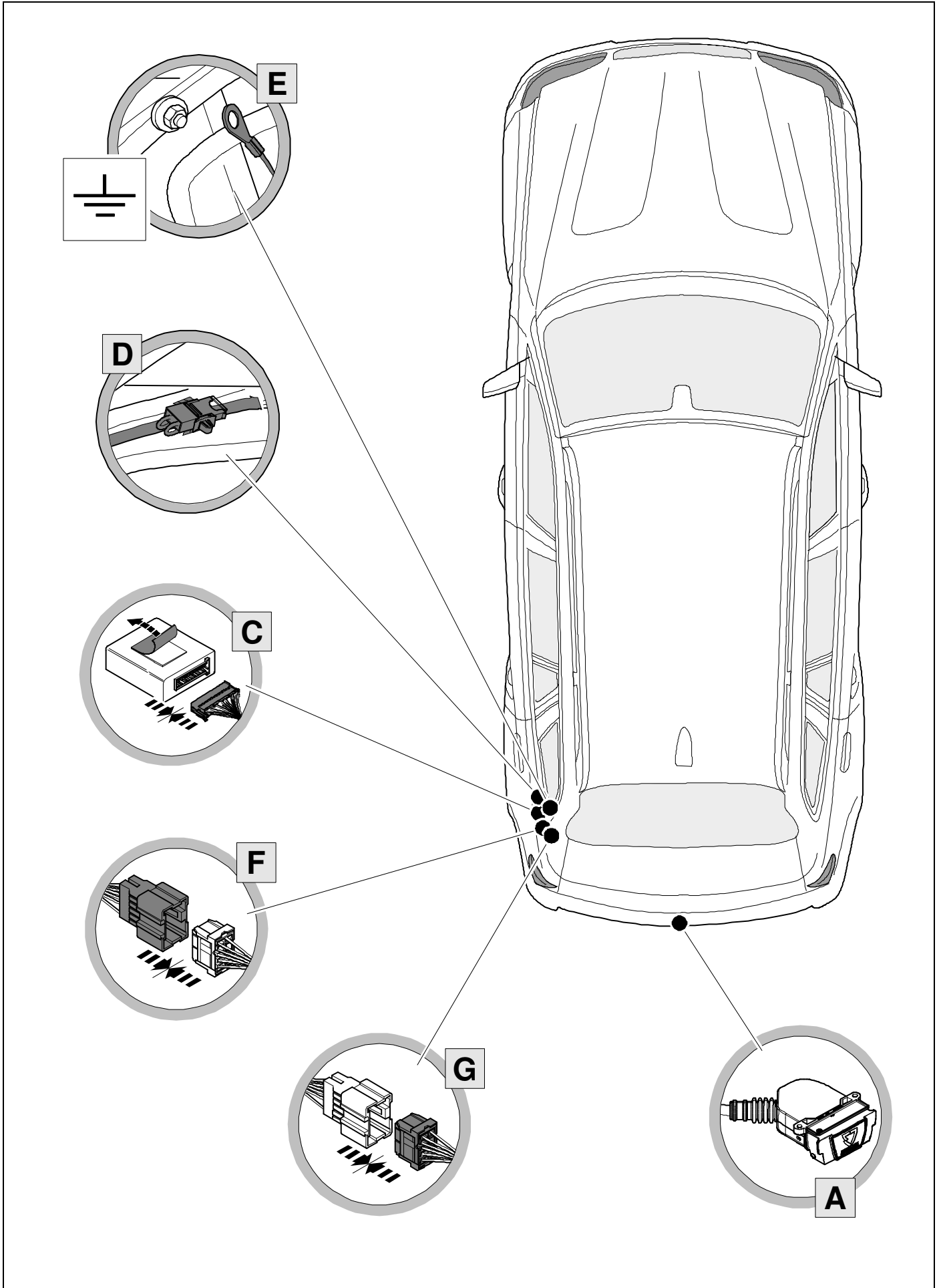
The installation should be carried out by qualified personnel with the relevant technical knowledge.

The vehicle manufacturers' current technical notices and information on retrofitting must be followed.

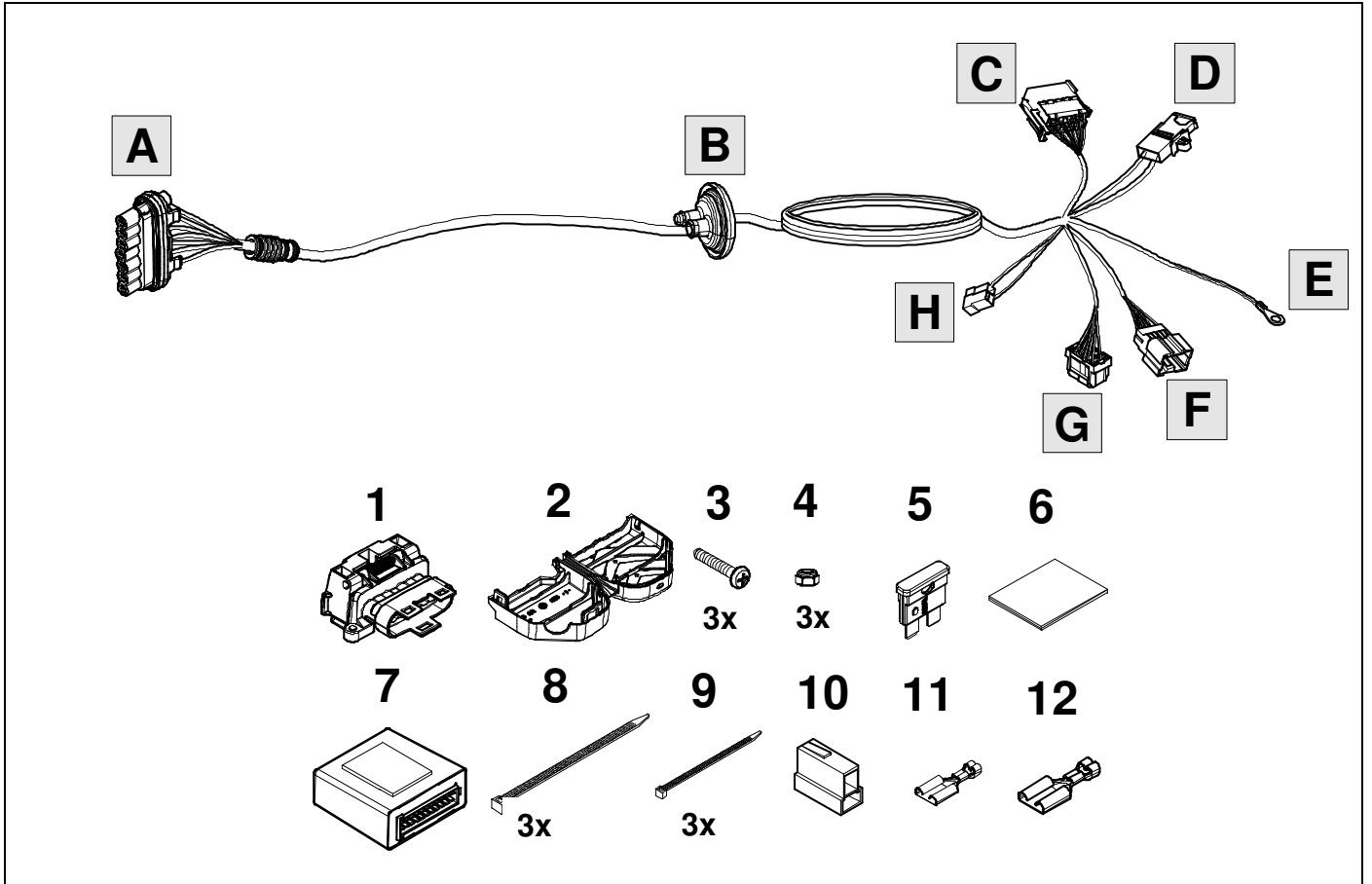
The removal and replacement instructions found in the current repair manuals must be followed.

It must be ensured that the vehicle is technically suitable for the installation of a trailer hitch.

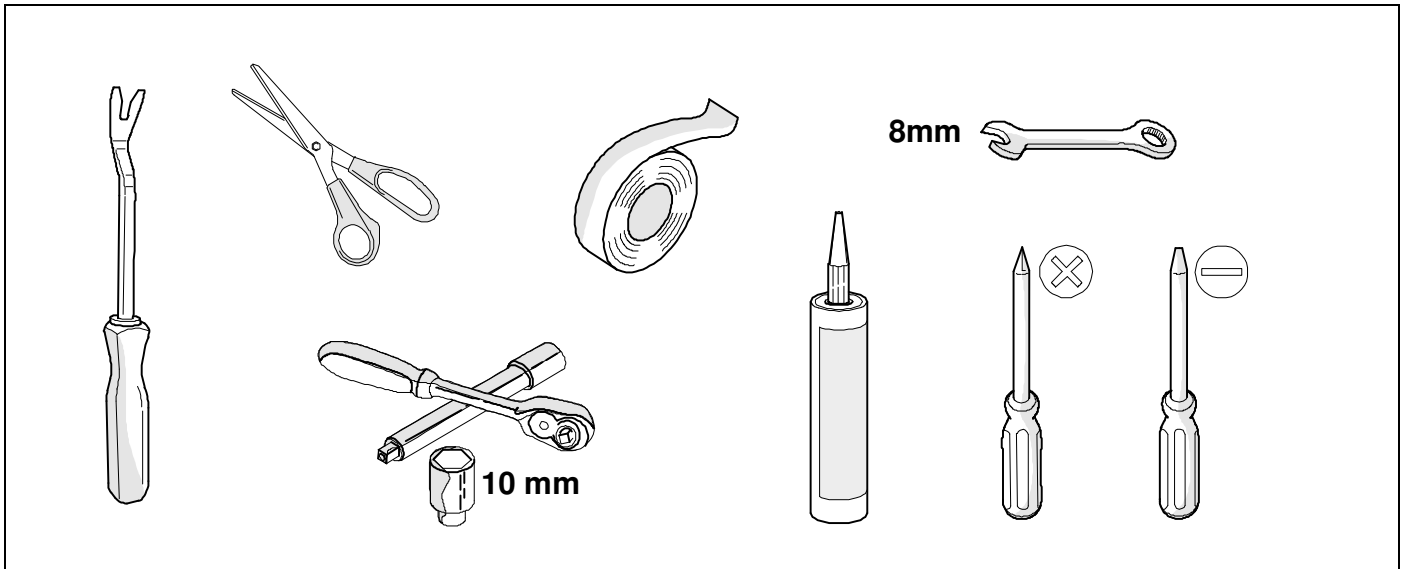
OVERVIEW



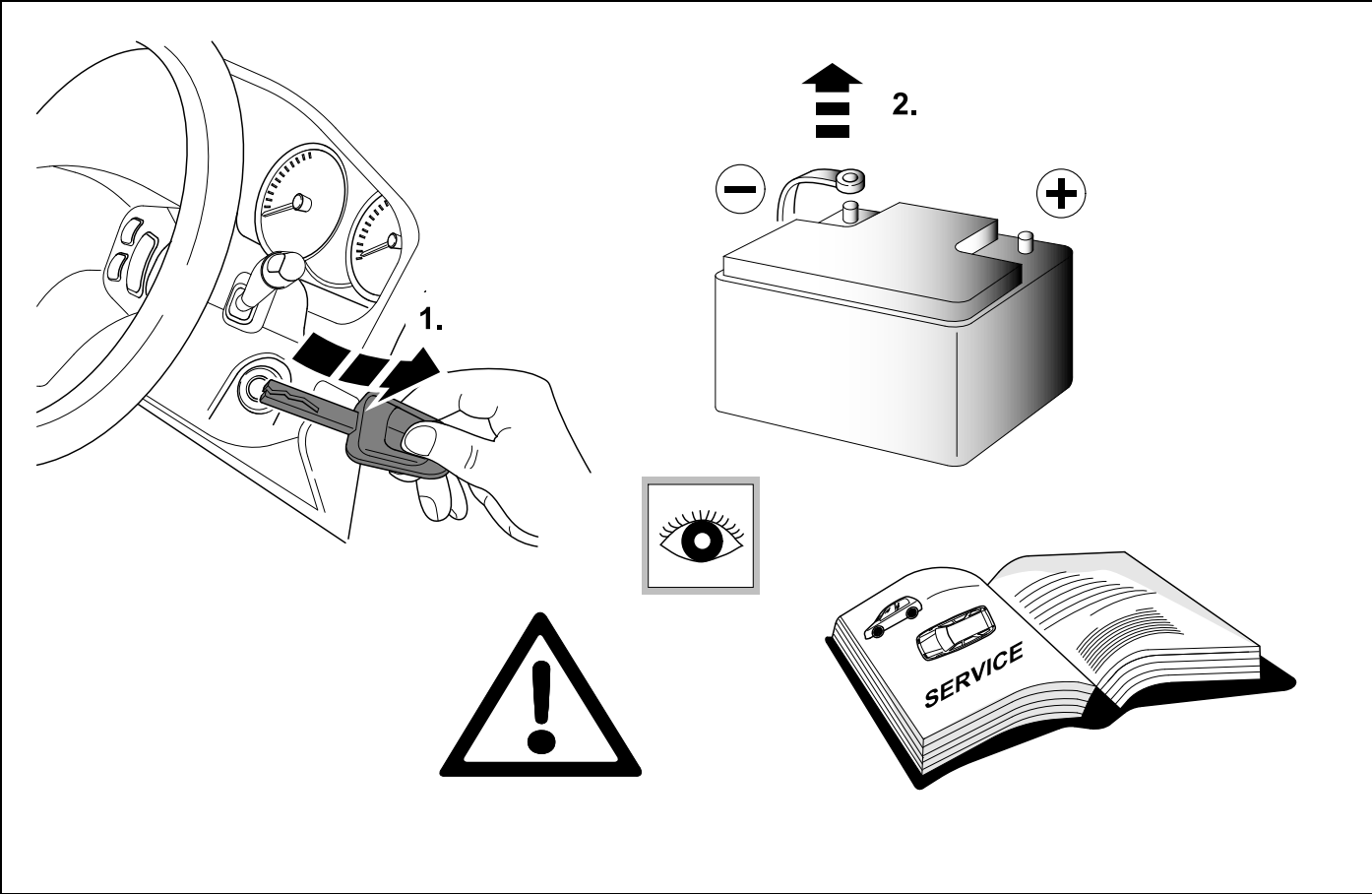
KIT



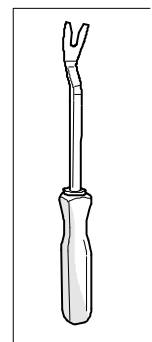
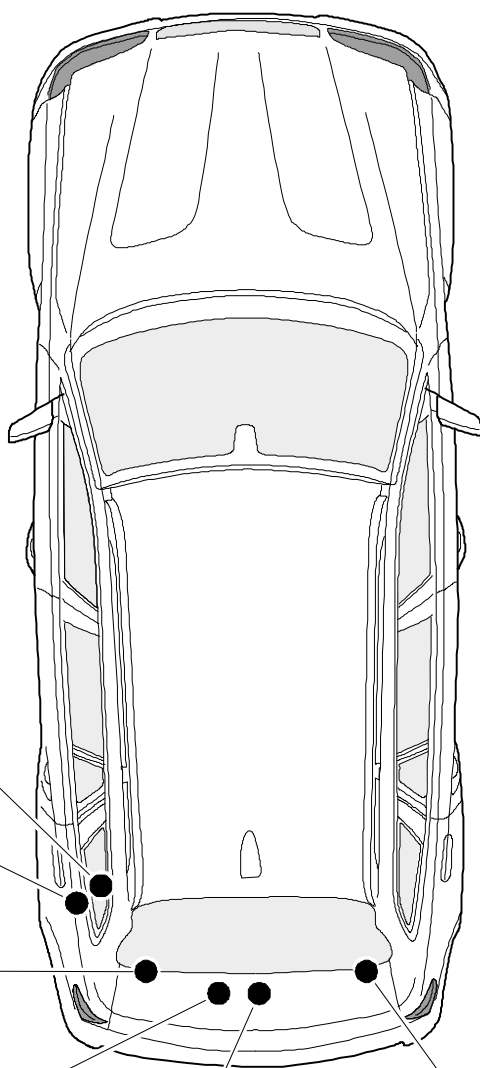
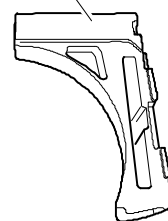
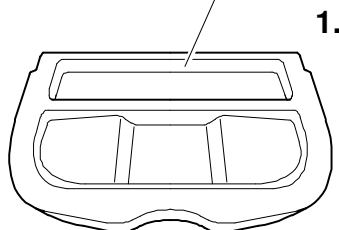
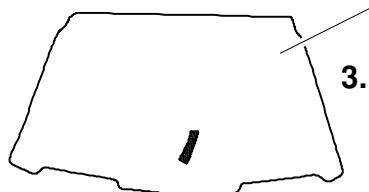
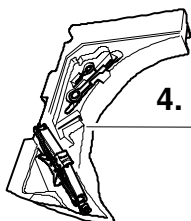
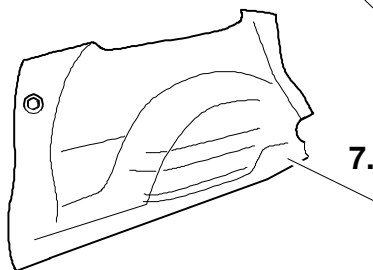
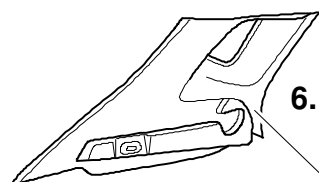
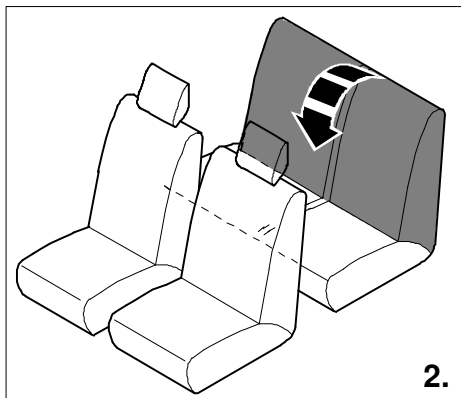
TOOLS



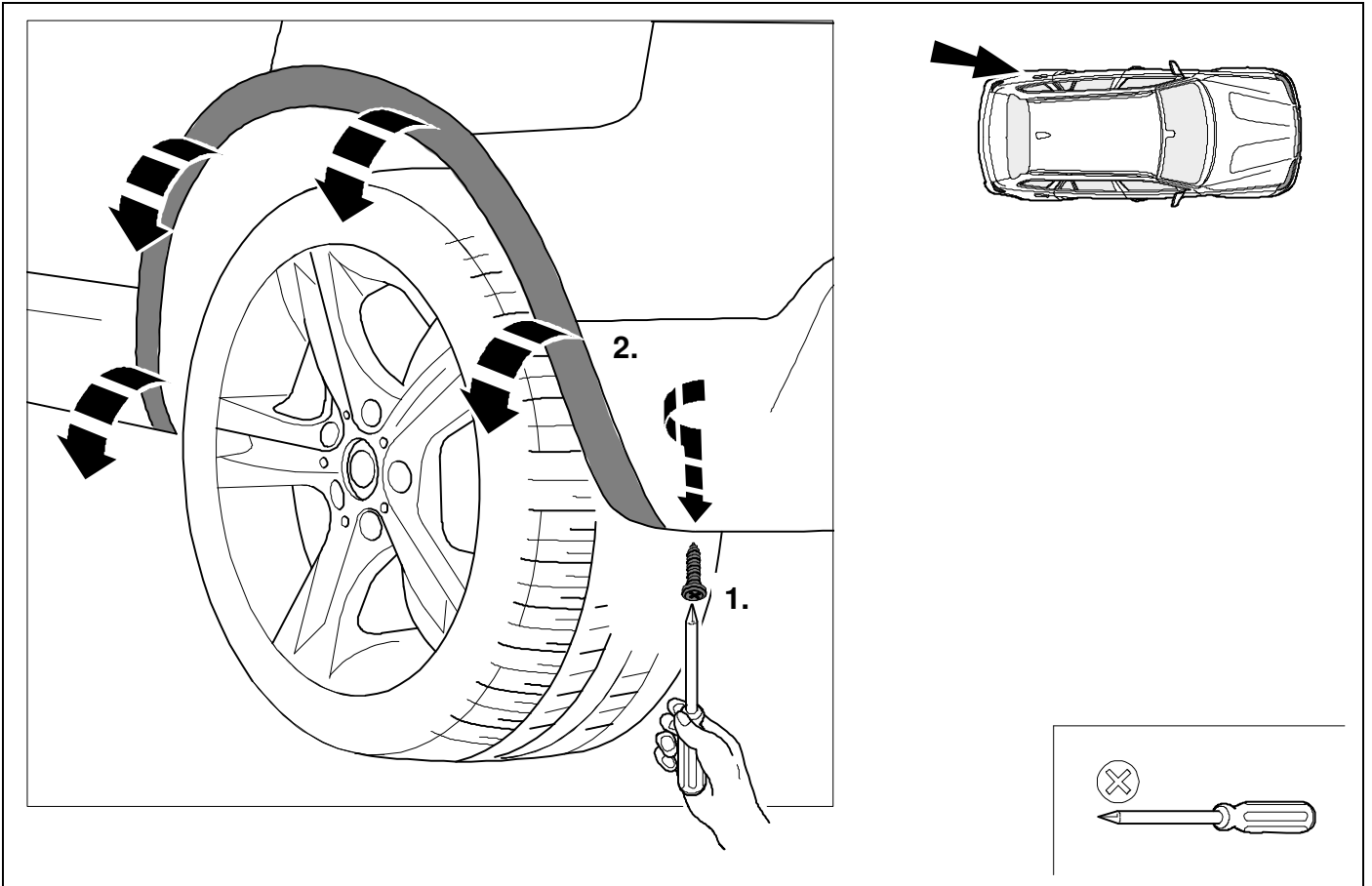
1



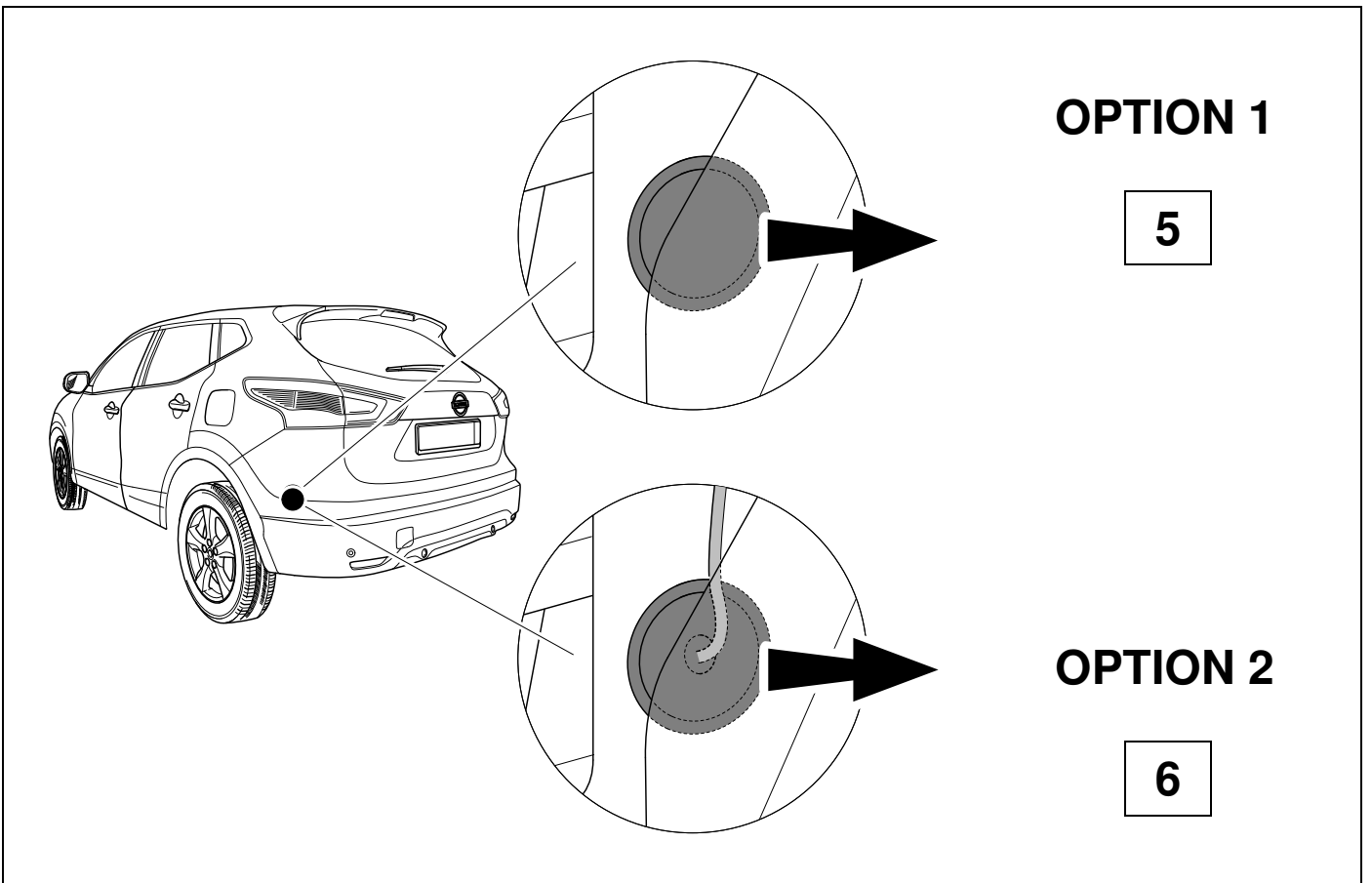
2 REMOVE

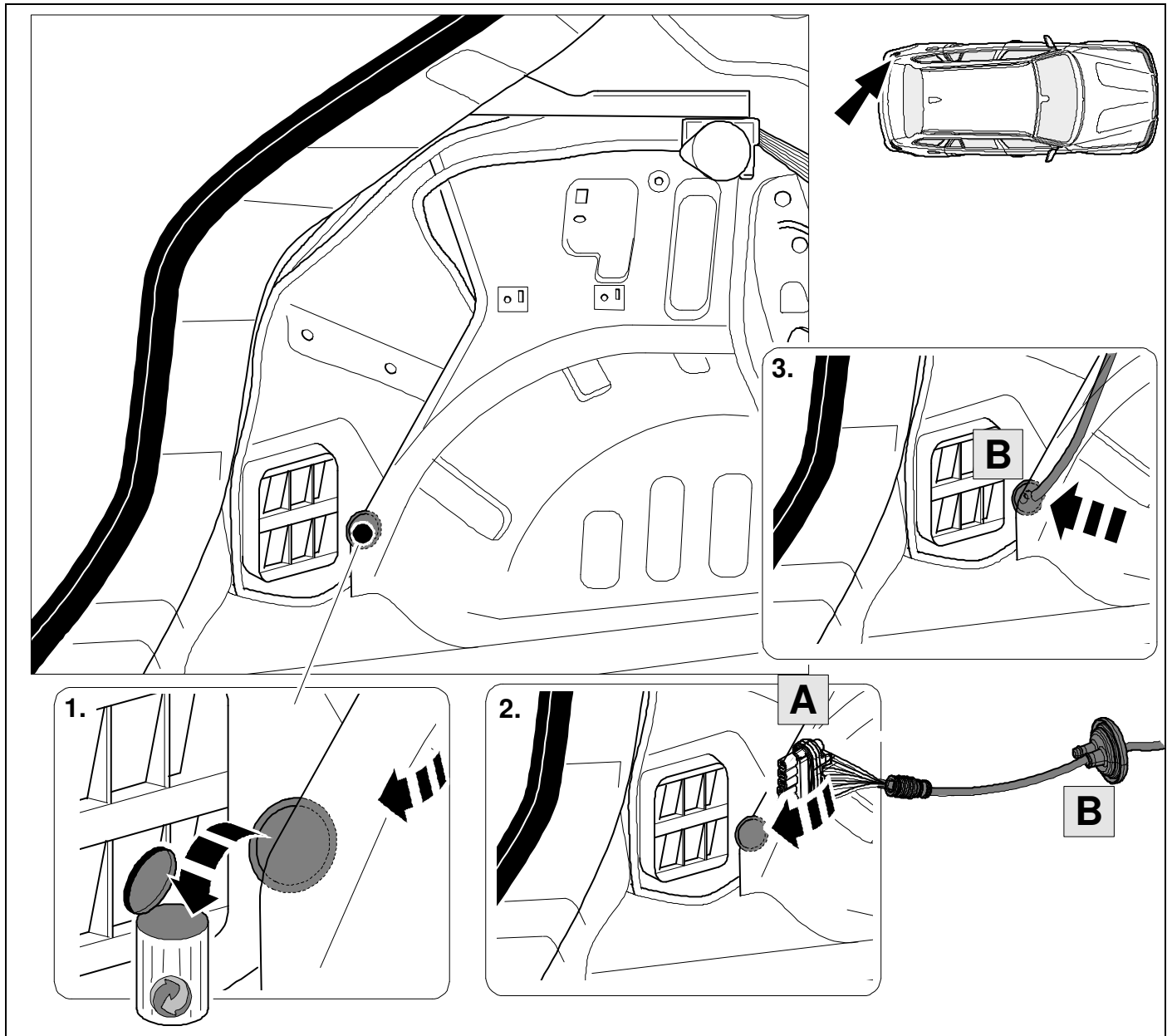


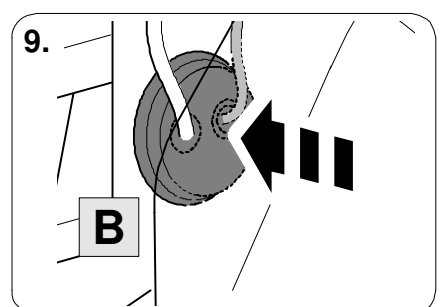
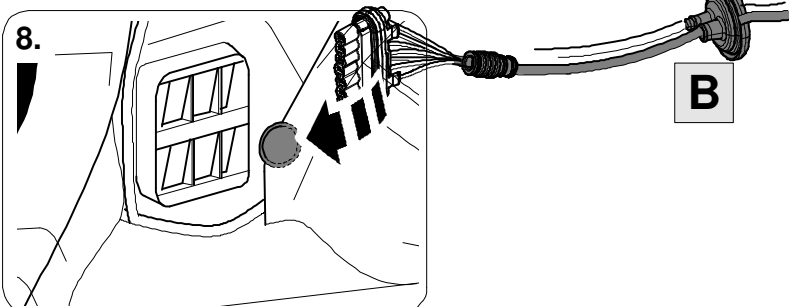
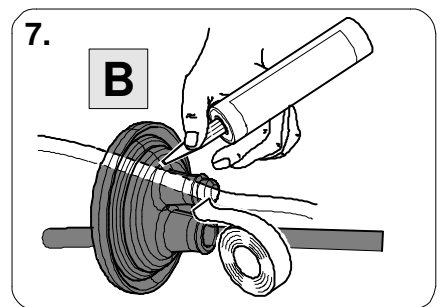
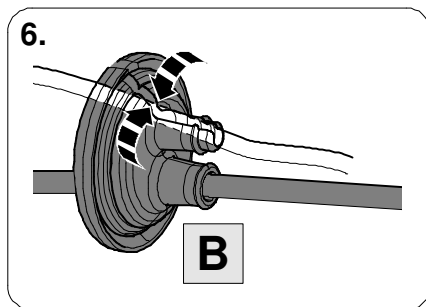
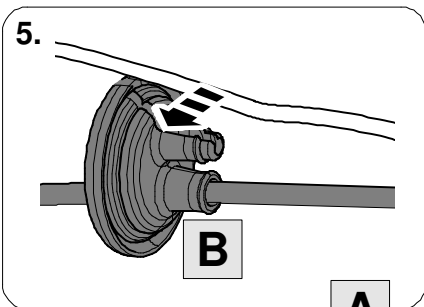
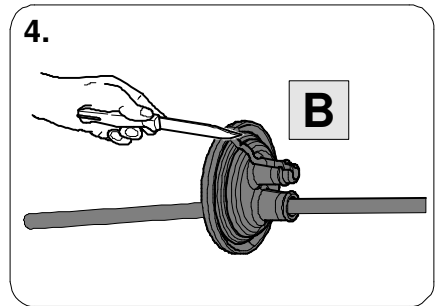
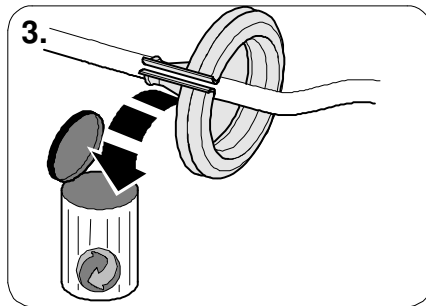
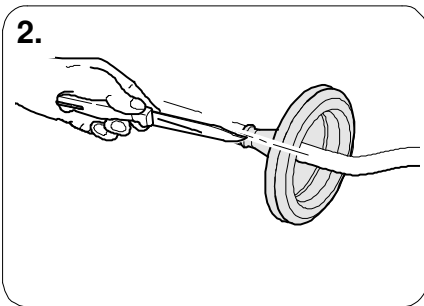
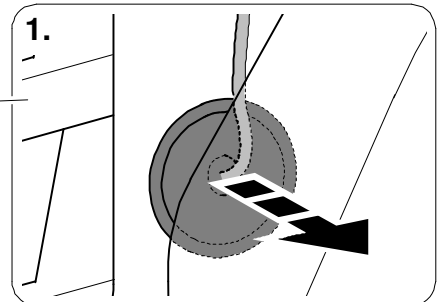
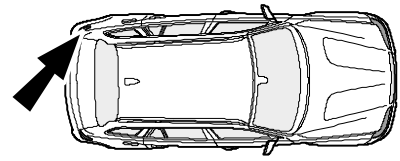
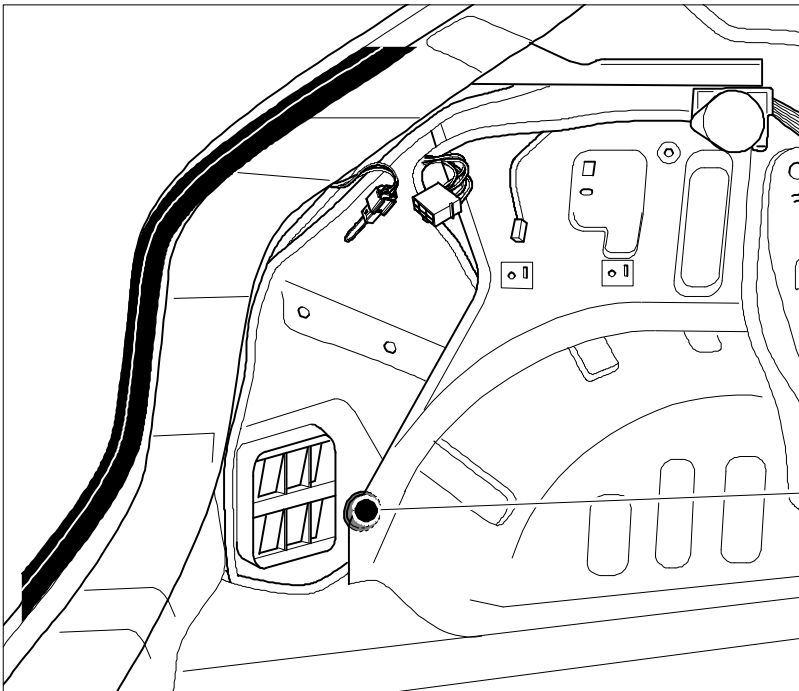
3



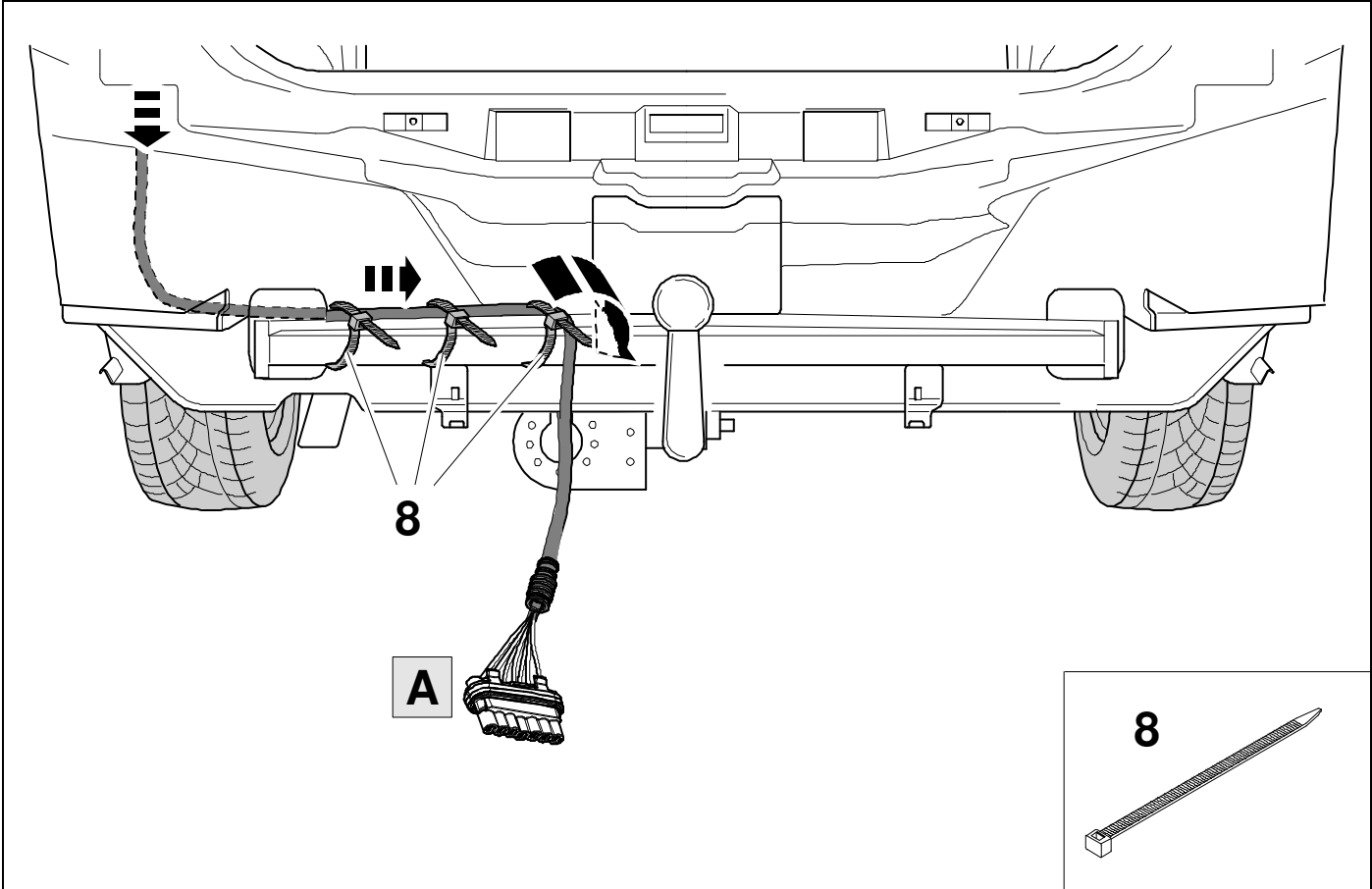
4





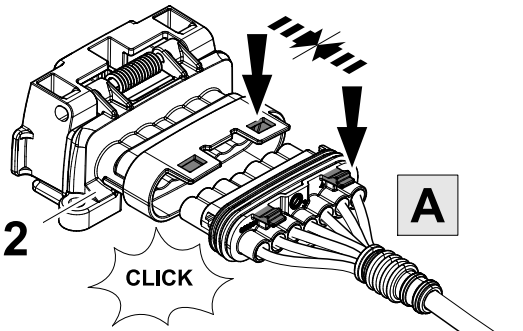


7

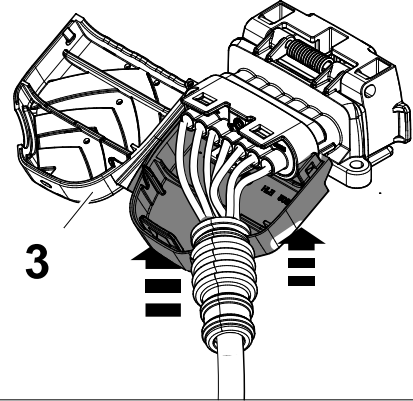




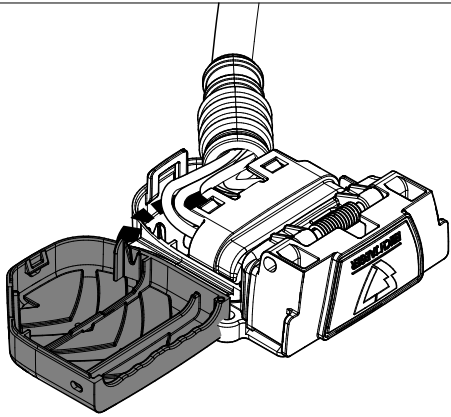
1.



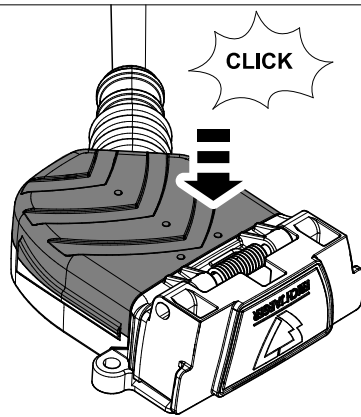
2.



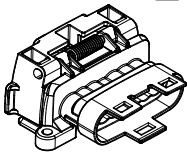
3.



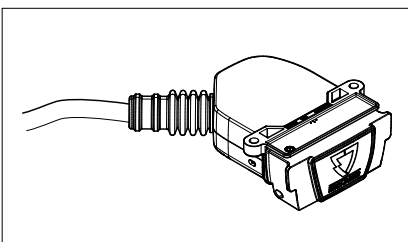
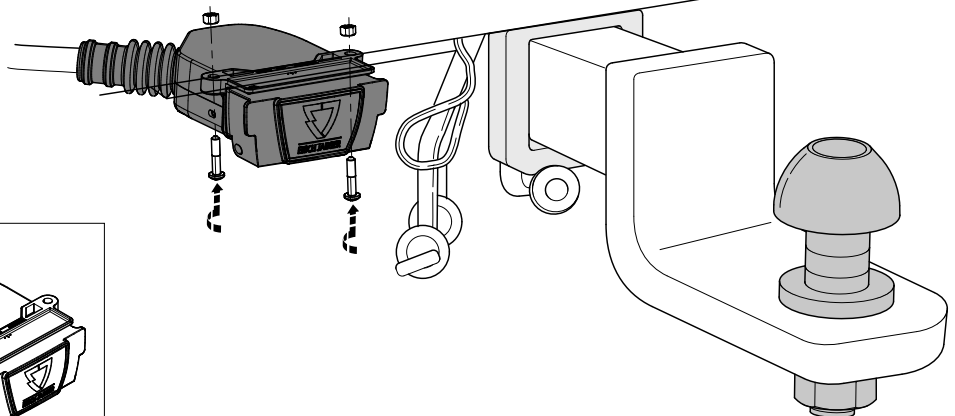
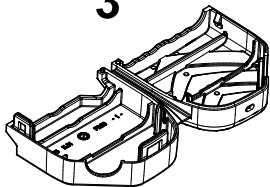
4.



2



3



10



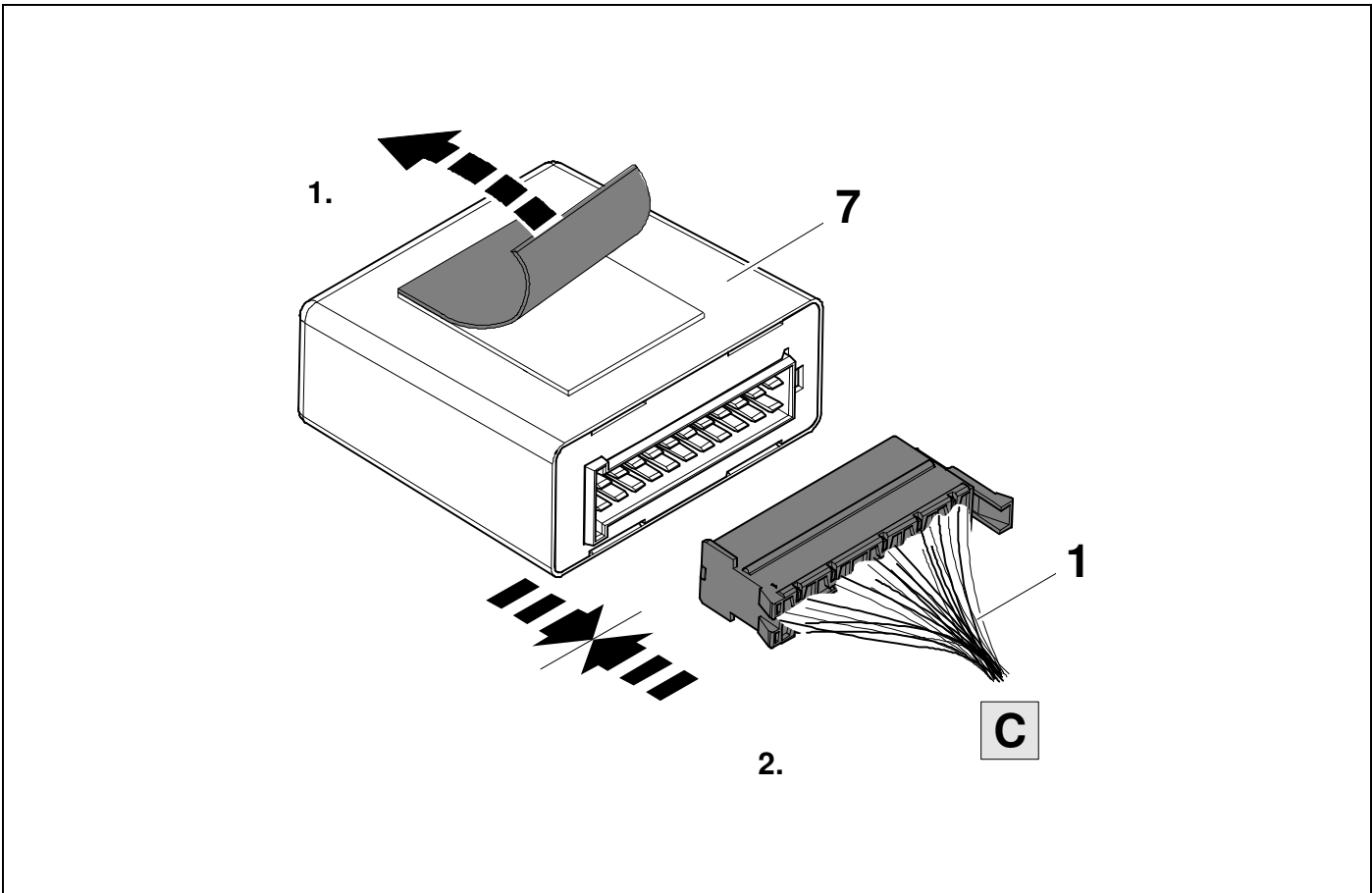
11

1	ye	
2	bk	
3	wh	
4	gn	
5	bu	
6	rd	
7	bn	

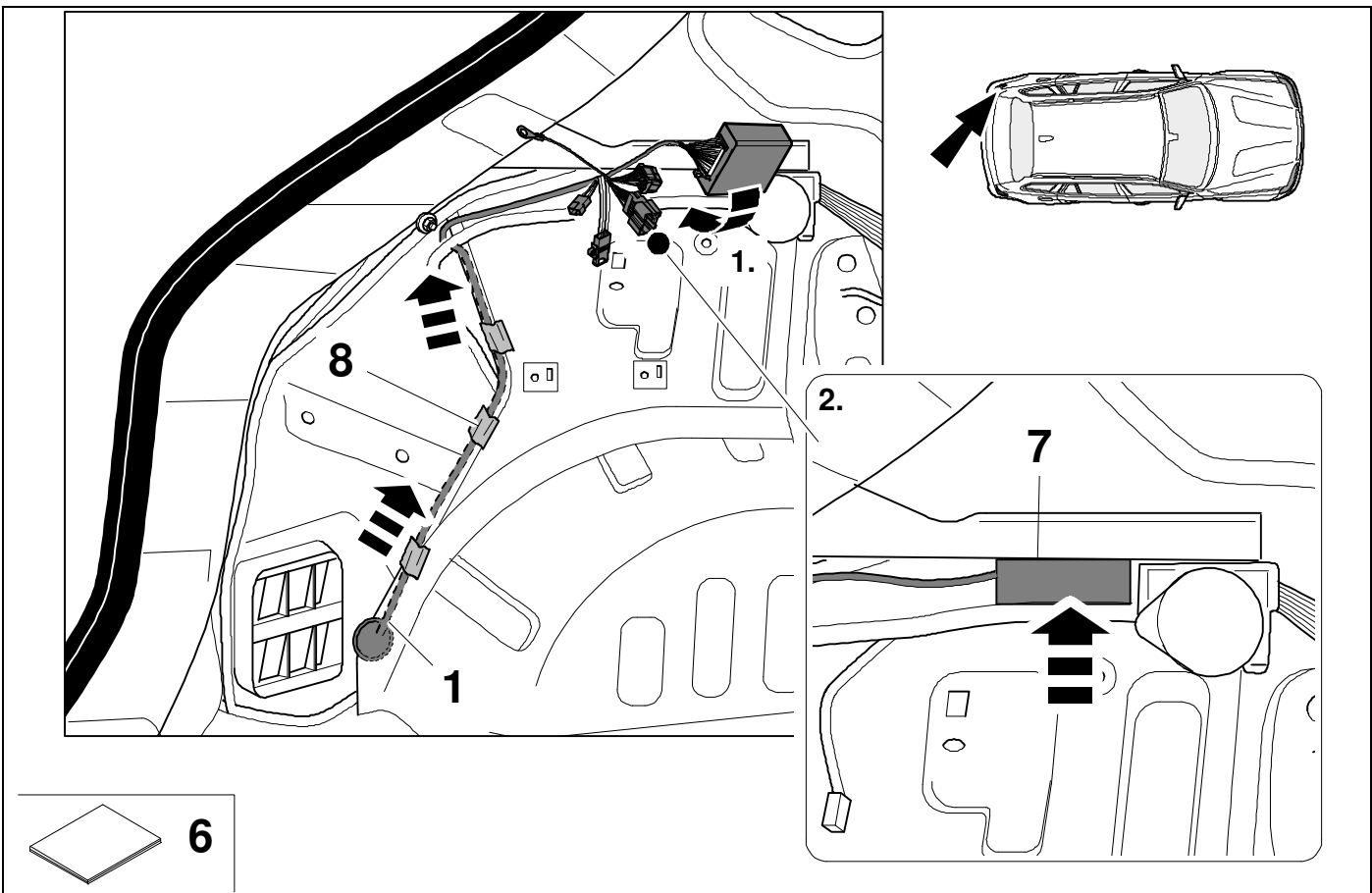
11	bk	wh	gy	gn	rd	bu	ye	bn	pu	or	no
----	----	----	----	----	----	----	----	----	----	----	----

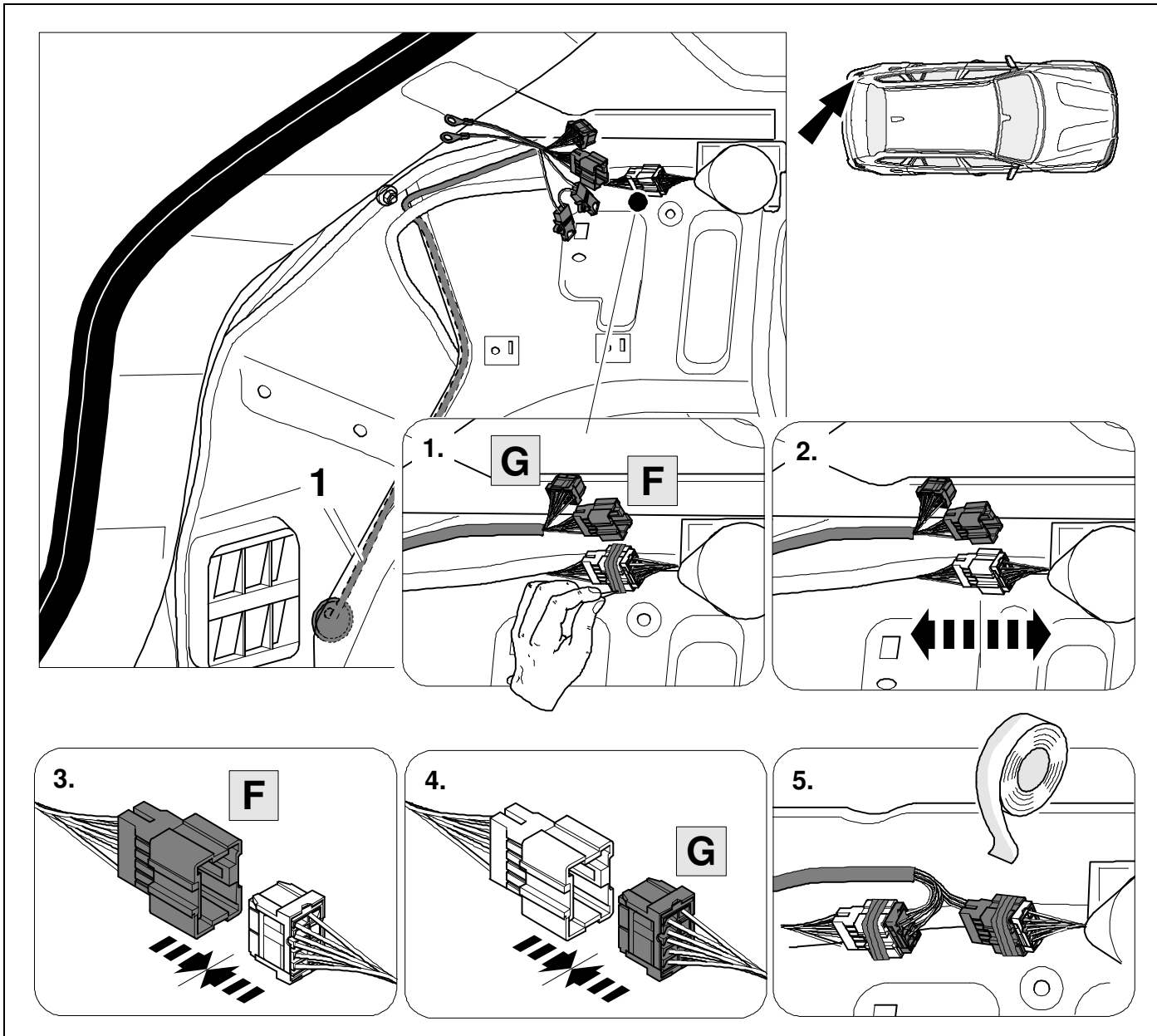
	black	white	grey	green	red	blue	yellow	brown	purple	orange	not occupied
--	-------	-------	------	-------	-----	------	--------	-------	--------	--------	--------------

12

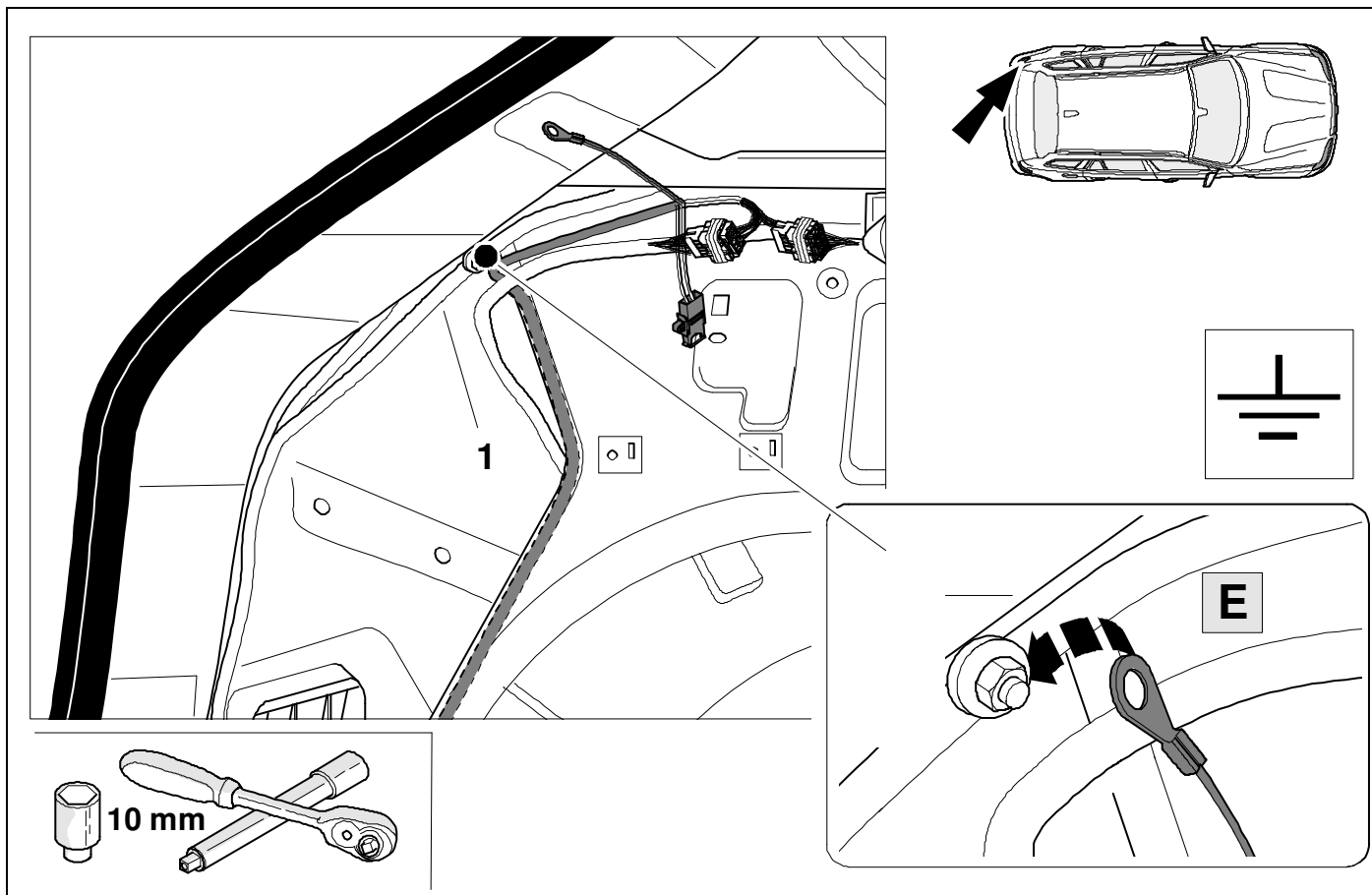


13





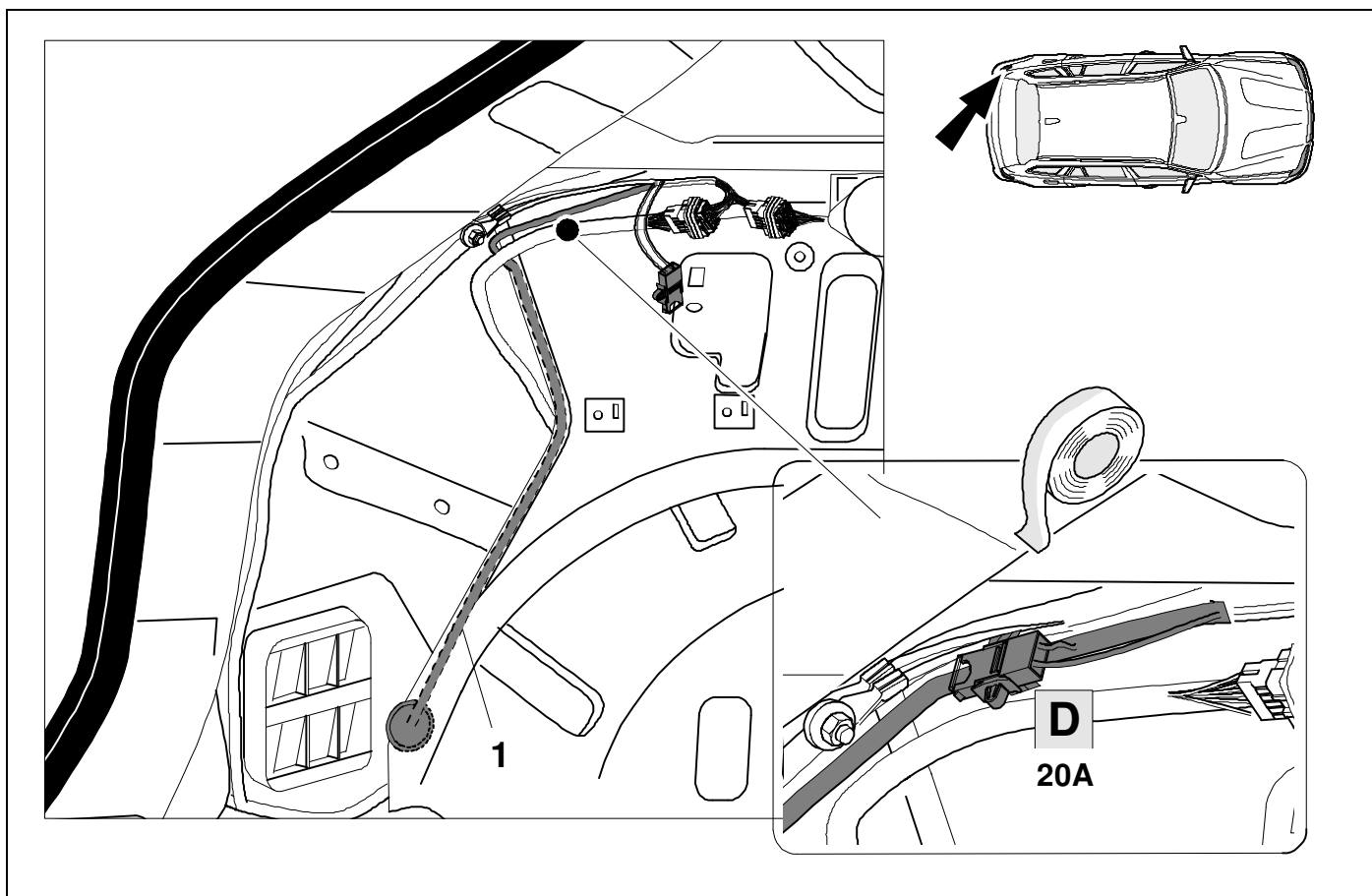
15

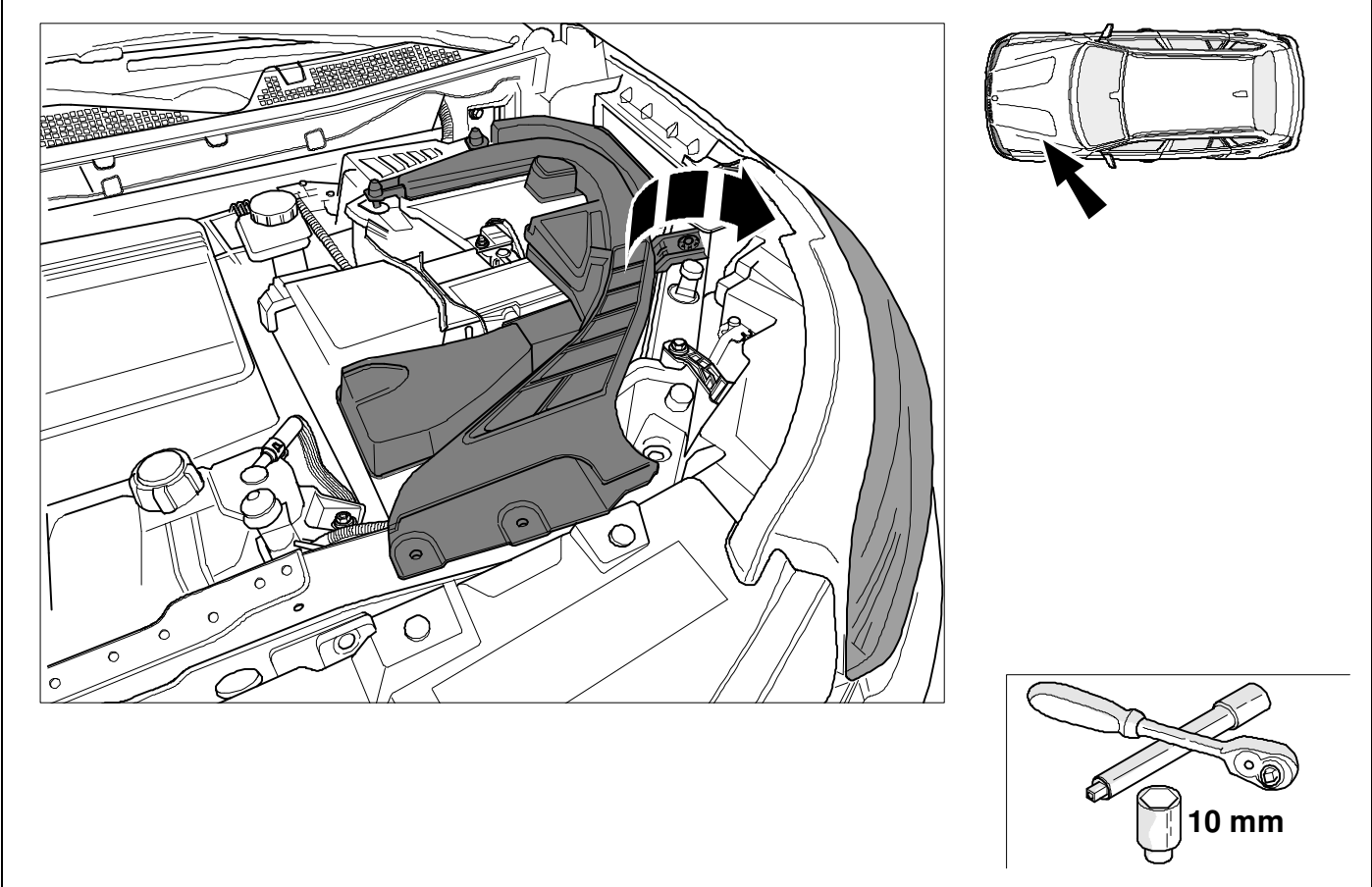


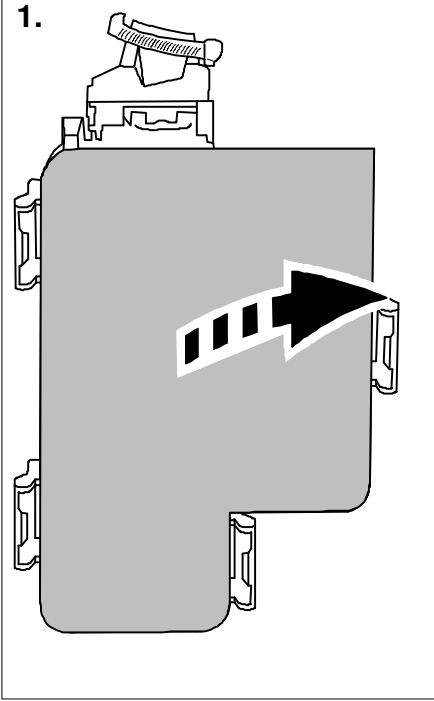
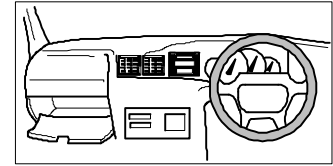
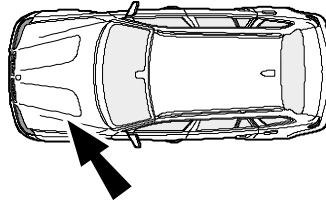
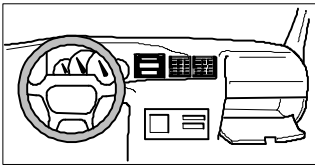
16



23

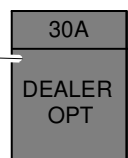
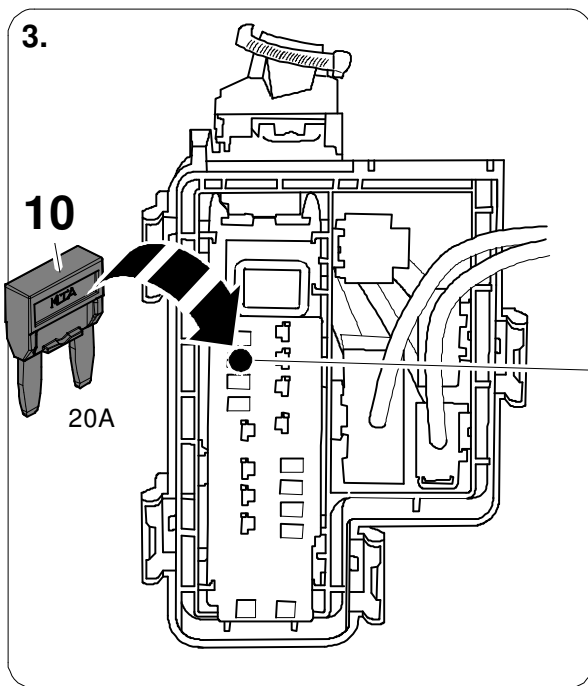
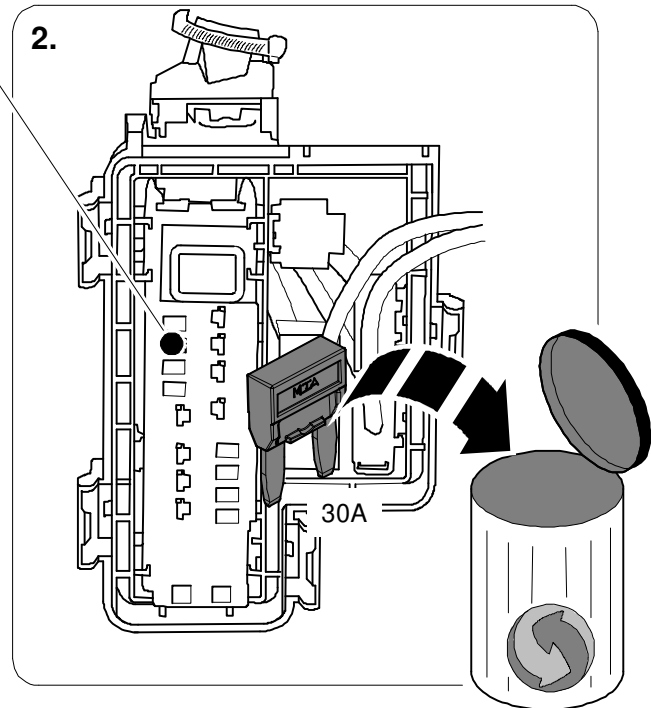
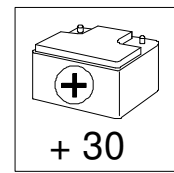






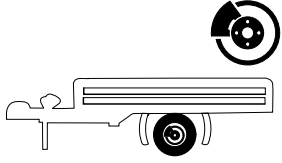
50A	30A	40A			15A	30A	30A	
POWER WDW	IGN SW	VDC MOTOR			ANTI THEFT HORN	DEALER OPT	EPKB	HORN RELAY
30A	30A	30A	15A	30A	50A	30A	50A	
PTC	PTC	PTC	HORN	HEAD LAMP WASH	EPS	VDC SOL	EPS	

← FR 1. USE SPECIFIED FUSIBLE LINKS AND FUSES ONLY. 24382 4BAOA
2. CONTACT A DEALER FOR SYSTEM NOT LISTED.

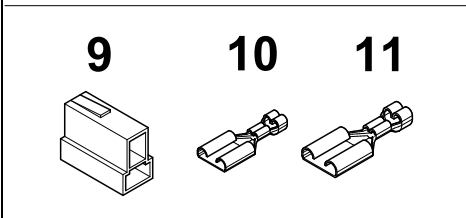
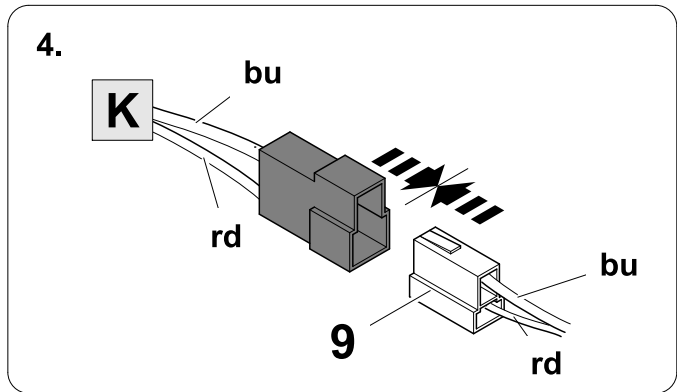
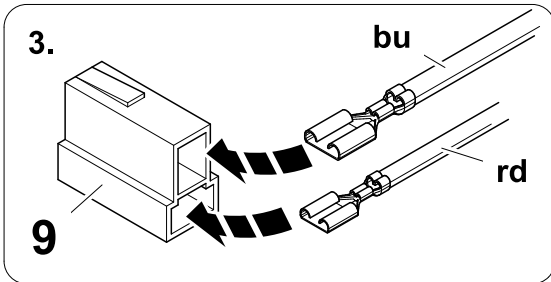
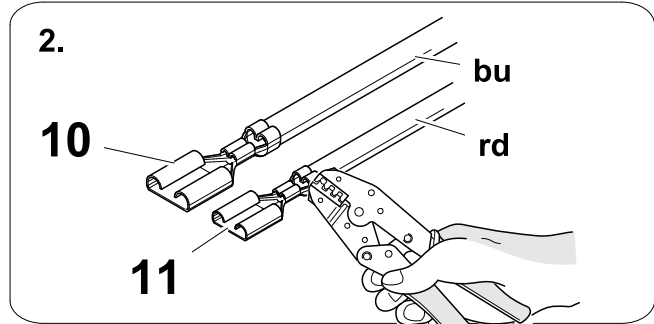
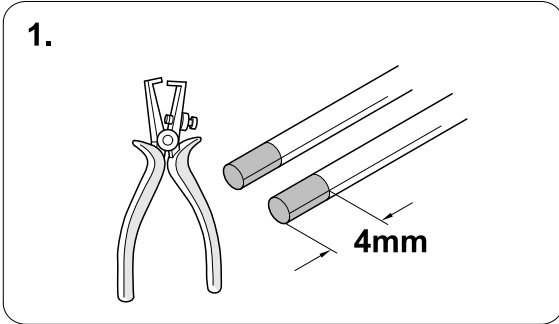
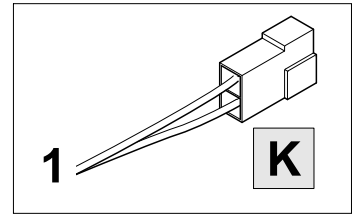




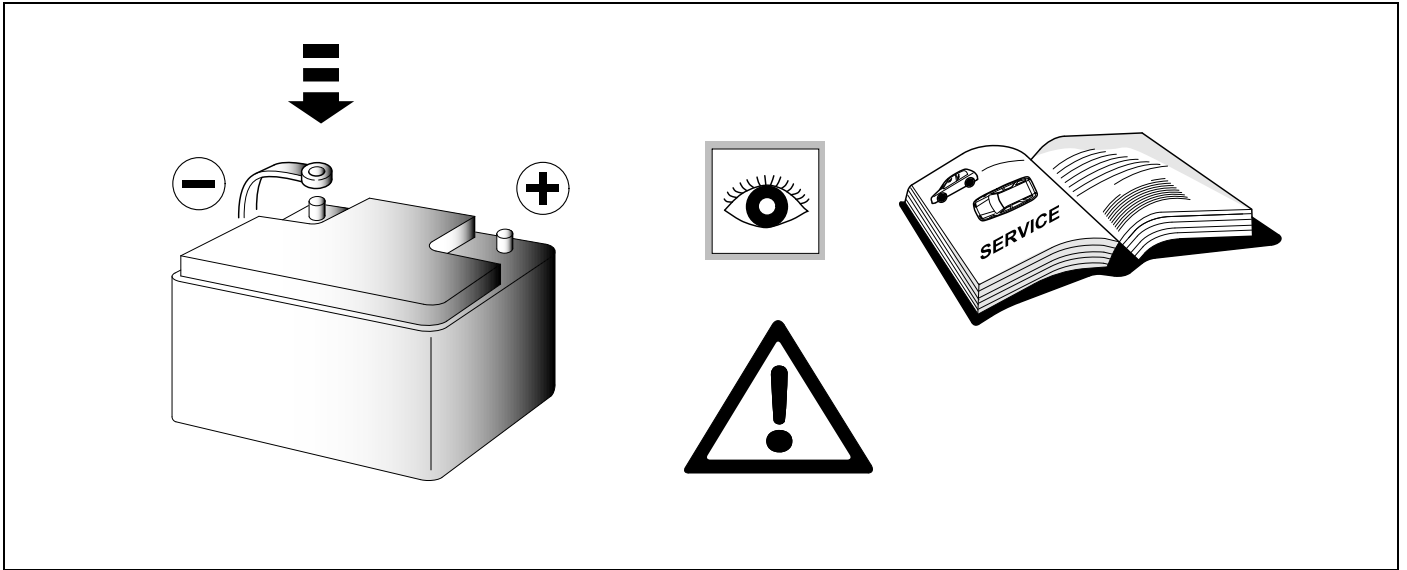
**BRAKE
CONTROLLER
PREPARED**



Trailer Brake Preparation

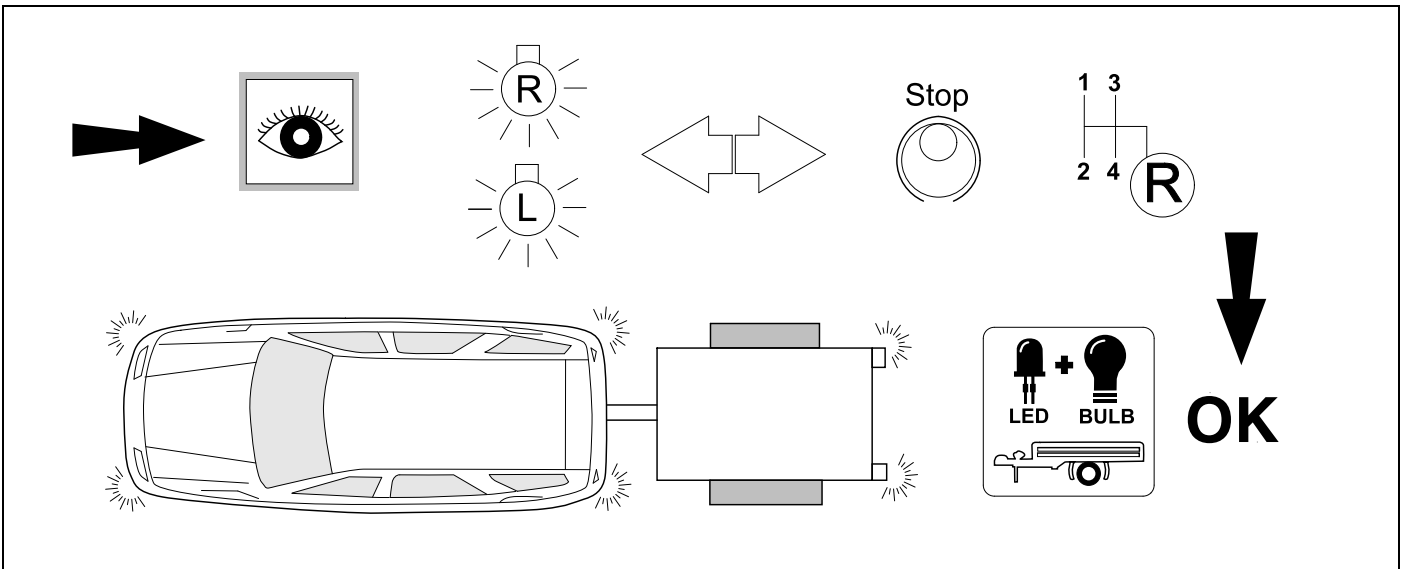


20



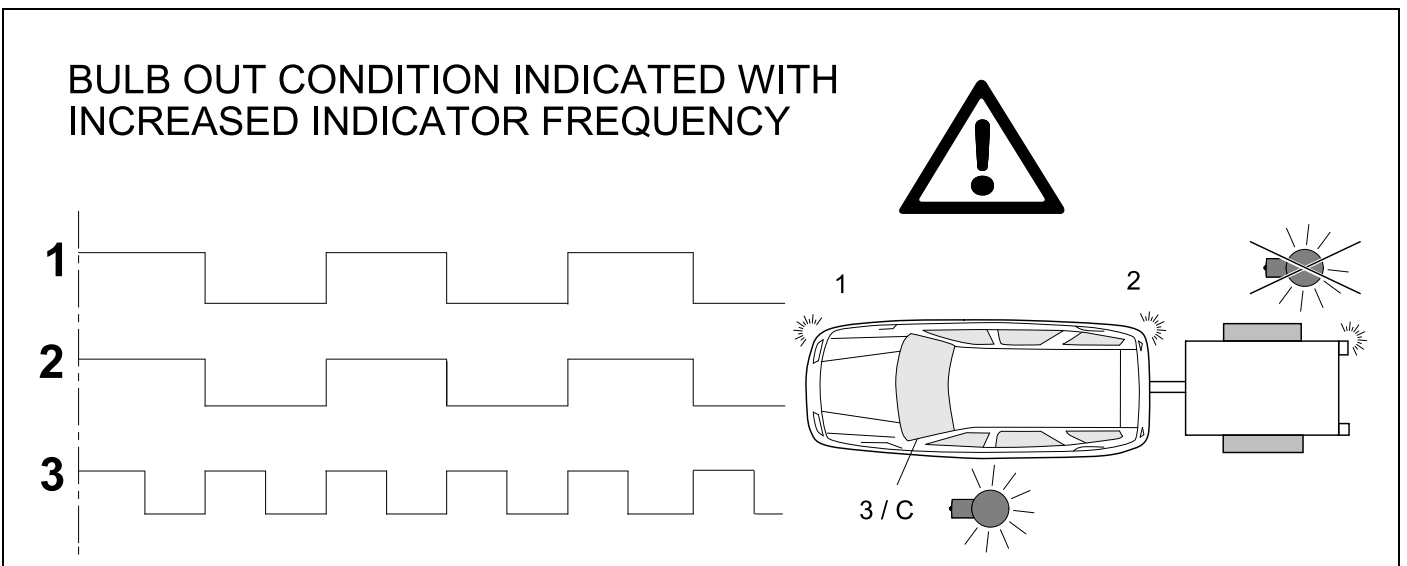
21

CHECK ALL LIGHTING FUNCTIONS



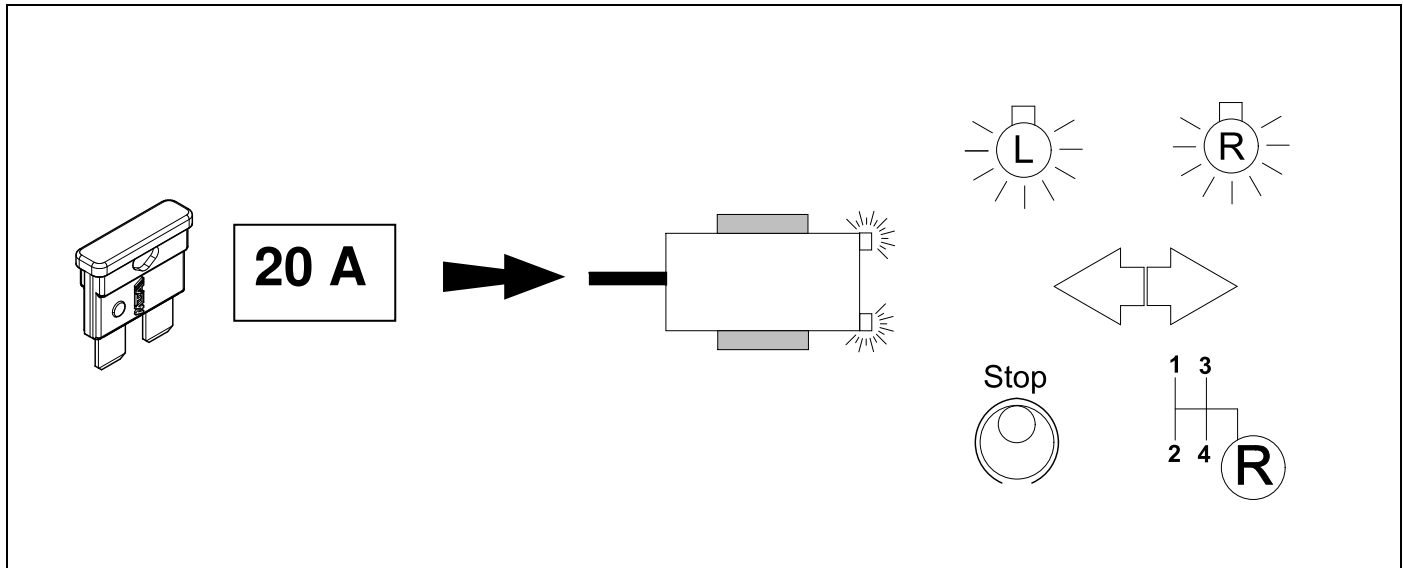
22

CHECK BULB OUT DETECTION

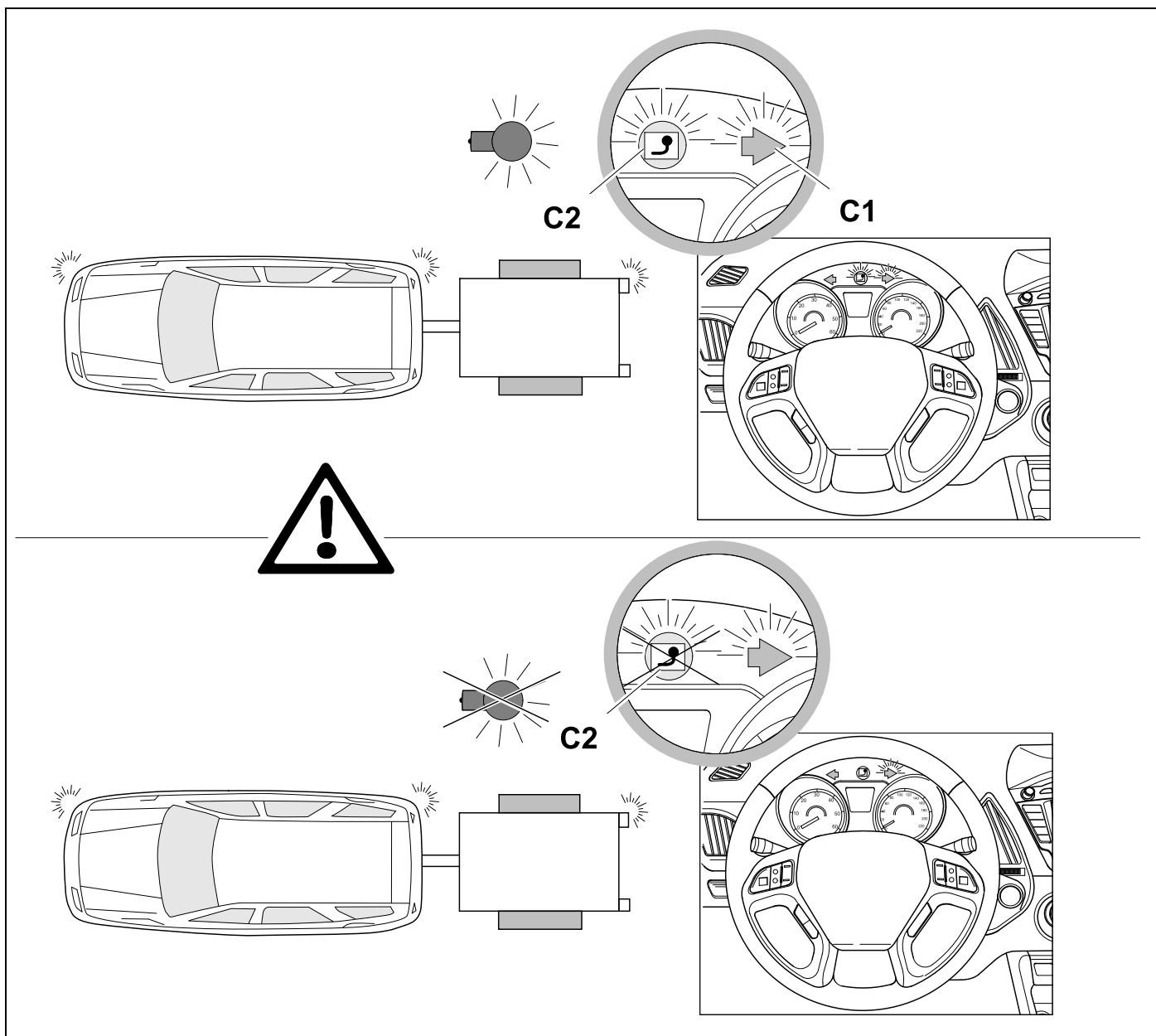


23

👁️ ⇒ 16 + 18

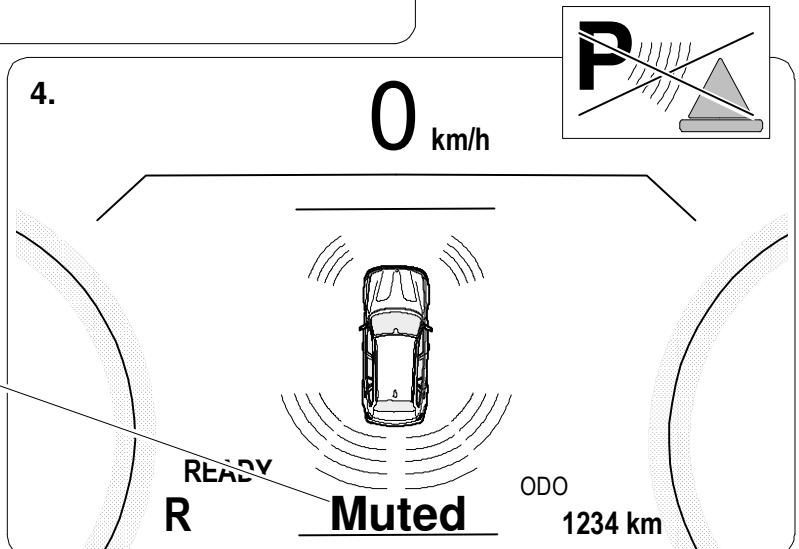
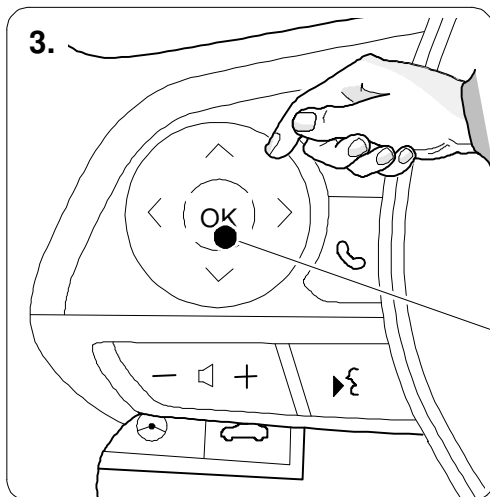
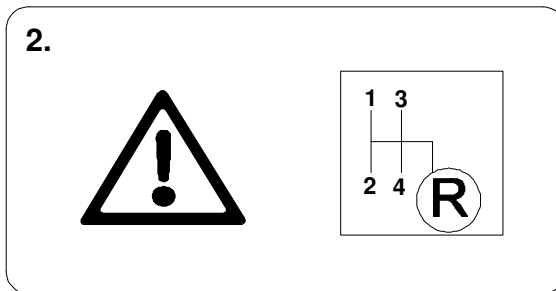
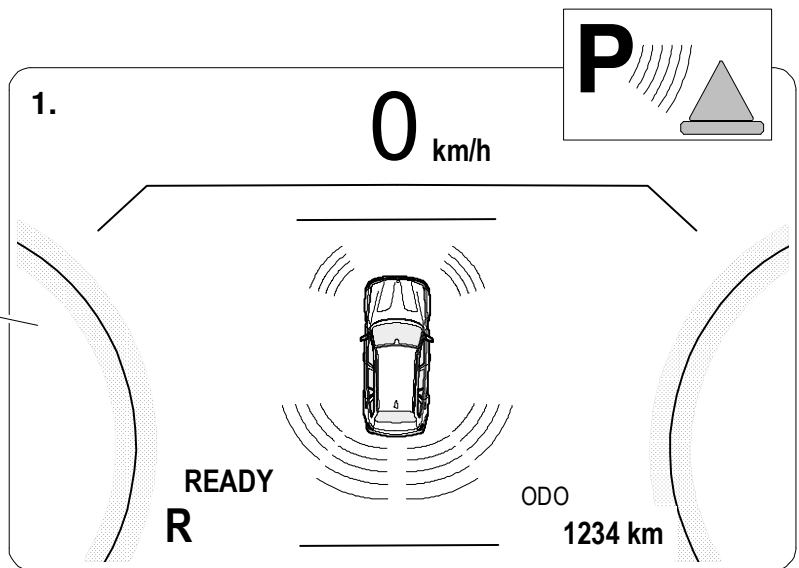
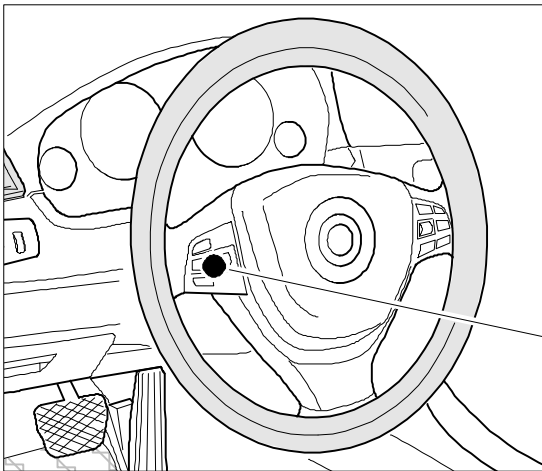
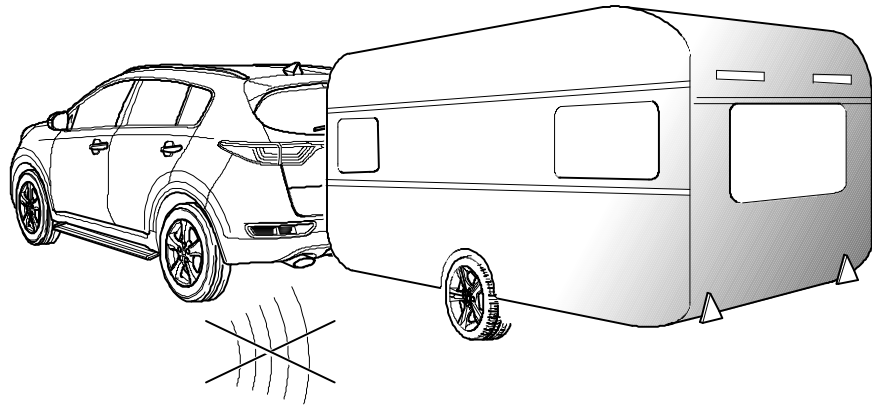


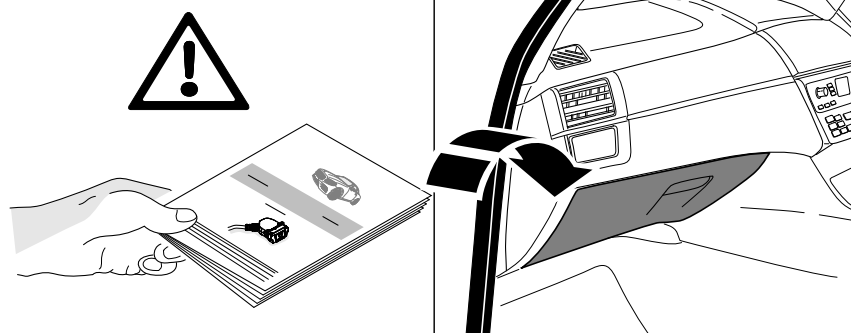
24 CHECK



25 PDC INFORMATION

PDC





Subject to change in terms of construction, equipment and colour, and may contain errors.
The information and illustrations are non-binding.