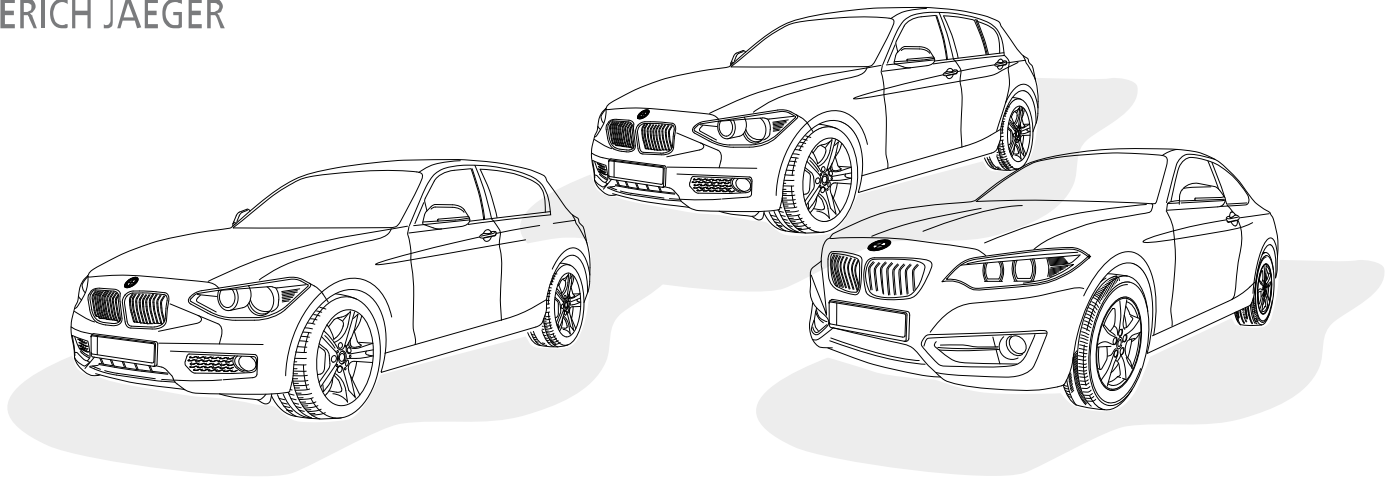




ERICH JAEGER

Installation instructions

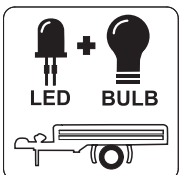
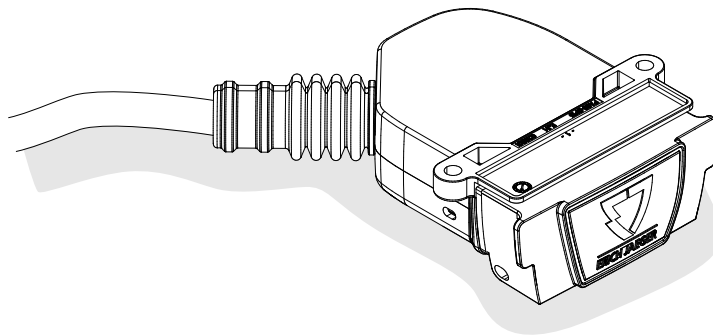


750120

BMW 1-Serie 5-Türer / Door	F20	03/14 >>
BMW 1-Serie 3-Türer / Door	F21	03/14 >>
BMW 2-Serie Coupe	F22	03/14 >>
BMW 2-Serie Cabrio	F23	03/14 >>



SCAN FOR LATEST INSTRUCTIONS

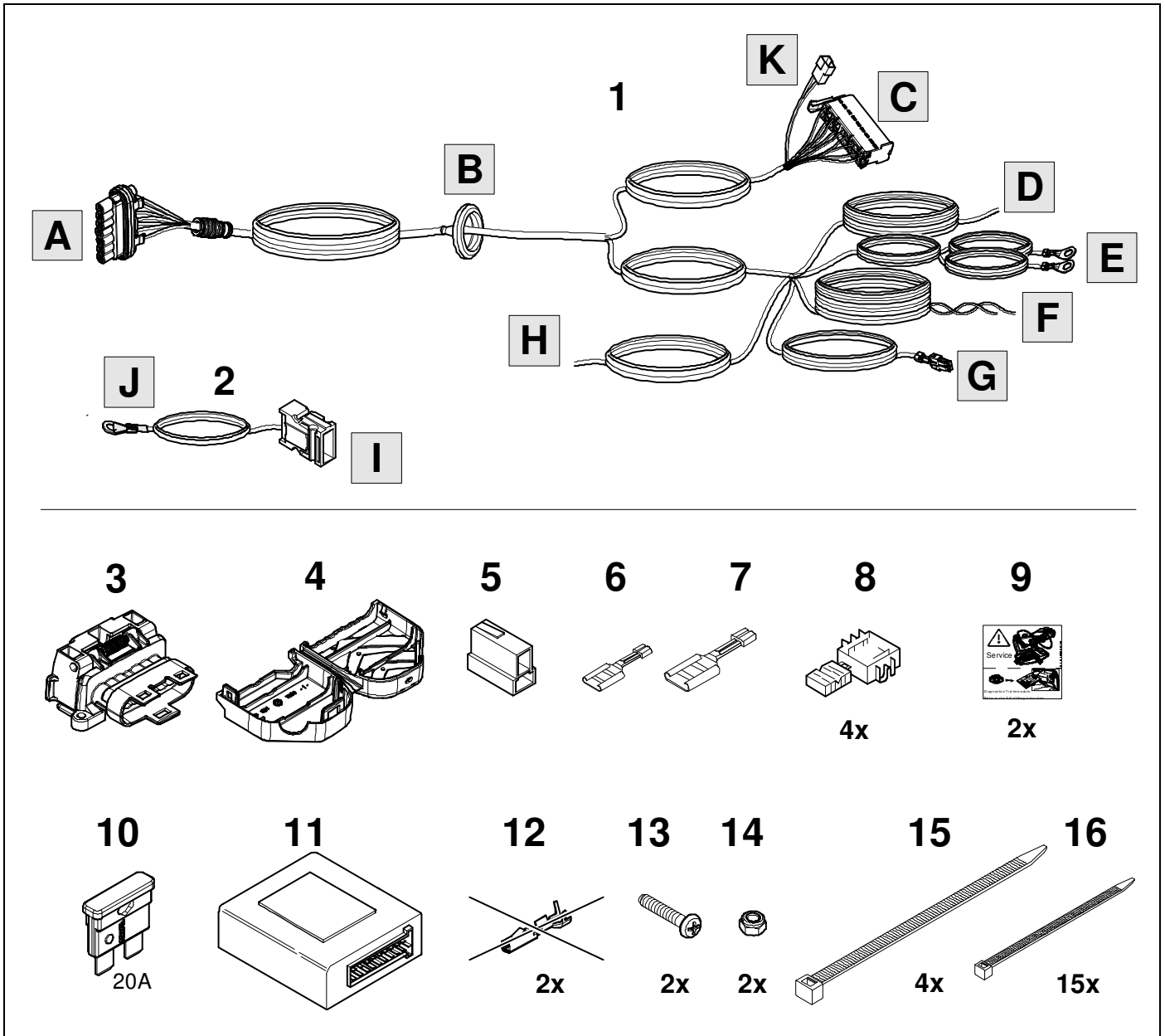


Reference:

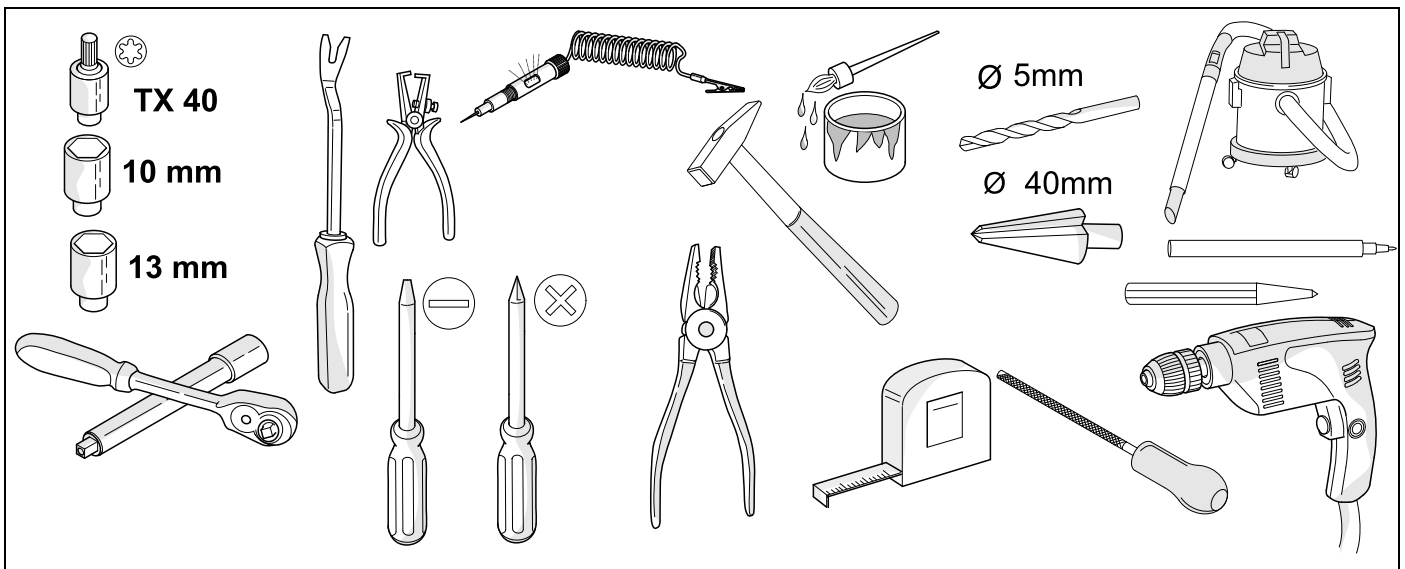
The following information must be reviewed before beginning the assembly:

- The installation instructions are to be thoroughly read.
- The installation should be carried out by qualified personnel with the relevant technical knowledge.
- The vehicle manufacturers' current technical notices and information on retrofitting must be followed.
- The removal and replacement instructions found in the current repair manuals must be followed.
- It must be ensured that the vehicle is technically suitable for the installation of a trailer hitch.

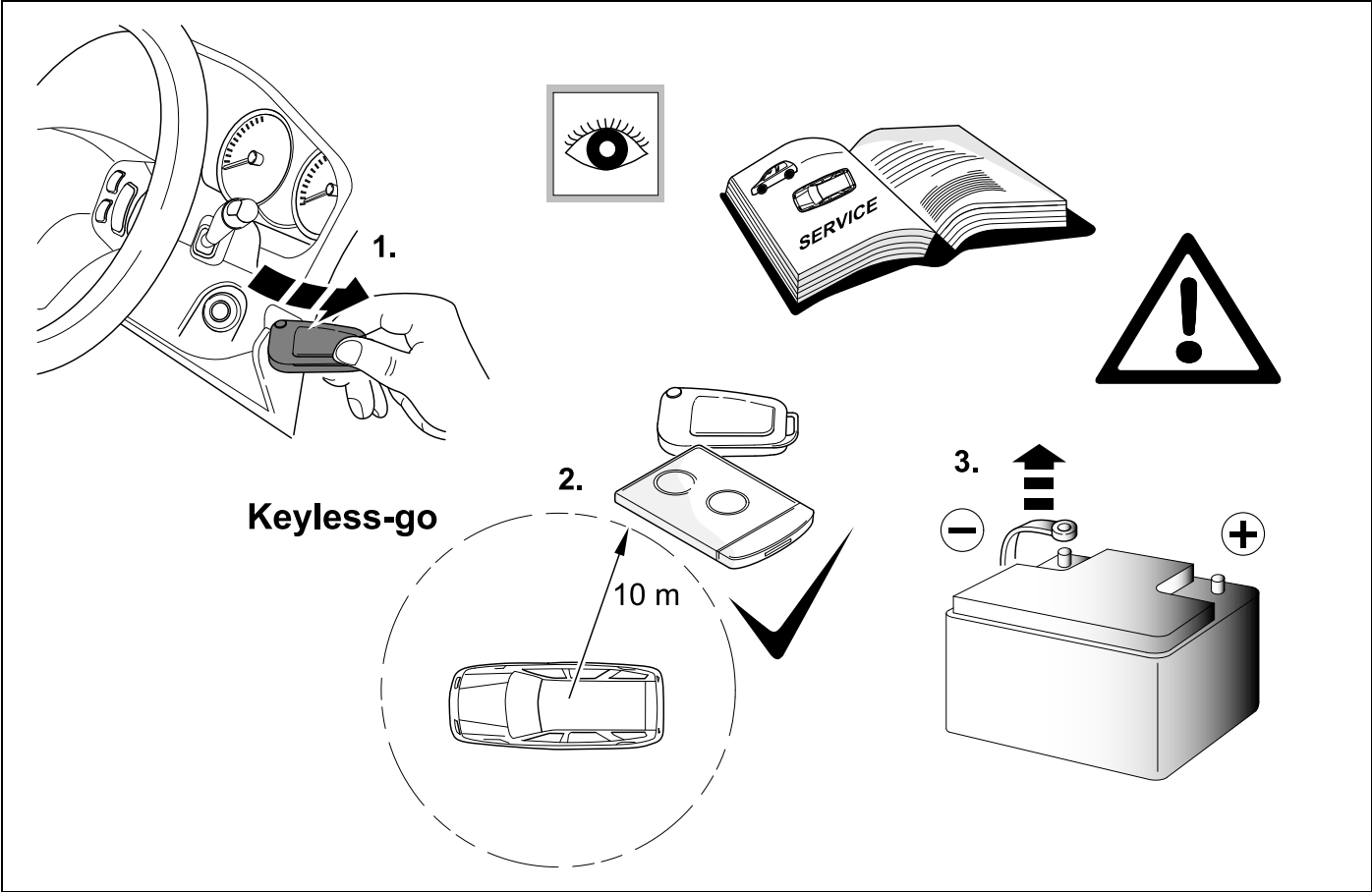
KIT



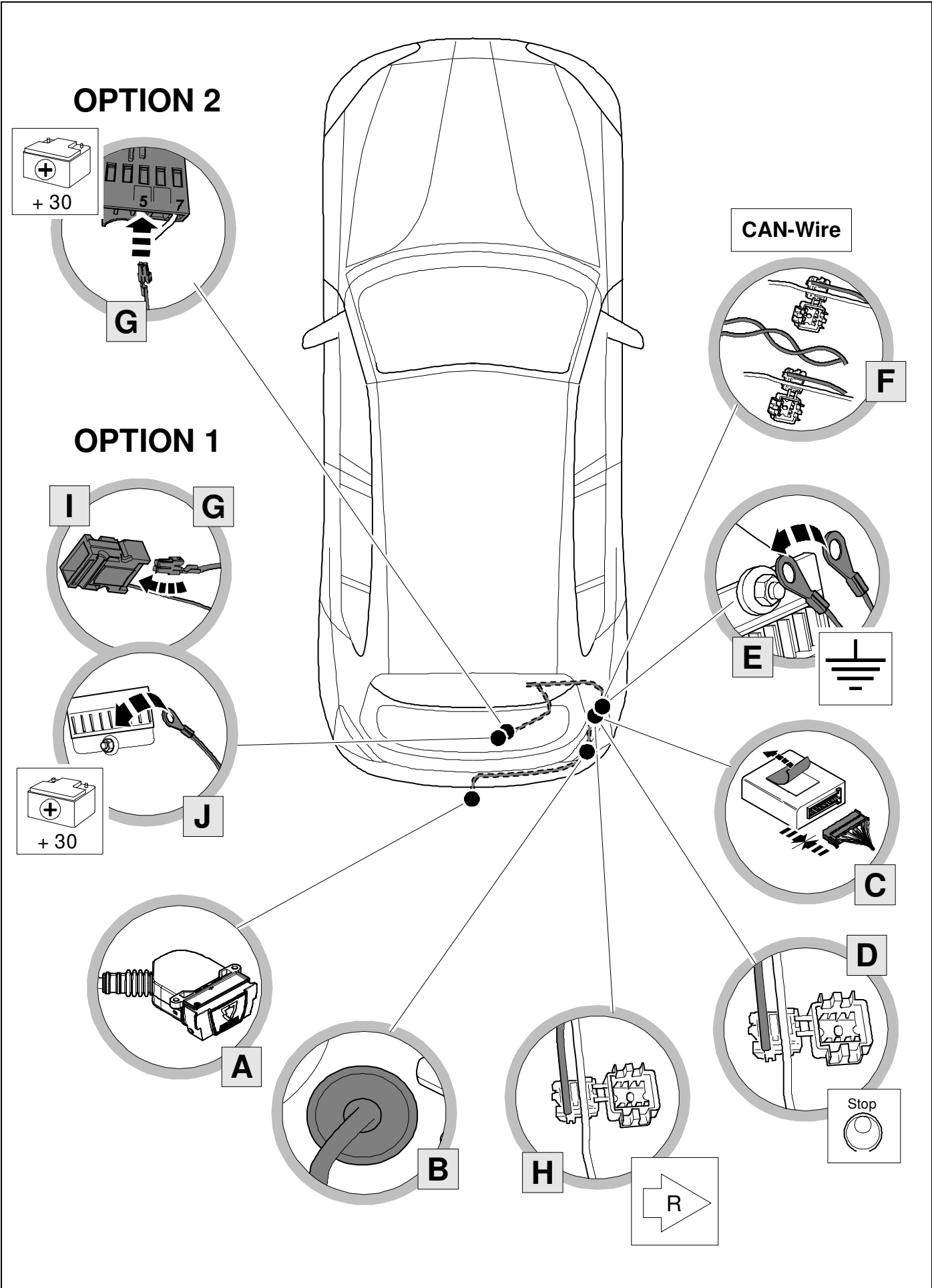
TOOLS



1



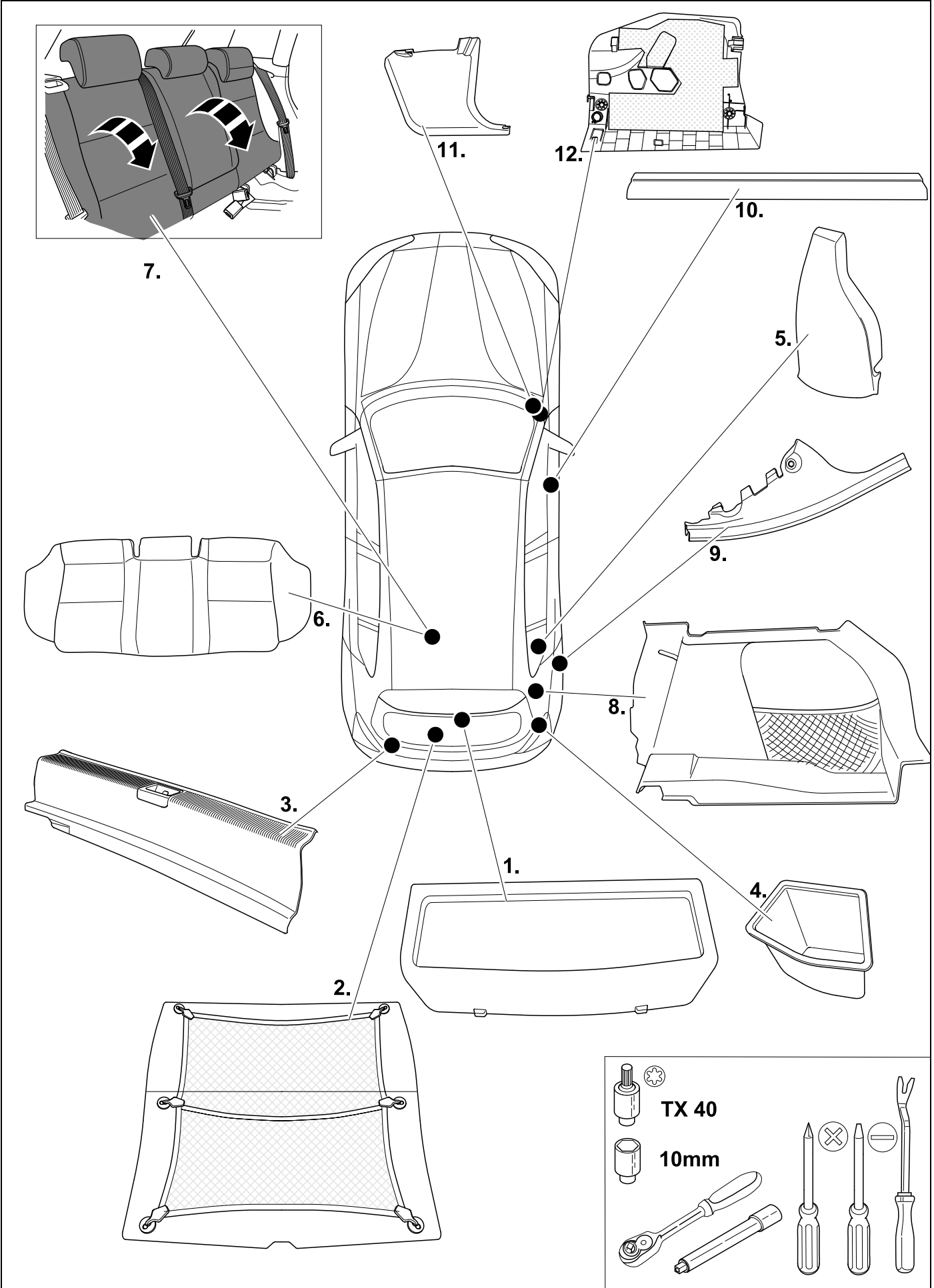
2 ROUTING



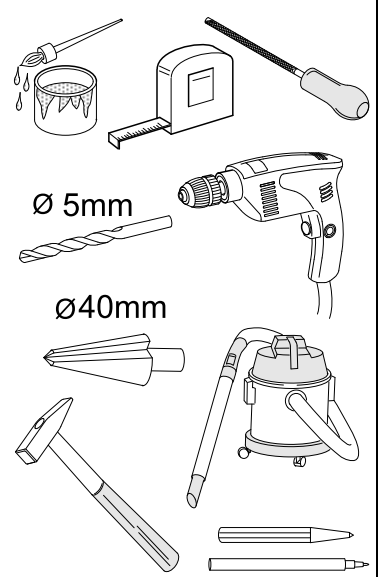
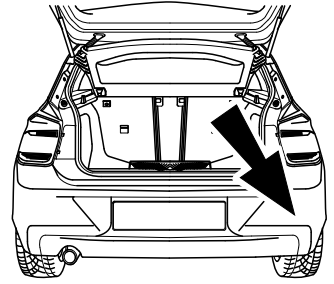
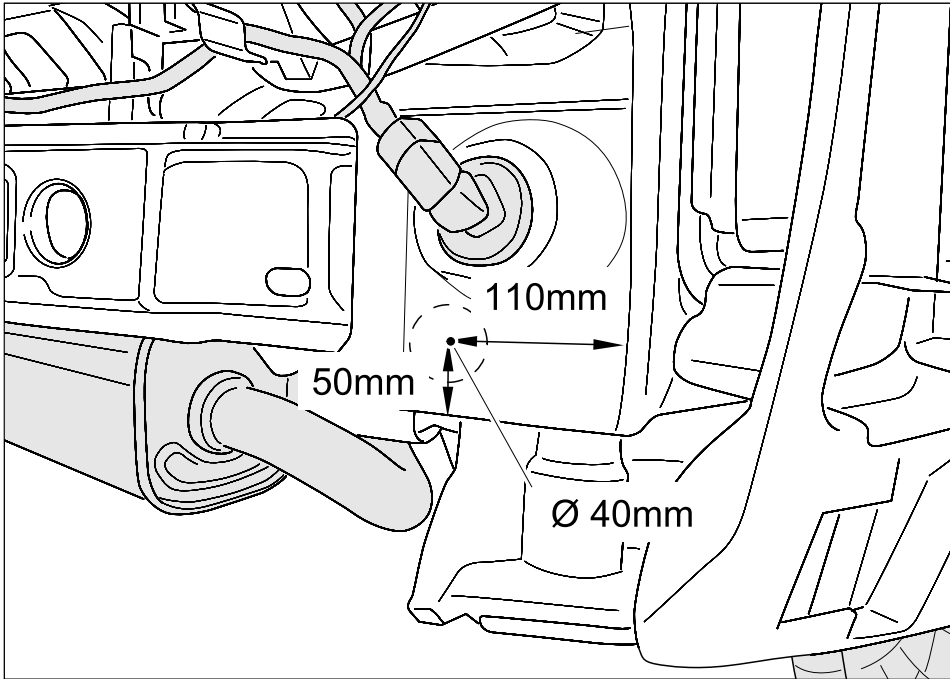
++

3

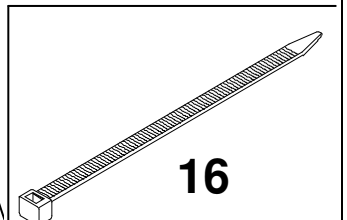
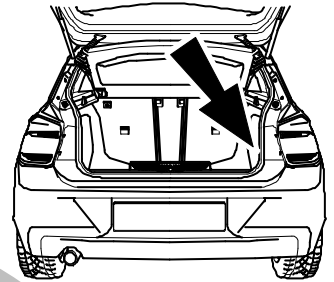
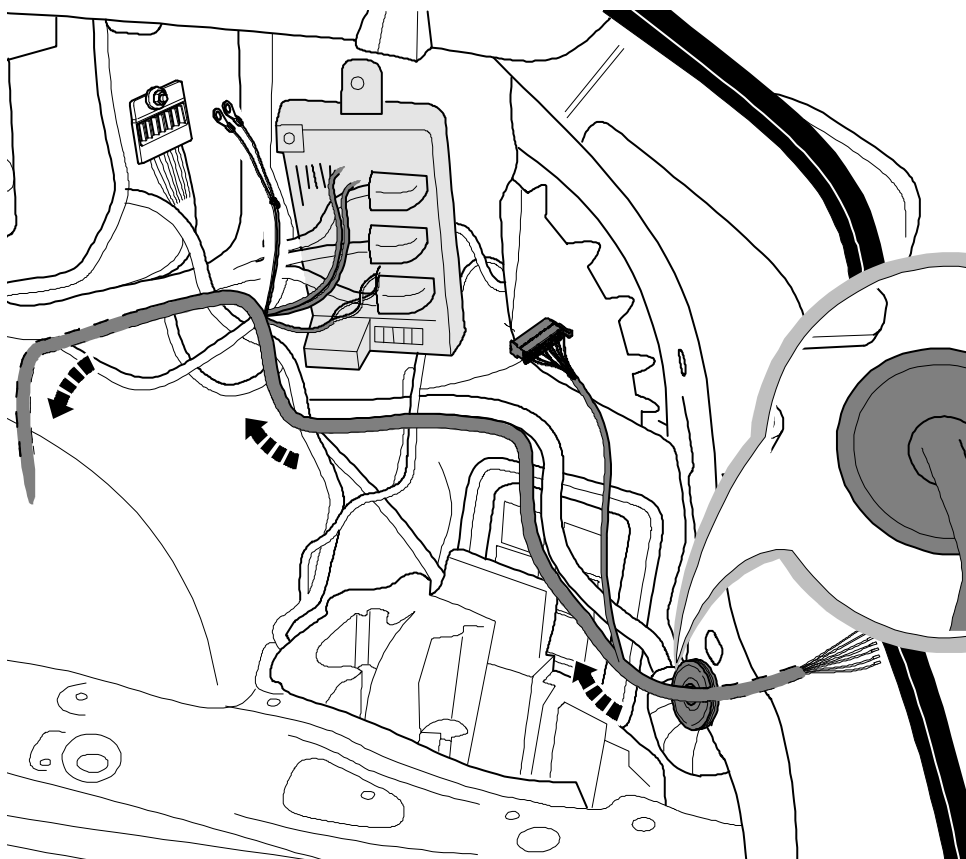
REMOVE



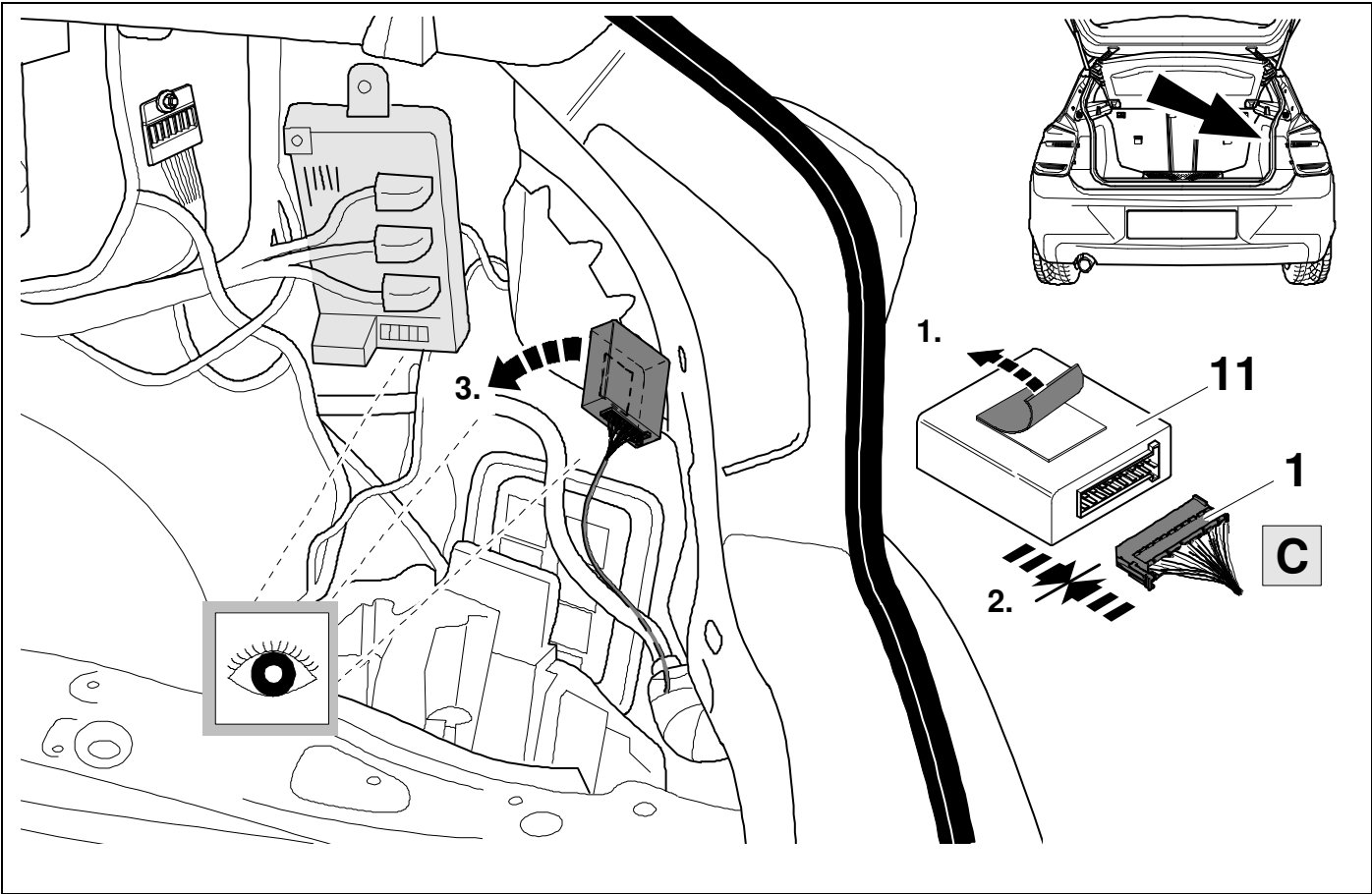
4



5

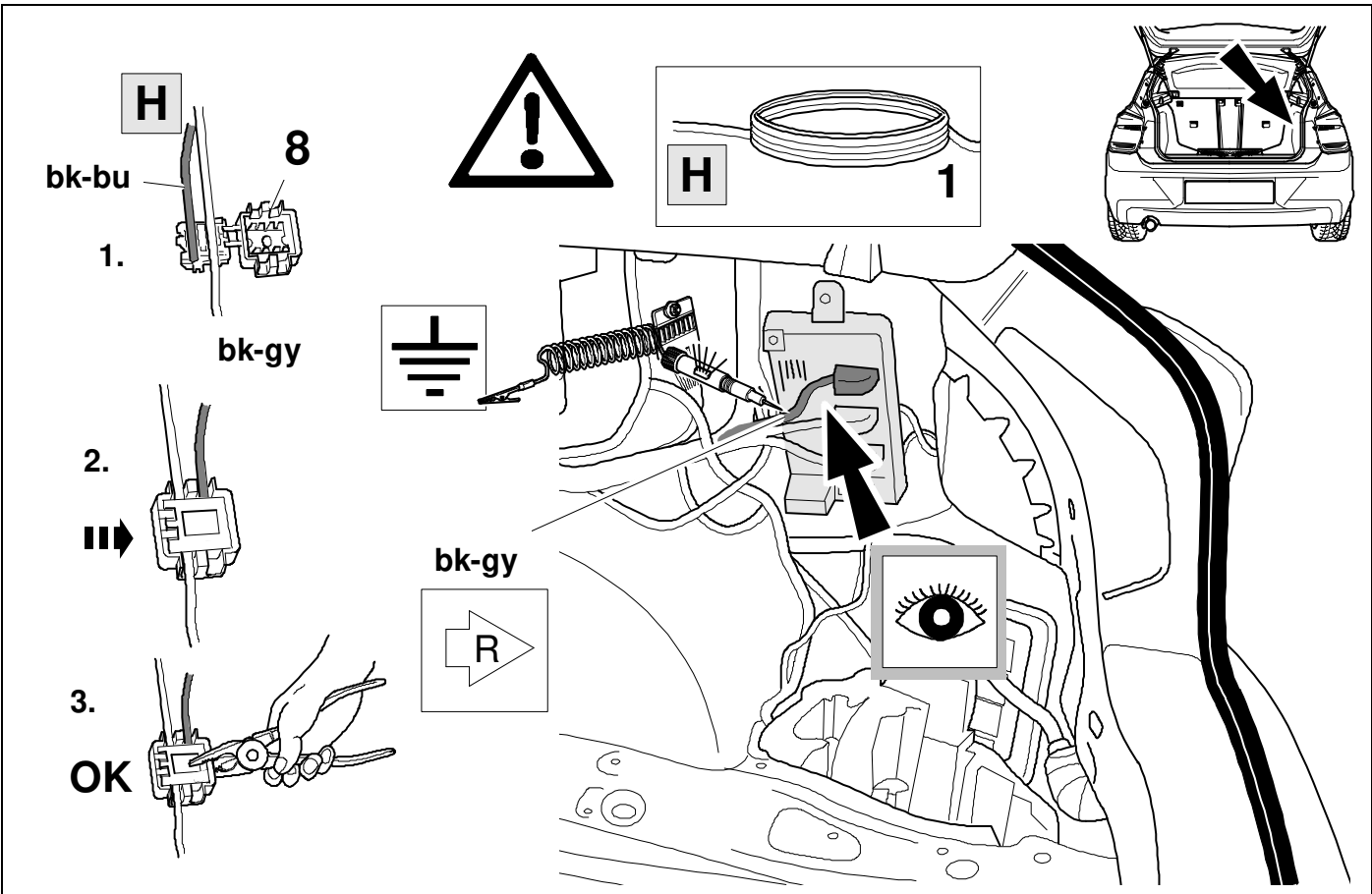


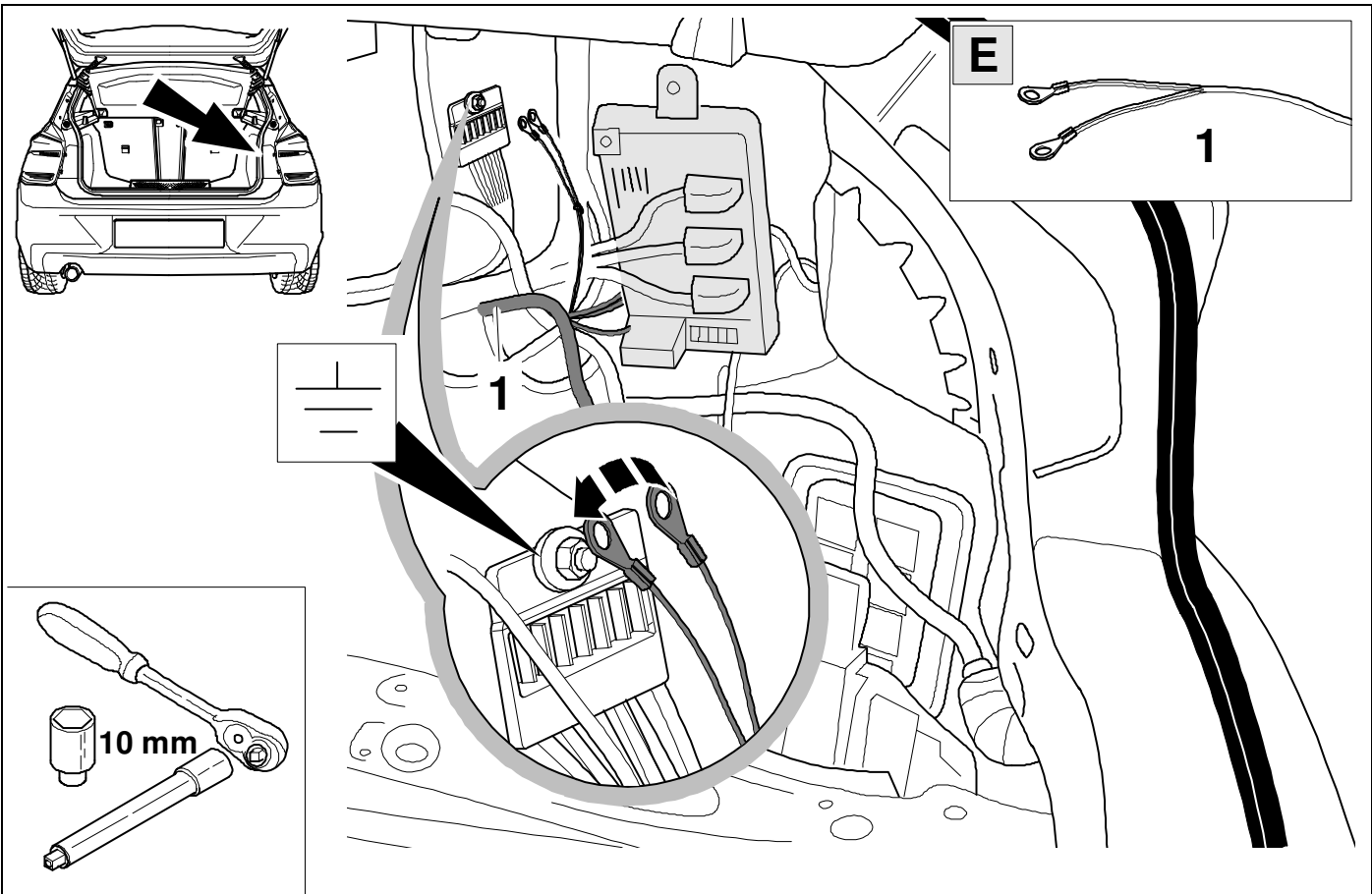
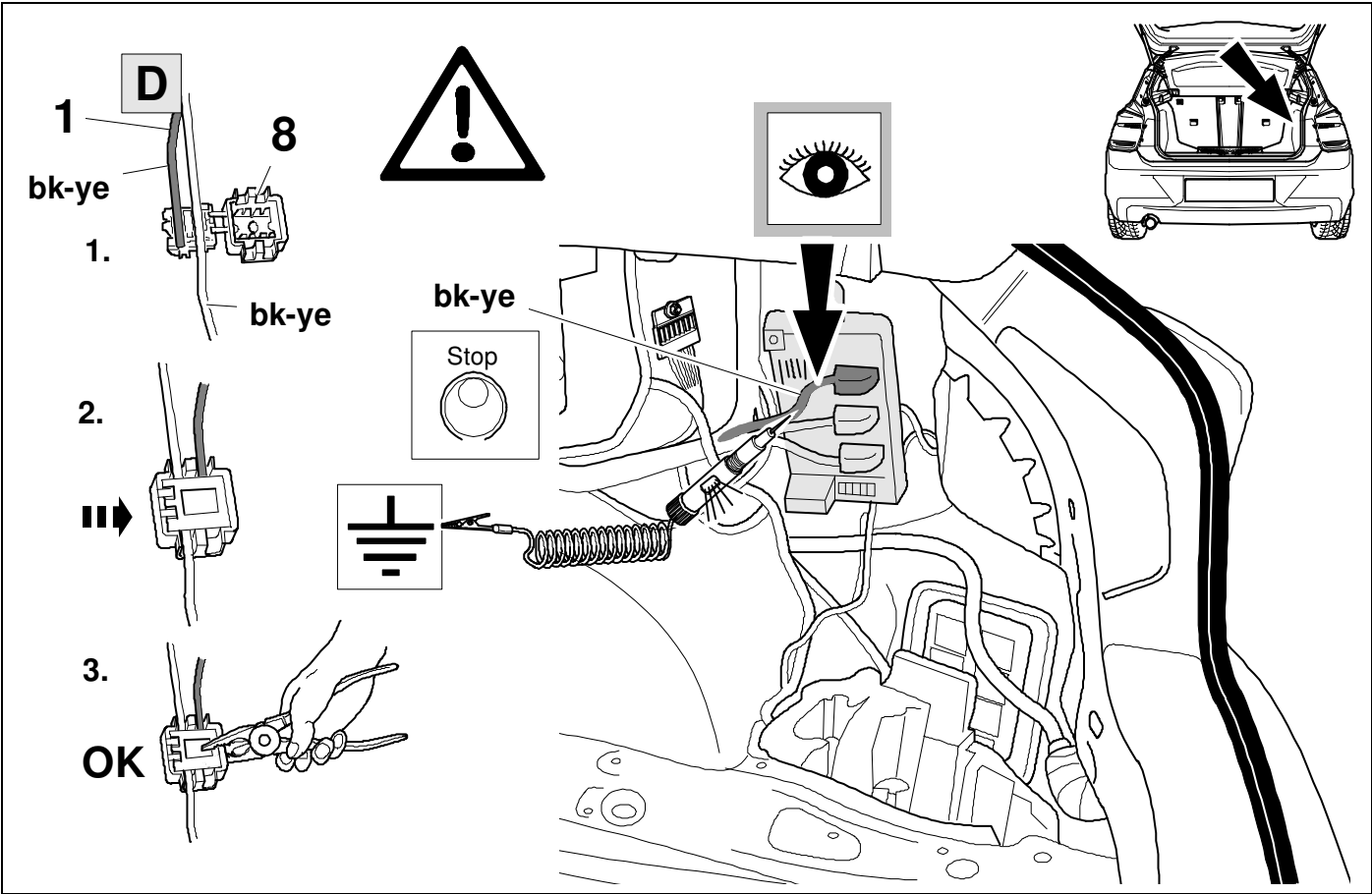
6



7

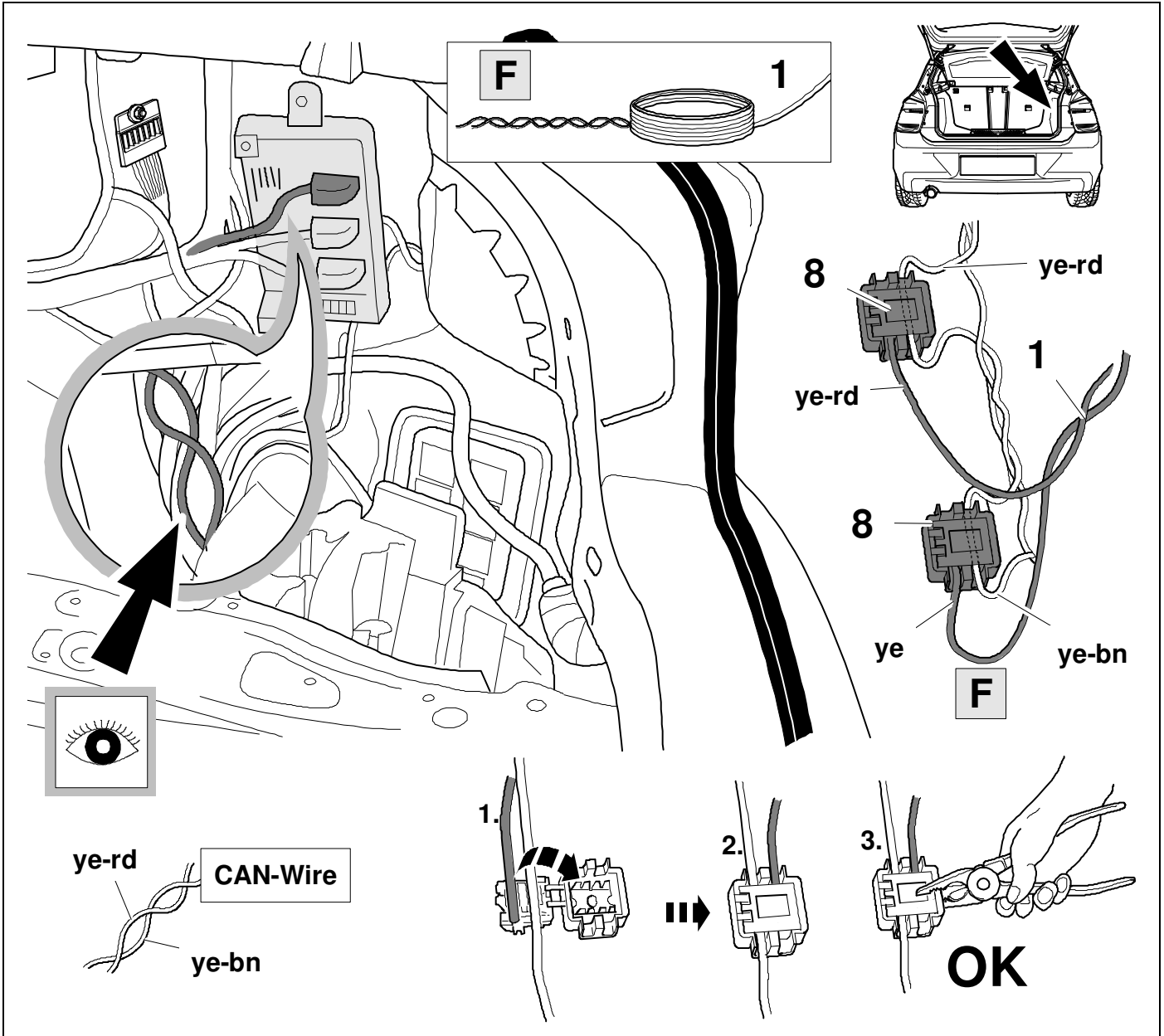
👁️ ⇒ 20



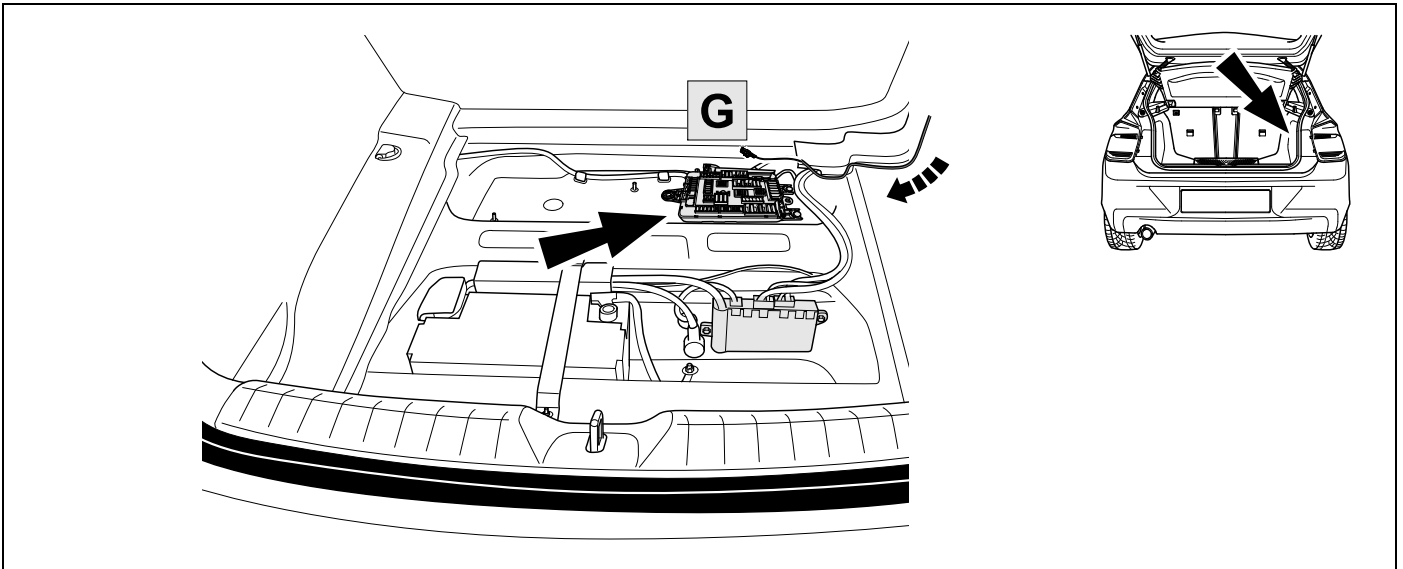


10

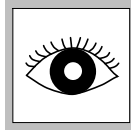
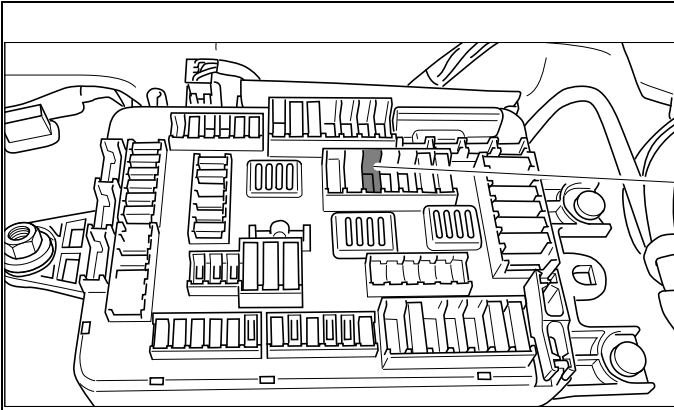
⇒ 20



11



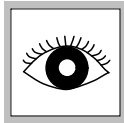
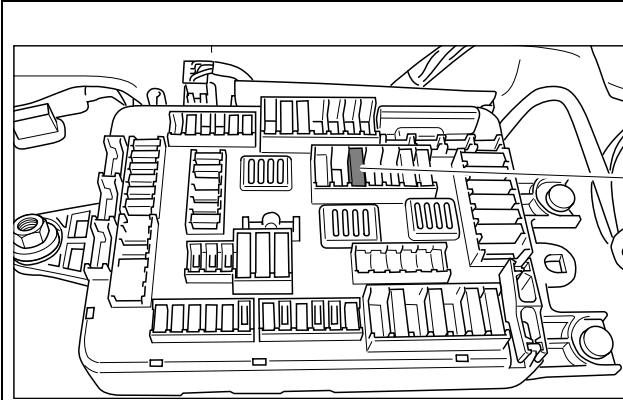
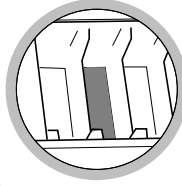
12



OPTION 1

13

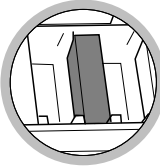
F113



OPTION 2

14 - 28

F113 20A

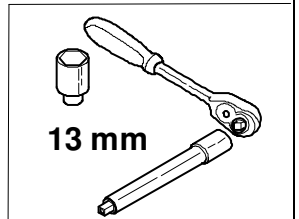
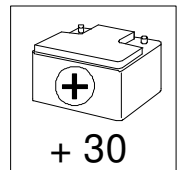
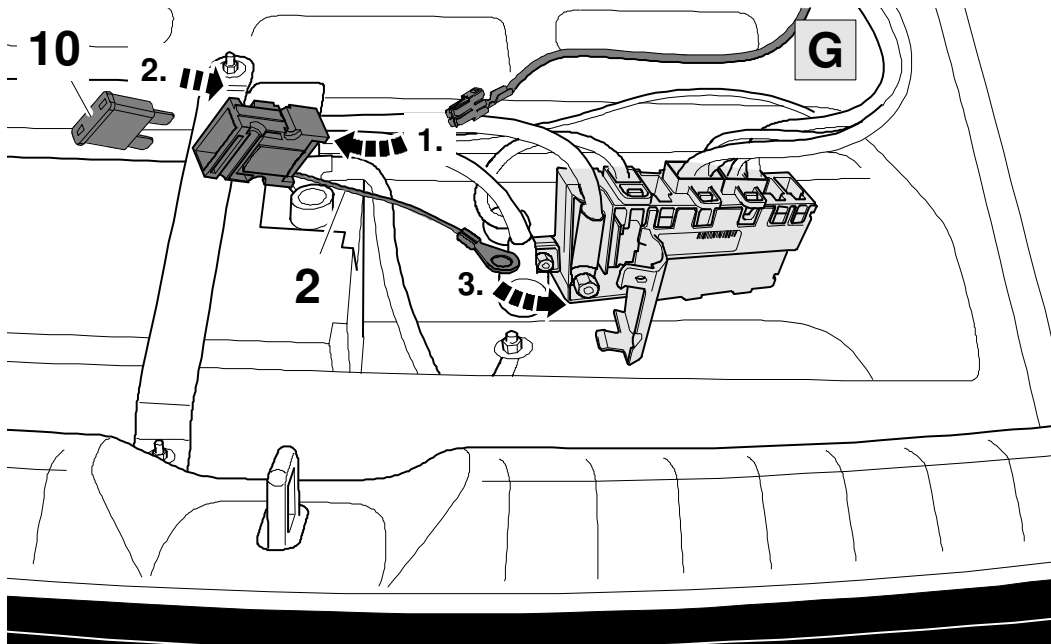
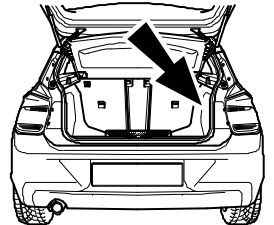
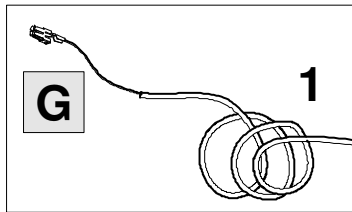
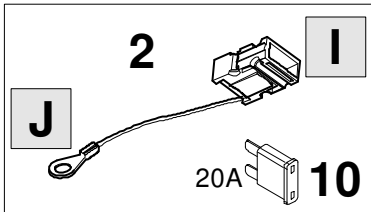


13

OPTION 1



25

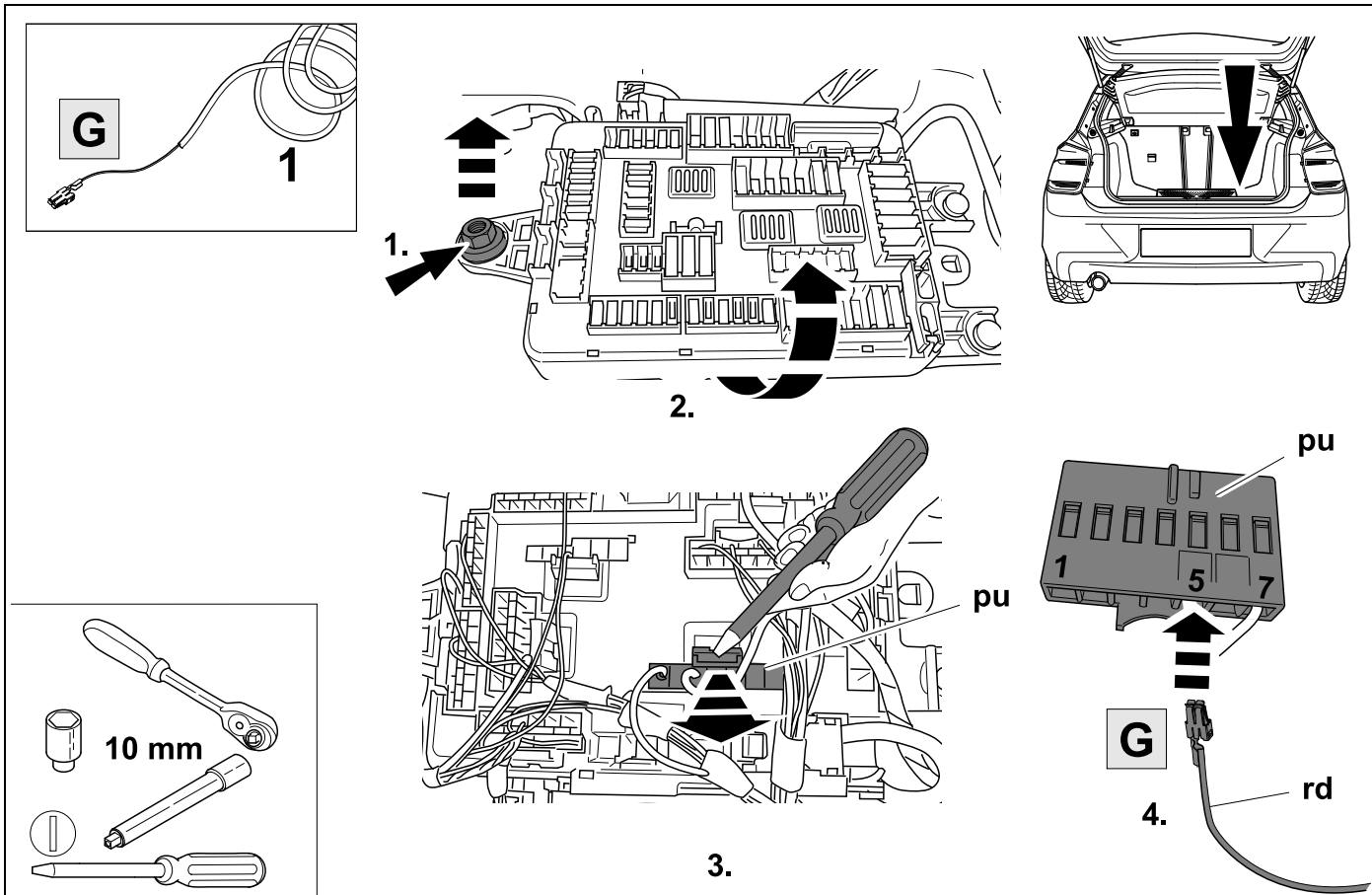


14

OPTION 2



25

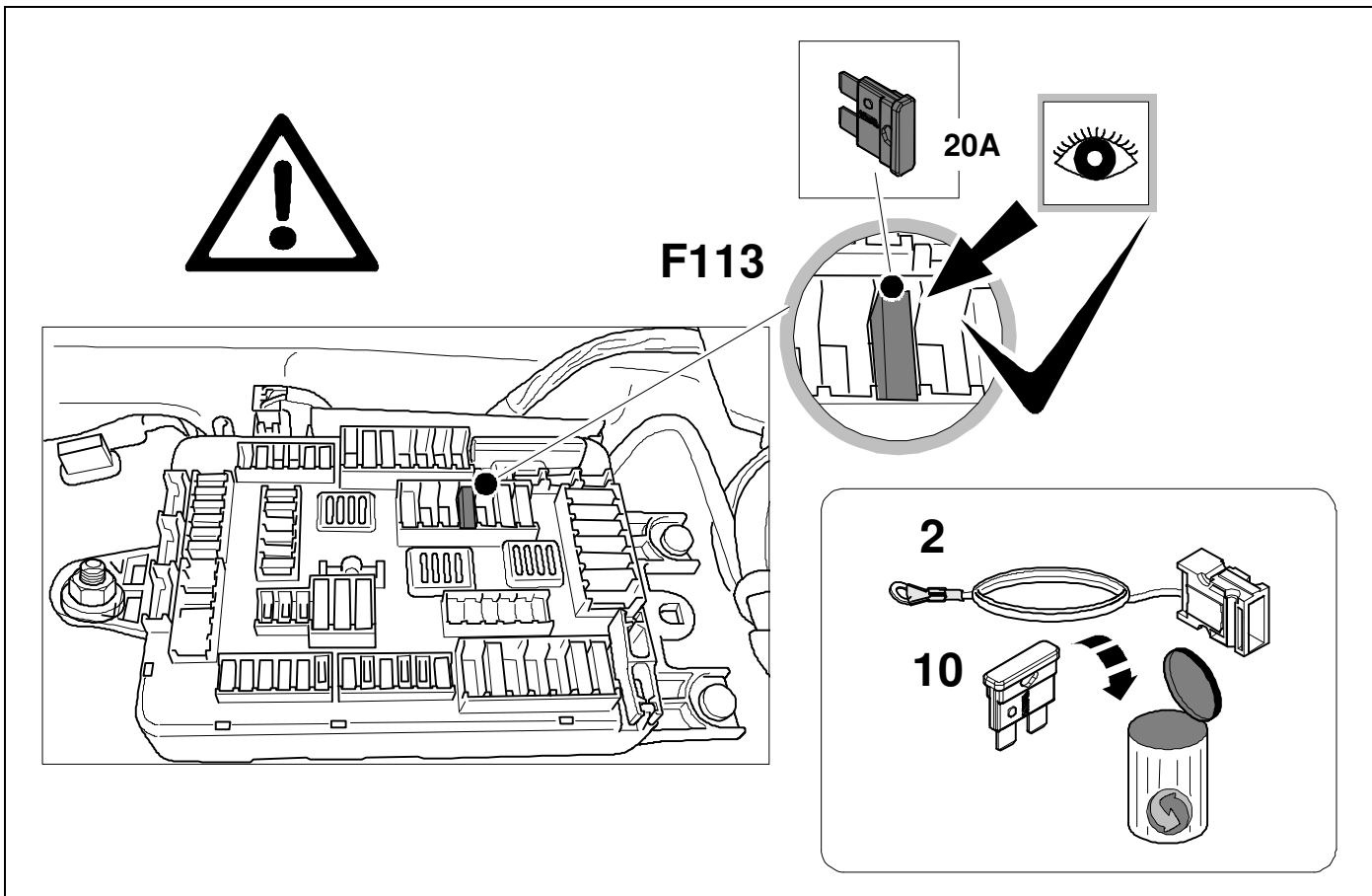


15

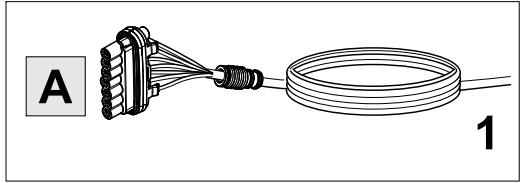
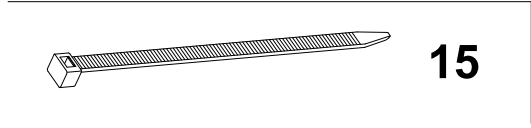
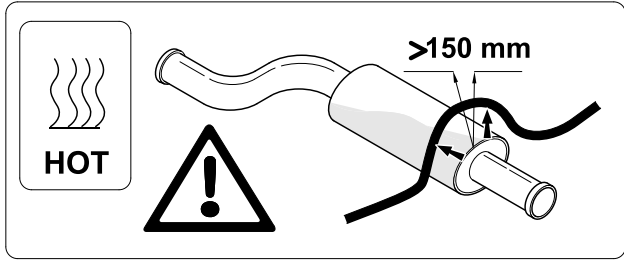
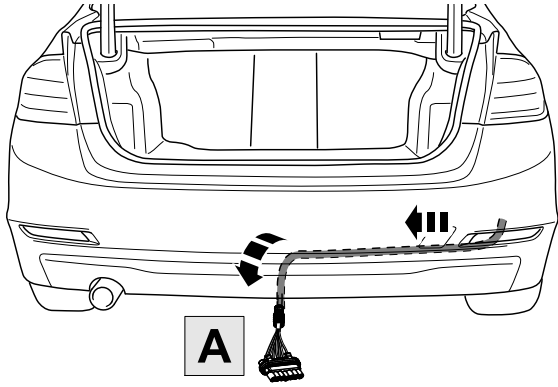
OPTION 2



25



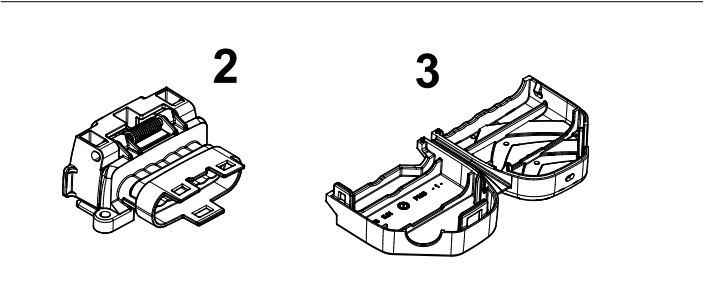
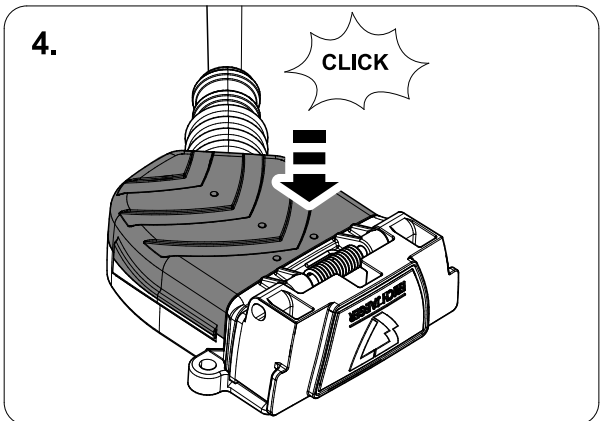
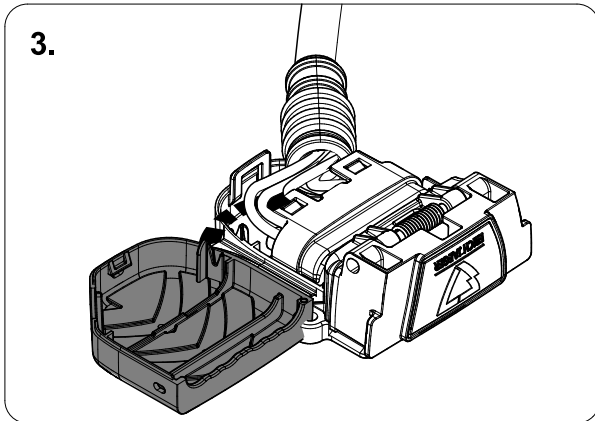
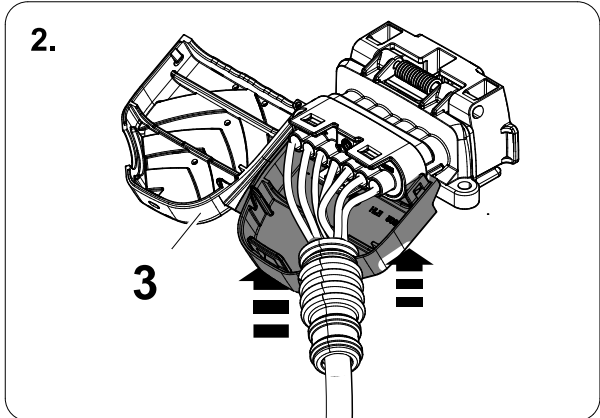
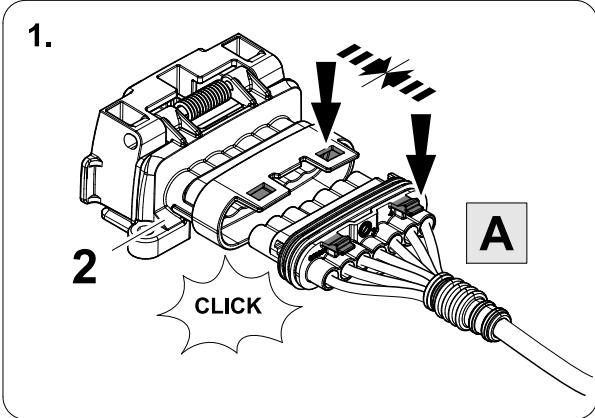
16



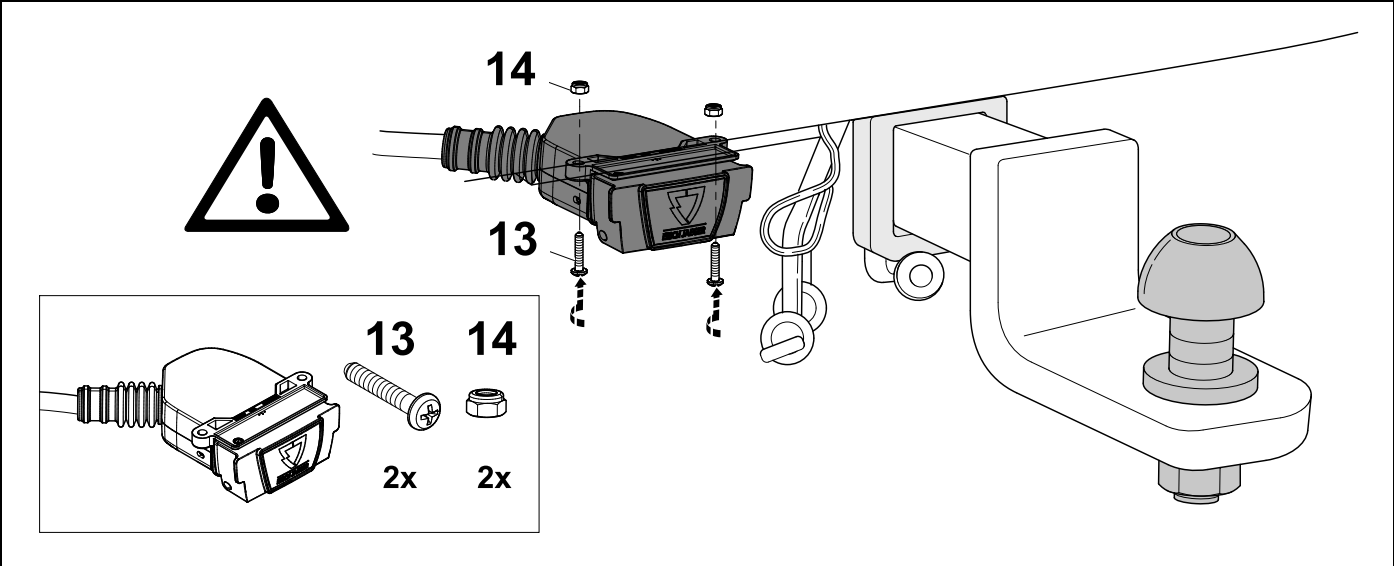
17



18



18



19



20

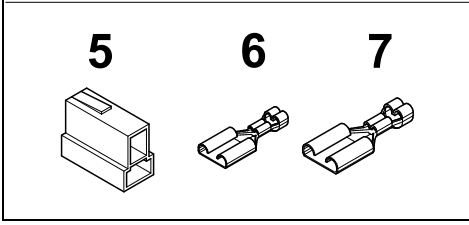
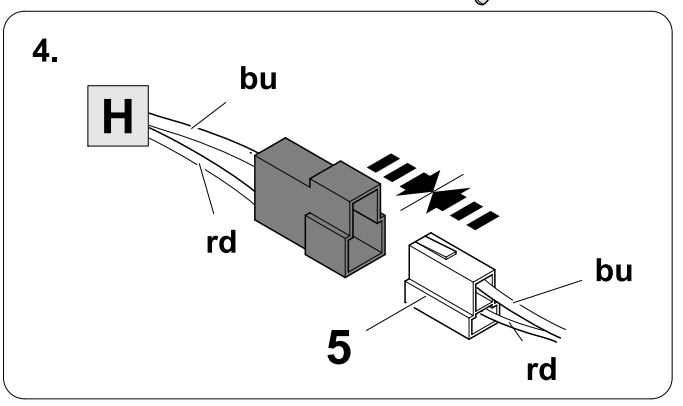
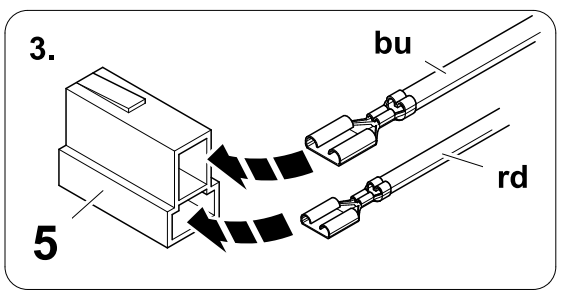
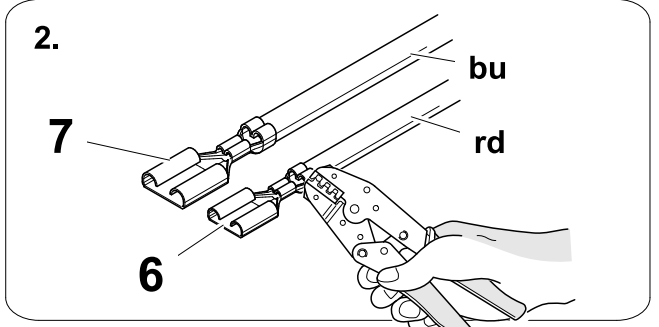
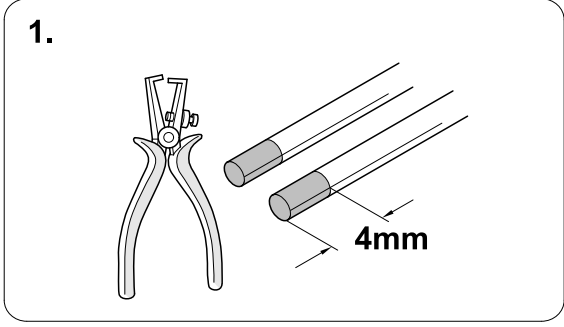
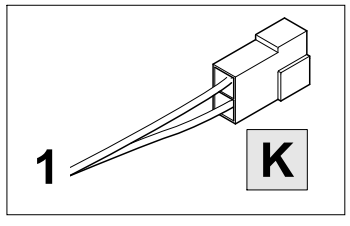
1	ye	
2	bk	
3	wh	
4	gn	
5	bu	
6	rd	
7	bn	

20	bk	wh	gy	gn	rd	bu	ye	bn	pu	or	no
----	----	----	----	----	----	----	----	----	----	----	----

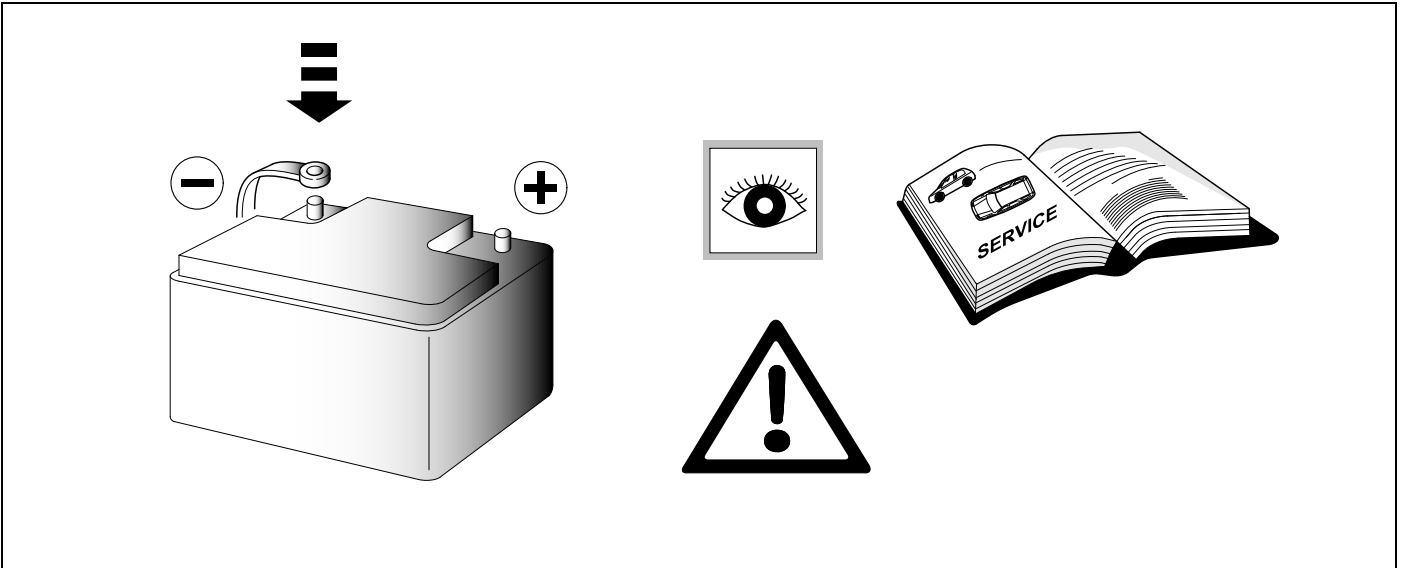
	black	white	grey	green	red	blue	yellow	brown	purple	orange	not occupied
--	-------	-------	------	-------	-----	------	--------	-------	--------	--------	--------------

**BRAKE
CONTROLLER
PREPARED**

Trailer Brake Preparation

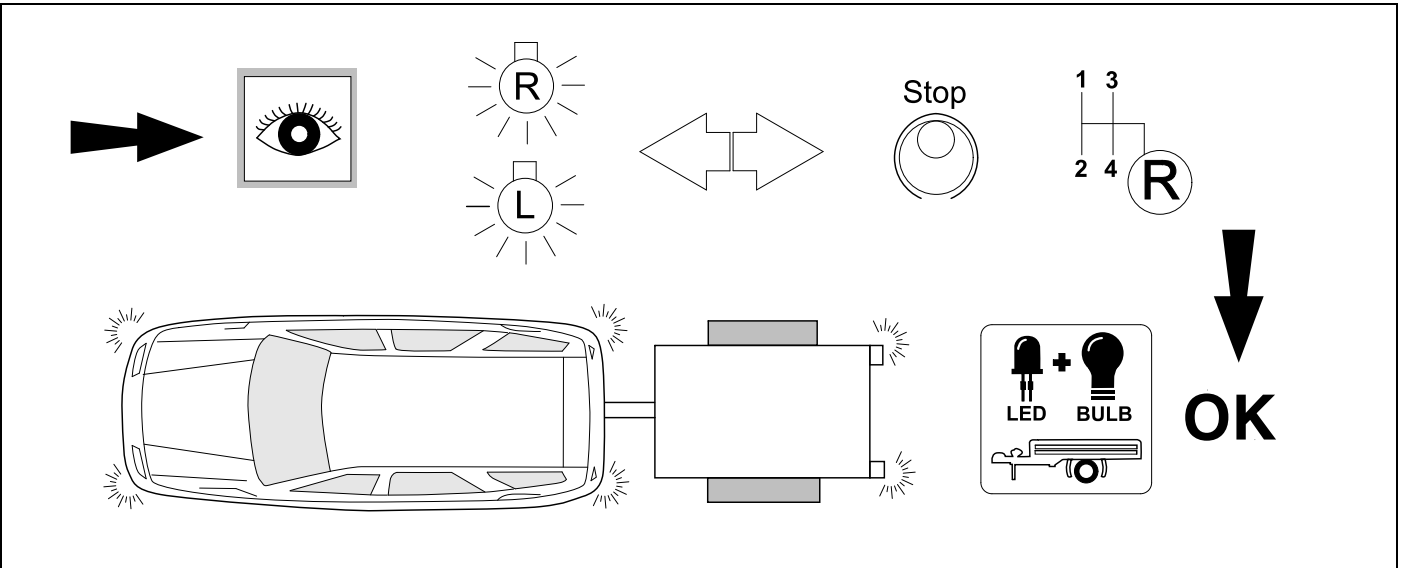


22



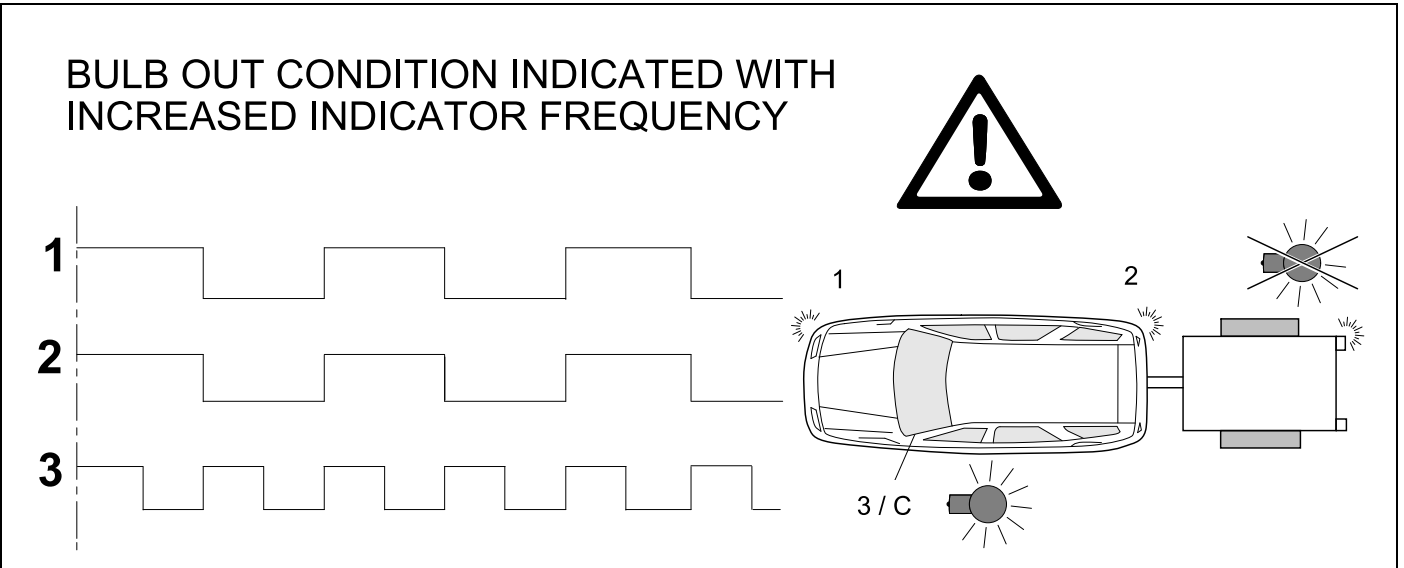
23

CHECK ALL LIGHTING FUNCTIONS

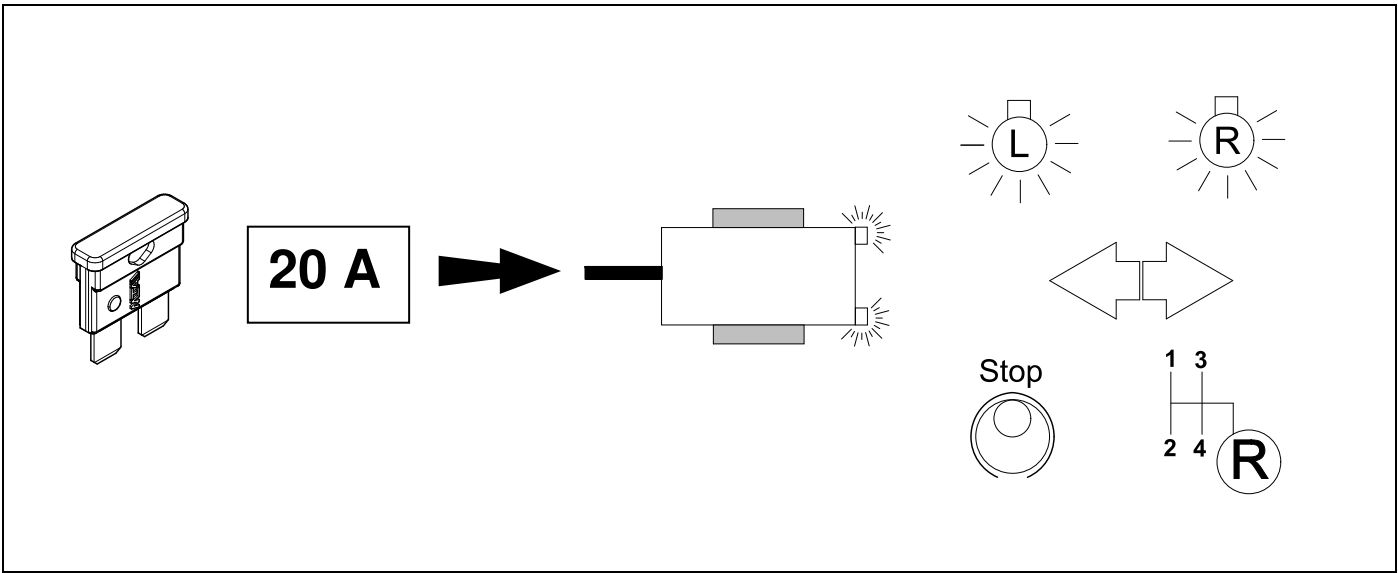


24

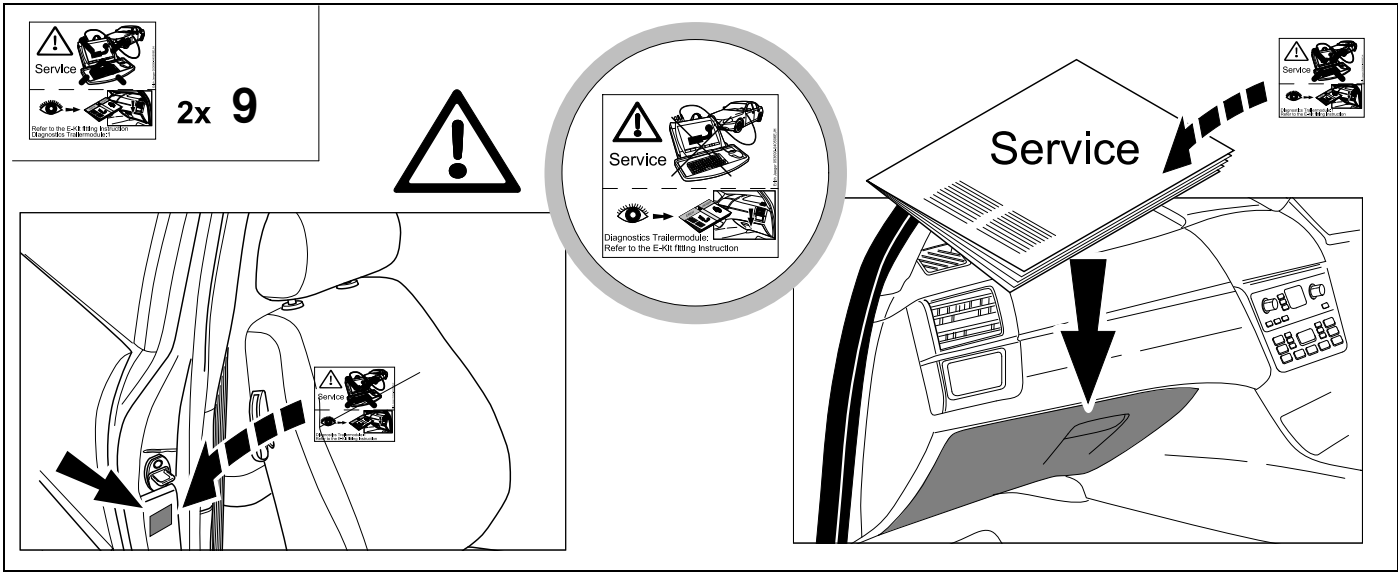
CHECK BULB OUT DETECTION



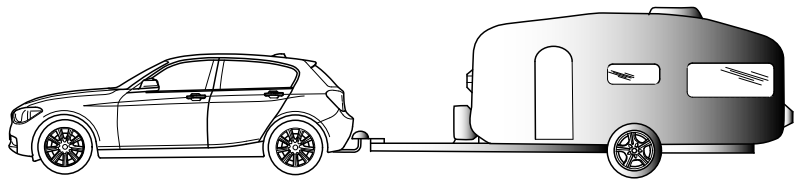
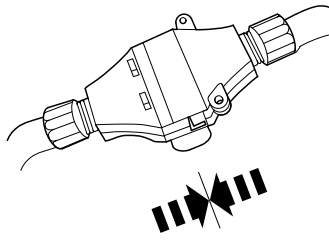
25 Information Service  ⇒ **13** - **15**



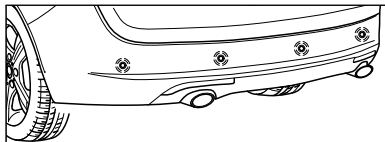
26



If the PDC does not automatically deactivate, coding and initialization of the module might be required.



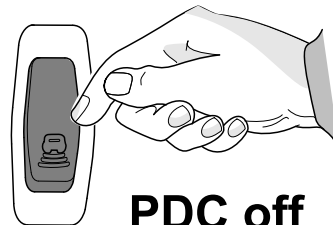
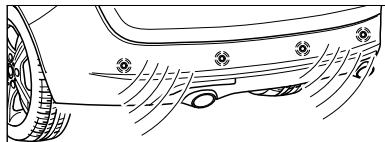
OPTION 1



No Coding



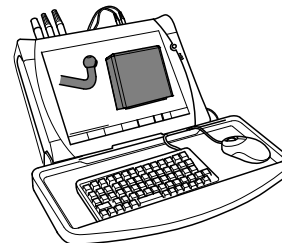
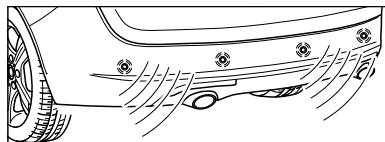
OPTION 2



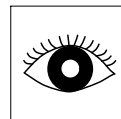
PDC off



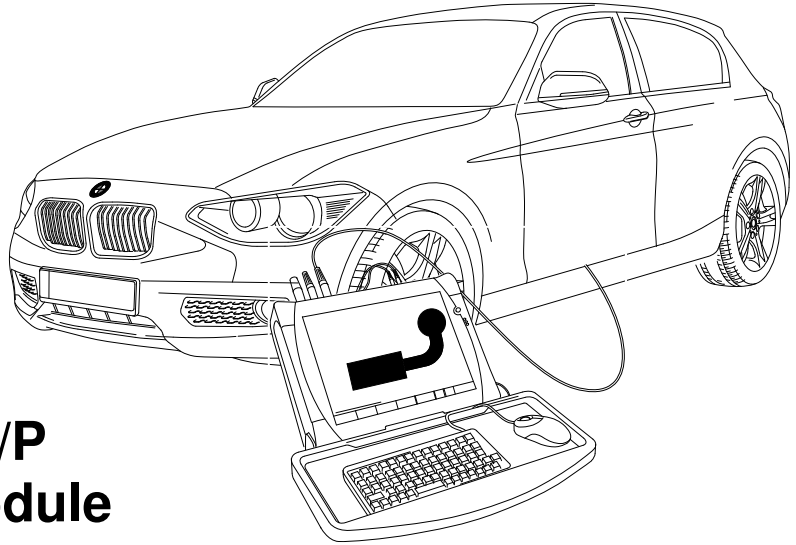
OPTION 3



BMW Service ISTA/P
Initialize Trailer Module



28



BMW Service ISTA/P Initialize Trailer Module



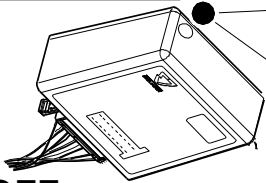
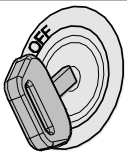
Please effect coding as follows:

- Connect computer to vehicle
- Start ISTA/P
- Click "Modification / Upgrades"
- Scan Action plan
- Click „Coding (Ethernet)“
- Scan Action program follow-up
- Final report checking

After the effected connection, the rear park assist system will also automatically be deactivated in trailer operation!

Status LED for self-diagnosis

Operation Support



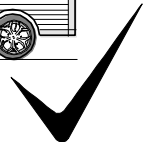
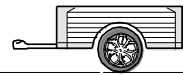
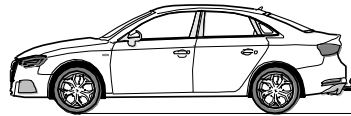
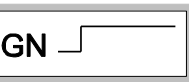
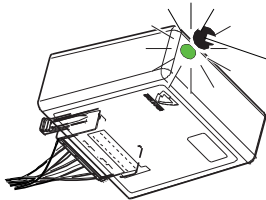
No CAN-Data =



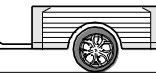
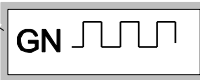
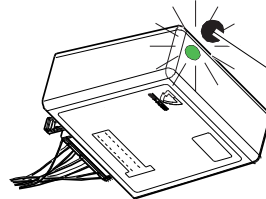
Standby / Sleepmode



Ignition OFF



Ignition ON



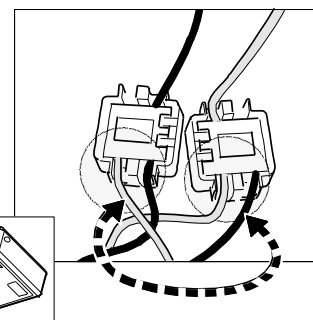
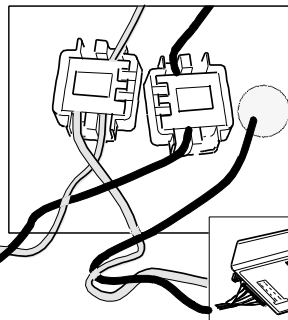
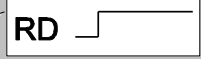
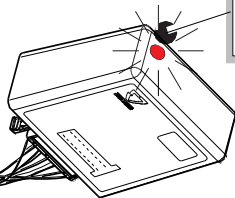
Ignition ON

Failure Support

CAN-Data Wire

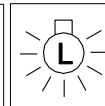
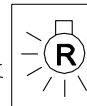


1x max. 5 min.

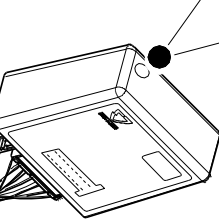


Ignition ON

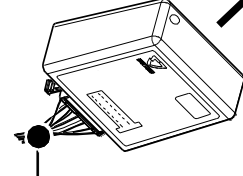
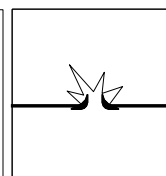
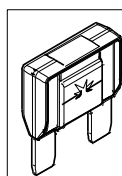
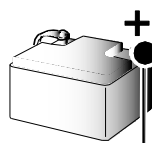
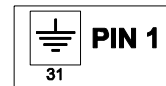
Failure indicated by the module LED glowing red for a maximum of 5 minutes. If trailer connected the tail lights will also glow indicating failure of CAN signal.

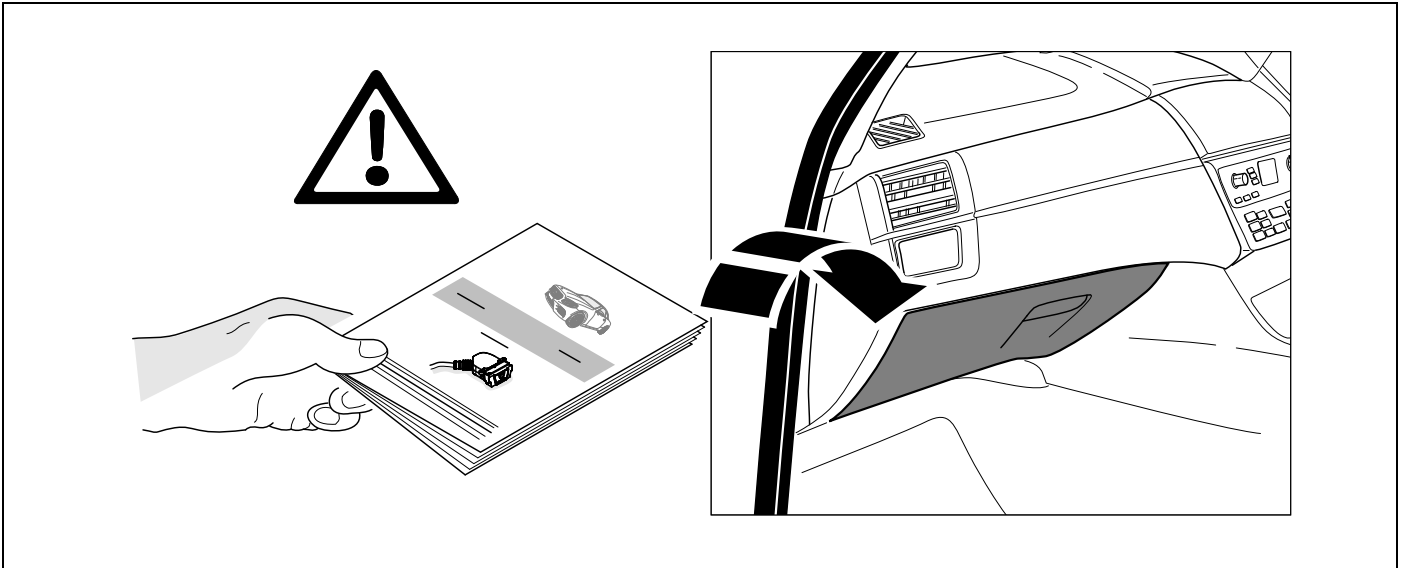


Ignition ON



or





Subject to change in terms of construction, equipment and colour, and may contain errors.
The information and illustrations are non-binding.