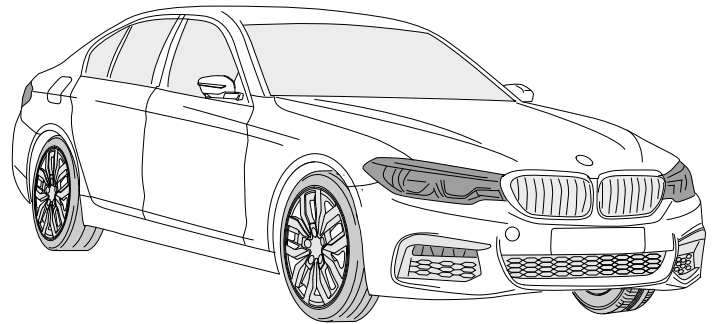
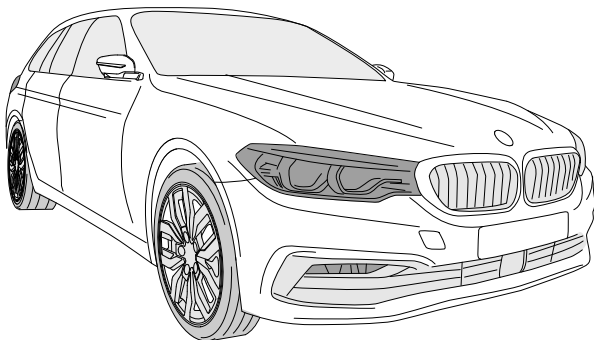




ERICH JAEGER

Installation instructions

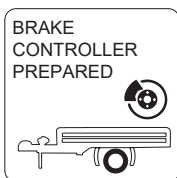
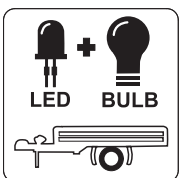
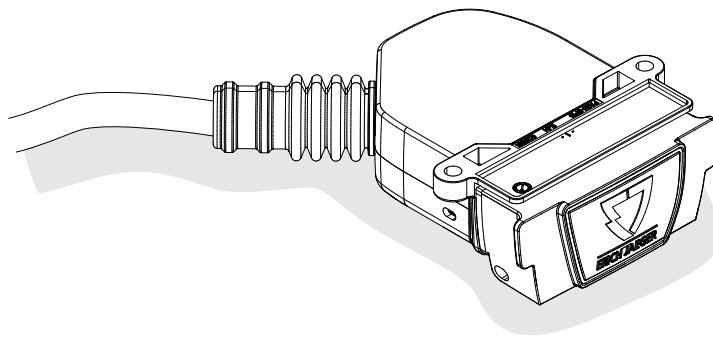


750124

BMW 5-Serie Limousine	G30	02/17 >>
BMW 5-Serie Touring	G31	06/17 >>
BMW 6-Serie GT	G32	11/17 >>



SCAN FOR LATEST INSTRUCTIONS

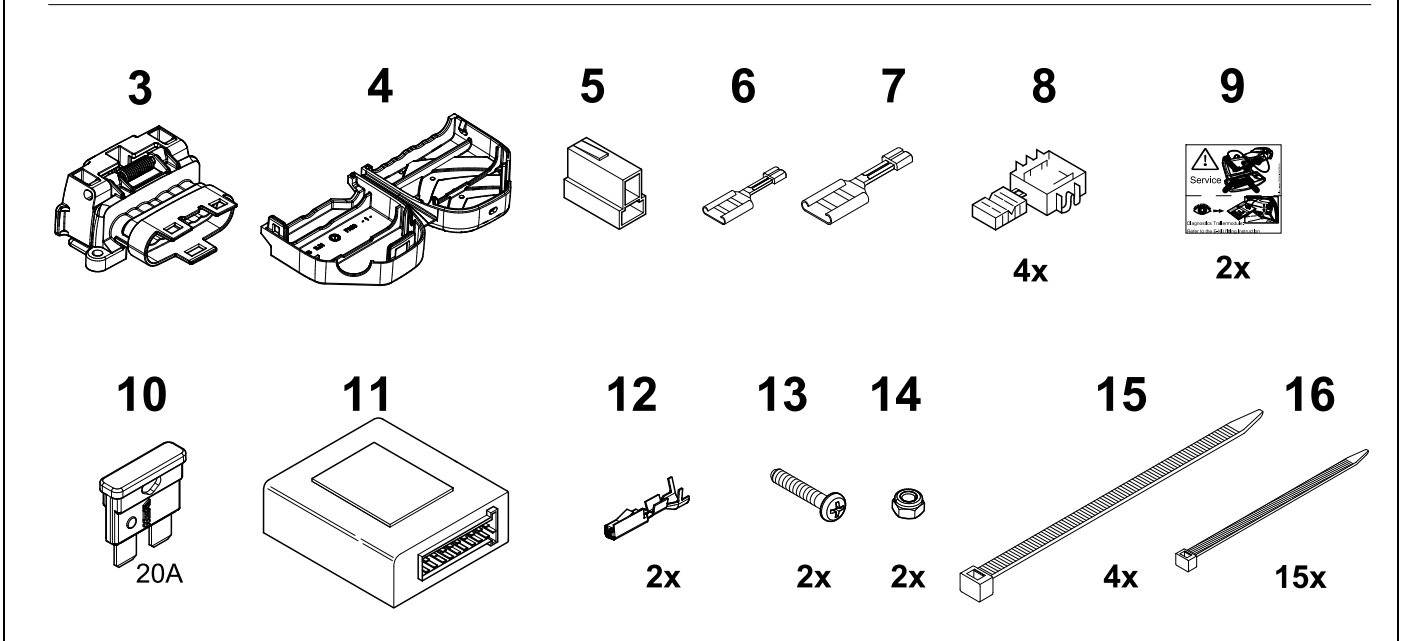
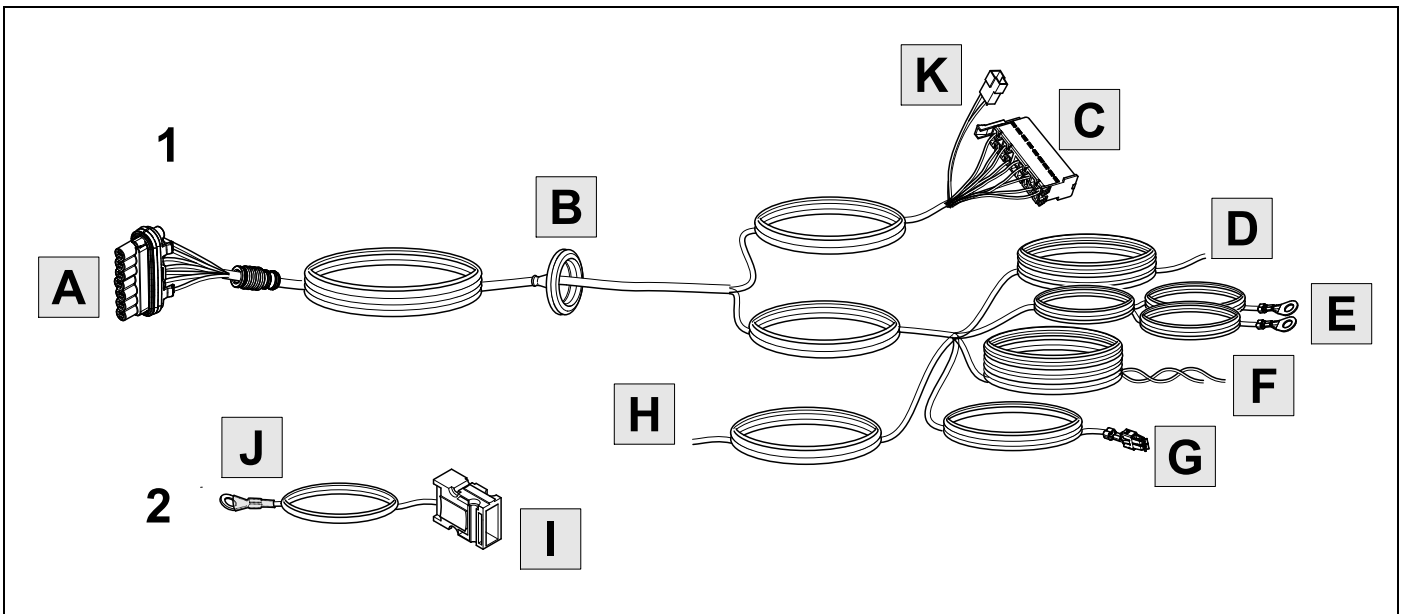


Reference:

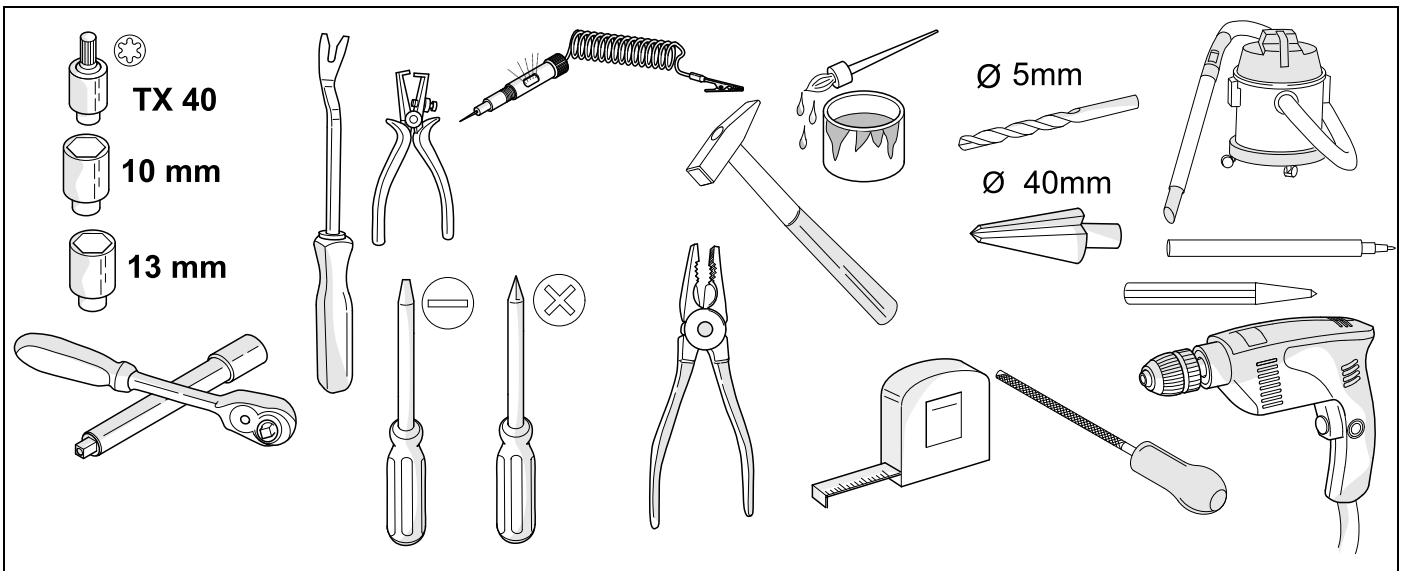
The following information must be reviewed before beginning the assembly:

- The installation instructions are to be thoroughly read.
- The installation should be carried out by qualified personnel with the relevant technical knowledge.
- The vehicle manufacturers' current technical notices and information on retrofitting must be followed.
- The removal and replacement instructions found in the current repair manuals must be followed.

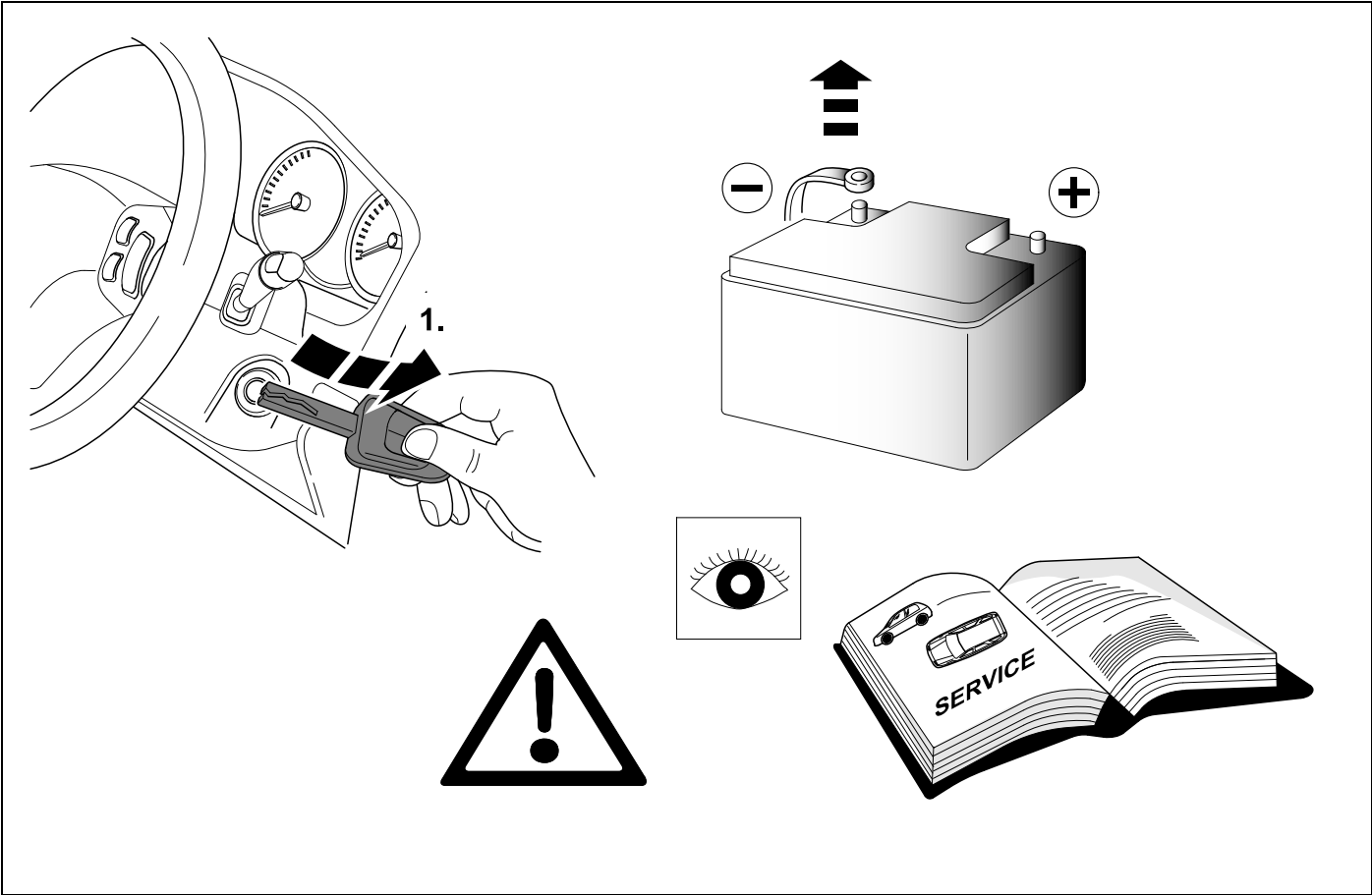
KIT



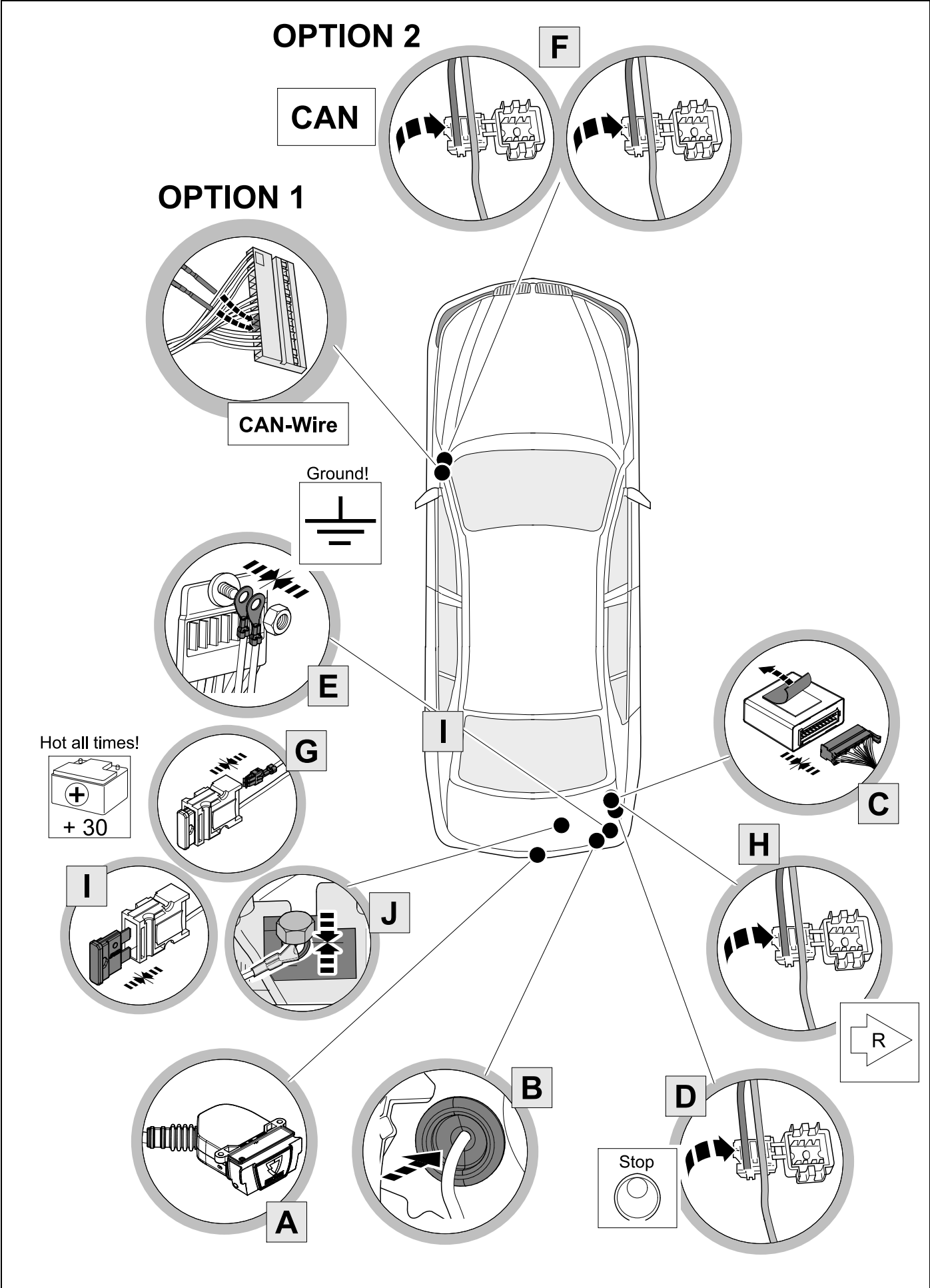
TOOLS



1

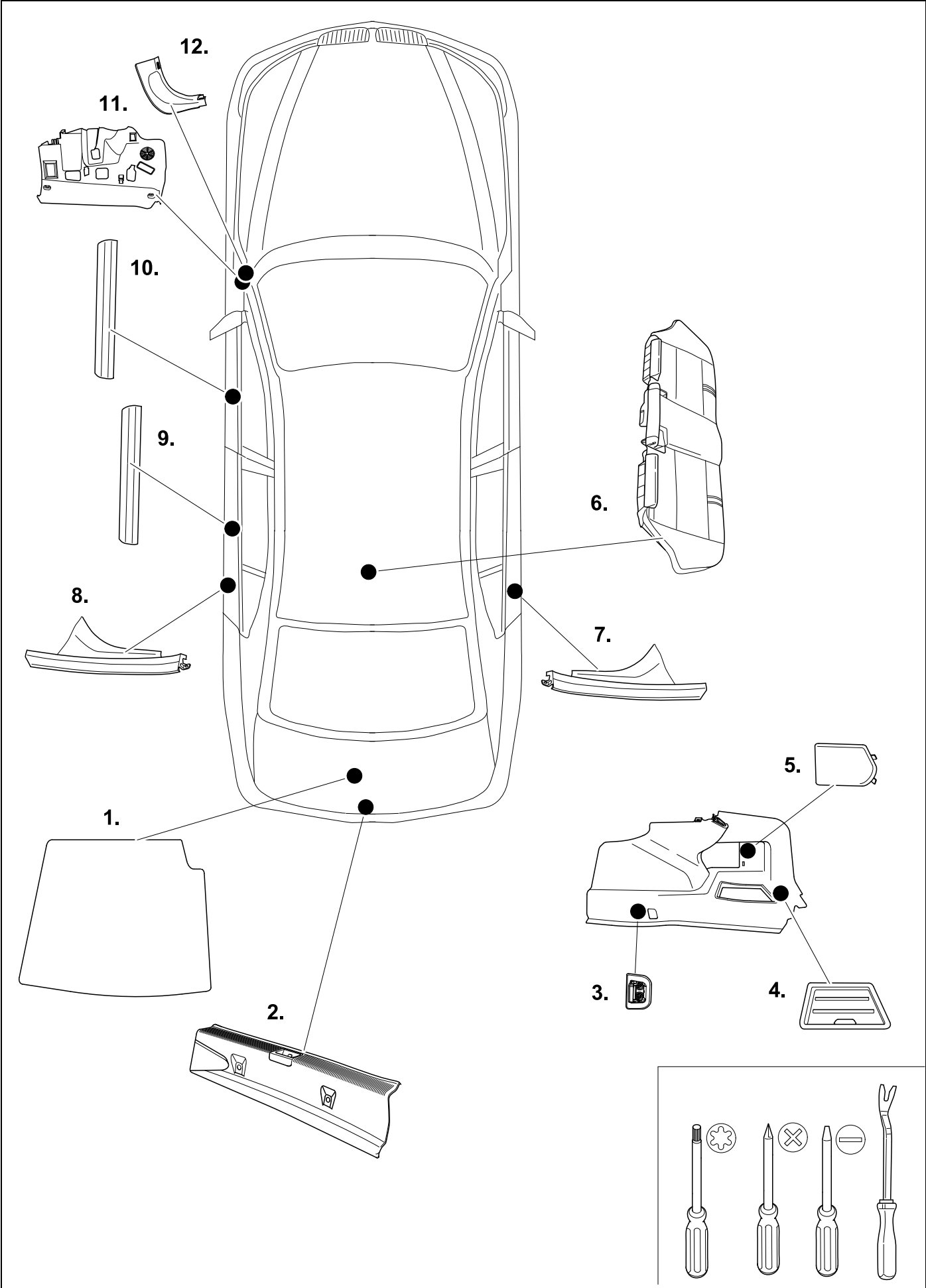


ROUTING

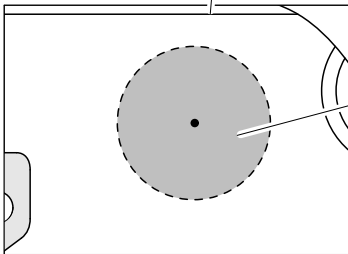
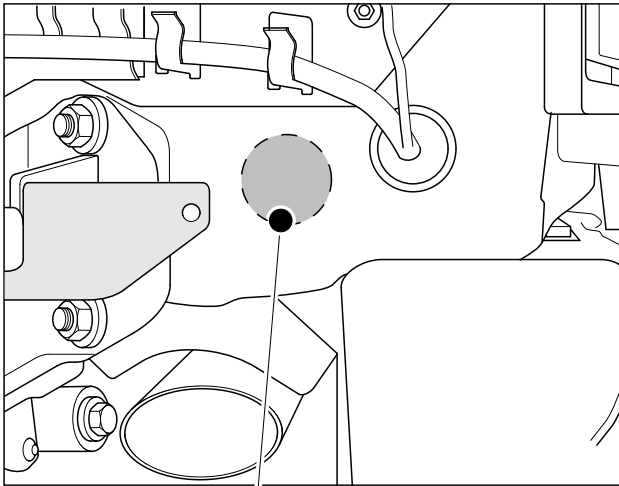


3

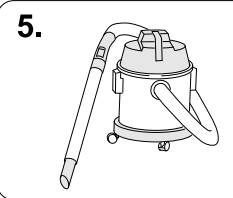
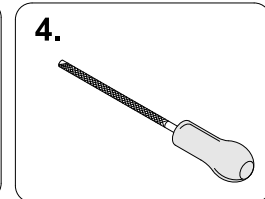
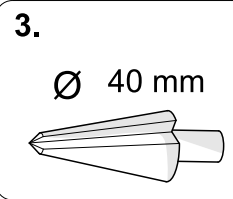
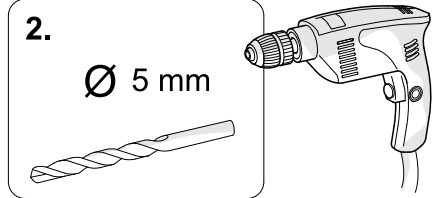
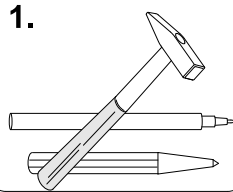
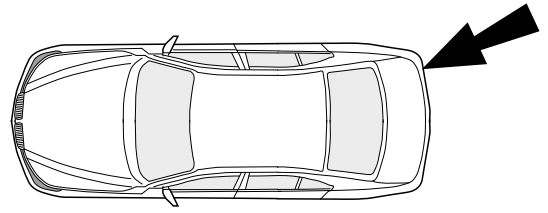
REMOVE



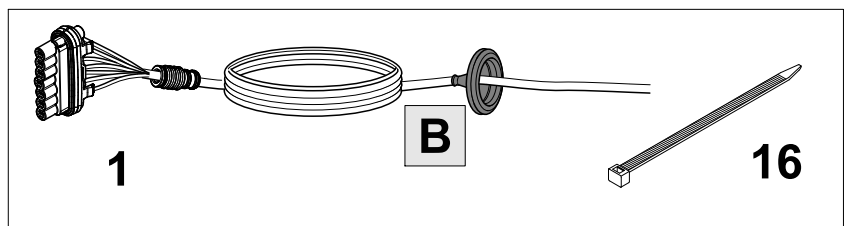
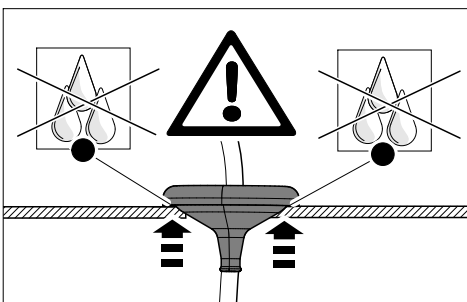
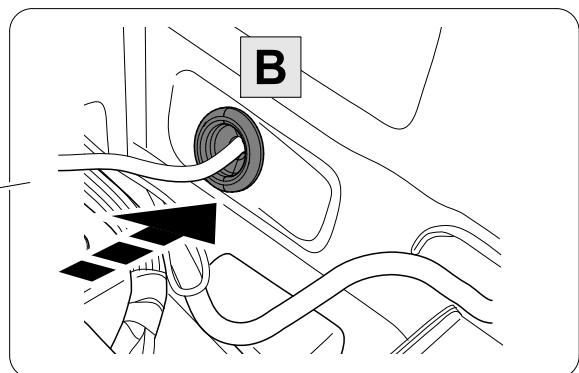
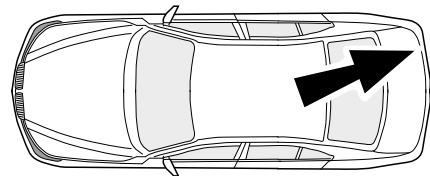
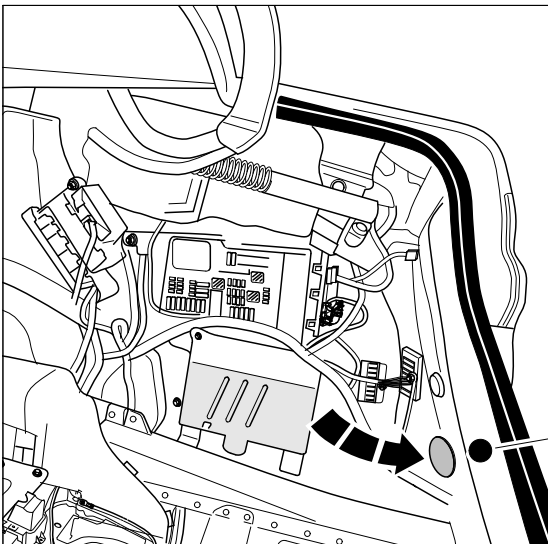
4



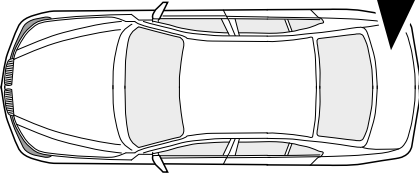
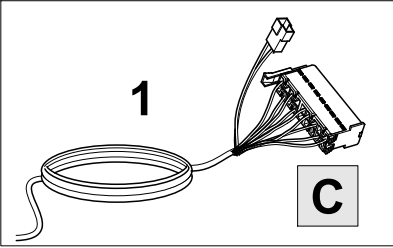
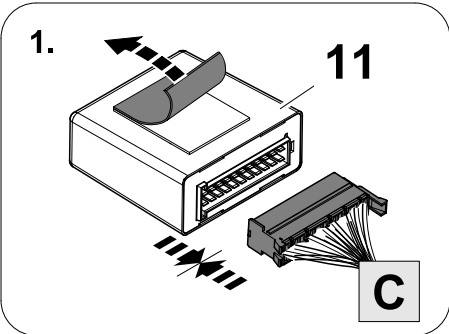
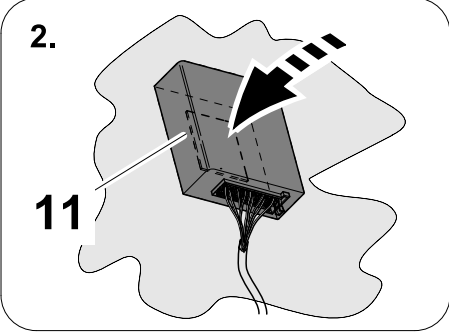
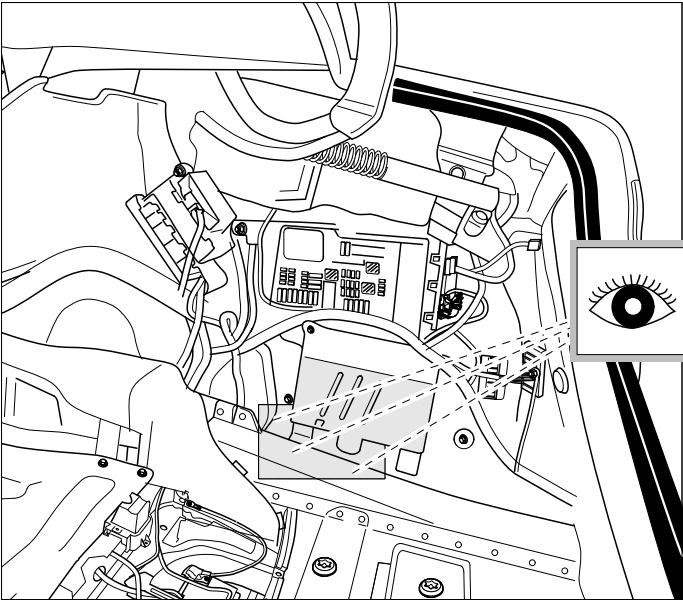
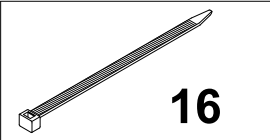
Ø40mm



5

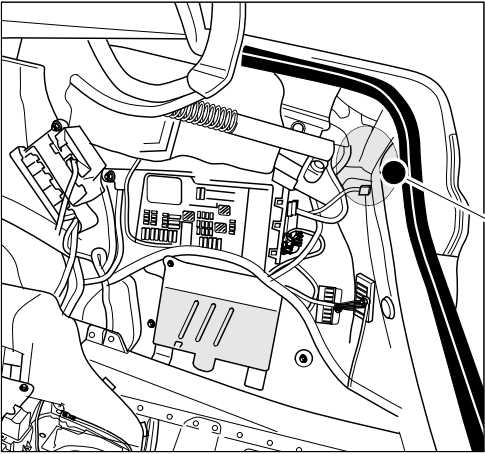
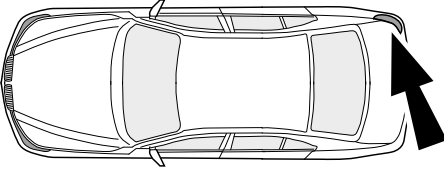
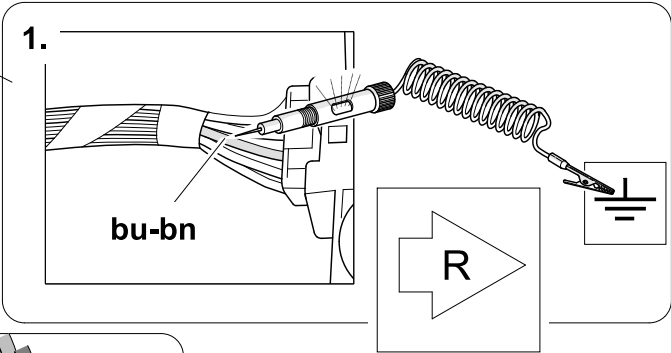
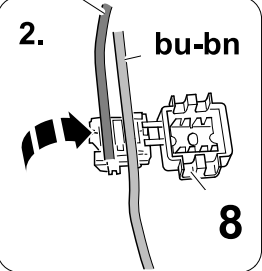
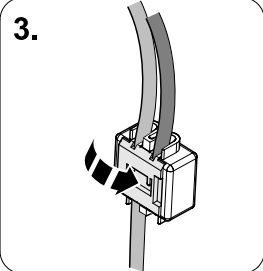
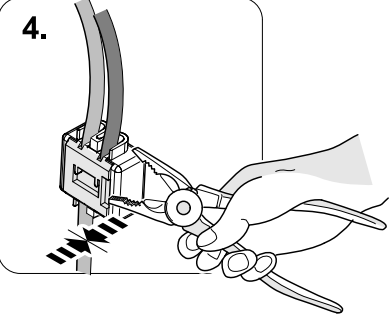
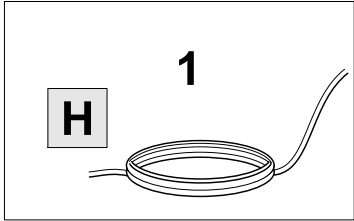


6

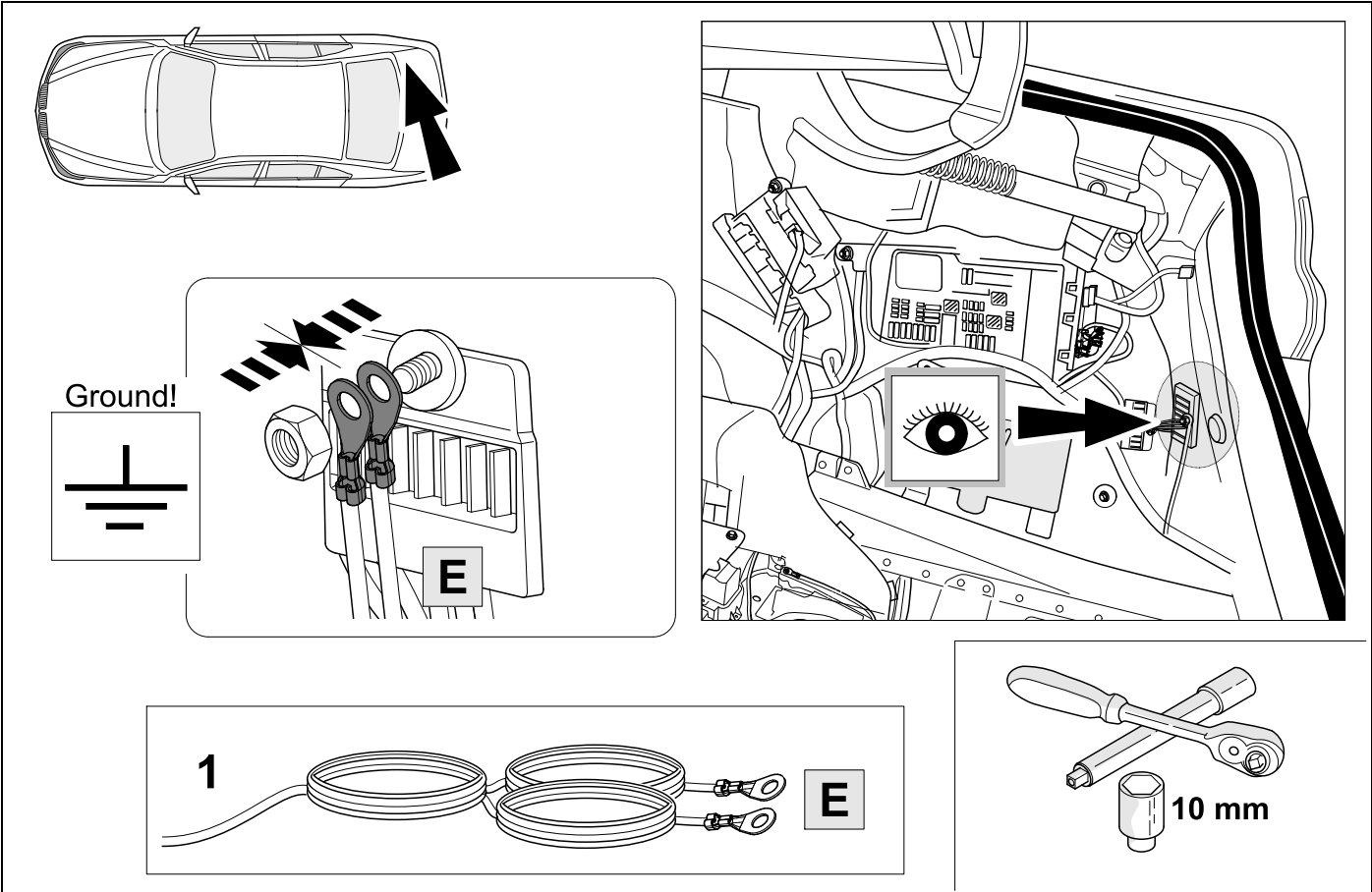







7

👁️ ➔ 22

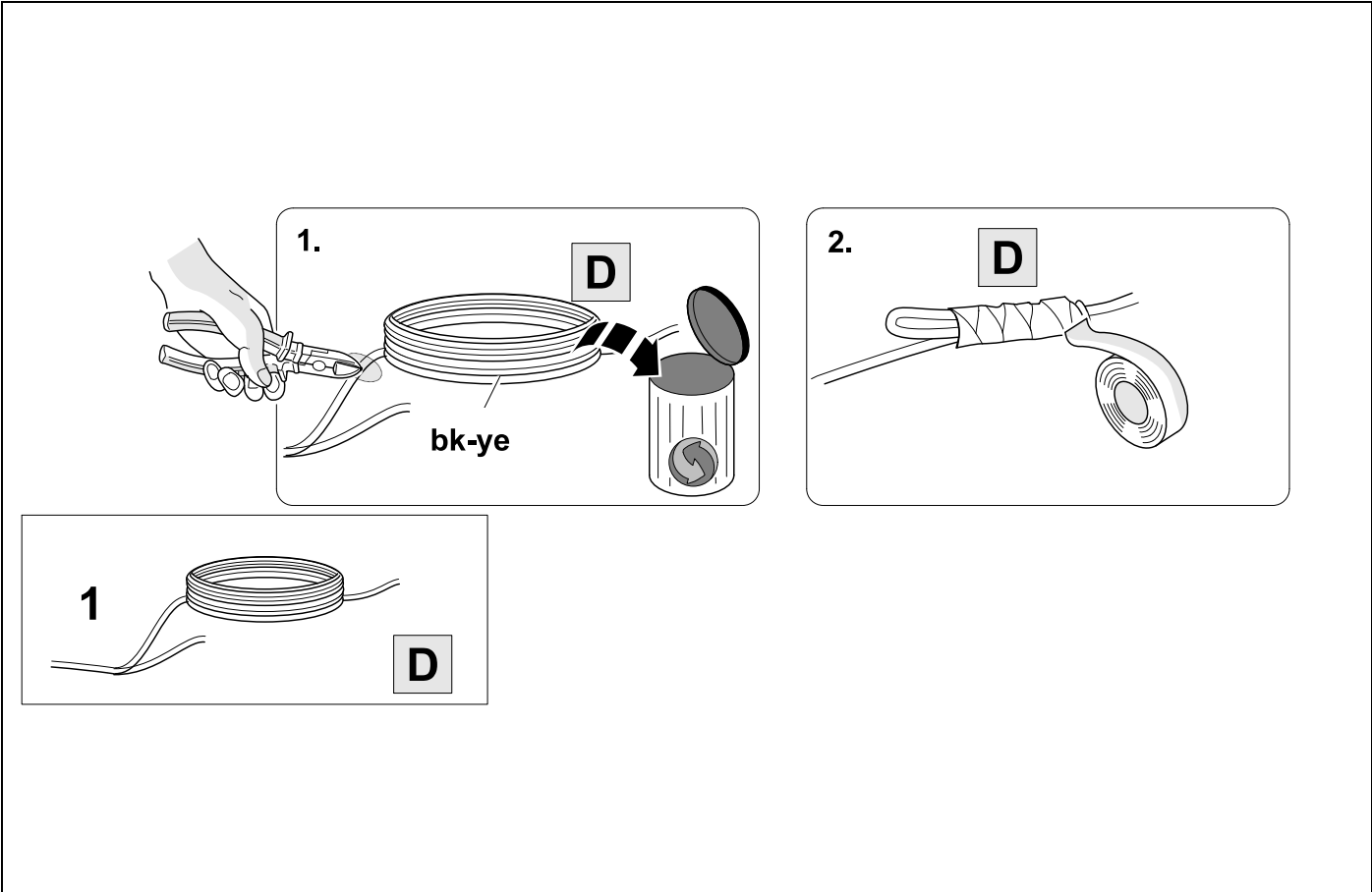








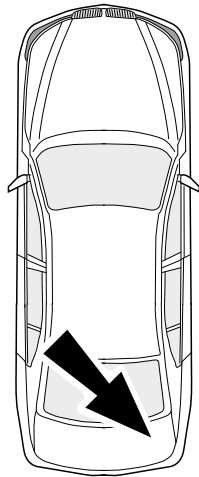
8



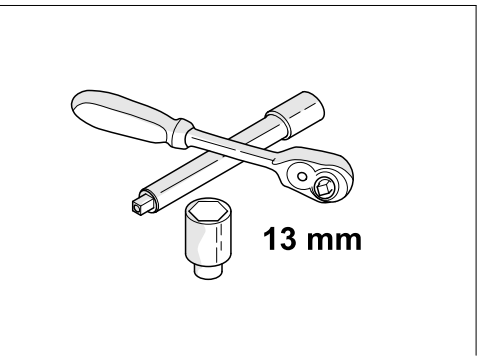
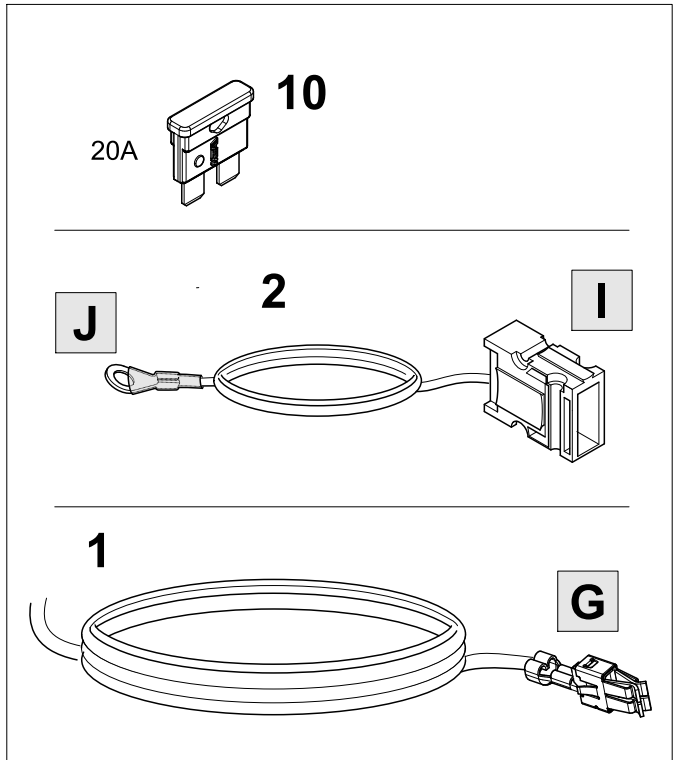
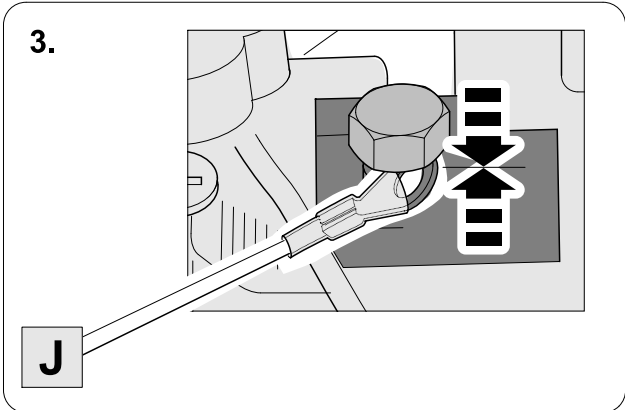
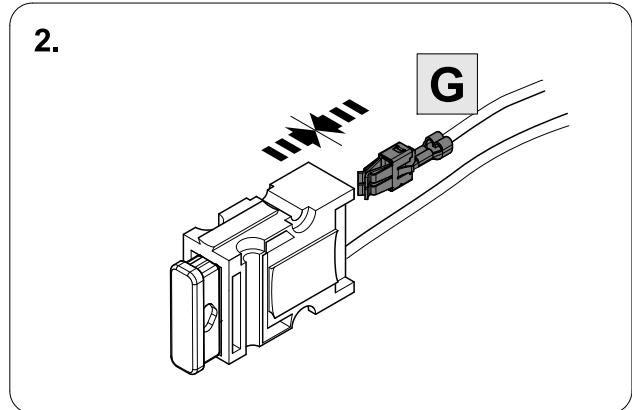
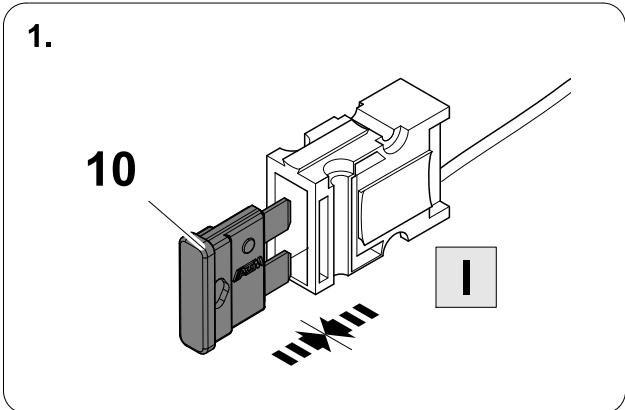
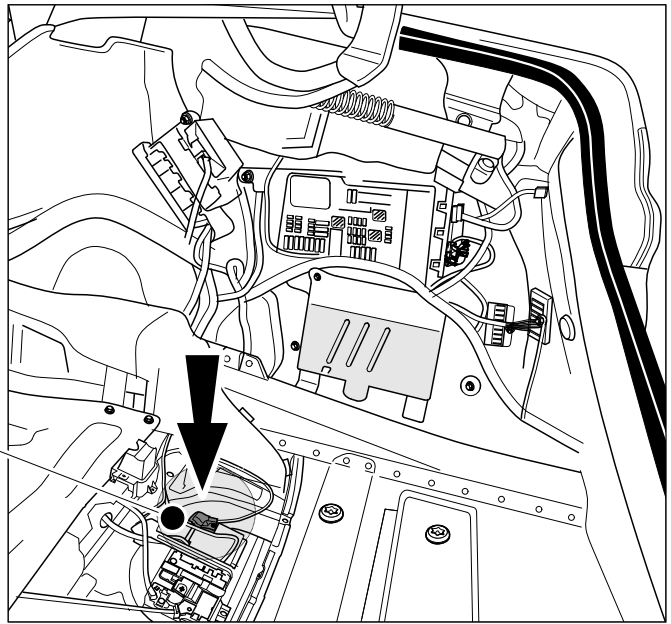
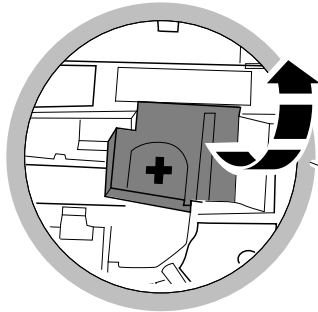
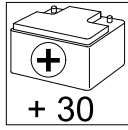
9

👁️ ⇒ 22



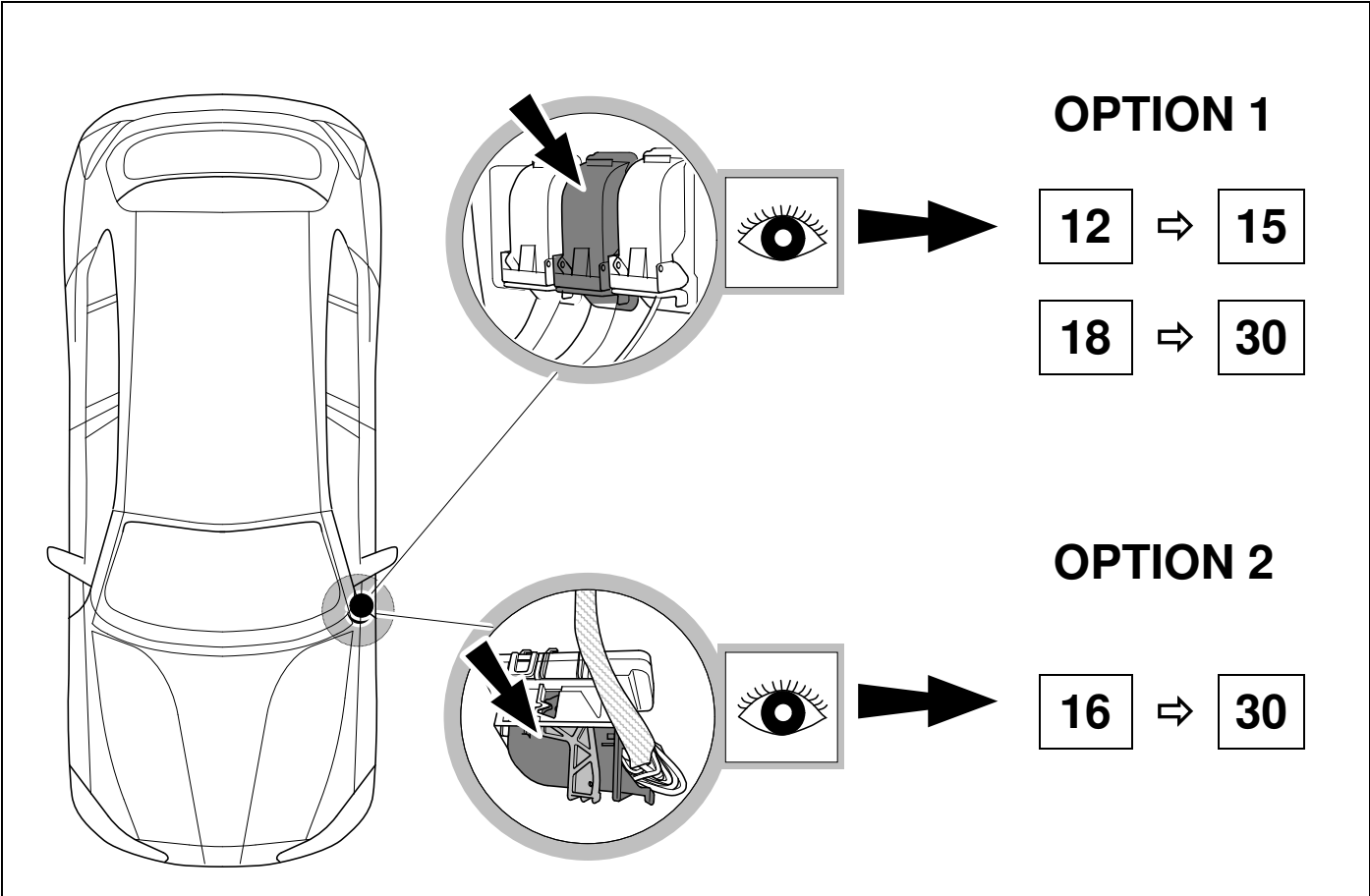


Hot all times!



13 mm

11

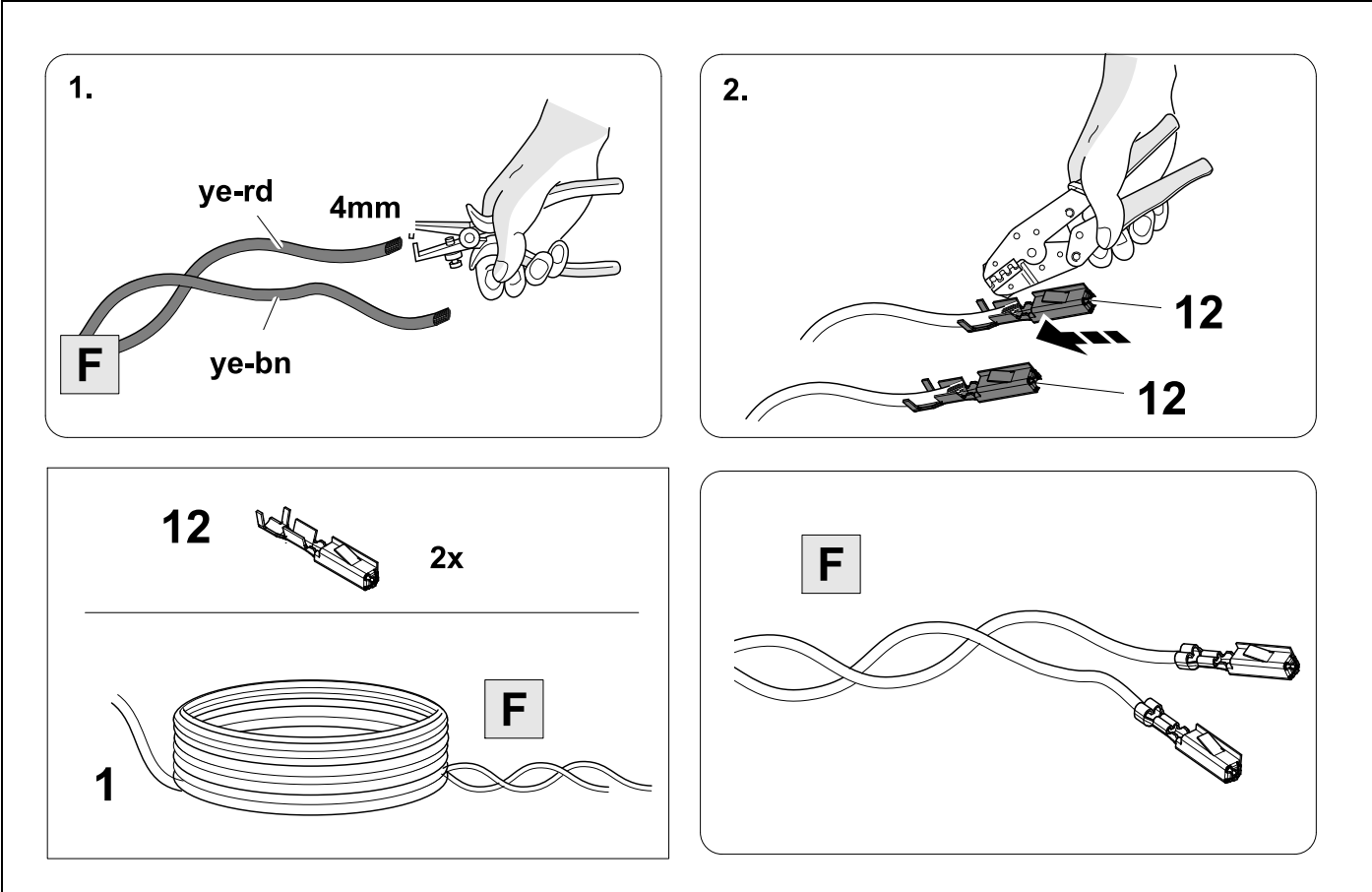


12

OPTION 1



⇒ 22

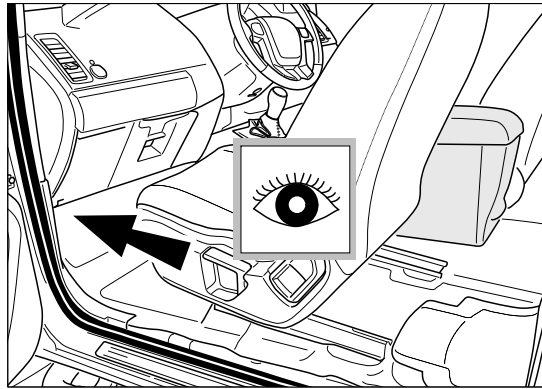
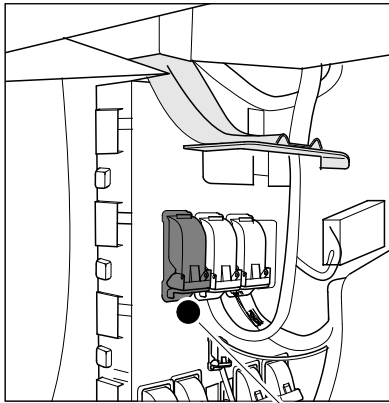


13

OPTION 1

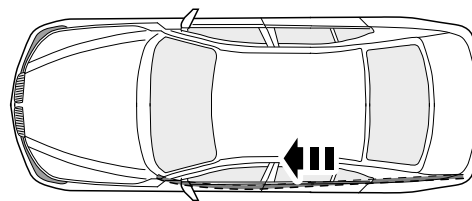
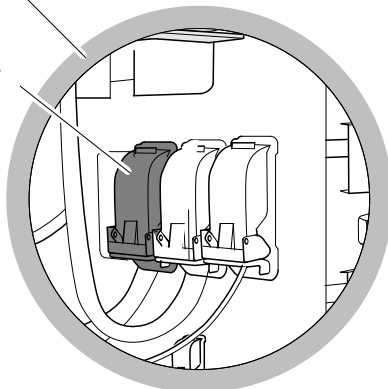


22

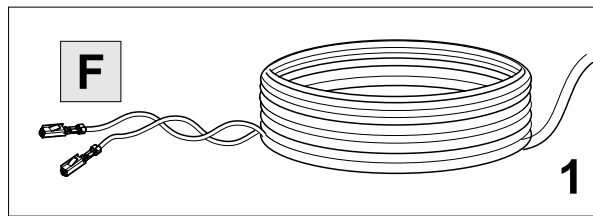
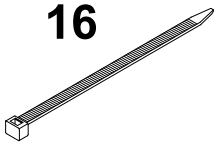


CAN

bk



16



14

OPTION 1

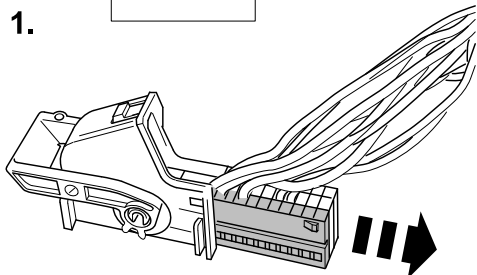


22

G30

CAN

1.



2.

PIN 49

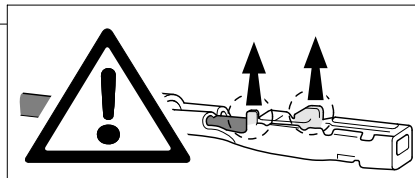
ye-rd

F

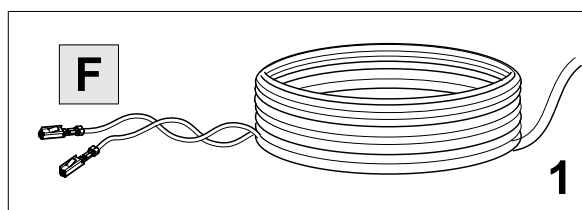
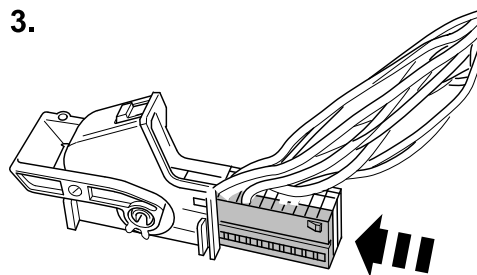
PIN 50

ye

gy



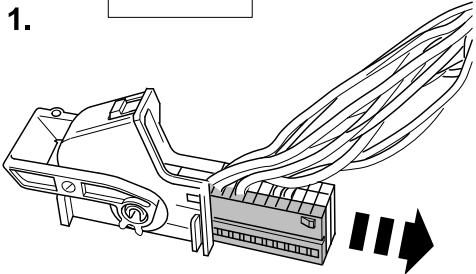
3.



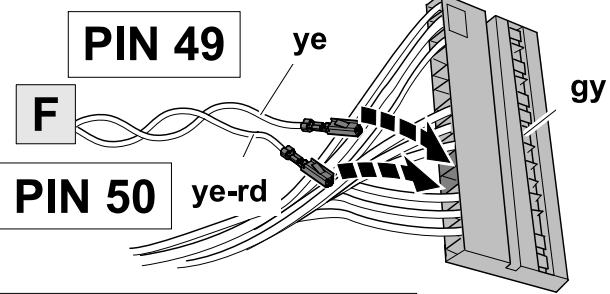


CAN

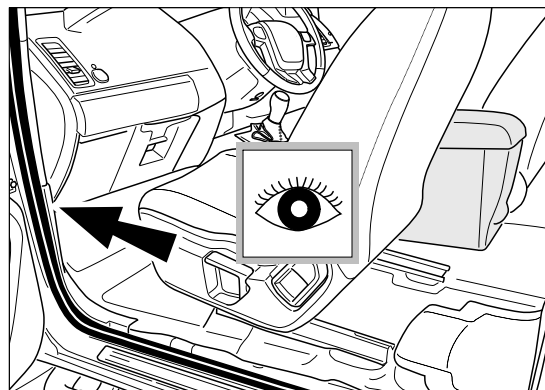
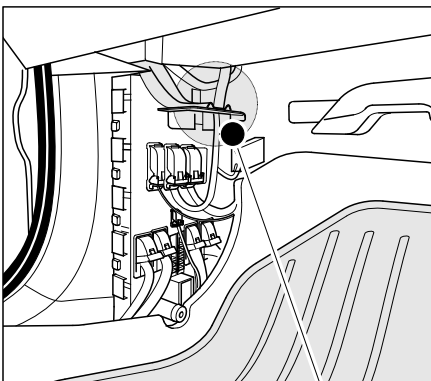
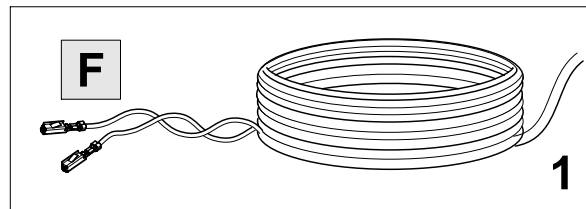
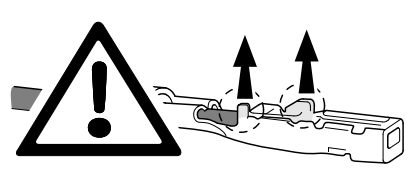
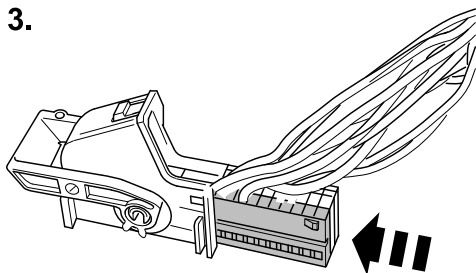
1.



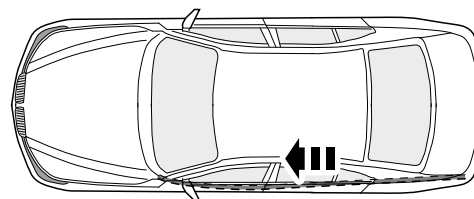
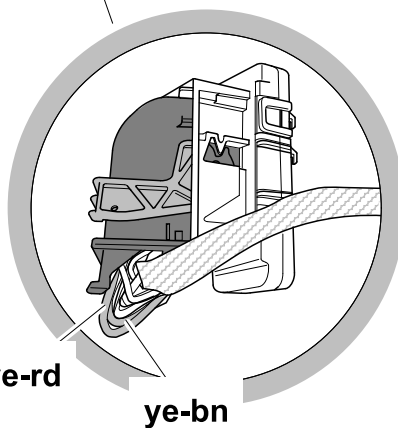
2.



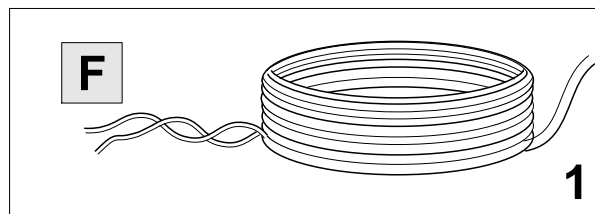
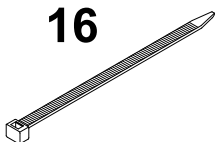
3.

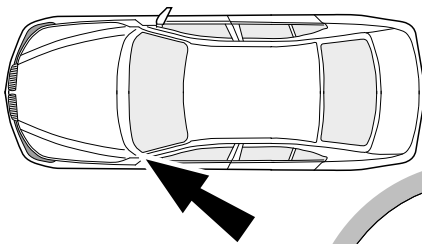


CAN

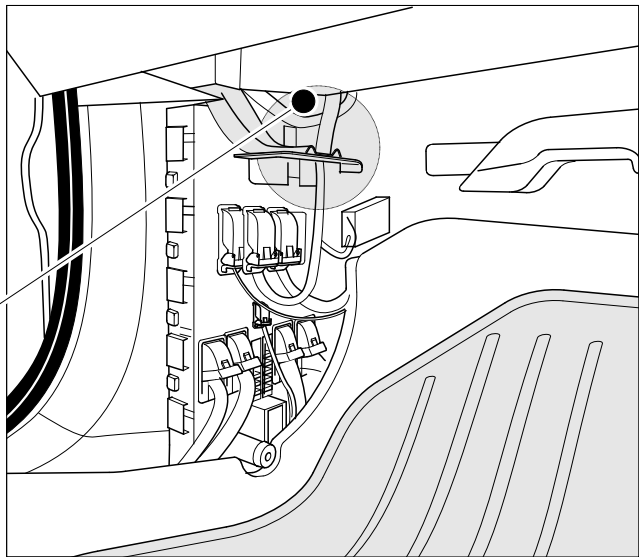
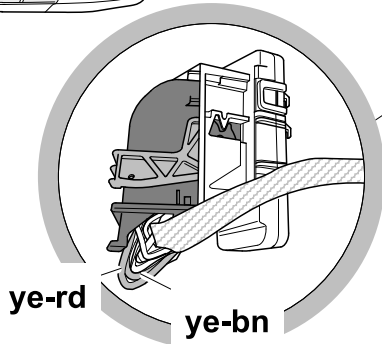


16

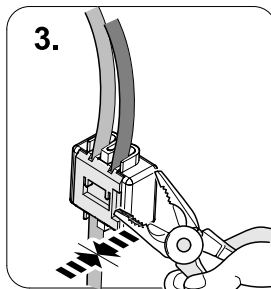
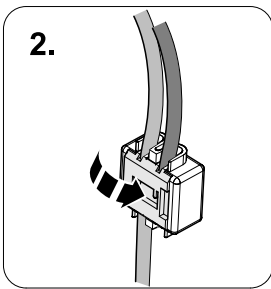
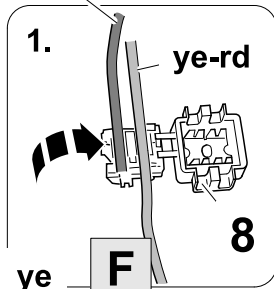




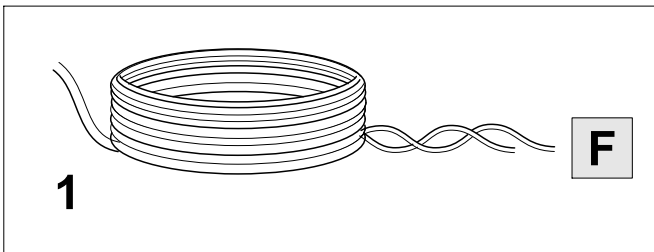
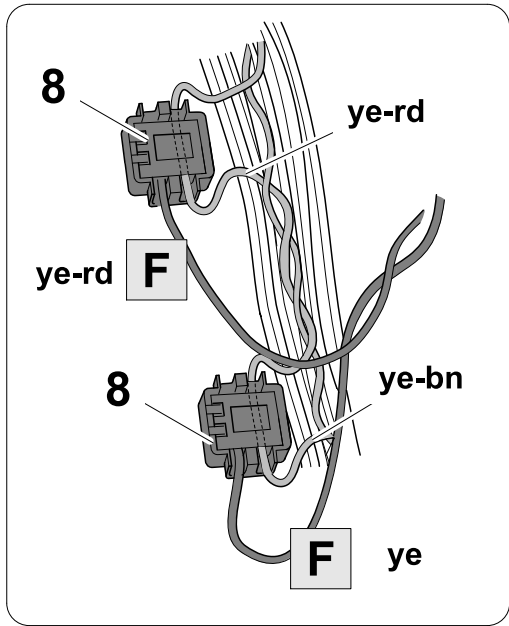
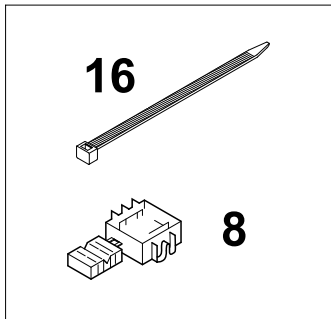
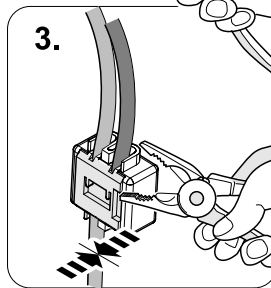
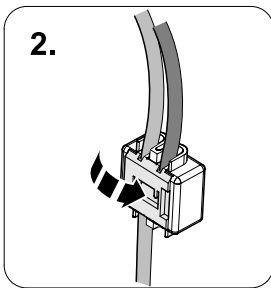
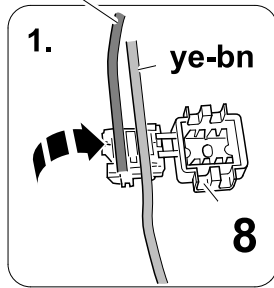
CAN



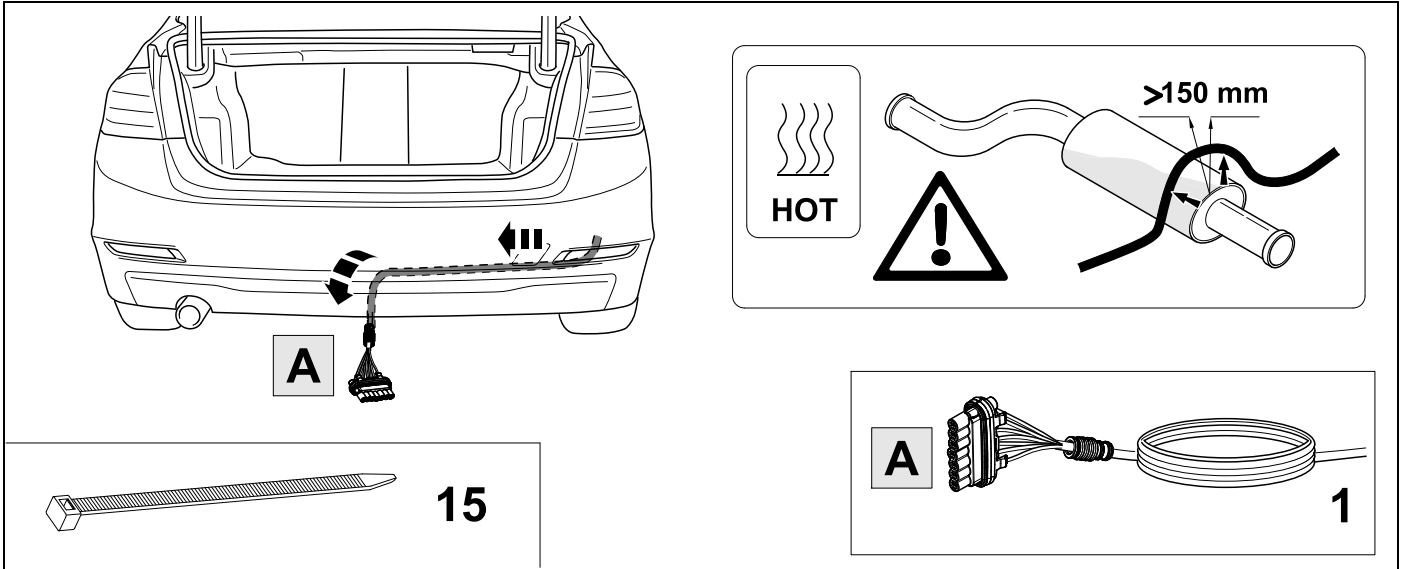
ye-rd **F**



ye **F**



18



15

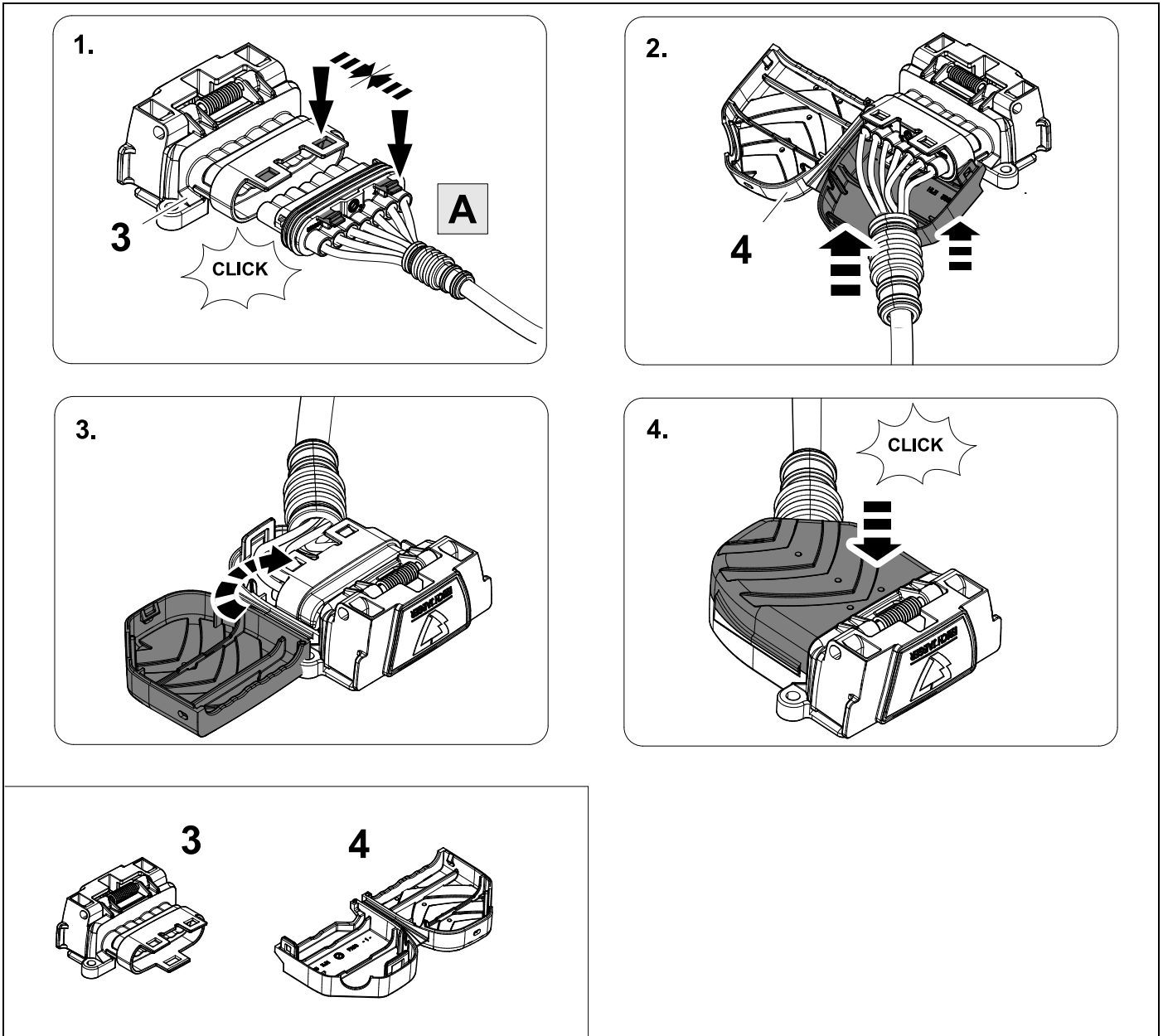
A

1

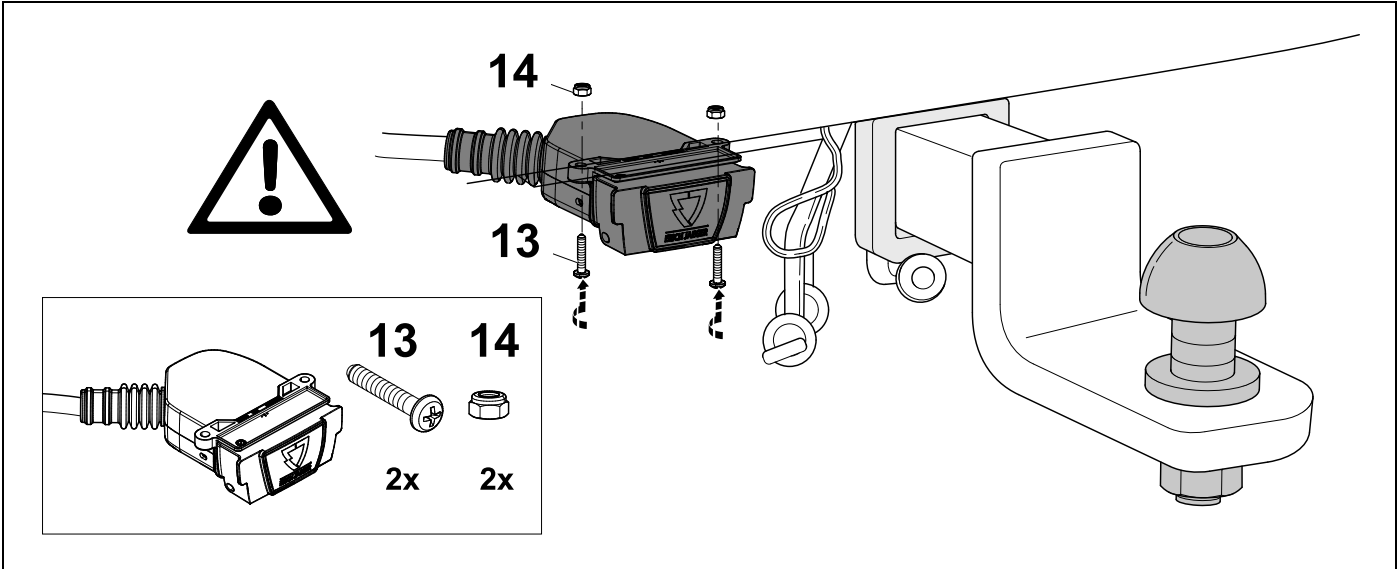
19



20



20



21



22

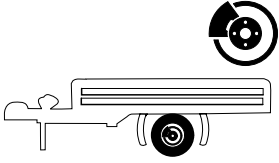
1	ye	
2	bk	
3	wh	
4	gn	
5	bu	
6	rd	
7	bn	

22	bk	wh	gy	gn	rd	bu	ye	bn	pu	or	no
----	----	----	----	----	----	----	----	----	----	----	----

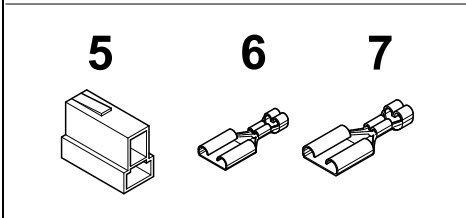
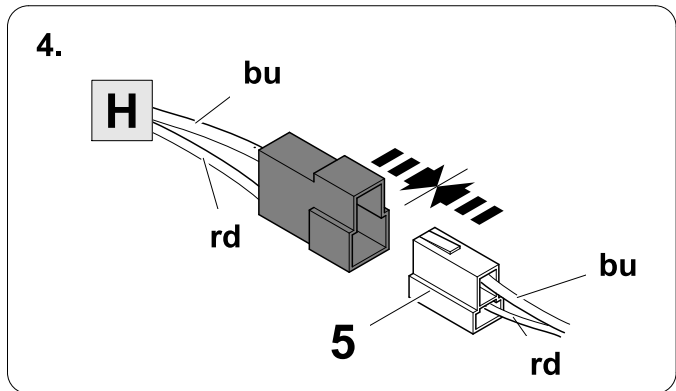
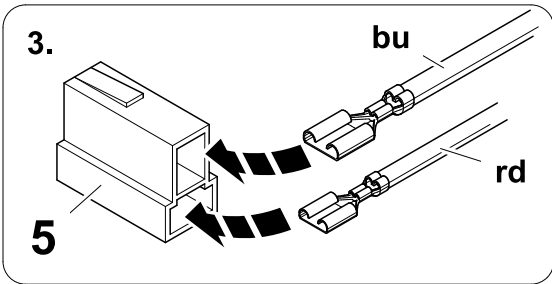
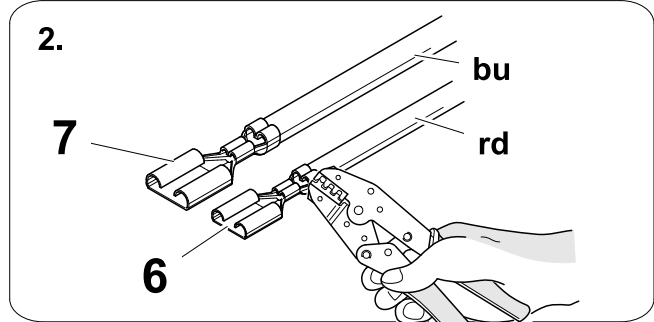
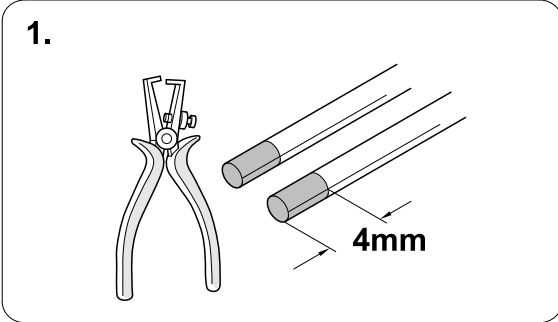
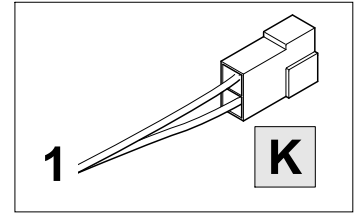
	black	white	grey	green	red	blue	yellow	brown	purple	orange	not occupied
--	-------	-------	------	-------	-----	------	--------	-------	--------	--------	--------------



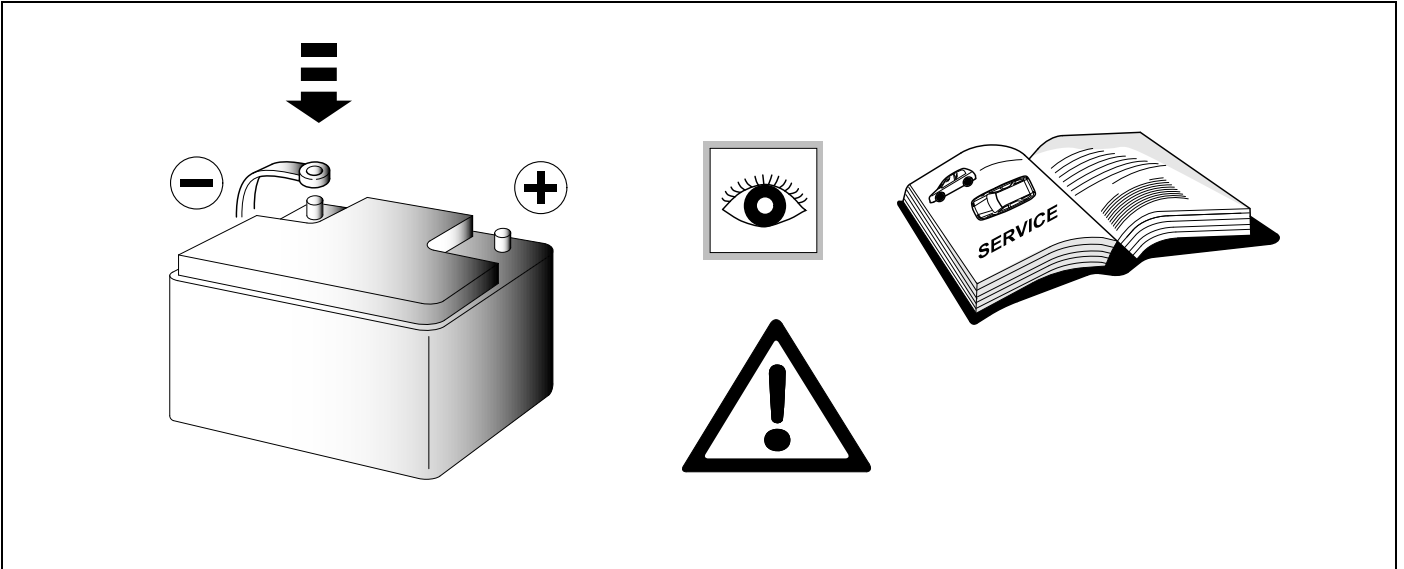
**BRAKE
CONTROLLER
PREPARED**



Trailer Brake Preparation

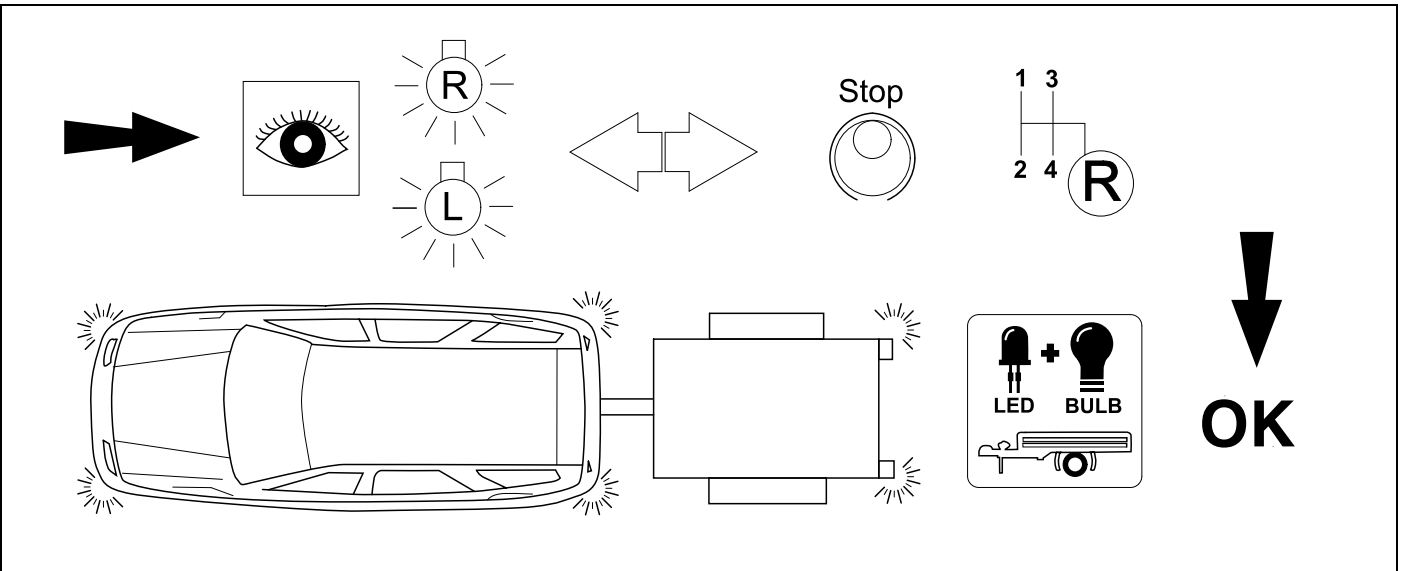


24



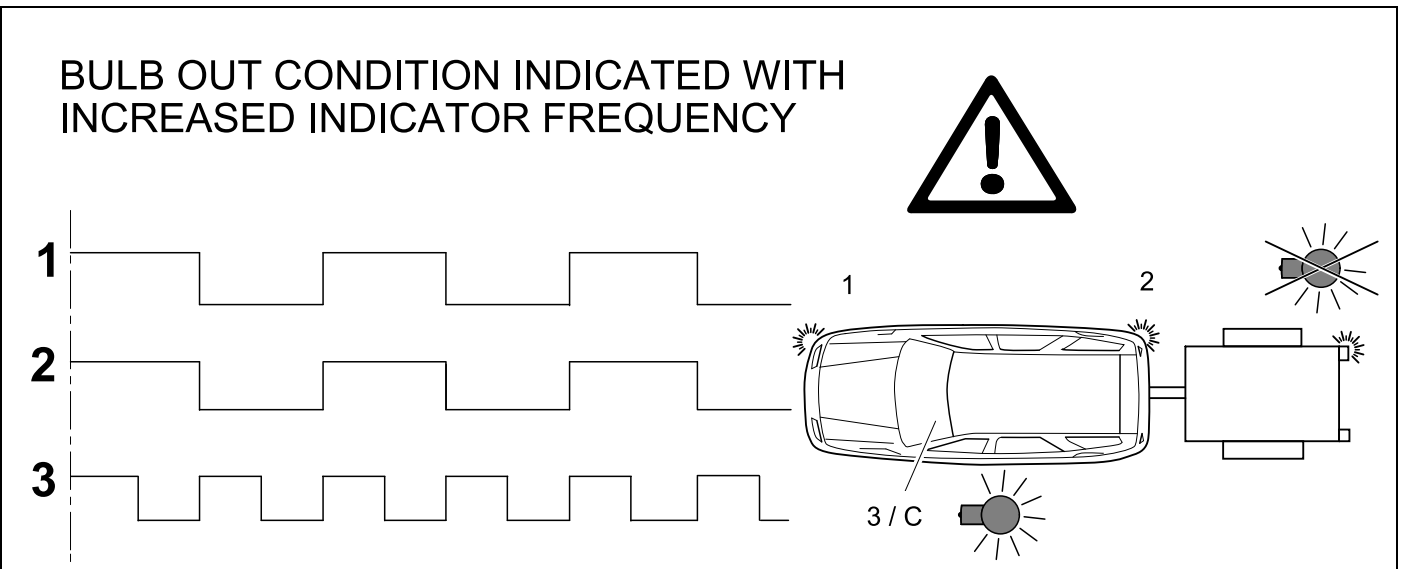
25

CHECK ALL LIGHTING FUNCTIONS



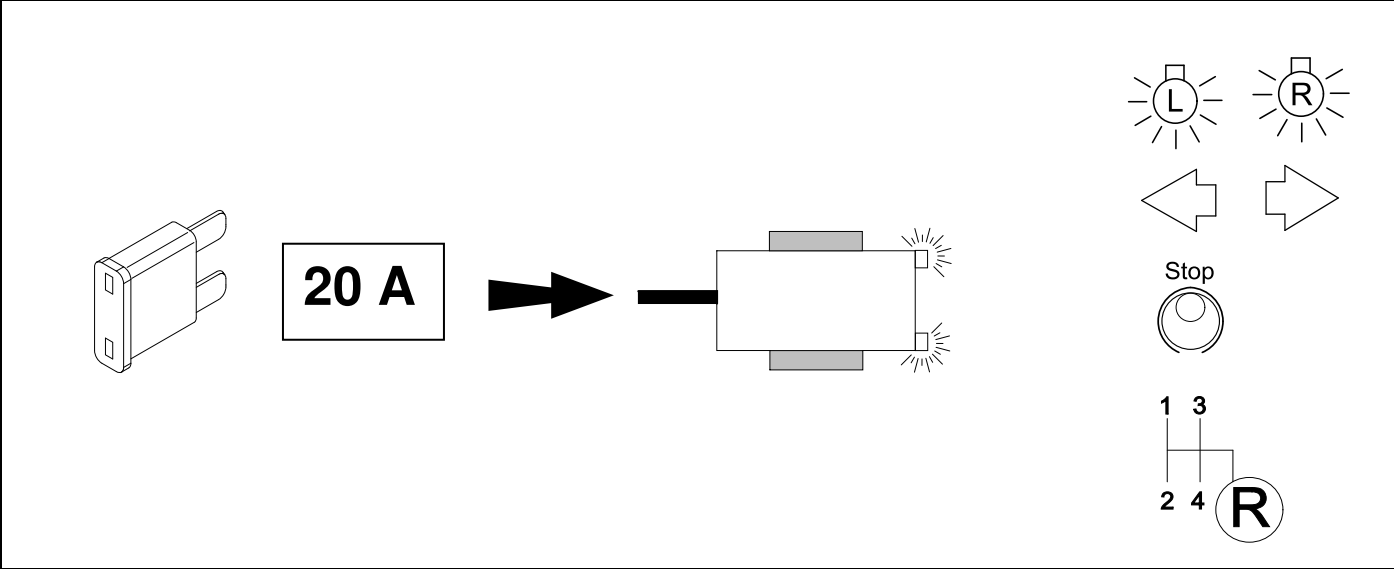
26

CHECK BULB OUT DETECTION

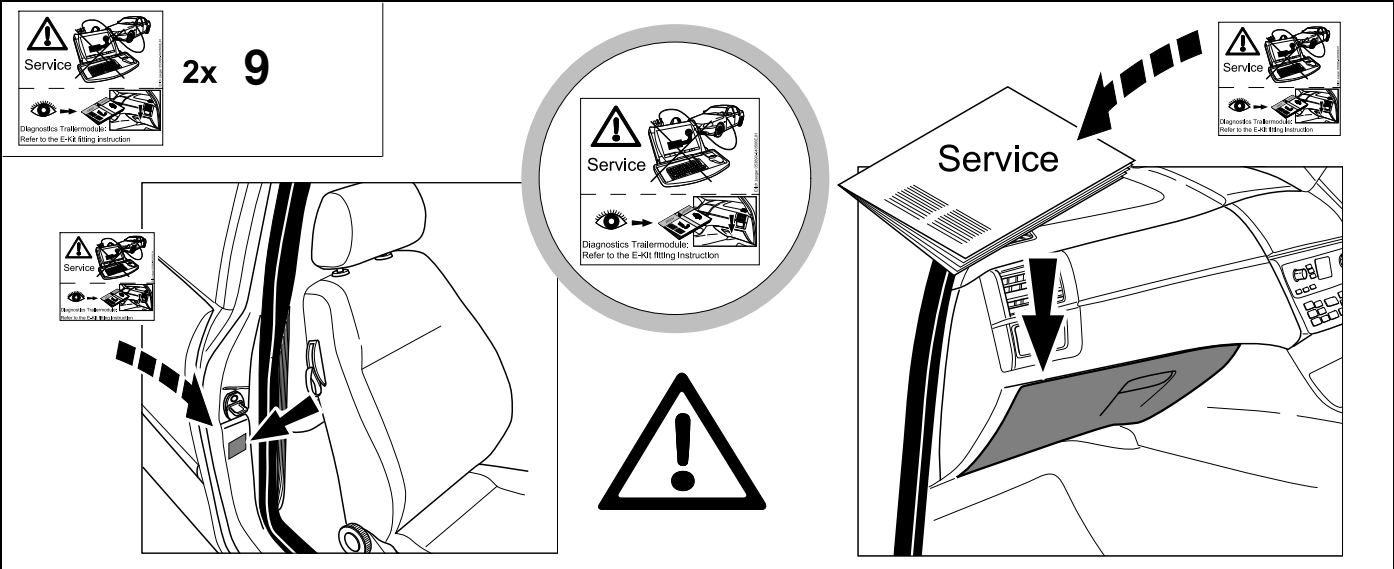


27

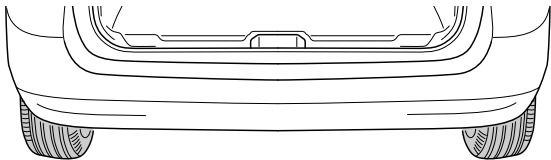
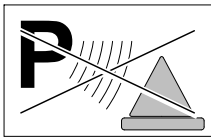
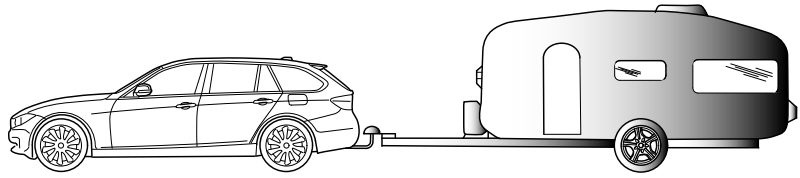
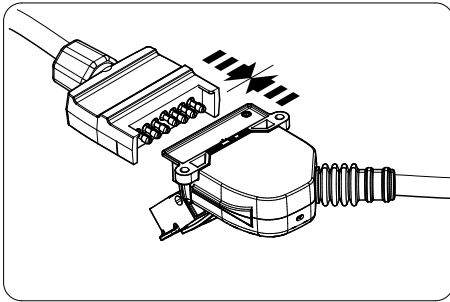
⇒ 10



28



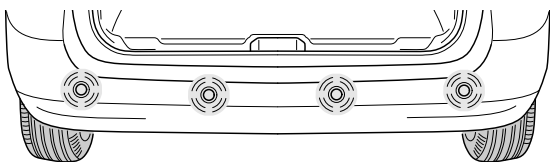
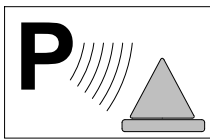
If the PDC does not automatically deactivate, coding and initialization of the module might be required.



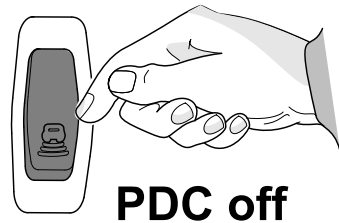
OPTION 1



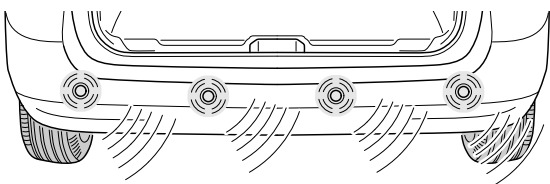
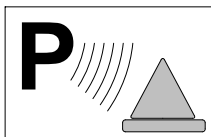
No Coding



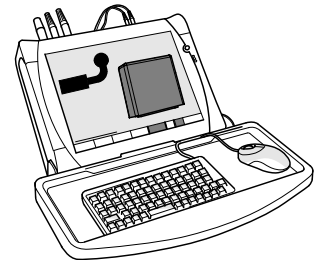
OPTION 2



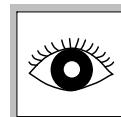
PDC off



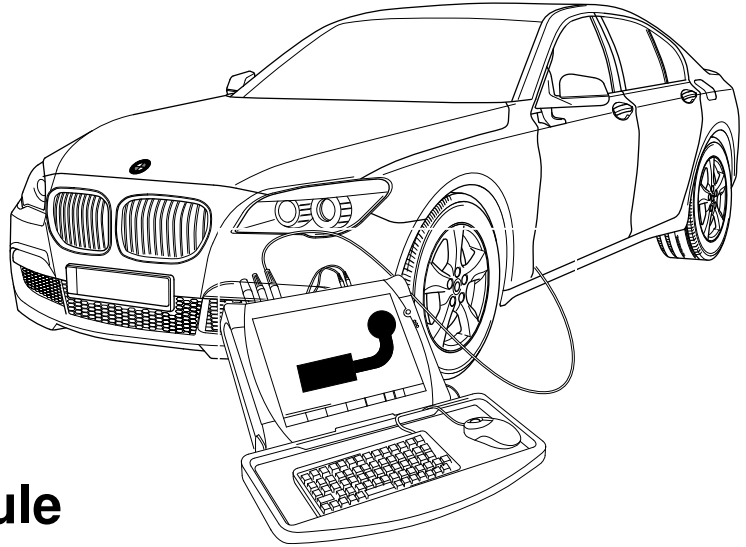
OPTION 3



BMW Service ISTA/P
Initialize Trailer Module



30



BMW Service ISTA/P Initialize Trailer Module



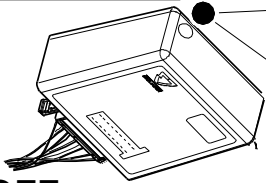
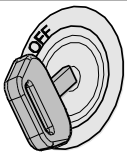
Please effect coding as follows:

- Connect computer to vehicle
- Start ISTA/P
- Click "Modification / Upgrades"
- Scan Action plan
- Click „Coding (Ethernet)“
- Scan Action program follow-up
- Final report checking

After the effected connection, the rear park assist system will also automatically be deactivated in trailer operation!

Status LED for self-diagnosis

Operation Support



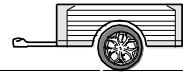
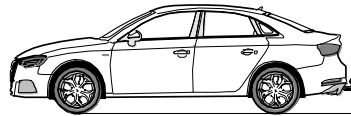
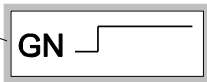
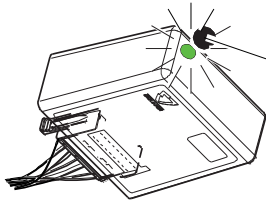
No CAN-Data =



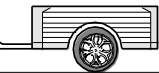
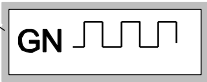
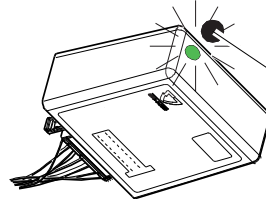
Standby / Sleepmode



Ignition OFF



Ignition ON



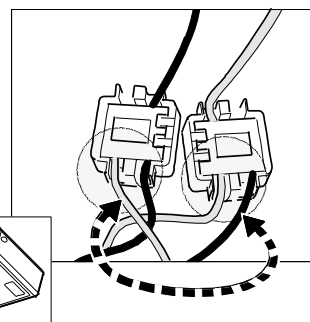
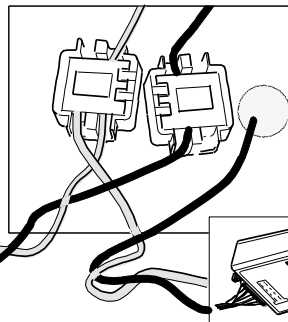
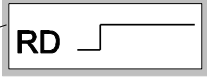
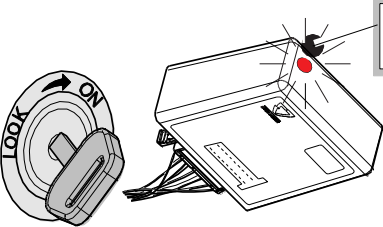
Ignition ON

Failure Support

CAN-Data Wire

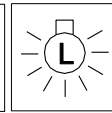
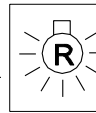


1x max. 5 min.

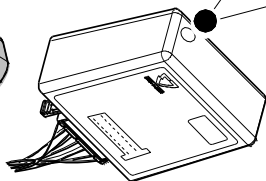


Ignition ON

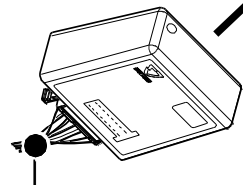
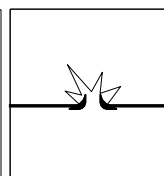
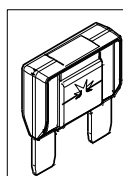
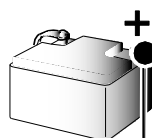
Failure indicated by the module LED glowing red for a maximum of 5 minutes. If trailer connected the tail lights will also glow indicating failure of CAN signal.

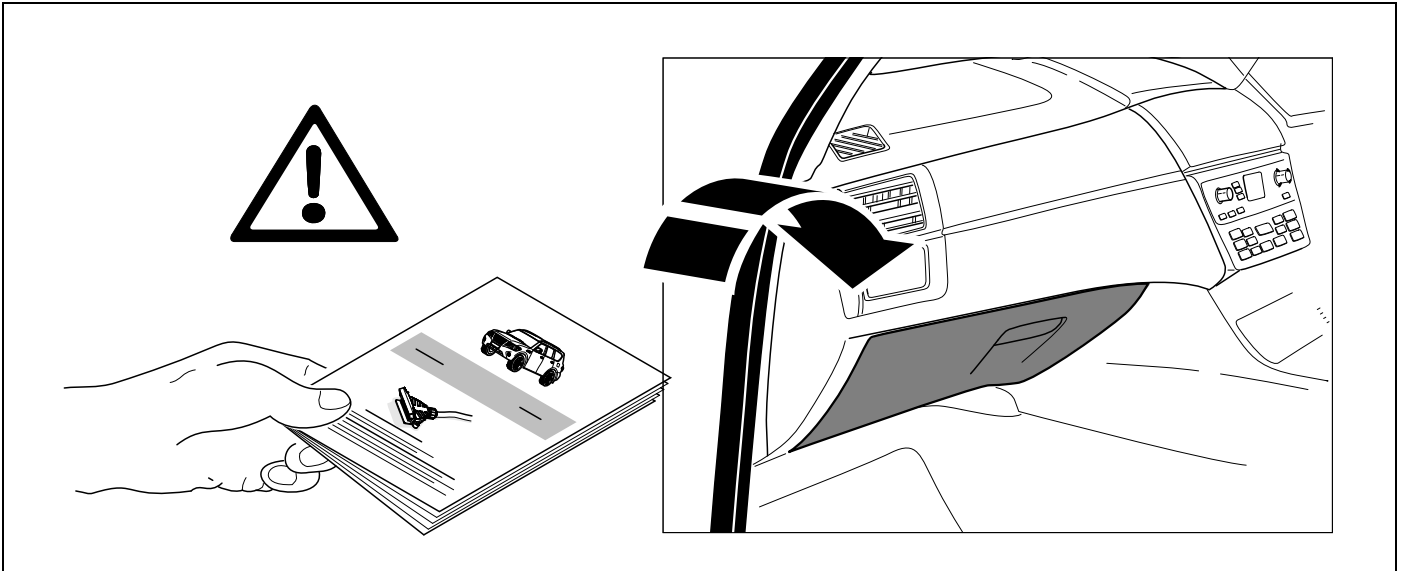


Ignition ON



or





Subject to change in terms of construction, equipment and colour, and may contain errors.
The information and illustrations are non-binding.