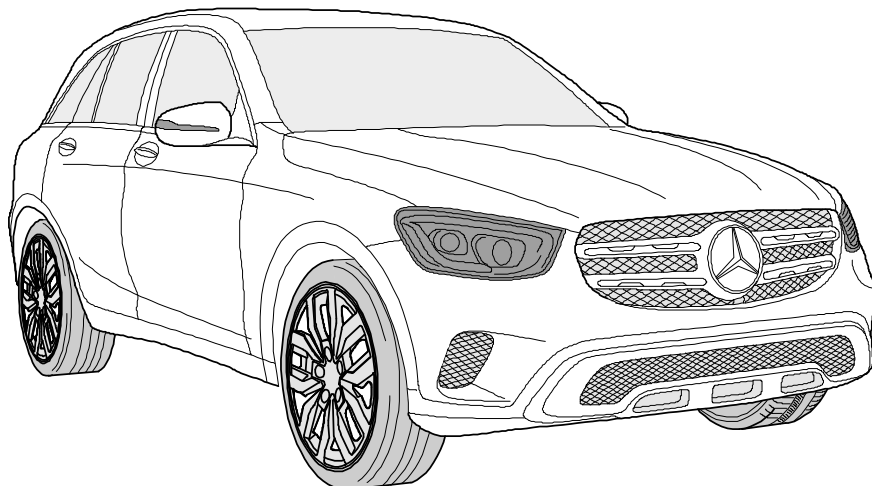




ERICH JAEGER

Installation instructions



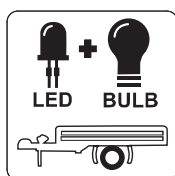
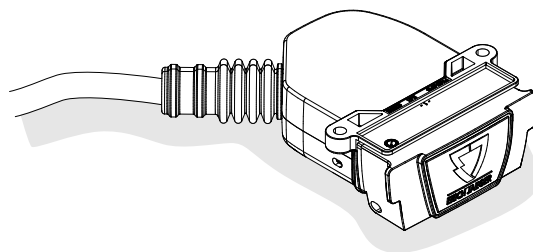
750148

Mercedes Benz GLE W167

01/19 >>

Mercedes Benz GLC X253

07/19 >>



Reference:

The following information must be reviewed before beginning the assembly:

The installation instructions are to be thoroughly read.

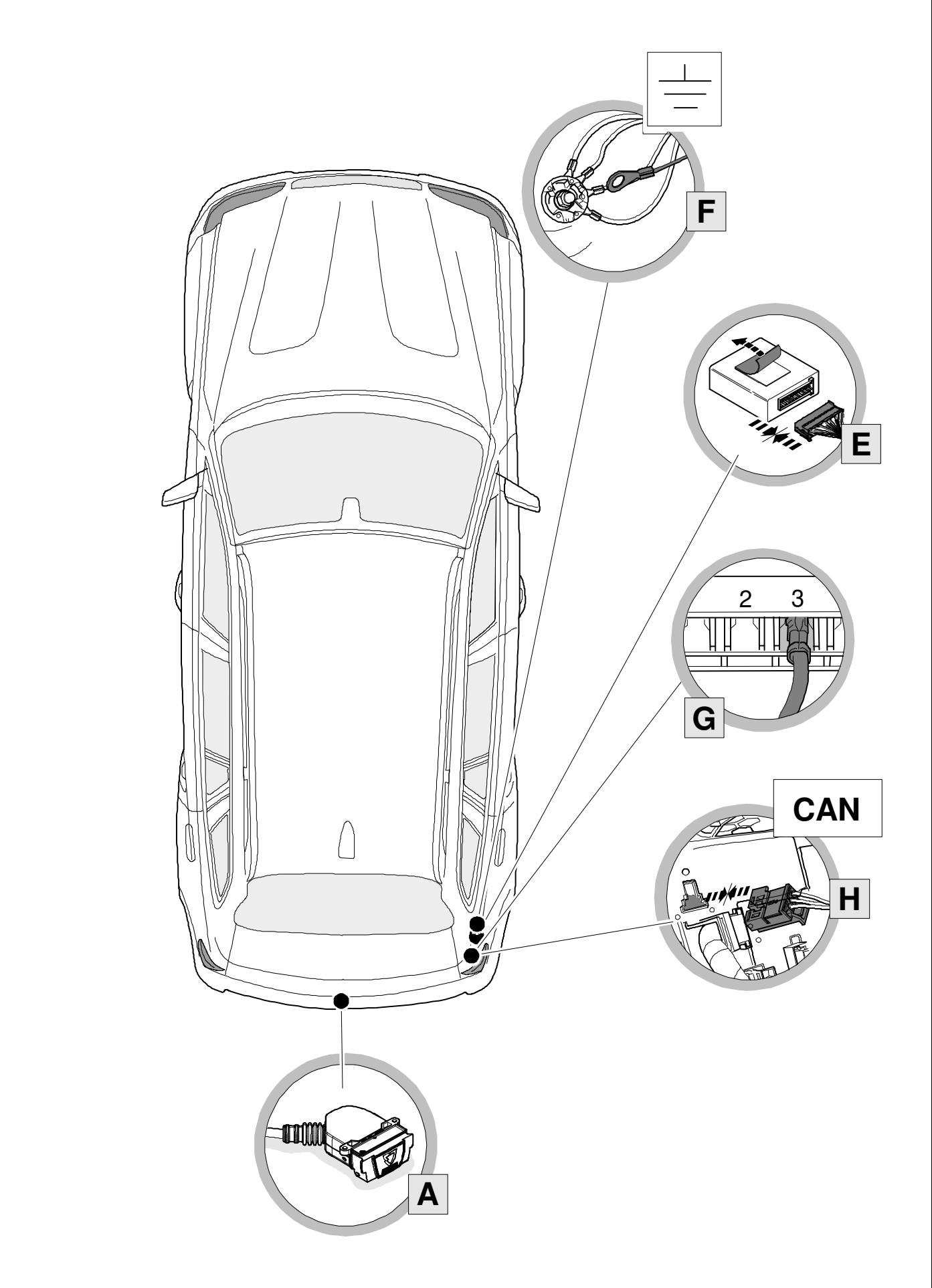
The installation should be carried out by qualified personnel with the relevant technical knowledge.

The vehicle manufacturers' current technical notices and information on retrofitting must be followed.

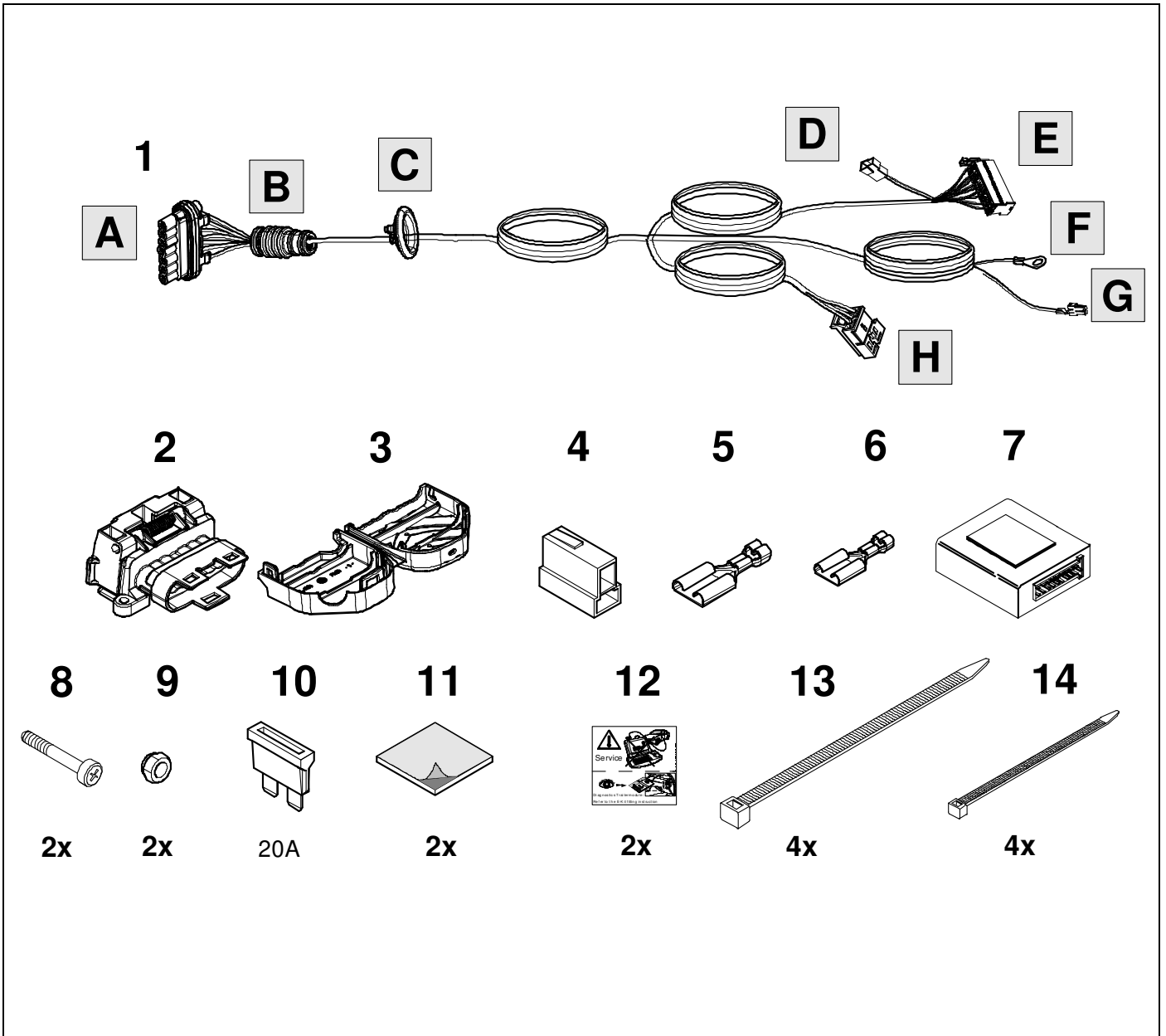
The removal and replacement instructions found in the current repair manuals must be followed.

It must be ensured that the vehicle is technically suitable for the installation of a trailer hitch.

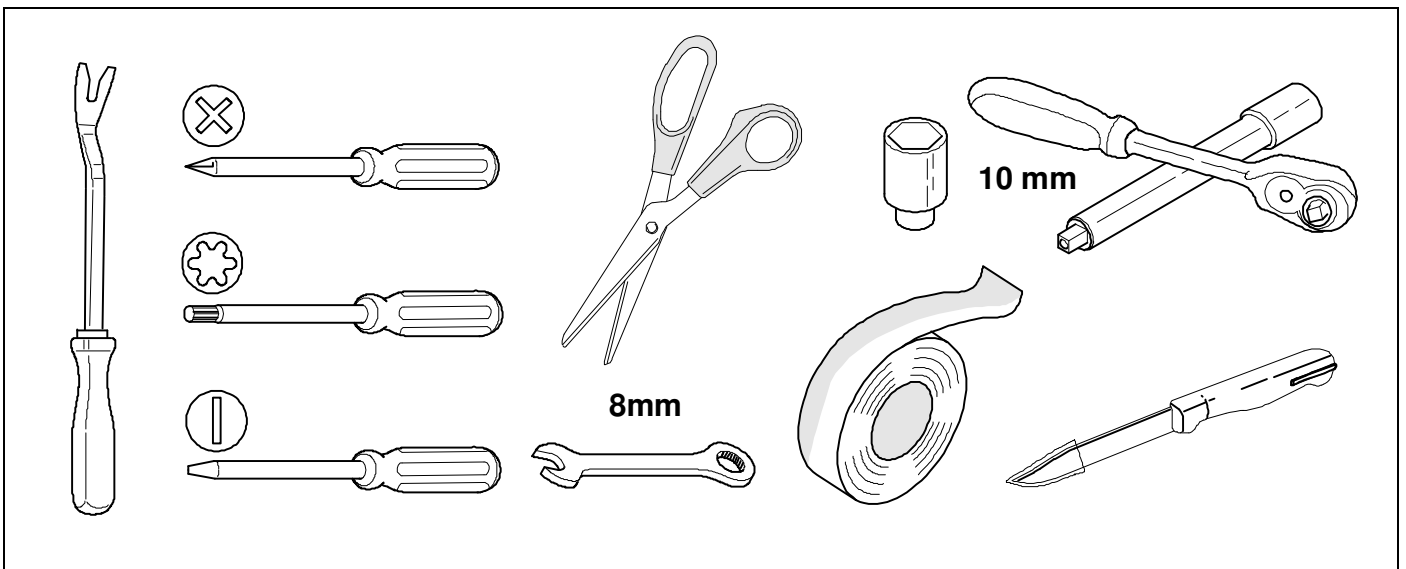
OVERVIEW



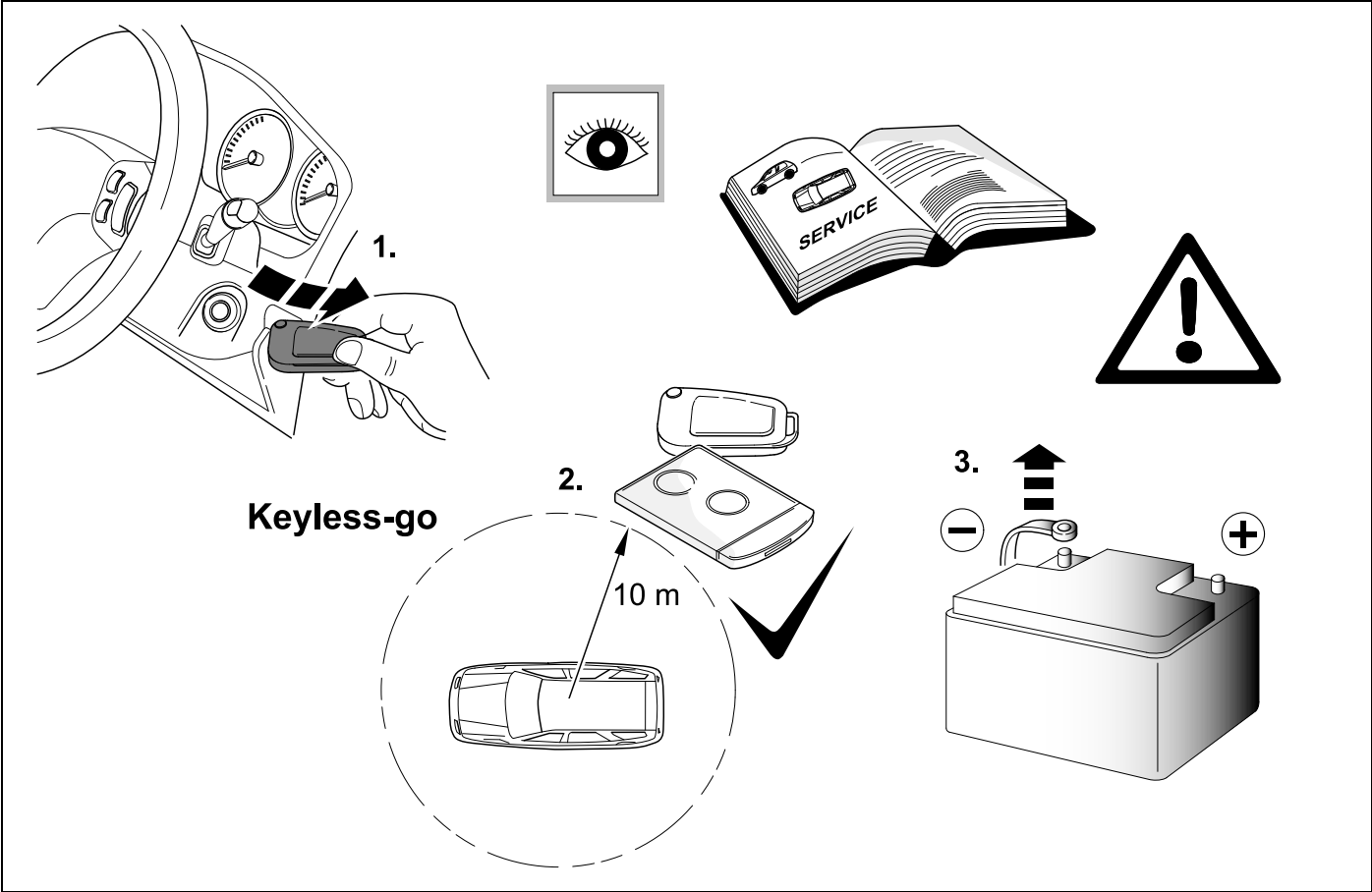
KIT



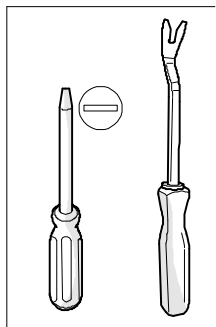
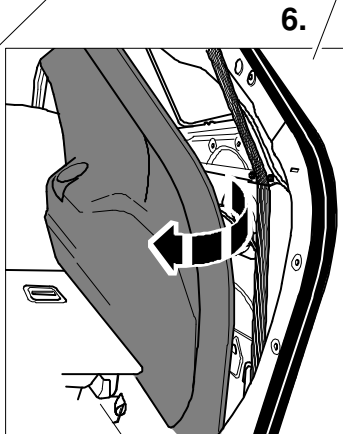
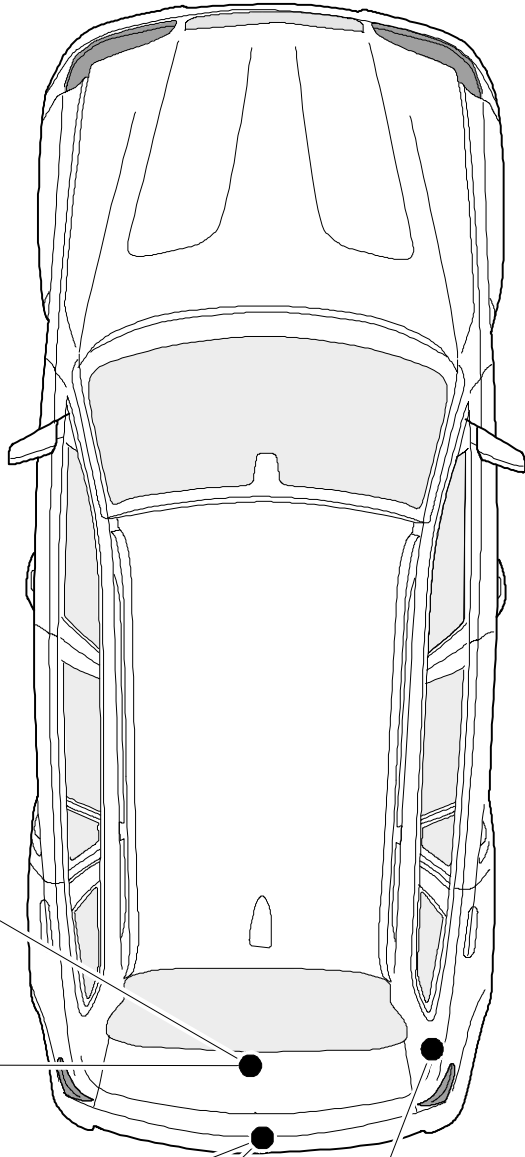
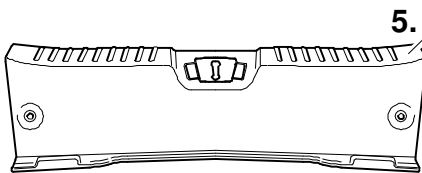
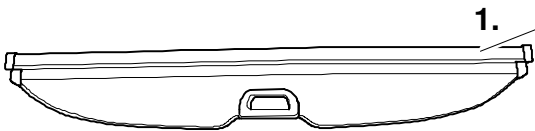
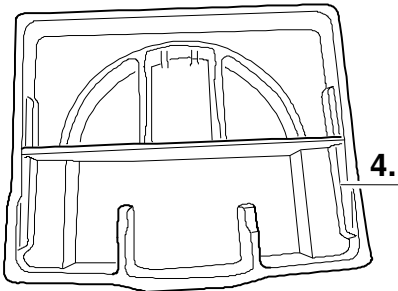
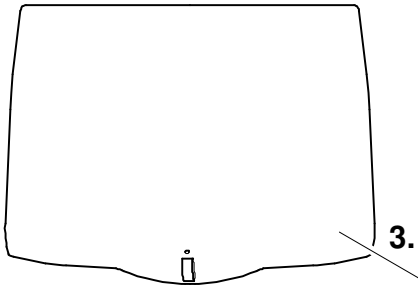
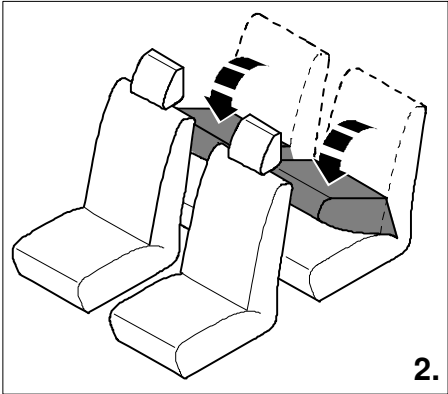
TOOLS

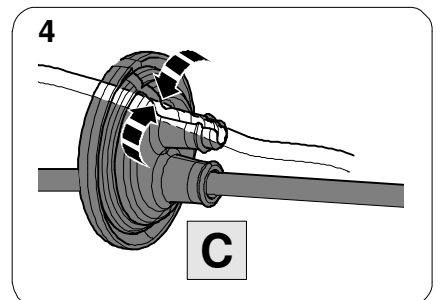
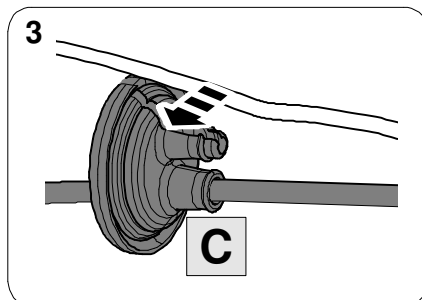
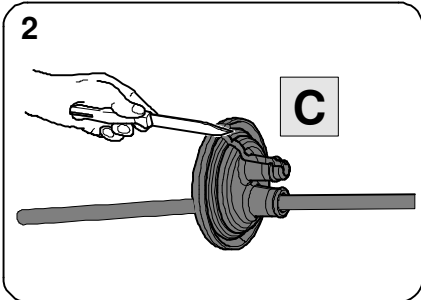
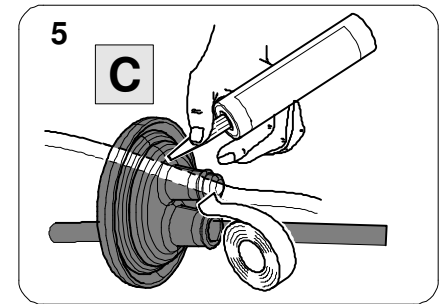
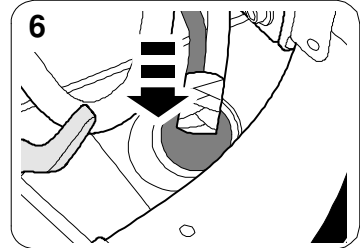
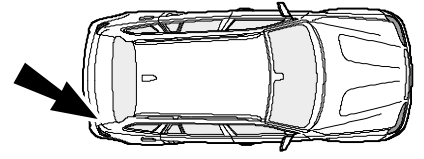
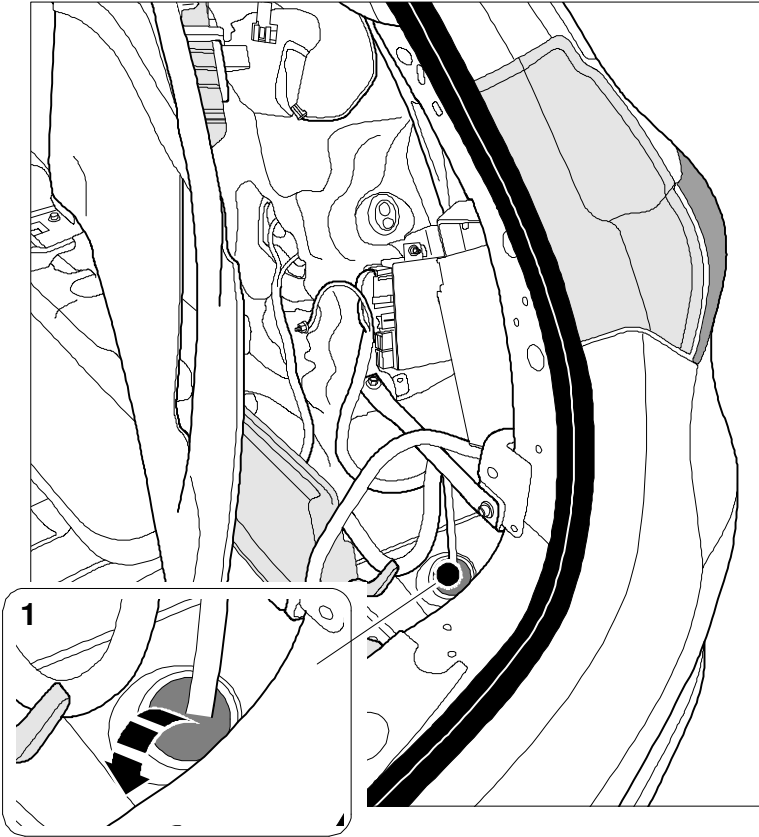


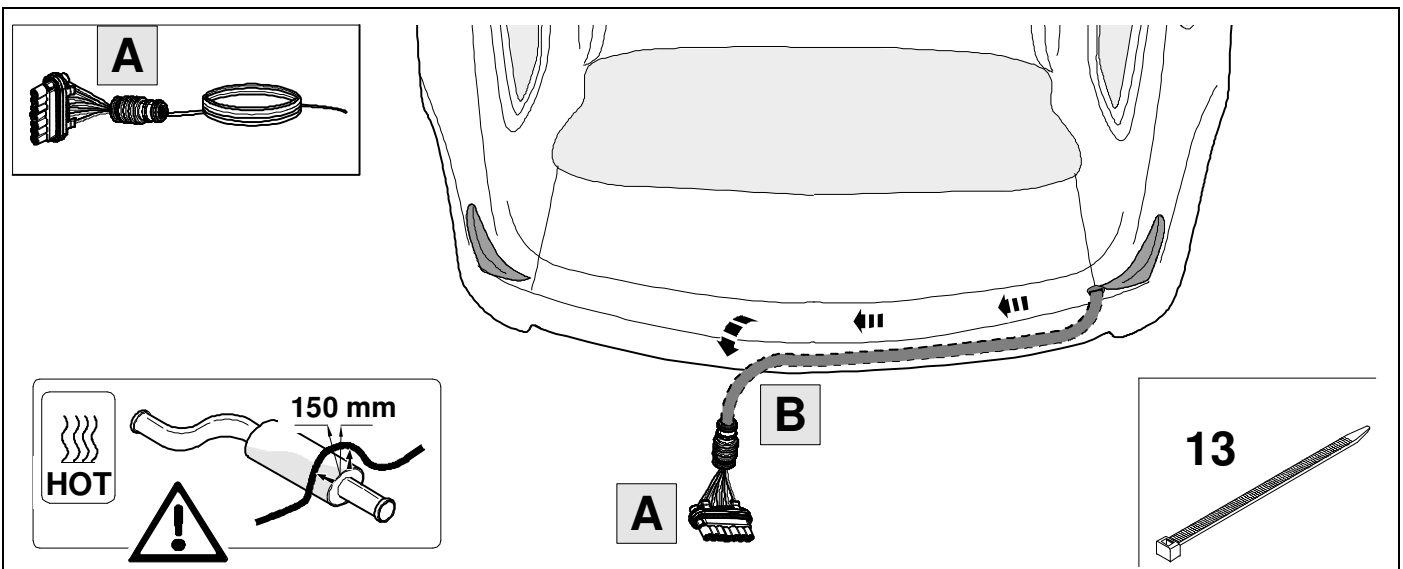
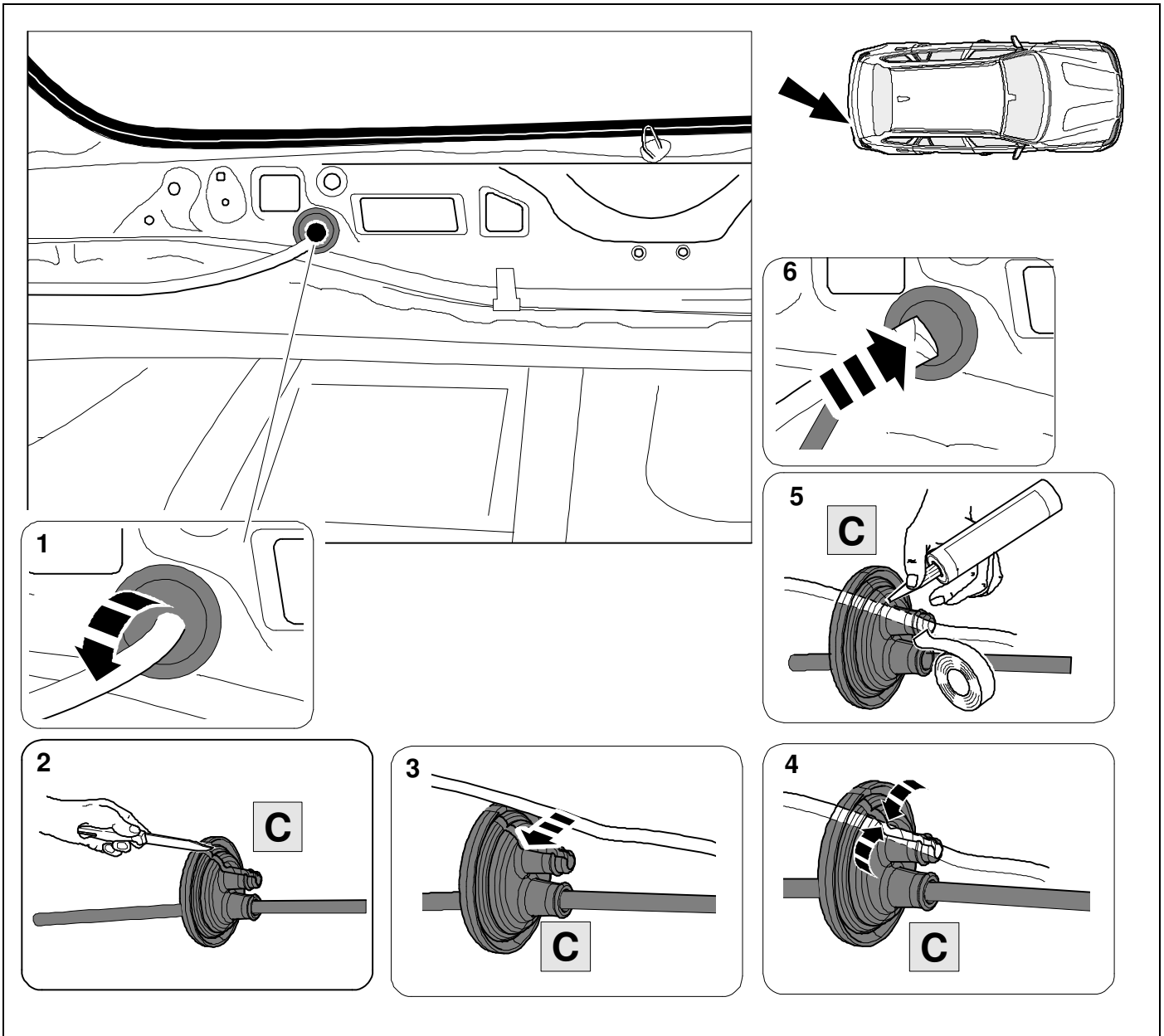
1



2 REMOVE



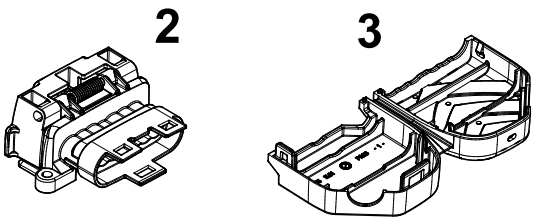
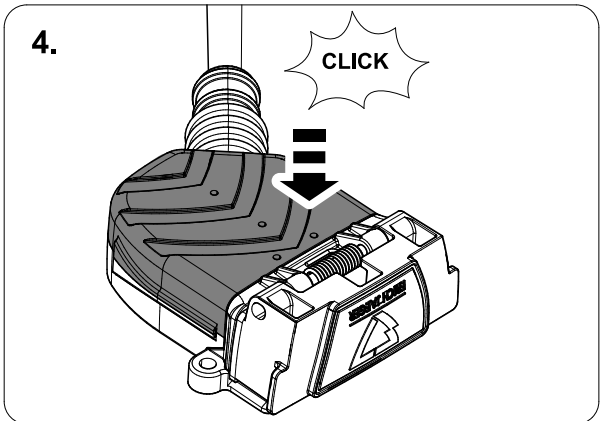
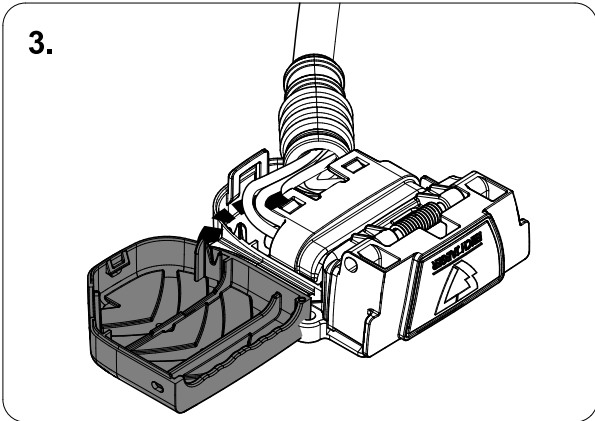
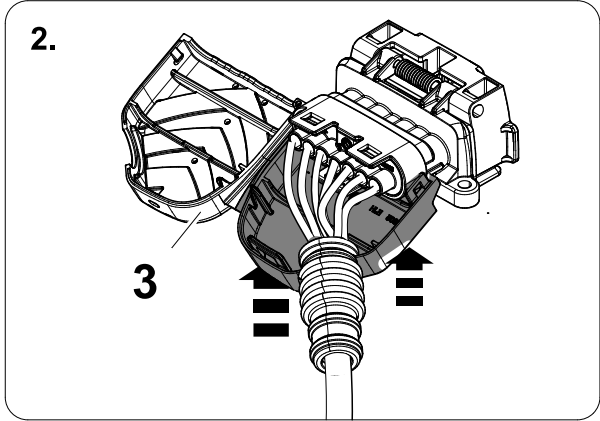
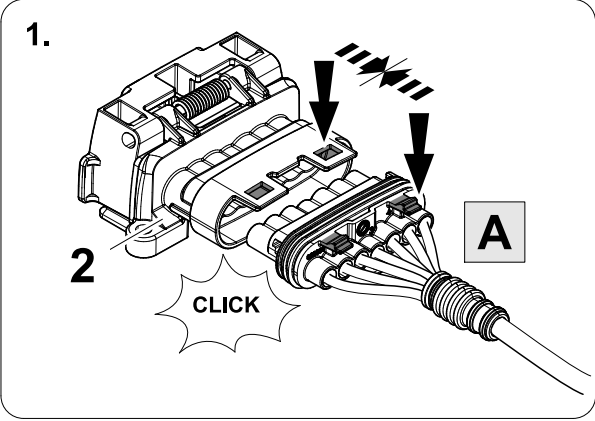




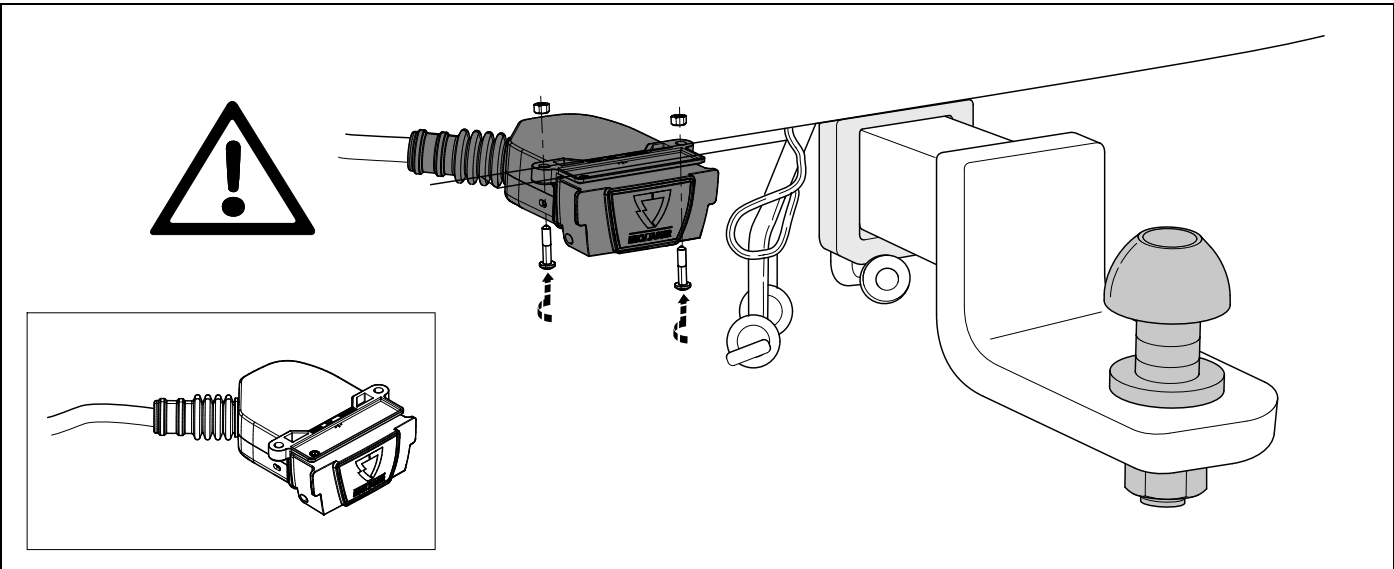
6



8



7



8



9

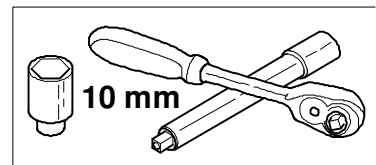
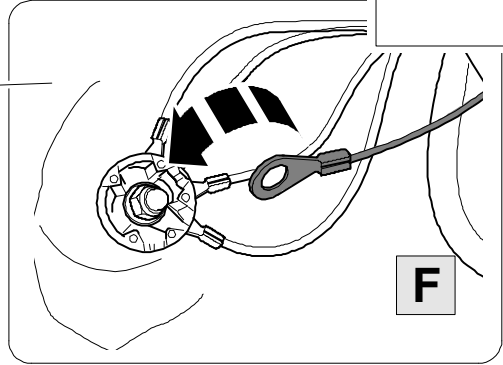
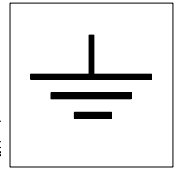
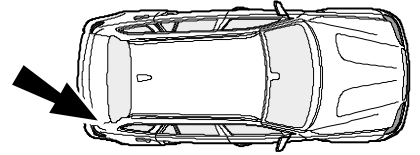
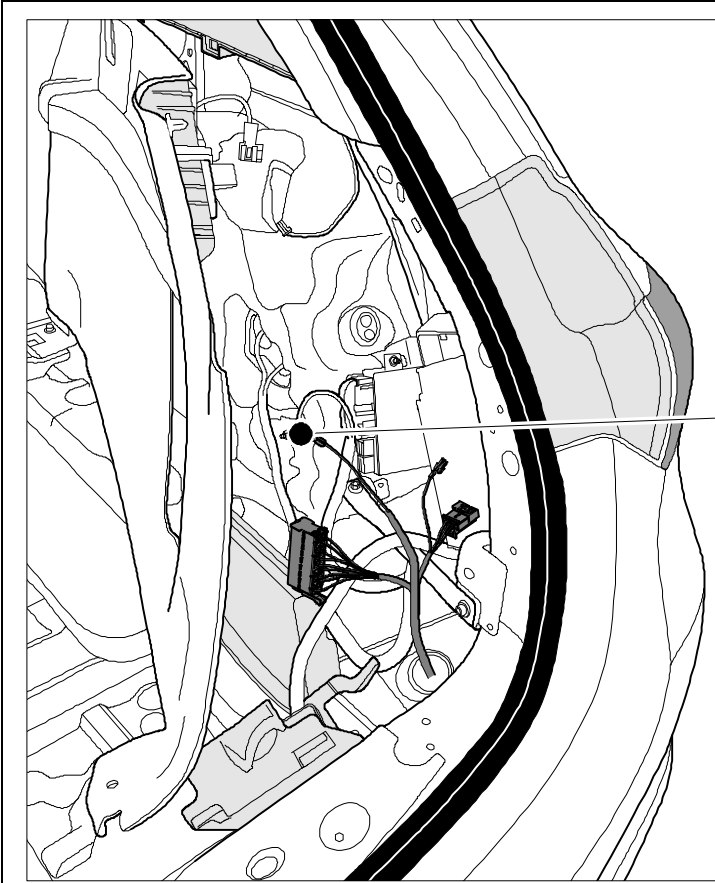
1	ye	
2	bk	
3	wh	
4	gn	
5	bu	
6	rd	
7	bn	

9	bk	wh	gy	gn	rd	bu	ye	bn	pu	or	no
---	----	----	----	----	----	----	----	----	----	----	----

	black	white	grey	green	red	blue	yellow	brown	purple	orange	not occupied
--	-------	-------	------	-------	-----	------	--------	-------	--------	--------	--------------

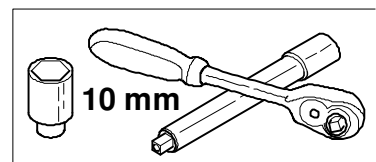
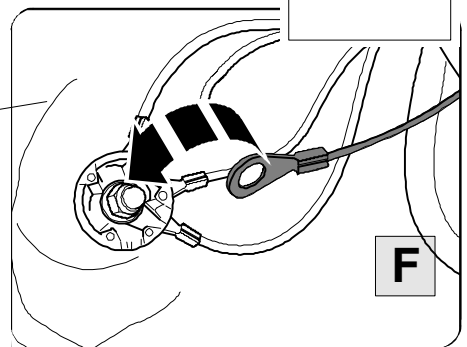
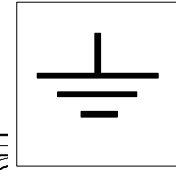
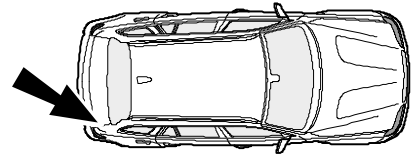
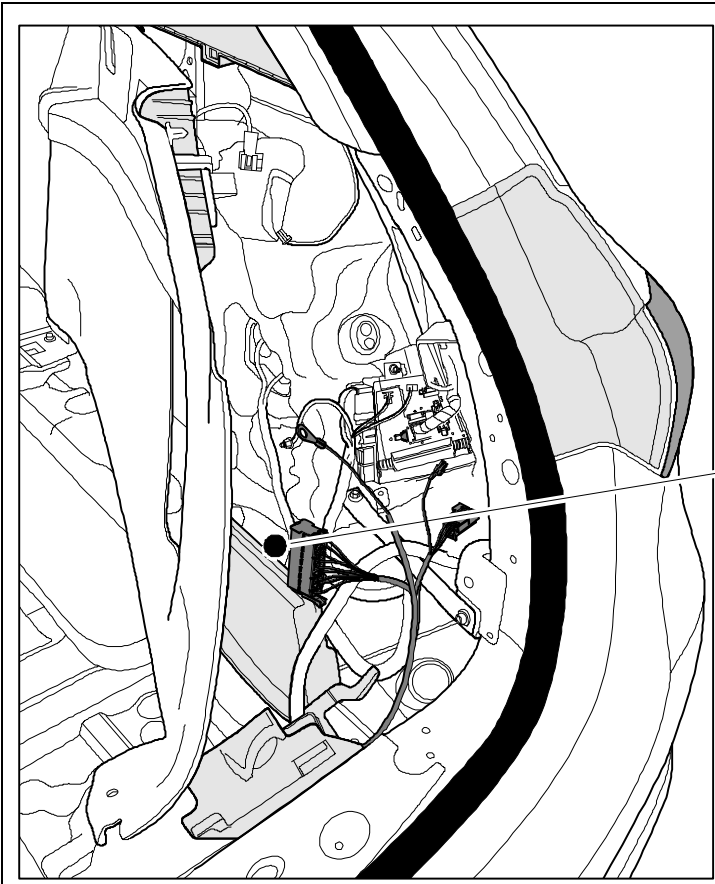
10

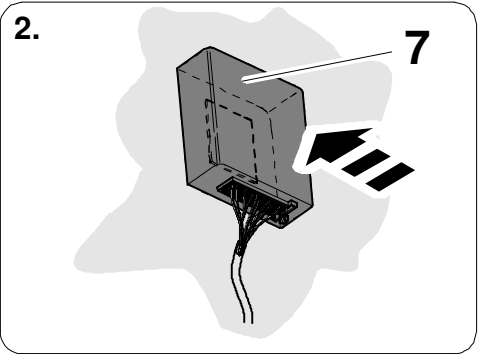
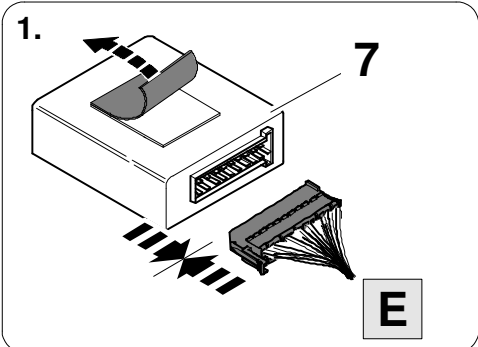
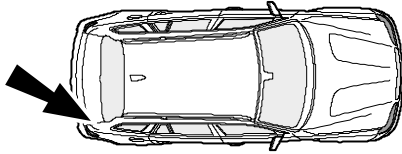
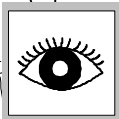
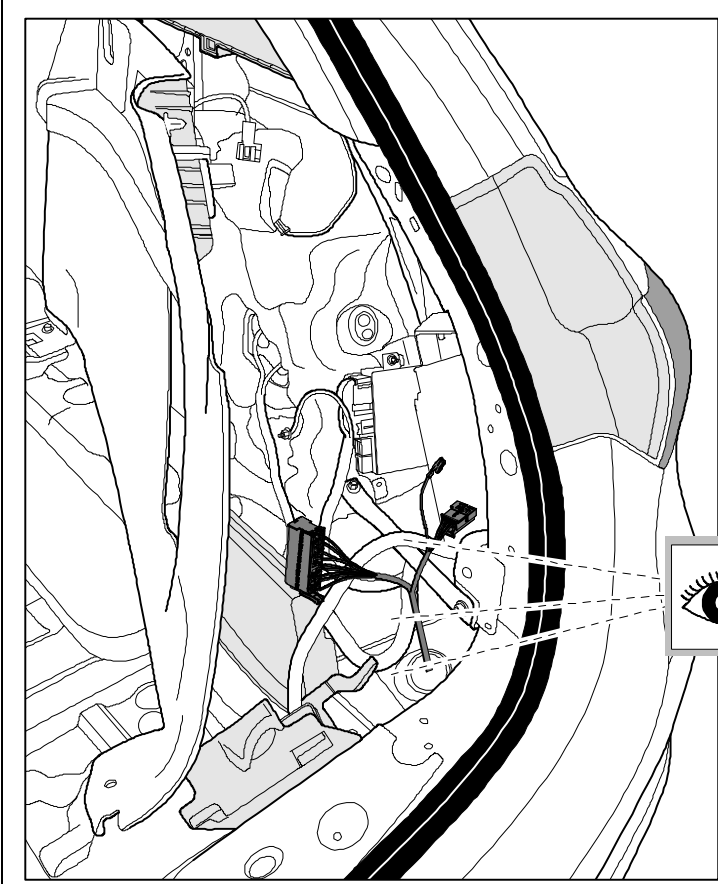
GLE W167

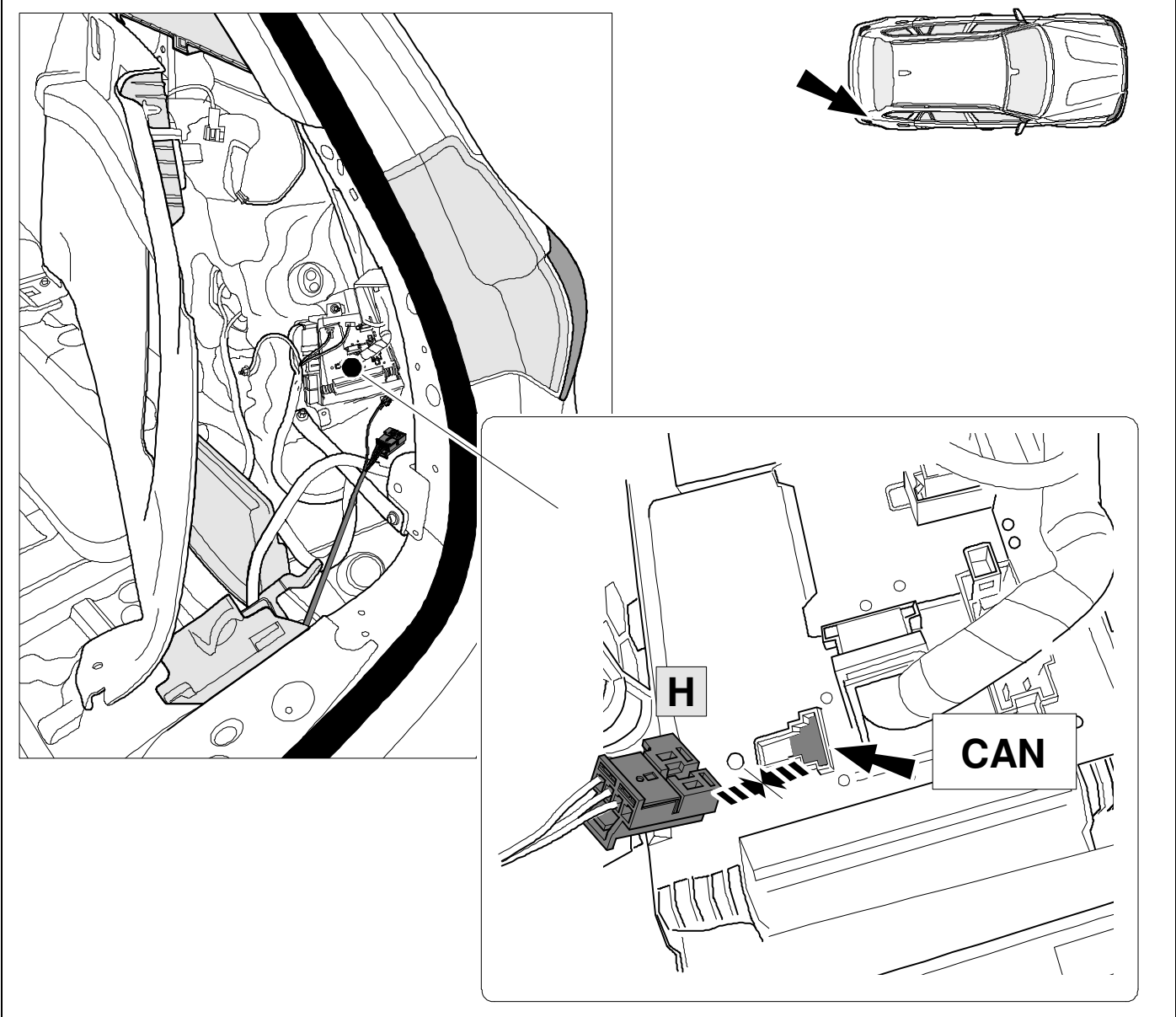


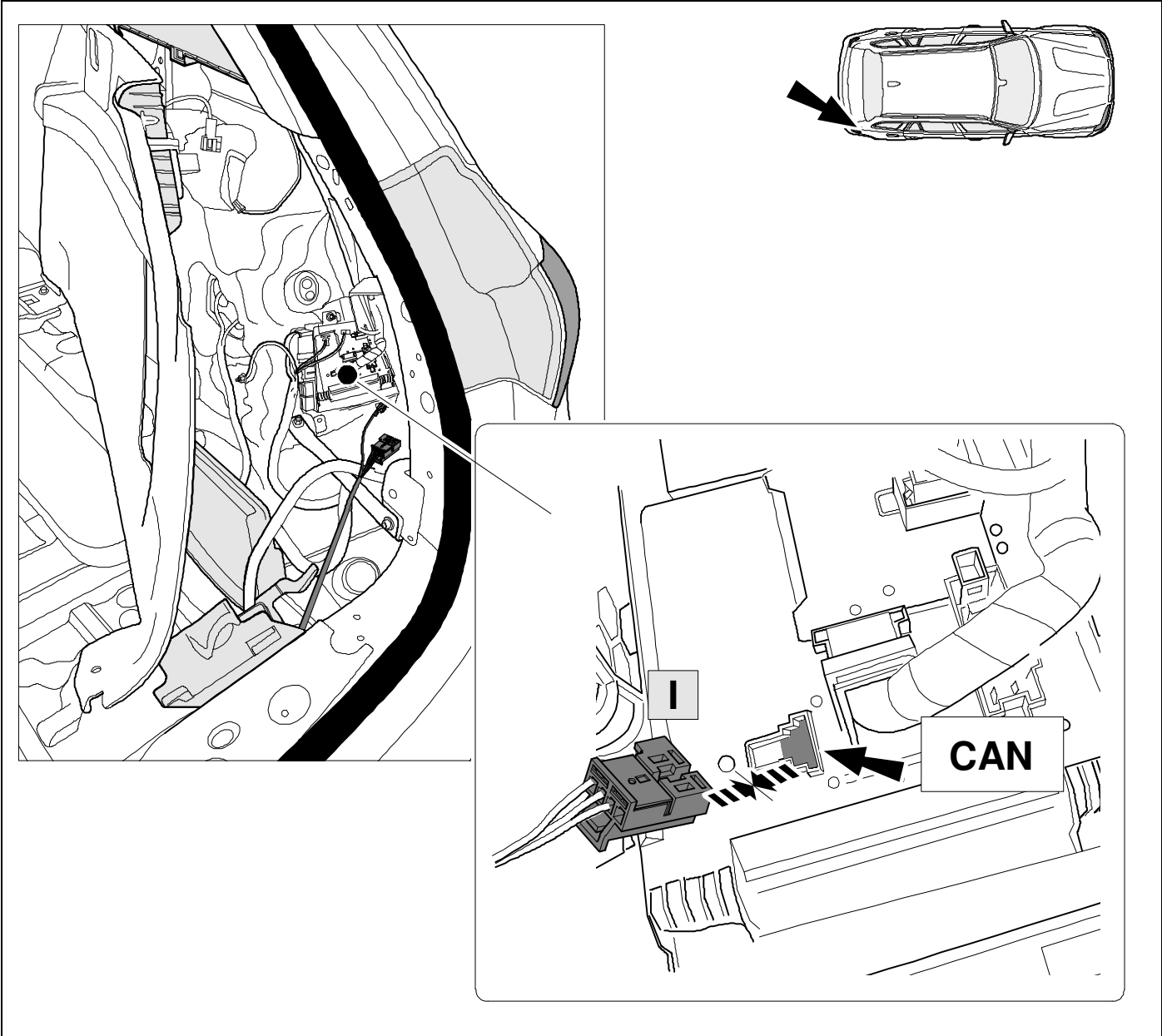
11

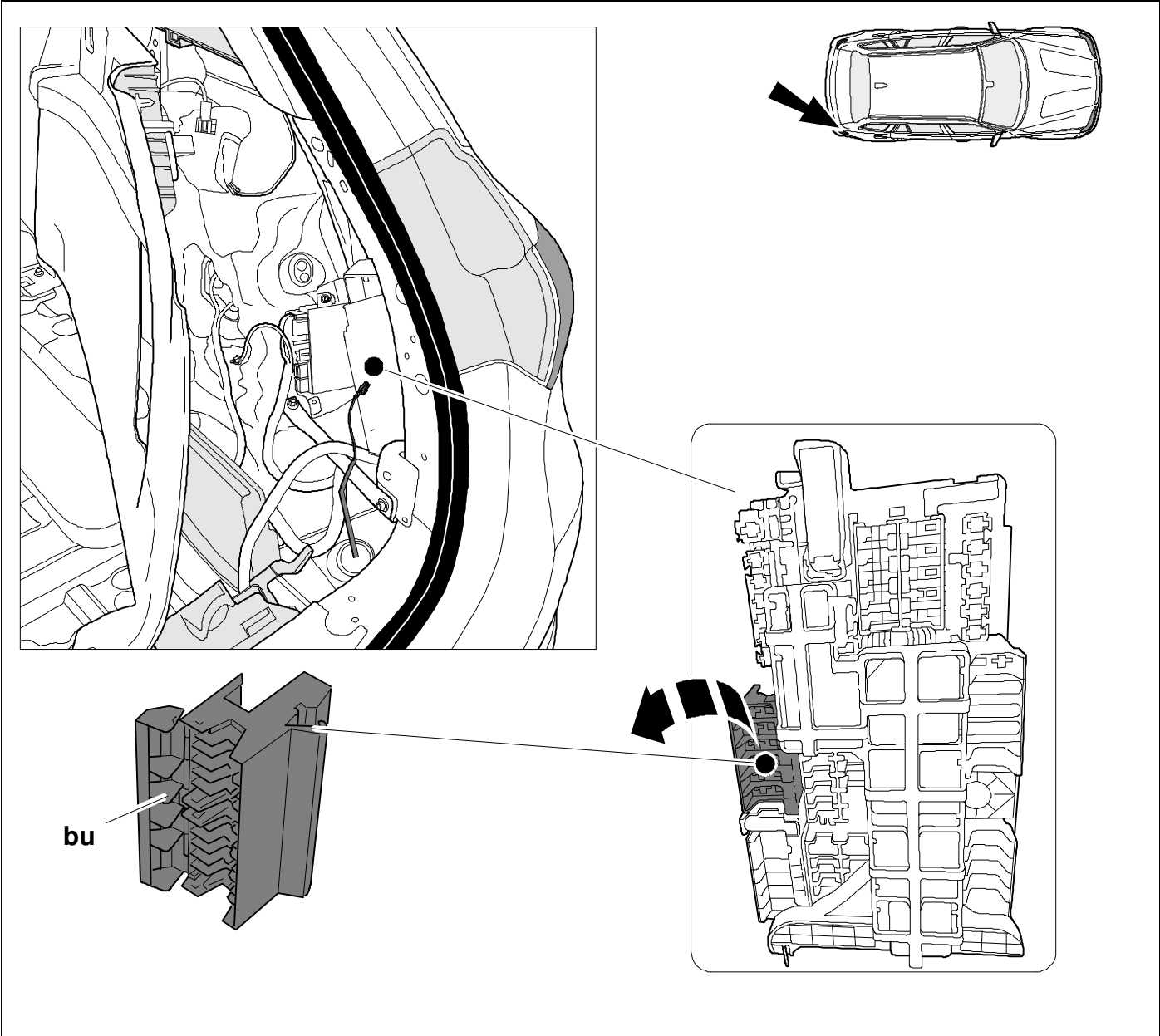
GLC X253

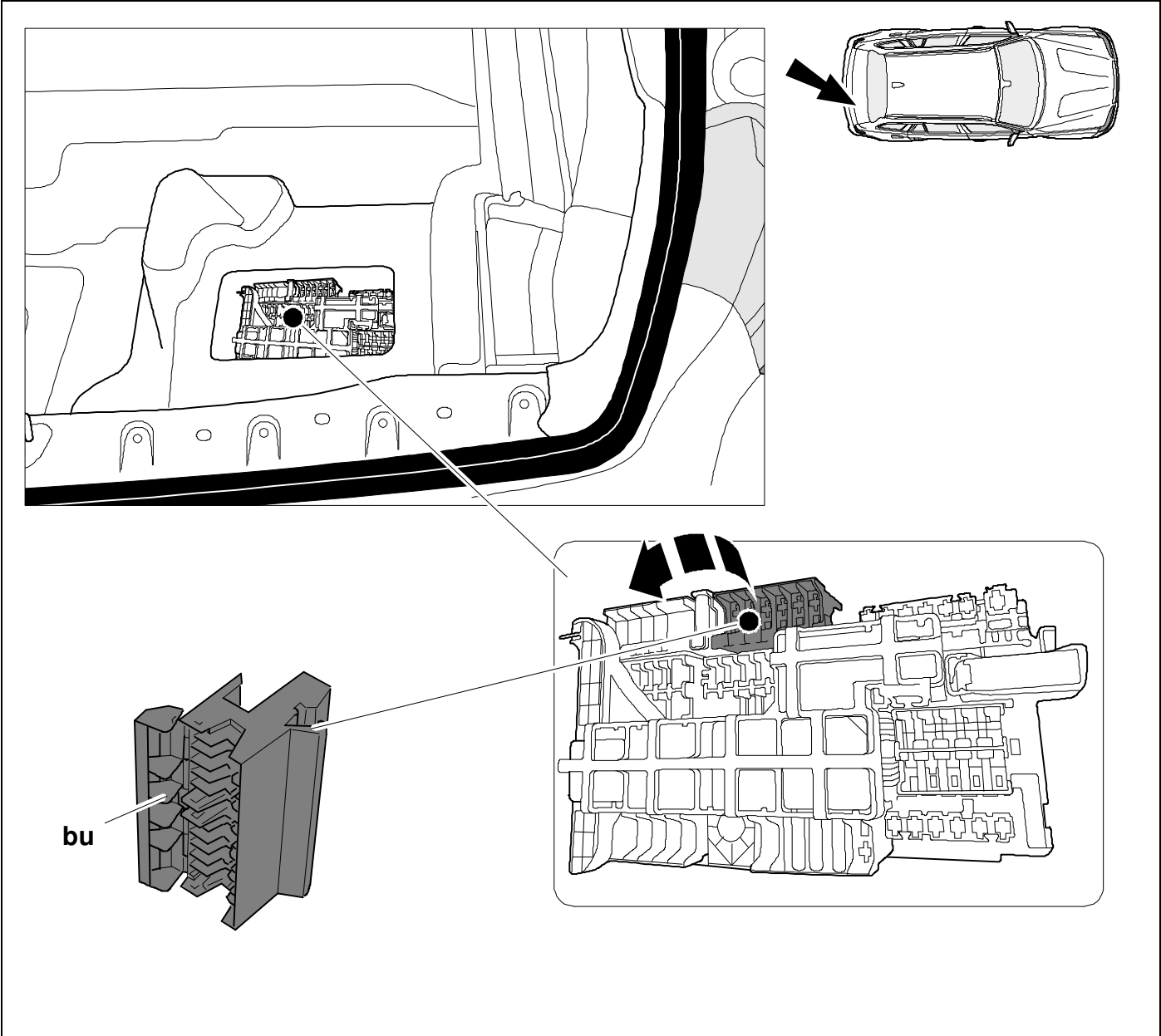








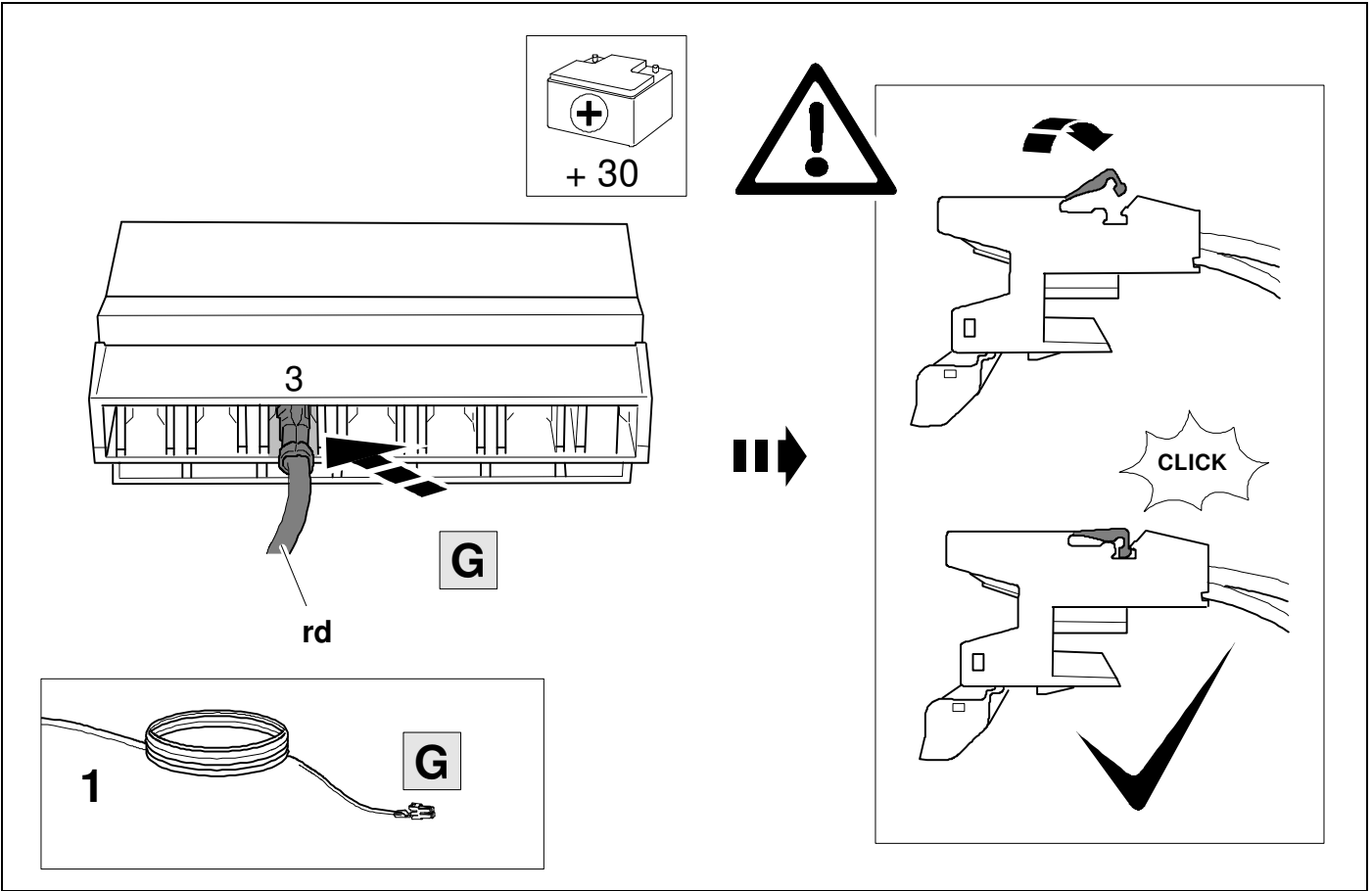




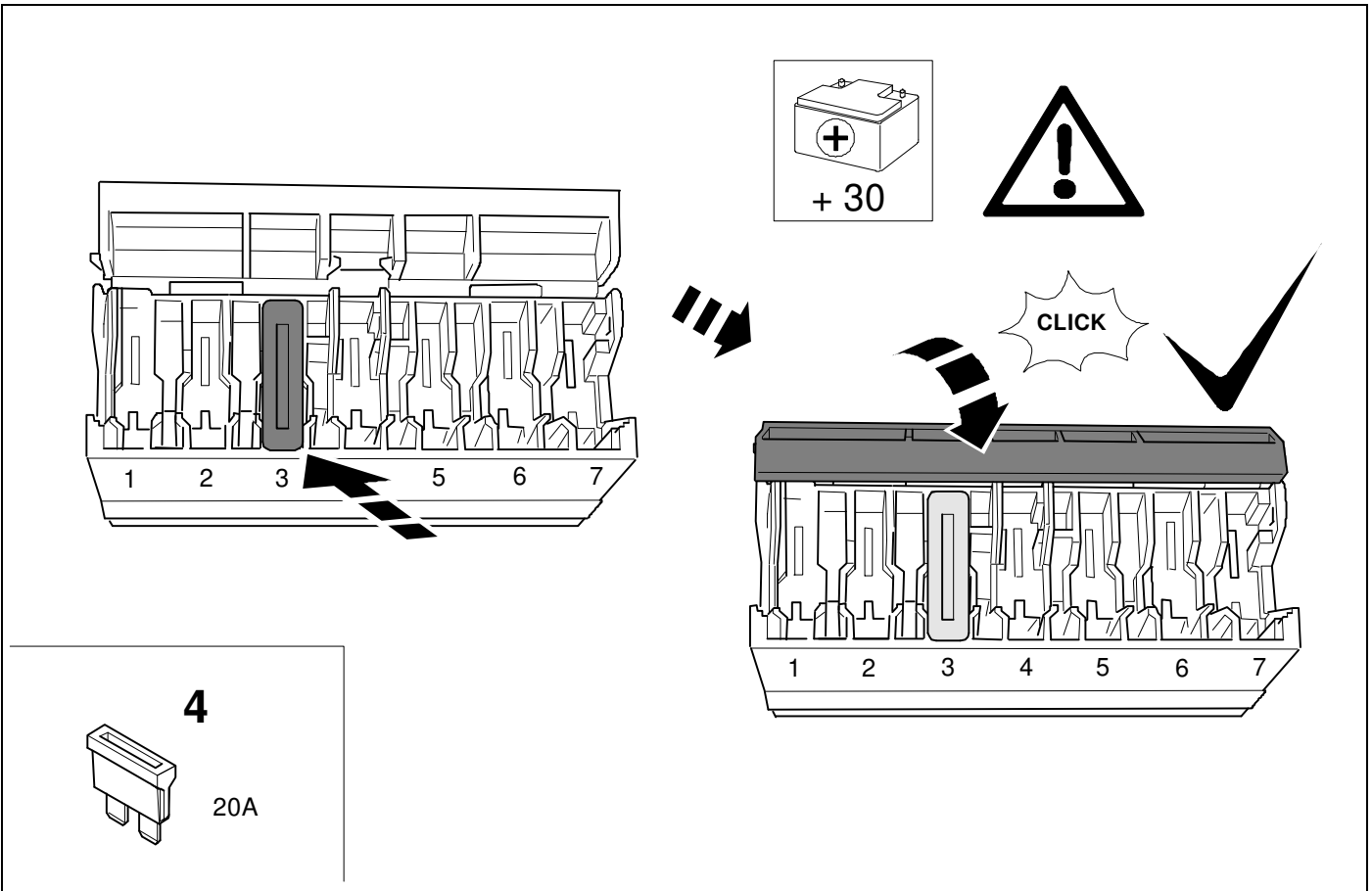
17



9

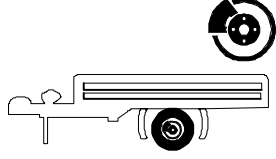


18

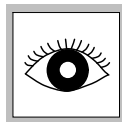
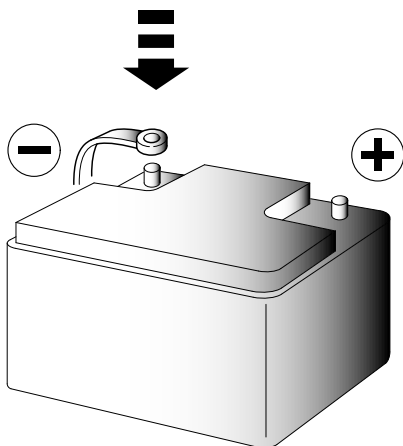
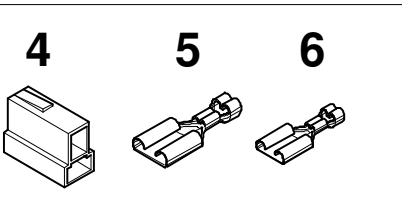
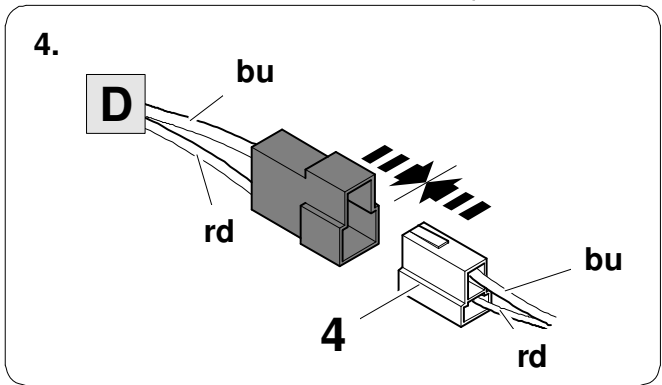
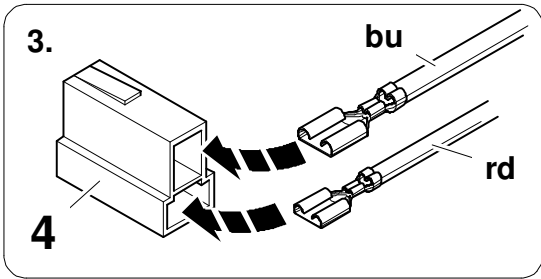
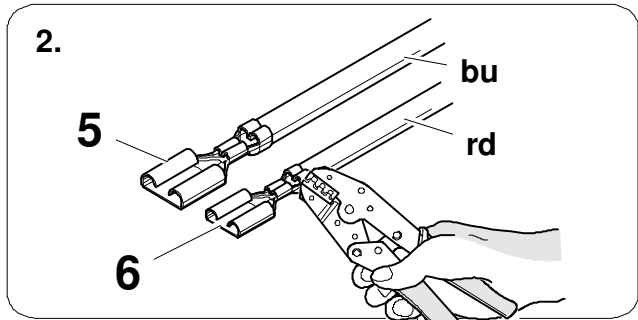
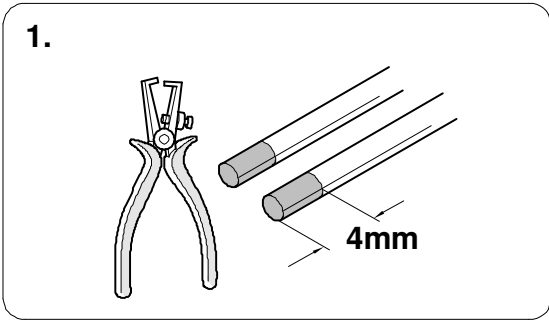
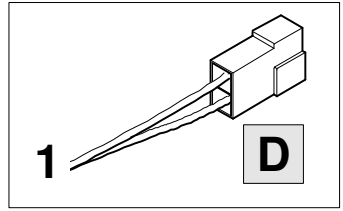




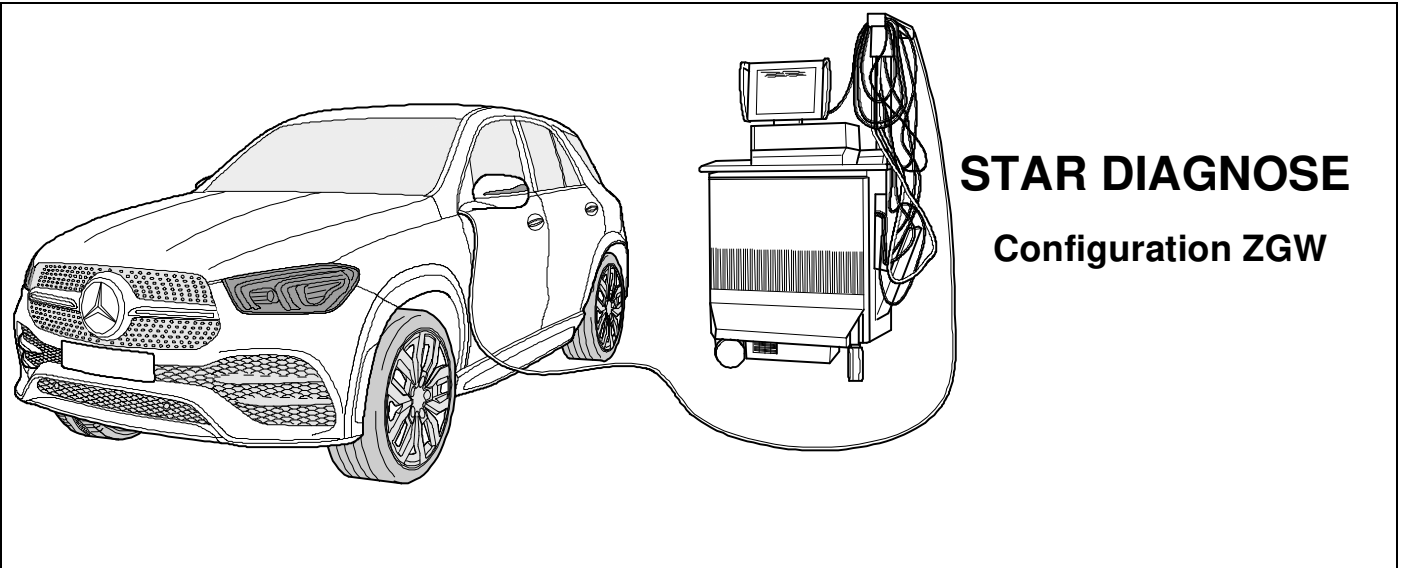
**BRAKE
CONTROLLER
PREPARED**



Trailer Brake Preparation

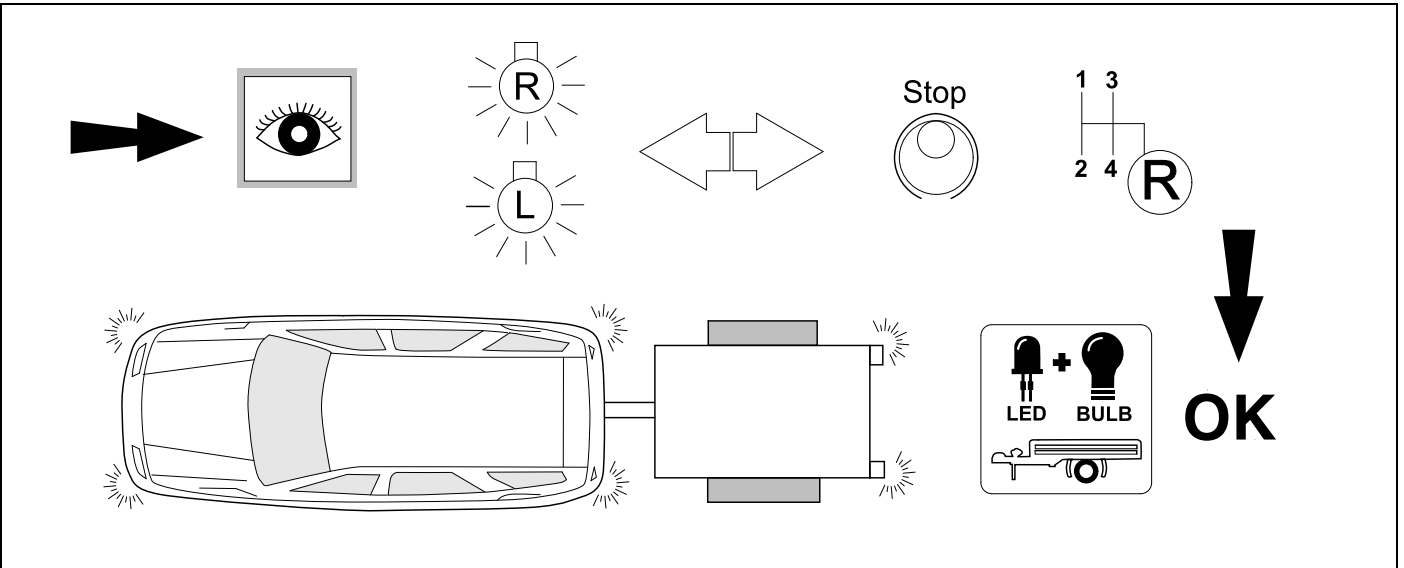


21

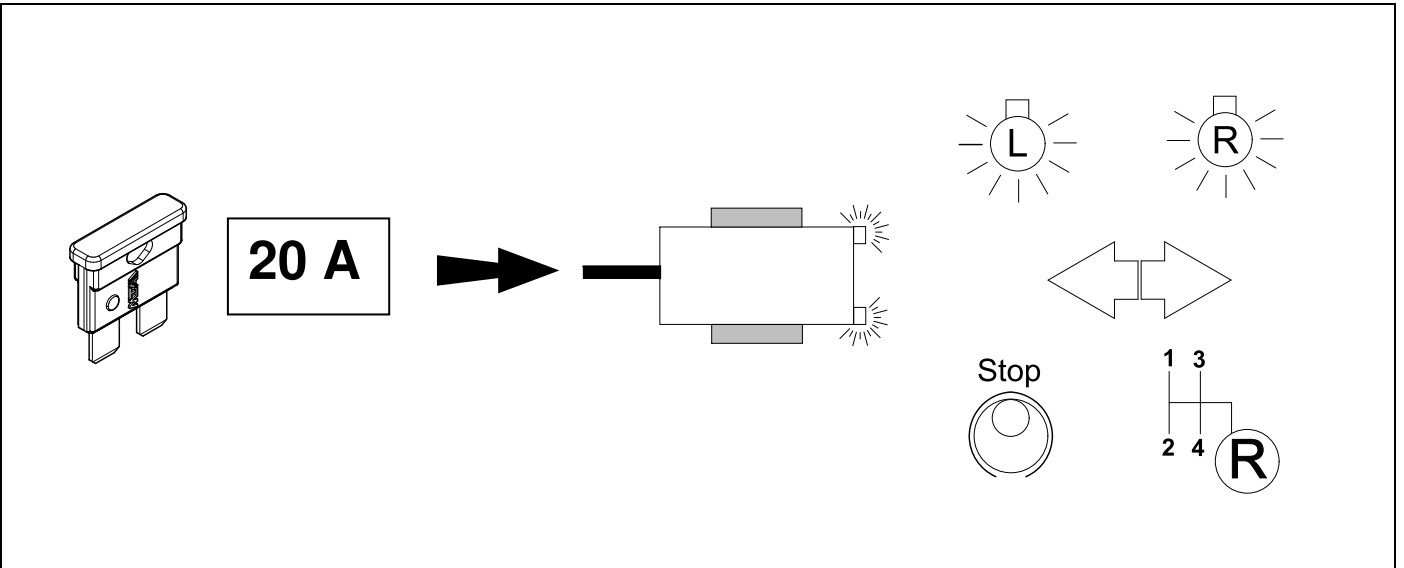


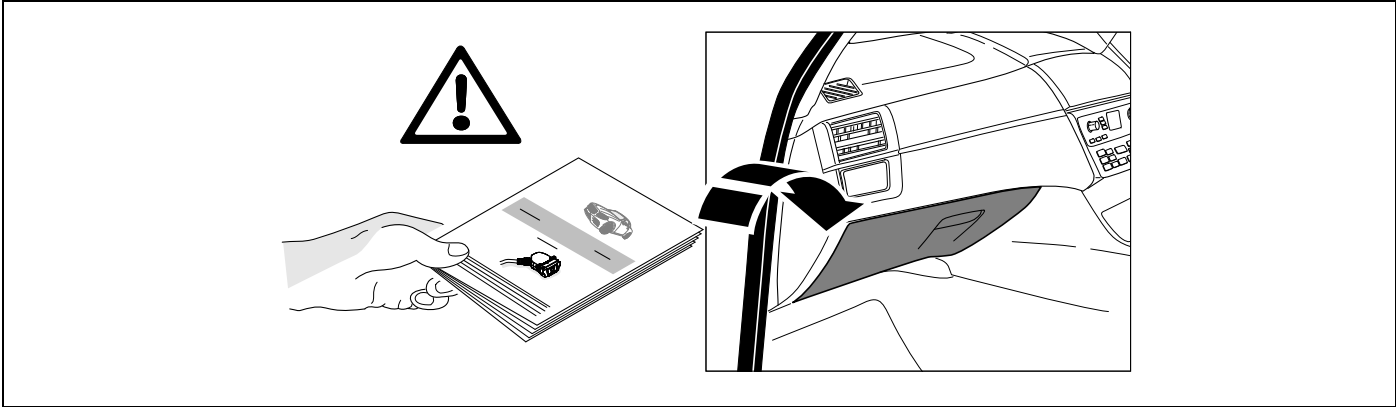
22

CHECK ALL LIGHTING FUNCTIONS



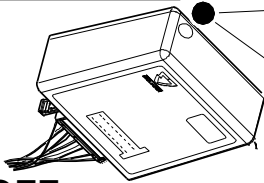
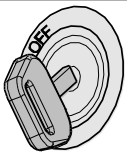
23





Subject to change in terms of construction, equipment and colour, and may contain errors.
The information and illustrations are non-binding.

Operation Support



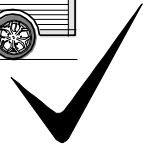
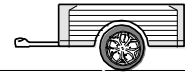
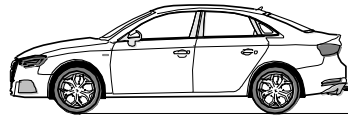
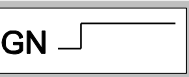
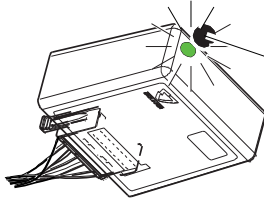
No CAN-Data =



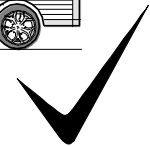
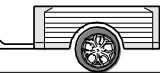
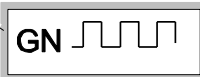
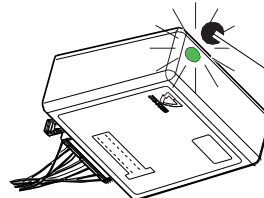
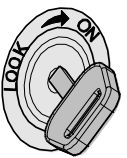
Standby / Sleepmode



Ignition OFF



Ignition ON



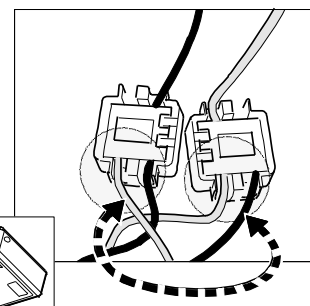
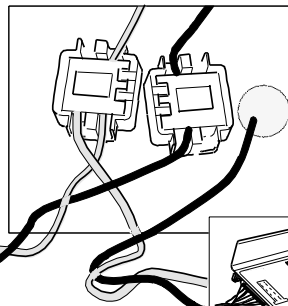
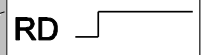
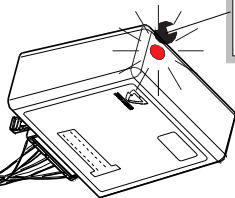
Ignition ON

Failure Support

CAN-Data Wire

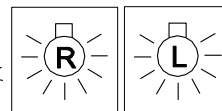


1x max. 5 min.

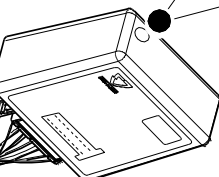


Ignition ON

Failure indicated by the module LED glowing red for a maximum of 5 minutes. If trailer connected the tail lights will also glow indicating failure of CAN signal.



Ignition ON



or

