



Tow bar Fitting Instructions
To Suit Ford Territory TX 4-04-on
Part Number FD121L
Rating 1600Kg

WARNING:

1. Do not, drill, cut, weld or otherwise modify the tow bar.
2. If you are using electric welding on a motor vehicle, **always** check that the vehicle is not equipped with electronic engine or instrument management equipment. Failure to do so could **destroy** any onboard computers. If in doubt, check with the vehicle's manufacturer.

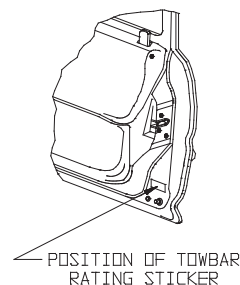
- 1 Ensure all hardware items have been included
- 2 Remove rear tail lights.
- 3 Remove tail lights via removal of the following items
 - a) 6-torx head screws 3 each tail light or Phillips head screws.
 - b) Unplug tail light connection for each light.
 - c) 2-10mm nuts behind lights
- 4 Remove bumper bar
- 5 Remove bumper bar via removal of the following items.
 - a) 2-plastic trim plugs & 2 screws on underside of each wheel arch.
 - b) If mudguards are fitted screws replace trim buttons.
 - c) 7-plastic trim buttons on underside of bumper bar.
 - d) If reverse sensors are fitted disconnect.
 - e) Flex out bumper bar from sides & pull rear ward.
- 6 Lift bar into position, so holes in side plates of tow bar align with holes in sub frame and support with jack stands or jack and drive through taptite bolts in six places using suitable rattle gun.
- 7 Fit bolts, washers & loose plates as see fit according to diagram.
- 8 Tighten all bolts to torque listing below.
- 9 Cut bumper as per diagram see fig 2, 3, 4.
- 10 Refit bumper in reverse steps 5 through to 3
- 11 **PLEASE NOTE:** It is advised to remove your lug or tbn when not actually towing so as to produce a clear view of the vehicles registration plate if obscured, and to also provide maximum available departure angle

Trailboss recommends that you check your tow ball to ensure that it complies with the Australian standards AS 4177.2

RECOMMENDED ASSEMBLY TORQUE LISTING

Diameter	Grade 8.8 Bolt	Nm
M6		9.5
M8		21.7
M10		43.4
M12		77.3
M14		121.0
M16		189.8

FOR TOWING PURPOSES ONLY
For towing capacity details please refer to vehicle owner's manual or to the manufacturer. Overloading can void your warranties.



Tow bar Maintenance and Care.

Trailboss recommends that bolt torque's, as listed below, are routinely and regularly inspected and checked for correct tension. Replace any worn or defective parts.
We recommended to remove Tow Ball Mounts (TBM's, tongues or lugs) when not being used for any considerable length of time.
So as to avoid injury, when not towing it is suggested that the tongue, Pull Pin and R-clip are removed then stored in a safe, clean and dry place, away from excessive moisture.
Hitch Pull Pins and spring "R" clips are regularly checked for proper installation. Replace any worn or defective parts.

Tow bar Fitting Instructions
 To Suit Ford Territory TX 4-04-on
 Part Number FD121L
 Rating 1600Kg

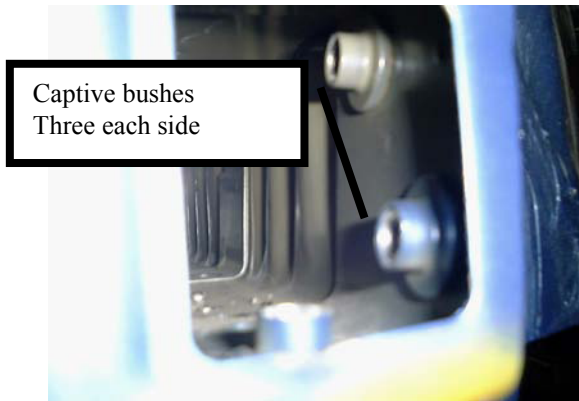


FIG 1 CAPTIVE BUSHES

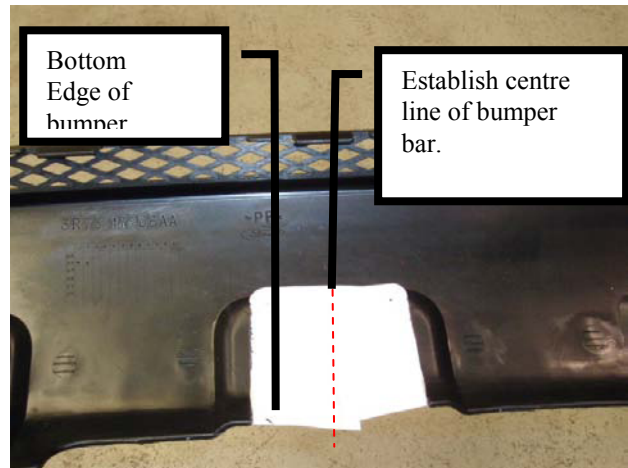


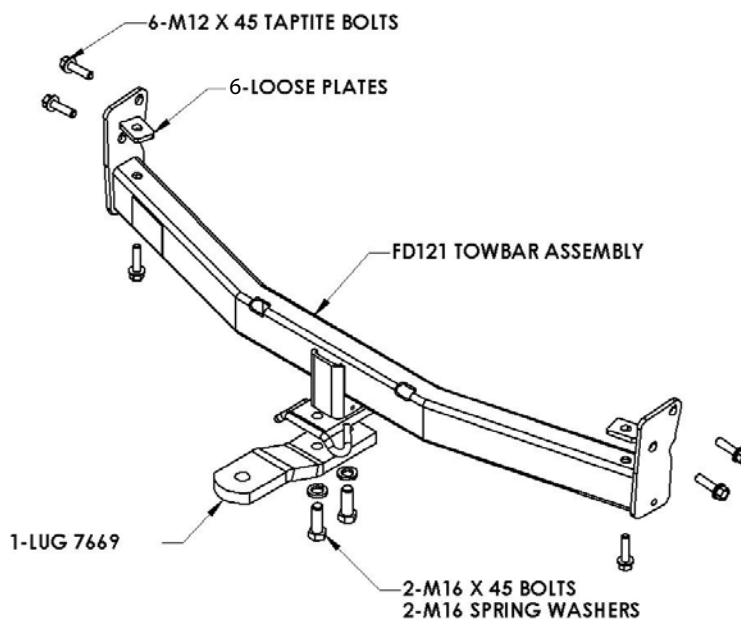
FIG 2 BUMPER CUT

FIG 2 BUMPER CUT

FITTING TAPTITE BOLTS

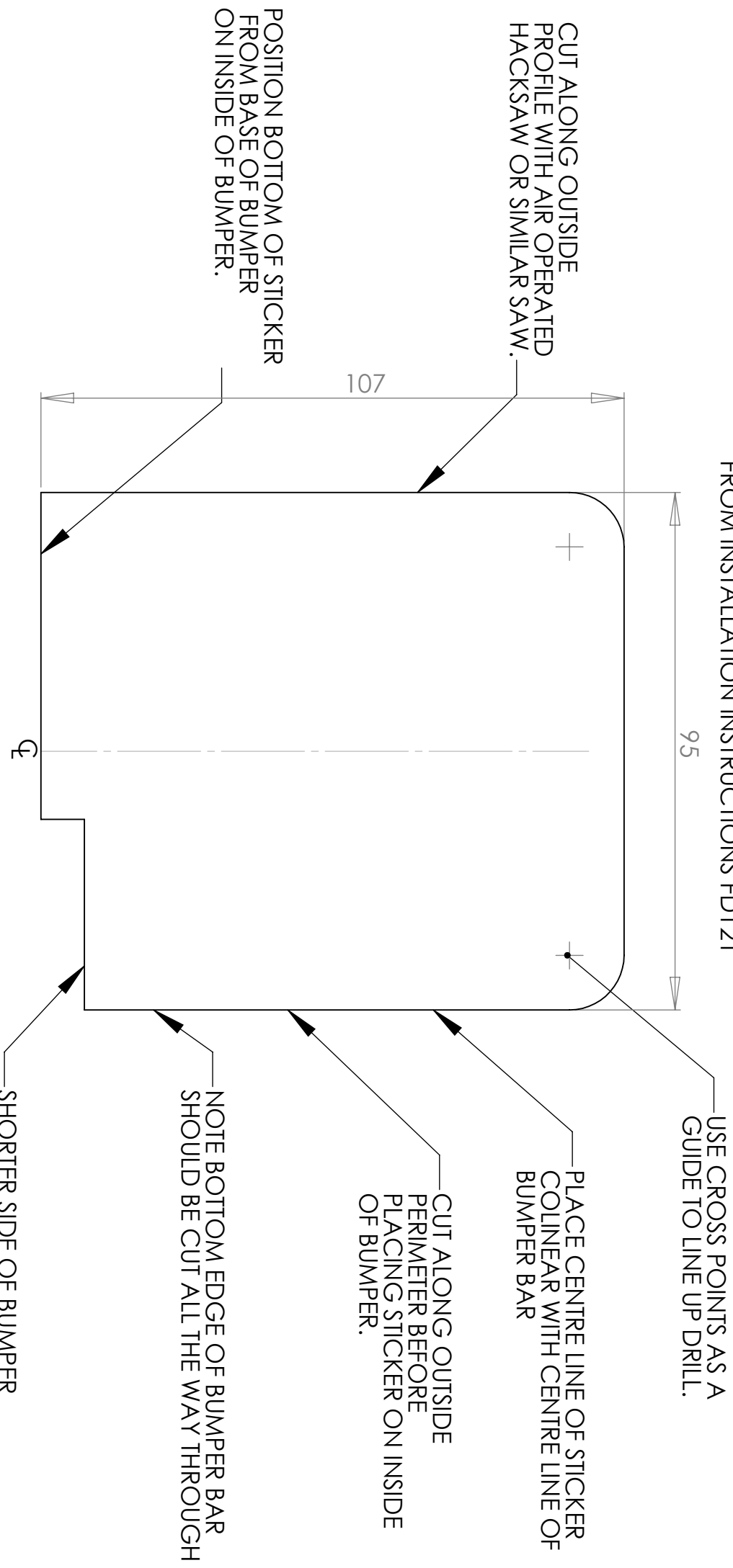
- Lift bar into position so holes in sub frame line up with holes in side arms.
- Support tow bar with suitable jack or jack stands as per step 6.
- Drive taptite bolts supplied into captive bushes in three places, two located at each end of sub frame and one underneath each side with suitable rattle gun.

- Place bumper cut sticker part number A02023-4 On inside of bumper bar as shown in fig 2
- Ensure that sticker is aligned with bottom edge of bumper bar as is centre line on sticker with vertical centre line of bumper bar then follow directions as per sticker.
- Ensure that pinch weld is fitted correctly to the bumper bar.



NOTE ALL MEASUREMENTS ARE TAKEN ON THE INSIDE OF BUMPER BAR.

ESTABLISH CENTRE LINE OF BUMPER AS SHOWN FROM INSTALLATION INSTRUCTIONS FD121



CUT ALONG OUTSIDE PROFILE WITH AIR OPERATED HACKSAW OR SIMILAR SAW.

POSITION BOTTOM OF STICKER FROM BASE OF BUMPER ON INSIDE OF BUMPER.

DRILL THROUGH PILOT HOLE THEN 20mm IN EACH CORNER TO ACHIEVE 10mm RADIUS OUTSIDE OF DRILL BIT SHOULD BE CONCENTRIC WITH CORNER PROFILE.



Wiring Loom Fitting Instructions
To Suit Ford
BA/BF Falcon Sedan
Wagon AU123 BA (Sept onwards)
Falcon AU Sedan (Sept 1998 to Aug 2002)
BA/BF/XR6/Xr8 Sedan
AU Falcon Sedan (Sept 1998 to Sept 2002)
Territory
Part Number 100001-WL

Wiring Loom Installation Instructions

Ford
Part No: 100001-WL

Tail Harness Length Required: 1200mm
RPA Override Switch Part No: 04848 (If Fitted)

Wiring Loom Installation Time: Approx 10 - 40 Mins depending on
vehicle model.



Wiring Loom Fitting Instructions
To Suit Ford
BA/BF Falcon Sedan
Wagon AU123 BA (Sept onwards)
Falcon AU Sedan (Sept 1998 to Aug 2002)
BA/BF/XR6/Xr8 Sedan
AU Falcon Sedan (Sept 1998 to Sept 2002)
Territory
Part Number 100001-WL

Sedan Steps:

1. In the luggage compartment, remove the necessary trims to gain access to the RHS tail lights.
2. Connect the Trailer Patch Harness (P/No: 100001-WL) connector to the vehicle break out connector.

BA/BF Sedan models only:

3. At the RHS rear quarter of the vehicle, remove the vehicle grommet.
4. From outside of the vehicle, route in the Tail Harness (length 1200mm) through the grommet hole and connect it to the Trailer Patch Harness connector. **Note: If vehicle is fitted with an RPA kit, drill a Ø30mm access hole near the existing grommet for Tail Harness routing.**
5. Route the Tail Harness socket towards the towbar mounting bracket.
6. Secure the Tail Harness socket onto the towbar mounting bracket using M4 fasteners.

AU Sedan models only:

7. Locate the RHS grommet near the spare wheel well.
8. Mount the Trailer Socket to the towbar using M4 Fasteners then route the Tail Harness (length 1200mm) over to the grommet hole then feed it into the vehicle.
9. From underneath the vehicle, route the Tail Harness (tail length 1800mm) into the vehicle. Slide the grommet to the desired position and then cable tie inside the vehicle. Press the grommet in place, ensuring a good seal is obtained. Then secure the grommet in place with a cable tie (not supplied).
10. In the luggage compartment, connect the Tail Harness to the Trailer Harness Patch.

Test the Tail Harness socket using a light board or multimeter.

11. Secure all harnesses using cables ties.
12. Refit all removed parts and secure all fasteners ensuring there are no squeaks or rattles.
13. Place instructions in glove box after fitment.

Wagon models only:

14. On the RHS trim remove the Jack Access panel and locate the 8-way trailer breakout connector.



Wiring Loom Fitting Instructions
To Suit Ford
BA/BF Falcon Sedan
Wagon AU123 BA (Sept onwards)
Falcon AU Sedan (Sept 1998 to Aug 2002)
BA/BF/XR6/Xr8 Sedan
AU Falcon Sedan (Sept 1998 to Sept 2002)
Territory
Part Number 100001-WL

15. Plug the Trailer Harness Patch (P/N 100001-WL) to the 8-way trailer breakout connector.
 16. In the jack access cavity area, remove the grommet blanking plug from the RHS rear quarter.
 17. Outside, at the rear of the vehicle, mount the Trailer Socket to the towbar using M4 fasteners.
 18. From underneath the vehicle, route the Tail Harness (length 1200mm) over to the grommet hole then feed it through the grommet hole and into the vehicle. **Note: The grommet must be moved along the harness to the desired location.**
 19. Press the grommet in place, ensuring a good seal is obtained. Then secure the grommet in place with a cable tie (not supplied).
 20. Inside the vehicle, connect the Tail Harness connector to the trailer patch. Cable Tie back any excess length.
 21. Test the Trailer socket using a light board or multi-meter.
 22. Secure the all harnesses using cables ties.
 23. Refit all removed parts and secure all fasteners.
 24. Place instructions in glove box after fitment.
- Territory models only:**
25. Remove the necessary trims to gain access to the RHS vehicle 8-way break out connector then connect the Trailer Patch harness (P/No: 100001-WL) to the break-out connector.
 26. On the RHS rear, below the tail light, remove the grommet and feed the Tail Harness (Length 1200mm) through the hole until it comes through the inner cavity.
 27. Connect the Trailer Patch Harness to the Tail Harness.
 28. On the outside rear of the vehicle, secure the trailer socket onto towbar mounting plate using M4 fasteners.
 29. Test the Trailer socket using a light board or multi-meter.
 30. Secure the all harnesses using cables ties.
 31. Refit all removed parts and secure all fasteners.
 32. Place instructions in glove box after fitment.