

TRAILBOSS

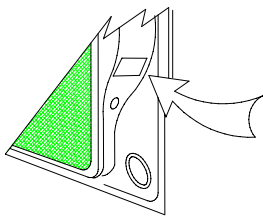
Towbar Fitting Instructions
To Suit **FORD FIESTA 5 DOOR HATCH 2009** on
Part Number **FD129L**
Rating **900 kg**

WARNING:

1. Do not, drill, cut, weld or otherwise modify the tow bar.
2. If you are using electric welding on a motor vehicle, **always** check that the vehicle is not equipped with electronic engine or instrument management equipment. Failure to do so could **destroy** any onboard computers. If in doubt, check with the vehicle's manufacturer.

General:

1. Ensure all hardware items have been included refer to assembly diagram.
2. It is recommended that the instructions are read through and completely understood before making any attempt to fit this product.
3. Be wary of any changes to vehicle designs or other accessories that may conflict with the installation of this product.
4. Before drilling ensure that the area is clear of fuel, electrical & other components.
5. All holes drilled into the body panels shall have all burrs & swarf removed then coated with a suitable rust preventative paint.
6. For vehicles that require the bumper to be cut. Ensure cut out area is in correct position on the vehicle prior to cutting the bumper.
7. The high tensile fasteners supplied with this product were used to achieve the specified rating. If replacement is required ensure that fasteners of the same rating & quality are used. Contact an authorized **Trailboss** dealer if further information is required.
8. Ensure that all hardware is fastened to torque list below check fasteners on regular basis.
9. Tow bar load rating sticker provided with this product shall be conspicuously located on inside rear end of the driver's door. **(See diagram below).**
10. Trailboss recommends that you check your tow ball to ensure that it complies with the Australian standards **AS 4177.2.**
11. **PLEASE NOTE:** It is advised to remove your lug or tbn when not actually towing so as to produce a clear view of the vehicles registration plate if obscured, and to also provide maximum available departure angle



Place load rating sticker
inside driver's door here

FOR TOWING PURPOSES ONLY

For towing capacity details please refer to vehicle owner's manual or to the manufacturer. Overloading can void your warranties.

RECOMMENDED ASSEMBLY TORQUE LISTING
Diameter Grade 8.8 Bolt

M6	9.5 Nm
M8	21.7 Nm
M10	43.4 Nm
M12	77.3Nm
M14	146 Nm
M16	189.8 Nm

Tow bar Maintenance and Care.

Trailboss recommends that bolt torque's, as listed below, are routinely and regularly inspected and checked for correct tension. Replace any worn or defective parts.

We recommended to remove Tow Ball Mounts (TBM's, tongues or lugs) when not being used for any considerable length of time.

So as to avoid injury, when not towing it is suggested that the tongue, Pull Pin and R-clip are removed then stored in a safe, clean and dry place, away from excessive moisture.

Hitch Pull Pins and spring "R" clips are regularly checked for proper installation. Replace any worn or defective parts.

Towbar Fitting Instructions
 To Suit **FORD FIESTA 5 DOOR HATCH 2009** on
 Part Number **FD129L**
 Rating **900 kg**

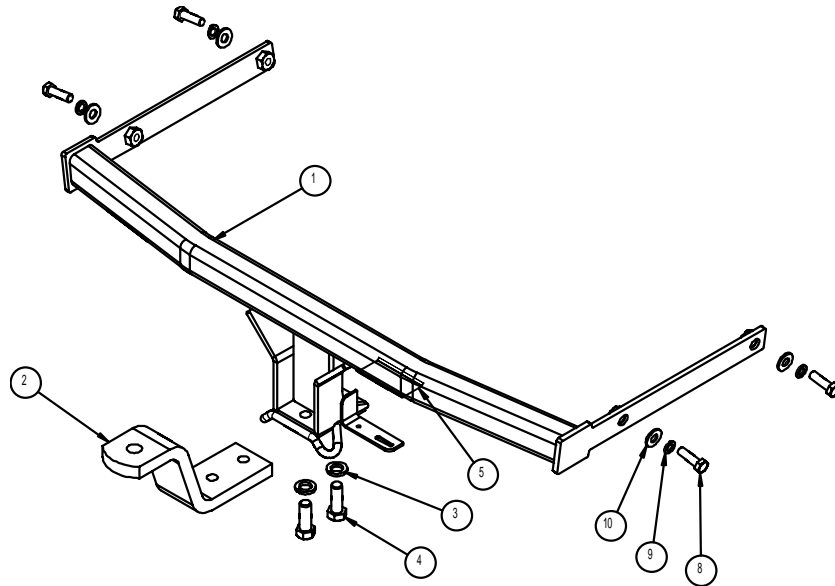


Figure 1 – Layout Diagram

ITEM NO.	DESCRIPTION	QTY.
1	WELDED ASSEMBLY FORD FIESTA	1
2	LUG 7677	1
3	M16 X 5 X 3.5 SPRING WASHER	2
4	M16 x 45 2.0P BOLT	2
5	CP - HR	1
6	BOLT PACK	1
7	PLASTIC SHEET BAG	1
8	BOLT M12-1.75x40 GR8.8	4
9	M12 X 4.0 X 2.5 SPRING WASHER	4
10	WASHER M12x28.8x3mm	4
11	BRAND BAG	1
12	PLASTIC SHEET BAG	1
13	FITTING INSTRUCTIONS	1
14	LOAD RATING LABEL	1


Towbar Fitting Instructions
To Suit **FORD FIESTA 5 DOOR HATCH 2009** on
Part Number **FD129L**
Rating **900 kg**

STEPS TO FIT TOWBAR

1. Remove the Rear Bumper from the vehicle via the following steps:

(a) Remove scrivenets x 2 and 8 mm screw x 1 from the wheel arch.

Note: Repeat the step for passenger side.

 Position the vehicle on to a safe working height on the hoist before commencing fitment.

(b) Remove torx screws x 2 from top of the bumper.

Note: Repeat the step for passenger side.

(c) Remove scrivenets x 2 from the bottom of the bumper.

(d) Flex the bumper out from the sides and pull rearward.

Note: Unhook the tail light bulb wire from the bumper, while removing the bumper. Also remove the bulb from the wire arrangement and keep it at a safe place.

2. Remove the bumper rear panel foam.

3. Locate the towbar into the chassis rail and loosely fasten with M12 bolts x 4, spring washers x 4 and flat washers x 4.

4. Tighten and torque all bolts up to the torque requirement as mentioned on page 1.

5. Cut the bumper as illustrated in Figure 2.

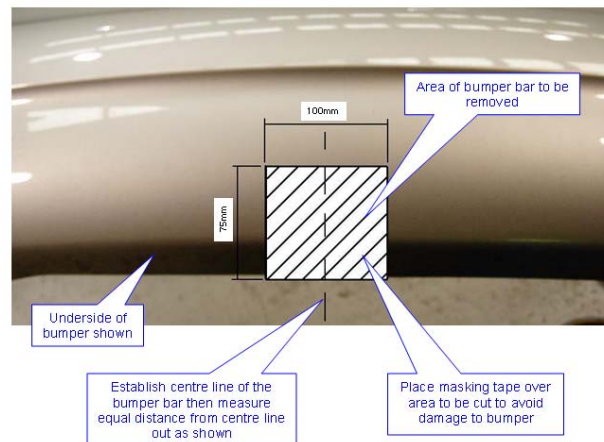


Figure 2 – Bumper Cut out Diagram.

6. Refit the bumper in the reverse order.



Wiring Loom Fitting Instructions
To Suit Ford Fiesta
Part Number 100183-WL

Wiring Loom Installation Instructions

Ford Fiesta
Part No: 100183-WL

Tail Harness Length Required: 1800mm
RPA Override Switch Part No: 04848 (If Fitted)

Wiring Loom Installation Time: Approx 30 Mins



Wiring Loom Fitting Instructions
To Suit Ford Fiesta
Part Number 100183-WL

1. Remove all the required trims to gain access to the LHS and RHS tail light connectors and the boot reverse light connector (underneath the boot lid trim).
2. Inside the luggage compartment, at the RHS rear quarter, drill a Ø31mm hole into the blanking grommet.
3. On the outside of the vehicle, secure the Tail Harness (Tail length 1800mm) trailer socket to the towbar mounting bracket using M4 fasteners (not supplied).
4. Route the Tail harness along the towbar and then under the vehicle towards the RHS rear quarter grommet hole and feed the Tail Harness 8-way male connector through the drilled grommet.
5. Disconnect the RHS tail light 6-way connectors and patch the Trailer Patch Harness (P/No: 100183-WL) connectors in between.
6. Connect the Tail Harness 8-way male connector to the Trailer Patch Harness 8-way female connector.
7. Route the Trailer Patch Harness across to the LHS tail light assembly area.
8. Disconnect the LHS tail light connectors and patch the Trailer Patch Harness (P/No: 100183-WL) connectors in between.
9. Secure the Trailer Patch Harness ground ring terminal (location next the LHS tail light cavity) to the vehicle grounding point.
10. Connect the Tail Harness 8-way male connector to the Trailer Patch Harness female connector.
11. On the outside, secure the harness to the towbar using cable ties (not supplied).
12. Test the Trailer socket using a light board or multi-meter.
13. Secure the all harnesses using cables ties (not supplied).
14. Refit all removed parts and secure all fasteners.
15. Place instructions in glove box after fitment.