



Towbar Fitting Instructions  
TO SUIT HOLDEN AH ASTRA WAGON 07-2004-ON  
Part Number HD82  
Rating 1250Kg

**WARNING:**

1. Do not, drill, cut, weld or otherwise modify the tow bar.
2. If you are using electric welding on a motor vehicle, **always** check that the vehicle is not equipped with electronic engine or instrument management equipment. Failure to do so could **destroy** any onboard computers. If in doubt, check with the vehicle's manufacturer.

- 1 Ensure all hardware items have been included
- 2 Remove tail light assemblies by three thumb nuts from inside luggage area.
- 3 Remove one self taper from each tail light cavity
- 4 Remove 2 self tapers from each wheel arch.
- 5 Remove plastic trim buttons from rear lower lip of bumper & remove bumper.
- 6 Remove and discard impact beam.
- 7 Fit tow bar so as side arms fit up the sub frame & align with impact beam studs.
- 8 Fit all hardware as per the diagram on the next page.
- 9 Tighten all fasteners to torque listing below.
- 10 Cut bumper as diagram on the next page see fig1.
- 11 Refit the bumper bar in the reverse of steps 5 to 2.

*RECOMMENDED ASSEMBLY TORQUE LISTING*

**Diameter**    **Grade 8.8 Bolt**

	<b>Nm</b>
M6	9.5
M8	21.7
M10	43.4
M12	77.3
M16	189.8

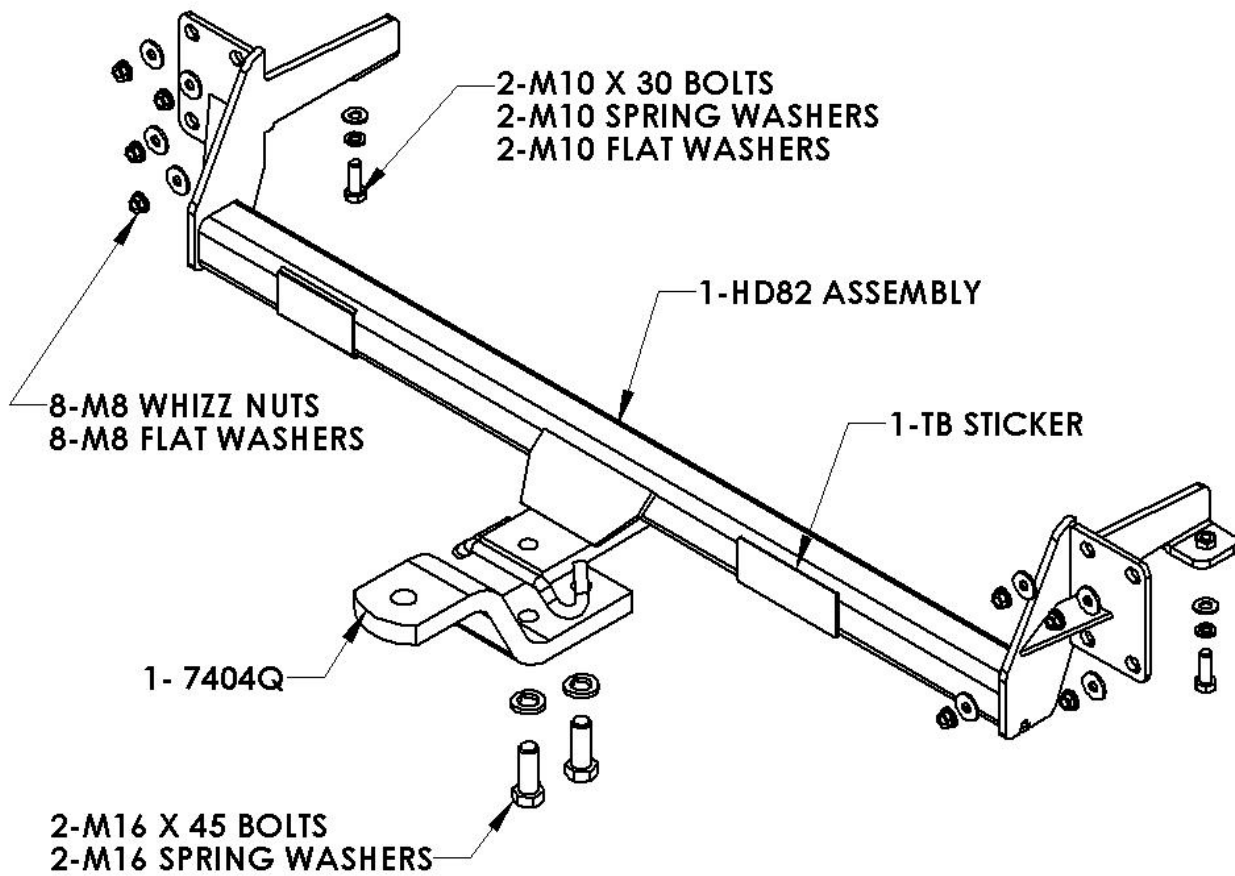
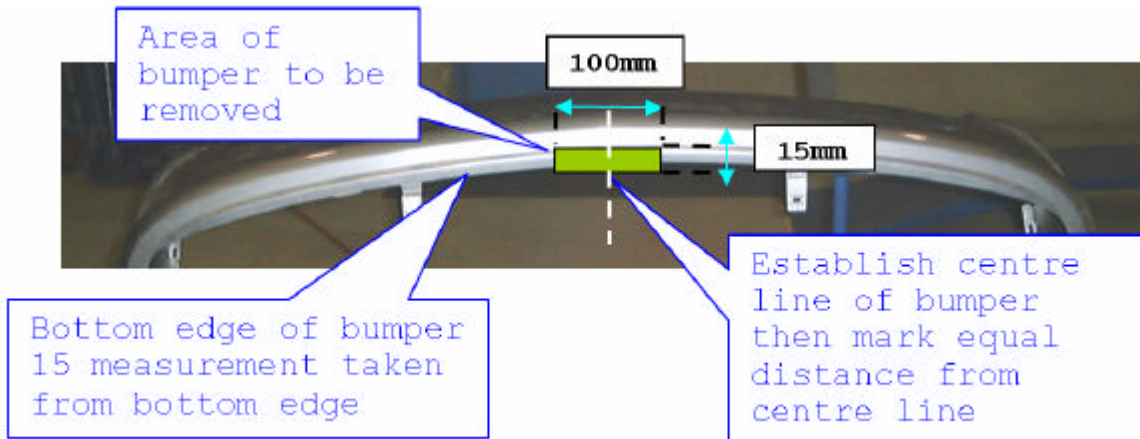
**FOR TOWING PURPOSES ONLY**

For towing capacity details please refer to vehicle owner's manual or to the manufacturer. Overloading can void your warranties.

# TRAILBOSS

Towbar Fitting Instructions  
TO SUIT HOLDEN AH ASTRA WAGON 07-2004-ON  
Part Number HD82  
Rating 1250Kg

FIG 1  
Bumper cut





Towbar Fitting Instructions  
TO SUIT HOLDEN AH ASTRA WAGON 07-2004-ON  
Part Number HD82  
Rating 1250Kg

