



Towbar Fitting Instructions
To Suit HONDA CIVIC 5 DOOR 9/93-ON
Part Number HN49

Rating 9/93 – 9/00 Max. Towing Weight: 700 kg
800 kg
10/00 on Max. Towing Weight: 1000 kg
1200 kg

9/93-9/95

1. Ensure all hardware items have been included.
2. Remove spare wheel.
3. Remove rear bumper skin, 5 fixing points on top of bumper, 2 from under vehicle and 1 at each wheel arch.
4. Bolt towbar to shipping hook with U bolt supplied making sure towbar is square to vehicle.
5. Using 4 forward most holes in angle cross beam and single hole in tail as guides drill Ø11 holes.
6. Fit bolt and loose plate into tail semi tight.
7. Loosen U bolt and fit 4- 40x3x40 loose plates in between towbar an impact beam, fit bolts on plates with wires.
8. Tighten all bolts to torque listing below.
9. Cut bumper skin as per diagram.
10. Refit bumper.
11. Refit spare wheel.

10/95 – 9/2000

1. Ensure all hardware items have been included.
2. Remove spare wheel.
3. Remove rear bumper skin, 5 fixing points on top of bumper, 2 under vehicle and 1 at each wheel arch.
4. Bolt towbar to shipping hook with U bolt supplied making sure towbar is square to vehicle.
5. Using 4 rearward most holes in angle cross beam and single hole in tail as guides drill Ø11 holes.
6. Fit bolt and loose plate into tail and bolts on plates with wires on inside of impact beam through holes just drilled.
7. Tighten all bolts to torque listing below.
8. Cut bumper skin as per diagram.
9. Refit bumper.
10. Refit spare wheel.



Towbar Fitting Instructions
To Suit HONDA CIVIC 5 DOOR 9/93-ON
Part Number HN49

Rating 9/93 – 9/00 Max. Towing Weight: 700 kg
800 kg
10/00 on Max. Towing Weight: 1000 kg
1200 kg

MODEL 10/2000 ON

1. Ensure all hardware items have been included.
2. Remove spare wheel.
3. Remove rear bumper skin.
4. Bolt towbar to shipping hook with U bolt supplied making sure towbar is square to vehicle.
5. Using 4 rearward most holes in angle cross beam and single hole in tail as guides drill Ø11 holes.
6. Fit bolt and loose plate into tail, semi tight.
7. Loosen U bolt and fit 4- 32x10x50 loose plates in between towbar and impact beam, fit bolt on plate with wires.
8. Tighten all bolts to torque listing below.
9. Cut bumper skin as per diagram.
10. Refit bumper.
11. Refit spare wheel.

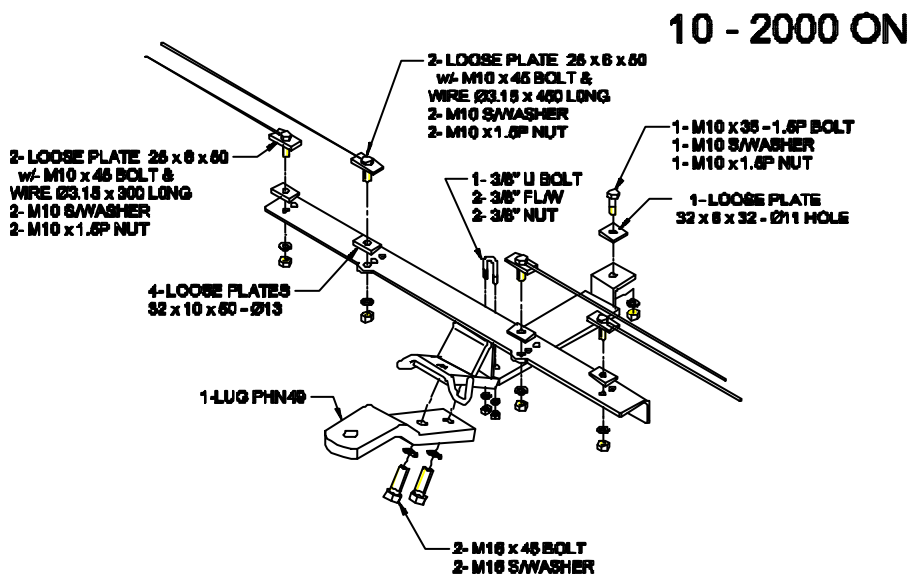
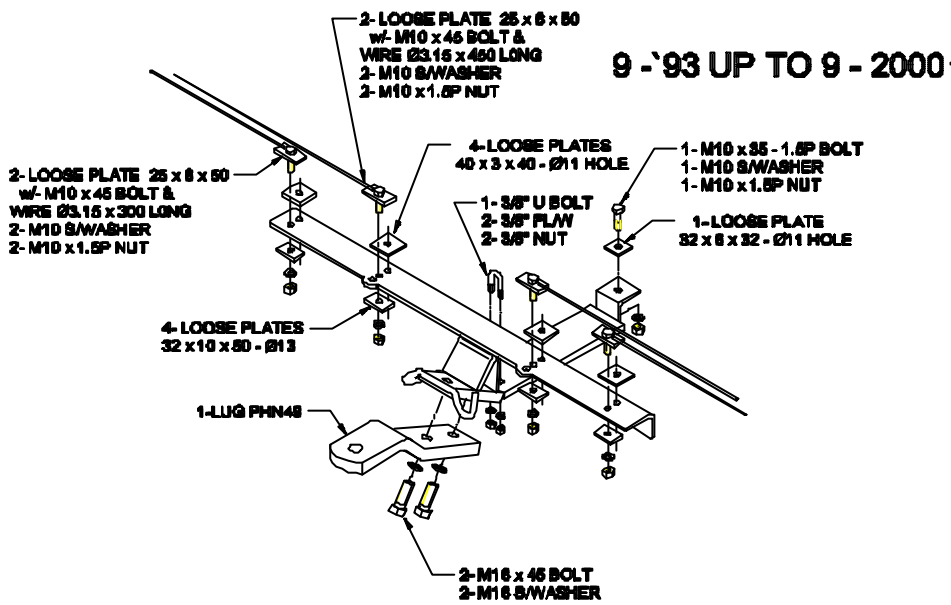
RECOMMENDED ASSEMBLY TORQUE LISTING

<u>Diameter</u>	<u>Grade 8.8 Bolt</u>
	<u>Nm</u>
M6	9.5
M8	21.7
M10	43.4
M12	77.3
M14	121.0
M16	189.8

TRAILBOSS

Towbar Fitting Instructions To Suit HONDA CIVIC 5 DOOR 9/93-ON Part Number HN49

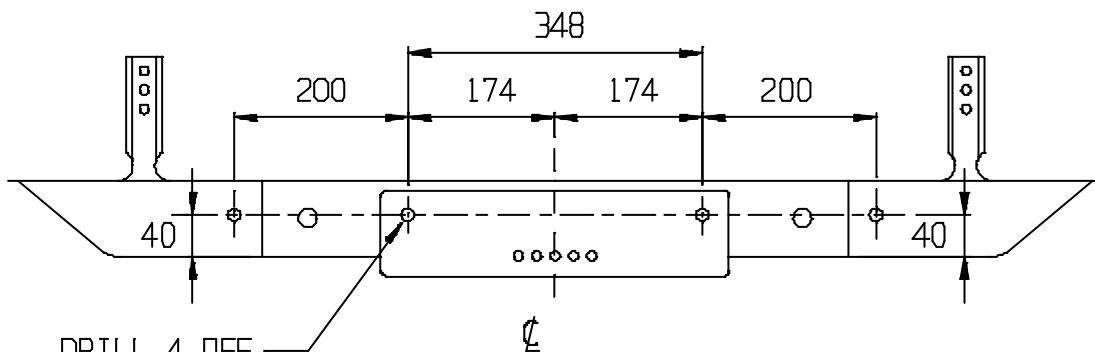
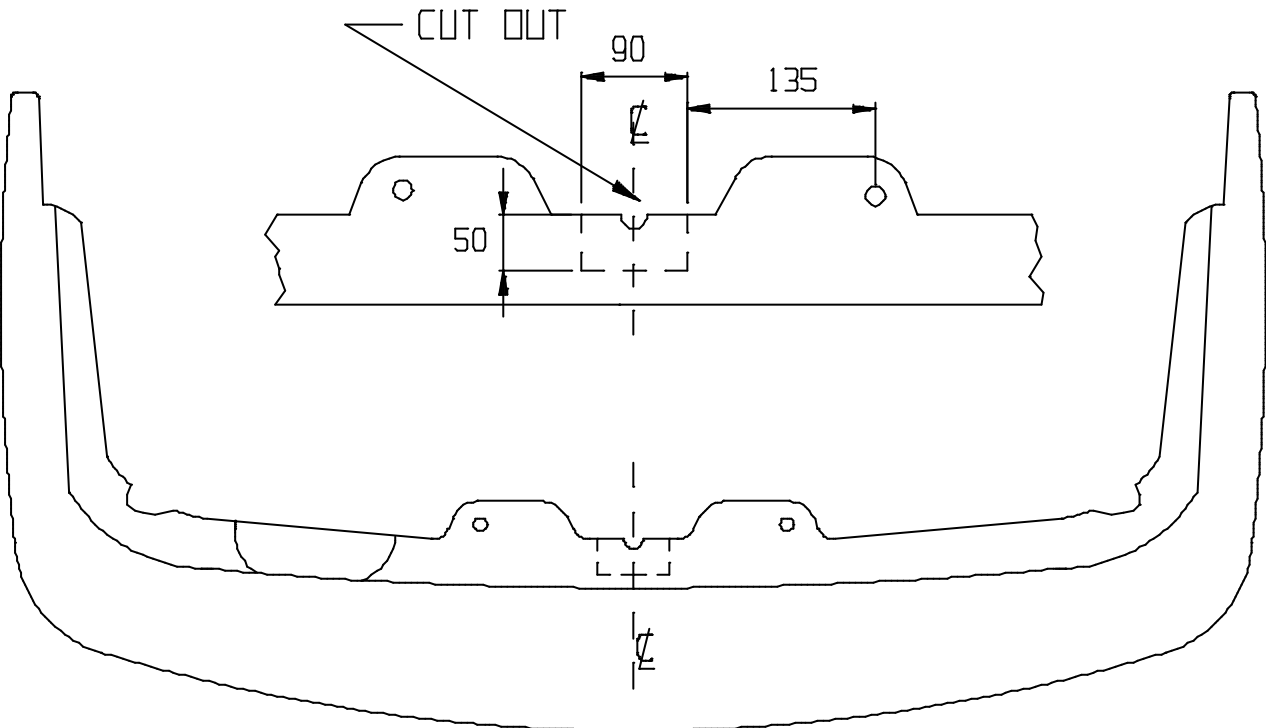
Rating 9/93 – 9/00 Max. Towing Weight: 700 kg
800 kg
10/00 on Max. Towing Weight: 1000 kg
1200 kg



Towbar Fitting Instructions
To Suit HONDA CIVIC 5 DOOR 9/93-ON
Part Number HN49

Rating 9/93 – 9/00 Max. Towing Weight: 700 kg
800 kg
10/00 on Max. Towing Weight: 1000 kg
1200 kg

REAR BUMPER BAR



DRILL 4 OFF
Ø11 HOLES