

# TRAILBOSS

## Towbar Fitting Instructions To Suit HONDA JAZZ MY06 03-2006-ON Part Number HN60 Rating 1000Kg

### **WARNING:**

1. Do not, drill, cut, weld or otherwise modify the towbar.
2. If you are using electric welding on a motor vehicle, **always** check that the vehicle is not equipped with electronic engine or instrument management equipment. Failure to do so could **destroy** any onboard computers. If in doubt, check with the vehicle's manufacturer.

**MAX TOWING CAPACITY:  
FOR MANUAL 1000Kg  
FOR AUTOMATIC 800KG**

1. Ensure all hardware items have been included as shown in Figure 1.
2. Remove the bumper via the following.
  - a. Remove the 3 screws located within the left and right hand side of the wheel arches.
  - b. Remove self tapping screws on top of the wheel arch, retaining the bumper to the body.
  - c. Remove the two bolts next to each tail light
  - d. Remove the two clips underside of the bumper.
3. Remove the rear muffler via the following
  - a. Remove two rubber mounts
  - b. Remove two bolts from the muffler exhaust flange.
4. Remove the heat shield via drilling out the pop rivet securing it using a 5mm drill bit
5. On the rear panel, enlarge the hole based on the diagram as shown in Figure 2, ensuring to remove any sharp edges or burrs.
6. Fit towbar via the following
  - a. Insert two of the wired and tapped loose plates into each rail.
  - b. Fasten the towbar to the rails, using the bolts, spring washers and flat washers, supplied.
  - c. Fasten the towbar to the shipping hook using the M12x45 bolt, spring washer, flat washer, loose plate and tapped loose plate supplied.
  - d. Tighten all bolts to the torque listing below.
  - e. Break off rods from the wired and tapped loose plates.
7. Cut bumper relief as per Figures 3 and 4
8. Reassemble in the reverse of Steps 4, 3 and 2.
9. Towbar rating sticker to be conspicuously located on inside the rear end of the driver's door, see diagram below.

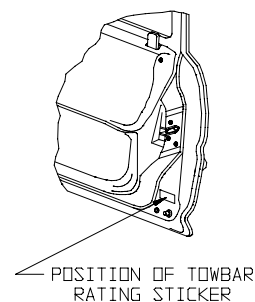
**NOTE: Hayman Reese recommends that you check your towball to ensure it complies with Australian Design Rules.**

### RECOMMENDED ASSEMBLY TORQUE LISTING

#### **Diameter Grade 8.8 Bolt**

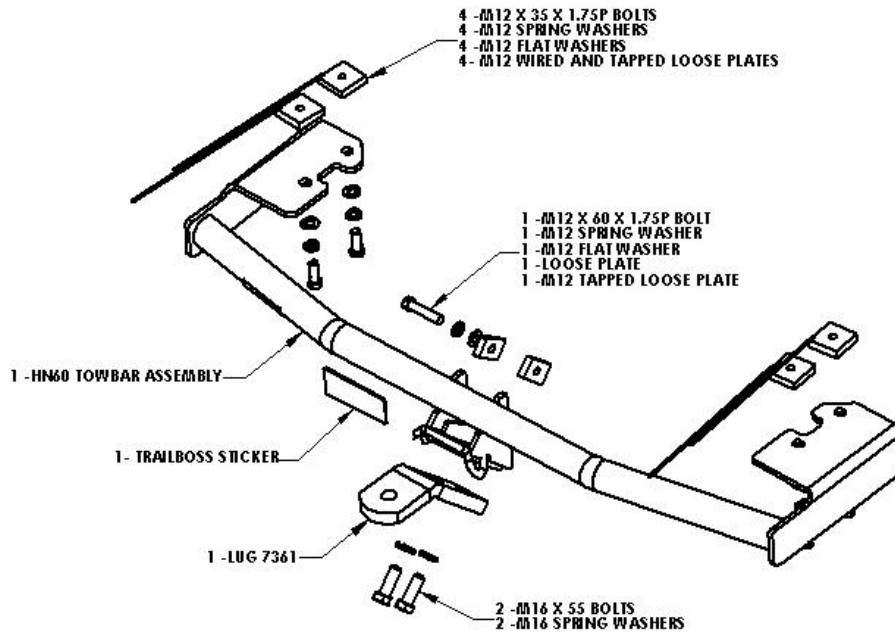
	<b>Nm</b>
M6	9.5
M8	21.7
M10	43.4
M12	77.3
M16	189.8

**FOR TOWING PURPOSES ONLY**  
For towing capacity details please refer to vehicle owner's manual or to the manufacturer. Overloading can void your warranties.

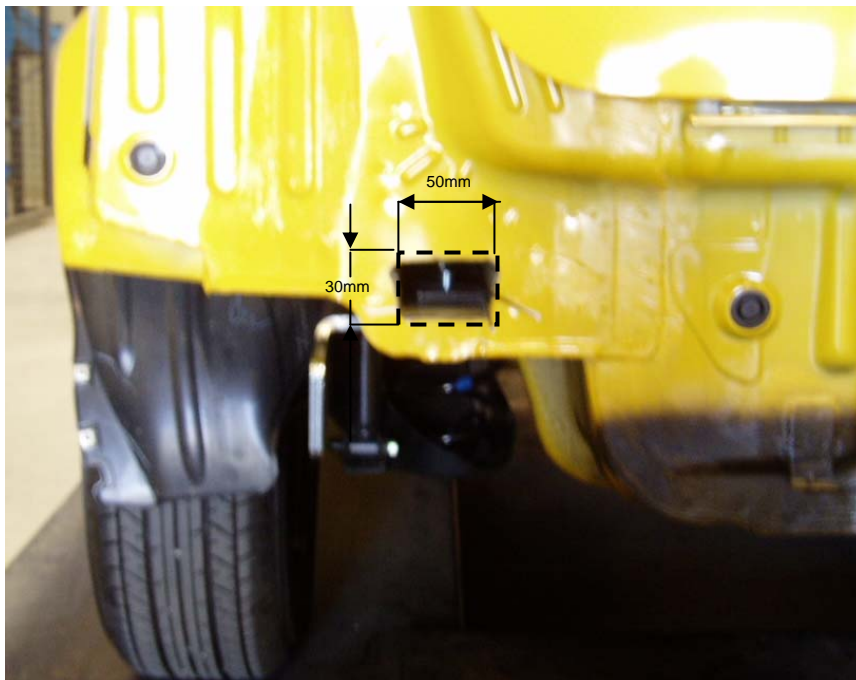


# TRAILBOSS

Towbar Fitting Instructions  
To Suit HONDA JAZZ MY06 03-2006-ON  
Part Number HN60  
Rating 1000Kg

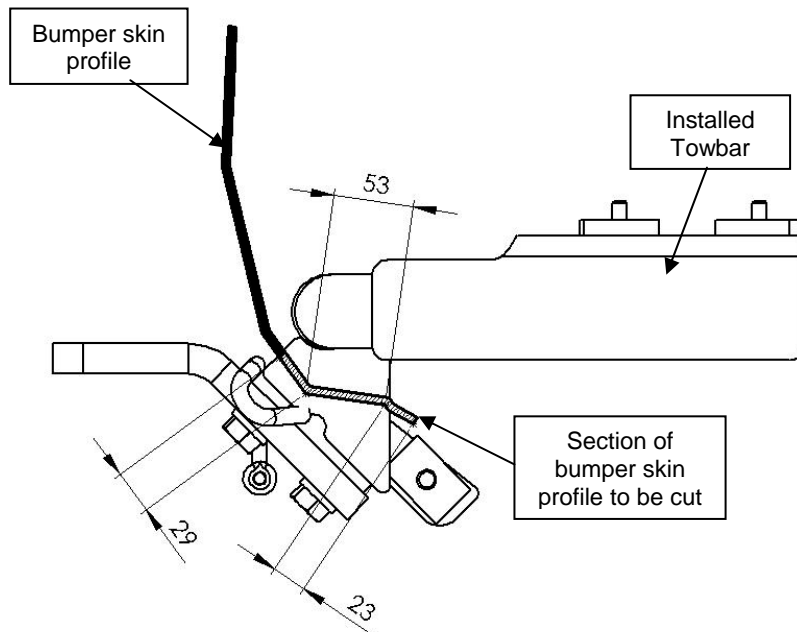


**Figure-1** Final Towbar assembly

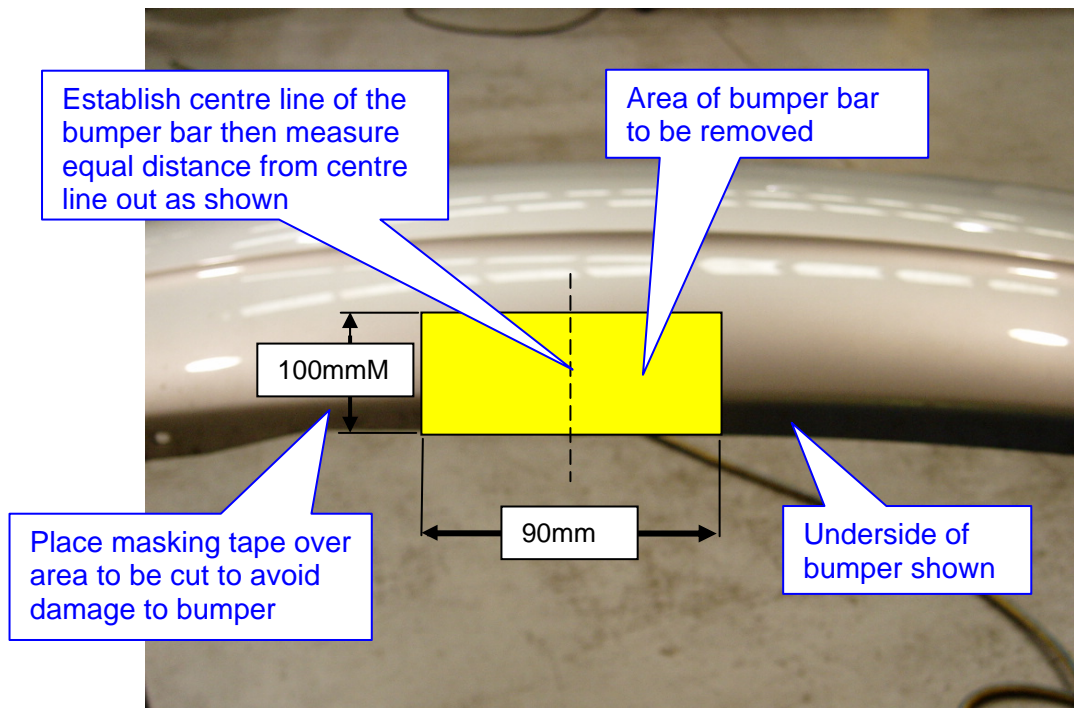


**Figure-2** Photo of rear panel cut out

Towbar Fitting Instructions  
To Suit HONDA JAZZ MY06 03-2006-ON  
Part Number HN60  
Rating 1000Kg



**Figure-3** Profile view of bumper cut. Note all dimension are in mm



**Figure-4** Front view of bumper cut