



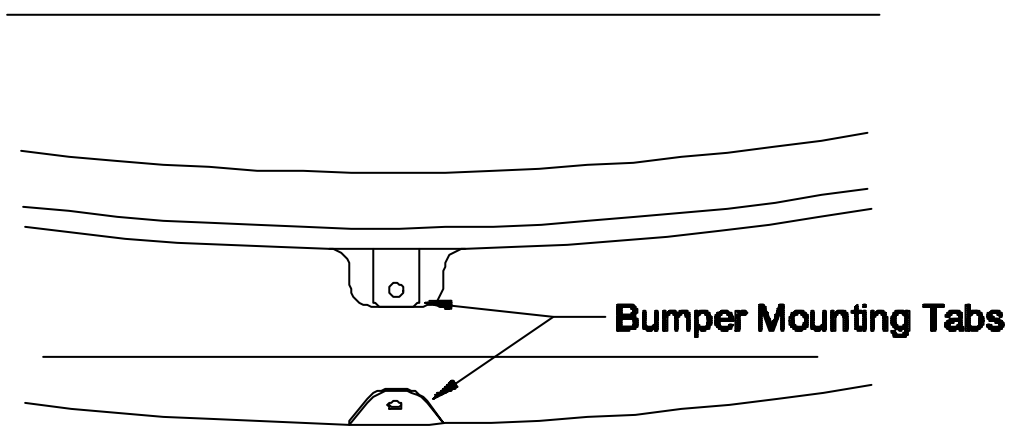
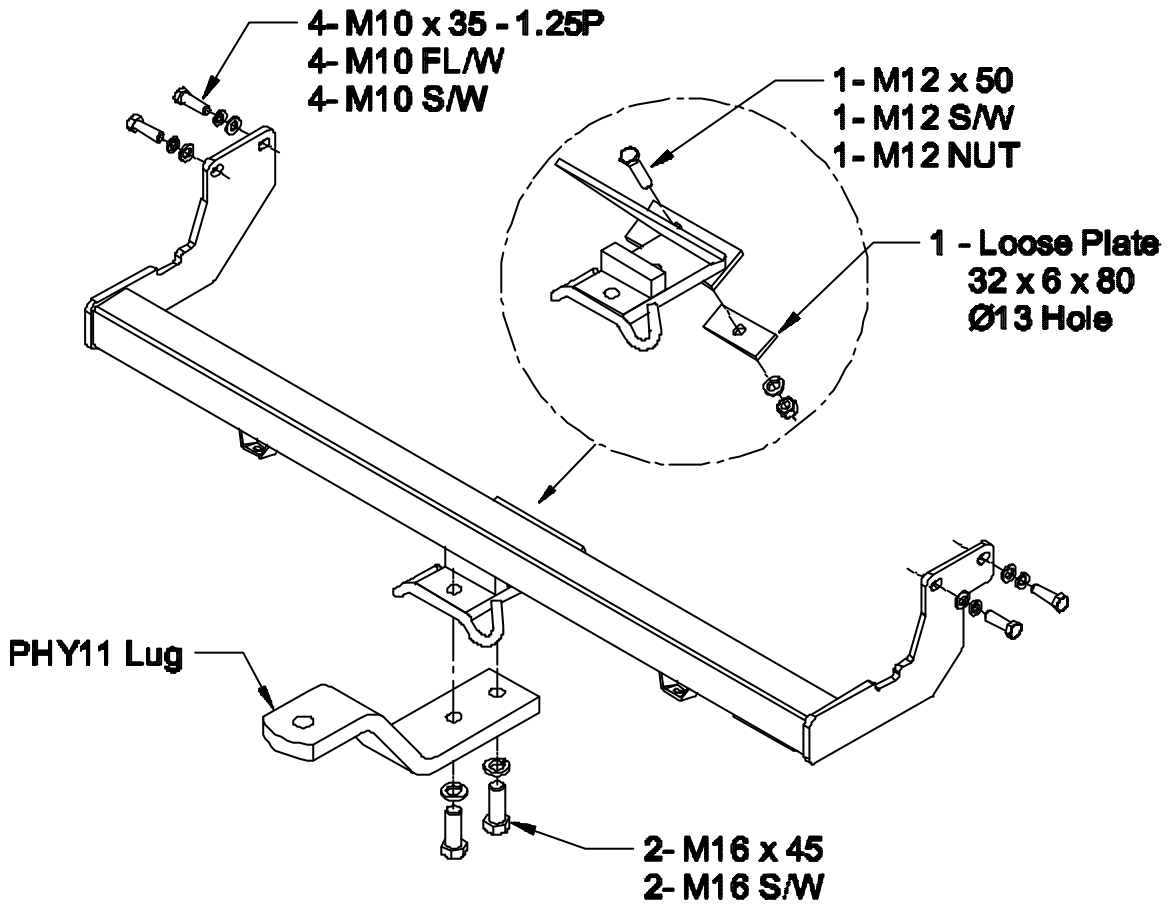
Towbar Fitting Instructions
To Suit HYUNDAI SONATA 8/98-ON
Part Number HY11
Rating 1200Kg

1. Ensure all hardware items have been included.
2. From under vehicle remove and discard three impact beam to bumper bar support brackets.
3. Remove bumper bar.
4. Refer to sketch for impact beam and bumper bar cut off section.
5. Lift towbar into position, sitting rear mounting plate on top face of vehicle towing eye.
6. Fit M12x50 bolt, loose plate, spring washers and nut loosely.
7. Reposition bumper bar and fit M10x35 bolts and spring washers through towbar side plates, chassis rails and bumper bar irons.
8. Square up towbar to vehicle and tighten all bolts to torque listing below.
9. Fit remaining bolts and screws to bumper bar.
10. From under vehicle fit two original bumper bar clips to bottom face of towbar cross tube.

RECOMMENDED ASSEMBLY TORQUE LISTING

<u>Diameter</u>	<u>Grade 8.8 Bolt</u>
	<u>Nm</u>
M6	9.5
M8	21.7
M10	43.4
M12	77.3
M14	121.0
M16	189.8

Towbar Fitting Instructions
To Suit HYUNDAI SONATA 8/98-ON
Part Number HY11
Rating 1200Kg



Cut off centre tabs from bumper bar & impact beam.