

# TRAILBOSS

Towbar Fitting Instructions  
To Suit **HYUNDAI ACCENT HATCH (RB) MY12** on  
Part Number **QTHY258L**  
Rating **900 kg**

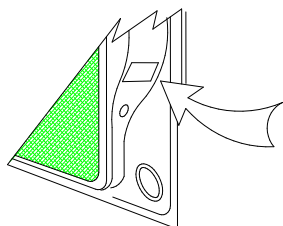
PLACE THESE INSTRUCTIONS IN THE VEHICLE'S GLOVEBOX AFTER INSTALLATION IS COMPLETE

## WARNING:

1. Do not, drill, cut, weld or otherwise modify the tow bar.
2. If you are using electric welding on a motor vehicle, **always** check that the vehicle is not equipped with electronic engine or instrument management equipment. Failure to do so could **destroy** any onboard computers. If in doubt, check with the vehicle's manufacturer.
3. The high tensile fasteners supplied with this product were used to achieve the specified rating. If replacement is required ensure that fasteners of the same rating & quality are used. Contact an authorised **Trailboss** dealer if further information is required.

## General:

1. Ensure all hardware items have been included refer to assembly diagram.
2. It is recommended that the instructions are read through and completely understood before making any attempt to fit this product.
3. Be wary of any changes to vehicle designs or other accessories that may conflict with the installation of this product.
4. Before drilling ensure that the area is clear of fuel, electrical & other components.
5. All holes drilled into the body panels shall have all burrs & swarf removed then coated with a suitable rust preventative paint.
6. For vehicles that require the bumper to be cut. Ensure cut out area is in correct position on the vehicle prior to cutting the bumper.
7. The high tensile fasteners supplied with this product were used to achieve the specified rating. If replacement is required ensure that fasteners of the same rating & quality are used. Contact an authorized **Trailboss** dealer if further information is required.
8. Ensure that all hardware is fastened to torque list below check fasteners on regular basis.
9. Tow bar load rating sticker provided with this product shall be conspicuously located on inside rear end of the driver's door. **(See diagram below)**.
10. Trailboss recommends that you check your tow ball to ensure that it complies with the Australian standards **AS 4177.2**.
11. **PLEASE NOTE:** It is advised to remove your lug or tbm when not actually towing so as to produce a clear view of the vehicles registration plate if obscured, and to also provide maximum available departure angle
12. Pull Pin must be fit in down position.



Place load rating sticker  
inside driver's door here

**FOR TRAILER TOWING PURPOSES ONLY**  
For towing capacity details please refer to vehicle owner's manual or to the manufacturer. Overloading can void your warranties.

### RECOMMENDED ASSEMBLY TORQUE LISTING

Diameter	Grade 8.8 Bolt
M6	9.5 Nm
M8	21.7 Nm
M10	43.4 Nm
M12	77.3Nm
M14	146 Nm
M16	189.8 Nm

## Tow bar Maintenance and Care.

Trailboss recommends that bolt torque's, as listed below, are routinely and regularly inspected and checked for correct tension. Replace any worn or defective parts.

We recommended to remove Tow Ball Mounts (TBM's, tongues or lugs) when not being used for any considerable length of time.

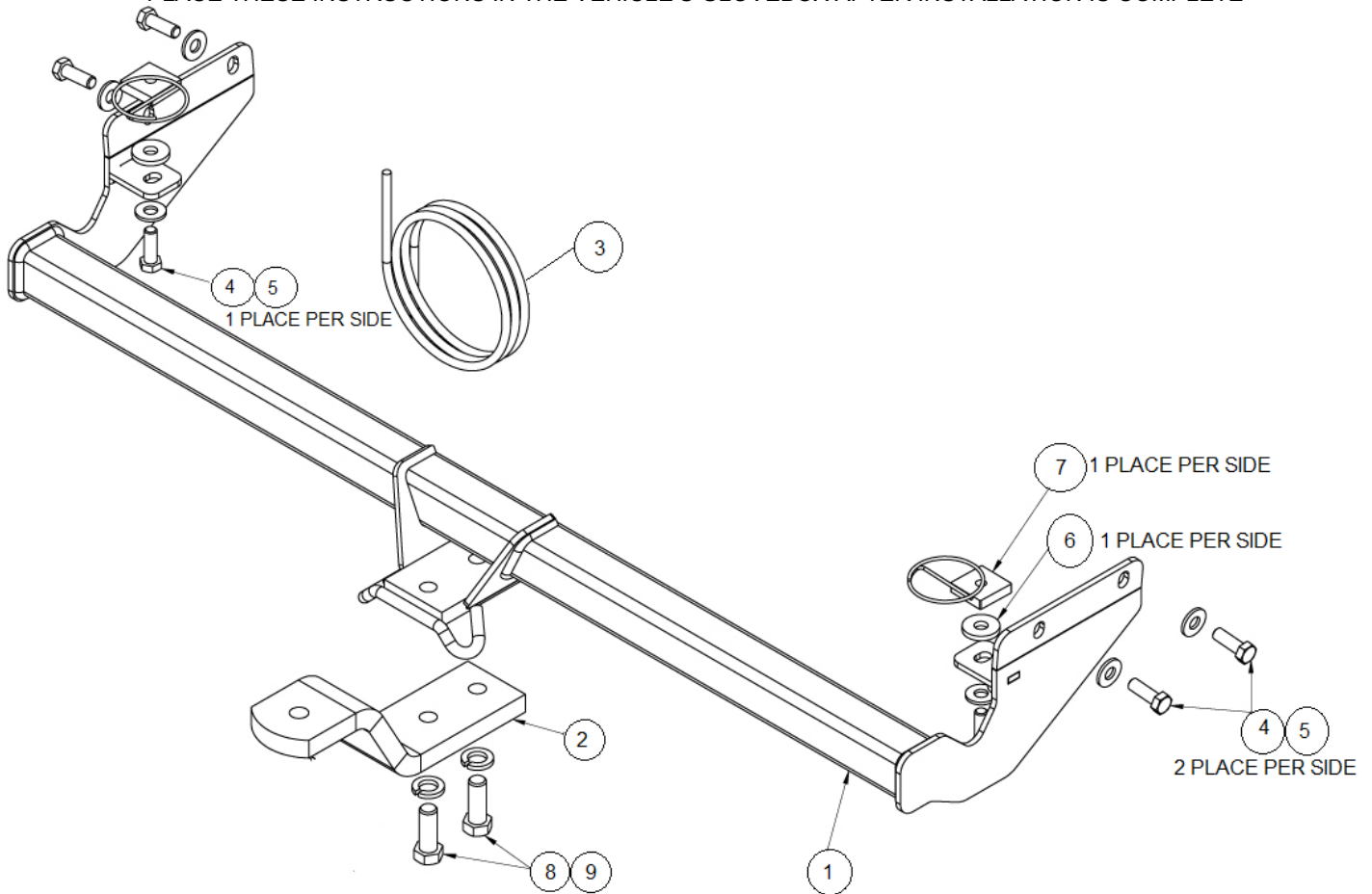
So as to avoid injury, when not towing it is suggested that the tongue, Pull Pin and R-clip are removed then stored in a safe, clean and dry place, away from excessive moisture.

Hitch Pull Pins and spring "R" clips are regularly checked for proper installation. Replace any worn or defective parts.

# TRAILBOSS

Towbar Fitting Instructions  
 To Suit **HYUNDAI ACCENT HATCH (RB) MY12** on  
 Part Number **QTHY258L**  
 Rating **900 kg**

PLACE THESE INSTRUCTIONS IN THE VEHICLE'S GLOVEBOX AFTER INSTALLATION IS COMPLETE



ITEM No.	DESCRIPTION	QTY
1	TOWBAR	1
2	TOWBALL LUG	1
3	WIRING LOOM	1
4	M12 X 35 X 1.25P BOLT	6
5	½ x 1-1/8 x 1/8 FT WASHER	6
6	5 MM ROUND SPACER	2
7	NUT PLATE AND WIRE	2
8	M16 X 45 X 2.0P BOLT	2
9	M16 SPRING WASHER	2

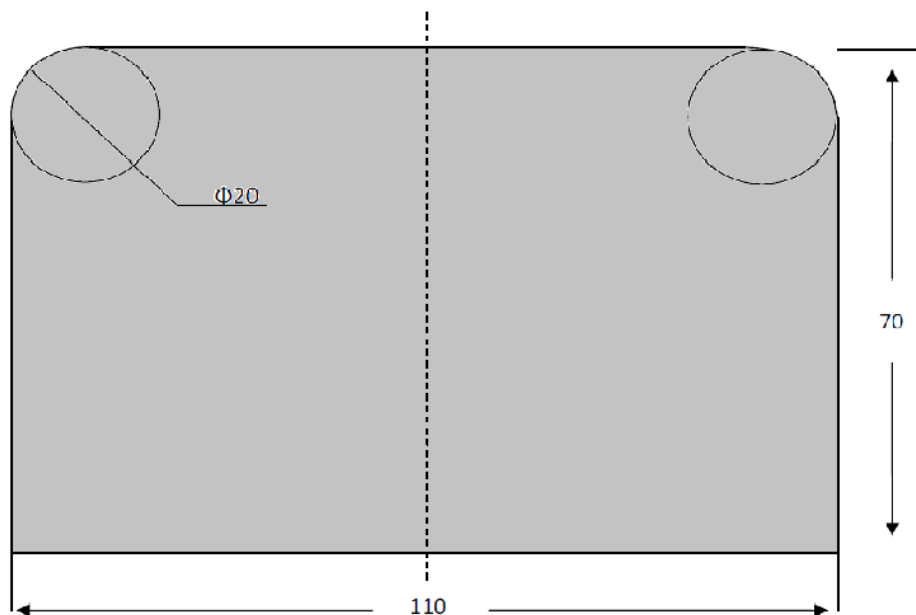


Towbar Fitting Instructions  
To Suit **HYUNDAI ACCENT HATCH (RB) MY12** on  
Part Number **QTHY258L**  
Rating **900 kg**

PLACE THESE INSTRUCTIONS IN THE VEHICLE'S GLOVEBOX AFTER INSTALLATION IS COMPLETE

1. Dislodge both Tail lights by removing four Screws each Side.
2. Disconnect Rear Globe connectors located behind Grommet in each Tail light Cavity.
3. Remove one Screw and one Scrivet from inside Tail Light Cavities.
4. Remove four Screws from inside each Rear Wheel Arch.
5. Remove two Scrivets from Underneath Bumper.
6. Remove two bolts from inside of Rear Chassis Panel on each side. Remove Grommet from Chassis opening.
7. With two people, dislodge rear Bumper and disconnect wiring connectors. Place Bumper in a safe place.
8. Offer Towbar to Vehicle and loosely attach by using four M12 Bolts (Item4) and four M12 Washers (Item5) into threaded holes of Chassis Rails.
9. Insert the two round Spacers (Item6) in between Towbar Side and Chassis Rail .Loosely Fasten two M12 Bolts (Item5) from below and threaded Nut plates (Item7) through rail opening.
10. Fasten to Torque Specifications listed on page1.
11. Cut out Bumper as shown below. Align Central line using number Plate mounts and arrows with Bumper edge.
12. Reattach Bumper and Tail Lights using steps 1-7 in reverse.

**IMAGE NOT TO SCALE**



**IMAGE NOT TO SCALE**



Wiring Loom Fitting Instructions  
To Suit Hyundai Accent MY12  
Part Number 100711-WL

**Wiring Loom Installation Instructions**

**Hyundai Accent MY12  
Part No: 100711-WL**

**Tail Harness Length Required: 1200mm**

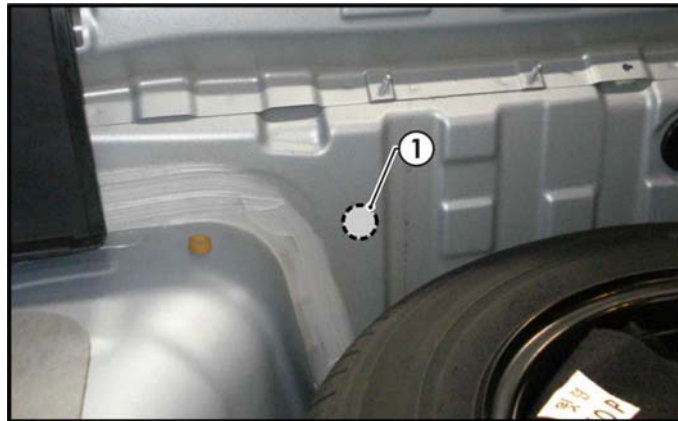
**Wiring Loom Installation Time: Approx 30 Mins**

## Wiring Loom Fitting Instructions To Suit Hyundai Accent MY12 Part Number 100711-WL

1. Inside the luggage compartment, remove the parcel shelf and the floor carpet cover.
2. Remove the rear luggage compartment trim by pulling in an upwards direction.
3. On the LHS of the luggage compartment, remove the two fasteners.
4. Dislodge the luggage compartment trim towards the centre of the vehicle and disconnect the light connector.

**Repeat for the RHS.**

5. On the rear luggage compartment sheet metal, drill out a Ø30mm hole (1).



6. File any rough or sharp edges.
7. On the LHS of the luggage compartment, disconnect the tail light connector and connect the trailer patch (100711-WL) connectors in between.
8. Route the trailer harness along the rear of the luggage compartment towards the RHS of the vehicle.
9. On the RHS of the luggage compartment, disconnect the tail light connector and connect the trailer patch connectors in between.
10. Mount the trailer socket to the tow bar mounting bracket using M4 fasteners (not supplied).
11. Route the tail harness across the tow bar towards the RHS of the vehicle and up through the previously drilled out hole.



Wiring Loom Fitting Instructions  
To Suit Hyundai Accent MY12  
Part Number 100711-WL

12. Ensure the tail harness grommet is seated correctly and secure in place using a cable tie (not supplied).
13. Connect the tail harness (tail length 1200mm) 8-way connector to the trailer patch mating 8-way connector.
14. Test the trailer patch function using a light board or multi meter.
15. Secure all harnesses using cable ties (not supplied).
16. Re-fit all removed parts and secure all fasteners, ensuring there are no squeaks or rattles.
17. Place the fitting instructions in the glove box after fitment.