

TRAILBOSS

Towbar Fitting Instructions
To Suit **HYUNDAI ACCENT SEDAN 2012 - ON**
Part Number **HY31L**
Rating **1000/100 kg**

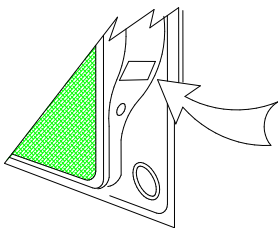
PLACE THESE INSTRUCTIONS IN THE VEHICLE'S GLOVEBOX AFTER INSTALLATION IS COMPLETED

WARNING:

1. Do not, drill, cut, weld or otherwise modify the tow bar.
2. If you are using electric welding on a motor vehicle, **always** check that the vehicle is not equipped with electronic engine or instrument management equipment. Failure to do so could **destroy** any onboard computers. If in doubt, check with the vehicle's manufacturer.
3. The high tensile fasteners supplied with this product were used to achieve the specified rating. If replacement is required ensure that fasteners of the same rating & quality are used. Contact an authorised **Trailboss** dealer if further information is required.

General:

1. Ensure all hardware items have been included refer to assembly diagram.
2. It is recommended that the instructions are read through and completely understood before making any attempt to fit this product.
3. Be wary of any changes to vehicle designs or other accessories that may conflict with the installation of this product.
4. Before drilling ensure that the area is clear of fuel, electrical & other components.
5. All holes drilled into the body panels shall have all burrs & swarf removed then coated with a suitable rust preventative paint.
6. For vehicles that require the bumper to be cut. Ensure cut out area is in correct position on the vehicle prior to cutting the bumper.
7. The high tensile fasteners supplied with this product were used to achieve the specified rating. If replacement is required ensure that fasteners of the same rating & quality are used. Contact an authorized **Trailboss** dealer if further information is required.
8. Ensure that all hardware is fastened to torque list below check fasteners on regular basis.
9. Tow bar load rating sticker provided with this product shall be conspicuously located on inside rear end of the driver's door. **(See diagram below)**.
10. Trailboss recommends that you check your tow ball to ensure that it complies with the Australian standards **AS 4177.2**.
11. **PLEASE NOTE:** It is advised to remove your lug or tbm when not actually towing so as to produce a clear view of the vehicles registration plate if obscured, and to also provide maximum available departure angle
12. Pull Pin must be fit in down position.



Place load rating sticker
inside driver's door here

FOR TRAILER TOWING PURPOSES ONLY
For towing capacity details please refer to vehicle owner's manual or to the manufacturer. Overloading can void your warranties.

RECOMMENDED ASSEMBLY TORQUE LISTING

<u>Diameter</u>	<u>Grade 8.8 Bolt</u>
M6	9.5 Nm
M8	21.7 Nm
M10	43.4 Nm
M12	77.3Nm
M14	146 Nm
M16	189.8 Nm

Tow bar Maintenance and Care.

Trailboss recommends that bolt torque's, as listed below, are routinely and regularly inspected and checked for correct tension. Replace any worn or defective parts.

We recommended to remove Tow Ball Mounts (TBM's, tongues or lugs) when not being used for any considerable length of time.

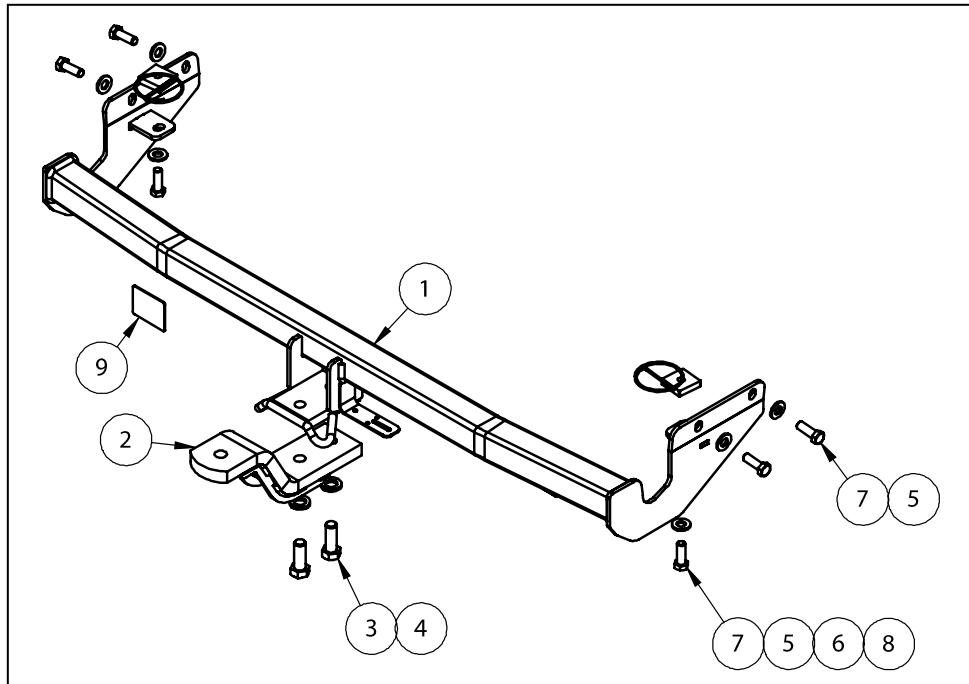
So as to avoid injury, when not towing it is suggested that the tongue, Pull Pin and R-clip are removed then stored in a safe, clean and dry place, away from excessive moisture.

TRAILBOSS

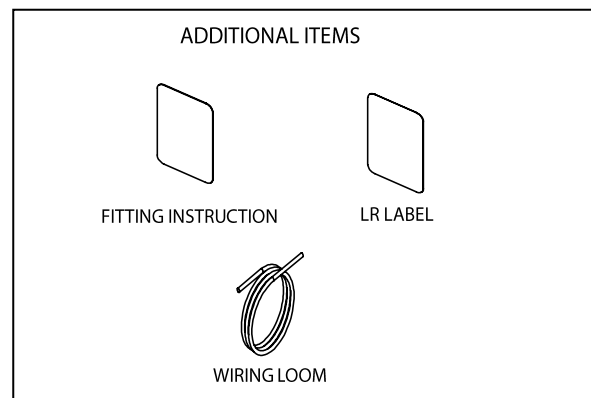
Towbar Fitting Instructions
 To Suit **HYUNDAI ACCENT SEDAN 2012 - ON**
 Part Number **HY31L**
 Rating **1000/100 kg**

PLACE THESE INSTRUCTIONS IN THE VEHICLE'S GLOVEBOX AFTER INSTALLATION IS COMPLETED

Hitch Pull Pins and spring "R" clips are regularly checked for proper installation. Replace any worn or defective parts.



QTY	DESCRIPTION	ITEM NO
1	WELDED ASSEMBLY	1
1	LUG ASSEMBLY	2
2	M16x4x 2.0P BOLT	3
2	M16 SPRING WASHER	4
6	1/2" FLAT WASHER	5
2	ROUND SPACER	6
6	M12x35x1.25P BOLT	7
2	TAPPED PLATE ON WIRE M12x1.25P	8
1	ACRYLIC COMPLAIANCE PLATE	9





Towbar Fitting Instructions
To Suit **HYUNDAI ACCENT SEDAN 2012 - ON**
Part Number **HY31L**
Rating **1000/100 kg**

PLACE THESE INSTRUCTIONS IN THE VEHICLE'S GLOVEBOX AFTER INSTALLATION IS COMPLETED

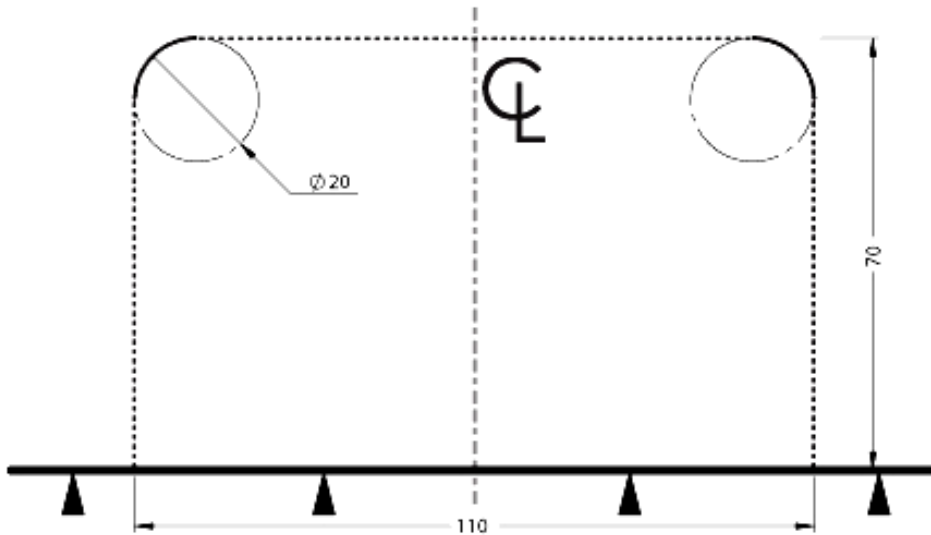
INSTRUCTION:

1. From inside Passenger-side Rear Wheel-Well; remove 4 Screws towards the rear of the vehicle.
Repeat for Driver-side.
2. Below the Wheel Well, remove 1x Scrivet connecting the Bumper to the rear wheel well.
Repeat for Drivers side
3. Remove 2 x Scrivets from underneath centre of Bumper.
4. Inside of Boot, lift rear flap to allow access to the rear Taillight
Disconnect the Plug and then remove 3 Screws securing the Taillight to the Chassis.
Place Tail light to side in safe place.
Repeat for Passenger side of vehicle.
5. In Tail light Cavity on Driver-side of vehicle; remove 1x Screw and 1x Scrivet.
Repeat for Passenger side of vehicle.
6. Remove two Bolts from inside of rear Chassis Panel on each side. Remove Grommet from Chassis opening.
Repeat for opposite side of vehicle
7. With two people, dislodge rear Bumper and disconnect wiring connectors.
Place Bumper in a safe place.
8. Offer Towbar to vehicle and loosely attach using four M12 Bolts and four M12 Washers into threaded holes on Chassis Rails.
9. Insert the two round Spacers in between Towbar Side arm and Chassis Rail.
Loosely fasten using two M12 Bolts and two M12 Washers from below and threaded Nut Plates through rail opening.
10. Fasten to torque specifications listed on Page 1. Note: Fasten vertical Bolts first.
11. Remove Crash Barrier from inside Bumper by disconnecting 2x Scrivets from upper tabs of Bumper.
Discard Barrier after removal.
12. Cut out Bumper from the centre and starting from the bottom. Make a cut 110mm wide and 70mm long.
Reassemble Bumper following steps 1 to 7 in reverse



Towbar Fitting Instructions
To Suit **HYUNDAI ACCENT SEDAN 2012 - ON**
Part Number **HY31L**
Rating **1000/100 kg**

PLACE THESE INSTRUCTIONS IN THE VEHICLE'S GLOVEBOX AFTER INSTALLATION IS COMPLETED



NOT TO SCALE



Wiring Loom Fitting Instructions
To Suit Hyundai Accent MY12
Part Number 100711-WL

Wiring Loom Installation Instructions

**Hyundai Accent MY12
Part No: 100711-WL**

Tail Harness Length Required: 1200mm

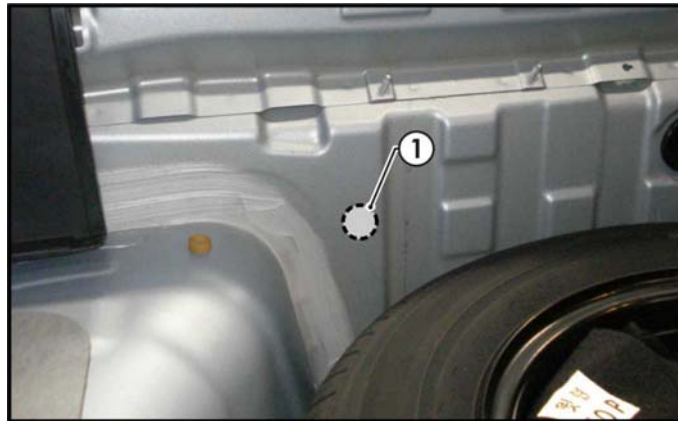
Wiring Loom Installation Time: Approx 30 Mins

Wiring Loom Fitting Instructions To Suit Hyundai Accent MY12 Part Number 100711-WL

1. Inside the luggage compartment, remove the parcel shelf and the floor carpet cover.
2. Remove the rear luggage compartment trim by pulling in an upwards direction.
3. On the LHS of the luggage compartment, remove the two fasteners.
4. Dislodge the luggage compartment trim towards the centre of the vehicle and disconnect the light connector.

Repeat for the RHS.

5. On the rear luggage compartment sheet metal, drill out a Ø30mm hole (1).



6. File any rough or sharp edges.
7. On the LHS of the luggage compartment, disconnect the tail light connector and connect the trailer patch (100711-WL) connectors in between.
8. Route the trailer harness along the rear of the luggage compartment towards the RHS of the vehicle.
9. On the RHS of the luggage compartment, disconnect the tail light connector and connect the trailer patch connectors in between.
10. Mount the trailer socket to the tow bar mounting bracket using M4 fasteners (not supplied).
11. Route the tail harness across the tow bar towards the RHS of the vehicle and up through the previously drilled out hole.



Wiring Loom Fitting Instructions
To Suit Hyundai Accent MY12
Part Number 100711-WL

12. Ensure the tail harness grommet is seated correctly and secure in place using a cable tie (not supplied).
13. Connect the tail harness (tail length 1200mm) 8-way connector to the trailer patch mating 8-way connector.
14. Test the trailer patch function using a light board or multi meter.
15. Secure all harnesses using cable ties (not supplied).
16. Re-fit all removed parts and secure all fasteners, ensuring there are no squeaks or rattles.
17. Place the fitting instructions in the glove box after fitment.