



Towbar Fitting Instructions
To Suit HYUNDAI SONATA 12/93-ON
Part Number HY6C
Rating 1200Kg

12/93-7/96

1. Ensure all hardware items have been included.
2. Remove rearmost rubber mount holding rear muffler.
3. Remove bumper bar mounting bolts from chassis sub frames (3 per side).
4. Whilst holding down rear muffler fit towbar into position, aligning with bumper bar mounting holes.
5. Refit existing bumper bar mounting bolts.
6. Tighten to recommended torque specifications listed below.
7. Refit exhaust muffler rubber mount.

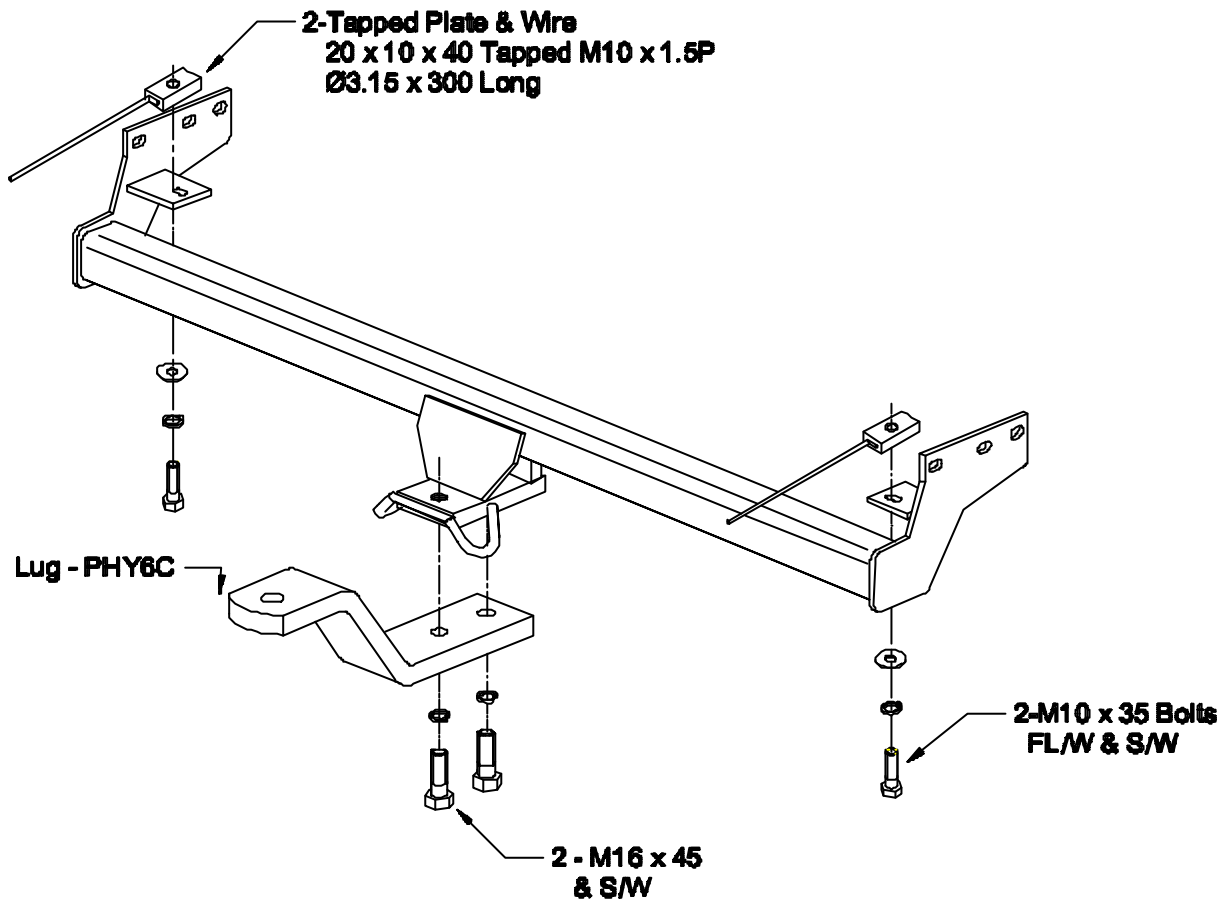
8/86-ON

1. Ensure all hardware items have been included.
2. Remove rear most rubber mount holding rear muffler.
3. Remove bumper bar mounting bolts from chassis sub frame (2 per side).
4. Cut bumper as per sketch.
5. Whilst holding down rear muffler fit towbar into position, aligning with bumper bar mounting holes.
6. Refit existing bumper bar mounting bolts.
7. Tighten to recommended torque specifications below.
8. Using remaining holes as guides, drill through first layer of bumper arm. Fit tapped plates on wire through holes forward of mounting tabs. Fit bolts as per drawing. (**NOTE:** Bending or wire on tapped plate required to clear obstruction inside sub frame.)
9. Tighten to torque specifications.
10. Refit exhaust.

RECOMMENDED ASSEMBLY TORQUE LISTING

<u>Diameter</u>	<u>Grade 8.8 Bolt</u>
	Nm
M6	9.5
M8	21.7
M10	43.4
M12	77.3
M14	121.0
M16	189.8

Towbar Fitting Instructions
To Suit HYUNDAI SONATA 12/93-ON
Part Number HY6C
Rating 1200Kg



Towbar Fitting Instructions
To Suit HYUNDAI SONATA 12/93-ON
Part Number HY6C
Rating 1200Kg

