



Towbar Fitting Instructions
To Suit KIA RIO 4 DOOR SEDAN 08-2005-ON
Part Number KM11
Rating 1100Kg

WARNING:

1. Do not, drill, cut, weld or otherwise modify the tow bar.
 2. If you are using electric welding on a motor vehicle, **always** check that the vehicle is not equipped with electronic engine or instrument management equipment. Failure to do so could **destroy** any onboard computers. If in doubt, check with the vehicle's manufacturer.
-
1. Ensure all hardware items have been included.
 2. Remove rear muffler from rearmost rubber hanger. Note do not remove rubber hanger from vehicle.
 3. Offer Towbar up to vehicle and attach to centre mount, loosely, with M12 bolt, loose plate, spring washer and flat washer.
 4. Align side mounts with captive nuts and fit M12 bolts, spring washers & Flat washers.
 5. Tighten all bolts to torque listing.
 6. Refit muffler to rubber hangers.
 7. Towbar rating sticker to be conspicuously located on the inside rear end of the driver's door. (See diagram below)

RECOMMENDED ASSEMBLY TORQUE LISTING

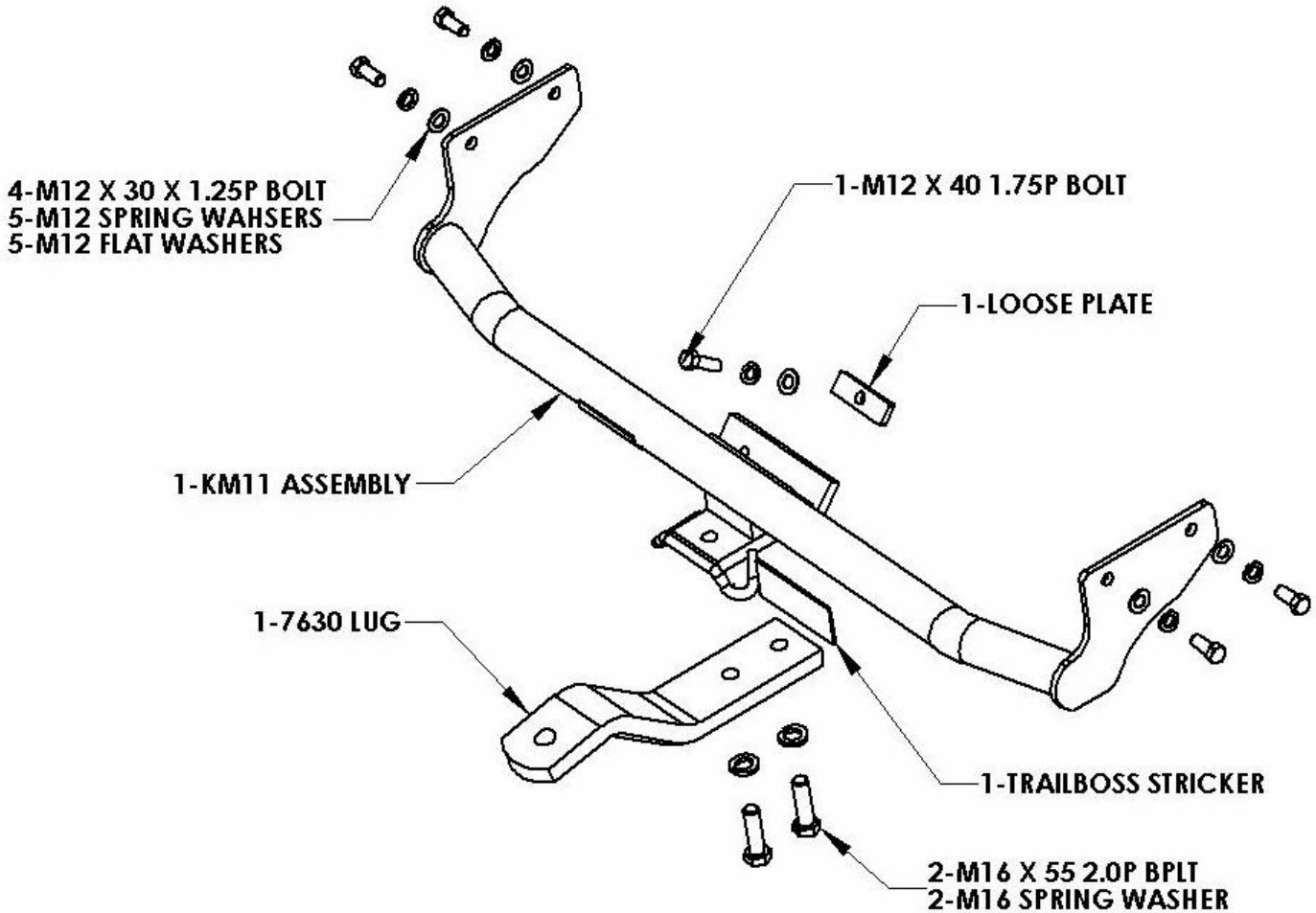
<u>Diameter</u>	<u>Grade 8.8 Bolt</u>
	Nm
M6	9.5
M8	21.7
M10	43.4
M12	77.3
M14	121.0
M16	189.8

FOR TOWING PURPOSES ONLY

For towing capacity details please refer to vehicle owner's manual or to the manufacturer. Overloading can void your warranties.

TRAILBOSS

Towbar Fitting Instructions
To Suit KIA RIO 4 DOOR SEDAN 08-2005-ON
Part Number KM11
Rating 1100Kg



PLEASE NOTE: You must remove the lug unless you are actually towing if it obscures your number plate. Failure to do so may result in a fine.