



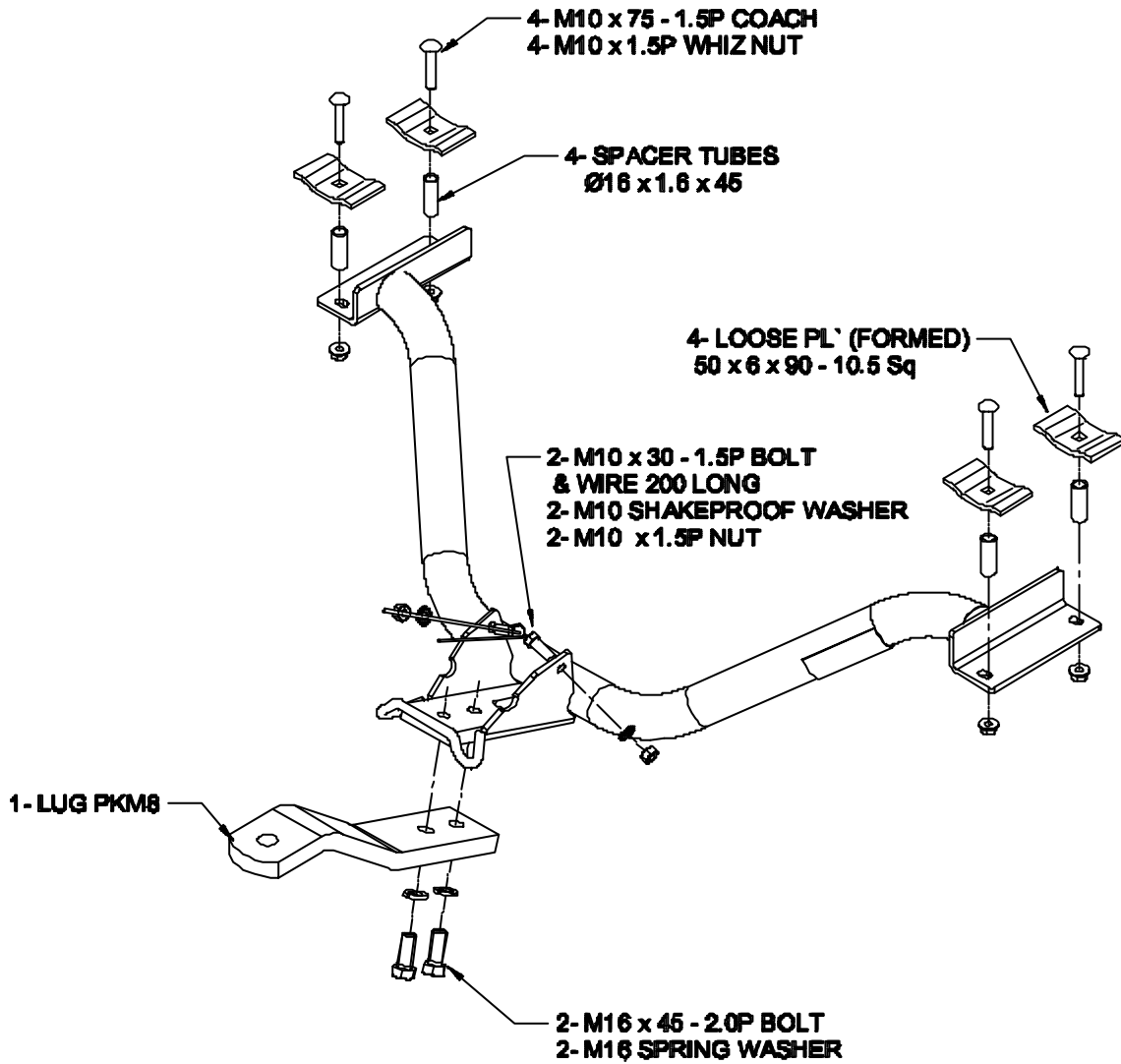
Towbar Fitting Instructions
To Suit KIA RIO SEDAN 7/2000-ON
Part Number KM8
Rating 1100Kg

1. Ensure all hardware items have been included.
2. Using rib in centre of bumper as guide cut as per diagram.
3. Remove rear muffler from two rear most rubber hangers.
4. Lift rear hatch carpet and support with hook.
5. Using diagrams A and B, measure 260mm forward from bumper mounting bolt and parallel with floor rib drill 17mm hole to align with hole on under side of sub frame.
6. Using diagrams A and B measure 120mm forward from bumper mounting bolt and parallel with floor rib, remove body deadner to expose holes.
7. Using holes as guides, drill squarely through bottom of sub frame.
8. Open top holes of step 7 to 17mm.
9. Place four loose plates to align with 17mm holes, mark around plates and remove body deadner.
10. Fit loose plates, bolts and spacer tubes as per diagram.
11. Fit towbar to bolts fitted and tighten to torque listing.
12. Using holes in centre mount as guides, drill out to 11mm.
13. Fit bolts on wire through hole forward of mount point and fit nuts and washers. Tighten to torque listing.
14. Refit muffler.

RECOMMENDED ASSEMBLY TORQUE LISTING

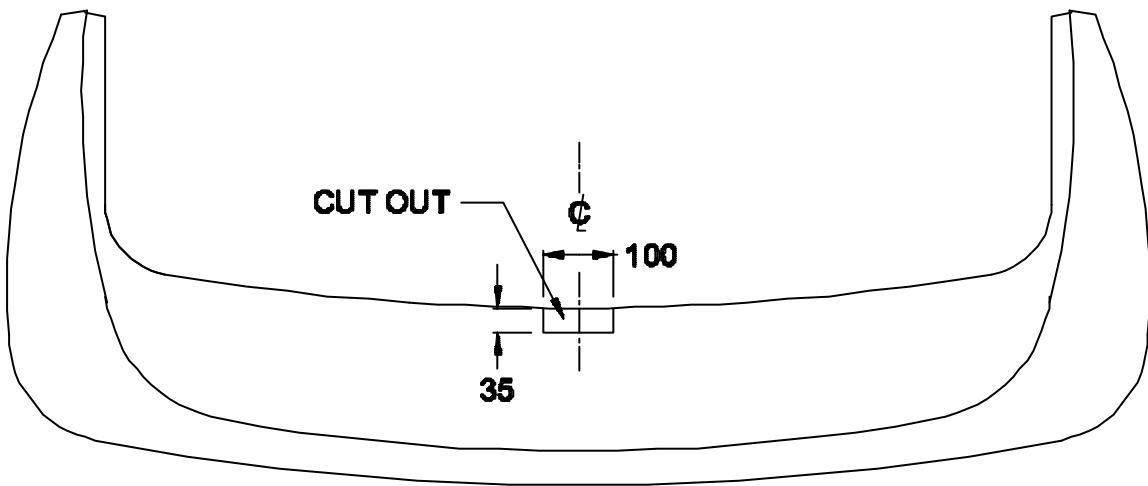
<u>Diameter</u>	<u>Grade 8.8 Bolt</u>
	Nm
M6	9.5
M8	21.7
M10	43.4
M12	77.3
M14	121.0
M16	189.8

Towbar Fitting Instructions
To Suit KIA RIO SEDAN 7/2000-ON
Part Number KM8
Rating 1100Kg

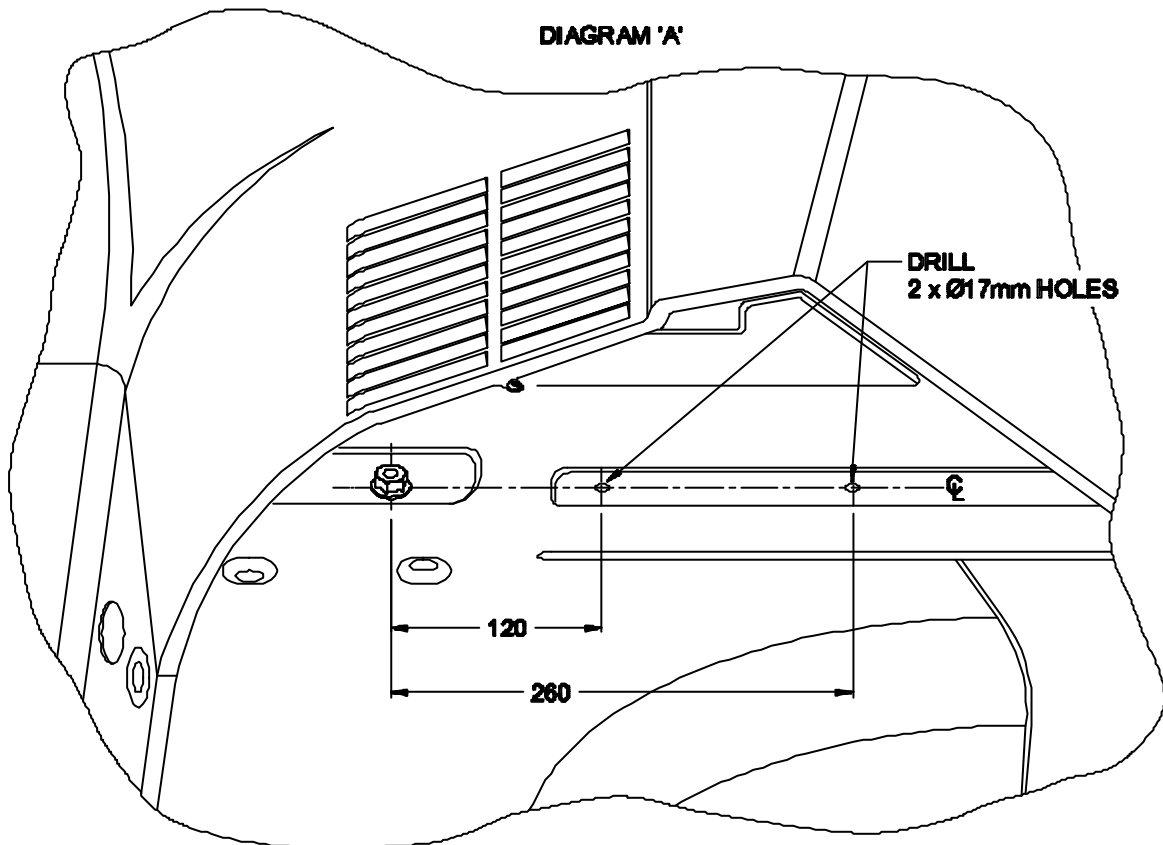




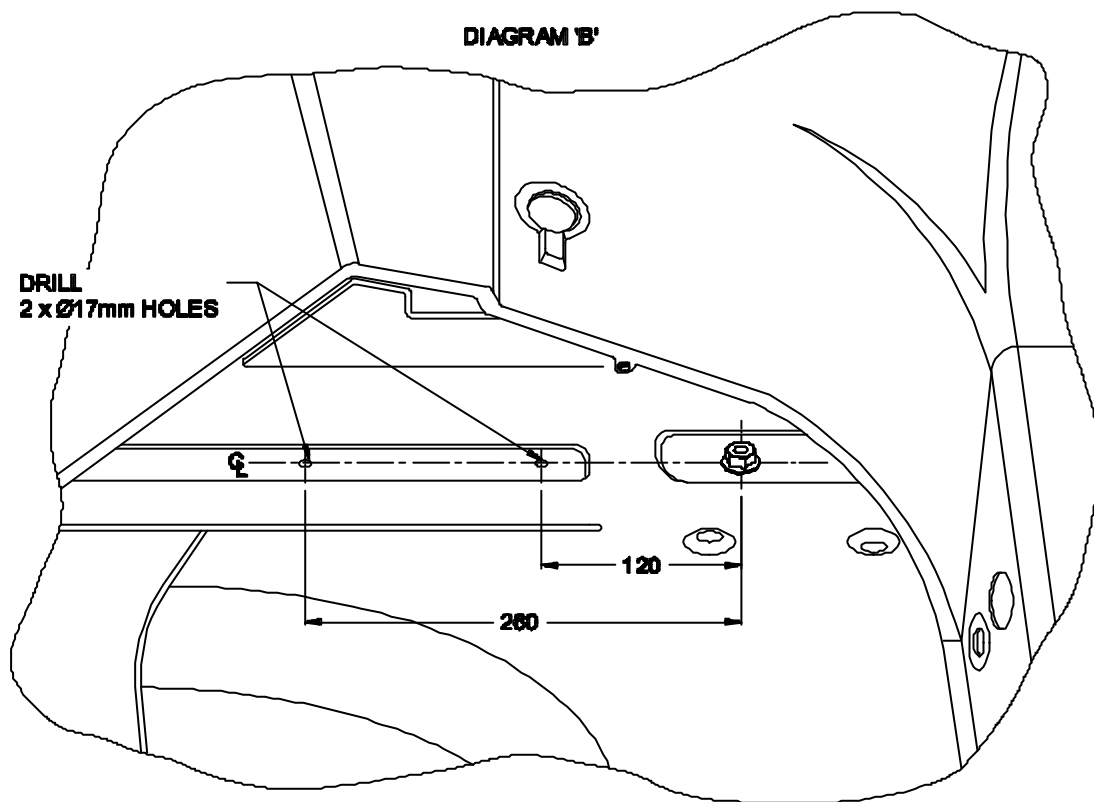
Towbar Fitting Instructions
To Suit KIA RIO SEDAN 7/2000-ON
Part Number KM8
Rating 1100Kg



Towbar Fitting Instructions
To Suit KIA RIO SEDAN 7/2000-ON
Part Number KM8
Rating 1100Kg



Towbar Fitting Instructions
To Suit KIA RIO SEDAN 7/2000-ON
Part Number KM8
Rating 1100Kg





Towbar Fitting Instructions
To Suit KIA RIO SEDAN 7/2000-ON
Part Number KM8
Rating 1100Kg